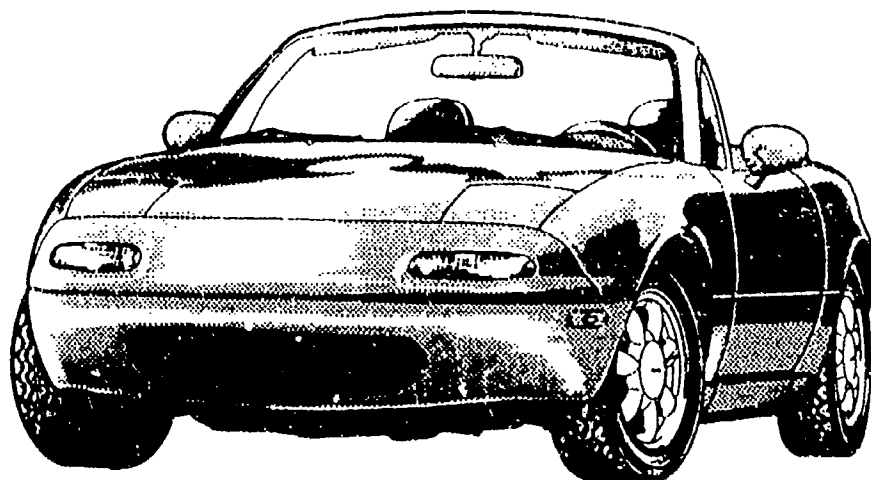


# Parts Catalog

Mazda MX-5 MIATA  
U.S.A.  
( '95 ▶ '96 )



NA35 • -600001-700000  
NA3 • -700001-800000

**MAZDA**

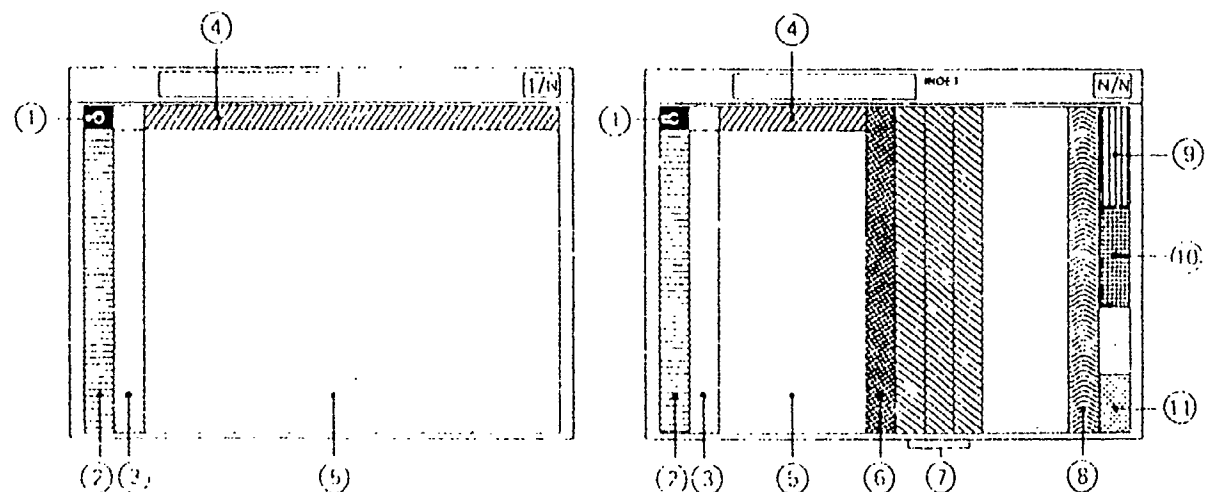
1997 Mazda Motor Corporation

Jul. '97 (FINAL)

Catalog No. AU-NA05-04

## LAYOUT OF CONTENTS / DISPOSITION TYPOGRAPHIQUE DE CONTENU / DISPOSICION DEL CONTENIDO / ANORDNUNG DES INHALTS

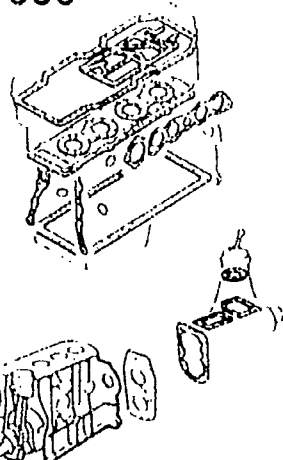
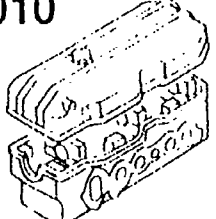
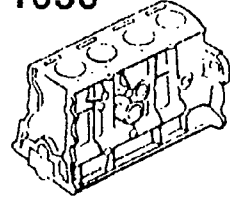
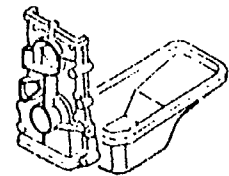
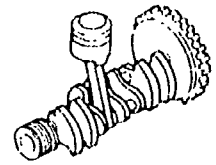
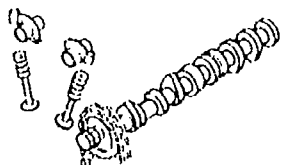
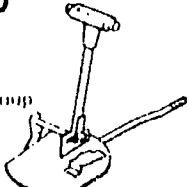
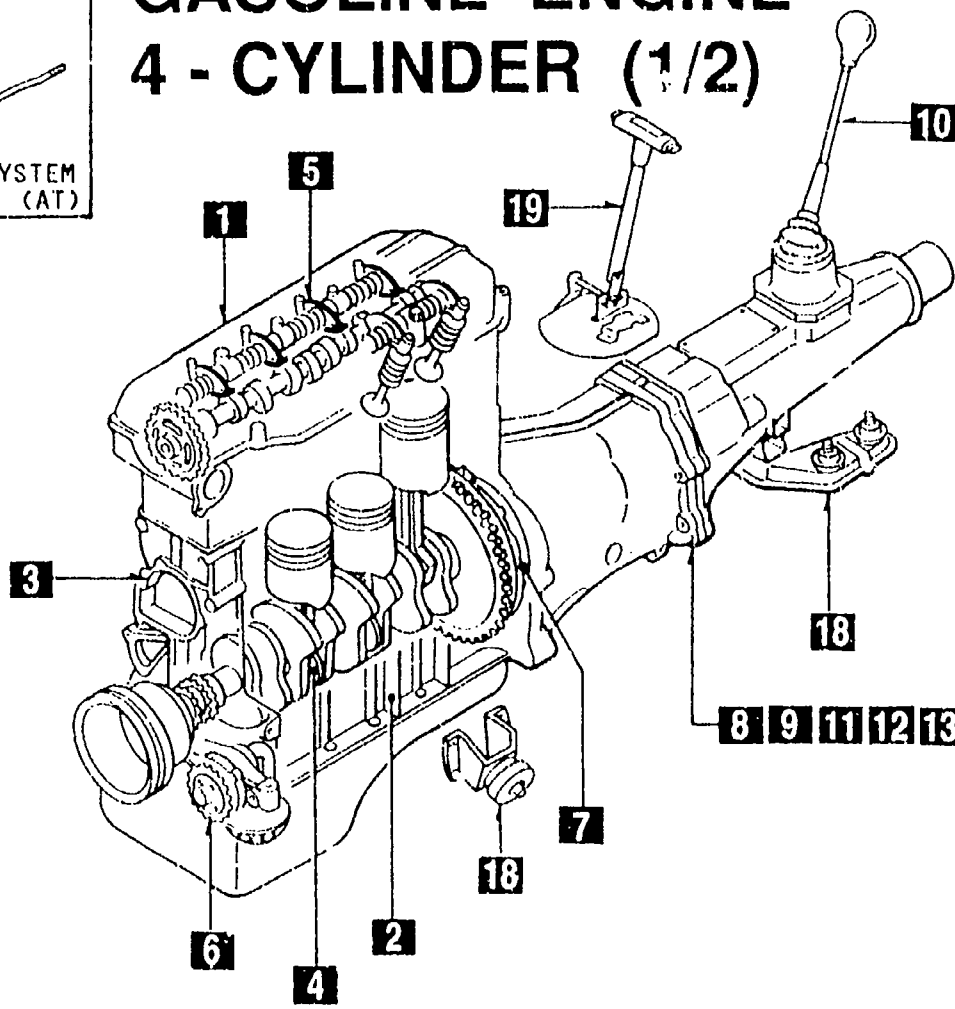
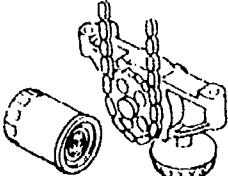
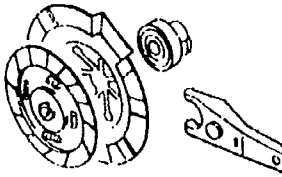
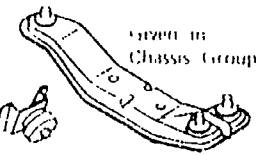
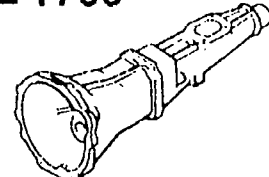
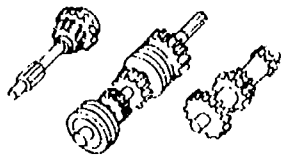

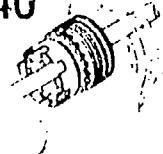


- The following is a typical example of the layout of contents on Mazda microfiche parts catalog.
- Voici un exemple typique de la disposition typographique de contenu dans les microfiches de catalogue des pièces de Mazda.
- El siguiente es un ejemplo típico de la disposición del contenido en una microficha del catálogo de repuestos de Mazda.
- Folgendes ist ein typisches Beispiel der Inhaltsanordnung des Mazda-Mikrofiche-Teilekatalogs.



Remark : The items listed under ④ have been deleted from each fiche since Dec. '93

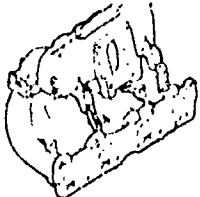
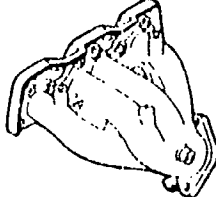
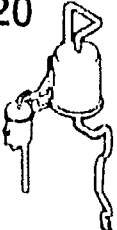
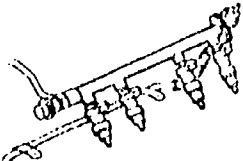
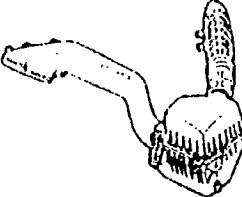
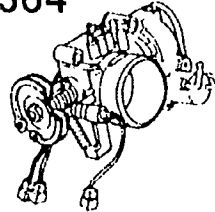
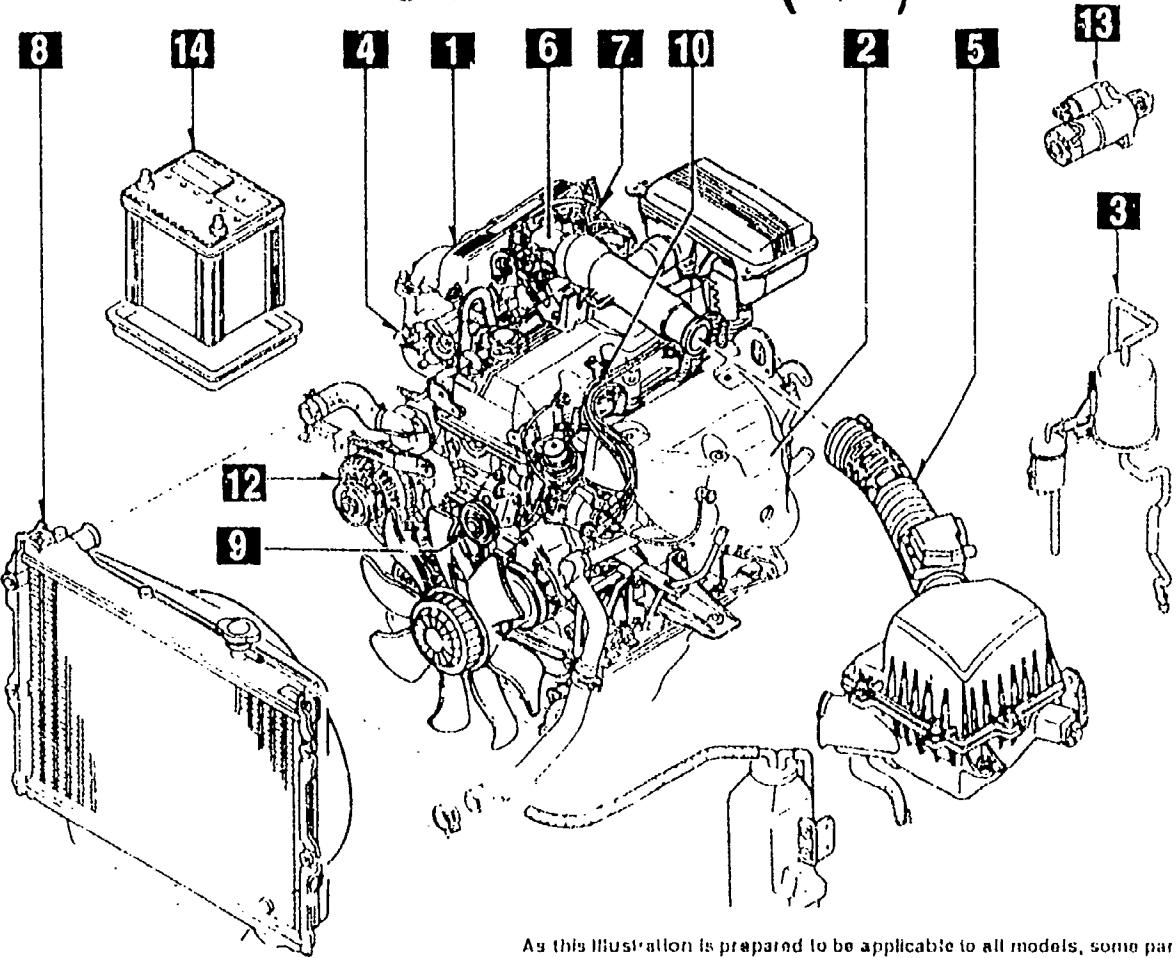
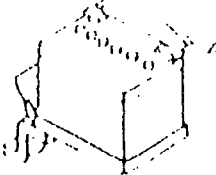
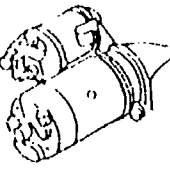
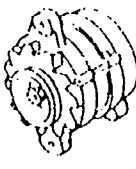
- |  |   |  |
|--|---|--|
| ① • Layout of contents<br>Disposition Typo-<br>graphique de Contenu<br>• Disposición del contenido<br>• Anordnung des Inhalts  | ② • Pictorial Index<br>• Index par Schémas<br>• Índice Gráfico<br>• Illustrierter Index                           | ③ • Master Section No. Index<br>• Index des Numéros des<br>Sections Totale<br>• Índice del Número de la<br>Sección Maestra<br>• Hauptabschnittsnummer-<br>Index          |
| <del>④ • Section No. Index for<br/>the Column<br/>• Index des Numéros des<br/>Sections pour les Colonnes<br/>• N° de la Sección para el<br/>Índice<br/>• Abschnittsnummer-Index<br/>für die Spalte</del> | ⑤ • Illustration & Text<br>• Illustrations et Textes<br>• Ilustración y Texto<br>• Abbildung und Text             | ⑥ • Part No. Index<br>• Index des Numéros des<br>Pièces<br>• Índice del N° de Pieza<br>• Teile-Nr. Index   |
| ⑦ • Alphabetical Index<br>• Index Alphabétique<br>• Índice Alfabético<br>• Alphabetischer Index  | ⑧ • Model Identification<br>• Identification des Modèles<br>• Identificación del Modelo<br>• Modell-Kennzeichnung | ⑨ • Vehicle Identification<br>System<br>• Système d'Identification de<br>Véhicule<br>• Sistema de Identificación de<br>Vehículo<br>• Fahrzeug-Identifikations-<br>system |

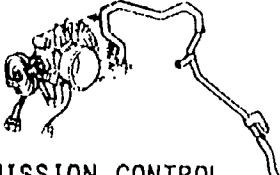
# PICTORIAL INDEX

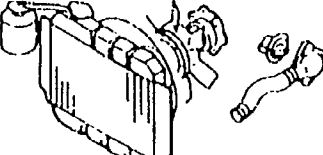
<p><b>1000</b></p>  <p style="text-align: center;">ENGINE &amp; GASKET SETS</p>	<p><b>1 1010</b></p>  <p style="text-align: center;">CYLINDER HEAD &amp; COVER</p>	<p><b>2 1030</b></p>  <p style="text-align: center;">CYLINDER BLOCK</p>	<p><b>3 1040</b></p>  <p style="text-align: center;">OIL PAN &amp; TIMING COVER</p>	<p><b>4 1100</b></p>  <p style="text-align: center;">PISTON, CRANKSHAFT &amp; FLYWHEEL</p>	<p><b>5 1200</b></p>  <p style="text-align: center;">VALVE SYSTEM</p>	
<p><b>19 4600</b></p> <p style="text-align: center;"><small>Given in Chassis Group</small></p>  <p style="text-align: center;">CHANGE CONTROL SYSTEM (AT)</p>	<h2 style="margin: 0;">GASOLINE ENGINE 4 - CYLINDER (1/2)</h2> 			<p><b>6 1400</b></p>  <p style="text-align: center;">OIL PUMP &amp; FILTER</p>	<p><b>7 1600</b></p>  <p style="text-align: center;">CLUTCH DISC &amp; COVER (MANUAL)</p>	
<p><b>18 3900</b></p> <p style="text-align: center;"><small>Given in Chassis Group</small></p>  <p style="text-align: center;">ENGINE &amp; TRANSMISSION MOUNTINGS</p>	<p style="text-align: center;"><b>8 9 11 12 13 14 15 16 17</b></p>			<p><b>8 1700</b></p>  <p style="text-align: center;">TRANSMISSION CASE (MANUAL)</p>	<p><b>9 1710</b></p>  <p style="text-align: center;">TRANSMISSION GEARS (MANUAL)</p>	
<p><b>17 1960</b></p>  <p style="text-align: center;">GASKET &amp; SEAL KIT (AUTOMATIC)</p>				<p><b>15 1940</b></p>  <p style="text-align: center;">GOVERNOR, LOW &amp; REVERSE PISTON (AUTOMATIC)</p>	<p><b>14 1930</b></p>  <p style="text-align: center;">CLUTCHES &amp; PLANETARY GEARS (AUTOMATIC)</p>	<p><b>13 1925</b></p>  <p style="text-align: center;">CONTROL VALVE (AUTOMATIC)</p>

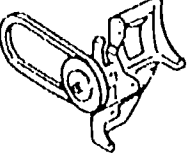
As this illustration is prepared to be applicable to all models, some parts are different in specification in parts listed in this parts Catalog.

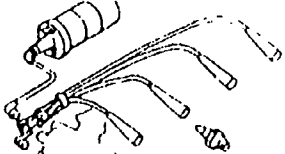
# PICTORIAL INDEX

<b>1</b> 1300  INLET MANIFOLD	<b>2</b> 1310  EXHAUST MANIFOLD	<b>3</b> 1320  FUEL SYSTEM	<b>4</b> 1325  FUEL DISTRIBUTOR	<b>5</b> 1330  AIR CLEANER	<b>6</b> 1364  THROTTLE BODY
<h2 style="margin: 0;">GASOLINE ENGINE 4 - CYLINDER (2/2)</h2>					
					
<small>As this illustration is prepared to be applicable to all models, some parts are different in specifications from parts listed in this parts Catalog.</small>					
<div style="display: flex; justify-content: space-between;"> <div style="width: 16.6%;"> <b>14</b> 1850                    BATTERY             </div> <div style="width: 16.6%;"> <b>13</b> 1840                    STARTER             </div> <div style="width: 16.6%;"> <b>12</b> 1830                    ALTERNATOR             </div> <div style="width: 16.6%;"></div> <div style="width: 16.6%;"></div> <div style="width: 16.6%;"></div> </div>					

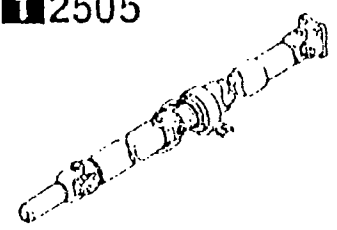
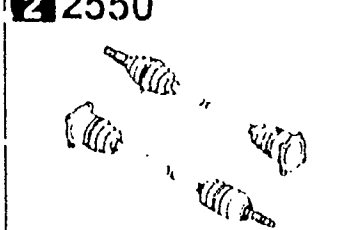
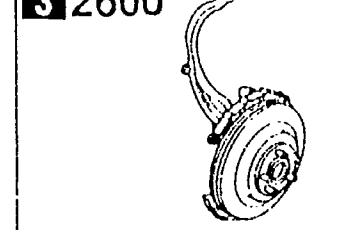

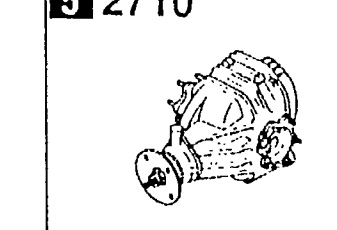


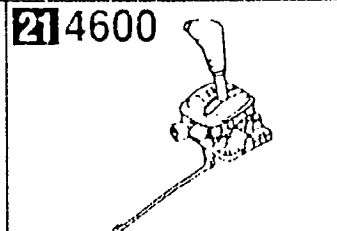
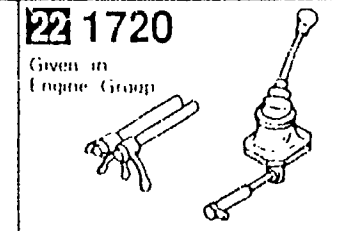
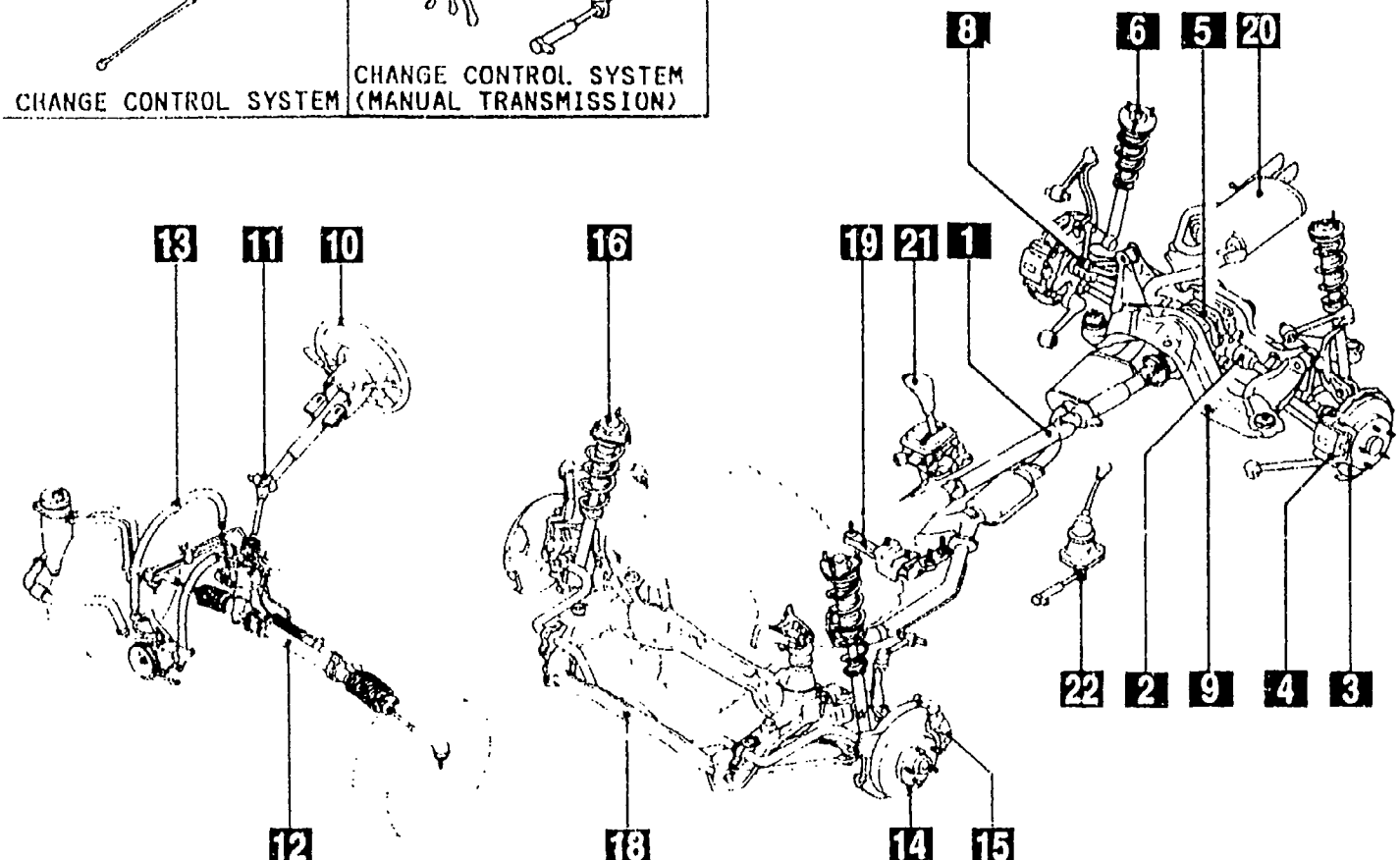
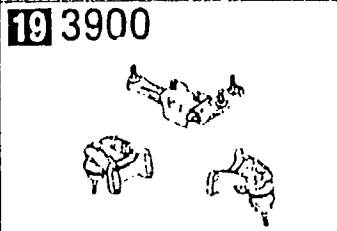
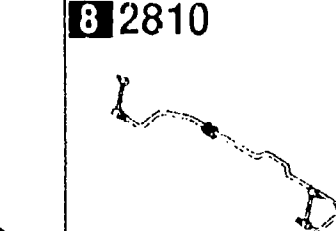

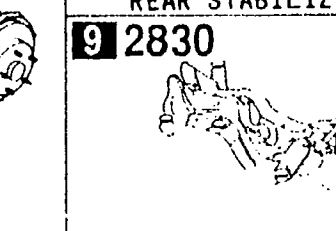
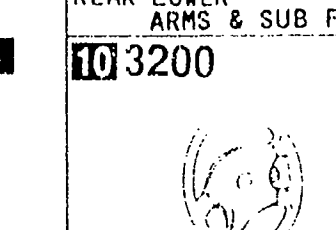

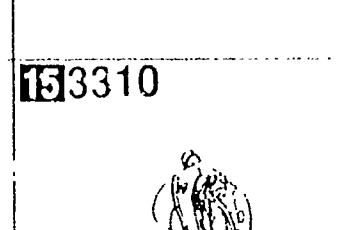
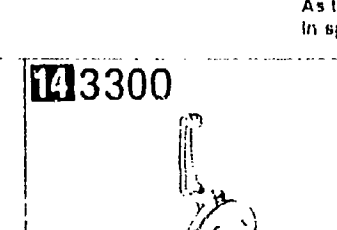
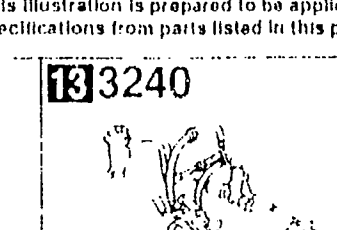
**7** 1370  
  
 EMISSION CONTROL SYSTEM (INLET SIDE)

**8** 1500  
  
 COOLING SYSTEM

**9** 1580  
  
 BRACKET, PULLEY & BELT

**10** 1800  
  
 ENGINE ELECTRICAL SYSTEM

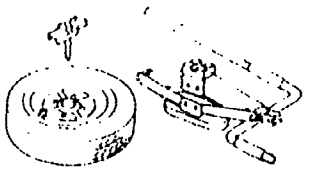
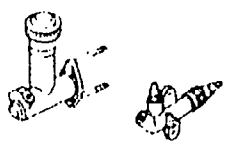
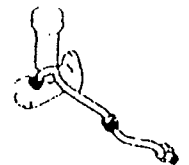
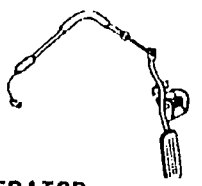
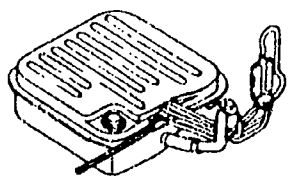
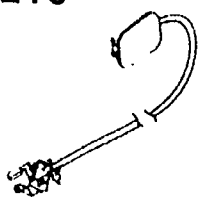
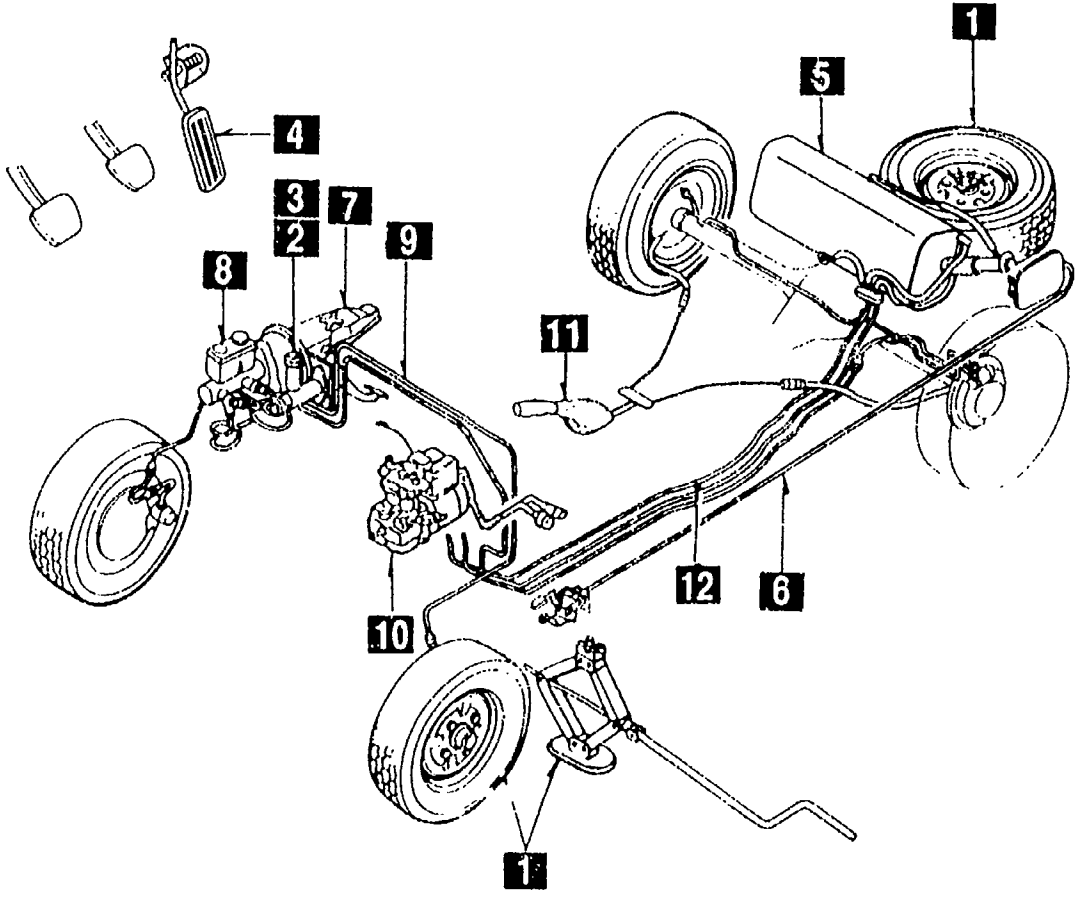
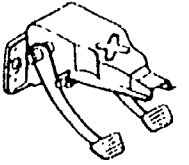
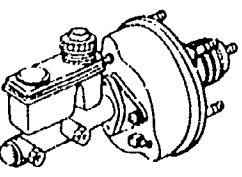

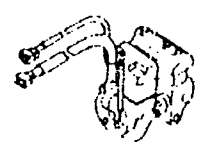


# PICTORIAL INDEX

<p><b>1</b> 2505</p>  <p>REAR PROPELLER SHAFT</p>	<p><b>2</b> 2550</p>  <p>REAR DRIVE SHAFT</p>	<p><b>3</b> 2600</p>  <p>REAR AXLE</p>	<p><b>4</b> 2610</p>  <p>REAR BRAKE MECHANISMS</p>	<p><b>5</b> 2710</p>  <p>REAR DIFFERENTIALS</p>	<p><b>6</b> 2800</p>  <p>REAR SUSPENSION MECHANISMS</p>	
<p><b>20</b> 4000</p>  <p>EXHAUST SYSTEM</p>	<p><b>21</b> 4600</p>  <p>CHANGE CONTROL SYSTEM</p>	<p><b>22</b> 1720 <small>Given in Engine Group</small></p>  <p>CHANGE CONTROL SYSTEM (MANUAL TRANSMISSION)</p>	<h2 style="margin: 0;">CHASSIS (1/2)</h2> 			<p><b>7</b></p>
<p><b>19</b> 3900</p>  <p>ENGINE &amp; T/MISSION MOUNTINGS</p>				<p><b>8</b> 2810</p>  <p>REAR STABILIZER</p>		
<p><b>18</b> 3410</p>  <p>CROSSMEMBER &amp; STABILIZER</p>				<p><b>9</b> 2830</p>  <p>REAR LOWER ARMS &amp; SUB FRAME</p>		
<p><b>17</b></p>				<p><b>10</b> 3200</p>  <p>STEERING WHEEL</p>		
<p><b>16</b> 3400</p>  <p>FRONT SUSPENSION MECHANISMS</p>				<p><b>15</b> 3310</p>  <p>FRONT BRAKE MECHANISMS</p>	<p><b>14</b> 3300</p>  <p>FRONT AXLE</p>	<p><b>13</b> 3240</p>  <p>POWER STEERING SYSTEM (FRONT)</p>

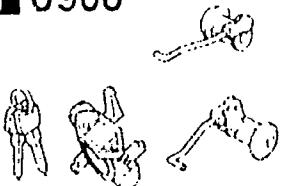

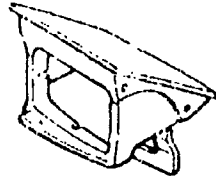
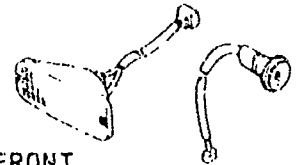

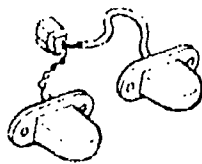
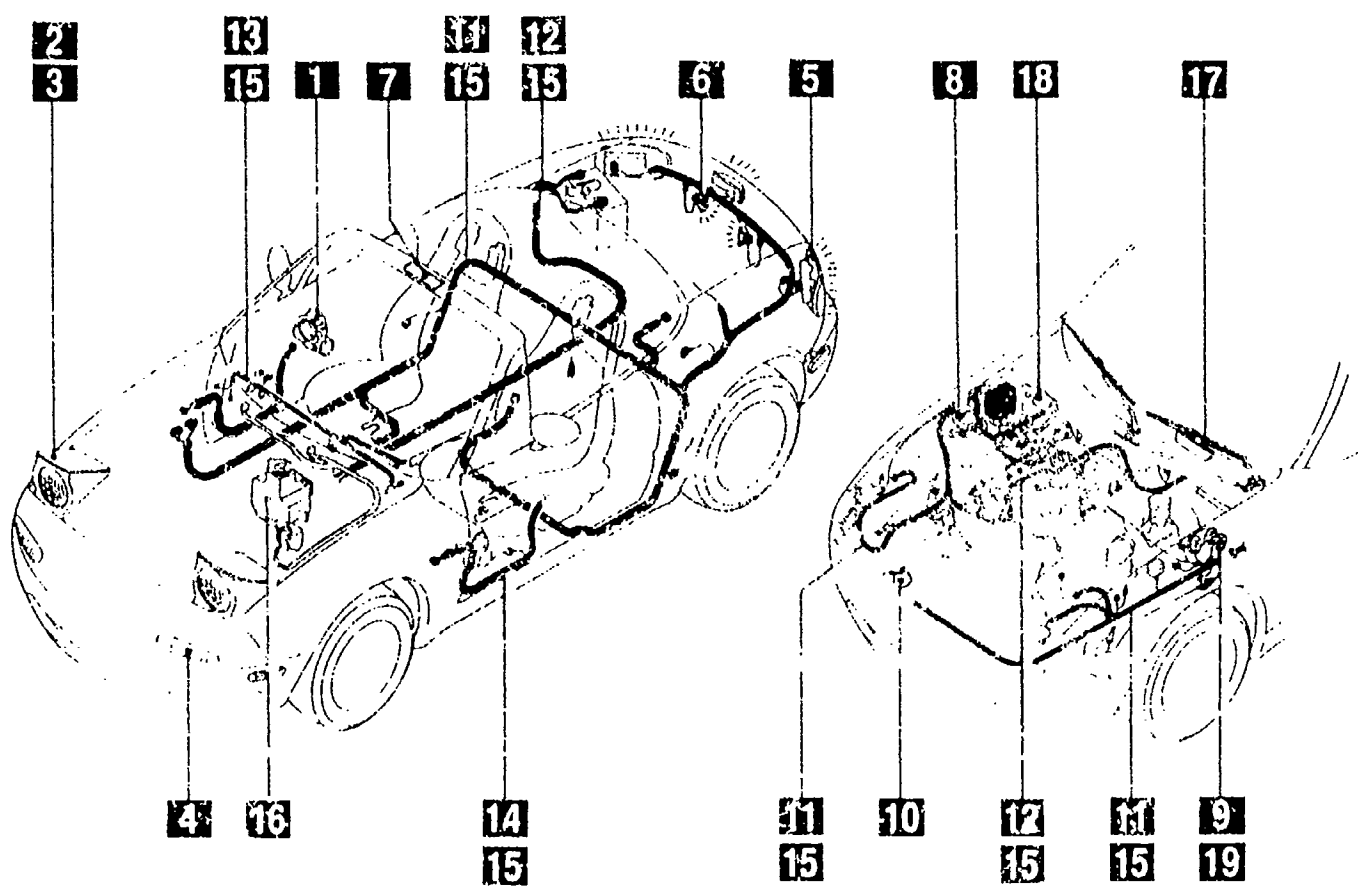
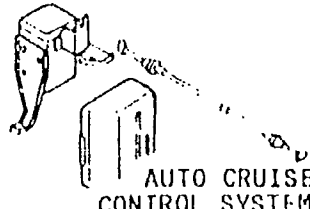
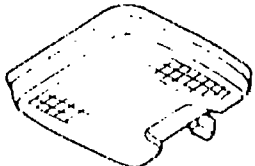


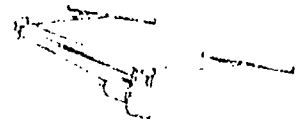


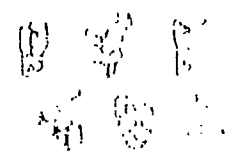
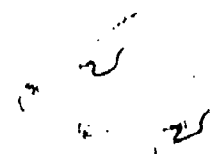
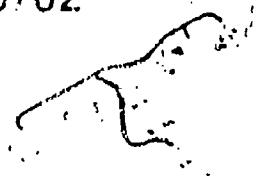
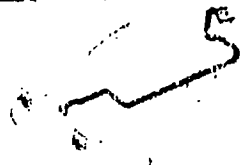
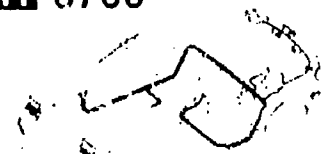
As this illustration is prepared to be applicable to all models, some parts are different in specifications from parts listed in this parts Catalog.



## PICTORIAL INDEX


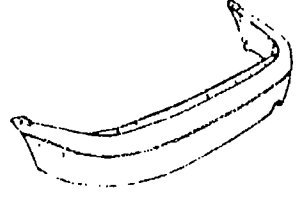
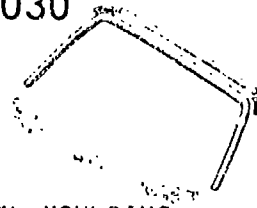

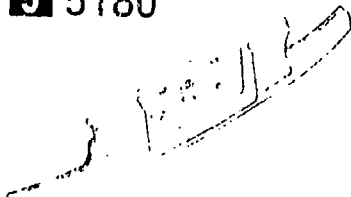
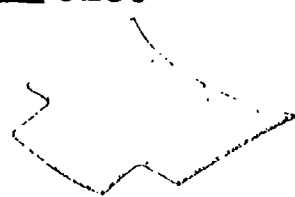
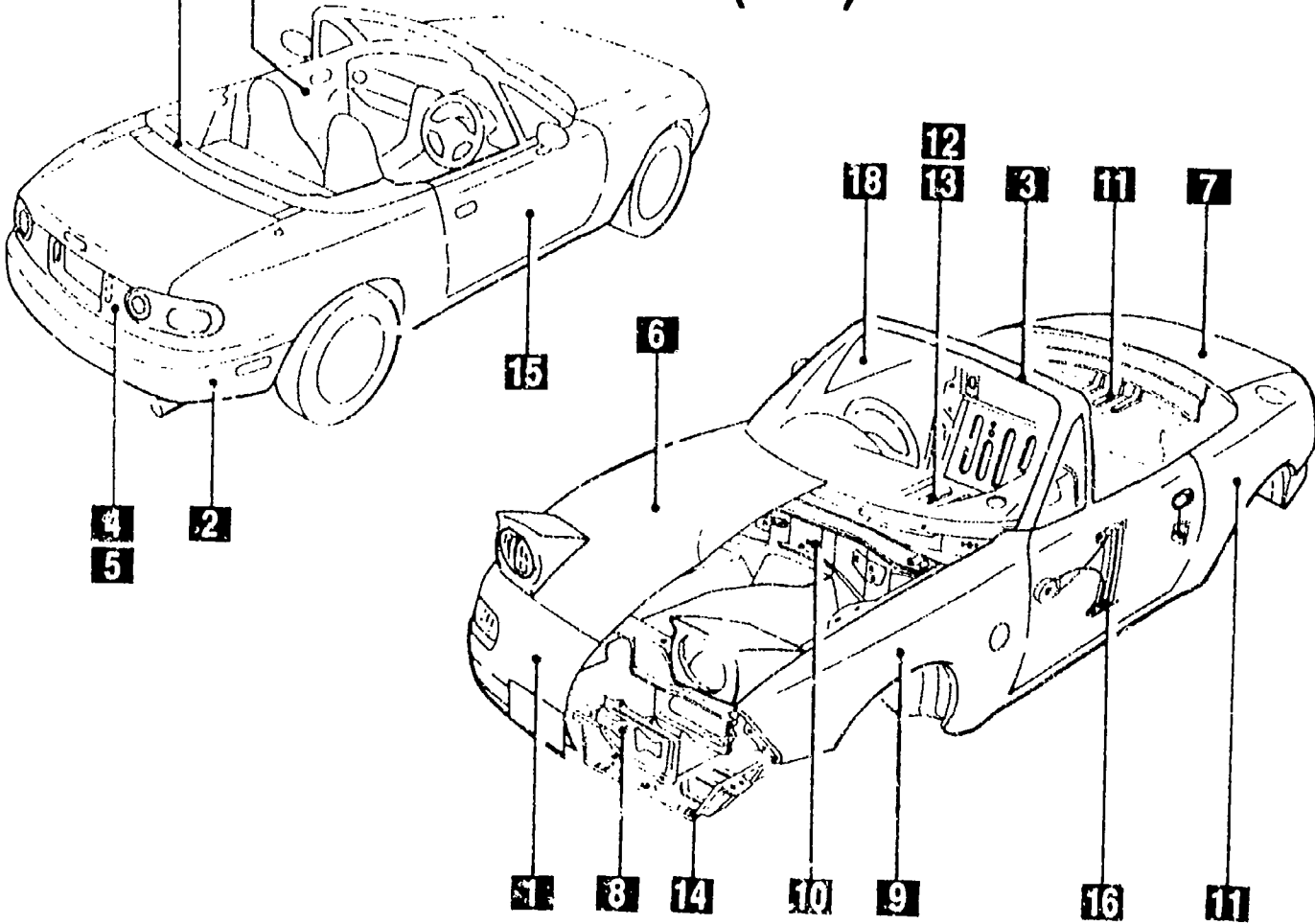

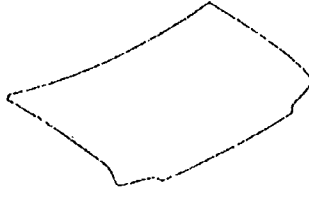

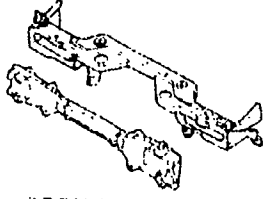

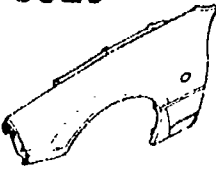



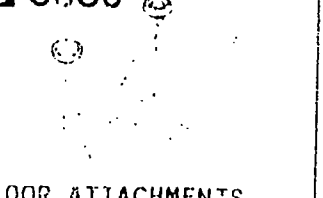

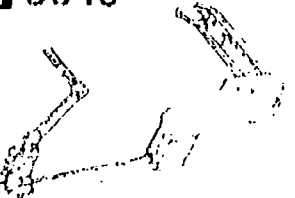
<b>1</b> 3700  TIRES & JACK	<b>2</b> 4140  CLUTCH RELEASE & MASTER CYLINDERS	<b>3</b> 4145  CLUTCH PIPINGS	<b>4</b> 4160  ACCELERATOR CONTROL SYSTEM	<b>5</b> 4200  FUEL TANK	<b>6</b> 4210  FUEL LID OPENER
<h3 style="margin: 0;">CHASSIS (2/2)</h3> 					
As this illustration is prepared to be applicable to all models, some parts are different in specifications from parts listed in this parts Catalog.					
				<b>7</b> 4300  CLUTCH & BRAKE PEDALS	<b>8</b> 4340  BRAKE MASTER CYLINDER & POWER BRAKE
				<b>9</b> 4360  BRAKE PIPINGS	<b>10</b> 4370  ANTILOCK BRAKE SYSTEM
			<b>12</b> 4500  FUEL PIPINGS	<b>11</b> 4400  PARKING BRAKE SYSTEM	

# PICTORIAL INDEX

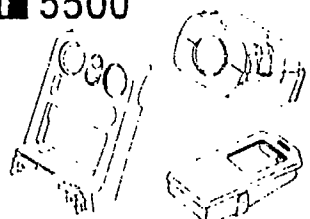
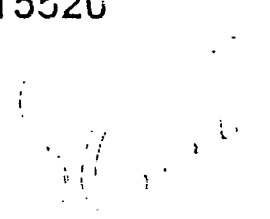
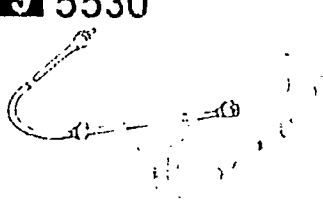
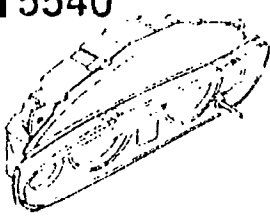
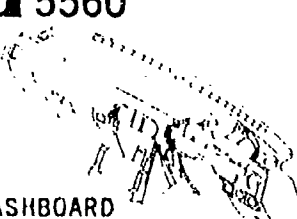
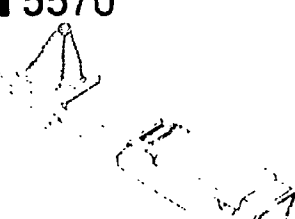
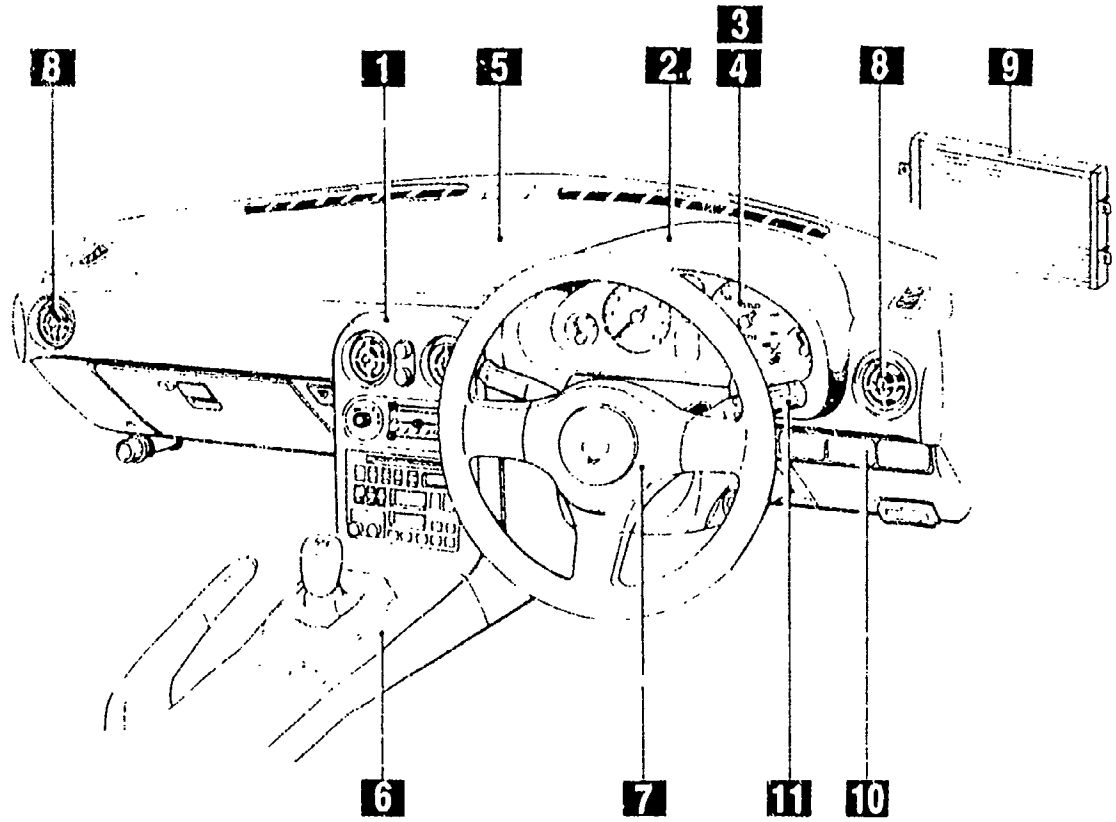
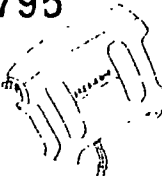
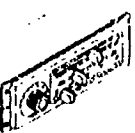



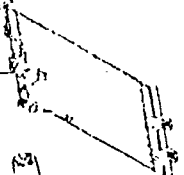

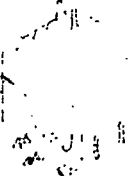
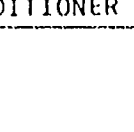
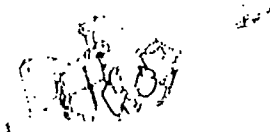
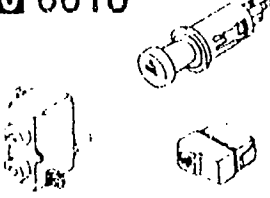
<p><b>1</b> 0900</p>  <p style="text-align: center;">KEY SETS</p>	<p><b>2</b> 5100</p>  <p style="text-align: center;">HEAD LAMPS</p>	<p><b>3</b> 5103</p>  <p style="text-align: center;">HEAD LAMP RETRACTORS</p>	<p><b>4</b> 5105</p>  <p style="text-align: center;">FRONT COMBINATION LAMPS</p>	<p><b>5</b> 5110</p>  <p style="text-align: center;">REAR COMBINATION LAMPS</p>	<p><b>6</b> 5120</p>  <p style="text-align: center;">LICENSE LAMPS</p>
<h2 style="margin: 0;">BODY (1/4)</h2> 					
<p><b>19</b> 6640</p>  <p style="text-align: center;">AUTO CRUISE CONTROL SYSTEM</p>					<p><b>7</b> 5125</p>  <p style="text-align: center;">INTERIOR LAMPS</p>
<p><b>18</b> 6740</p>  <p style="text-align: center;">WIPER MOTOR COMPONENTS (FRONT)</p>					<p><b>8</b> 6600</p>  <p style="text-align: center;">SWITCHES &amp; RELAYS (ENGINE)</p>
<p><b>17</b> 6730</p>  <p style="text-align: center;">WINDSHIELD WIPERS</p>					<p><b>9</b> 6630</p>  <p style="text-align: center;">RELAYS &amp; UNIT (BODY)</p>
<p><b>16</b> 6720</p>  <p style="text-align: center;">WINDSHIELD WASHER</p>	<p><b>15</b> 6704</p>  <p style="text-align: center;">WIRING HARNESS CLAMPS</p>	<p><b>14</b> 6703</p>  <p style="text-align: center;">WIRING HARNESSSES (DOOR, FLOOR/CEILING)</p>	<p><b>13</b> 6702</p>  <p style="text-align: center;">WIRING HARNESSSES (DASHBOARD)</p>	<p><b>12</b> 6701</p>  <p style="text-align: center;">WIRING HARNESSSES (ENGINE &amp; T/MISSION)</p>	<p><b>11</b> 6700</p>  <p style="text-align: center;">WIRING HARNESSSES (FRONT &amp; REAR)</p>

As this illustration is prepared to be applicable to all models, some parts are different in specifications from parts listed in this parts Catalog.

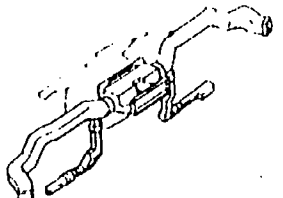

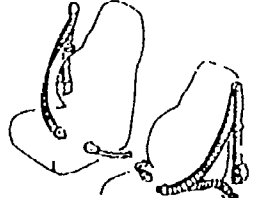
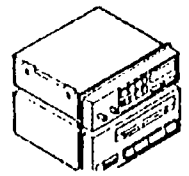
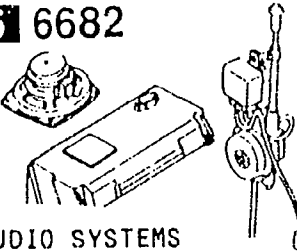
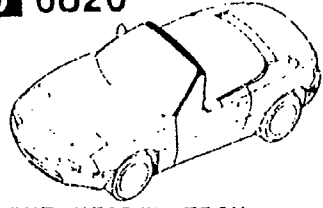
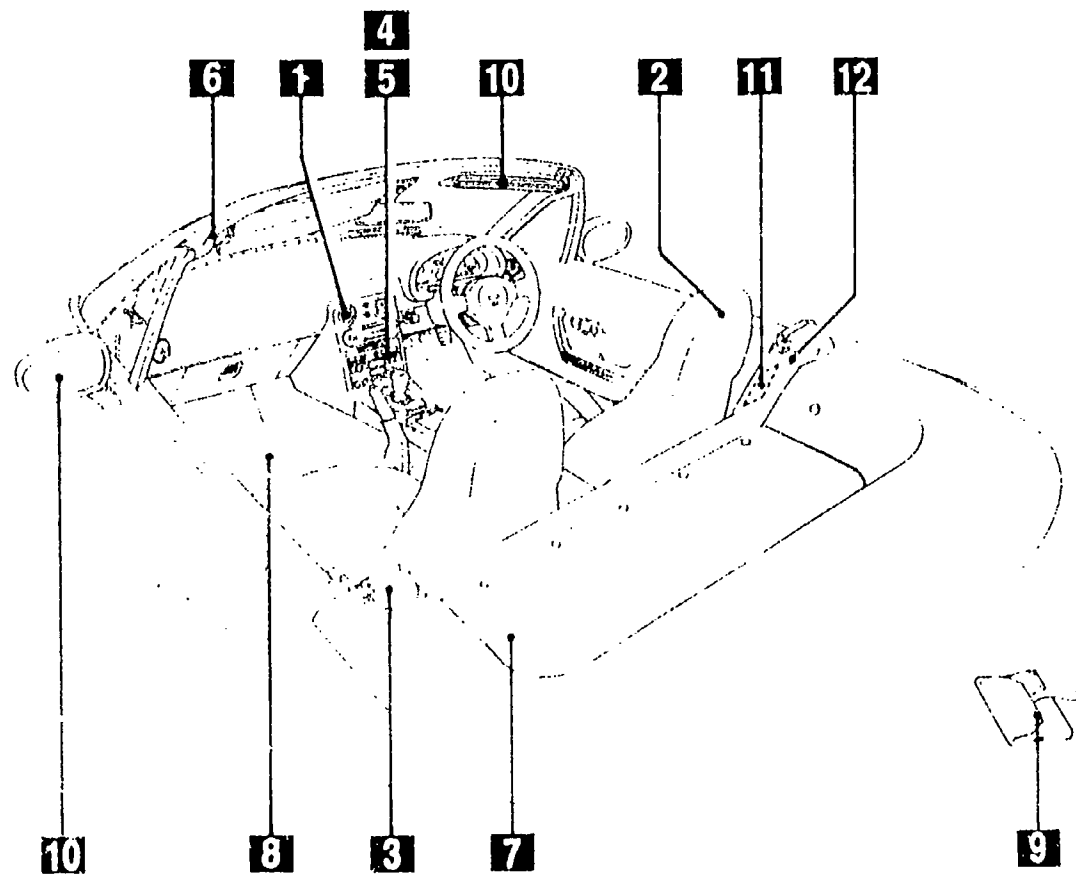
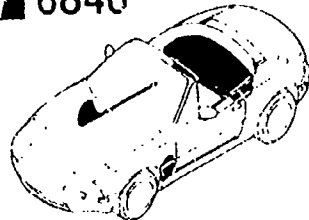
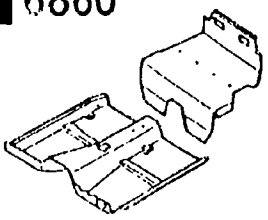
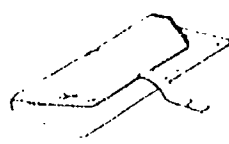
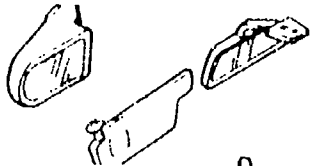

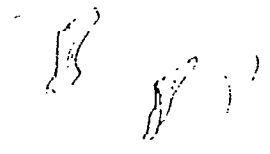
# PICTORIAL INDEX

<p><b>1</b> 5000</p>  <p>FRONT BUMPER</p>	<p><b>2</b> 5010</p>  <p>REAR BUMPER</p>	<p><b>3</b> 5030</p>  <p>WINDOW MOULDING &amp; COWL GRILLES</p>	<p><b>4</b> 5170</p>  <p>ORNAMENTS</p>	<p><b>5</b> 5180</p>  <p>REAR FINISHED</p>	<p><b>6</b> 5230</p>  <p>BONNET</p>
<p><b>BODY (2/4)</b></p> 					
<p><b>19</b> 6330</p>  <p>SUNROOF</p>					<p><b>7</b> 5260</p>  <p>TRUNK LID</p>
<p><b>18</b> 6300</p>  <p>WINDOW GLASSES</p>					<p><b>8</b> 5310</p>  <p>FRONT PANELS</p>
<p><b>17</b> 5840</p>  <p>FRONT DOOR TRIMS &amp; RELATED PARTS</p>					<p><b>9</b> 5320</p>  <p>FENDER &amp; WHEEL APRON PANELS</p>
<p><b>16</b> 5830</p>  <p>FRONT DOOR MECHANISMS</p>	<p><b>15</b> 5800</p>  <p>FRONT DOOR</p>	<p><b>14</b> 5390</p>  <p>FLOOR ATTACHMENTS</p>	<p><b>13</b> 5380</p>  <p>FLOOR ATTACHMENTS (HOLE COVERS)</p>	<p><b>12</b> 5370</p>  <p>FLOOR PANELS</p>	<p><b>11</b> 5340</p>  <p>SIDE PANELS</p>

# PICTORIAL INDEX

<p><b>1</b> 5500</p>  <p>DASHBOARD EQUIPMENTS</p>	<p><b>2</b> 5520</p>  <p>METER HOOD</p>	<p><b>3</b> 5530</p>  <p>SPEEDOMETER CABLE</p>	<p><b>4</b> 5540</p>  <p>METER COMPONENTS</p>	<p><b>5</b> 5560</p>  <p>DASHBOARD &amp; RELATED PARTS</p>	<p><b>6</b> 5570</p>  <p>CONSOLE</p>
<h2 style="margin: 0;">BODY (3/4)</h2> 					
<p><b>7</b> 5795</p>  <p>AIR BAG</p>					
<p><b>8</b></p> <p>6115</p>  <p>6110</p>  <p>6100</p>  <p>6120</p>  <p>HEATER</p>					
<p><b>9</b></p> <p>6130</p>  <p>6135</p>  <p>6140</p>  <p>6150</p>  <p>AIR CONDITIONER</p>					
<p><b>11</b> 6611</p>  <p>COMBINATION SWITCH</p>					
<p><b>10</b> 6610</p>  <p>DASHBOARD SWITCHES</p>					

# PICTORIAL INDEX

<p><b>1</b> 5580</p>  <p>VENTILATOR</p>	<p><b>2</b> 5700</p>  <p>SEATS</p>	<p><b>3</b> 5790</p>  <p>SEAT BELTS</p>	<p><b>4</b> 6680</p>  <p>AUDIO SYSTEMS (RADIO &amp; TAPE DECK)</p>	<p><b>5</b> 6682</p>  <p>AUDIO SYSTEMS (ANTENNA &amp; SPEAKER)</p>	<p><b>6</b> 6820</p>  <p>FRONT HEADER TRIM &amp; PILLAR TRIMS</p>
<p><b>BODY (4/4)</b></p>  <p>As this illustration is prepared to be applicable to all models, some parts are different in specifications from parts listed in this parts Catalog.</p>					
<p><b>7</b> 6840</p>  <p>TRIMS &amp; SCUFF PLATES</p> <p><b>8</b> 6860</p>  <p>FLOOR MATS &amp; PADS</p> <p><b>9</b> 6870</p>  <p>SERVICE TOOLS</p> <p><b>10</b> 6900</p>  <p>VISORS, ASSIST HANDLES &amp; MIRRORS</p> <p><b>11</b> 6930</p>  <p>CAUTION PLATES &amp; LABELS</p> <p><b>12</b> 7250</p>  <p>QUARTER WINDOW &amp; TRIMS</p>					

## SECTION NAME INDEX (ENGINE)

LO.NO	SEC.NO	SECTION NAME	LO.NO	SEC.NO	SECTION NAME	LO.NO	SEC.NO	SECTION NAME
1-C03	1000	ENGINE & GASKET SETS	1-K09	1950	AUTOMATIC TRANSMISSION MANUAL LINKAGE SYSTEM			
1-E03	1010	CYLINDER HEAD & COVER	1-M09	1960	AUTOMATIC TRANSMISSION GASKET & SEAL KIT			
1-H03	1030	CYLINDER BLOCK						
1-J03	1040	OIL PAN & TIMING COVER						
1-L03	1100	PISTON, CRANKSHAFT & FLYWHEEL						
1-C04	1200	VALVE SYSTEM						
1-E04	1300	INLET MANIFOLD						
1-F04	1310	EXHAUST MANIFOLD						
1-G04	1320	FUEL SYSTEM						
1-I04	1325	FUEL DISTRIBUTOR						
1-J04	1330	AIR CLEANER						
1-L04	1364	THROTTLE BODY						
1-M04	1370	EMISSION CONTROL SYSTEM (INLET SIDE)						
1-C05	1400	OIL PUMP & FILTER						
1-E05	1500	COOLING SYSTEM						
1-H05	1580	BRACKET, PULLEY & BELT						
1-C06	1600	CLUTCH DISC & COVER						
1-D06	1700	MANUAL TRANSMISSION CASE						
1-E06	1710	MANUAL TRANSMISSION GEARS						
1-J06	1720	MANUAL TRANSMISSION CHANGE CONTROL SYSTEM						
1-M06	1800	ENGINE ELECTRICAL SYSTEM						
1-C07	1830	ALTERNATOR						
1-E07	1840	STARTER (MT)						
1-G07	1840 A	STARTER (AT)						
1-I07	1850	BATTERY						
1-J07	1910	AUTOMATIC TRANSMISSION TORQUE CONVERTER, OIL PUMP & PIPINGS						
1-M07	1920	AUTOMATIC TRANSMISSION CASE & MAIN CONTROL SYSTEM						
1-F08	1925	AUTOMATIC TRANSMISSION CONTROL VALVE						
1-M08	1930	AUTOMATIC TRANSMISSION CLUTCHES & PLANETARY GEARS						
1-H09	1940	AUTOMATIC TRANSMISSION GOVERNOR, LOW & REVERSE PISTON						

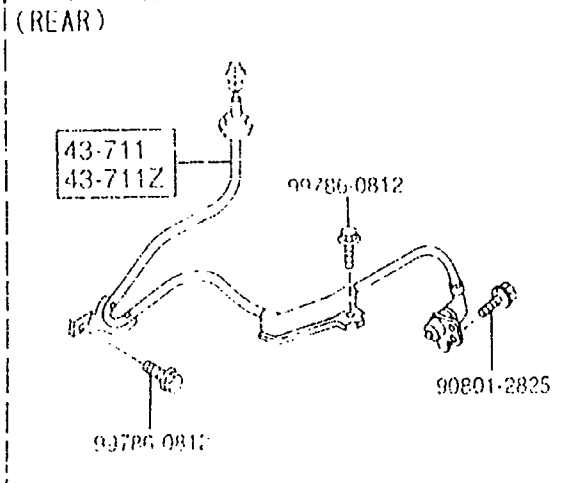
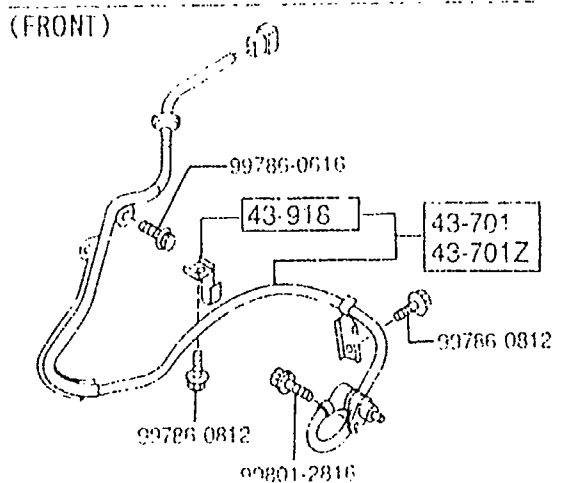
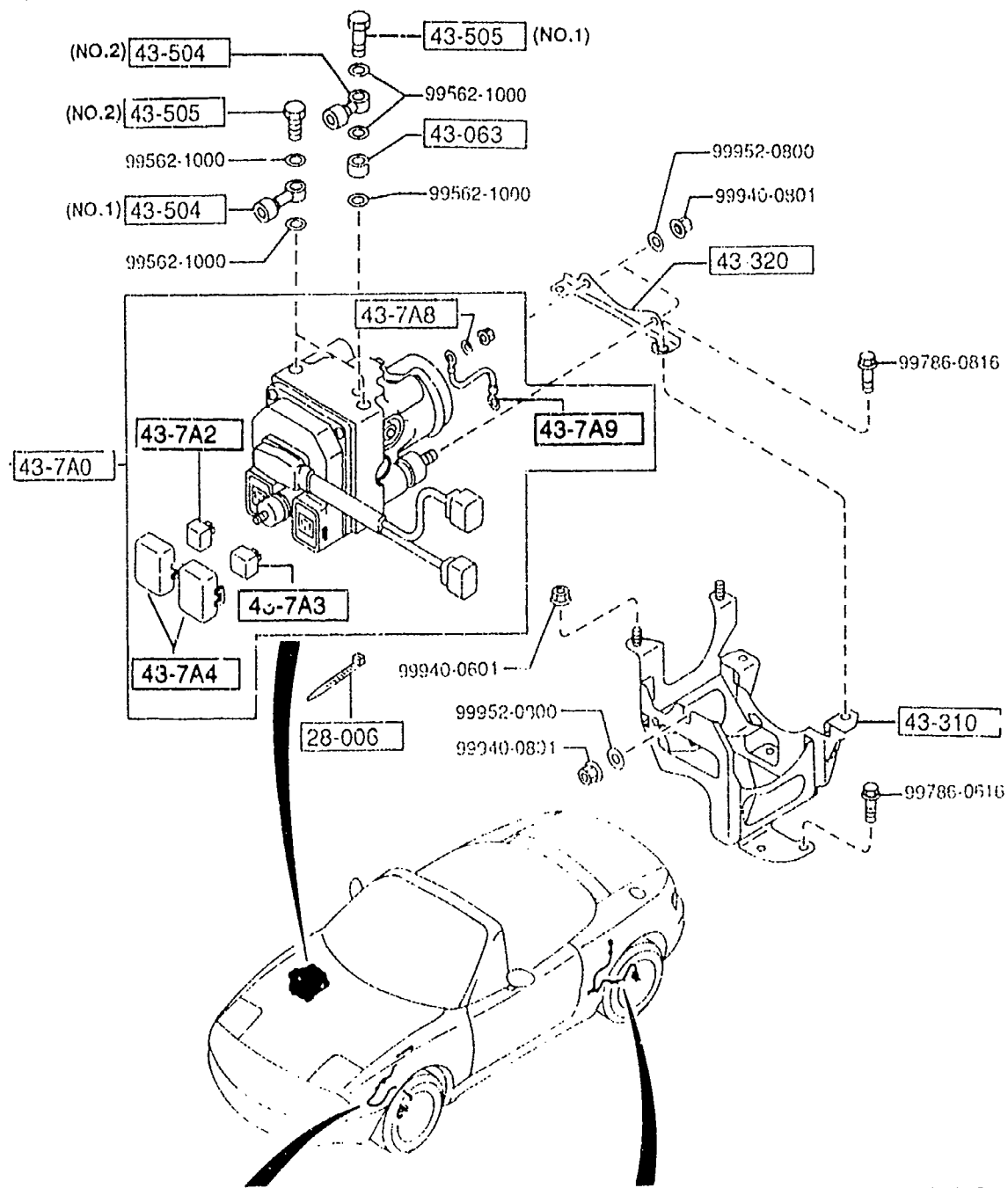
## SECTION NAME INDEX (CHASSIS)

LO.NO	SEC.NO	SECTION NAME	LO.NO	SEC.NO	SECTION NAME	LO.NO	SEC.NO	SECTION NAME
1-C11	2505	REAR PROPELLER SHAFT	1-F16	4340	BRAKE MASTER CYLINDER & POWER BRAKE (W/O ANTILOCK BRAKE)			
1-D11	2550	REAR DRIVE SHAFT						
1-F11	2600	REAR AXLE	1-H16	4340 A	BRAKE MASTER CYLINDER & POWER BRAKE (W/ANTILOCK BRAKE)			
1-G11	2610	REAR BRAKE MECHANISMS						
1-J11	2710	REAR DIFFERENTIALS (NORMAL DIFF.)	1-K16	4360	BRAKE PIPINGS (W/O ANTI LOCK BRAKE SYSTEM)			
1-C12	2710 A	REAR DIFFERENTIALS (LIMITED SLIP DIFF.)	1-M16	4360 A	BRAKE PIPINGS (ANTI LOCK BRAKE SYSTEM)			
1-G12	2800	REAR SUSPENSION MECHANISMS	2-C03	4370	ANTILOCK BRAKE SYSTEM			
1-H12	2810	REAR STABILIZER	2-E03	4400	PARKING BRAKE SYSTEM			
1-I12	2830	REAR LOWER ARMS & SUB FRAME	2-G03	4500	FUEL PIPINGS			
1-K12	3200	STEERING WHEEL	2-I03	4600	CHANGE CONTROL SYSTEM (AT)			
1-L12	3210	STEERING COLUMN & SHAFTS						
1-M12	3220	STEERING GEAR (W/O POWER STEERING)						
1-C13	3220 A	STEERING GEAR (W/POWER STEERING)						
1-H13	3240	POWER STEERING SYSTEM						
1-K13	3300	FRONT AXLE (W/O ANTILOCK BRAKE)						
1-L13	3300 A	FRONT AXLE (W/ANTILOCK BRAKE)						
1-M13	3310	FRONT BRAKE MECHANISMS						
1-N13	3400	FRONT SUSPENSION MECHANISMS						
1-E14	3410	CROSSMEMBER & STABILIZER						
1-F14	3700	TIRES & JACK						
1-C15	3900	ENGINE & T/MISSION MOUNTINGS						
1-D15	4000	EXHAUST SYSTEM						
1-F15	4140	MANUAL TRANSMISSION CLUTCH RELEASE & MASTER CYLINDERS						
1-G15	4145	MANUAL TRANSMISSION CLUTCH PIPINGS						
1-H15	4160	ACCELERATOR CONTROL SYSTEM						
1-I15	4200	FUEL TANK						
1-L15	4210	FUEL LID OPENER						
1-M15	4300	MANUAL TRANSMISSION CLUTCH & BRAKE PEDALS						
1-D16	4300A	AUTOMATIC TRANSMISSION BRAKE PEDAL						

## SECTION NAME INDEX (BODY)

LO.NO	SEC.NO	SECTION NAME	LO.NO	SEC.NO	SECTION NAME	LO.NO	SEC.NO	SECTION NAME
2-C05	0900	KEY SETS	2-C14	6100	HEATER	3-D06	6900	SUN VISORS, ASSIST HANDLES & MIRRORS
2-E05	5000	FRONT BUMPER	2-D14	6110	HEATER UNIT COMPONENTS	3-G06	6930	CAUTION PLATES & LABELS
2-H05	5010	REAR BUMPER	2-E14	6115	HEATER CONTROL COMPONENTS	3-I06	7250	QUARTER WINDOW & TRIMS
2-J05	5030	WINDOW MOULDING & COWL GRILLES	2-G14	6120	HEATER BLOWER COMPONENTS			
2-K05	5100	HEAD LAMPS	2-H14	6130	AIR CONDITIONER			
2-L05	5103	HEAD LAMP RETRACTORS	2-L14	6135	AIR CONDITIONING COOLING PIPE O-RING			
2-C06	5105	FRONT COMBINATION LAMPS	2-M14	6140	AIR CONDITIONING COMPRESSOR COMPONENTS			
2-E06	5110	REAR COMBINATION LAMPS	2-C15	6150	AIR CONDITIONING COOLING UNIT			
2-H06	5120	LICENSE LAMPS	2-D15	6300	WINDOW GLASSES			
2-I06	5125	INTERIOR LAMPS	2-E15	6330	SUN ROOF			
2-J06	5170	ORNAMENTS	2-E16	6600	ENGINE SWITCHES & RELAYS			
2-K06	5180	REAR FINISHER	2-J16	6610	DASHBOARD SWITCHES			
2-L06	5230	BONNET	2-L16	6611	COMBINATION SWITCH			
2-N06	5260	TRUNK LID	2-M16	6630	BODY RELAYS & UNIT			
2-D07	5310	FRONT PANELS	3-C03	6635	DOOR SWITCH & HORNS			
2-E07	5320	FENDER & WHEEL APRON PANELS	3-D03	6640	AUTO CRUISE CONTROL SYSTEM			
2-H07	5330	DASH & COWL PANELS	3-E03	6680	AUDIO SYSTEMS (RADIO & TAPE DECK)			
2-I07	5340	SIDE PANELS	3-K03	6682	AUDIO SYSTEMS (ANTENNA & SPEAKER)			
2-N07	5370	FLOOR PANELS	3-N03	6700	FRONT & REAR WIRING HARNESSSES			
2-E08	5380	FLOOR ATTACHMENTS (HOLE COVERS)	3-F04	6701	ENGINE & TRANSMISSION WIRING HARNESSSES			
2-F08	5390	FLOOR ATTACHMENTS	3-G04	6702	DASHBOARD WIRING HARNESSSES			
2-C09	5500	DASHBOARD EQUIPMENTS	3-H04	6703	DOOR, FLOOR & CEILING WIRING HARNESSSES			
2-F09	5520	METER HOOD	3-I04	6704	WIRING HARNESS CLAMPS			
2-G09	5530	SPEEDOMETER CABLE	3-L04	6720	WINDSHIELD WASHER (W/O ANTI LOCK BRAKE)			
2-H09	5540	METER COMPONENTS	3-N04	6720 A	WINDSHIELD WASHER (W/ANTI LOCK BRAKE)			
2-K09	5560	DASHBOARD & RELATED PARTS	3-E05	6730	WINDSHIELD WIPERS			
2-N09	5570	CONSOLE	3-G05	6740	WIPER MOTOR COMPONENTS			
2-E10	5580	VENTILATOR	3-H05	6820	FRONT HEADER TRIM & PILLAR TRIMS			
2-G10	5700	SEATS	3-I05	6840	TRIMS & SCUFF PLATES			
2-I12	5790	SEAT BELTS	3-L05	6860	FLOOR MATS & PADS			
2-J12	5795	AIR BAG	3-C06	6870	SERVICE TOOLS			
2-K12	5800	FRONT DOORS						
2-N12	5830	FRONT DOOR MECHANISMS						
2-F13	5840	FRONT DOOR TRIMS & RELATED PARTS						

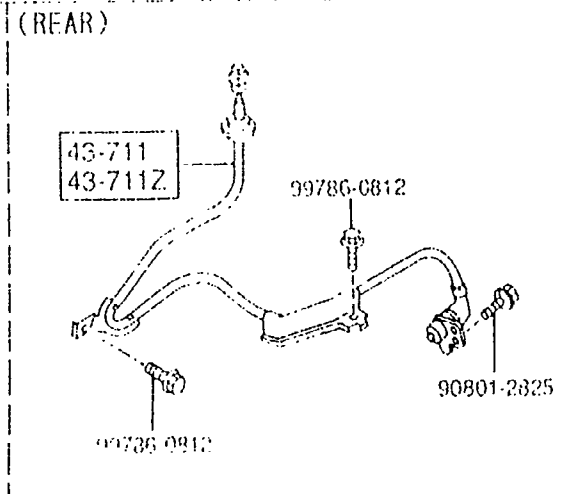
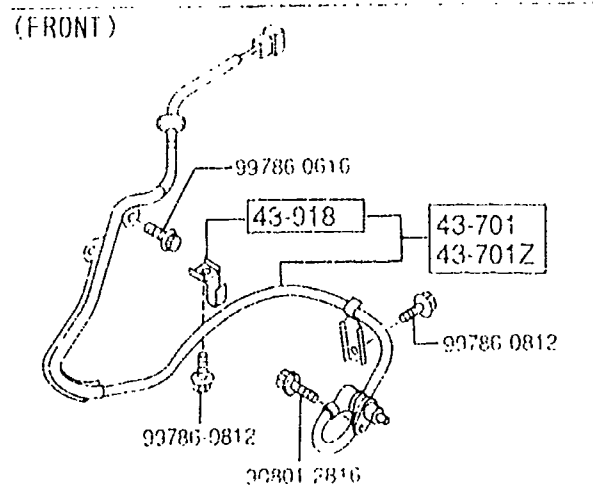
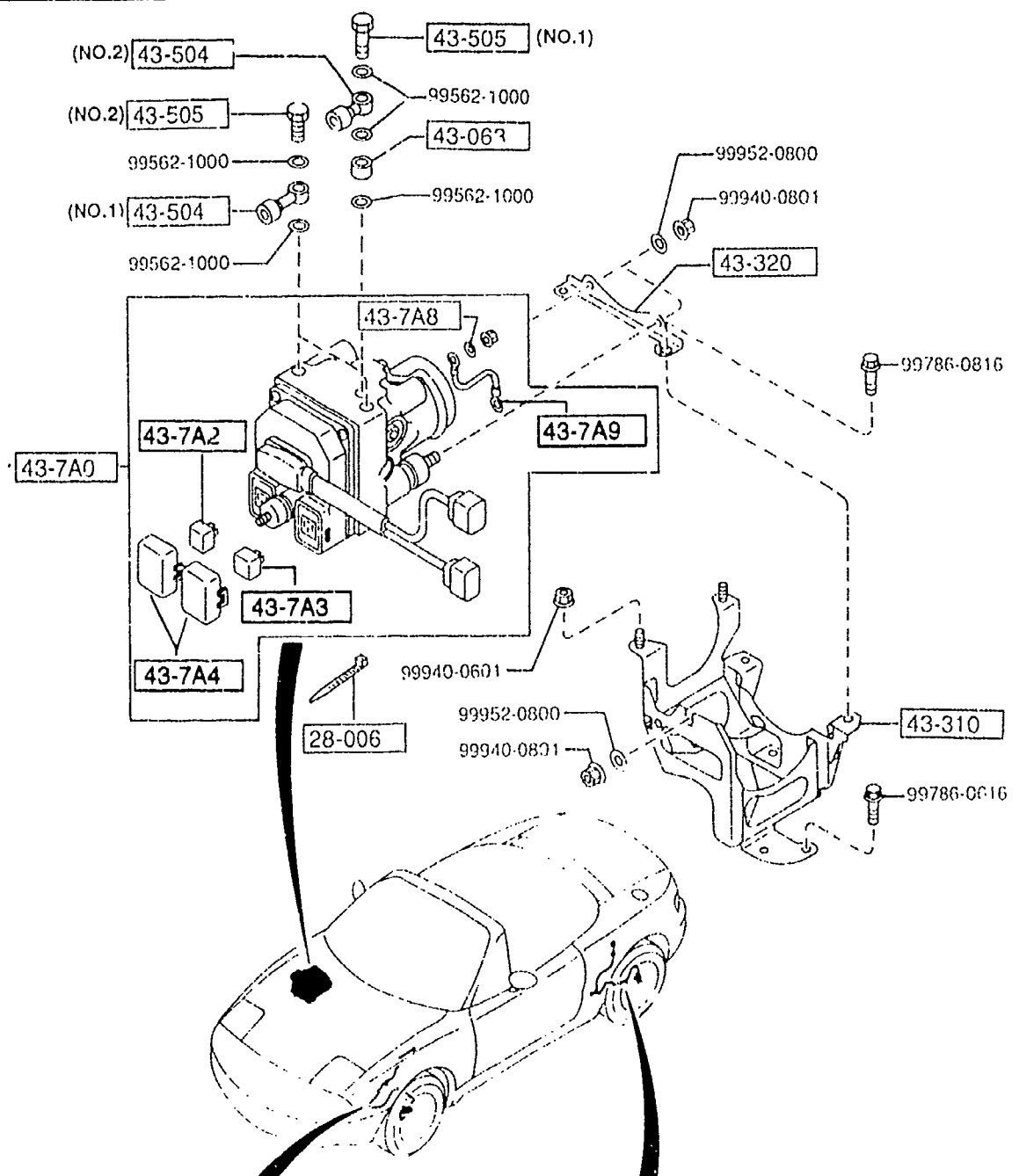




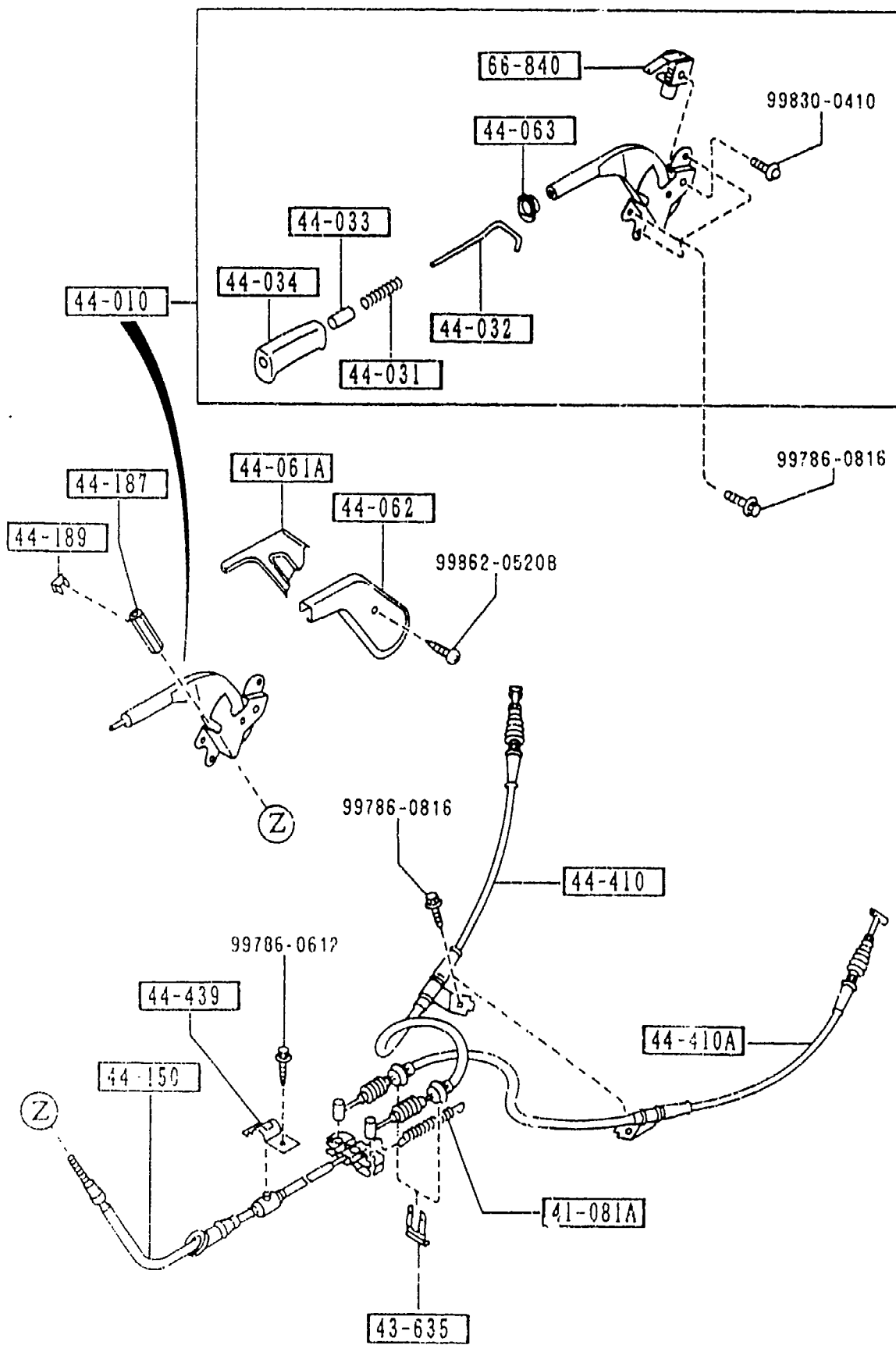
PART NO.	QTY	MODEL/RESTRICTION	MODEL/RESTRICTION	MODEL/RESTRICTION	FROM-TO
28-006	1	BAND, DUST BOOT-DAMP R			-4B01
H720-28-006	1				
43-063	1	SPACER			
HG83-43-506	1				
43-310	1	BRACKET NO 1, A.B.S.			
NB13-43-310A	1				
43-320	1	BRACKET NO 2, A.B.S.			
NB13-43-321A	1				
43-504	2	JOINT, PIPE			
EA03-43-504B	2	(ILLUST. NO.1)			
W023-43-504	1	(ILLUST. NO.2)			
43-505	1	BOLT, CONNECTOR			
HG83-43-505	1	(ILLUST. NO.1)			
W023-43-505	2	(ILLUST. NO.2)			
43-7A0	1	UNIT, HYDRAULIC-ABS			-4C05
NB13-43-7A0A	1	A (NB13-43-7A0B)			4C05-
NB13-43-7A0B	1				
43-7A2	1	RELAY, MOTOR-HYD. UNI T			-6401
*HGB2-43-7A2	1				6401-
43-7A3	1	RELAY, VALVE-HYD. UNI T			
NA23-43-7A4	1				
*NA23-43-7A3	1				
43-7A4	2	COVER 'L', HYDRAULIC U NIT			
*HG82-43-7A4	2				
43-7A8	1	WASHER, HYD. UNIT			
NA23-43-7A8	1				
43-7A9	1	WIRE, EARTH-HYD. UNIT			
*H415-43-7A9	1				

4B01 NA35\* -606043  
 4C05 NA35\* -610026  
 6401 NA35\*\* -717797

4370 ANTILOCK BRAKE SYSTEM



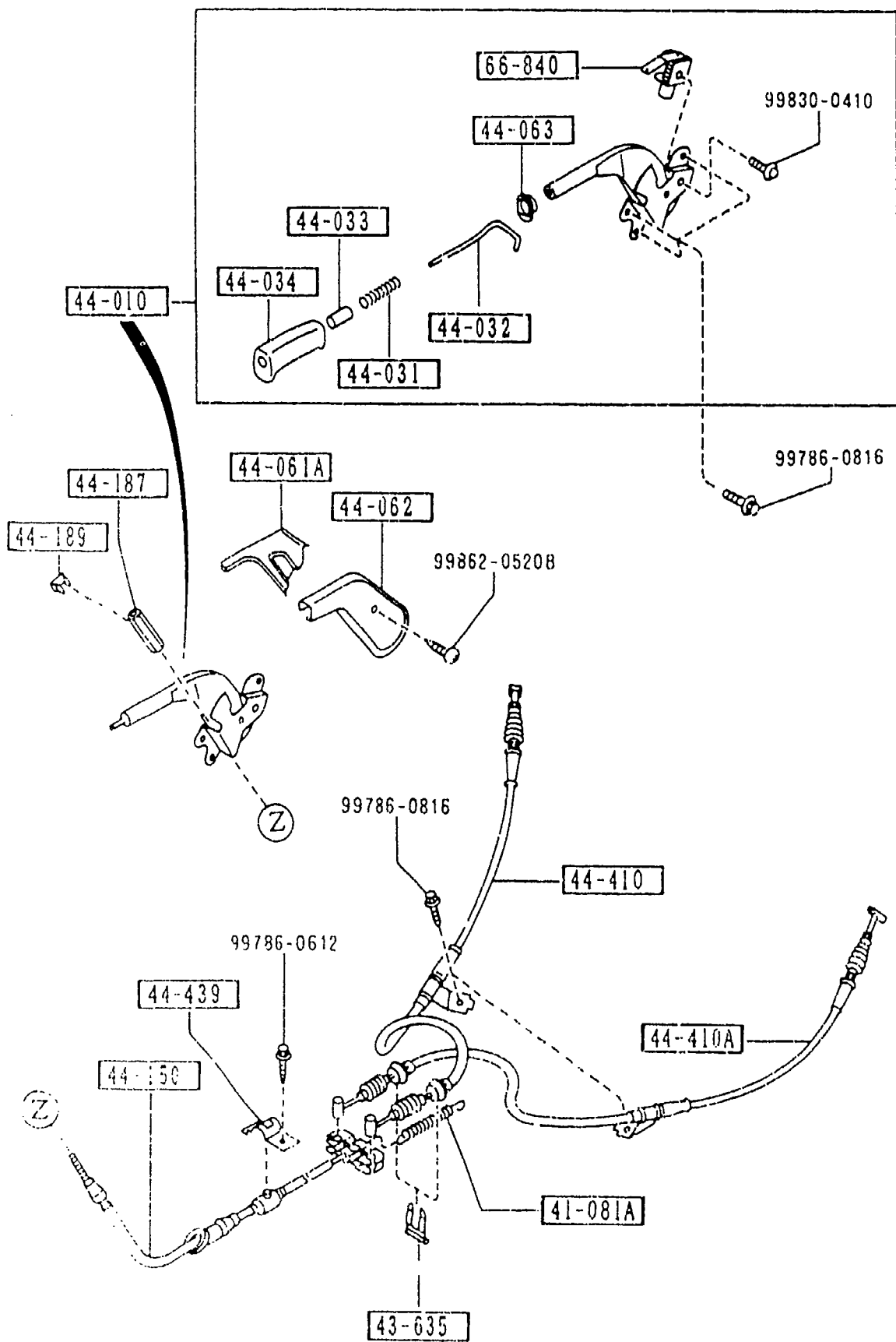
PART NO.	QTY	MODEL/RESTRICTION	MODEL/RESTRICTION	MODEL/RESTRICTION	FROM-TO
43-701 NA23-43-70XE	1	SENSOR(R), FRT-A. B. S.			
43-701Z NA23-43-73XE	1	SENSOR(L), FRT-A. B. S.			
43-711 NA23-43-71YB	1	SENSOR(R), RR-A. B. S.			
43-711Z NA23-43-72YB	1	SENSOR(L), RR-A. B. S.			
43-918 NA23-43-705	2	CLIP, SENSOR HARNESS			



PART NO.	QTY	MODEL/RESTRICTION	MODEL/RESTRICTION	MODEL/RESTRICTION	FROM-TO
41-081A		SPRING, RETURN			
0750-41-308	1				
43-635		CLIP, FLEXIBLE HOSE			
W023-43-635	2				-4927
A (W023-43-635A)					
W023-43-635A	2				4927-
44-010		LEVER, PARKING BRAKE			
NA01-44-010	1	(URETHANE)			
N001-44-010A	1	(WOOD)			
44-031		SPRING, PARKING REVER			
G030-44-031	1				
44-032		ROD, RELEASE			
NA01-44-032	1				
44-033		BUTTON, RELEASE			
FB01-44-033	1				
44-034		CAP, PARK BRAKE LEVER			
FB01-44-034	1	(URETHANE)			
N001-44-034B	1	(WOOD)			
44-061A		COVER			
FB01-44-061B	1				
44-062		COVER			
FB01-44-062A	1				
44-063		SPACER			
FC01-44-063A	1	(URETHANE)			
N001-44-063	1	(WOOD)			
44-150		CABLE, PARKING-FRT			
NA01-44-150C	1				
44-187		SCREW, ADJUST			
0866-44-187A	1				

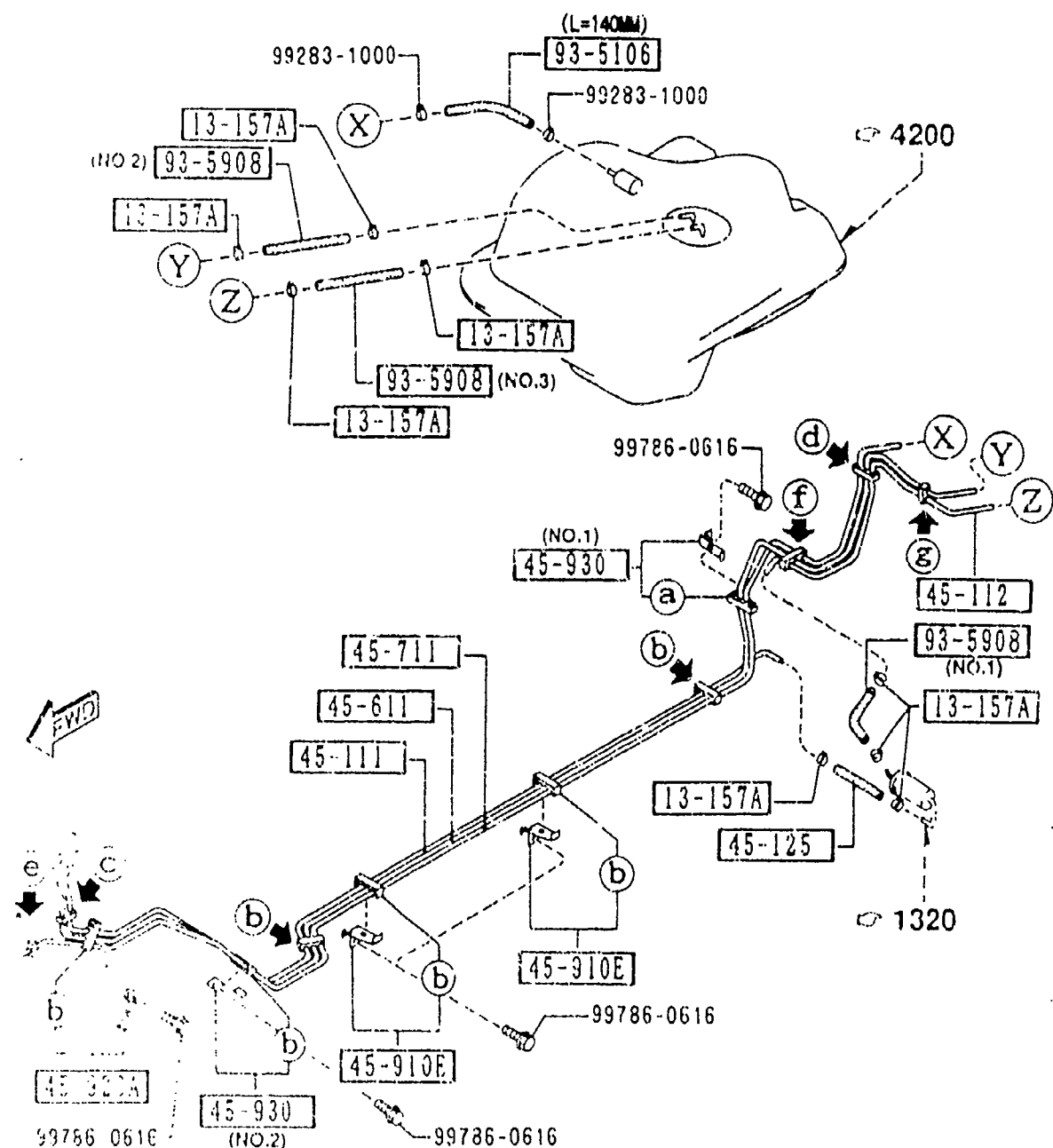
4927 NA35\* -603489

FWD



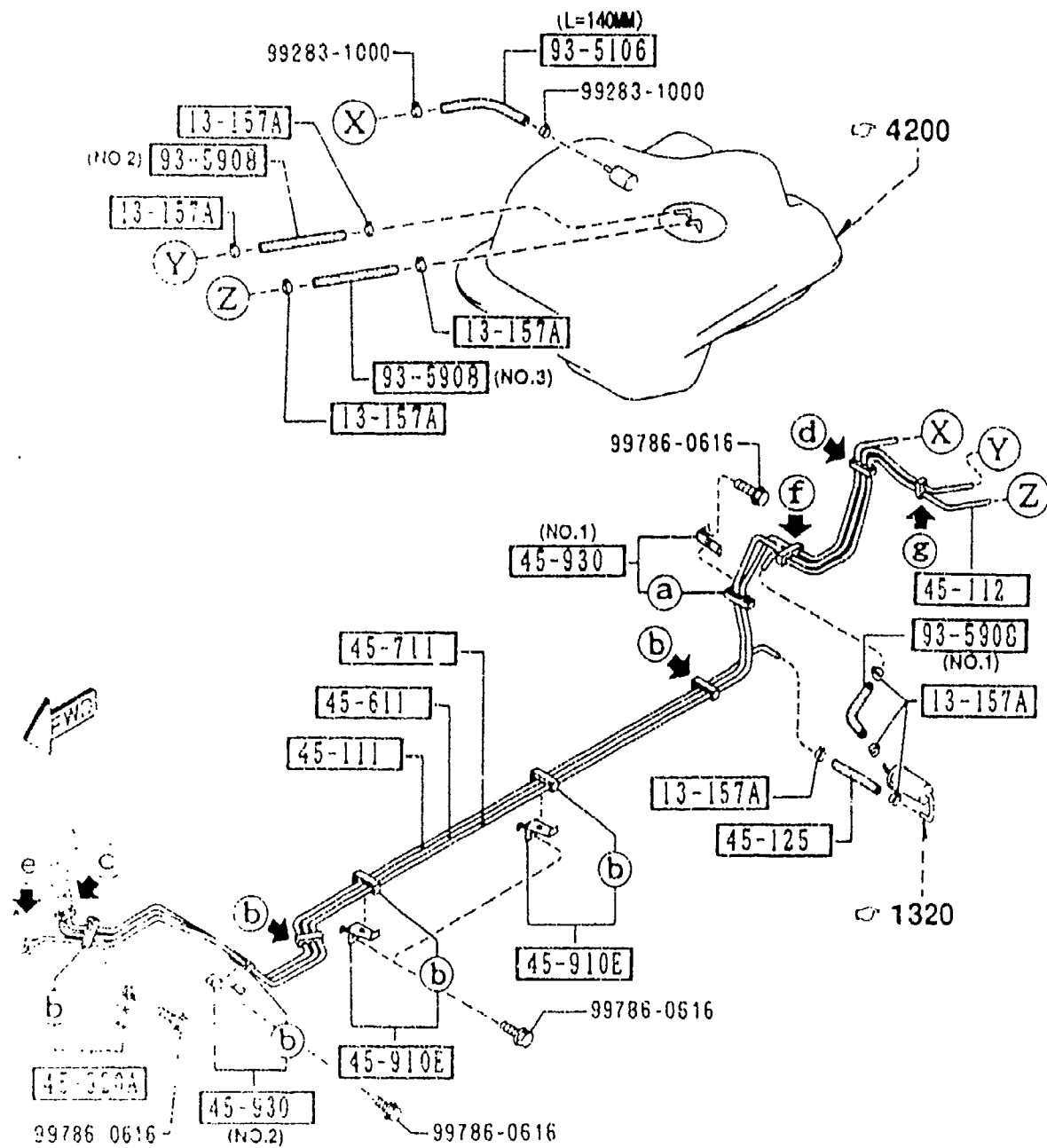
PART NO.	QTY	MODEL/RESTRICTION	MODEL/RESTRICTION	MODEL/RESTRICTION	FROM-TO
44-189	1	CLIP			
0866-44-189	1				
44-410	1	CABLE(R), R.-PARK.			
NA75-44-410	1				
44-410A	1	CABLE(L), R.-PARK.			
NA75-44-420	1				
44-439	1	CLIP, CABLE			
1011-44-439	1				
66-840	1	SWITCH, PARKING LAMP			
GJ21-66-450A	1				

FWD



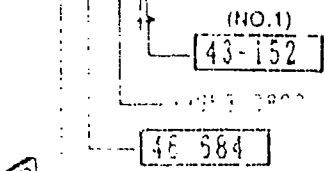
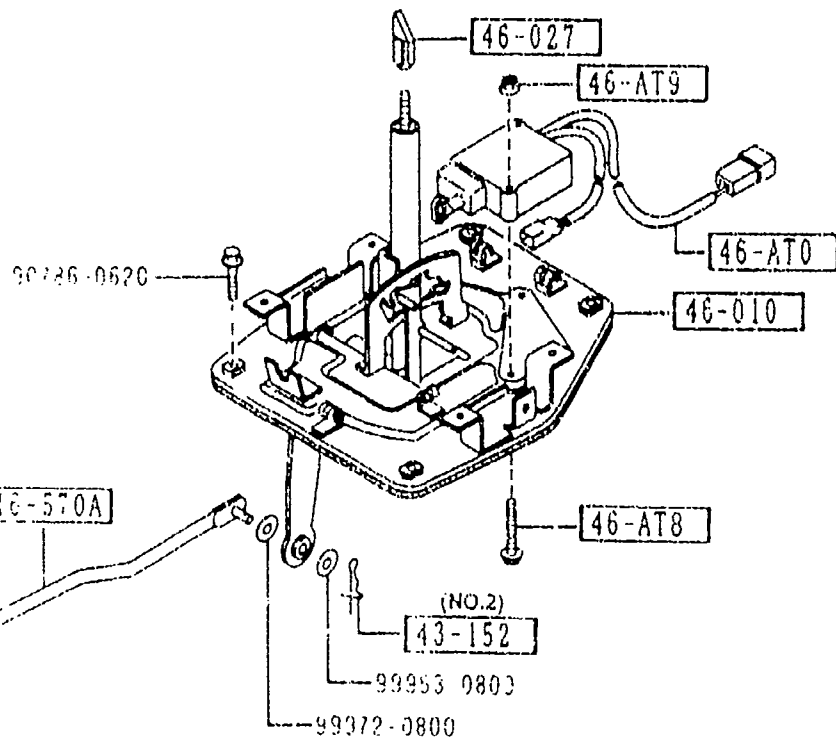
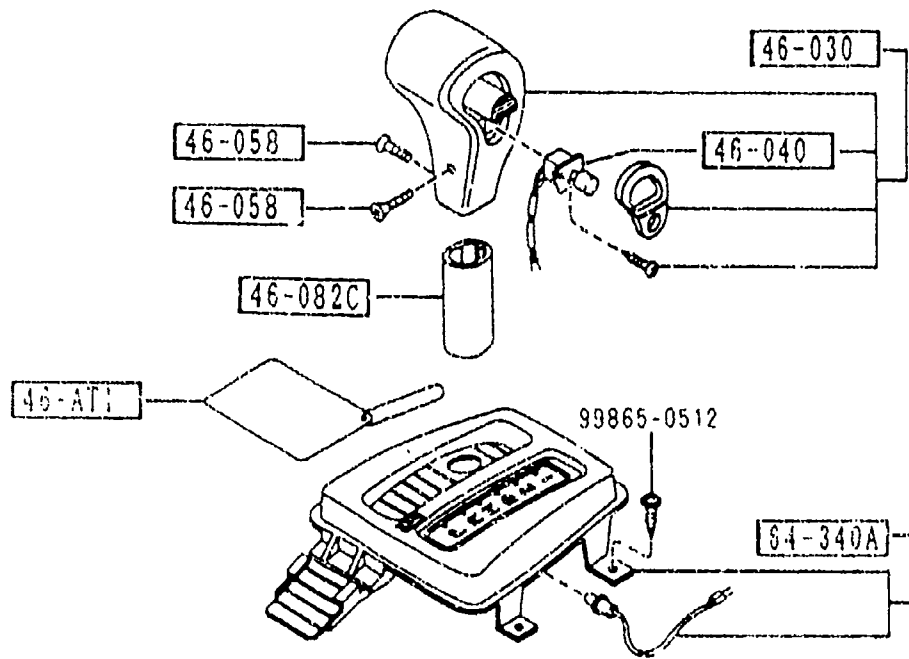
a	b	c	d	e	f	g
45-912D	45-912D	45-913	45-913A	45-914	45-915	45-921
(NO.1)	(NO.2)					

PART NO.	QTY	MODEL/RESTRICTION	MODEL/RESTRICTION	MODEL/RESTRICTION	FROM-TO
8574-13-157	8	CLIP			
NA01-45-111	1	PIPE, FUEL-MAIN			
NA75-45-112A	1	PIPE, FUEL-MAIN			
99359-0815	1	HOSE, FUEL			
NA75-45-611A	1	PIPE, FUEL-RETURN			
NA75-45-711A	1	PIPE, EVAPORATION			
H266-45-910A	2	HOLDER, PIPE			
H260-45-912	1	HOLDER 'A'			(ILLUST. NO.1)
H266-45-912	6	HOLDER 'A'			(ILLUST. NO.2)
NA01-45-912	1	HOLDER, PIPE			
NA01-45-913	1	CLIP, PIPE			
FELT-45-914	1	HOLDER, PIPE			NIFUKO
NA01-45-914	1	CLIP, PIPE			
H266-45-920A	1	HOLDER 'B', PIPE			



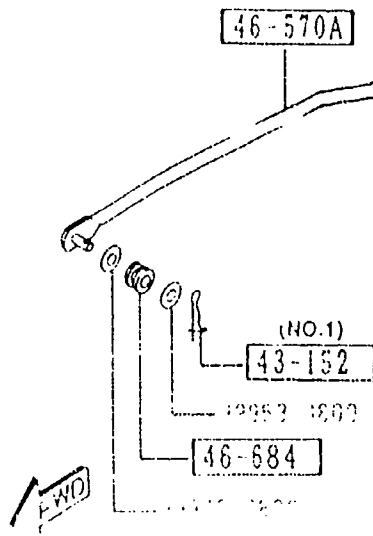
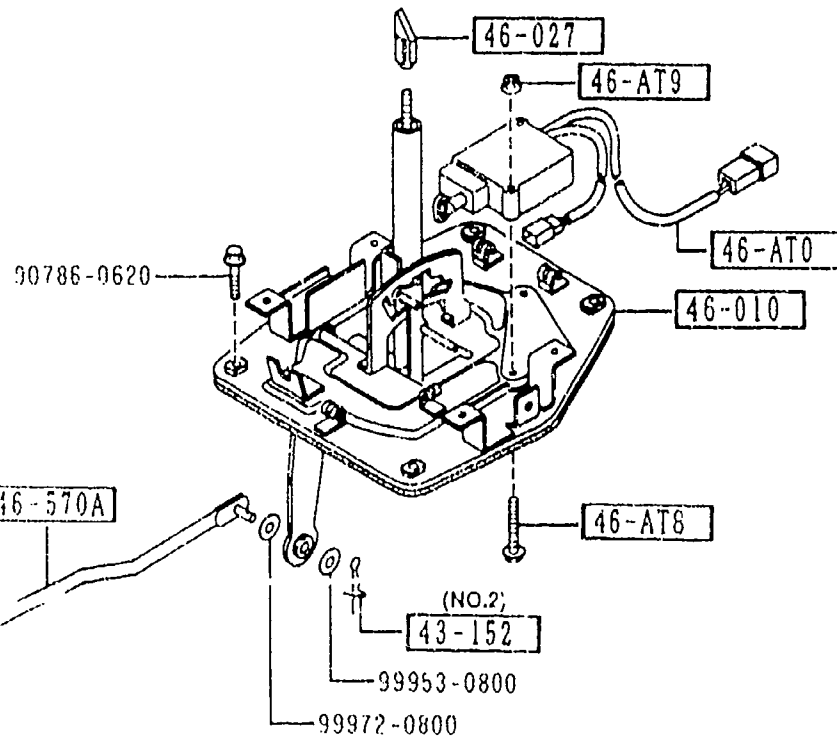
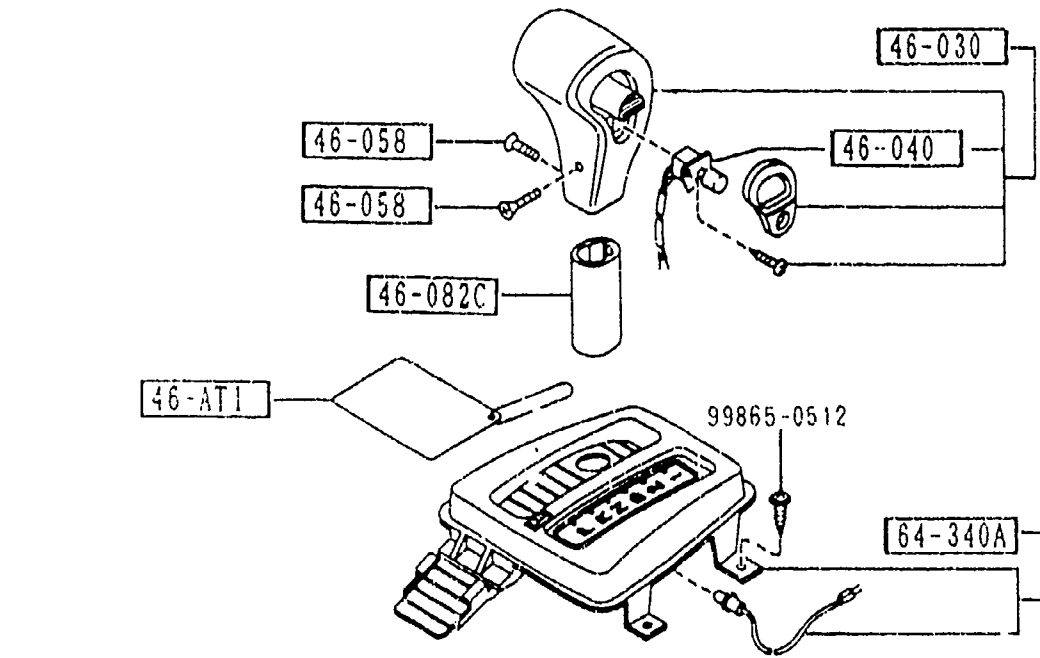
a	b	c	d	e	f	g
45-912D (NO.1)	45-912D (NO.2)	45-913	45-913A	45-914	45-915	45-921

PART NO.	QTY	MODEL/RESTRICTION	MODEL/RESTRICTION	MODEL/RESTRICTION	FROM TO
45-921		CLIP, PIPE			
B210-45-917	1				
45-930		HOLDER 'C', PIPE			
H260-45-930	1	(ILLUST. NO.1)			
H266-45-930A	1	(ILLUST. NO.2)			
93-5106		HOSE			
99351-06999	1	L=1M CUT IT TO USE			
93-5908		HOSE			
99359-0816	1	(ILLUST. NO.1)			
99359-0817	1	(ILLUST. NO.2)			
99359-0818	1	(ILLUST. NO.3)			



PART NO.	QTY	MODEL/RESTRICTION	MODEL/RESTRICTION	MODEL/RESTRICTION	ROW-TO
43-152		PIN, SNAP			
D001-43-152	1	(ILLUST. NO.1)			
FB02-43-152A	1	(ILLUST. NO.2)			
46-AT0		ACTUATOR, SHIFT LOCK			
NA81-46-AT0B	1				
46-AT1		TAG, CAUTION-CHANGE			
FD02-46-AT1	1				-4A01
46-AT8		SCREW			
H338-46-AT8	2				
46-AT9		NUT			
H338-46-AT9	2				-5401
46-010		LEVER, SELECT			
NA81-46-100	1				
46-027		CAM, CHANGE LEVER			
H338-46-027	1				
46-030		KNOB, CHANGE LEVER			
NA81-46-030A A (NA81-46-030B)	1				-5703
NA81-46-030B	1				5703-
46-040		SWITCH, OVER DRIVE CONTROL			
NA81-46-040	1				
46-058		SCREW, CHANGE LEVER KNOB			
FB02-46-058C	2				
46-082C		COVER, SELECT LEVER			
NA03-46-088	1				
46-570A		ROD, SELECTOR-REAR			
NA03-46-570	2				
46-684		BUSH			
1015-46-684A	1				

4A01 NA35\* -603621  
 5401 NA35\* -619598  
 5703 NA35\*\* -700001



PART NO.	QTY	MODEL/RESTRICTION	MODEL/RESTRICTION	MODEL/RESTRICTION	FROM-TO
+-----+   64-340A   +-----+ NA01-64-350A	1	INDICATOR			



**CHASSIS**

**BODY**

**CHASSIS**

**BODY**

**CHASSIS**

**BODY**

**CHASSIS**

**BODY**

**CHASSIS**

**BODY**

**CHASSIS**

**BODY**

**CHASSIS**

**BODY**

**CHASSIS**

**BODY**



**CHASSIS**

**BODY**

**CHASSIS**

**BODY**

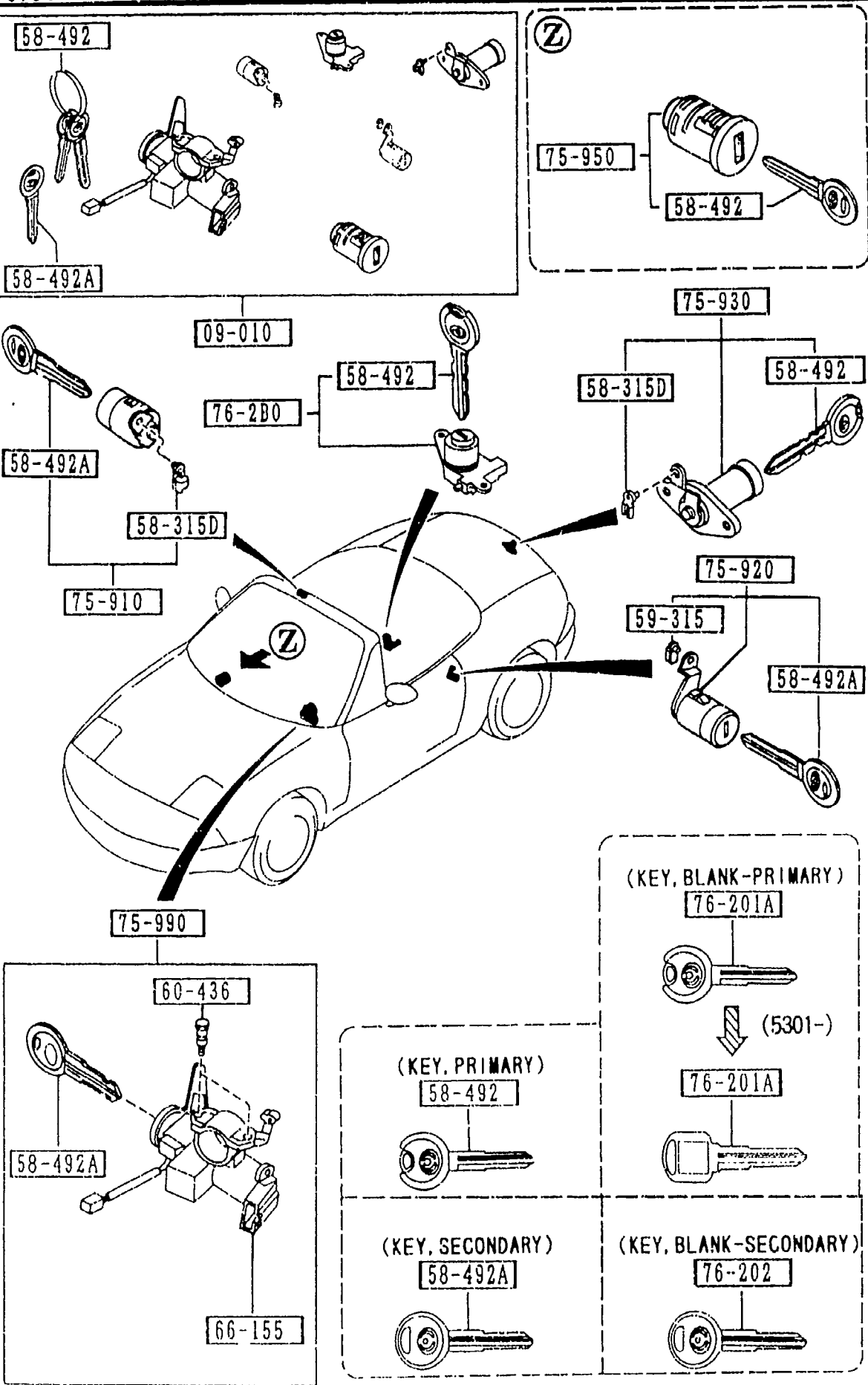
**CHASSIS**

**BODY**

**CHASSIS**

**BODY**

0900 KEY SETS

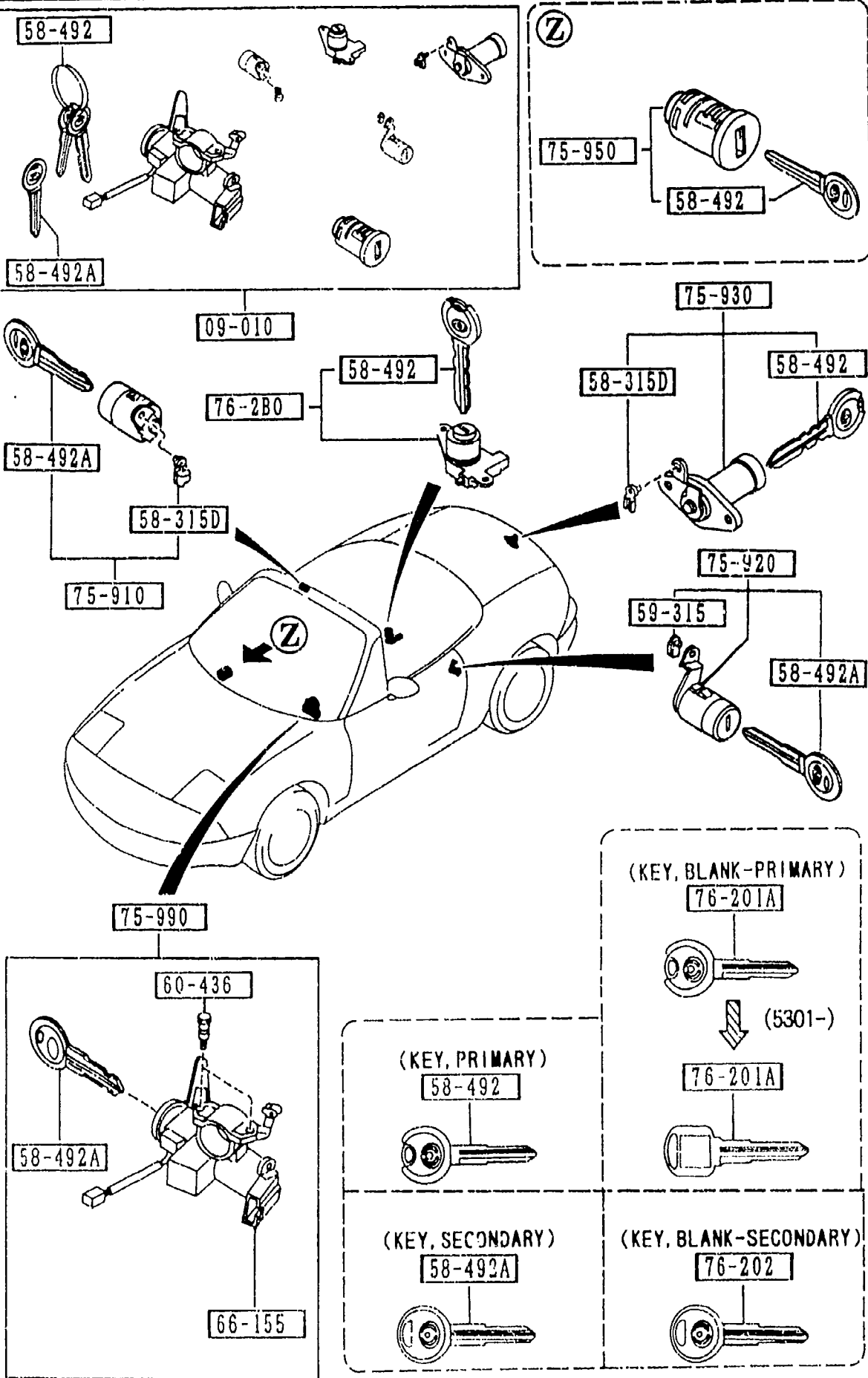


0900 -1 KEY SETS

PART NO.	QTY	MODEL/RESTRICTION	MODEL/RESTRICTION	MODEL/RESTRICTION	FROM-TO
09-010		KEY SET			
NA75-09-010E	1	(MT)			-5401
00	INT-	NA3 NA4 NA5 NA7 BLACK			-5401
NA82-09-010C	1	(AT)			
00	INT-	NA3 NA4 NA5 NA7 BLACK			5401-
NA75-09-010F	1	(MT)			
00	INT-	NA3 NA4 NA5 NA7 NA8 BLACK			5401-
NA82-09-010D	1	(AT)			
00	INT-	NA3 NA4 NA5 NA7 NA8 BLACK			
58-315D		CLIP (R)			
G030-58-315	2				
58-492		KEY, PRIMARY			
FD01-58-492	2	KEY NO. IS REQUIRED			
58-492A		KEY, SECONDARY			
FD01-58-493	1	KEY NO. IS REQUIRED			
59-315		CLIP			
G030-59-315	1				
60-436		BOLT, SET			
H043-66-154	1				
66-155		SWITCH, IGNITION			-5401
D001-66-151 A (D001-66-151A)	1				5401-
D001-66-151A	1				
75-910		KEY SUB SET(R), DOOR			-5301
NA14-76-210F	1				
N001-76-210D	1				5301-
75-920		KEY SUB SET(L), DOOR			
NA14-76-220F	1				-5301

5301 NA35\* -616742  
5401 NA35\* -619598

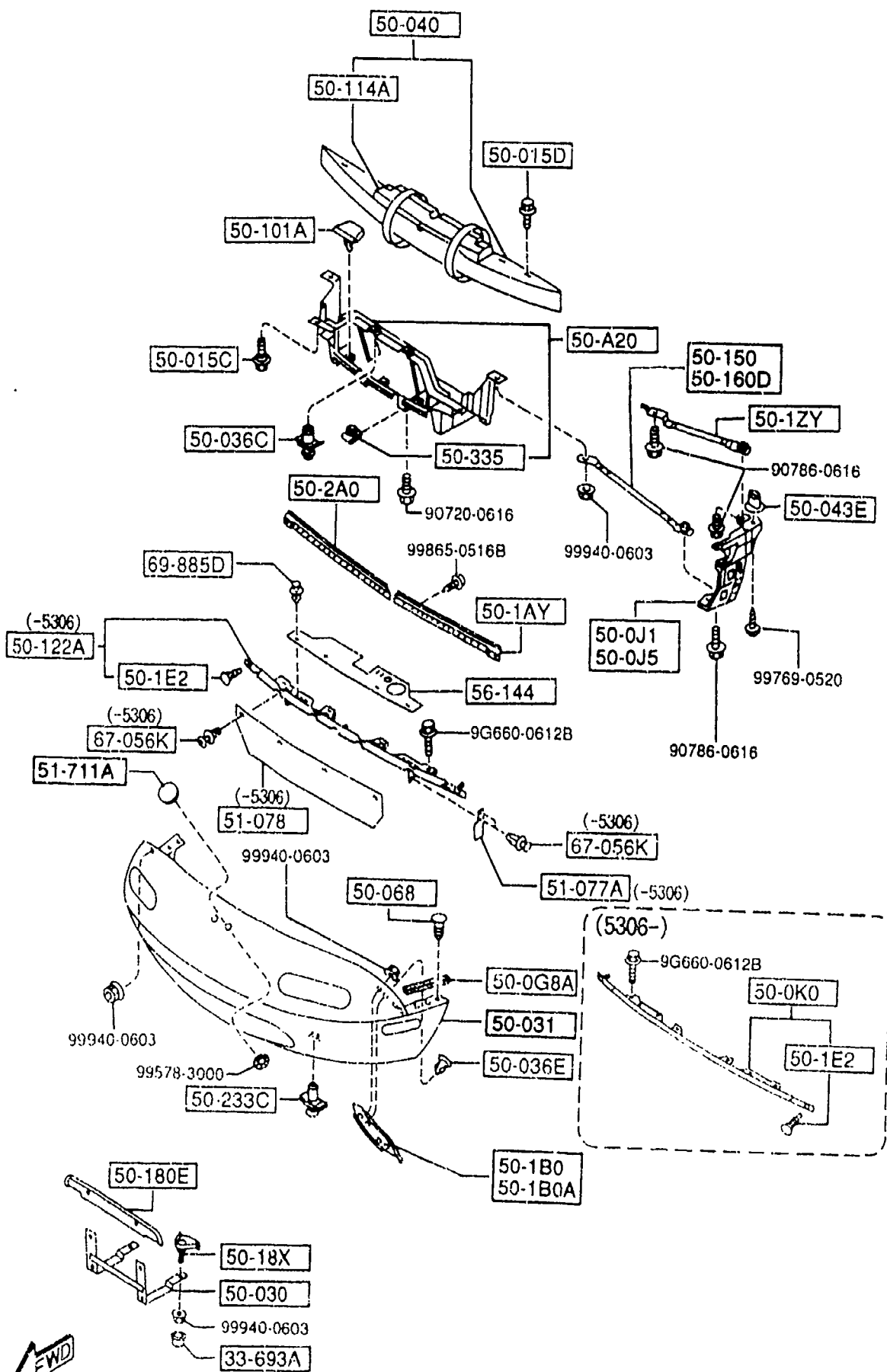
0900 KEY SETS



0900 -2 \* KEY SETS

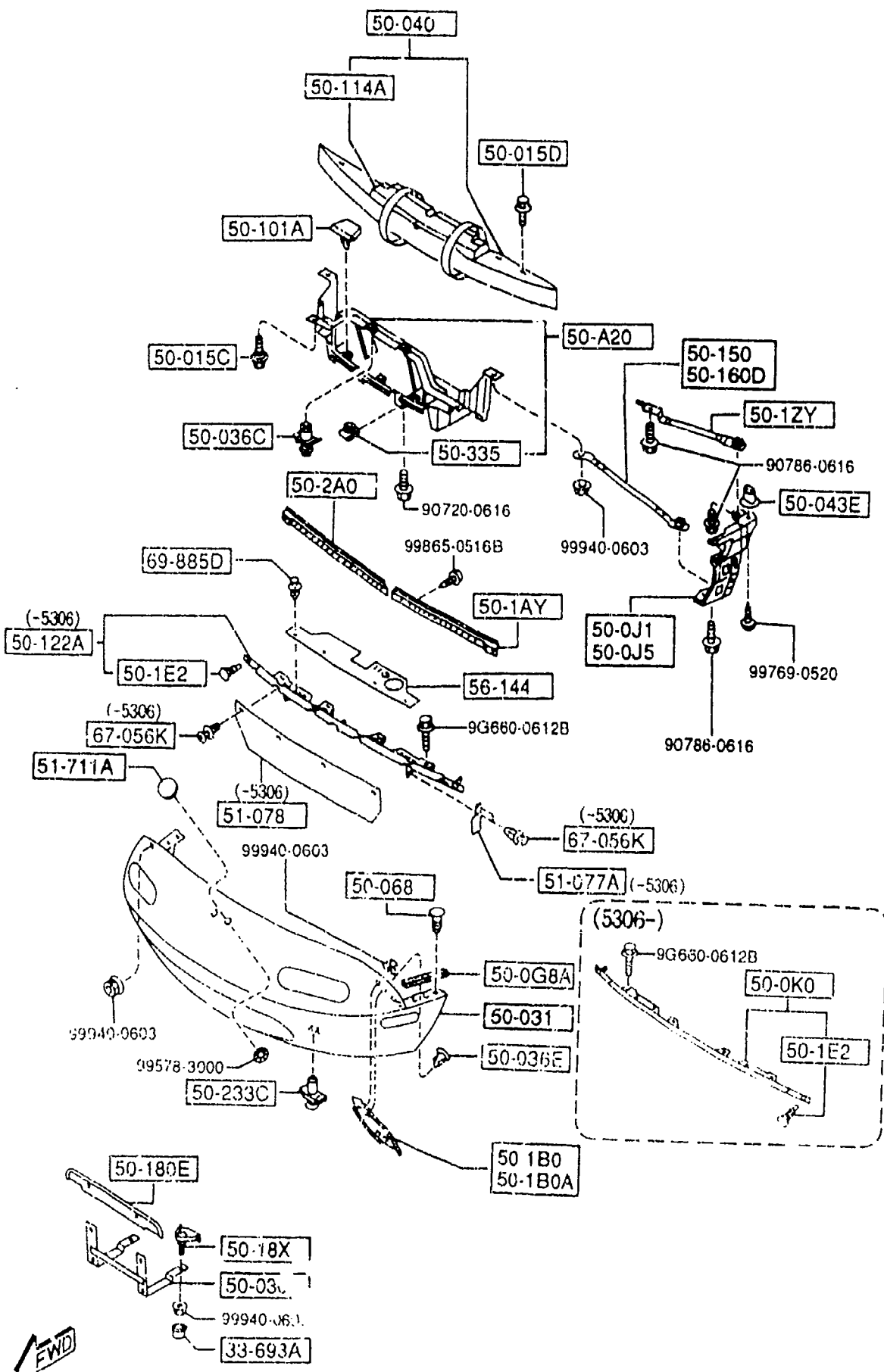
PART NO.	QTY	MODEL/RESTRICTION	MODEL/RESTRICTION	MODEL/RESTRICTION	FROM-TO
CONT'D N001-76-220D	1				5301-
+-----+   75-930   +-----+		KEY SUB SET,TRUNK			
NA01-76-230C A (NA01-76-230D)	1				-5301
NA01-76-230D	1				5301-
+-----+   75-950   +-----+		KEY SUB SET,GLOVE			
NA75-76-250	1				-5301
EA70-76-250B	1				5301-
+-----+   75-990   +-----+		KEY SUB SET,ST.LOCK			
NA75-76-290 A (NA75-76-290B)	1 (MT)				-5301
NA81-76-290 A (NA81-76-290B)	1 (AT)				-5301
NA75-76-290B	1 (MT)				5301-
NA81-76-290B	1 (AT)				5301-
+-----+   76-2B0   +-----+		KEY SUB SET,CONSOLE			
NA01-76-2B0C	1				-5301
NA01-76-2B0D	1				5301-
+-----+   76-201A   +-----+		KEY, BLANK-PRIMARY			
FD01-76-201	1				-5301
BOYA-76-201	1				5301-
+-----+   76-202   +-----+		KEY, BLANK-SECONDARY			
FD01-76-202	1				-5301

5301 NA35\* -616742



PART NO.	QTY	MODEL/RESTRICTION	MODEL/RESTRICTION	MODEL/RESTRICTION	FROM-TO
33-693A		CAP, BLEEDER SCREW			
0259-33-693	2				
50-A20		GUIDE, AIR			
NA01-50-A20A	1	(W/O A. LOCK BRAKE)			
NA23-50-A20	1	(W/A. LOCK BRAKE)			
50-0G8A		SEAL, RUBBER-FRONT BUMPER			
NA01-50-0G9	2				
50-0J1		RETAINER(R), FRONT BUMPER			
NA01-50-0J1	1				
50-0J5		RETAINER(L), FRONT BUMPER			
NA01-50-0J5	1				
50-0K0		RETAINER, FASCIA			
NA01-50-0K0B	1				5306-
50-015C		BOLT			
FB01-50-132	2				
50-015D		BOLT			
NA01-50-0Z2	8				
50-030		HOLDER, NO. PLATE			
NA01-50-180A	1				
50-031		BUMPER, FRONT			
NAY1-50-030	1	PAINT TO MATCH			
50-036C		FASTENER			
BF67-50-033	2				
50-036E		CLIP			
KA01-50-102	6				
50-040		REINFORCEMENT, BUMPER			
NA01-50-070	1	(W/O DAY RUNNING LAMP)			

5306 NA35\* -617256

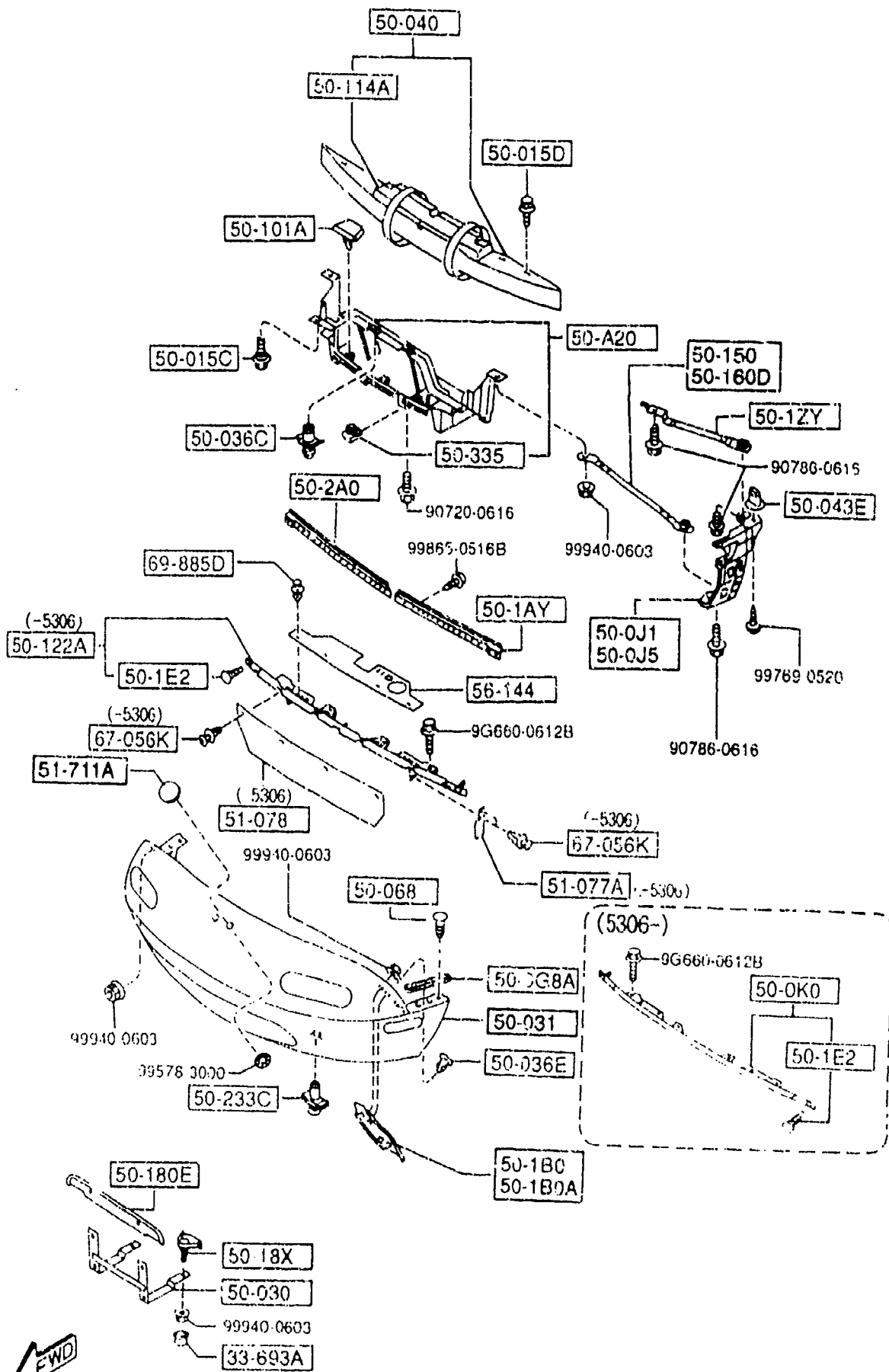


PART NO.	QTY	MODEL/RESTRICTION	MODEL/RESTRICTION	MODEL/RESTRICTION	FROM-TO
50-043E		SLIDE 'A', BUMPER			
B092-50-032	2				
50-068		CLIP			
NA01-50-068	6				
50-1AY		PLATE, SET NO. 1			
NA01-50-1AYC	1				
50-1B0		PLATE NO. 2(R), SET-F. BUMPER			
NA01-50-1B0	1				
50-1B0A		PLATE NO. 2(L), SET-F. BUMPER			
NA01-50-1C0	1				
50-1E2		BOLT			
NA01-50-1E2	2				
50-1ZY		BRACKET, FENDER			
NA01-50-1ZYB	2				
50-101A		COVER, GRILLE			
NAG1-50-101A	3				
50-114A		SPACER, E. A. FOAM			
NA01-50-114	1				
50-122A		RETAINER, FRT. BUMPER			
NA75-50-0K0	1				
50-150		BRACKET(R), FRT BUMPER-LWR			
NA01-50-160	1	(W/O A. LOCK BRAKE)			
50-160D		BRACKET(L), F. BUMPER SIDE			
NA01-50-160	1				
50-18X		BRACKET, LICENCE PLATE			
NA01-50-18X	2				
50-180E		PROTECTOR, NO. PLATE			
FB01-50-144	1				

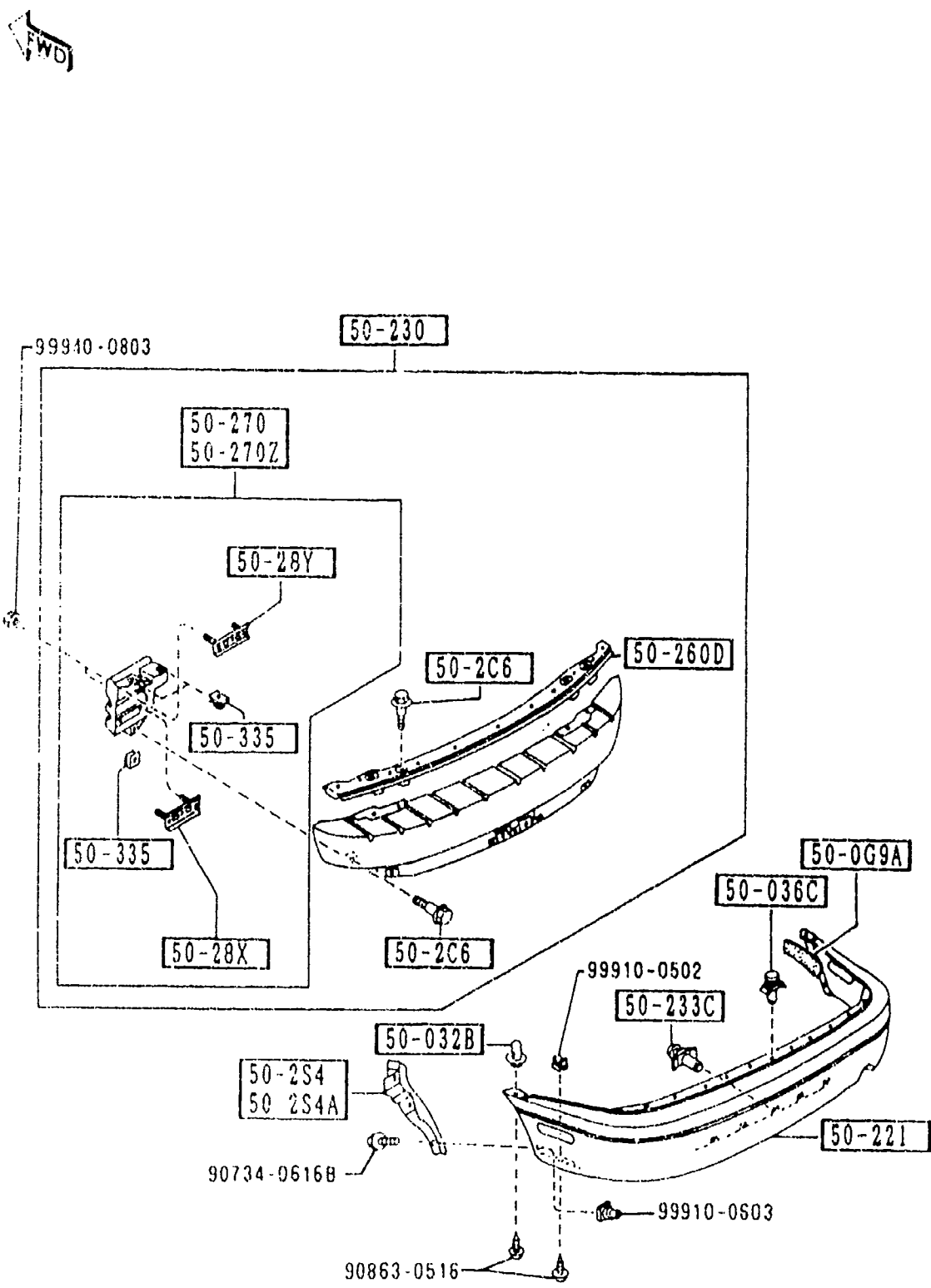
5306 NA35\* -617256

-5306



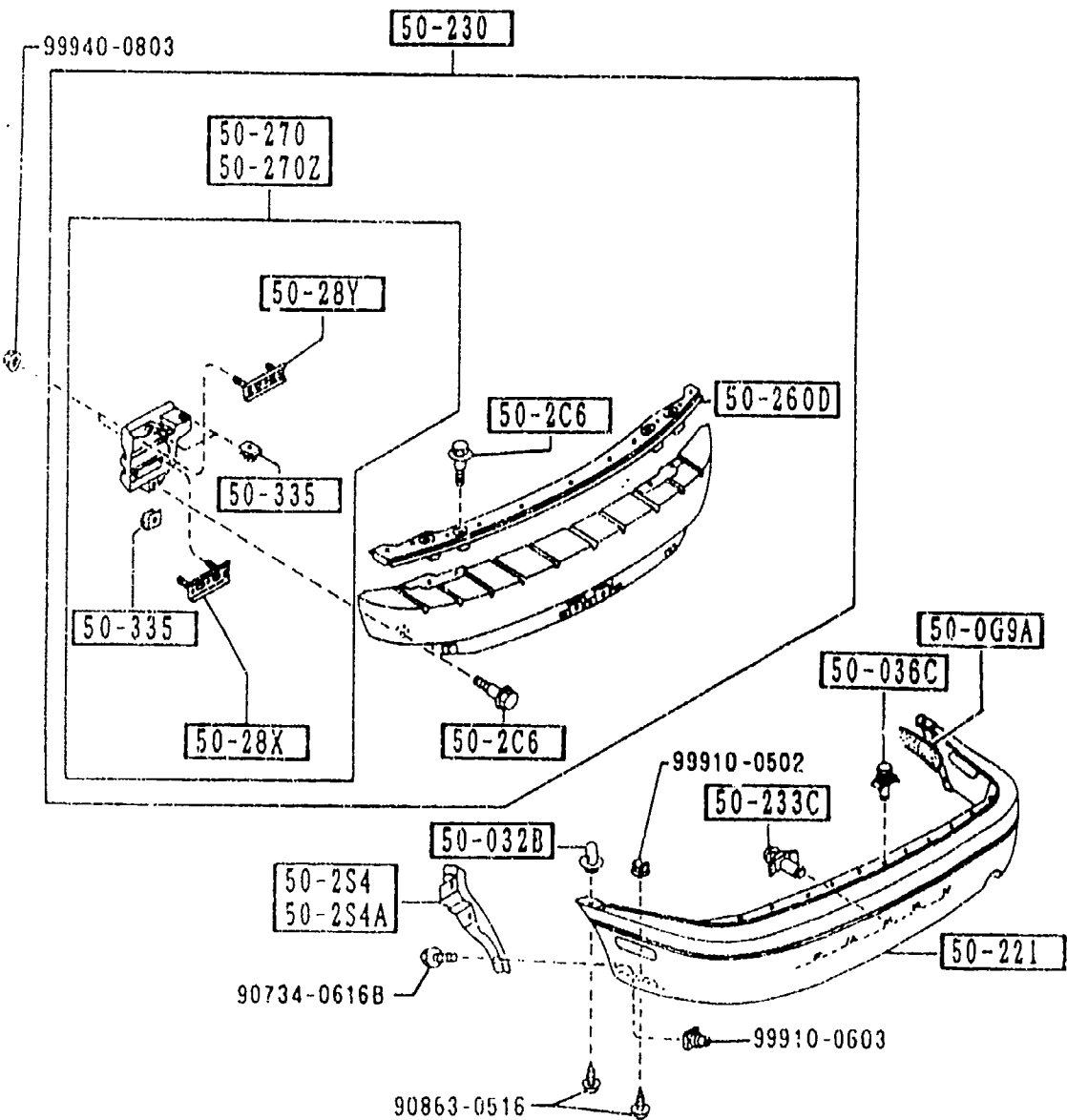


PART NO.	QTY	MODEL/RESTRICTION	MODEL/RESTRICTION	MODEL/RESTRICTION	FROM-TO
50-2A0	1	SET PLATE NO.1(R),RR BUMPER			
NA01-50-2A0B					
50-233C	2	FASTENER, REAR BUMPER			
BF82-50-233					
50-335	4	NUT, CLIP			
FB01-50-133C					
51-077A	2	SEAL, SIDE			-5306
NA75-50-0K8					
51-078	1	SEAL, LOWER			-5306
NA75-50-0K6A					
51-711A	1	ORNAMENT, FRONT			
BB1H-51-731					
56-144	1	SEAL, BUMPER			
NA75-50-0K7A					
67-056K	8	RIVET			-5306
UB39-50-795					
69-885D	4	FASTENER			
NA01-56-145					
5306 NA35* -617256					

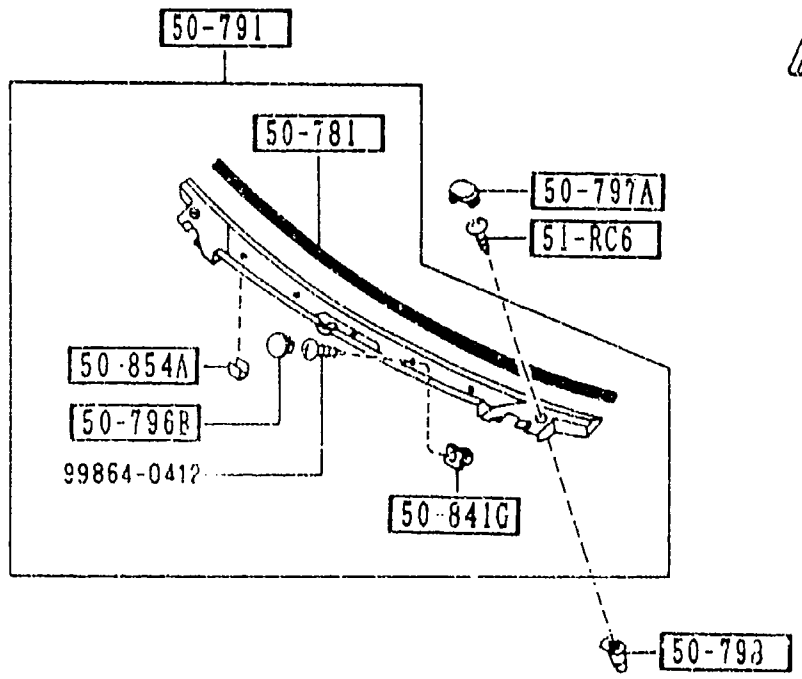
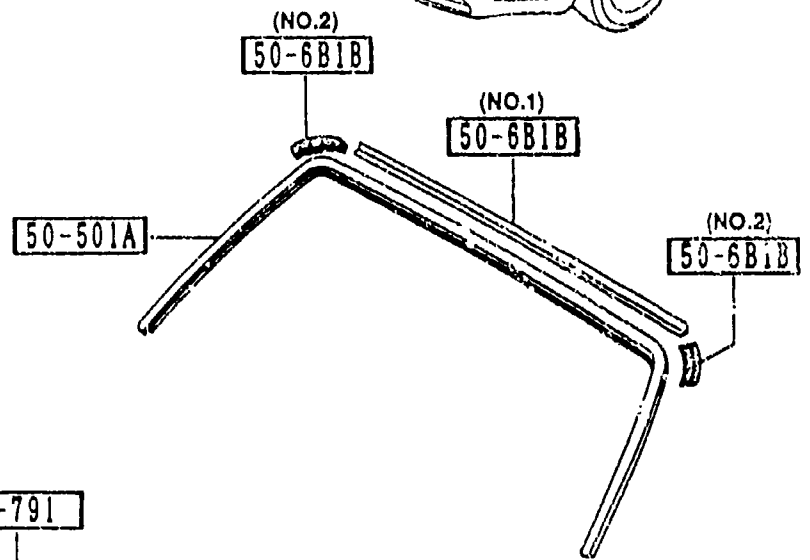
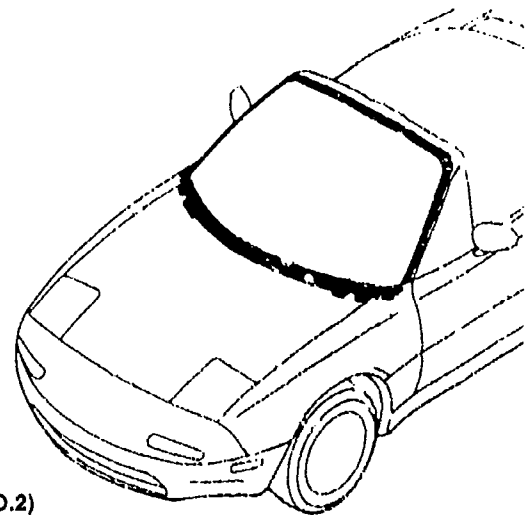


PART NO.	QTY	MODEL/RESTRICTION	MODEL/RESTRICTION	MODEL/RESTRICTION	FROM TO
50-0G9A		SEAL, RUBBER-REAR BUMPER			
NA01-50-0G9	2				
50-032B		SLIDE 'UP.', BUMPER			
GJ21-50-032	2				
50-036C		FASTENER			
BF67-50-033	11				-4A03
BF67-50-033	7				4A03-
50-2C6		BOLT			
NA01-50-2C6	6				
50-2S4		SHIELD(R), SPLASH-R. BUMPER			
NA01-50-2S4	1				
50-2S4A		SHIELD(L), SPLASH-R. BUMPER			
NA01-50-2S5	1				
50-221		BUMPER, REAR			
NAY1-50-220A	1	PAINT TO MATCH			
50-230		REINFORCEMENT, BUMPER			
NA01-50-260	1	(W/O DAY RUNNING LAMP)			
50-233C		FASTENER, REAR BUMPER			
BF82-50-233	5				
50-260D		RETAINER, R. BUMPER			
NA01-50-2J0	1				
50-270		STAY(R), RR. BUMPER			
NA01-50-280A	1				
50-270Z		STAY(L), RR. BUMPER			
NA01-50-290A	1				
50-28X		PLATE SET			
NA01-50-28XC	2				

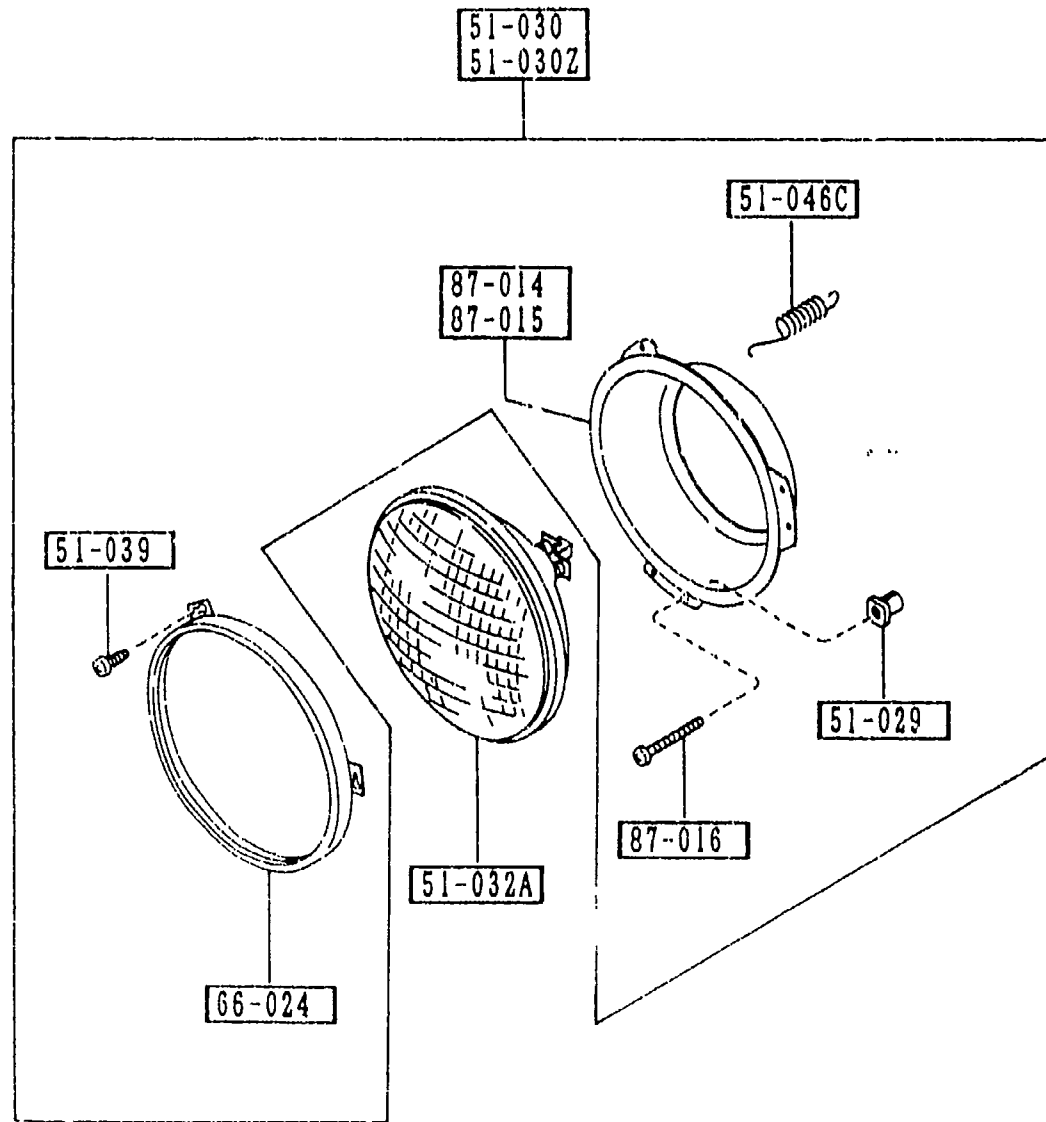
4A03 NA35\* -603621



PART NO.	QTY	MODEL/RESTRICTION	MODEL/RESTRICTION	MODEL/RESTRICTION	FROM-TO
50-28Y		PLATE SET			
NA01-50-28YC	2				
50-335		NUT, CLIP			
NA01-50-133	6				

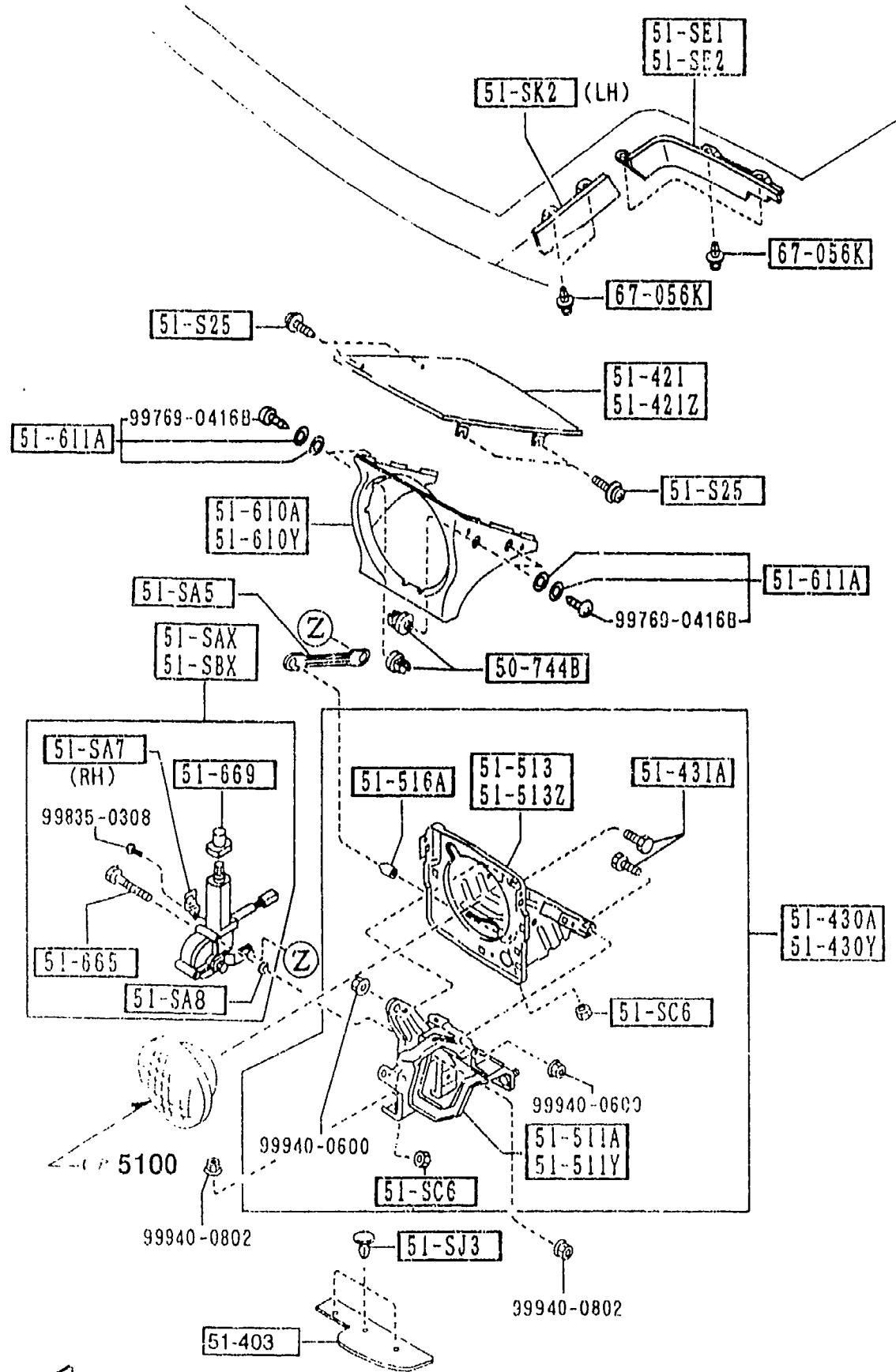


PART NO	QTY	MODEL/RESTRICTION	MODEL/RESTRICTION	MODEL/RESTRICTION	FROM-TO
50-501A		MOULD(UP), FRT. WINDOW			
NA01-50-601	1				
50-6B1B		PROTR, MOULD-FRT WIND OW			
NA01-50-6B1	1	(ILLUST. NO. 1)			
NA01-50-6B2	2	(ILLUST. NO. 2)			
50-781		PROTECTOR, COWL GRILL E			
NA01-50-792A	1				
50-791		GRILLE, COWL			
NA01-50-790E	1				
50-796A		CAP			
B455-50-796A	5				
50-797A		CAP			
NA01-50-797A	2				
50-798		SCREW, GRUMMET			
NA01-50-798	2				
50-841G		GRUMMET, SCREW			
NA01-51-799	5				
50-854A		PROTECTOR			
NA01-50-794	4	('93 MODEL)			
51-RC6		SCREW, SIDE GAPMISH			
1.272-51-RC6	2				



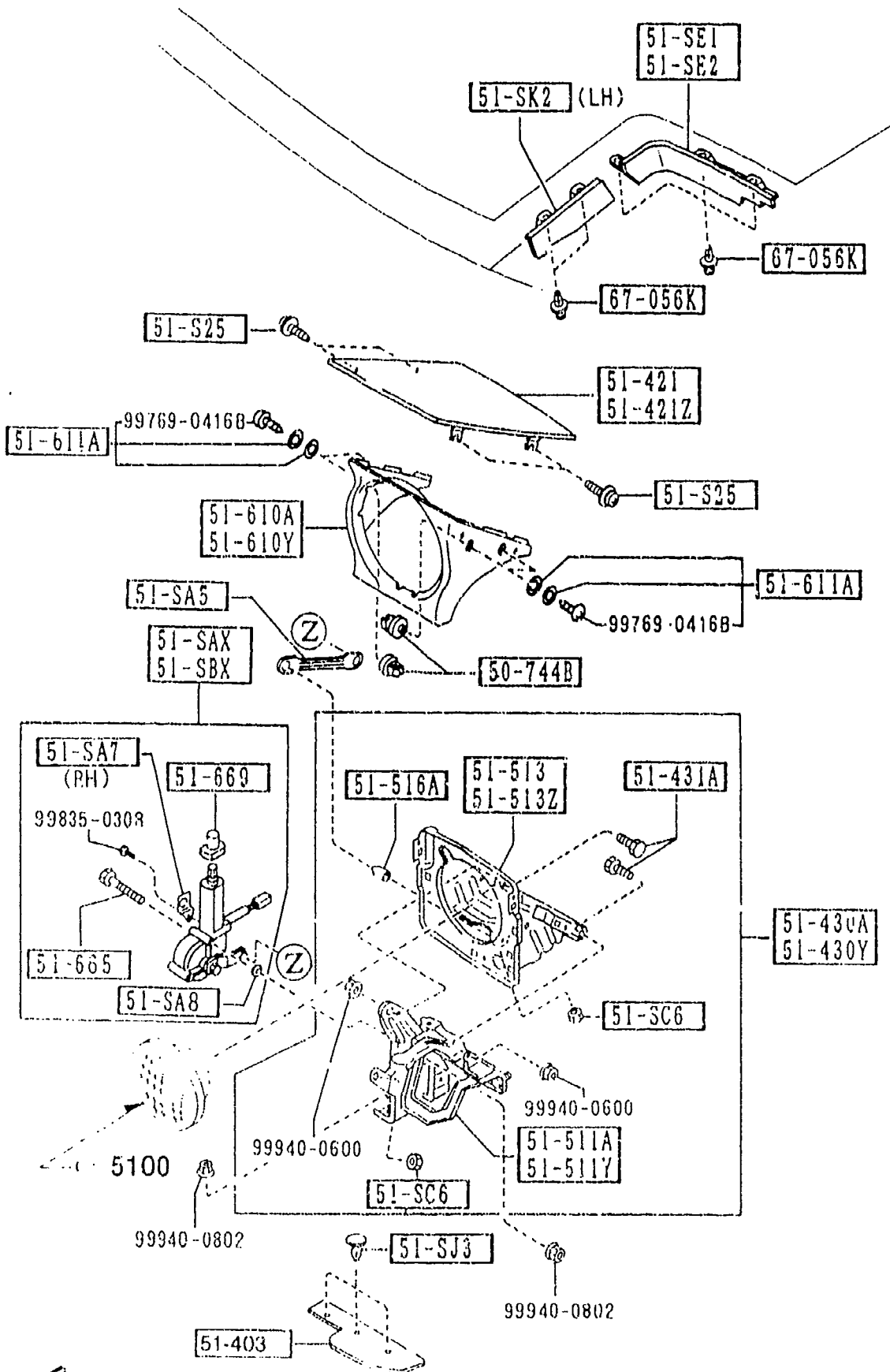
PART NO.	QTY	MODEL/RESTRICTION	MODEL/RESTRICTION	MODEL/RESTRICTION	FROM TO
51-029		GROMMET, SCREW			
0483-66-061A	4				
51-030		LAMP SET(R), HEAD			
BBN1-51-030	1				
51-030Z		LAMP SET(L), HEAD			
BBN1-51-040	1				
51-032A		UNIT, HEAD LAMP			
NA02-51-031	2				
51-039		SCREW			
B481-51-0E3	6				
51-046C		SPRING			
NA01-51-046	2				
66-024		RING, RETAINING			
NA01-51-033A	2				
87-014		RING(R) MOUNTING			
NA01-51-032	1				
87-015		RING(L) MOUNTING			
NA01-51-034	1				
87-016		SCREW, ADJUST			
NA01-51-037	4				

FWD



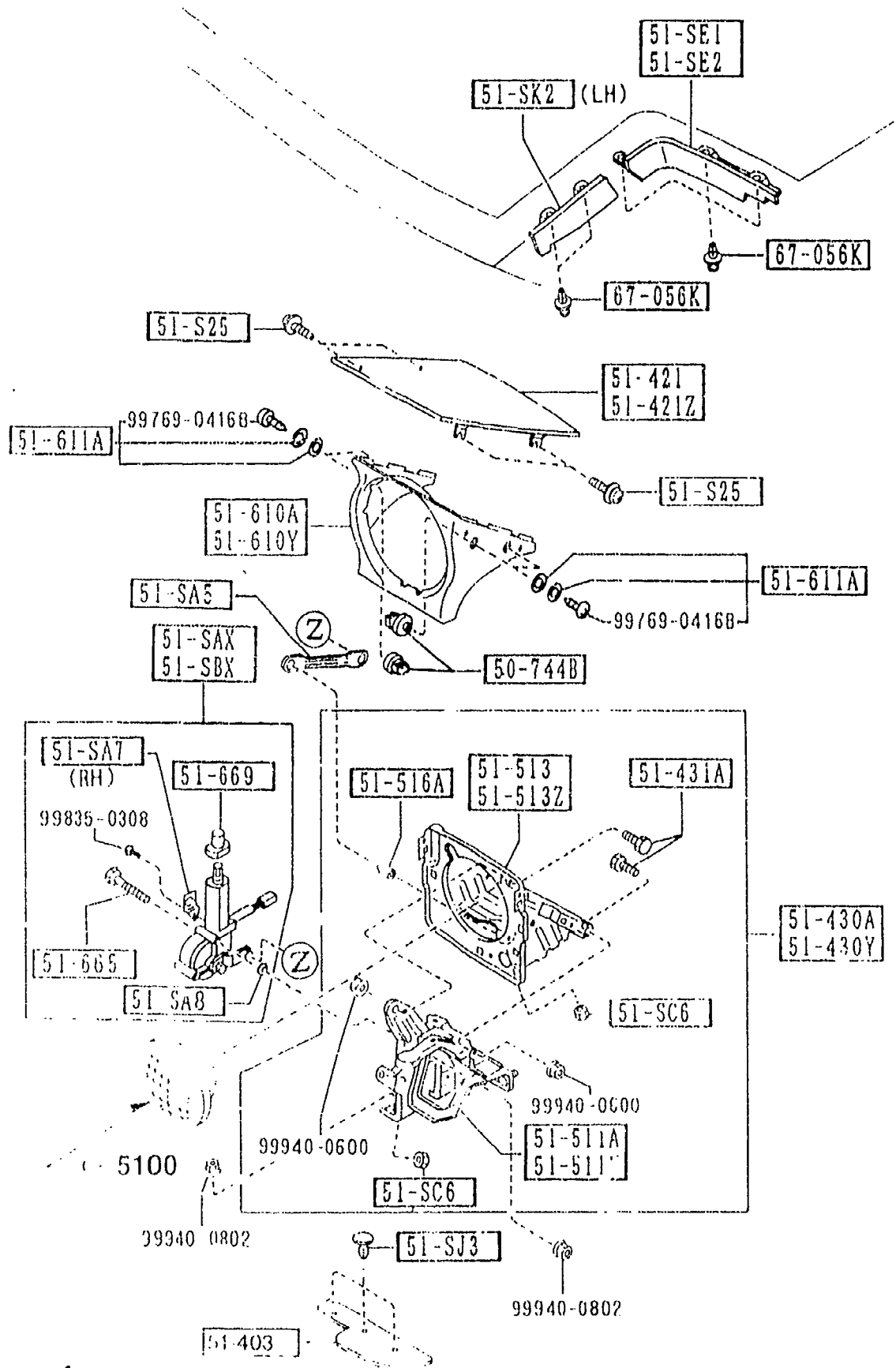
PART NO.	QTY	MODEL/RESTRICTION	MODEL/RESTRICTION	MODEL/RESTRICTION	FROM-TO
50-744B		GROMMET, SCREW			
B481-50-744	8				
51-SAX		MOTOR(R), RETRACTABLE HEAD			
NA01-51-SAX	1				
51-SA5		ROD, RETRACTABLE			
NA01-51-SA5	2				
51-SA7		BRACKET, CLIP			
NA01-51-SA7	1				
51-SAB		WASHER			
NA01-51-SAB	6				
51-SBX		MOTOR(L), RETRACTABLE HEAD			
NA01-51-SBX	1				
51-SC6		NUT, STOPPER-LAMP HINGE			
KA01-51-SC6	4				
51-SE1		PROTECTOR(R), RETRA H/L			
NA01-51-SE1	1				
51-SE2		PROTECTOR(L), RETRA. H/L			
NA01-51-SE2	1				
51-SJ3		CLIP			
NA01-51-SJ3	6				
51-SK2		PROTECTOR(L), RETRA. SIDE			
NA01-51-SK2	1				
51-S25		BOLT, LAMP LTD			
BS34-51-S25A	8				
51-403		PROTECTOR			
NA01-51-SJ2	2				-5508
AN(NA01-51-SJ2A)					
NA01-51-SJ2A	2				5508-
5508 NA35* -620210					

FWD



PART NO.	QTY	MODEL/RESTRICTION	MODEL/RESTRICTION	MODEL/RESTRICTION	FROM-10
51-421		LID(R),LAMP			
NA01-51-SH1B	1				
51-421Z		LID(L),LAMP			
NA01-51-SH2B	1				
51-430A		HINGE(R),LID-LAMP			
NA01-51-SC6J	1				
51-430Y		HINGE(L),LID-LAMP			
NA01-51-SD0B	1				
51-431A		BOLT,HINGE			
KA01-51-SD7	4				
51-511A		BRACKET(R),HINGE-LAMP LID			
NA01-51-SC1A	1				
51-511Y		BRACKET(L),HINGE-LAMP LID			
NA01-51-SD1A	1				
51-513		HOUSING(R),LAMP-LID HINGE			
NA01-51-SC5B	1				
51-513Z		HOUSING(L),LAMP-LID HINGE			
NA01-51-SD5B	1				
51-516A		CAP,HINGE-H.L.RETRACT TABLE			
KA01-51-SD6	2				
51-610A		BEZEL(R),HEAD LAMP			
NA01-50-741	1				
51-610Y		BEZEL(L),HEAD LAMP			
NA01-50-751	1				
51-611A		SCREW,HEAD LAMP BEZEL			
B481-50-75X	8				
51-665		BOLT,MOTOR RETRACT H/LAMP			
FB01-51-665	6				

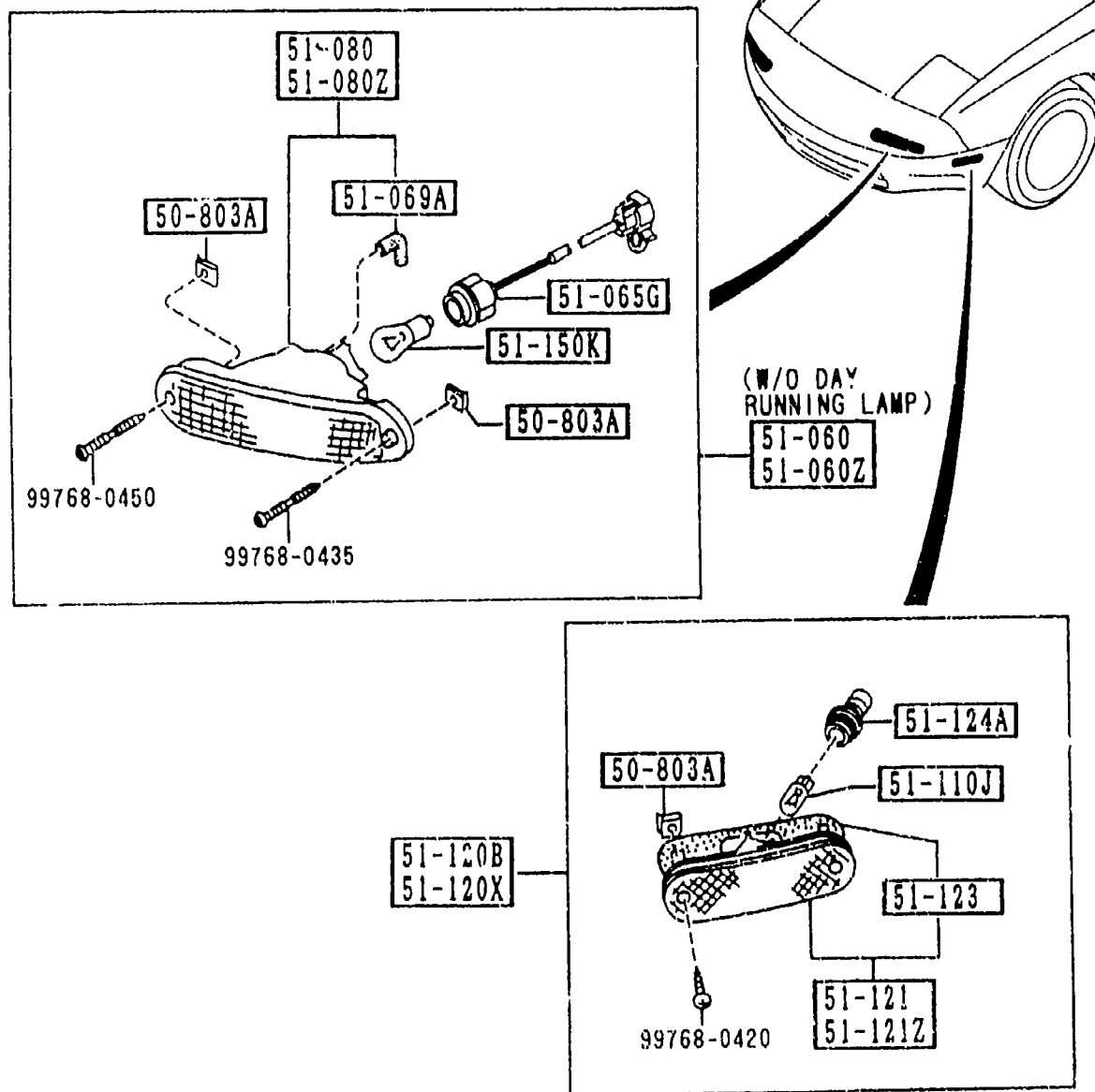
EWG



PART NO.	QTY	MODEL/RESTRICTION	MODEL/RESTRICTION	MODEL/RESTRICTION	FROM TO
51-669		BODY, MOTOR-RETRACT H			
NA01-51-669	2				
67-056K		RIVET			
UB39-50-795	8				

2-N 5



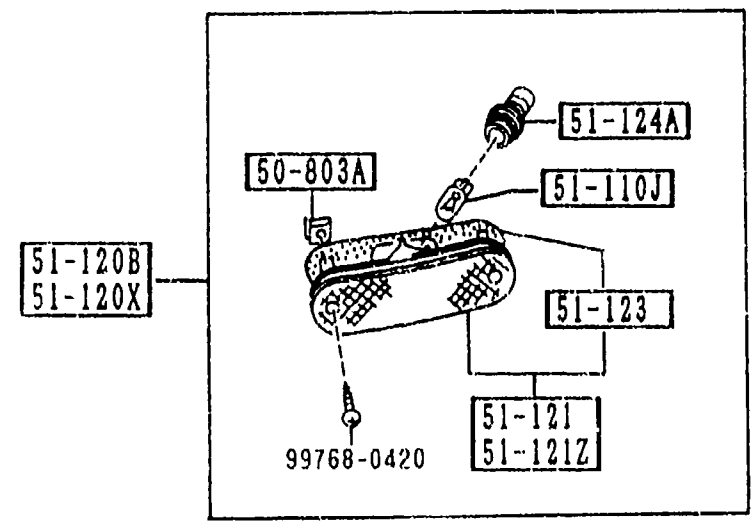
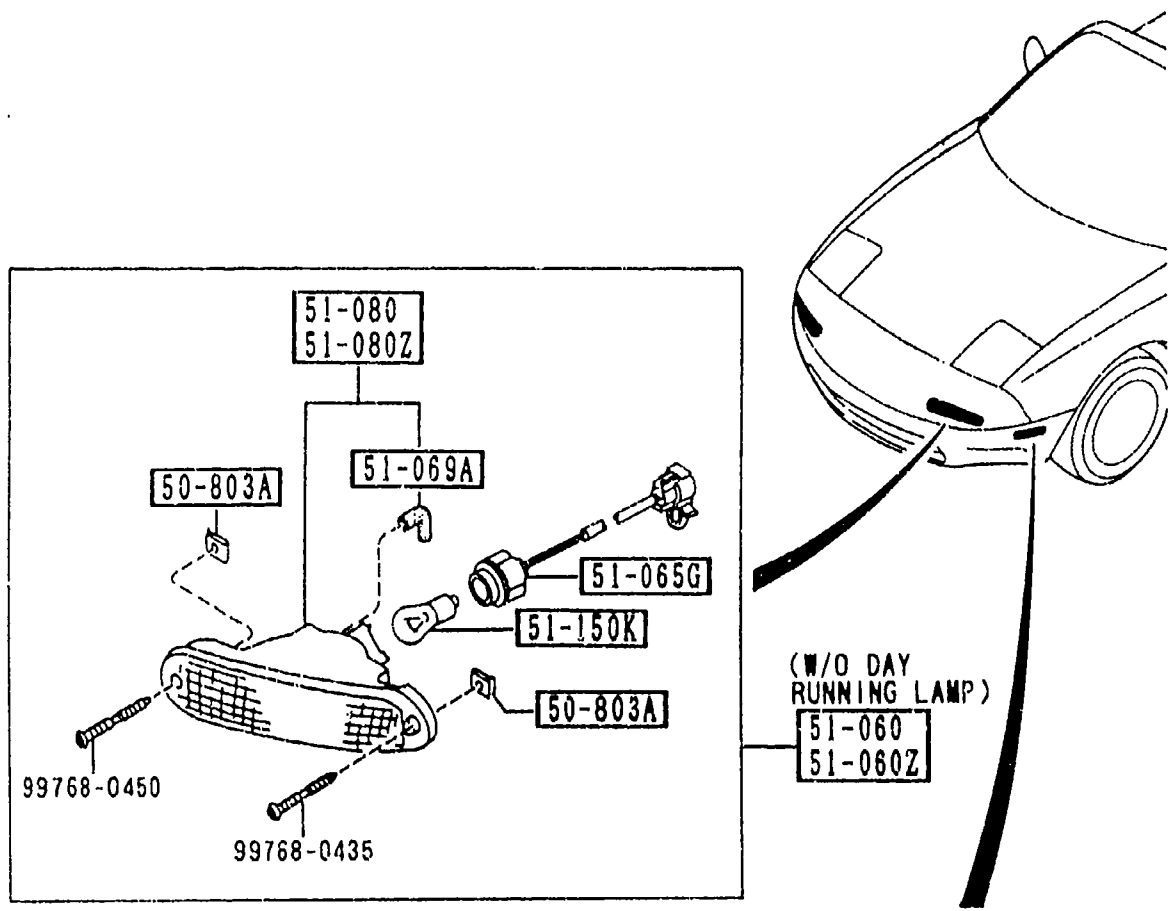


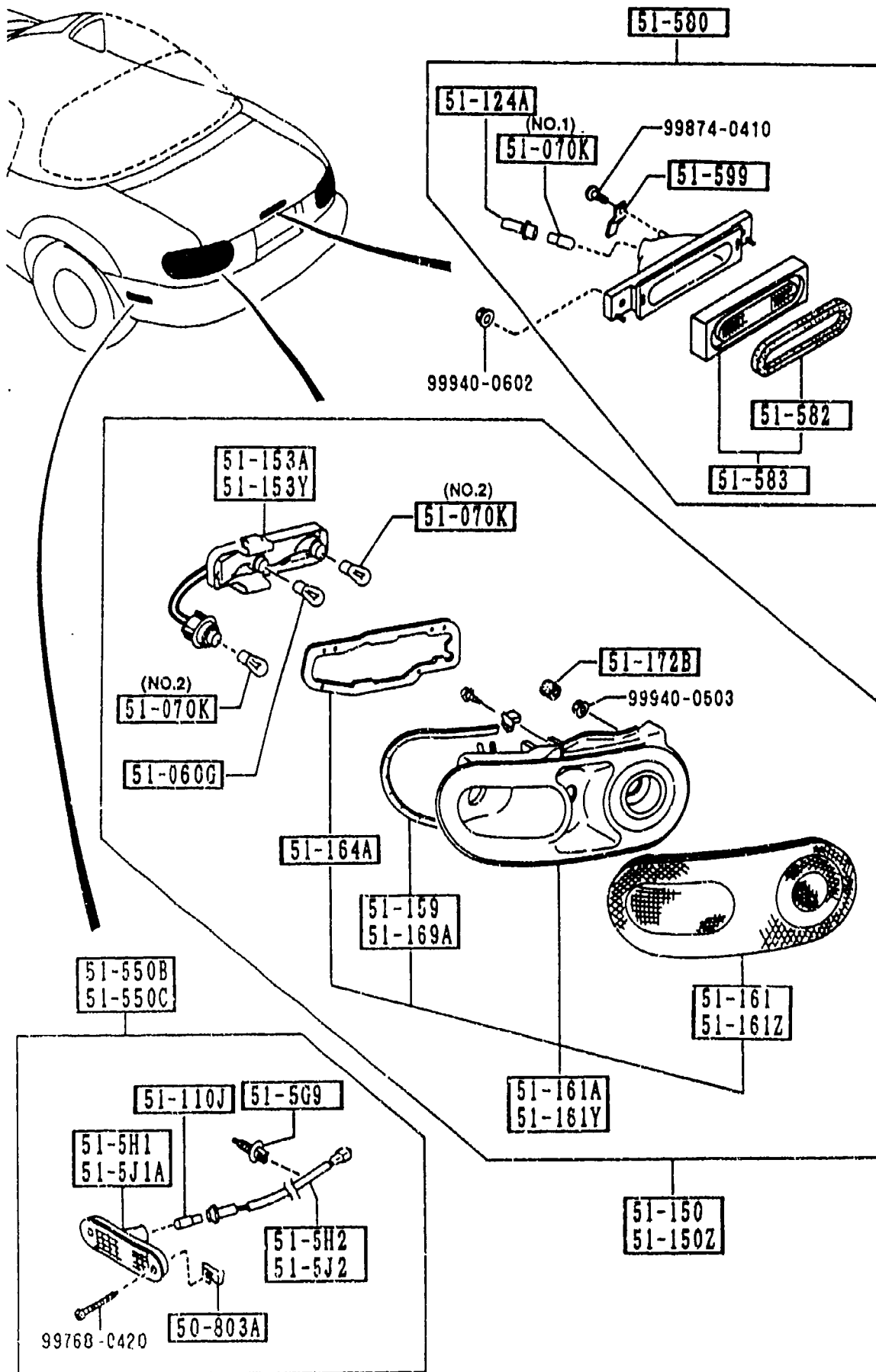
PART NO.	QTY	MODEL/RESTRICTION	MODEL/RESTRICTION	MODEL/RESTRICTION	FROM-TO
50-803A		NUT, SIDE PROTECTOR			
G158-50-803	8				
51-060		LAMP SET(R), FRT COMB			
8BN1-51-060	1	(W/O DAY RUNNING LAMP)			
51-060Z		LAMP SLT(L), FRT COMB			
8BN1-51-070	1	(W/O DAY RUNNING LAMP)			
51-065G		SOCKET, F. COMB. LAMP			
NA01-51-064	2	(W/O DAY RUNNING LAMP)			
51-069A		TUBE, HEAD LAMP			
NA01-51-069	2				
51-080		LENS & HOUSING(R)			
NA01-51-06XA	1				
51-080Z		LENS & HOUSING(L)			
NA01-51-07XA	1				
51-110J		BULB			
99701-6038	2	12V 3.8W			
51-120B		LAMP SET(R), SIDE TURN			
8BN1-51-120	1				
51-120X		LAMP SET(L), SIDE TURN			
8BN1-51-130	1				
51-121		LENS & BODY(R)			
NA01-51-5EXA	1				
51-121Z		LENS & BGDY(L)			
NA01-51-5FXA	1				
51-123		GASKET, SIDE TURN			
NA01-51-5D3A	2				

5105 -2 \* FRONT COMBINATION LAMPS

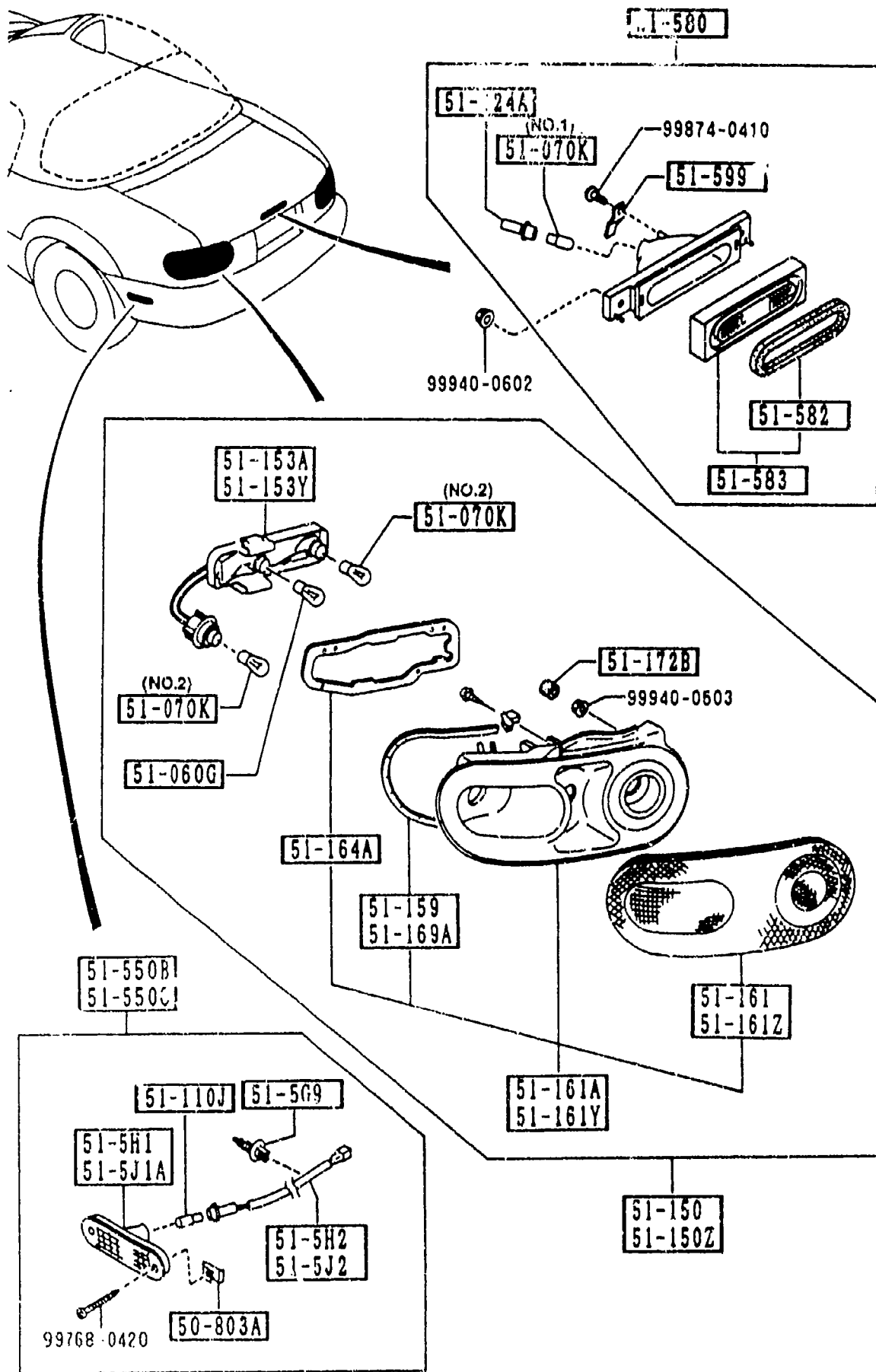
5105 FRONT COMBINATION LAMPS

PART NO.	QTY	MODEL/RESTRICTION	MODEL/RESTRICTION	MODEL/RESTRICTION	FROM-TO
51-124A		SOCKET, SIDE TURN			
NA01-51-5E2	2				
51-150K		BULB			
99701-4278V	2	A12V 27/8W			

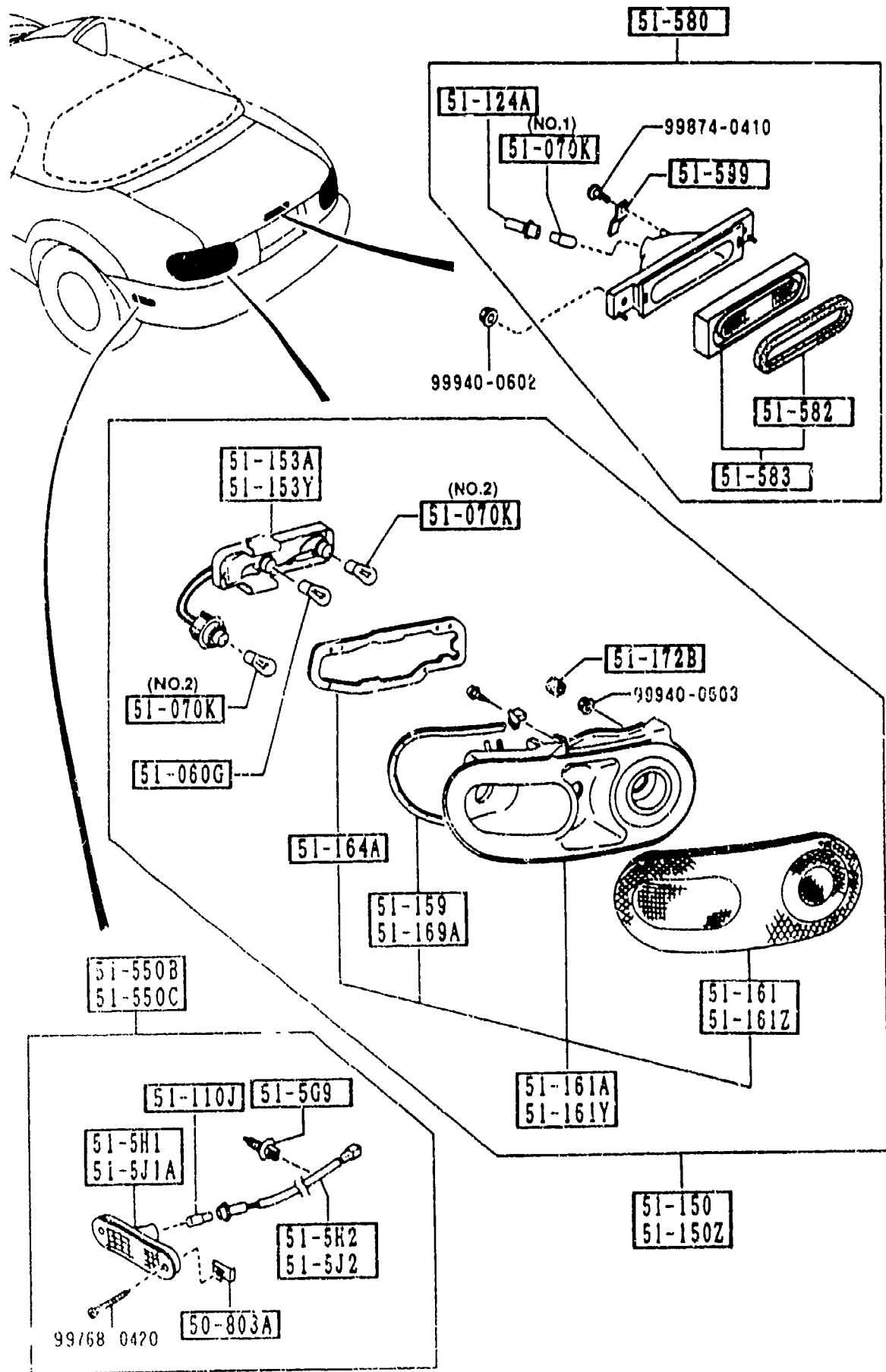




PART NO.	QTY	MODEL/RESTRICTION	MODEL/RESTRICTION	MODEL/RESTRICTION	FROM-TO
50-803A		NUT, SIDE PROTECTOR			
G158-50-803	4				
51-060G		BULB			
99701-4278	2	12V 27W/8W			
51-070K		BULB			
99700-7180	1	A12V 18.4W (ILLUST. NO.1)			
99701-3270	4	12V 27W (ILLUST. NO.2)			
51-110J		BULB			
99701-6038	2	12V 3.8W			
51-124A		SOCKET, SIDE TURN			
BJ38-51-584	1				
51-150		LAMP SET(R), RR.COMB.			
8BN1-51-150	1				
51-150Z		LAMP SET(L), RR.COMB.			
8BN1-51-160	1				
51-153A		SOCKET(R), RR.COMB.			
N001-51-155A	1				
51-153Y		SOCKET(L), RR.COMB.			
N001-51-165A	1				
51-159		PROTECTOR(R), 'A'			
NA01-51-159	1				
51-161		LENS(R), RR.COMB.			
NA01-51-15XC	1				
51-161A		LENS & BODY(R), RR CO MB.			
NA01-51-170B	1				
51-161Y		LENS & BODY(L), RR CO MB.			

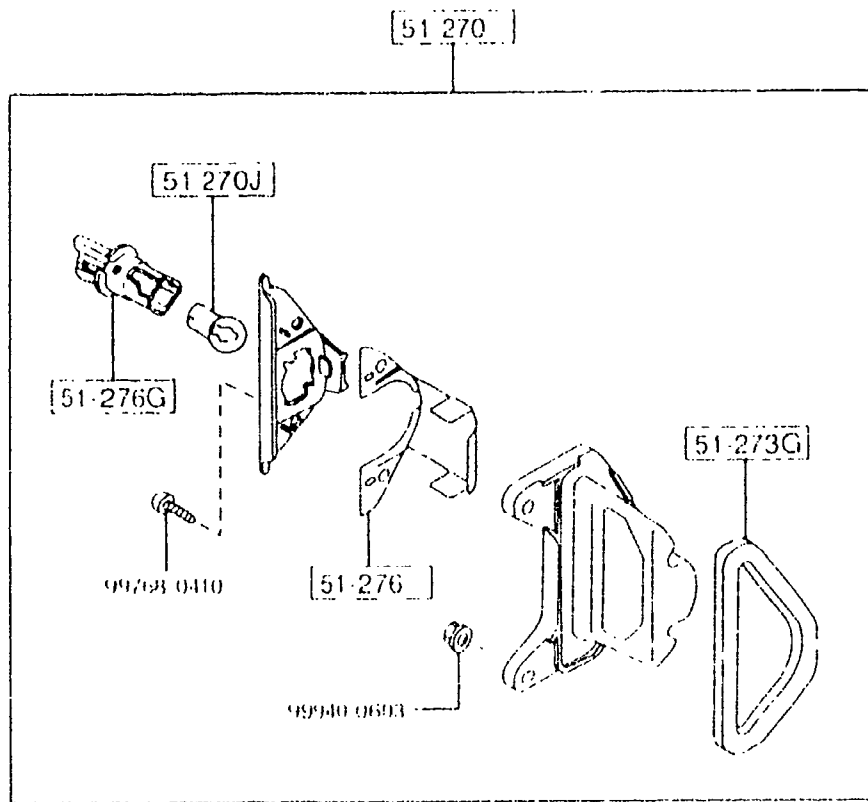


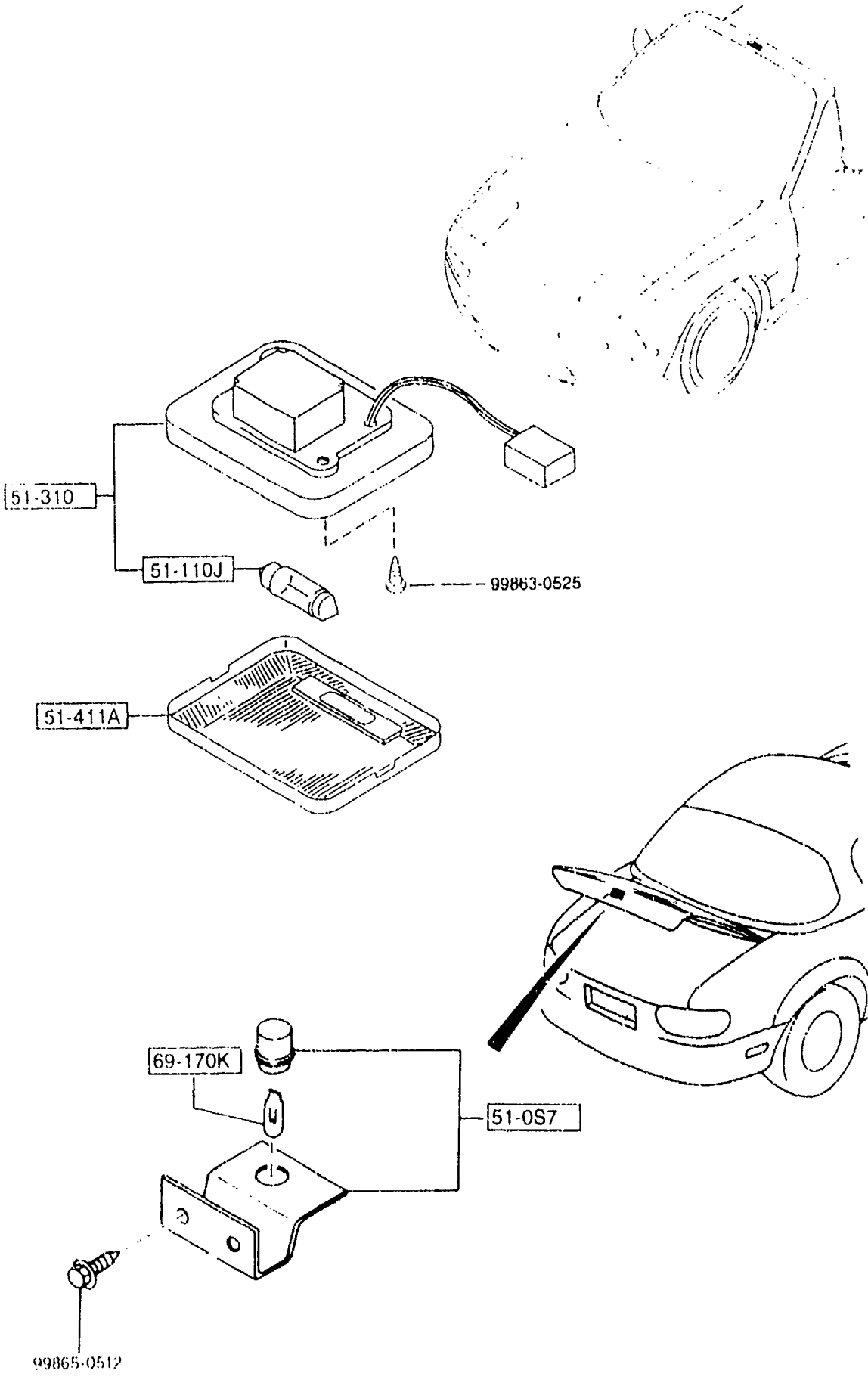
PART NO.	QTY	MODEL/RESTRICTION	MODEL/RESTRICTION	MODEL/RESTRICTION	FROM-TO
CONT'D					
NA01-51-180B	1				
+-----+   51-161Z   +-----+		LENS(L),RR.COMB.			
NA01-51-16XC	1				
+-----+   51-164A   +-----+		GASKET,RR.COMB.			
NA01-51-158	2				
+-----+   51-169A   +-----+		PROTECTOR(L),'A'			
NA01-51-169	1				
+-----+   51-172B   +-----+		CAP			
G030-51-172	1				
+-----+   51-5G9   +-----+		CLIP			
NA01-51-5G9	8				
+-----+   51-5H1   +-----+		LENS & BODY(R),RR SI DE TURN			
NA01-51-5H1C	1				
+-----+   51-5H2   +-----+		SOCKET(R),RR SIDE TU RN			
NA01-51-5H2A	1				
+-----+   51-5J1A   +-----+		LENS & BODY(L),RR SI DE TURN			
NA01-51-5J1C	1				
+-----+   51-5J2   +-----+		SOCKET(L),RR SIDE TU RN			
NA01-51-5J2A	1				
+-----+   51-550B   +-----+		LAMP SET(R),SIDE TUR N-RR			
8BN1-51-550	1				
+-----+   51-550C   +-----+		LAMP SET(L),SIDE TUR N-RR			
8BN1-51-560	1				
+-----+   51-580   +-----+		LAMP,STOP-HI.MOUNT.			
NA01-51-580B	1				
+-----+   51-582   +-----+		GASKET,STOP LAMP-HI. MOUNT			
NA01-51-592B	1				



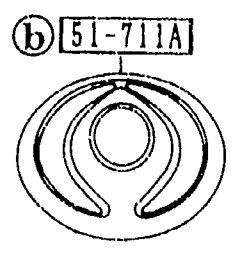
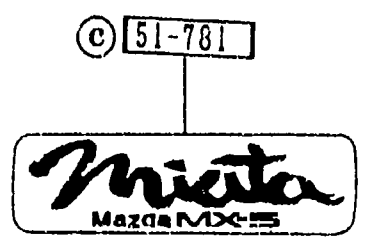
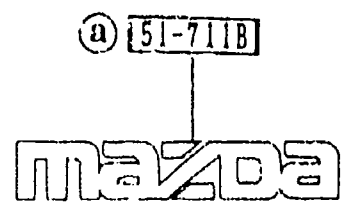
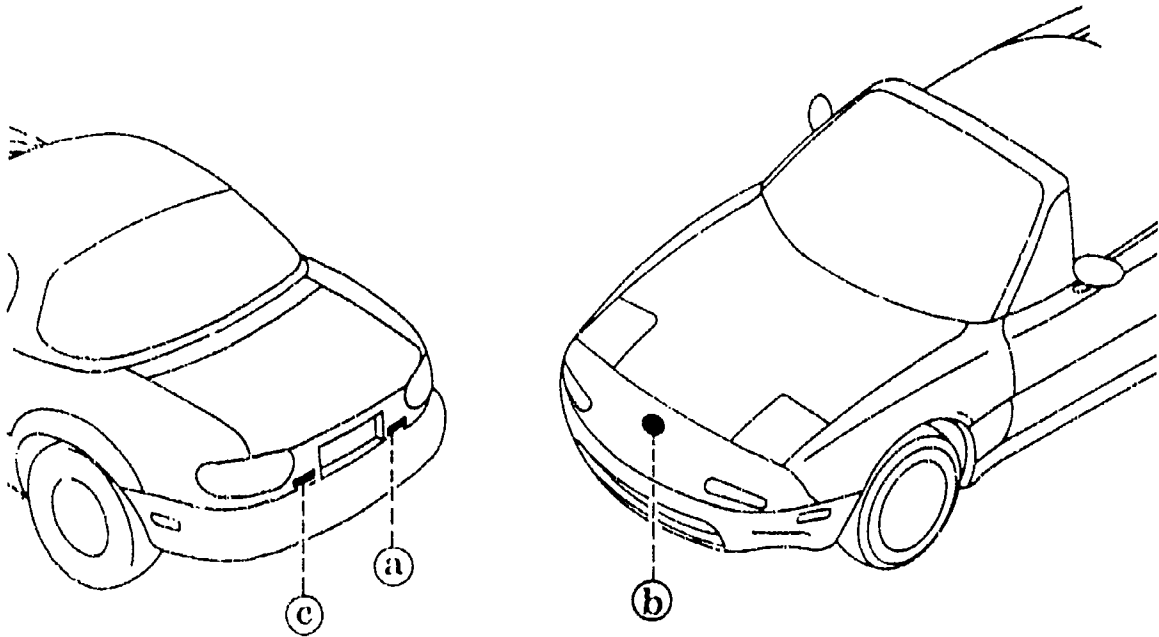
PART NO	QTY	MODEL/RESTRICTION	MODEL/RESTRICTION	MODEL/RESTRICTION	FROM-TO
51-583		LENS, STOP LAMP-HI. MO			
NA01-51-58XA	1	UNT			
51-599		FASTENER, STOP LAMP-H			
NA01-51-599	1	I.			-4A03
4A03 NA35* -603621					

PART NO	QTY	MODEL/RESTRICTION	MODEL/RESTRICTION	MODEL/RESTRICTION	FROM TO
↑-----↑   51-270   ↑-----↑		LAMP,LICENSE			
8BF1-51-270	2				
↑-----↑   51-270J   ↑-----↑		BULB			
99701-2070	2	12V 7.5W			
↑-----↑   51-273G   ↑-----↑		GASKET,LICENSE LAMP			
FB67-51-273	2				
↑-----↑   51-276   ↑-----↑		SHADE,LAMP-LICENSE			
FB67-51-276	2				
↑-----↑   51-276G   ↑-----↑		SOCKET,LICENSE LAMP			
FB67-51-272	2				



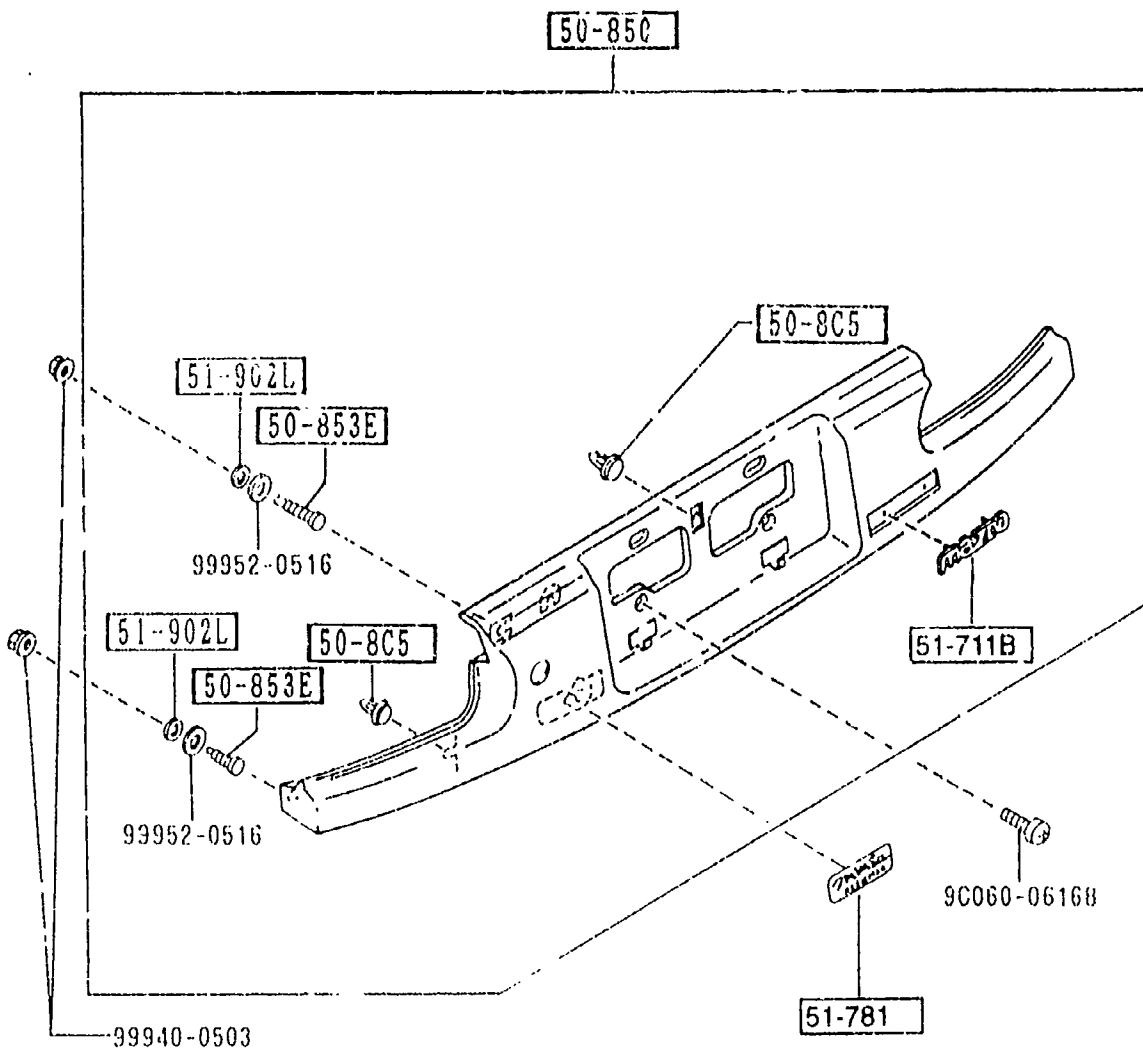


PART NO	QTY	MODEL/RESTRICTION	MODEL/RESTRICTION	MODEL/RESTRICTION	FROM-TO
51-0S7		BRACKET,LAMP			
*NB38-51-445A	1	('96 MODEL)			
51-110J		BULB			
99700-5080	1	12V/8W ('96 MODEL)			
51-310		LAMP, INTERIOR			
NB38-51-310A	1	('96 MODEL)			
51-411A		LENS, ROOM LAMP			
NB38-51-311	1	('96 MODEL)			
69-170K		BULB, INTERIOR MIRROR			
*NB38-68-4G3	1	('96 MODEL)			

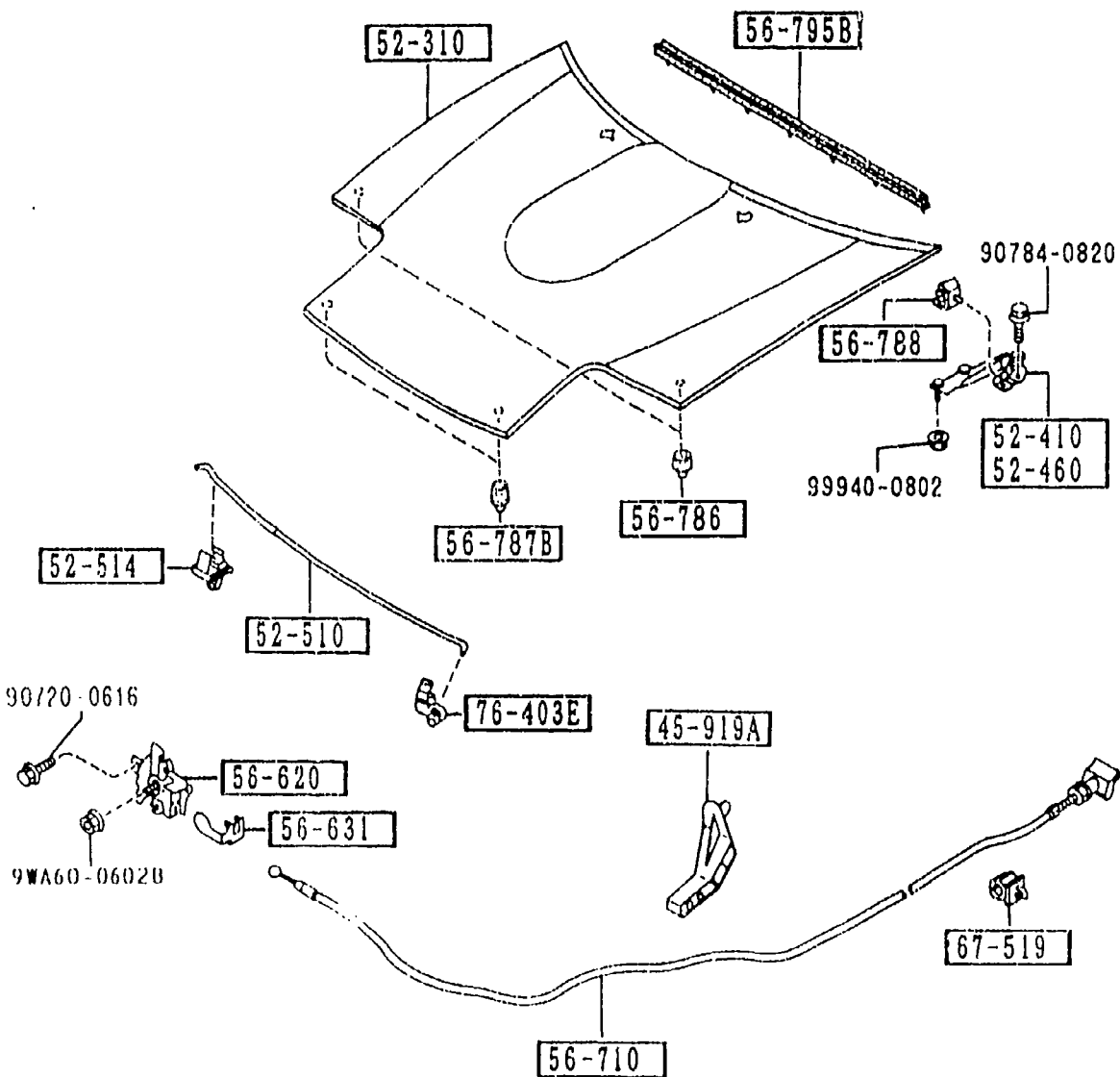


PART NO.	QTY	MODEL/RESTRICTION	MODEL/RESTRICTION	MODEL/RESTRICTION	FROM-TO
51-711A		ORNAMENT, FRONT			
BB1H-51-731	1				
51-711B		ORNAMENT, MAKER NAME-REAR			
NA01-51-711	1				
51-781		ORNAMENT, REAR			
NA01-51-721A	1				





PART NO.	QTY	MODEL/RESTRICTION	MODEL/RESTRICTION	MODEL/RESTRICTION	FROM-TO
50-8C5		CLIP			
B467-50-8C5	3				
50-850		FINISHER, REAR			
NA01-50-8P0	1				
* A5	EXT-	A5 SATELLITE BLUE MC			
HU	EXT-	HU NEO GREEN			
M8	EXT-	M8 MONTEGO BLUE M			
PT	EXT-	PT CHAST WHITE			
PZ	EXT-	PZ BRILLIANT BLACK			
SU	EXT-	SU CLASSIC RED			
18	EXT-	18 ARTVIN RED MC			
6W	EXT-	6W LAGUNA BLUE M.			
50-853E		BOLT, GARNISH-RR			
LA01-50-853	4				
51-711B		ORNAMENT, MAKER NAME-REAR			
NA01-51-711	1				
51-781		ORNAMENT, REAR			
NA01-51-721A	1				
51-902L		GASKET			
G030-51-914	4				



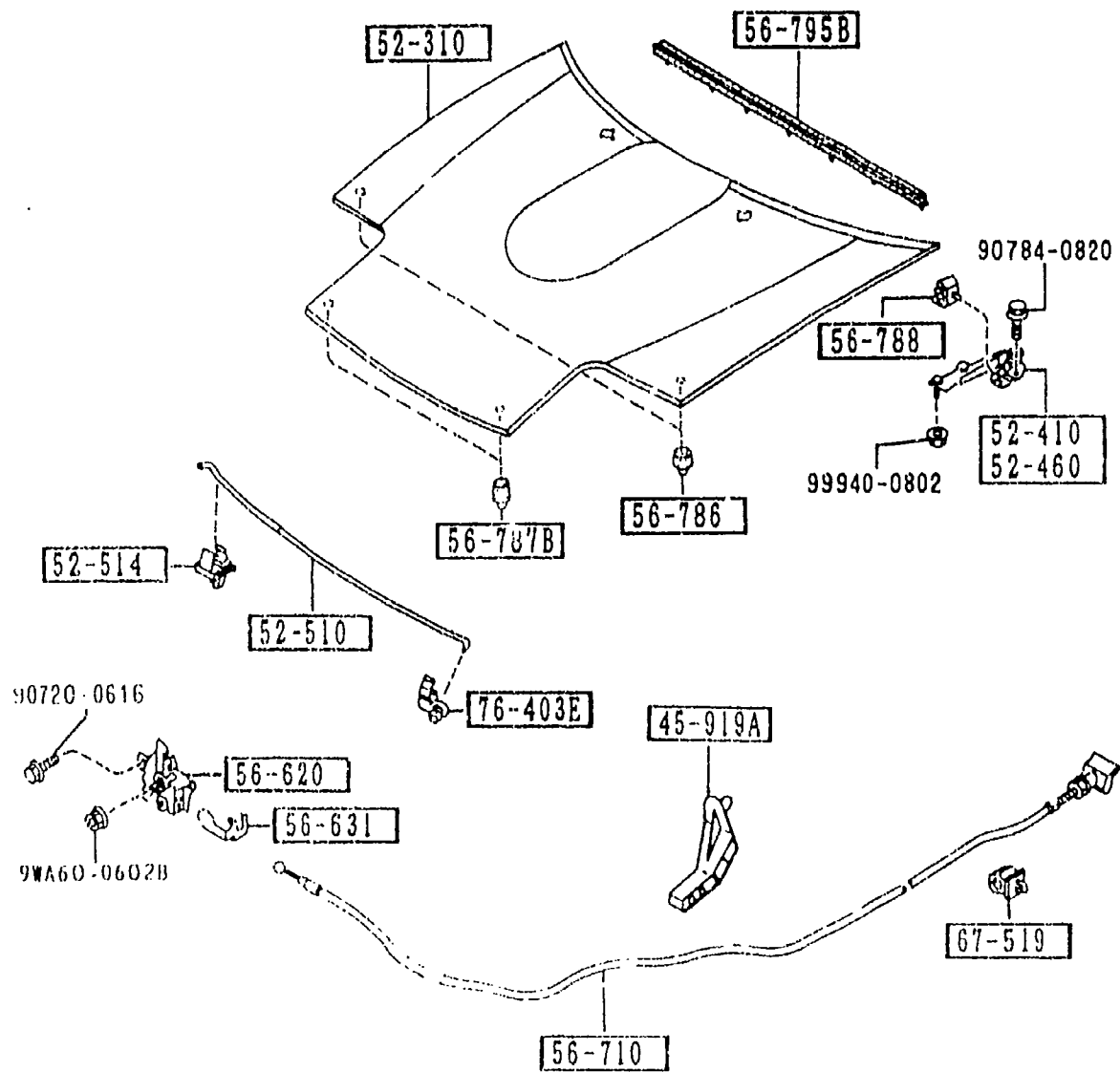
PART NO.	QTY	MODEL/RESTRICTION	MODEL/RESTRICTION	MODEL/RESTRICTION	FROM-TO
45-919A		HOLDER, PIPE			
H115-45-916A	1				
52-310		BONNET			
NAY1-52-310B	1				
52-410		HINGE(R), BONNET			
NA01-52-410A	1				
52-460		HINGE(L), BONNET			
NA01-52-420A	1				
52-510		STAY, BONNET			
NA75-56-650A	1				
52-514		HOLDER, ROD			
G030-56-693A	1				
56-620		LOCK, BONNET			
NA01-56-620A A (NA01-56-620B)	1				
NA01-56-620B	1				
56-631		FASTENER, BONNET RELEASE			
LA01-56-631	1				
56-710		WIRE, RELEASE-BONNET			
NA01-56-720D	1				
56-786		RUBBER(C), CUSHION-BONNET			
NA01-56-787	2				
56-787B		RUBBER, CUSHION-BONNET FRONT			
FB01-56-787B	2				
56-788		RUBBER, CUSHION-BONNET REAR			
NA01-56-78X	2				
56-795B		WEATHERSTRIP, BONNET-REAR			
NA01-56-760	1				

- 4A03

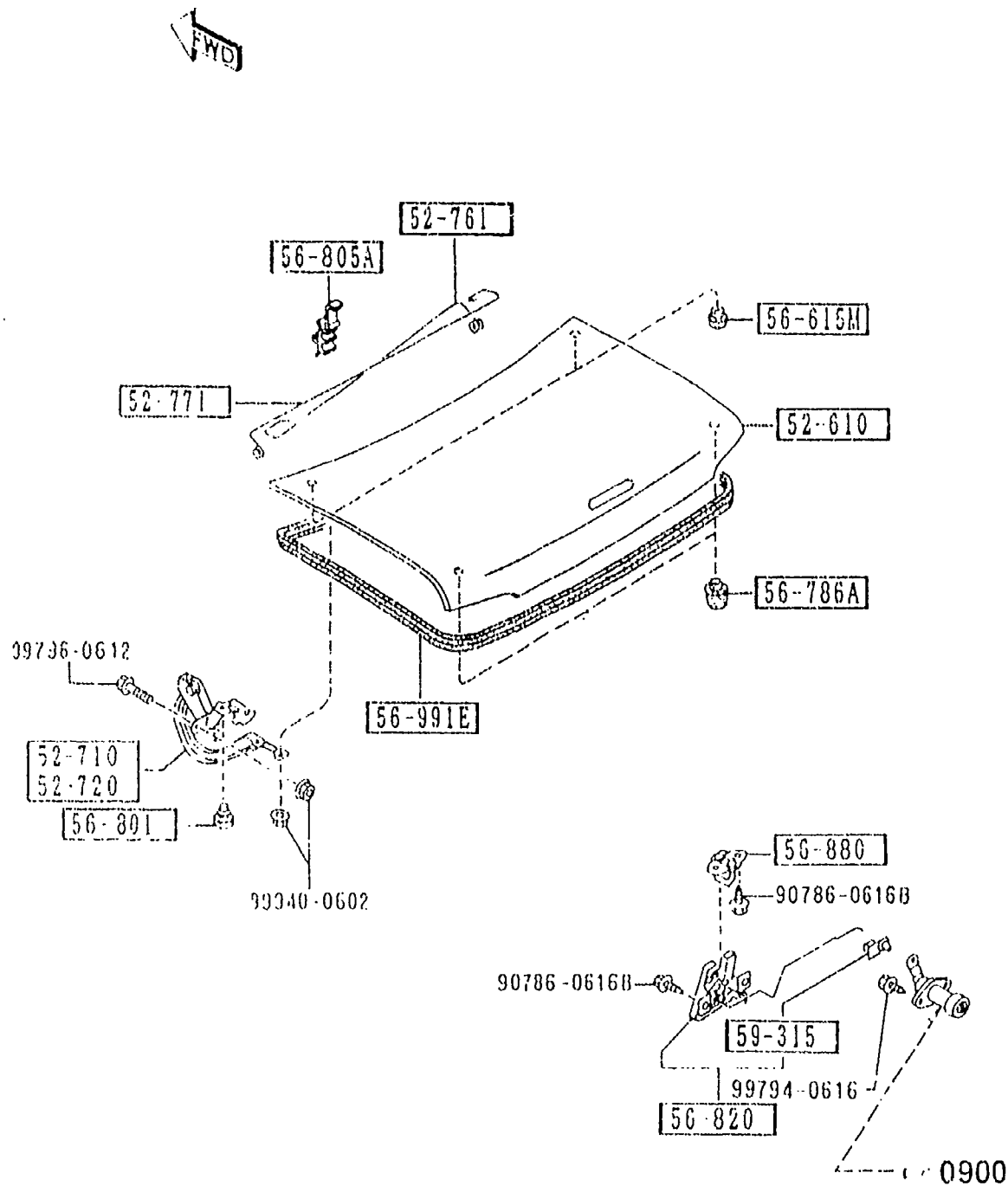
4A03-

4A03 NA35A - 603621

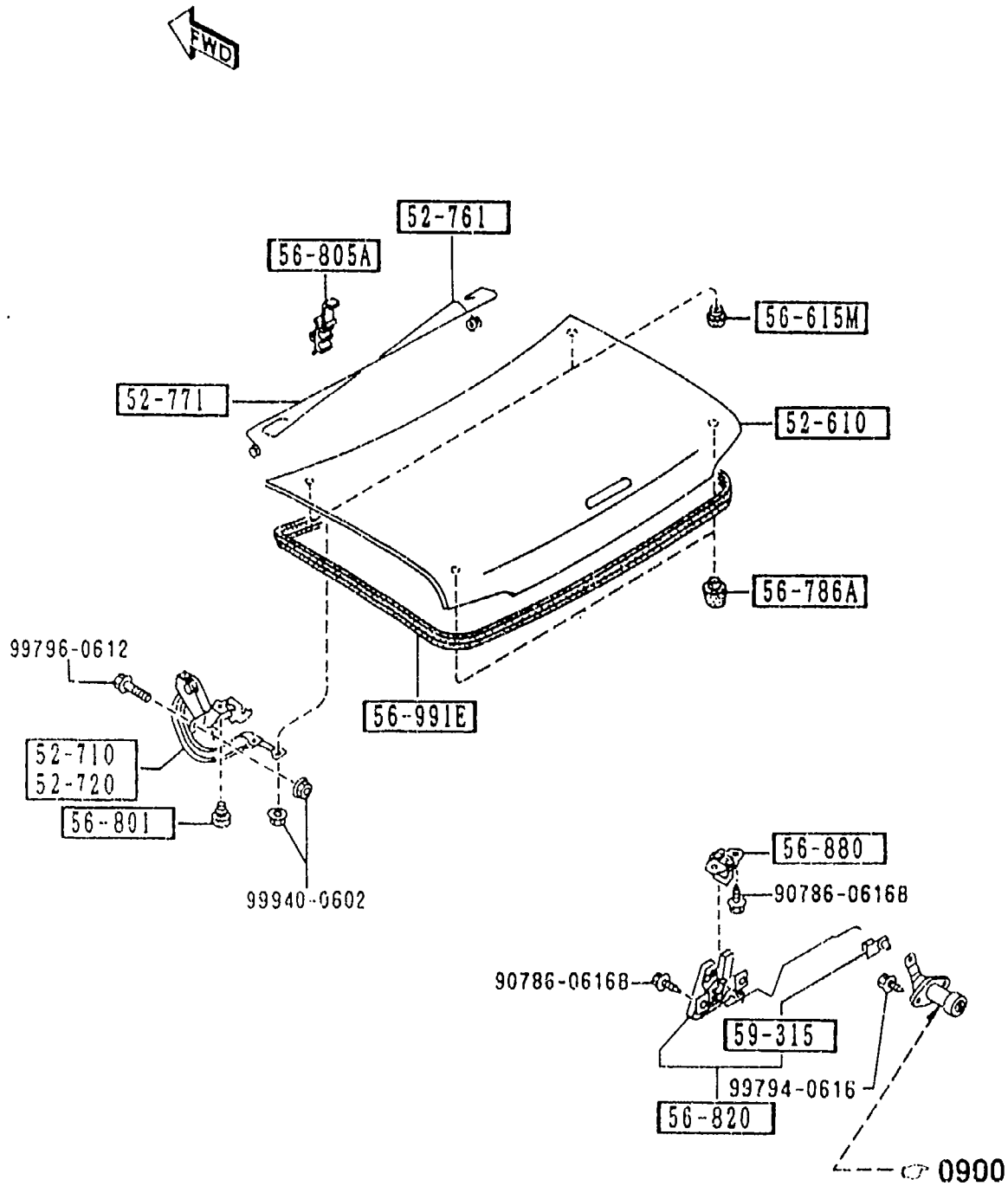
FWD



PART NO.	QTY	MODEL/RESTRICTION	MODEL/RESTRICTION	MODEL/RESTRICTION	FROM-TO
67-519		CLIP, PIPE			
G030-67-519	1				
76-403E		HOLDER, ROD			
B092-52-518	1				



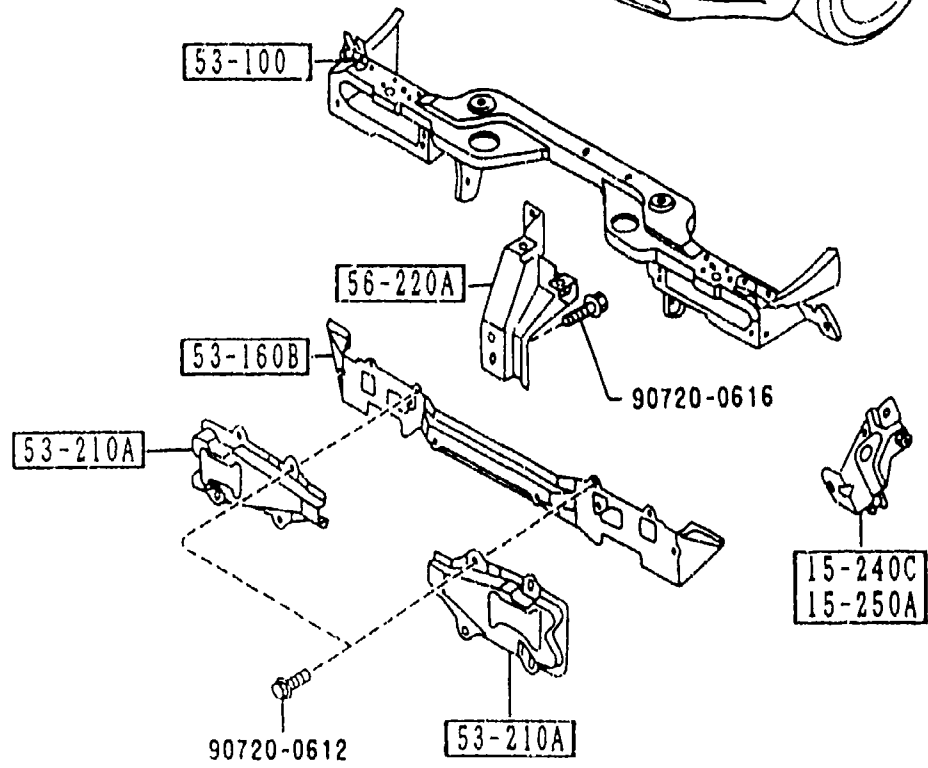
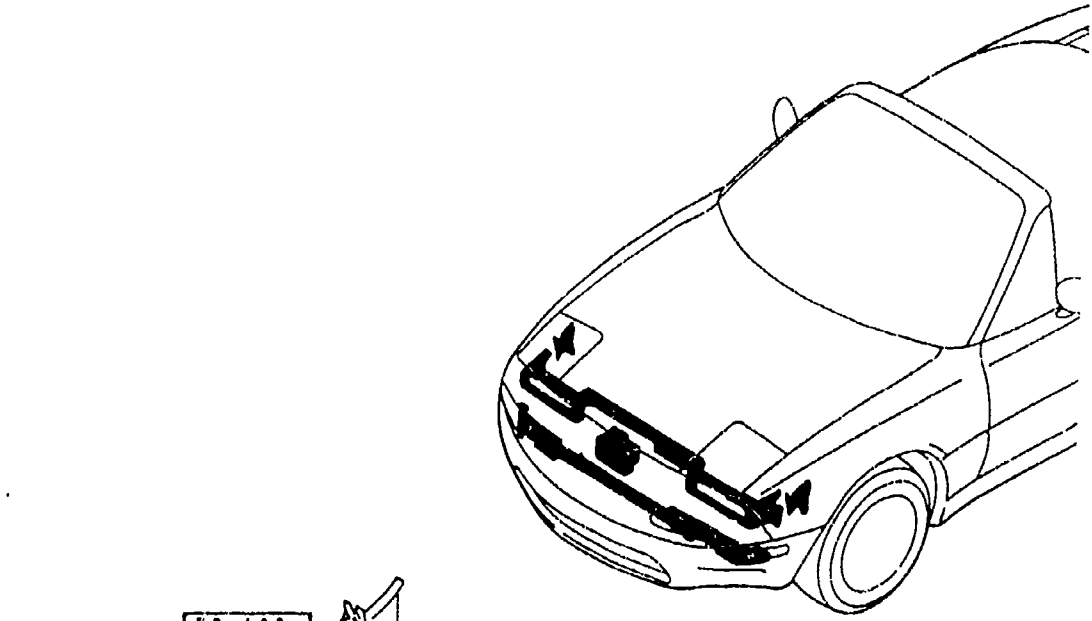
PART NO	QTY	MODEL/RESTRICTION	MODEL/RESTRICTION	MODEL/RESTRICTION	FROM TO
52-610		LID,TRUNK			
NAY1-52-610B A (NAY1-52-610C)	1				-5420
NAY1-52-610C	1				5420-
52-710		HINGE(R),TRUNK LID			
NA01-52-710A AN(NA01-52-710B)	1				-6201
*NA01-52-710B	1				6201-
52-720		HINGE(L),TRUNK LID			
NA01-52-720A AN(NA01-52-720B)	1				-6201
*NA01-52-720B	1				6201-
52-761		SPRING(R),BALANCE			
NA01-52-791A	1				
52-771		SPRING(L),BALANCE			
NA01-52-792A	1				
56-615M		PLUG,DRAIN			
NA01-56-051	2				
56-786A		RUBBER,CUSHION			
B481-56-786	2				
56-801		CUSHION,LID HINGE			
NA01-56-802	2				
56-805A		HOLDER,BALANCE SPRING			
NA01-56-805	1				
56-820		LOCK,LID			
NB38-56-820	1	(*96 MODEL)			
N007-56-820	1	(*95 MODEL)			
56-880		STRIKER,LID			
NA01-56-840	1				
56-991E		WEATHERSTRIP,LID			
5420 NA35* -620023					
6201 NA3** -711421					



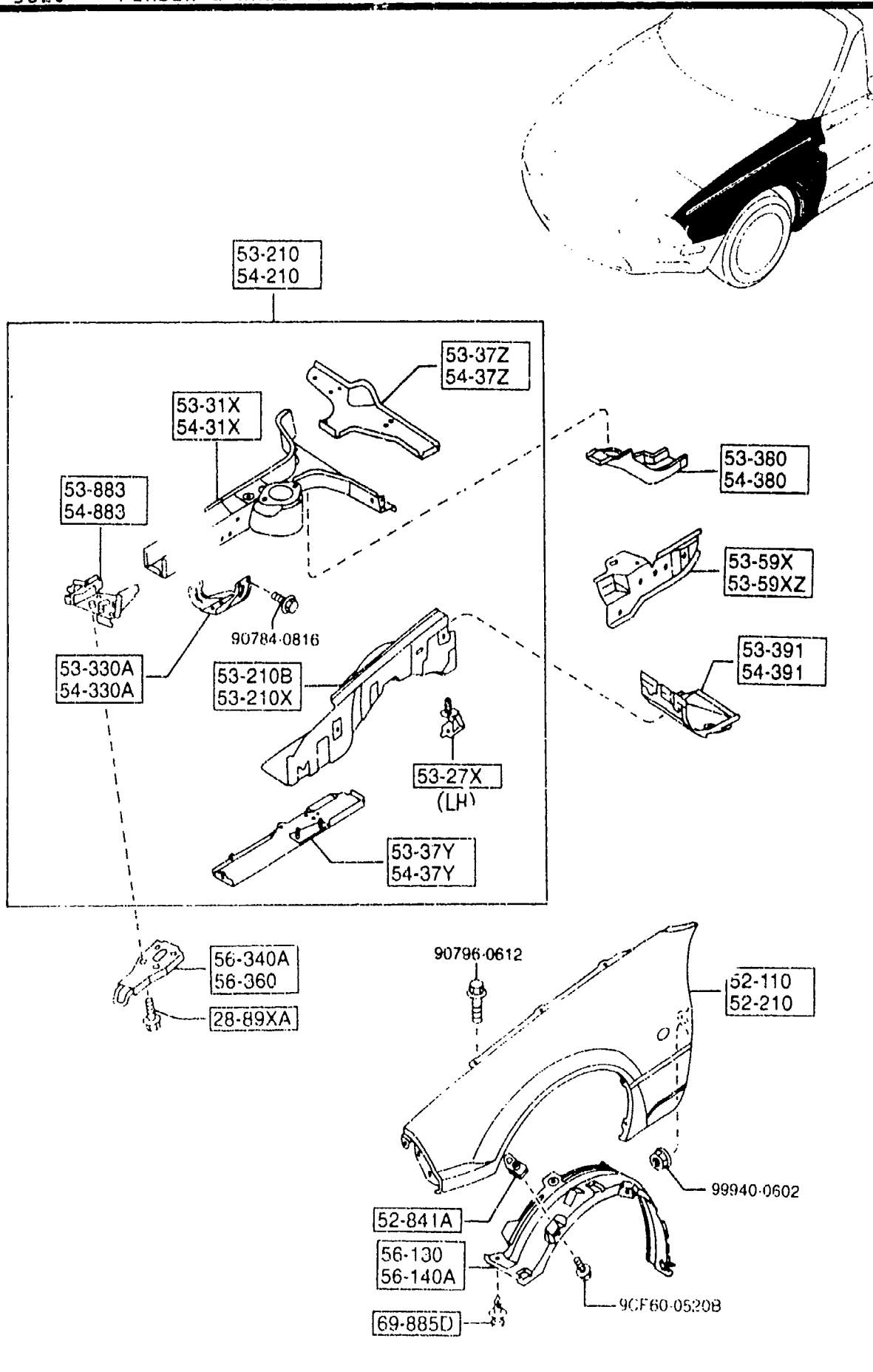
PART NO.	QTY	MODEL/RESTRICTION	MODEL/RESTRICTION	MODEL/RESTRICTION	FROM-TO
CONT'D NA01-56-951	1				
+-----+   59-315		CLIP			
+-----+ G030-59-315	1				

5310 FRONT PANELS

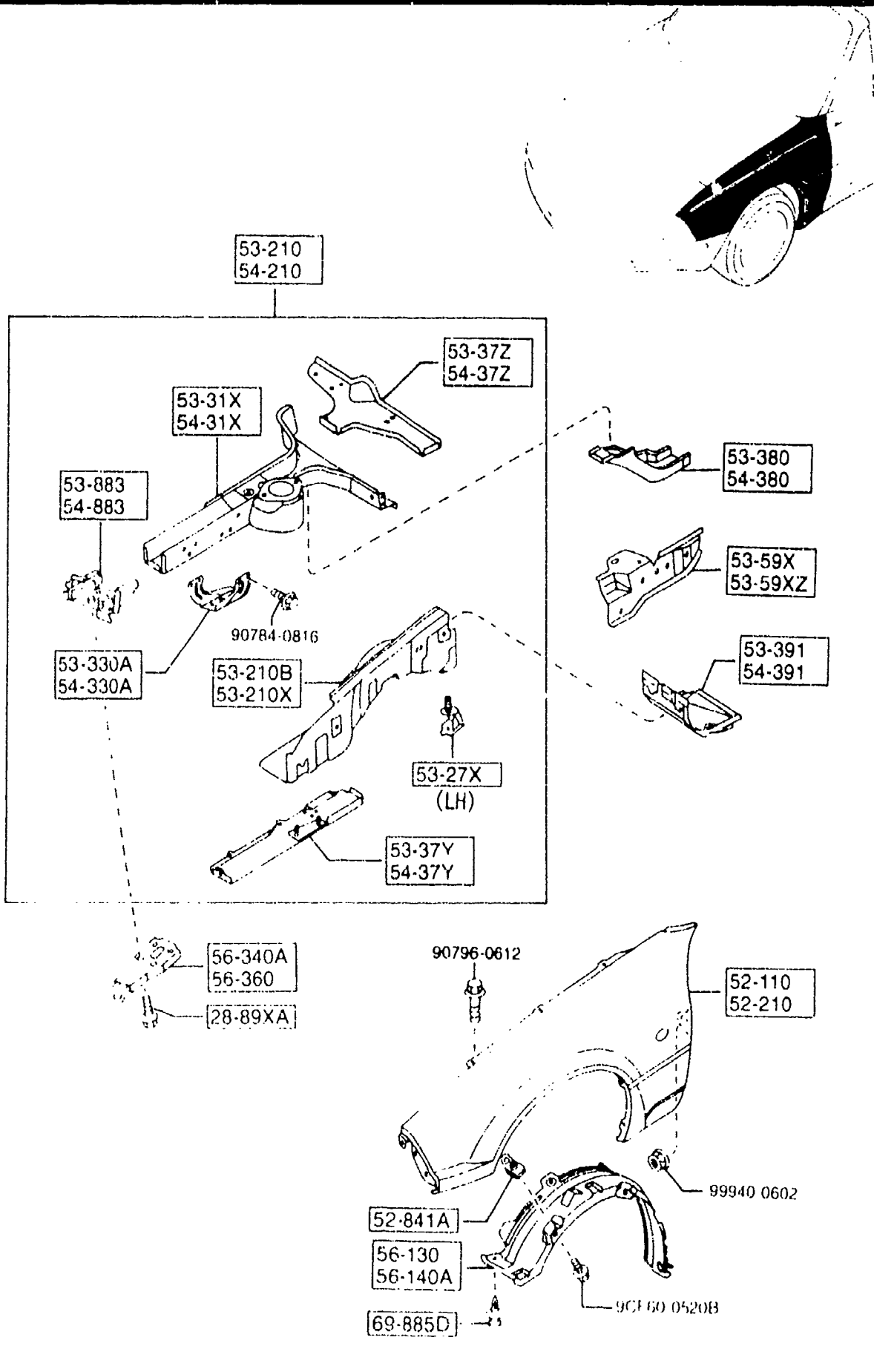
5310 -1 \* FRONT PANELS



PART NO.	QTY	MODEL/RESTRICTION	MODEL/RESTRICTION	MODEL/RESTRICTION	FROM-TO
15-240C B61P-15-240A	1	BRACKET(R), RADIATOR			
15-250A B61P-15-250A	1	BRACKET(L), RADIATOR			
53-100 NA75-53-100	1	PANEL, RAD. SHROUD			
53-160B NA01-53-16XC	1	MEMBER, CROSS			
53-210A NA01-54-180	2	BRACKET, BUMPER			
56-220A NA01-56-221B	1	STAY, LOCK-BONNET			



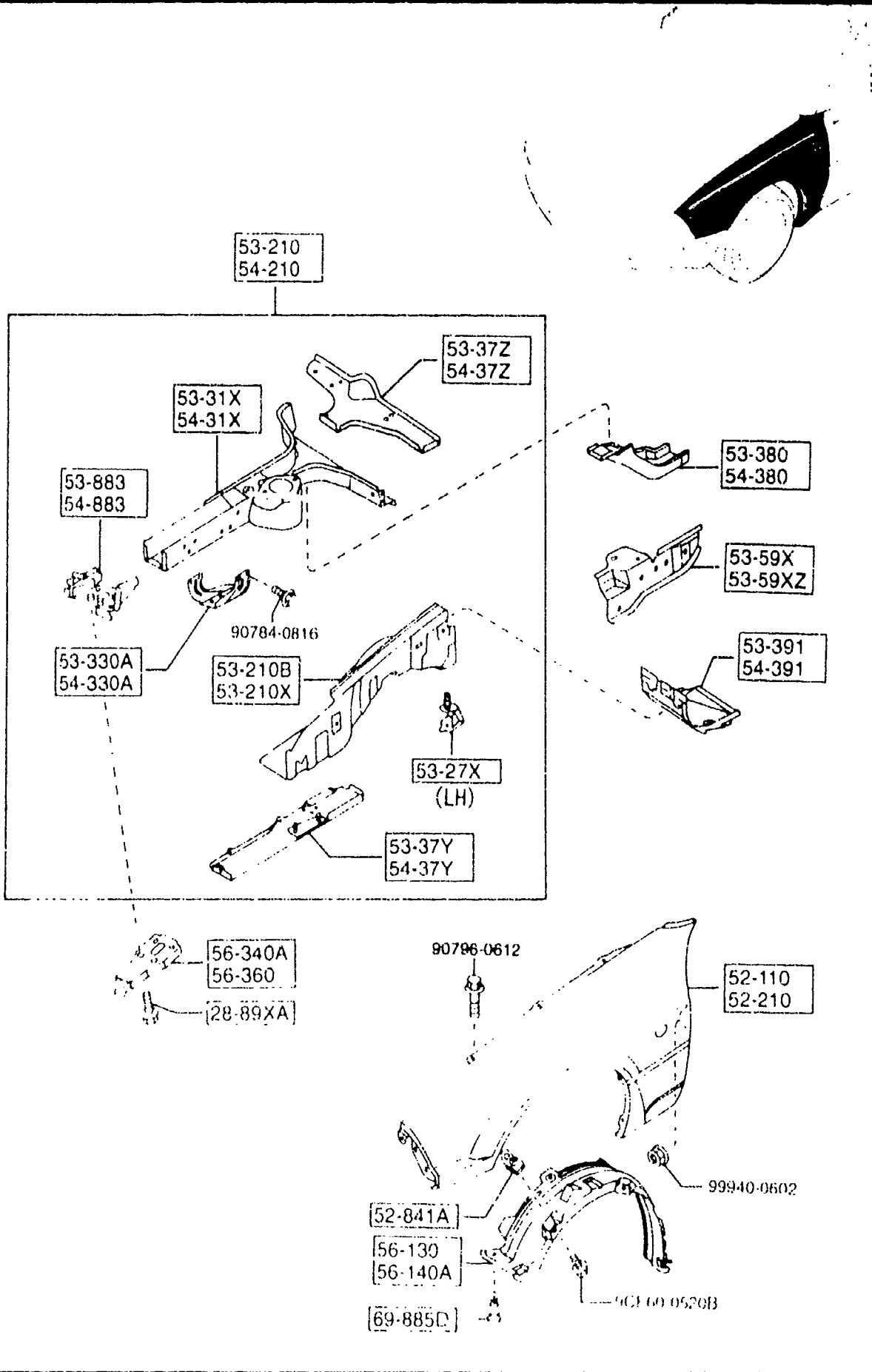
PART NO.	QTY	MODEL/RESTRICTION	MODEL/RESTRICTION	MODEL/RESTRICTION	FROM-TO
28-89XA		BOLT, CROSS MEMBER			
GJ21-28-89X	6				
52-110		PANEL (R), FENDER-FRT.			
NAY1-52-110	1				
52-210		PANEL (L), FENDER-FRT.			
NAY1-52-210	1				
52-841A		NUT, CLIP			
LA01-56-135	10				
53-210		PANEL (R), APRON & FRAME			
NAY2-53-200	1				
53-210B		PANEL (R), WHEEL APRON			
NA01-53-210E	1				
53-210X		PANEL (L), WHEEL APRON			
NA01-54-210F	1				
53-27X		BRKT, AIR CLNR-WHL APRON			
NA01-54-36X	1				
53-31X		FRAME (R), FRONT			
NA75-53-31X	1				-4824
NA75-53-31XA	1				4824-
53-330A		BRACKET (R), STABILIZER			
NA01-53-330	1				
53-37Y		FRAME (UP., R), FRONT-FRT			
NA01-53-37Y	1				
53-37Z		FRAME (UP. R), FRONT-REAR			
NA01-53-37ZA AN (NA01-53-37ZB)	1				-4A05
NA01-53-37ZB	1				4A05-
53-380		REINFORCEMENT (R)			
NA01-53-380	1				
4824 NA35* -601431					
4A05 NA35* -603893					



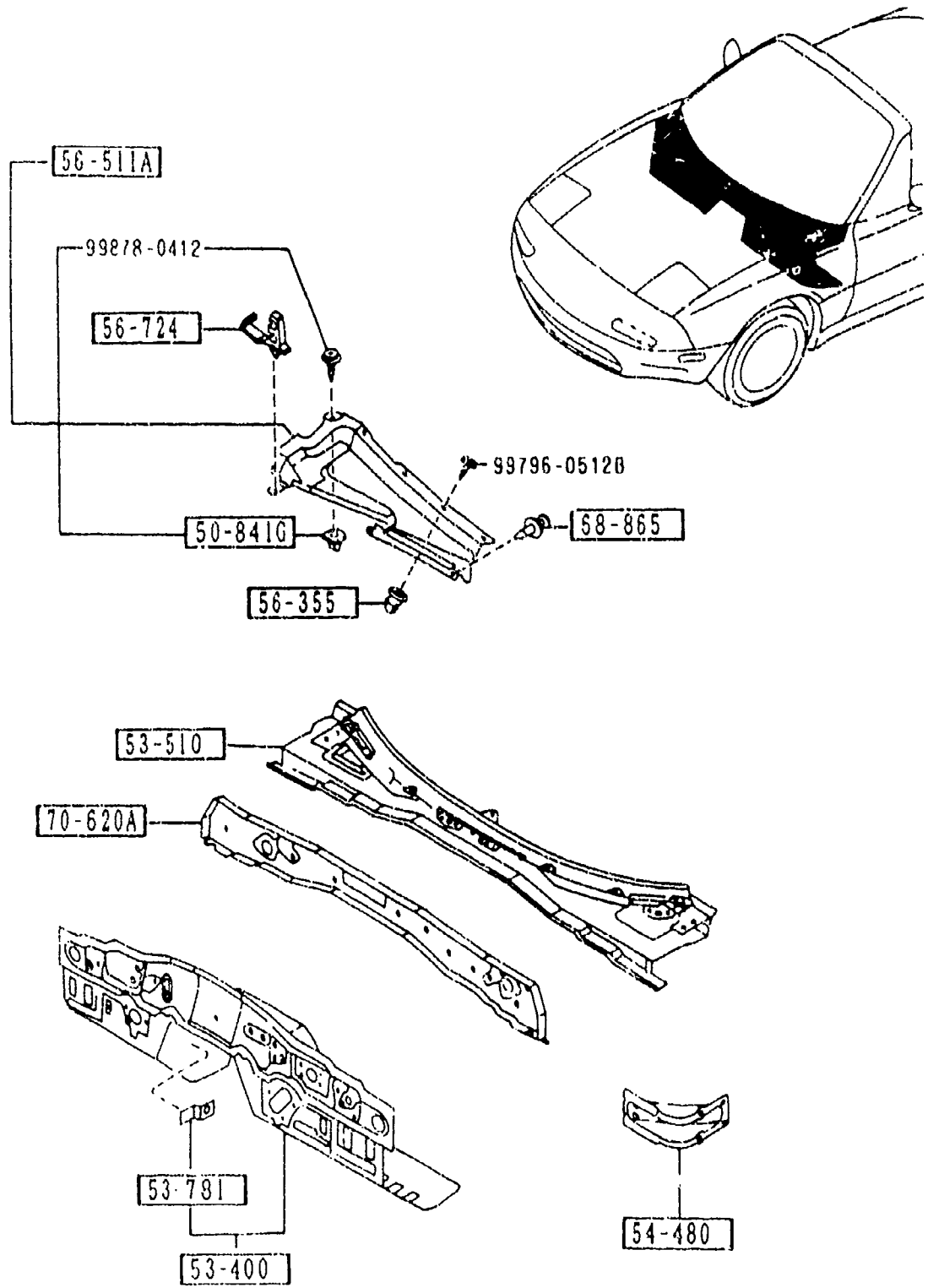
PART NO	QTY	MODEL/RESTRICTION	MODEL/RESTRICTION	MODEL/RESTRICTION	FROM-TO
53-391		BOX(R),TORQUE			
NA01-53-391	1				
53-59X		REINF.(R),WHEEL APRON			
NA01-53-591	1				
53-59XZ		REINF.(L),WHEEL APRON			
NA01-54-590	1				
53-883		REINF.(R),TIE DOWN HOOK			
NA01-53-32XB	1				
54-210		PANEL(L),APRON & FRAME			
NAY2-54-200	1				
54-31X		FRAME(L),FRONT			
NA75-54-31X	1				-4824
NA75-54-31XA	1				4824-
54-330A		BRACKET(L),STABILIZER			
NA01-54-330	1				
54-37Y		FRAME(UP.,L),FRONT-FRT			
NA01-54-37Y	1				
54-37Z		FRAME(UP.L),FRONT-REAR			
NA01-54-37ZA AN(NA01-54-37ZB)	1				-4A05
NA01-54-37ZB	1				4A05-
54-380		FRAME(L),FRONT-REAR			
NA01-54-380B	1				
54-391		BOX(L),TORQUE			
NA01-54-391	1				
54-883		REINF.(L),TIE DOWN HOOK			
NA01-54-32XC	1				
56-130		GUARD(R),MUD			
NA01-56-131A	1				

4824 NA35\* -601431  
4A05 NA35\* -603893

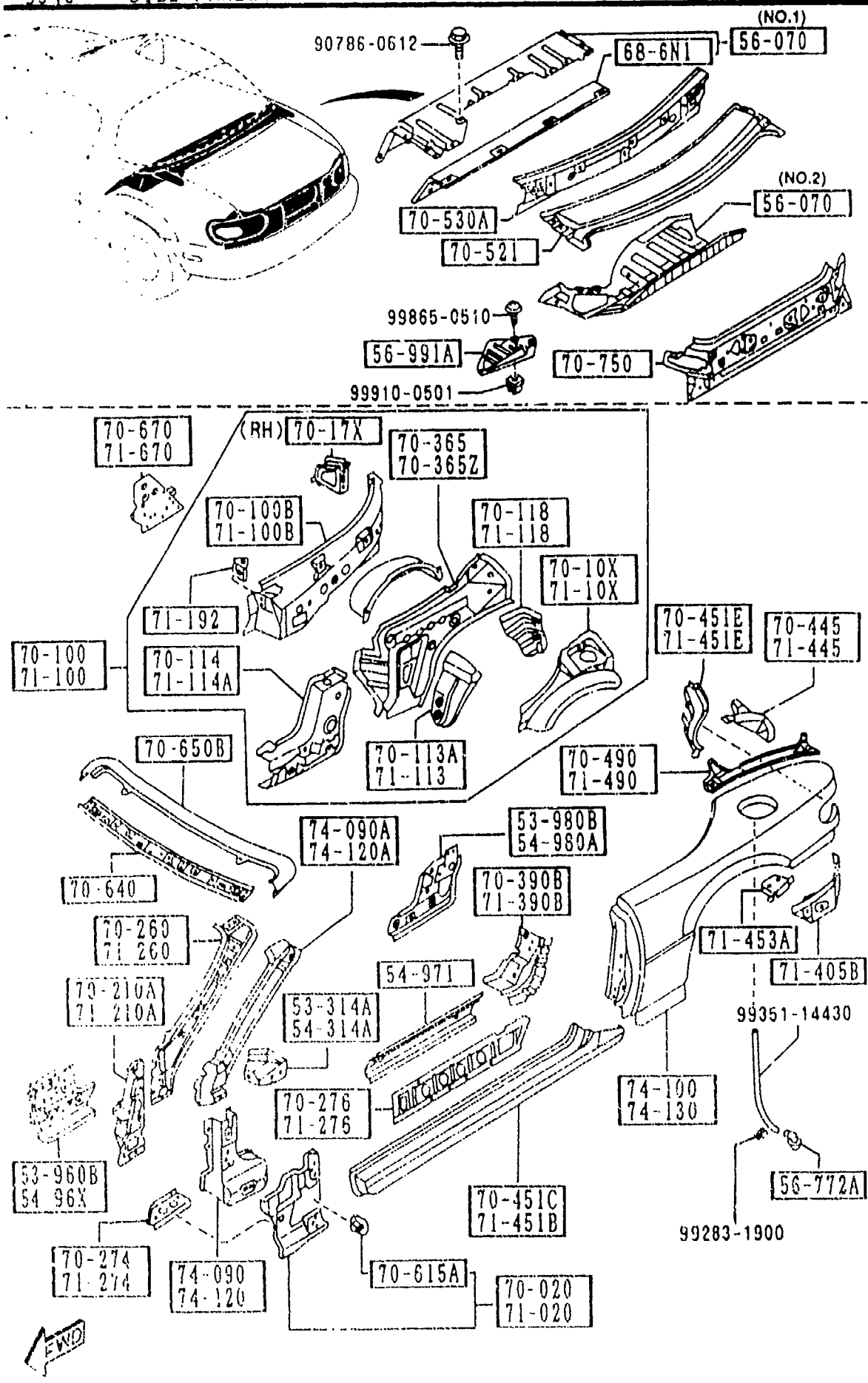




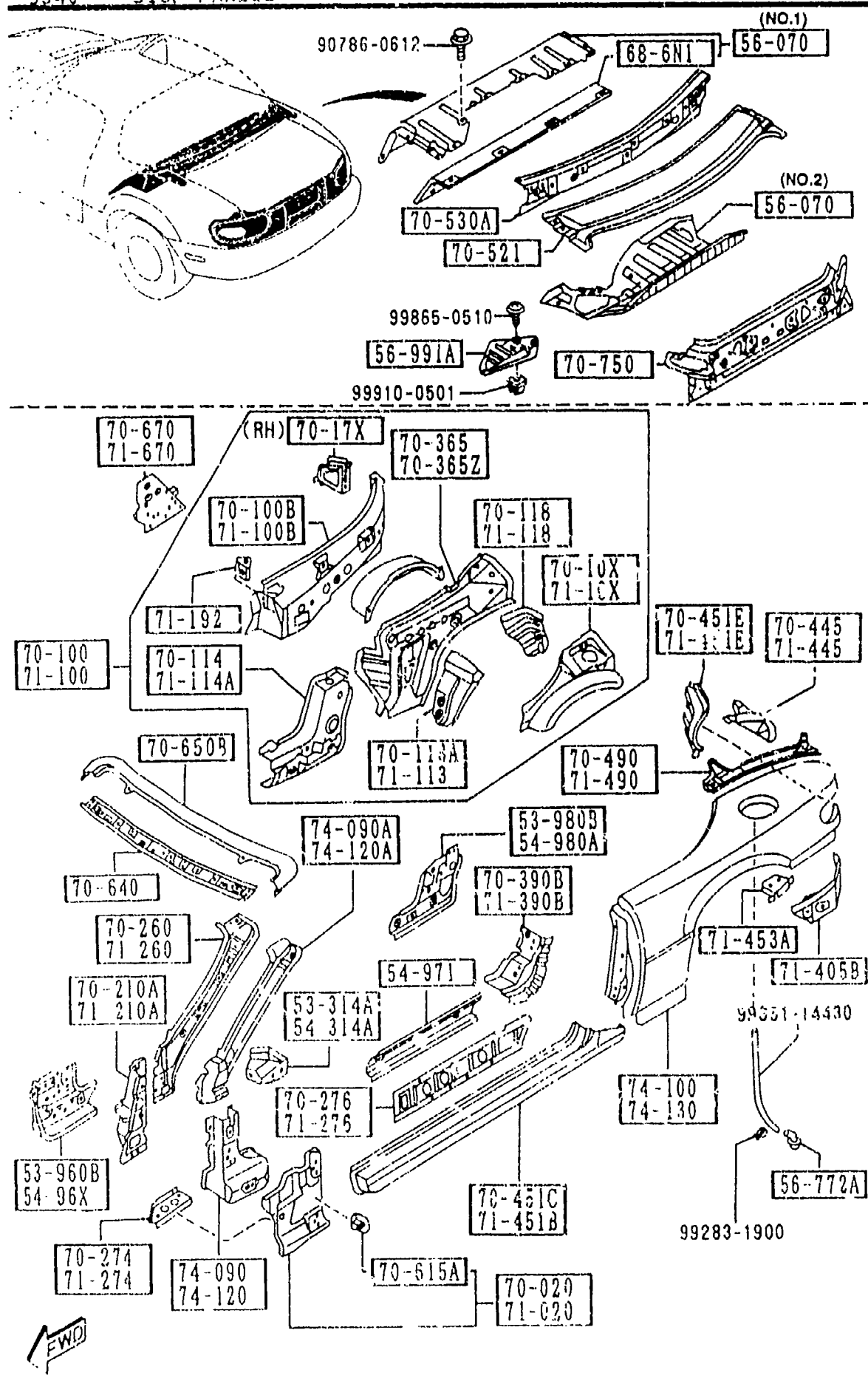
PART NO	QTY	MODEL/RESTRICTION	MODEL/RESTRICTION	MODEL/RESTRICTION	FROM-TO
56-140A		GUARD(L),MUD			
NA01-56-141C	1				
56-340A		HOOK(R),TIE DOWN-FRONT			
NA01-56-34XC	1				
56-360		HOOK(L),TIE DOWN-FRONT			
NA01-56-34YC	1				
69-885D		FASTENER			
NA01-56-145	10				



PART NO	QTY	MODEL/RESTRICTION	MODEL/RESTRICTION	MODEL/RESTRICTION	FROM-TO
50-841G		GROMMET, SCREW			
F044-51-912	1				
53-400		PANEL, DASH-LOWER			
NA01-54-400G	1				
53-510		PANEL, DASH-UPPER			
NA75-53-510A	1				
53-781		BRACKET, GRILLE-C			
0305-53-781A	1				
54-480		JUNCTION, DASH SIDE-S			
NA01-54-480	2	SILL			
56-355		GROMMET, SCREW-BAFFLE			
G211-56-355A	4				
56-511A		COVER, BAFFLE-COWL PA			
NA01-56-35X	1	NEL			
56-724		CLIP 'B', WIRE-BONNET			
H260-56-724	1				
68-865		FASTENER			
B040-68-865A	2				
			INT-	NA3 NA4 NA5 NA6 NA7	
				NA8 BLACK	
70-620A		PANEL, COWL-FRONT			
NA01-70-62YB	1				

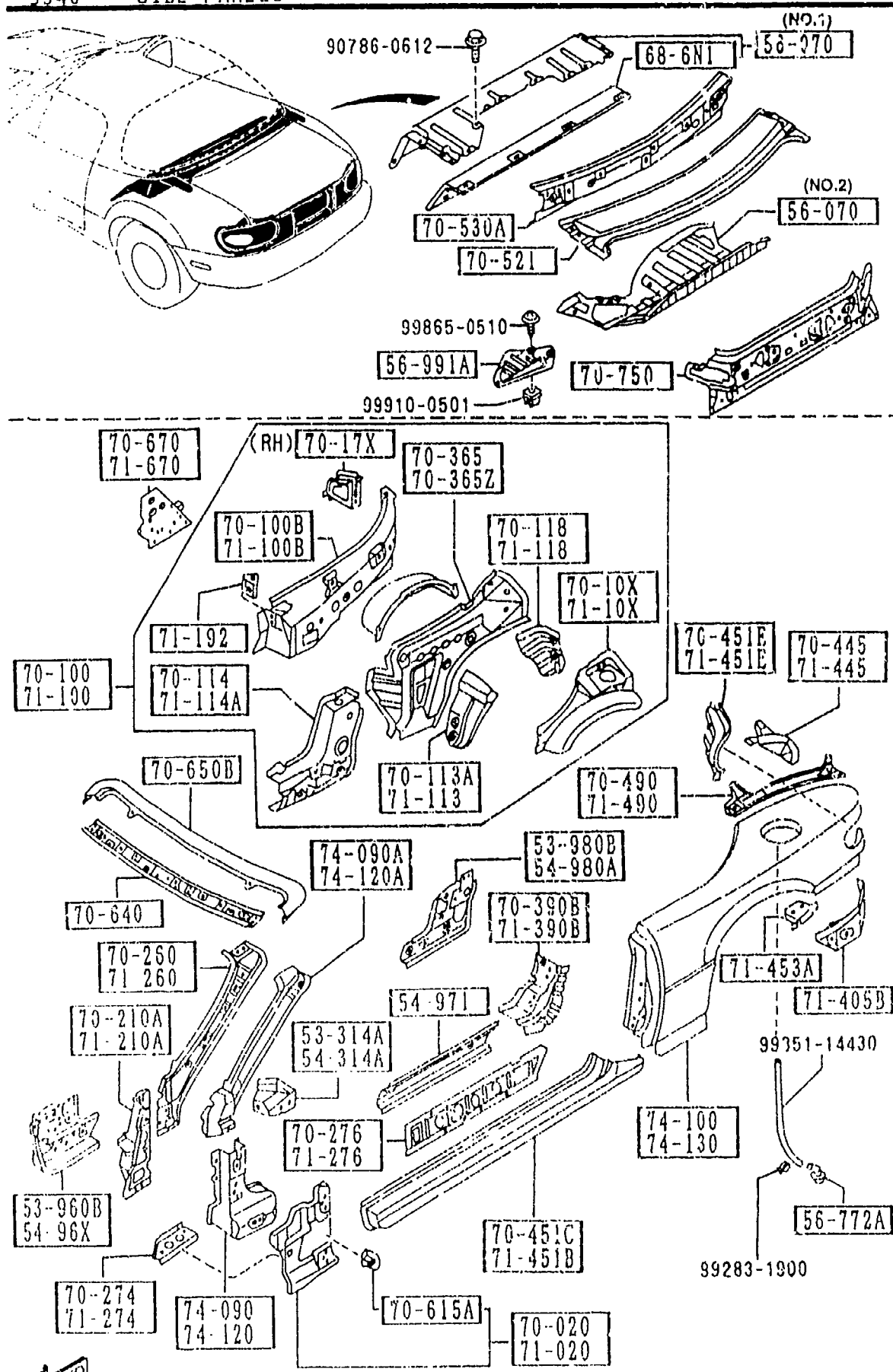


PART NO	QTY	MODEL/RESTRICTION	MODEL/RESTRICTION	MODEL/RESTRICTION	FROM-TO
53-314A		BRACKET(R), INST.			
NA01-70-071A	1				
53-960B		SILL(FRT.R), SIDE-INNER			
NA01-53-960C	1				
53-980B		SILL(RR.R), SIDE-INNER			
NA01-53-980C	1				
54-314A		BRACKET(L), INST.			
NA01-71-071A	1				
54-96X		SILL(FRT.L), SIDE-INNER			
NA01-54-96XB	1				
54-971		SILL(C), SIDE-INNER			
NA01-54-971A	2				
54-980A		SILL(RR.L), SIDE-INNER			
NA01-54-980C	1				
56-070		PANEL, BULK HEAD			
NA01-56-39YA	1	(ILLUST. NO.1)			
NA01-70-51Y	1	(ILLUST. NO.2)			
56-772A		PIPE, DRAIN-RR FENDER			
NA01-56-772	1				
56-991A		COVER, SERVICE HOLE			
NA01-56-971	1				
68-6N1		INSULATOR, BALK HEAD PANEL			
NA01-68-6N1	1				
70-020		PANEL(R), COWL SIDE			
NA01-70-020B	1				
70-10X		PANEL(R), QUARTER			
NA01-70-111C	1				



PART NO.	QTY	MODEL/RESTRICTION	MODEL/RESTRICTION	MODEL/RESTRICTION	FROM-TO
70-100		PANEL(R), QUARTER			
NA75-70-100	1				
70-100B		PANEL(R), INSIDE			
NA01-70-19XB	1				
70-113A		PLATE(R), SEAL			
NA01-70-11Z	1				
70-114		PLATE(R), END			
NA01-70-12XA	1				
70-118		PROTECTOR(R), SPLASH			
NA01-70-15X	1				
70-17X		BRKT, BATT. CLAMP-QTR PANEL			
NA01-70-17XA	1				
70-210A		PILLAR(R), HINGE			
NA01-70-230	1				
70-260		PILLAR(R), FRT.-INNER			
NA01-70-240B	1				
70-274		GUSSET(R), SIDE SILL OUTER			
NA01-70-274	1				
70-276		REINF.(R), SIDE SILL			
NA01-70-275	1				
70-365		REINF.(R), BELT LINE-C.PIL			
NA01-70-116A AN(NA01-70-116B)	1				-4829
NA01-70-116B	1				4829-
70-365Z		REINF.(L), BELT LINE-C.PIL			
NA01-71-116C AN(NA01-71-116D)	1				-4829
NA01-71-116D	1				4829-
70-390B		REINF.(R), STRIKER			
4829 NA35* -602053					

2-07

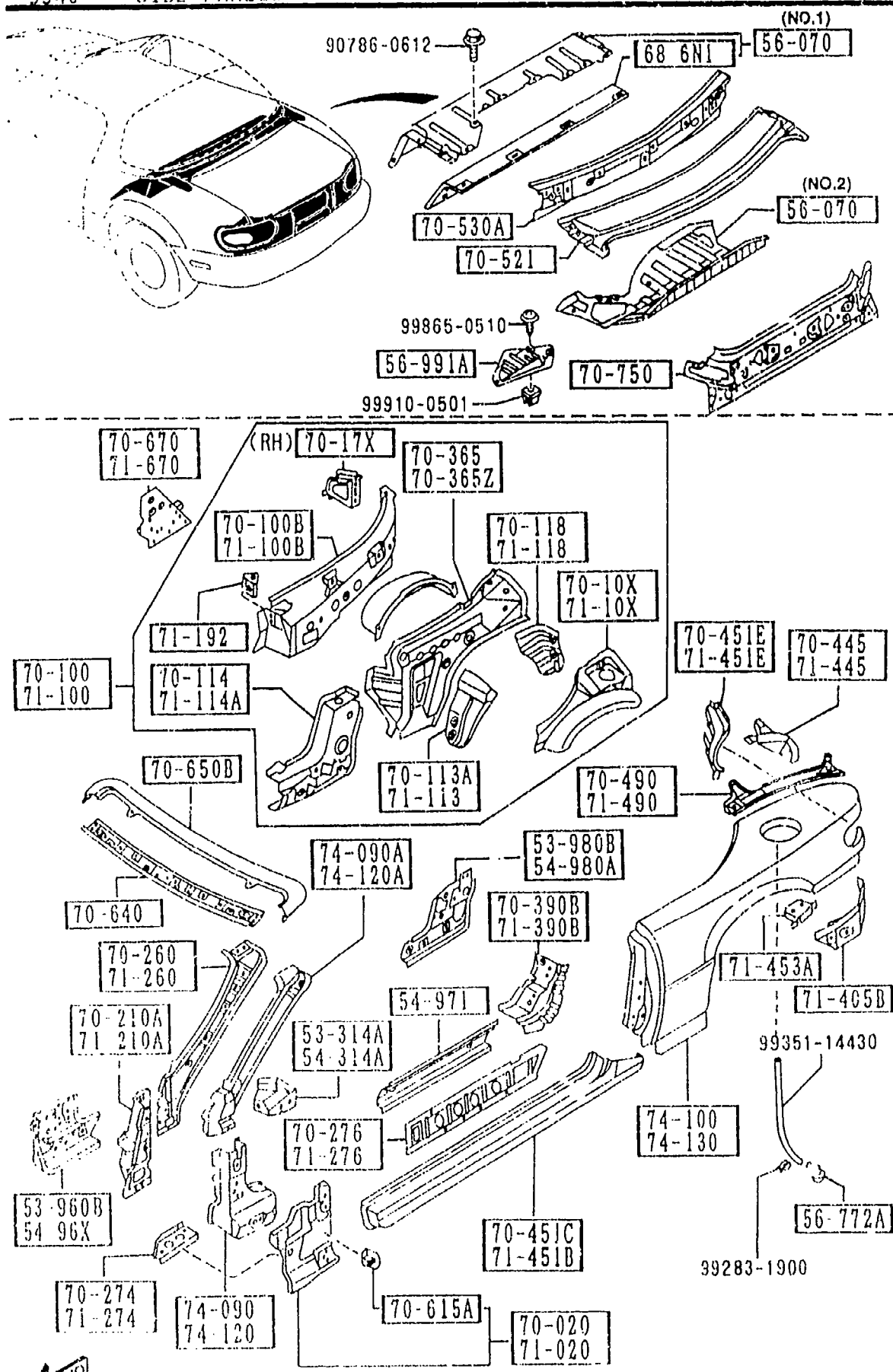


PART NO.	QTY	MODEL/RESTRICTION	MODEL/RESTRICTION	MODEL/RESTRICTION	FROM-TO
CONT'D					
NA01-70-460	1				
+-----+   70-445   +-----+		GUSSET(R), REAR FENDE R-RR			
NA01-70-445	1				
+-----+   70-451C   +-----+		SILL(R), SIDE OUT.			
NA01-70-270B	1				
+-----+   70-451E   +-----+		HOUSING(R), LAMP-RR F ENDER			
NA01-70-J30	1				
+-----+   70-490   +-----+		RAIL(R), RAIN-REAR			
NA01-70-440A	1				
+-----+   70-521   +-----+		PANEL, REAR DECK			
NA01-70-521A	1				
+-----+   70-530A   +-----+		MEMBER, REAR DECK			
NA01-70-530A AN(NA01-70-530B)	1				
NA01-70-530B	1				
+-----+   70-615A   +-----+		BRACKET, FENDER			
B092-70-070A	2				
+-----+   70-640   +-----+		HEADER, FRONT			
NA01-70-640	1	( '95 MODEL)			
NB38-70-640	1	( '96 MODEL)			
+-----+   70-650B   +-----+		HEADER, FRONT UPPER			
NA01-70-650	1				
+-----+   70-670   +-----+		PLATE(R), CLOSING-QFR PANEL			
NA01-70-670	1				
+-----+   70-750   +-----+		PANEL, REAR END			
NA01-70-750G	1				
+-----+   71-020   +-----+		PANEL(L), COWL SIDE			
NA01-71-020B	1				

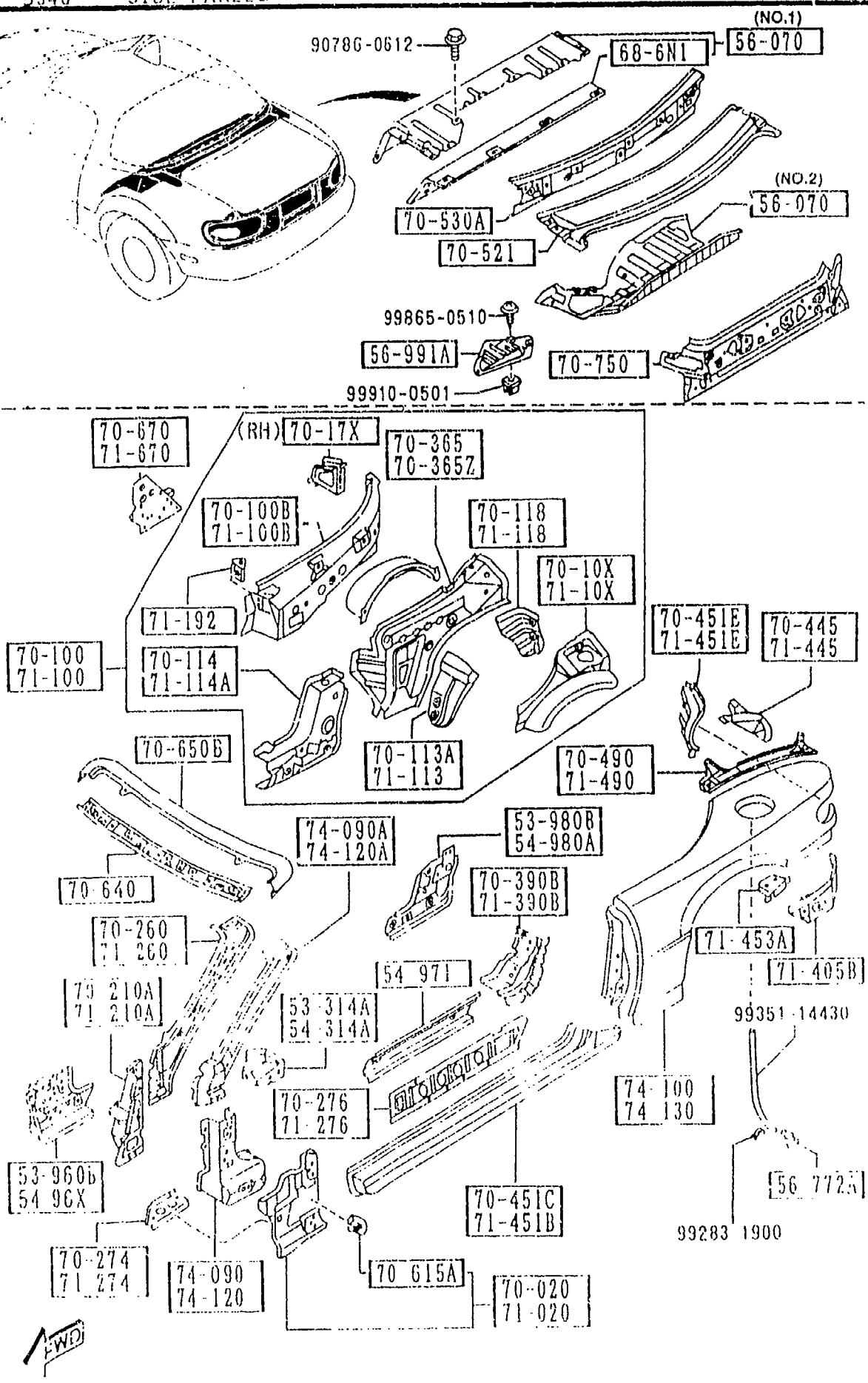
4A01 NA35\* -603621

-4A01  
4A01-

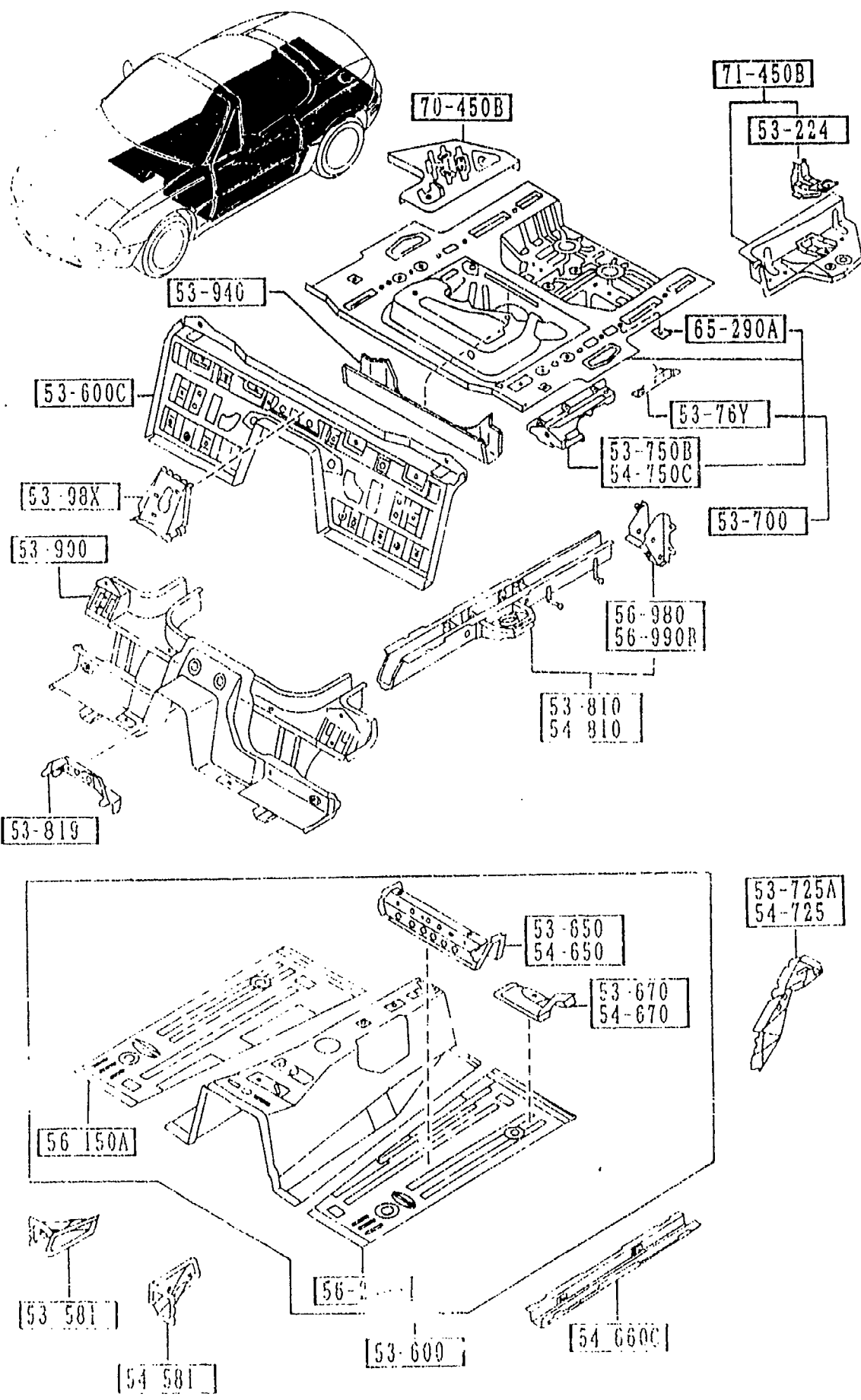
2-K-7



PART NO.	QTY	MODEL/RESTRICTION	MODEL/RESTRICTION	MODEL/RESTRICTION	FROM-TO
71-10X		PANEL(L), QUARTER			
NA01-71-11XB	1				
71-100		PANEL(L), QUARTER			
NA75-71-100	1				
71-100B		PANEL(L), INSIDE			
NA01-71-19XB	1				
71-113		PLATE(L), SEAL			
NA01-71-11Z	1				
71-114A		JUNCTION(L), CORNER-Q /PANE			
NA01-71-12XA	1				
71-118		PROTECTOR(L), SPLASH			
NA01-71-15XA	1				
71-192		BRKT, CAP-QUARTER PANEL			
NA01-71-192	2				
71-210A		PILLAR(L), HINGE			
NA01-71-230	1				
71-260		PILLAR(L), FRT.-INNER			
NA01-71-240B	1				-5301
A (NA01-71-240C)					
NA01-71-240C	1				5301-
71-274		GUSSET(L), SIDE SILL OUTER			
NA01-71-274	1				
71-276		REINF.(L), SIDE SILL			
NA01-71-275	1				
71-390B		REINF.(L), STRIKER			
NA01-71-460	1				
71-405B		PANEL(L), PR FENDER-LOWER			
NA01-71-421	1				
5301 NA35* -616742					

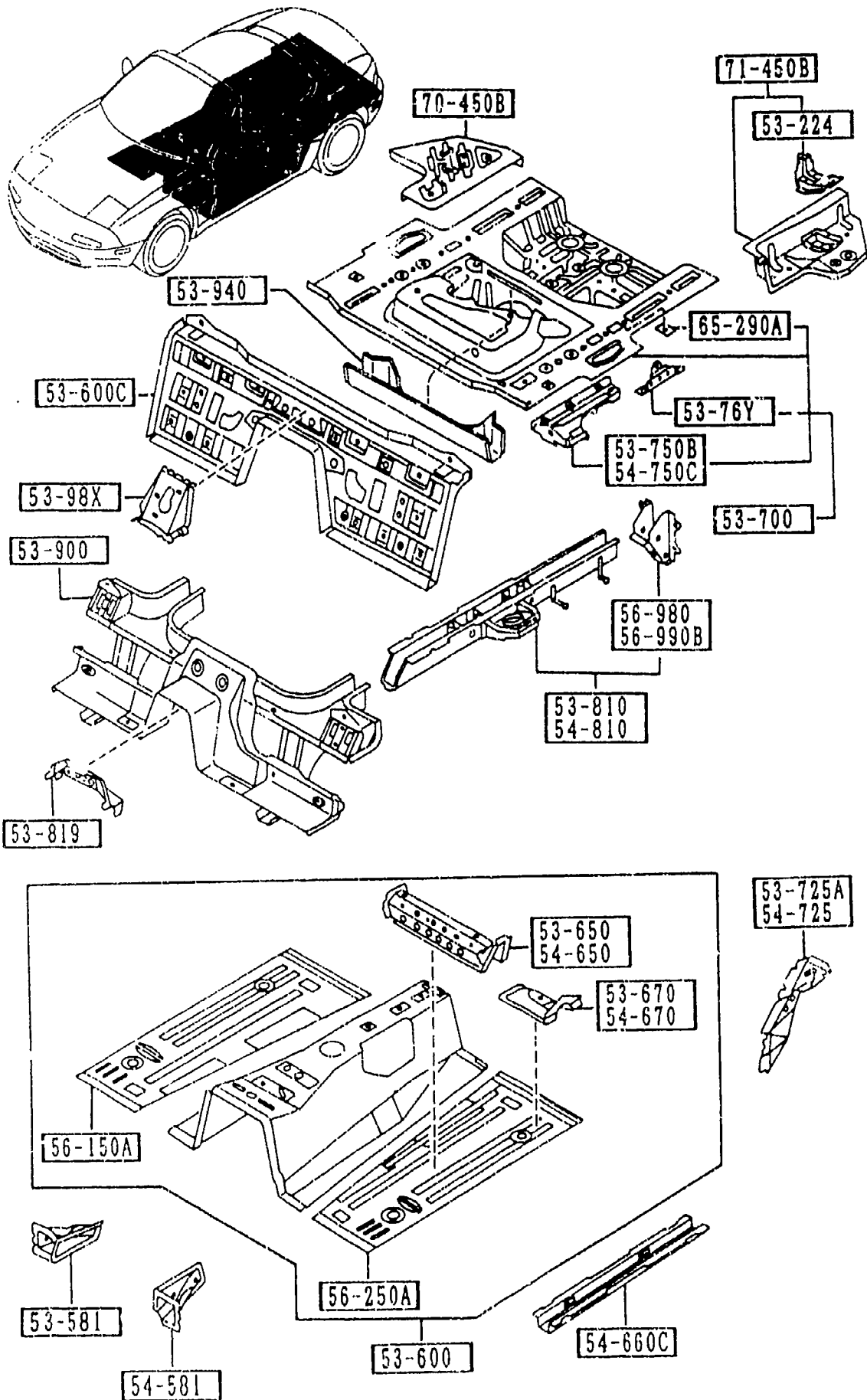


PART NO.	QTY	MODEL/RESTRICTION	MODEL/RESTRICTION	MODEL/RESTRICTION	FROM-TO
71-445		GUSSET(L),REAR FENDER-RR			
NA01-71-445	1				
71-451B		SILL(L),SIDE OUT.			
NA01-71-270B	1				
71-451E		HOUSING(L),LAMP-RR FENDER			
NA01-71-J30	1				
71-453A		BRKT(L),TRK. BOARD-FENDER			
NA01-71-453	1				
71-490		RAIL(L),RAIN-REAR			
NA01-71-440A	1				
71-670		PLATE(L),CLOSING-QTR PANEL			
NA01-71-670B	1				
74-090		PILLAR(R),HINGE-OUT.			
NA01-70-280B	1				
74-090A		PILLAR(R),FRONT-OUT.			
NA01-70-210	1				
74-100		PANEL(R),FENDER-REAR			
NAY1-70-400B	1				
74-120		PILLAR(L),HINGE-OUT.			
NA01-71-280B	1				
74-120A		PILLAR(L),FRONT-OUT.			
NA01-71-210	1				
74-139		PANEL(L),FENDER-REAR			
NAY1-71-400B	1				

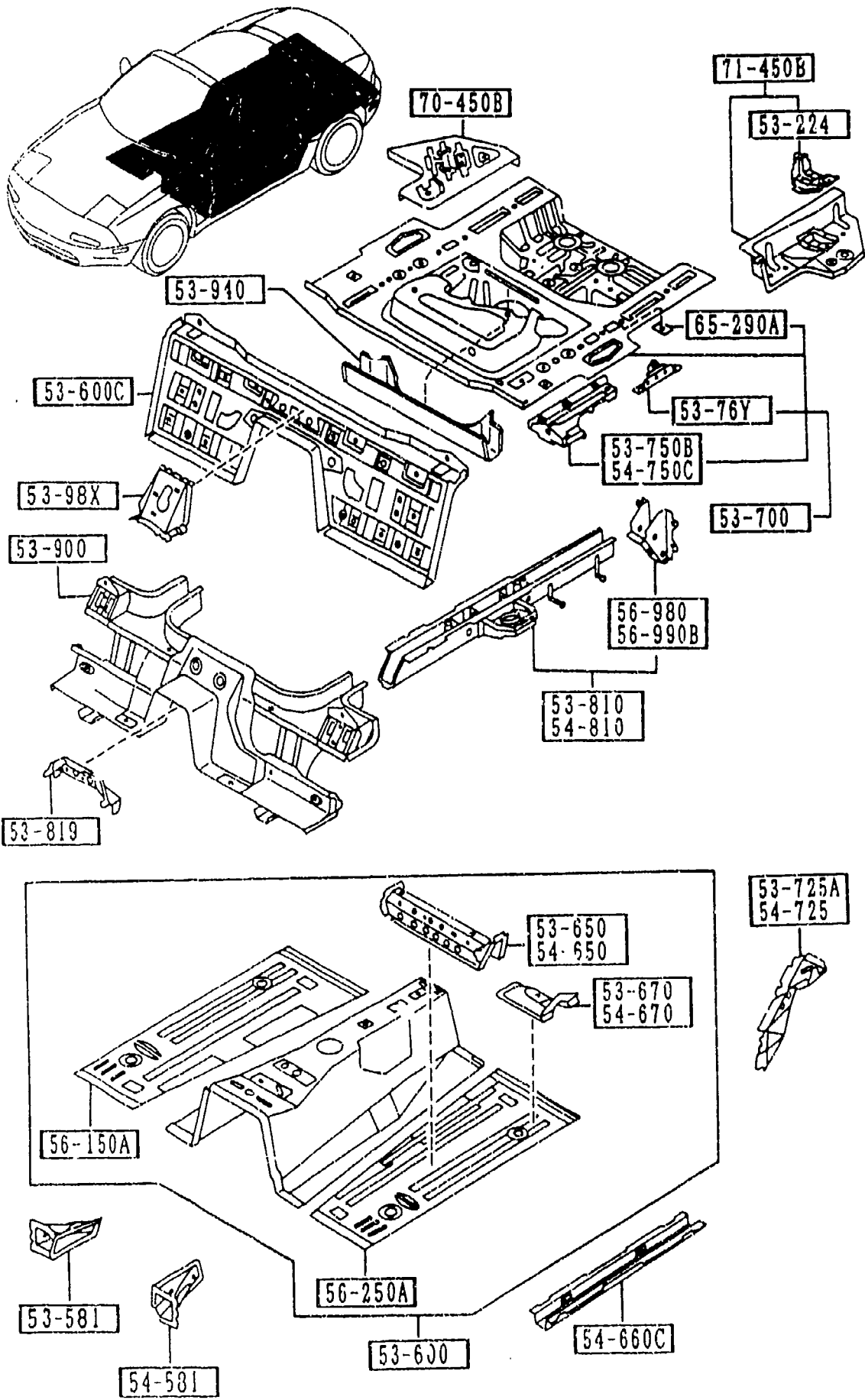


PART NO	QTY	MODEL/RESTRICTION	MODEL/RESTRICTION	MODEL/RESTRICTION	FROM TO
53-224		BRACKET, JACK			
B455-53-750C	1				
53-581		JUNCTION(R), FRT. FLOOR			
NA01-53-482	1				
53-600		PAN, FLOOR-FRONT			
NA01-53-600A	1	( '95 MODEL)			
NB38-53-600	1	( '96 MODEL)			
53-600C		PAN, FLOOR-CENTER			
NA75-53-720	1				
53-650		MEMBER NO.2(R), CROSS FLOOR			
NA01-53-650	1				4805
AN(NA01-53-650A)					
NA01-53-650A	1				4805-
53-670		BRKT(R), SEAT-F. FLOOR PAN			
NA01-53-670A	1				
53-700		PAN, FLOOR-REAR			
NA01-53-710B	1				
53-725A		GUSSET NO.3(R), C FLOOR PAN			
NA01-53-725A	1				
53-750B		PLATE(R), SIDE-REAR FLOOR			
NA01-53-750	1				
53-76Y		PLATE, NO.1 TRUNK FLOOR PAN			
NA01-53-760	2				
53-810		FRAME(R), REAR SIDE			
NA01-53-810F	1				
53-819		BRACKET, PARKING CABL. E-FLOOR			
NA01-53-819	1				
53-900		MEMBER NO.3, CROSS			
NA75-53-900	1				
4805 NA35X -600258					

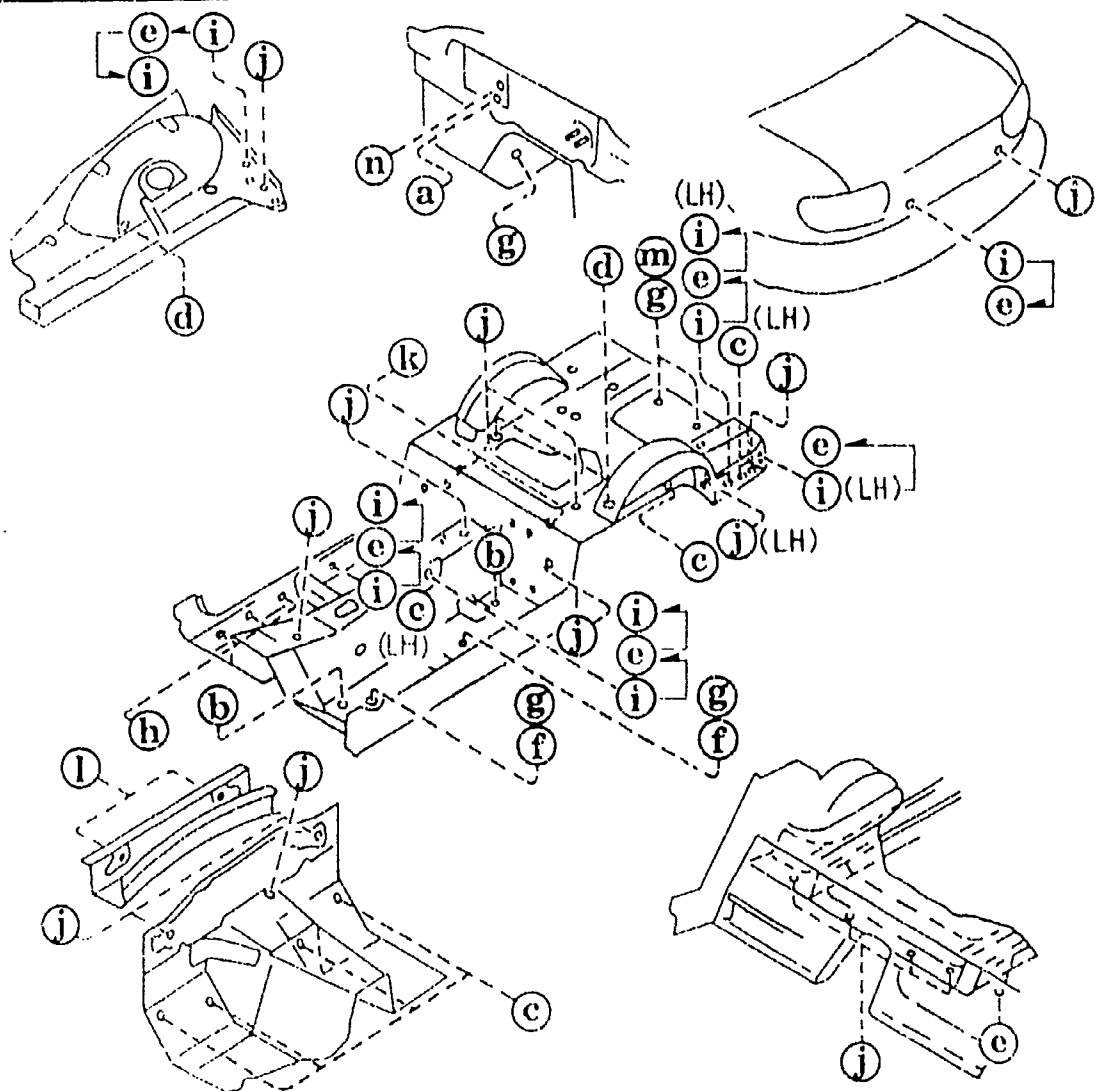




PART NO.	QTY	MODEL/RESTRICTION	MODEL/RESTRICTION	MODEL/RESTRICTION	FROM-TO
53-940		MEMBER NO.4,CROSS			
NA01-53-931	1				
53-98X		GUSSET,FRONT FLOOR P AN			
NA01-53-880A	1				
54-581		JUNCTION(L),FRT. FLO OR			
NA01-54-482	1				
54-650		MEMBER NO.2(L),CROSS -FLOOR			-4805
NA01-54-650 AN(NA01-54-650A)	1				
NA01-54-650A	1				4805-
54-660C		FRAME,FRONT-FRT FLOO R PAN			
NA01-54-660B	2				
54-670		BRKT(L),SEAT-F.FLOOR PAN			
NA01-54-670A	1				
54-725		GUSSET NO.3(L),C.FLO OR PAN			
NA01-54-725A	1				
54-750C		PLATE(L),SIDE-REAR F LOOR			
NA01-54-750	1				
54-810		FRAME(L),REAR SIDE			
NA01-54-810F	1				
56-150A		PAN(R),FLOOR			-4912
NA01-53-602 AN(NA01-53-602A)	1				
NA01-53-602A	1				4912-
56-250A		PAN(L),FLOOR			-4912
NA01-54-610 AN(NA01-54-610A)	1				
NA01-54-610A	1				4912-
56-980		BRKT(R),BUMPER-RR SK IRT			
NA01-53-830C	1				
4805 NA35* -600258					
4912 NA35* -602970					



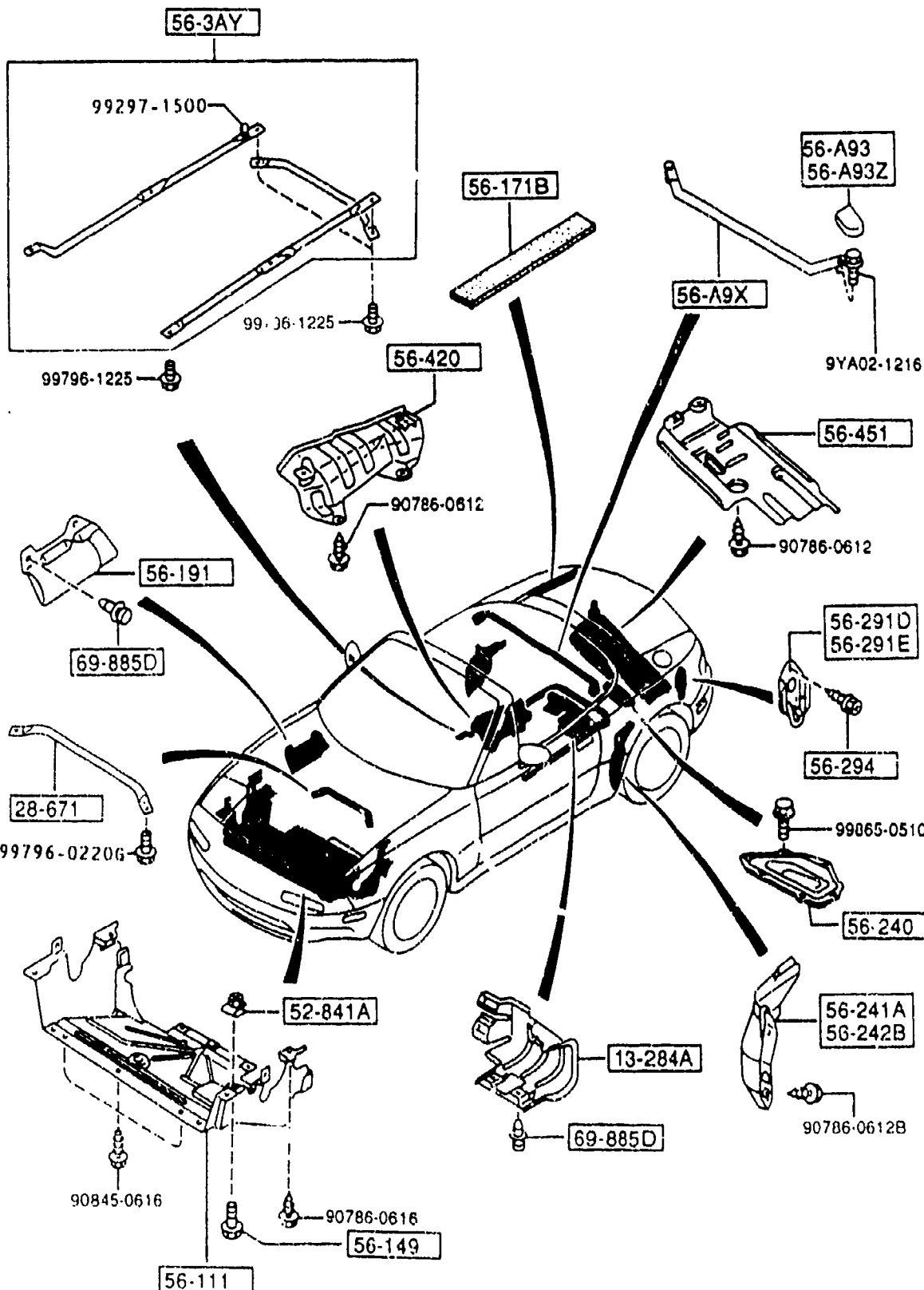
PART NO.	QTY	MODEL/RESTRICTION	MODEL/RESTRICTION	MODEL/RESTRICTION	FROM-TO
56-990B		BRKT(L), BUMPER-RR SK IRT			
NA01-54-830C	1				
65-290A		BRACKET			
1353-65-190	1				
70-450B		PANEL(R), FLOOR SIDE			
NA01-53-740C	1				
71-450B		PANEL(L), FLOOR SIDE			
NA01-54-740A	1				



- |                                      |                              |
|--------------------------------------|------------------------------|
| (a) 53-134B (HOLE $\phi$ 26)         | (h) 56-241B (HOLE $\phi$ 29) |
| (b) 56-051 (NO.1)                    | (i) 56-241J                  |
| (c) 56-052 (NO.1) (HOLE $\phi$ 20.5) | (j) 56-242 (HOLE $\phi$ 22)  |
| (d) 56-052 (NO.2) (HOLE $\phi$ 20.5) | (k) 56-615F (HOLE $\phi$ 40) |
| (e) 56-051 (NO.2)                    | (l) 56-615M (HOLE $\phi$ 15) |
| (f) 56-061A (HOLE $\phi$ 65)         | (m) 56-971 (HOLE $\phi$ 100) |
| (g) 56-241 (HOLE $\phi$ 20)          | (n) 61-031 (HOLE $\phi$ 36)  |

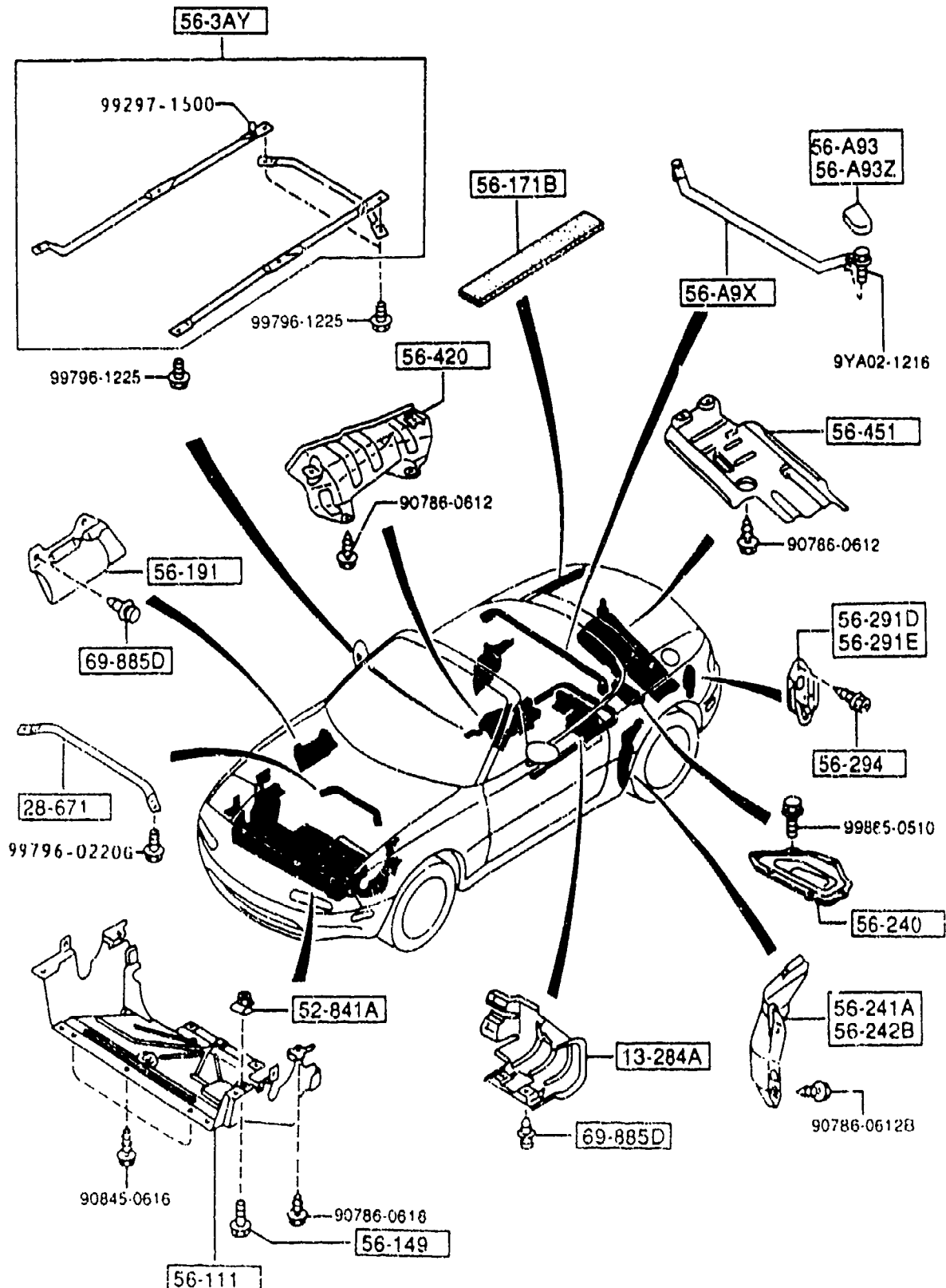
PART NO.	QTY	MODEL/RESTRICTION	MODEL/RESTRICTION	MODEL/RESTRICTION	FROM - TO
53-134B		RUBBER, DUST SEAL			
0187-53-134	1				
56-051		COVER, HOLE			
1011-56-051	4	(ILLUST. NO.1)			
BC1D-56-052	9	(ILLUST. NO.2)			4C05-5106
BC1D-56-052	3	(ILLUST. NO.2)			5106-
56-052		PLUG, DRAIN			
B092-56-052	8	D=12MM (ILLUST. NO.1)			
FB01-56-056	4	(ILLUST. NO.2) (W/O A. LOCK BRAKE)			
56-061A		COVER, HOLE			
8545-56-052	4				
56-241		PLUG, DRAIN			
0118-56-241	7				
56-241B		PLUG			
B001-56-051	6				
56-241J		PLUG, DRAIN			
8477-56-241	9				-4C05
8477-56-241	6				4C05-
56-242		PLUG, DRAIN			
0118-56-242B	17				
56-615F		PLUG, DRAIN			
0208-56-615	2				
56-615M		PLUG, DRAIN			
NA01-56-051	2				
56-971		COVER, HOLE			
8545-56-053	2				
61-031		PLUG, HOLE			
1708-61-031	1				
4C05 NA35* -610026					
5106 NA35* -612163					

5390 FLOOR ATTACHMENT

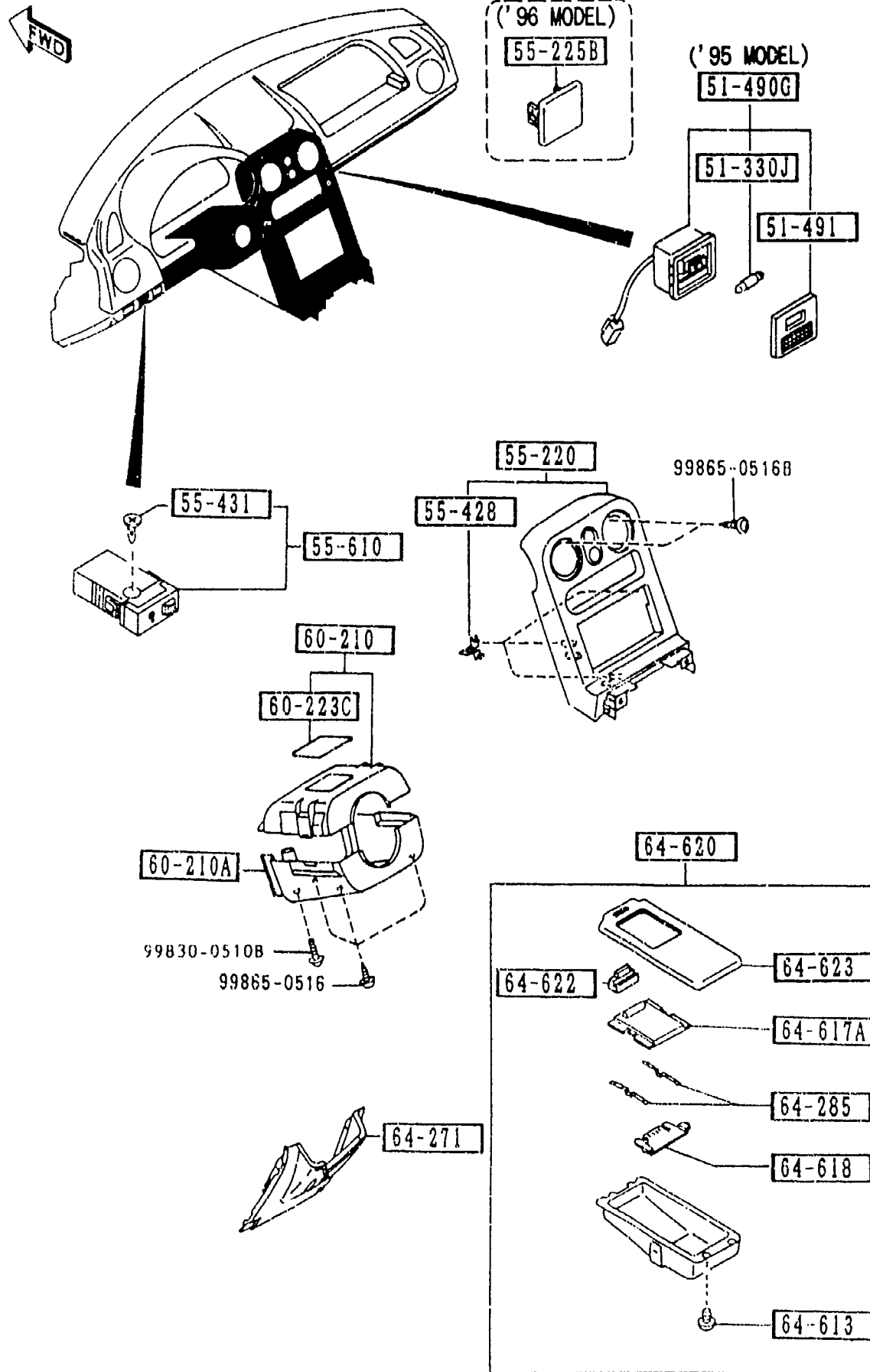


5390 -1 FLOOR ATTACHMENTS

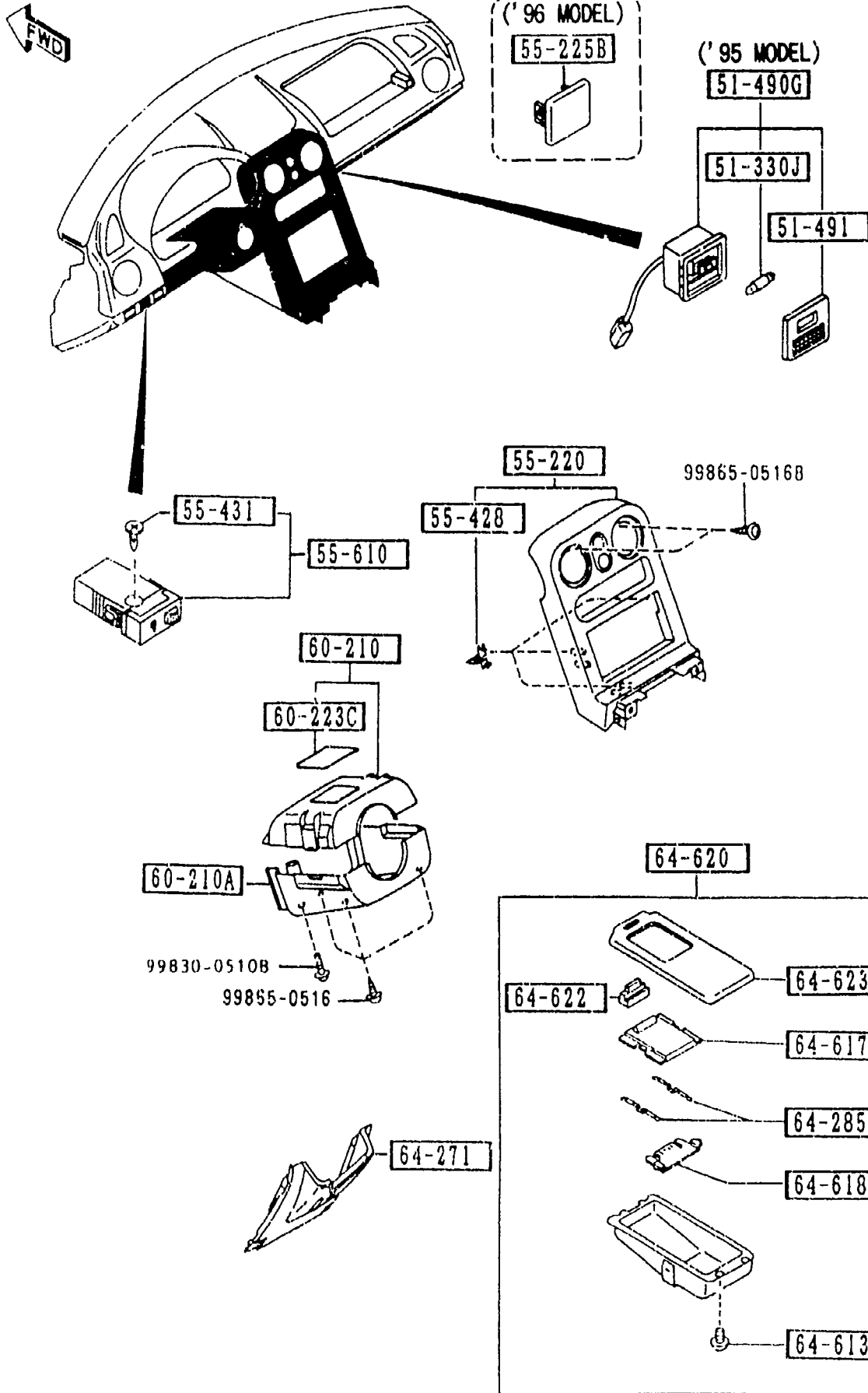
PART NO.	QTY	MODEL/RESTRICTION	MODEL/RESTRICTION	MODEL/RESTRICTION	FROM-TO
13-284A		COVER, FUEL FILTER			
NA75-56-241	1				
28-671		ROD, PERFORMANCE			
NA75-56-891	1				
52-841A		NUT, CLIP			
B455-56-135	1				
56-A9X		BAR, BRACE			
NA75-56-A9XB	1				
56-A93		COVER(R), BRACE BAR			
NA75-56-A93	1				
56-A93Z		COVER(L), BRACE BAR			
NA75-56-A94	1				
56-111		COVER, UNDER			
NA01-56-111D	1				
56-149		SCREW, TAPPING-MUD GUARD			
B455-56-149	1				
56-171B		PROTECTOR(R), RR FENDER			
NA01-56-171A	1				
56-191		SHIELD, SPLASH			
NA01-56-112	1				
56-240		COVER			
NA75-56-06X	1				
56-241A		SHIELD(R), SPLASH-REAR			
NA01-56-311A	1				
56-242B		SHIELD(L), SPLASH-REAR			
NA01-56-321A	1				
56-291D		HOOK(R), TIE DOWN			
NA01-56-29XC	1				



PART NO.	QTY	MODEL/RESTRICTION	MODEL/RESTRICTION	MODEL/RESTRICTION	FROM-TO
56-291E		HOOK(L),TIE DOWN			
NA01-56-291C	1				
56-294		SCREW,TIE DOWN HOOK			
NA01-56-294	4				
56-3AY		REINF.(L),FLOOR			
NA75-56-3AY	1	( '95 MODEL ) ( ('96 MODEL)>(L.S. D IFF) )			
56-420		INSULATOR,FRONT			
NA75-56-411 A (NA75-56-411A)	1				-6513
*NA75-56-411A	1				6513-
56-451		INSULATOR			
NA01-56-451	1				
69-885D		FASTENER			
NA01-56-145	7				
6513 NA3** -718765					

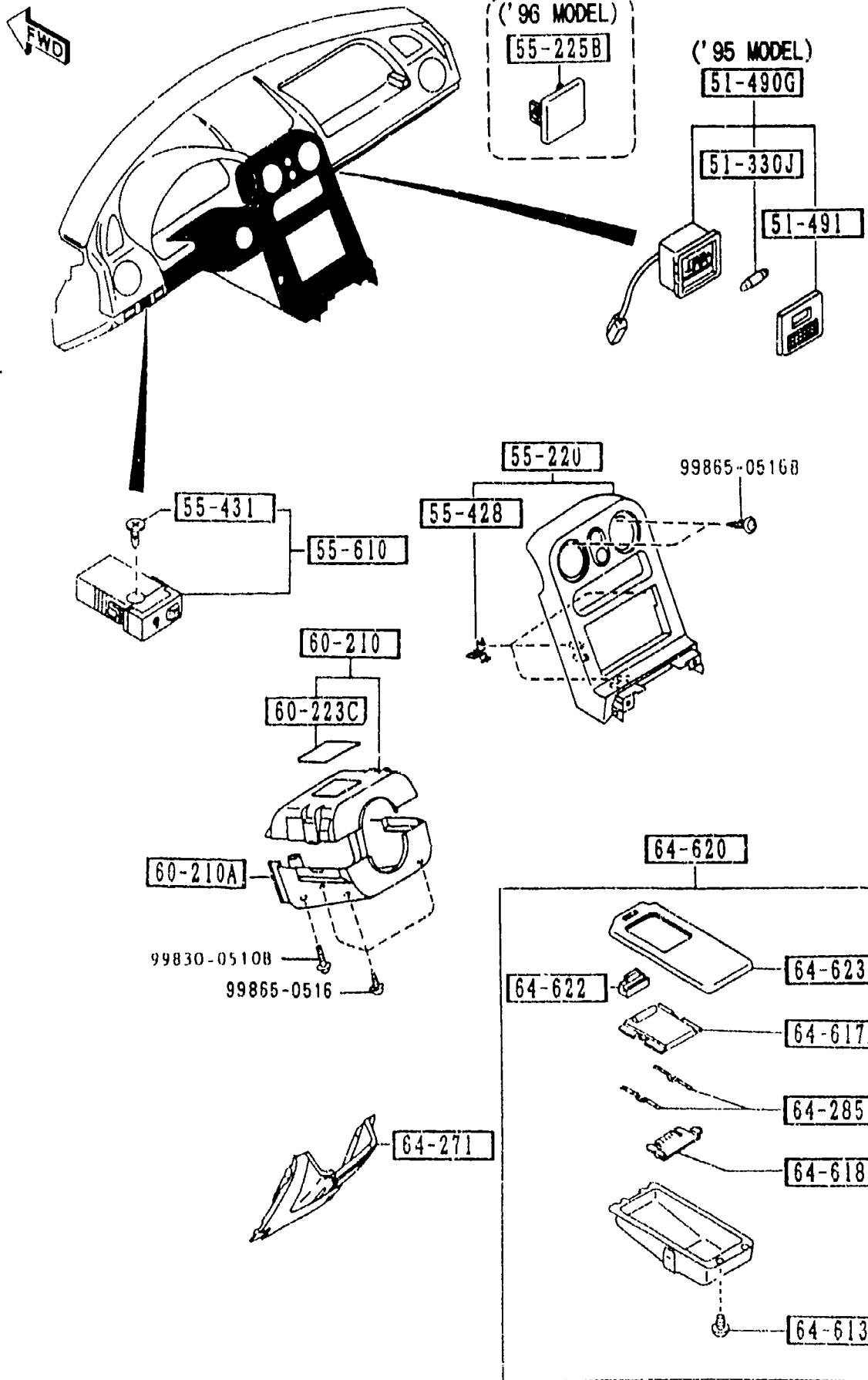


PART NO	QTY	MODEL/RESTRICTION	MODEL/RESTRICTION	MODEL/RESTRICTION	FROM-TO
51-330J		BULB			
99701-5050	1	12V 5W ('95 MODEL)			
51-490G		LAMP, PERSONAL			
NA01-51-490B	1	('95 MODEL)			
00	INT-	NA3 NA4 NA5 NA6 NA7 BLACK			
51-491		LENS, PERSONAL LAMP			
H197-51-491A	1	('95 MODEL)			
55-220		PANEL, CENTER			
NA75-55-210A	1	('95 MODEL) (ML-'96 MODEL)			
00	INT-	NA3 NA4 NA5 NA6 NA7 NAB BLACK			
NA75-55-210A	1	(W/C.D.) (GUAM-'96 MODEL) (SAIPAN-'96 MODEL)			
00	INT-	NA3 NA4 NA5 NA6 NA7 NAB BLACK			
NB38-55-210A	1	(W/O C.D.) (GUAM-'96 MODEL) (SAIPAN-'96 MODEL)			
00	INT-	NA3 NA4 NA5 NA6 NA7 NAB BLACK			
55-225B		COVER, HOLE			
NB38-55-225A	1	('96 MODEL)			
00	INT-	NA3 NA7 NAB BLACK			
88	INT-	NA4 NA5 TAN			
55-428		SPRING, METER HOOD			
GJ21-55-428	3				
55-431		BULB, RESISTOR			
BR70-55-431	1				
55-610		RESISTOR, PANEL LIGHT			
BR70-55-490	1				
60-210		COVER, COLUMN-UPPER			



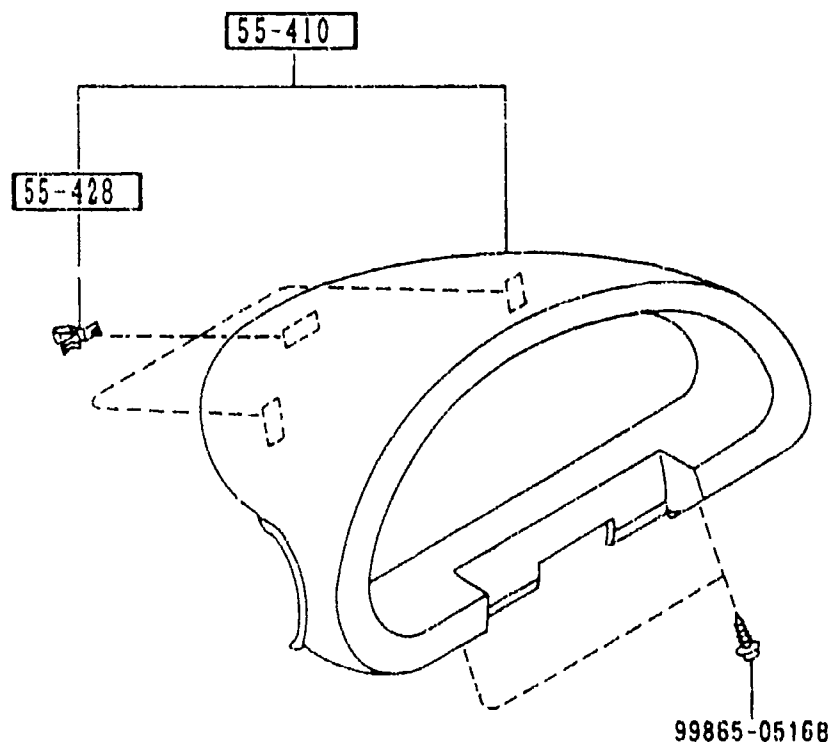
PART NO.	QTY	MODEL/RESTRICTION	MODEL/RESTRICTION	MODEL/RESTRICTION	FROM-TO
CONT'D					
NA01-60-220	1				
00	INT-	NA3 NA4 NA5 NA6 NA7 NA8 BLACK			
60-210A		COVER, COLUMN-LOWER			
NA01-60-230A	1				
00	INT-	NA3 NA4 NA5 NA6 NA7 NA8 BLACK			
60-223C		CAP, COLUMN COVER			
NA01-60-223	1				
00	INT-	NA3 NA4 NA5 NA6 NA7 NA8 BLACK			
64-271		PANEL, CENTER-LOWER			
NA75-64-270B	1				-4B01
00	INT-	NA3 BLACK			
88	INT-	NA4 NA5 TAN			
NA75-64-270C	1				4B01-
00	INT-	NA3 NA7 NA8 BLACK			
88	INT-	NA4 NA5 TAN			
64-285		SPRING, ASHTRAY			
NA01-64-612	2				
64-613		SCREW, ASHTRAY			
NA01-64-613	4				
64-617A		LID, ASHTRAY			
NA01-64-617	1				
00	INT-	NA3 NA4 NA5 NA6 NA7 NA8 BLACK			
64-618		PLATE, ASHTRAY			
NA01-64-618	1				
64-620		TRAY, ASH			
NA01-64-610B	1				
00	INT-	NA3 NA4 NA5 NA6 NA7 NA8 BLACK			

4B01 NA35\* -606043

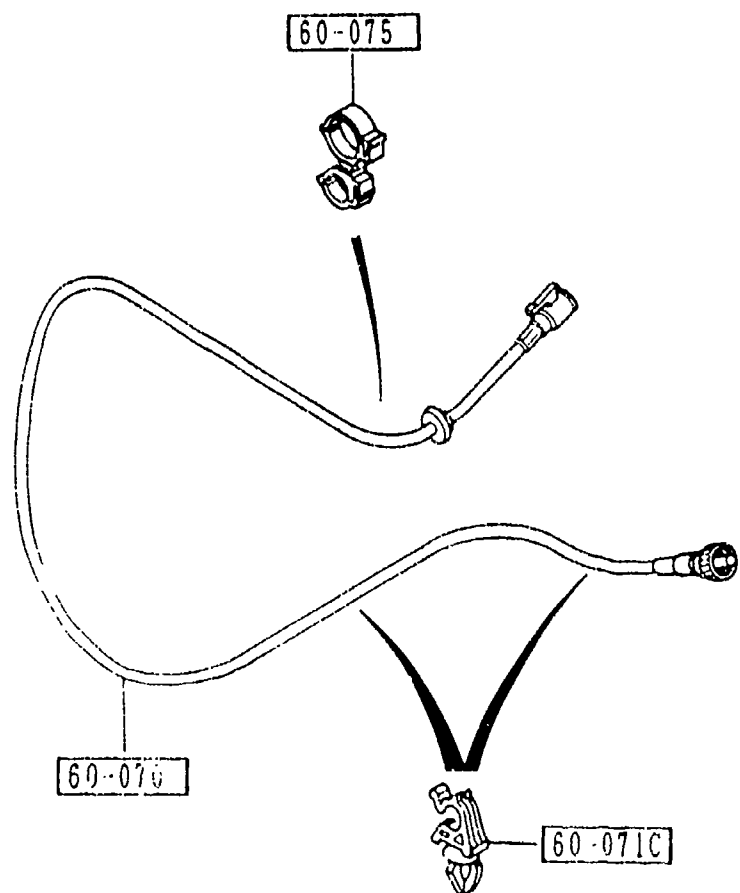


PART NO.	QTY	MODEL/RESTRICTION	MODEL/RESTRICTION	MODEL/RESTRICTION	FROM-TO
64-622		LIGHT, PLATE-ASHTRAY			
NA01-64-622	1				
64-623		CASE 'OUT', ASHTRAY			
NA01-64-623	1				
00	INT-	NA3 NA4 NA5 NA6 NA7 NA8 BLACK			



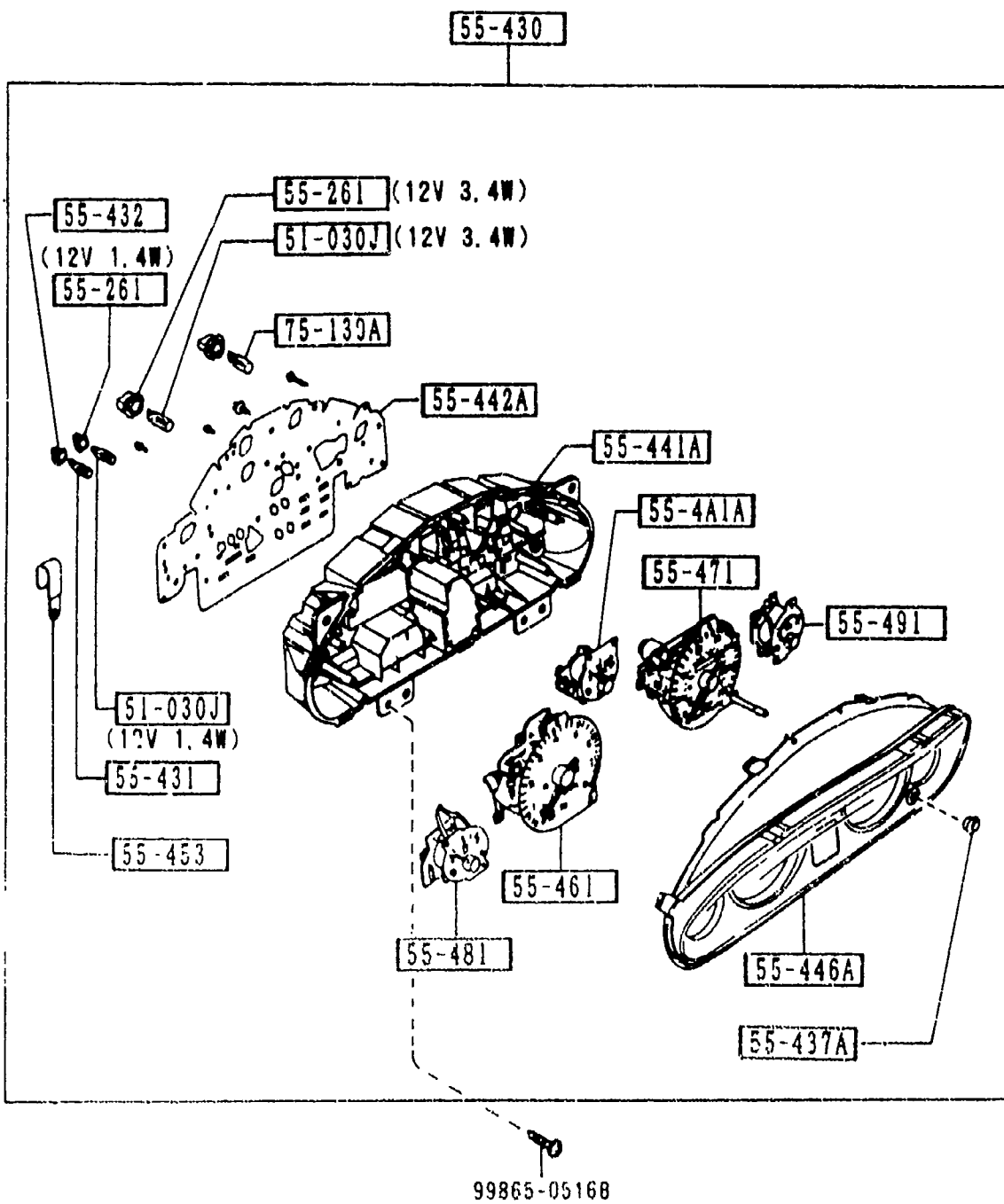


PART NO.	QTY	MODEL/RESTRICTION	MODEL/RESTRICTION	MODEL/RESTRICTION	FROM-TO
55-410		HOOD, METER			
NA75-55-420B	1	BASE, R-PKG, PKG-B, R.E.GR, PKG-A, (INSTRUMENT PANEL-BL ACK)			
00	INT-	NA3 NA4 NA5 NA7 NA8 BLACK			
NA79-55-420B	1	L-PKG, PKG-C, M-25-E D, (INSTRUMENT PANEL-TA N)			
00	INT-	NA4 NA5 BLACK			
55-428		SPRING, METER HOOD			
GJ21-55-428	3				



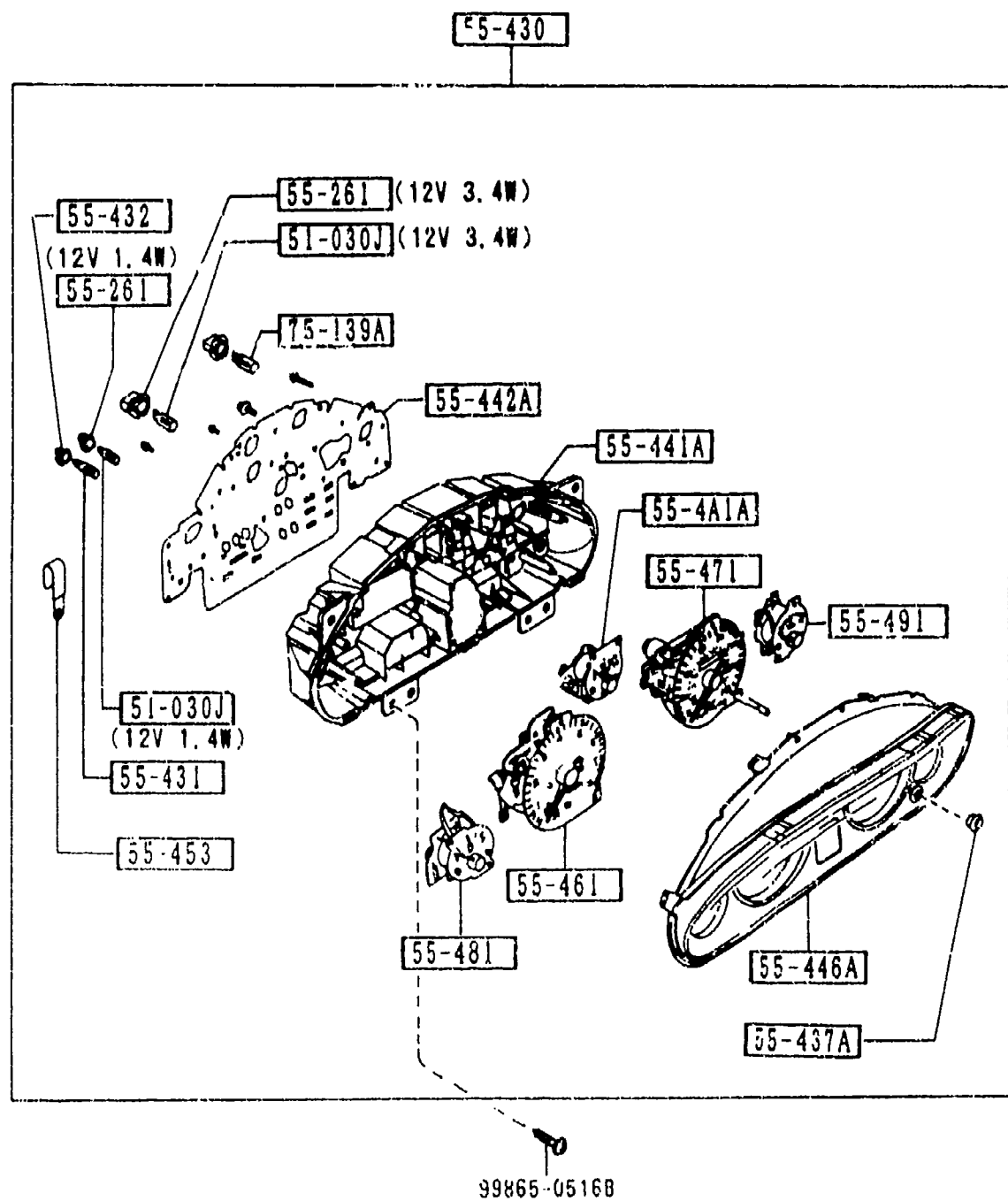
PART NO.	QTY	MODEL/RESTRICTION	MODEL/RESTRICTION	MODEL/RESTRICTION	FROM-TO
60-070		CABLE, SPEEDMETER			
NA01-60-070B	1	(MT)			
NA03-60-070A	1	(AT)			
60-071C		CLIP			
NA03-60-071	2				
60-075		CLIP 'A', SPEEDOMETER CABLE			
NA01-60-075	1				

FWD



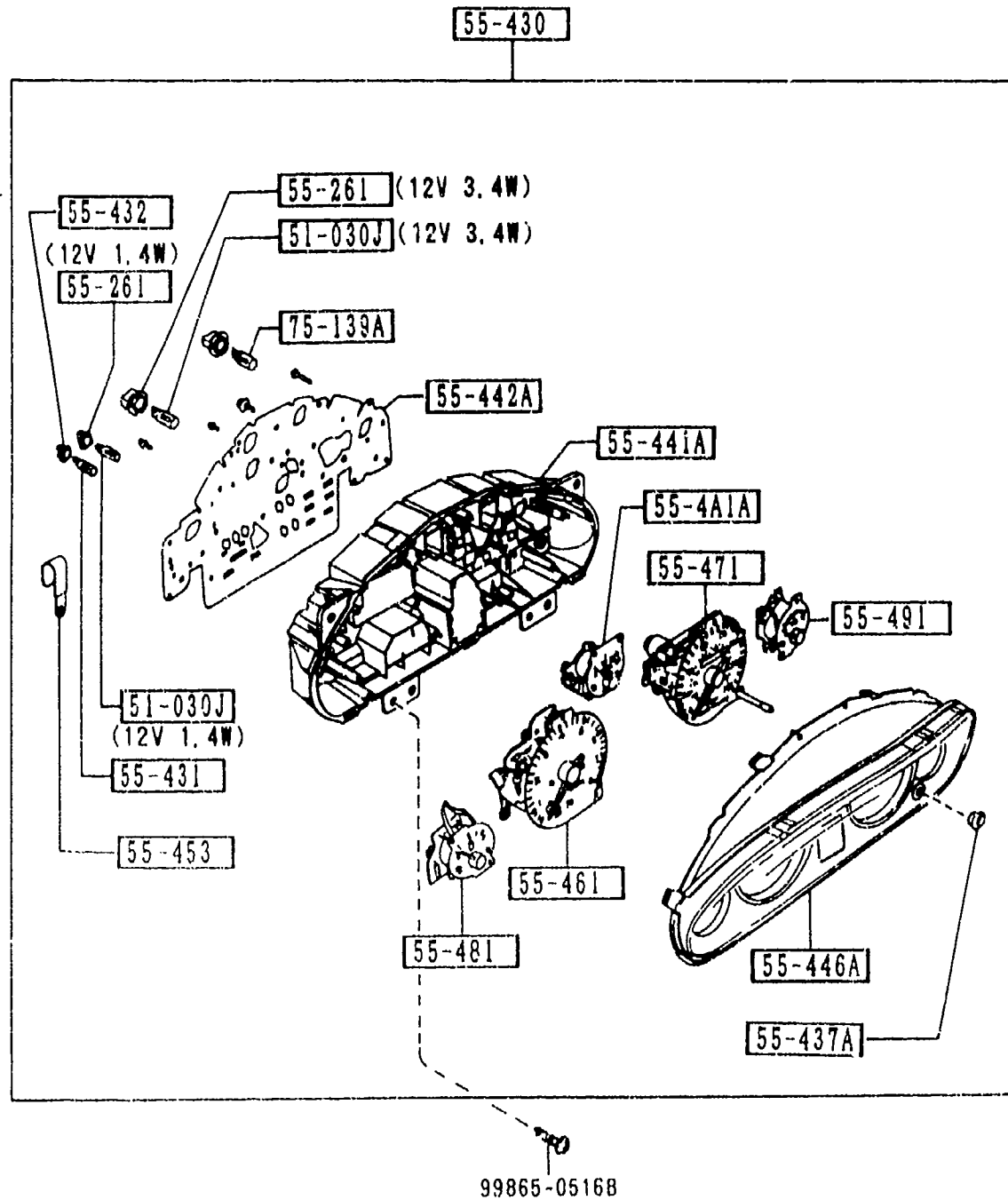
PART NO.	QTY	MODEL/RESTRICTION	MODEL/RESTRICTION	MODEL/RESTRICTION	FROM-TO
51-030J		BULB			
3625-75-139	8	12V 1.4W (TYPE 'A' DESIGN)			
99701-6030	3	12V 3.4W			
3625-75-139	8	12V 1.4W (TYPE 'B' DESIGN)			-5B15
3625-75-139	9	12V 1.4W (TYPE 'B' DESIGN)			5B15-
55-261		SOCKET			
1316-55-261	3	12V 3.4W			
8548-55-261	8	12V 1.4W (TYPE 'A' DESIGN)			
8548-55-261	8	12V 1.4W (TYPE 'B' DESIGN)			-5B15
8548-55-261	9	12V 1.4W (TYPE 'B' DESIGN)			5B15-
55-4A1A		METER, OIL PRESSURE			
NA75-55-4A1	1	(TYPE 'A' DESIGN)			
NA75-55-4A1	1	(TYPE 'B' DESIGN)			-5B15
NB39-55-4A1	1	(TYPE 'B' DESIGN)			5B15-
55-430		METER SET			
NA75-55-430C	1	BASE, (CHROMIUM-PLATED) ('95 MODEL)			
NB13-55-430B	1	M-25-ED, (BLACK) ('95 MODEL)			
NB13-55-430B	1	('96 MODEL)			-5B15
NB13-55-430B	1	(TYPE 'A' DESIGN) ('96 MODEL)			5B15-
NB39-55-430	1	(TYPE 'B' DESIGN) ('96 MODEL)			5B15-
55-431		BULB, RESISTOR			
NA01-55-431	1	(TYPE 'A' DESIGN)			
NA01-55-431	1	(TYPE 'B' DESIGN)			-5B15
55-432		SOCKET, METER SET			
NA01-55-432	1	(TYPE 'A' DESIGN)			

5B15 NA3\*\* -705265



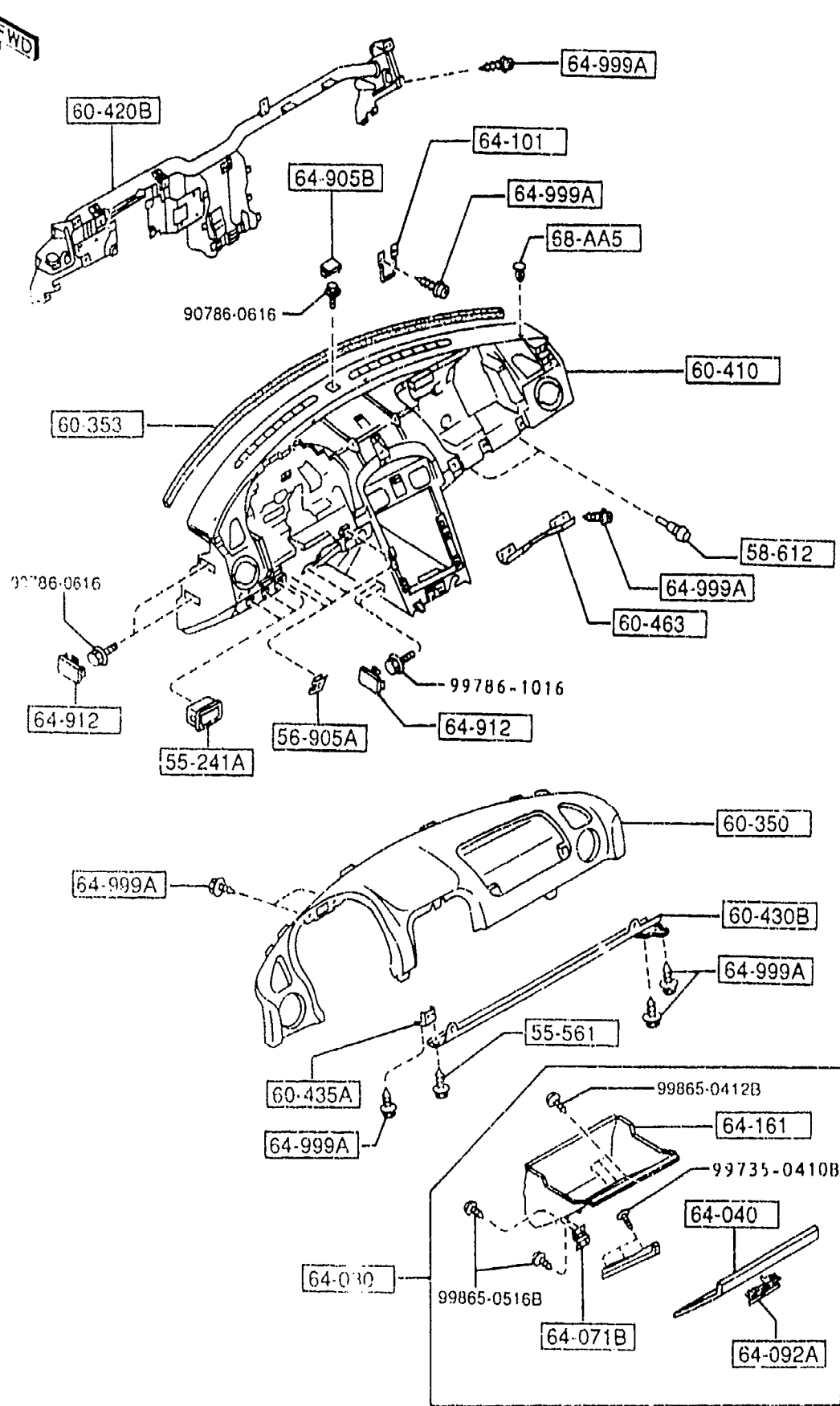
PART NO.	QTY	MODEL/RESTRICTION	MODEL/RESTRICTION	MODEL/RESTRICTION	FROM-TO
CONT'D					
NA01-55-432	1	(TYPE 'B' DESIGN)			-5B15
55-437A		GROMMET, KNOB-METER SET			
NA01-55-437	1				
55-441A		CASE, METER			
NA01-55-441D	1				
55-442A		PLATE, PRINT			
NA75-55-442	1				
55-446A		PLATE, WINDOW			
NA01-55-446B	1	BASE, (CHROMIUM-PLATED) ('95 MODEL)			
NB13-55-446	1	('96 MODEL)			
NB13-55-446	1	M-25-ED, (BLACK) ('95 MODEL)			
55-453		CLAMP			
NA07-55-467	1				
55-461		TACHOMETER			
NA75-55-461	1	(TYPE 'A' DESIGN)			
NA75-55-461	1	(TYPE 'B' DESIGN)			-5B15
NB39-55-461	1	(TYPE 'B' DESIGN)			5B15-
55-471		SPEEDOMETER			
NA01-55-471B	1	(TYPE 'A' DESIGN)			
NA01-55-471B	1	(TYPE 'B' DESIGN)			-5B15
NB39-55-471	1	(TYPE 'D' DESIGN)			5B15-
55-481		METER, FUEL			
NA01-55-481	1	(TYPE 'A' DESIGN)			
NA01-55-481	1	(TYPE 'B' DESIGN)			-5B15
NB39-55-481	1	(TYPE 'B' DESIGN)			5B15-
55-491		METER, TEMP			
NA75-55-491	1	(TYPE 'A' DESIGN)			
NA75-55-491	1	(TYPE 'B' DESIGN)			-5B15

5B15 NA3\*\* -705265

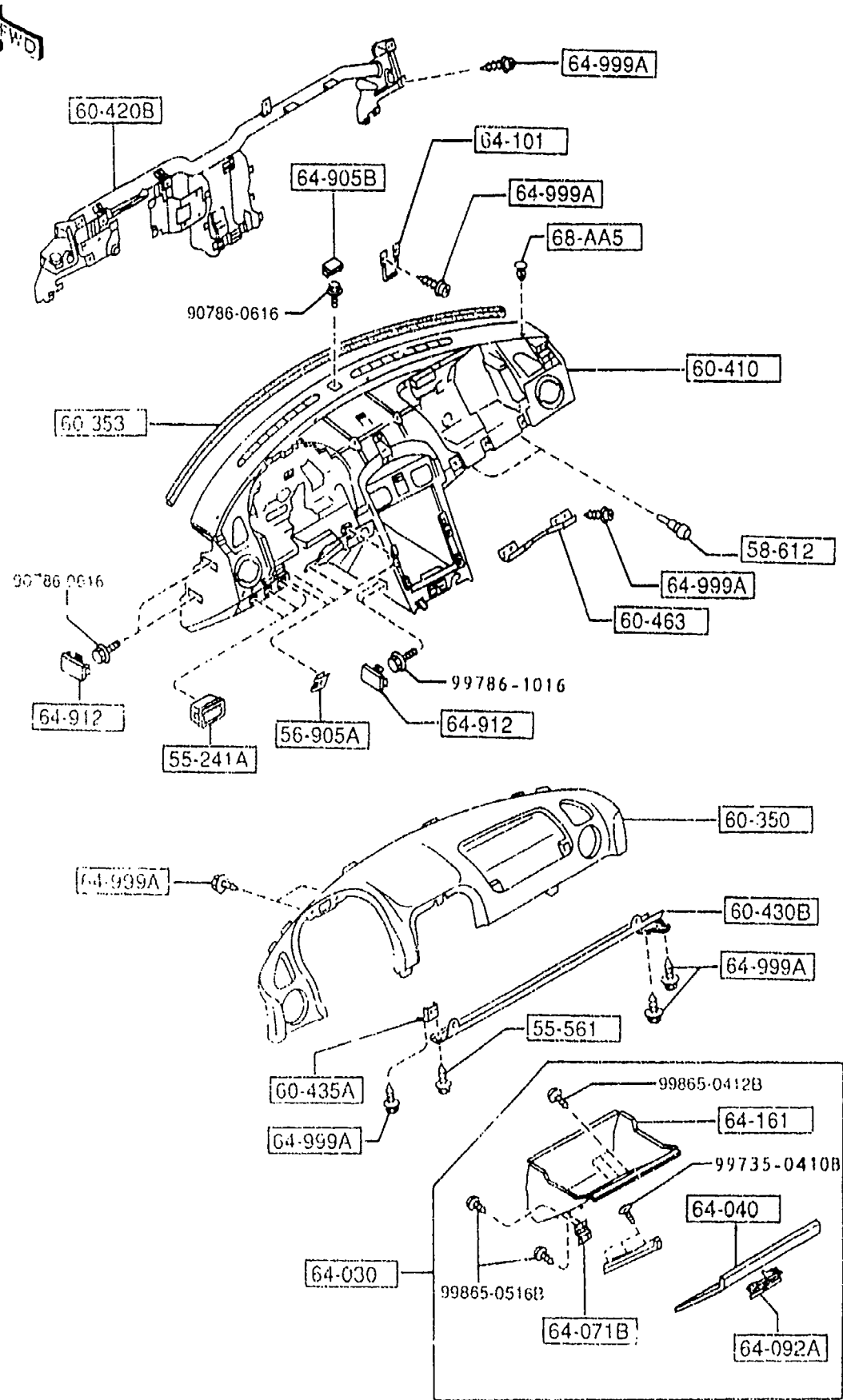


PART NO.	QTY	MODEL/RESTRICTION	MODEL/RESTRICTION	MODEL/RESTRICTION	FROM-TO
CONT'D NB39-55-491	1	(TYPE 'B' DESIGN)			5815-
+-----+   75-139A   +-----+		BULB			
B491-55-431	4				

5815 NA3\*\* -705265

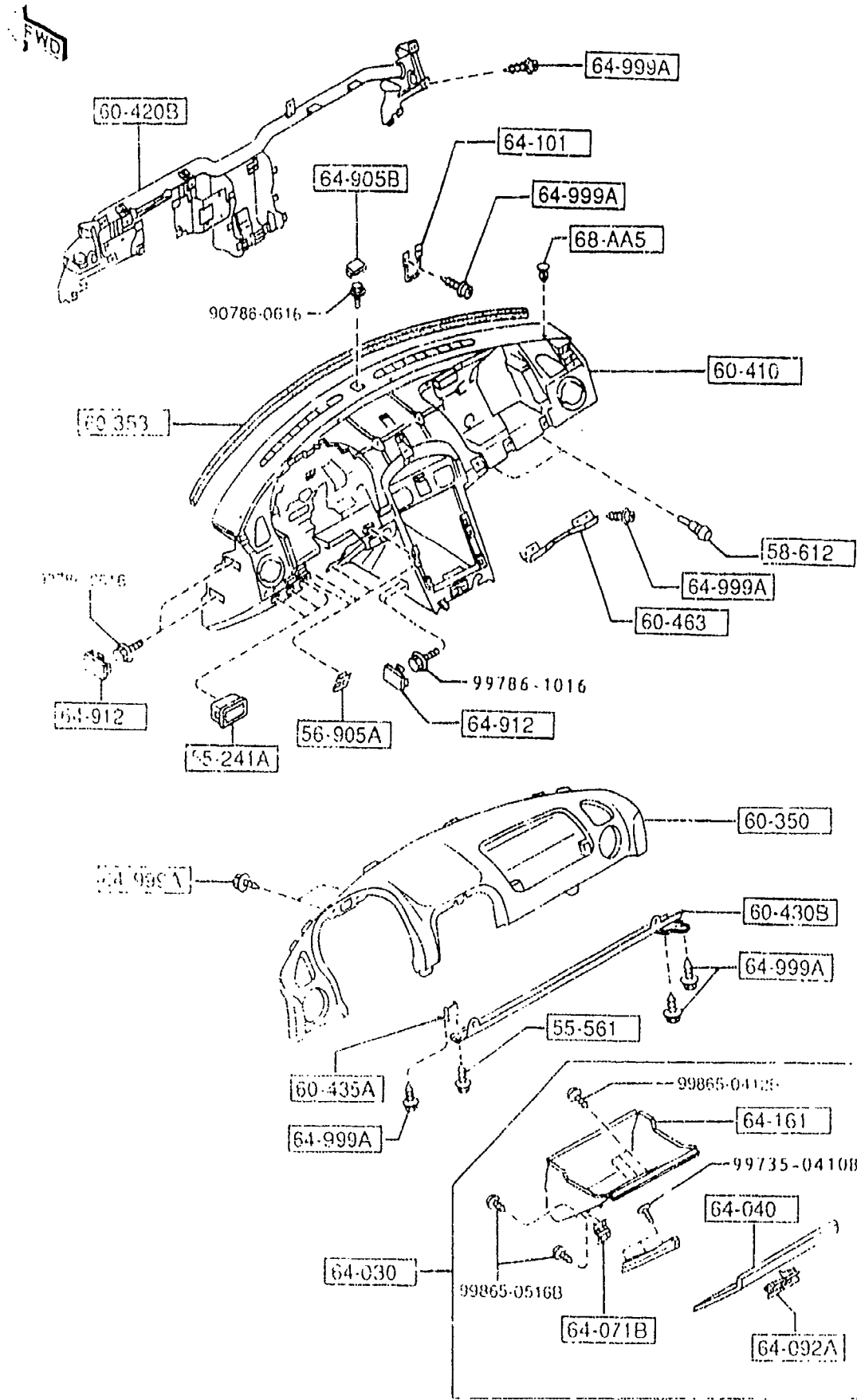


PART NO.	QTY	MODEL/RESTRICTION	MODEL/RESTRICTION	MODEL/RESTRICTION	FROM-TO
55-241A		BOX, INSTRUMENT PANEL			
NA01-55-241A	3				
00	INT-	NA3 NA4 NA5 NA6 NA7 NA8 BLACK			
55-561		BOLT, INST. PANEL			
B455-55-561	1				
56-905A		NUT, SPRING			
B092-60-408	4				
58-612		CUSHION, RUBBER			
B092-64-046	2				
60-350		PAD, CRASH			
NA75-60-350B	1				
00	INT-	NA3 NA4 NA5 NA6 NA7 NA8 BLACK			
60-353		RUBBER, URETHNE			
NA75-60-353	1				
60-410		FRAME, INST. PANEL			
NA75-60-401D	1				-4922
00	INT-	NA3 BLACK			
88	INT-	NA5 NA4 BLACK/TAN			4922-5508
NA75-60-401E	1				
00	INT-	NA3 NA7 BLACK			
88	INT-	NA4 NA5 BLACK/TAN			5508-
NA75-60-401G	1				
00	INT-	NA3 NA7 NA8 BLACK			
88	INT-	NA4 NA5 BLACK/TAN			
60-420B		MEMBER, CRASH PAD			
NA75-60-420B	1	(195 MODEL) (ML-'96 MODEL)			
NB38-60-420	1	(GUAM-'96 MODEL) (SAIPAN-'96 MODEL)			
60-430B		MEMBER(R), INST. PANEL			
4922 NA35*	-603332				
5508 NA35*	-620210				



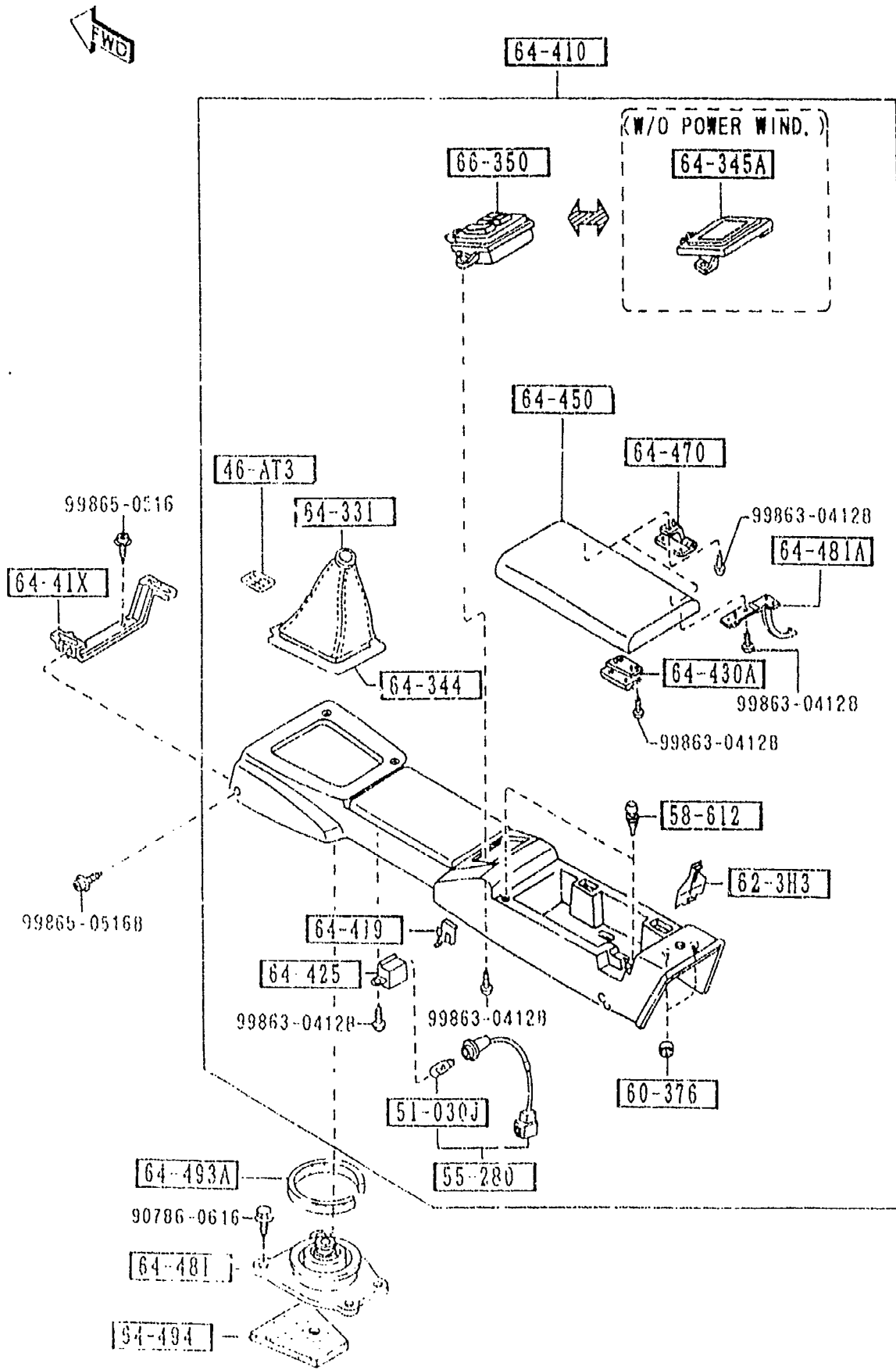
PART NO.	QTY	MODEL/RESTRICTION	MODEL/RESTRICTION	MODEL/RESTRICTION	FPOM-TO
CONT'D					
NA75-60-430	1				-4922
NA01-60-430E	1				4922-
+-----+ 60-435A +-----+		BRACKET, MEMBER			
NA01-60-435	1				
+-----+ 60-463 +-----+		BRACKET, CRASH PAD			
NA01-60-463	1				
+-----+ 64-030 +-----+		BOX, GLOVE			
NA75-64-030C	1				-4901
00	INT-	NA3 BLACK			
88	INT-	NA4 NA5 TAN			
NA75-64-030D	1				4901-4A01
00	INT-	NA3 BLACK			
88	INT-	NA4 NA5 TAN			
NA75-64-030F	1				4A01-
00	INT-	NA3 NA7 NA8 BLACK			
88	INT-	NA4 NA5 TAN			
+-----+ 64-040 +-----+		LID, GLOVE BOX-OUTER			
NA75-64-041C	1				
00	INT-	NA3 NA7 NA8 BLACK			
88	INT-	NA4 NA5 TAN			
+-----+ 64-071B +-----+		HINGE(R), GLOVE LID			
NA75-64-03XA	2				
+-----+ 64-092A +-----+		LOCK, GLOVE LID			
BC5E-64-090B	1				4A01-
00	INT-	NA3 NA7 NA8 BLACK			
67	INT-	NA4 NA5 TAN			
+-----+ 64-101 +-----+		STRIKER			
BC1D-64-101	1				
+-----+ 64-161 +-----+		BOX, GLOVE			
NA75-64-161C	1				

4901 NA35\* -602618  
 4922 NA35\* -603332  
 4A01 NA35\* -603621

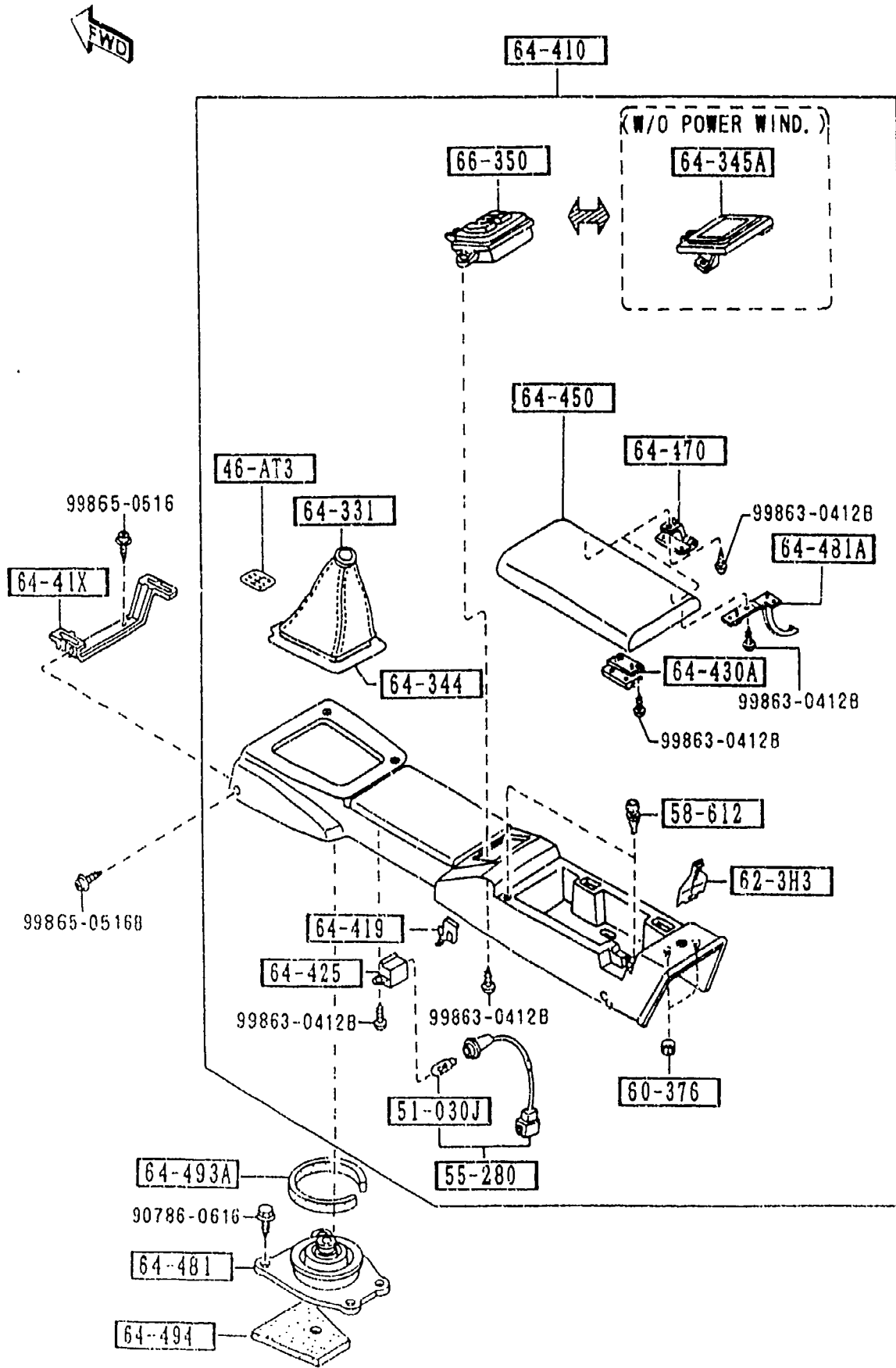


PART NO.	QTY	MODEL/RESTRICTION	MODEL/RESTRICTION	MODEL/RESTRICTION	FROM TO
CONT'D 00	INT-	NA3 NA4 NA5 NA6 NA7 NA8 BLACK			
+-----+   64-905B   +-----+		COVER,HOLE-(C)			
NA01-64-905	1				
00	INT-	NA3 NA5 NA4 NA7 NA8 BLACK			
+-----+   64-912   +-----+		COVER,SIDE			
NA01-64-912	6				
00	INT-	NA3 NA7 BLACK			
88	INT-	NA4 NA5 TAN			
+-----+   64-999A   +-----+		SCREW,TAPPING			
W201-64-999	33				
+-----+   68-AA5   +-----+		FASTENER,DOOR TRIM			
W201-68-AA5A	4				
00	INT-	NA3 NA4 NA5 NA6 NA7 NA8 BLACK			

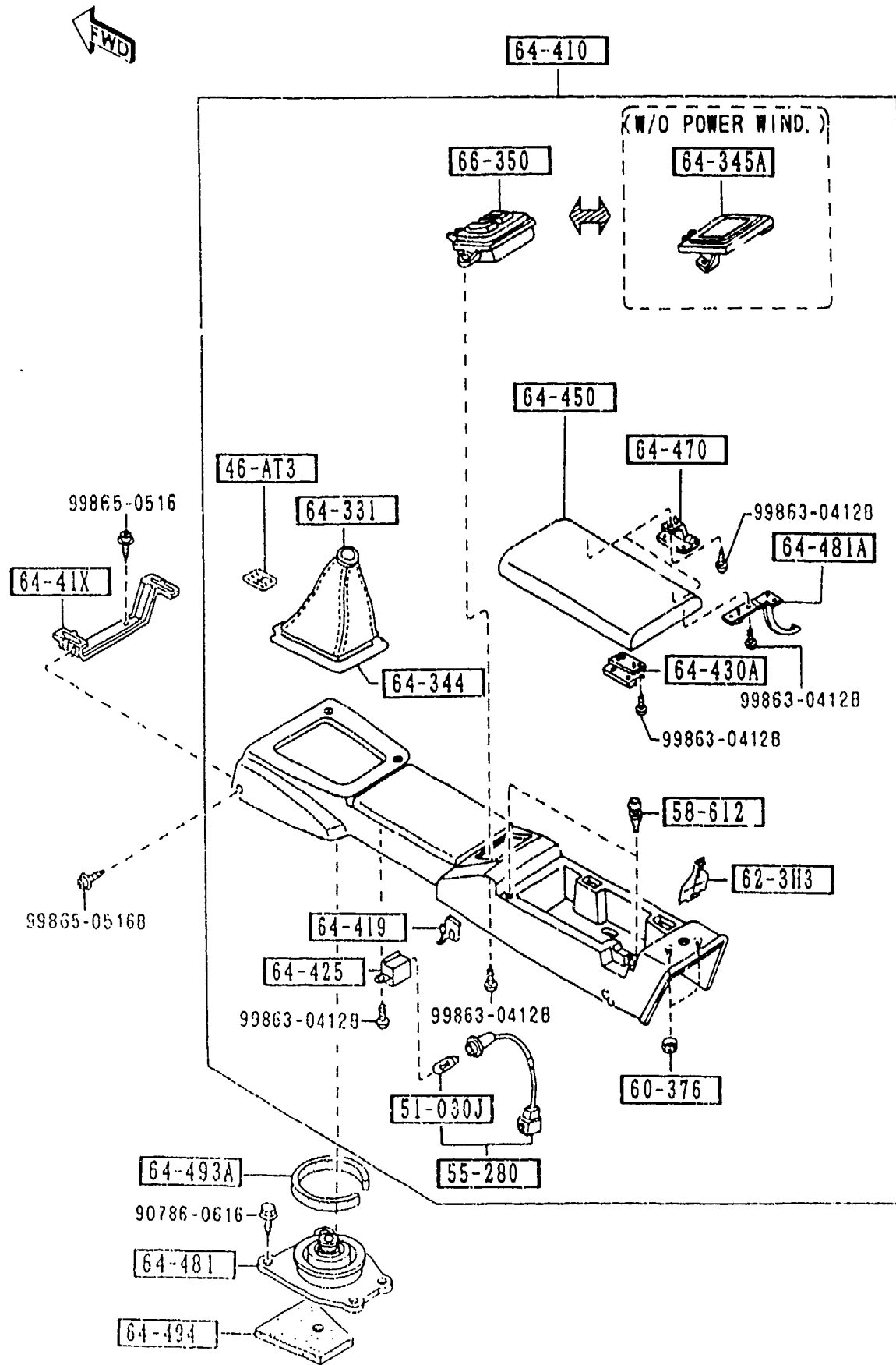




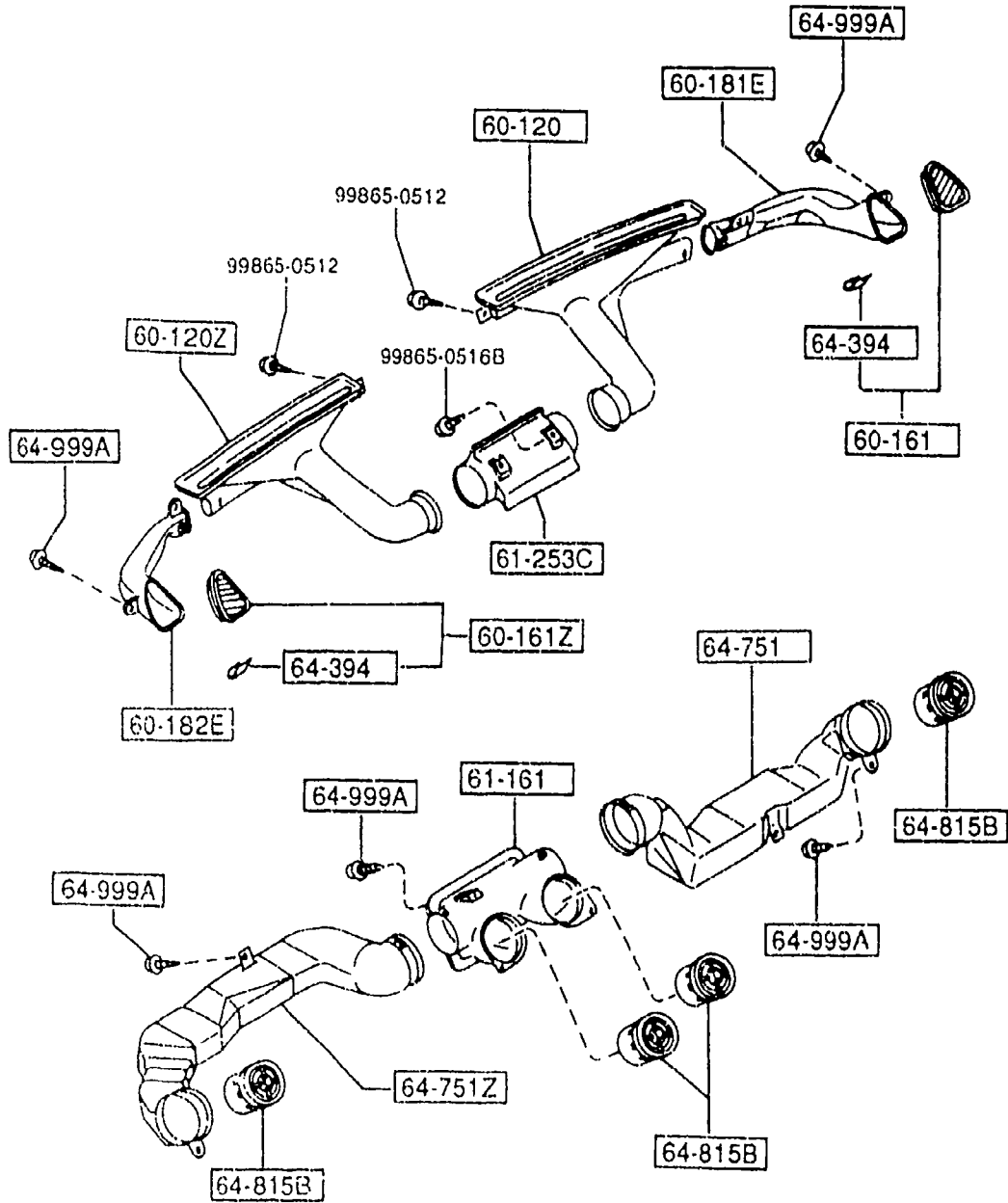
PART NO	QTY	MODEL/RESTRICTION	MODEL/RESTRICTION	MODEL/RESTRICTION	FROM TO
46-AT3		LABEL, CHANGE			
NU02-46-AT3	1	(WOOD) (MT)			
51-030J		BULB			
3625-75-139	1	12V 1.4W			
55-280		BULB & SOCKET			
NA01-55-280	1	(MT)			
NA06-55-280	1	(URETHANE) (AT)			
58-612		CUSHION, RUBBER			
B092-64-046	2				
60-376		NUT, TOP-CRASH PAD			
R092-60-376	2				
62-3H3		COVER, LEVER-OPENER			
NA01-64-424	1				
64-331		BOOT, CHANGE			
NA01-64-331	1	(MT)			
00	INT-	NA3 NA4 NA5 NA6 NA7 NA8 BLACK			
64-344		PLATE, BACK-BOOTS RING			
NA01-64-344B	1	(MT)			
64-345A		BOX, COIN-CONSOLE			
NA01-64-437	1	BASE, R-PKG, PKG-A, (W/O POWER WIND.)			
JU	INT-	NA3 NA4 NA5 NA6 NA7 NA8 BLACK			
64-41X		BRACKET, REAR CONSOLE			
NA01-64-416	1				
64-410		CONSOLE, REAR			
NA01-64-410D	1	BASE, R-PKG, PKG-A, (W/O POWER WIND, W/O CHANGE LABEL) (MT)			



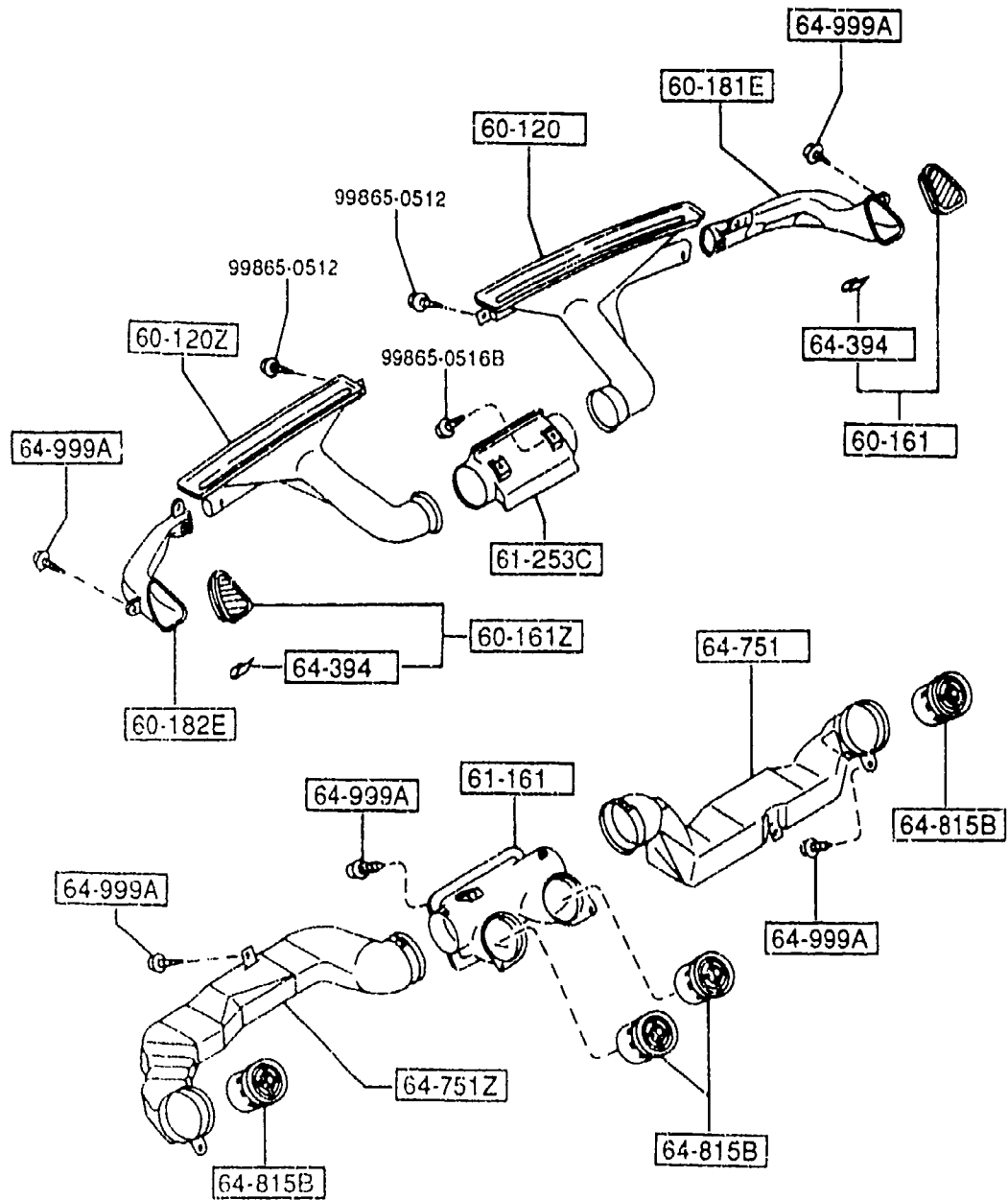
PART NO.	QTY	MODFL./RESTRICTION	MODEL/RESTRICTION	MODEL/RESTRICTION	FROM-TO
CONT'D					
00	INT-	NA3 NA4 NA5 NA6 NA7 NA8 BLACK			
NA02-64-410D	1	P.E.GR, L-PKG, PKG-B (W/POWER WIND,W/O CH ANGE LABEL) (MT)			
00	INT-	NA3 NA4 NA5 NA6 NA7 NA8 BLACK			
NA03-64-410C	1	BASE, R-PKG, PKG-A, (W/O POWER WIND.) (AT)			
00	INT-	NA3 NA4 NA5 NA6 NA7 NA8 BLACK			
NA06-64-410D	1	M-25-ED, P.E.GR, L-P KG, PKG-B, PKG-C, (W/POWER WIND.) (AT)			
00	INT-	NA3 NA4 NA5 NA6 NA7 NA8 BLACK			
NA07-64-410B	1	(W/O POWER WIND,W/CH ANGE LABEL) (MT)			
00	INT-	NA3 NA4 NA5 NA6 NA7 NA8 BLACK			
NA08-64-410B	1	OPT, (W/POWER WIND,W/CHAN GE LABEL) (MT)			
00	INT-	NA3 NA4 NA5 NA6 NA7 NA8 BLACK			
H260-64-419	1	CLIP,HARNESS-HAND BR AKE			
NA01-64-414	1	CASE,LAMP			
FB01-64-430	1	LOCK,CONSOLE-REAR			
NA01-64-450A	1	LID,CONSOLE			
00	INT-	NA3 NA4 NA5 NA6 NA7 NA8 BLACK			






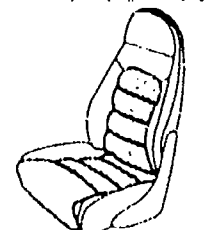
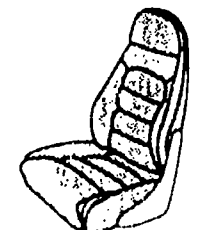
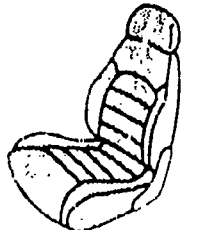
FART NO.	QTY	MODEL/RESTRICTION	MODEL/RESTRICTION	MODEL/RESTRICTION	FROM-TO
64-470		HINGE			
NA01-64-45XA	2				
00	INT-	NA3 NA4 NA5 NA6 NA7 NA8 BLACK			
64-481		INSULATOR NO.1,CHAN GE			
NA01-64-481B	1	(MT)			
64-481A		STOPPER, CONSOLE LID			
NA01-64-452	1				
00	INT-	NA3 NA4 NA5 NA6 NA7 NA8 BLACK			
64-493A		PACK, SILENT			
H001-64-493	1	(MT)			
64-494		PAD, CHANGE BOOT			
FB01-64-495	1	(MT)			
66-350		SWITCH, POWER WINDOW			
NA01-66-350A	1	M-25-ED, P.E.GR, L-P KG, PKG-B, PKG-C, (W/POWER WIND.) (MT)			
00	INT-	NA3 NA4 NA5 NA6 NA7 NA8 BLACK			
NA03-66-350	1	M-25-ED, P.E.GR, L-P KG, PKG-B, PKG-C, (W/POWER WIND.) (AT)			
00	INT-	NA3 NA4 NA5 NA6 NA7 NA8 BLACK			




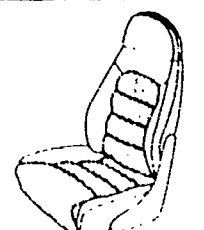
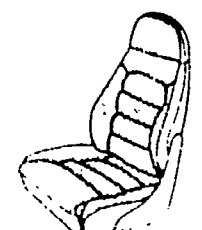
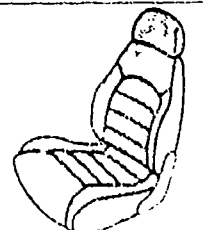


PART NO.	QTY	MODEL/RESTRICTION	MODEL/RESTRICTION	MODEL/RESTRICTION	FROM-TO
60-120		NOZZLE(R),DEFROSTER			
NA75-60-121B	1				
60-120Z		NOZZLE(L),DEFROSTER			
NA01-60-141	1				
60-161		GRILLE(R),DEMISTER			
NA75-60-160A	1				
00	INT-	NA3 NA5 NA4 NA7 NA8 BLACK			
60-161Z		GRILLE(L),DEMISTER			
NA75-60-170A	1				
00	INT-	NA3 NA5 NA4 NA7 NA8 BLACK			
60-181E		DUCT(R),SIDE DEMI.			
NA75-60-183	1				
60-182E		DUCT(L),SIDE DEMI.			
NA75-60-193	1				
61-161		DUCT,CENTER			
NA75-61-161A	1				
61-253C		HOSE(C),DEFROSTER			
NA01-61-253	1				
64-394		SPRING			
GA2A-64-394	2				
64-751		DUCT(R)			
NA75-64-741	1				
64-751Z		DUCT(L)			
NA75-64-841	1				
64-815B		LOUVER,VENTILATOR			
N001-64-81X	4				
00	INT-	NA3 NA4 NA5 NA6 NA7 NA8 BLACK			



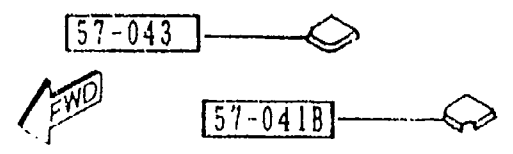
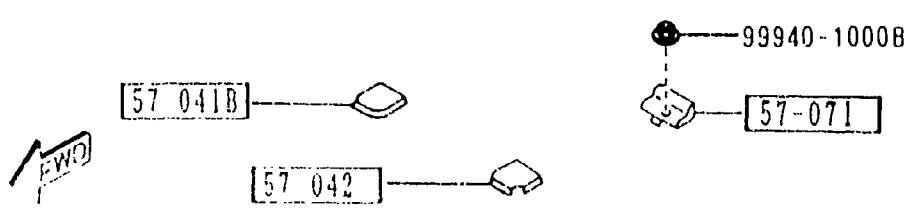
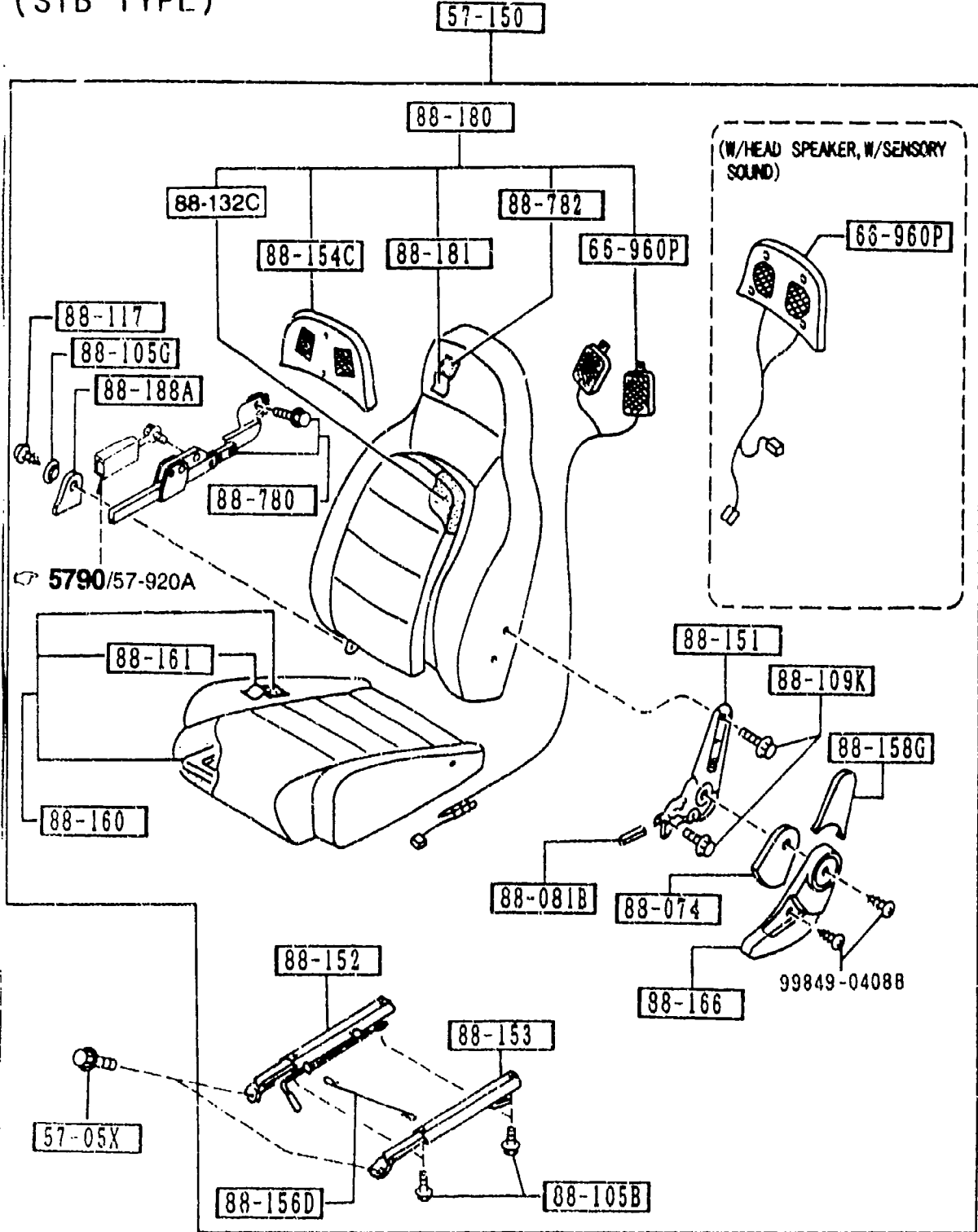
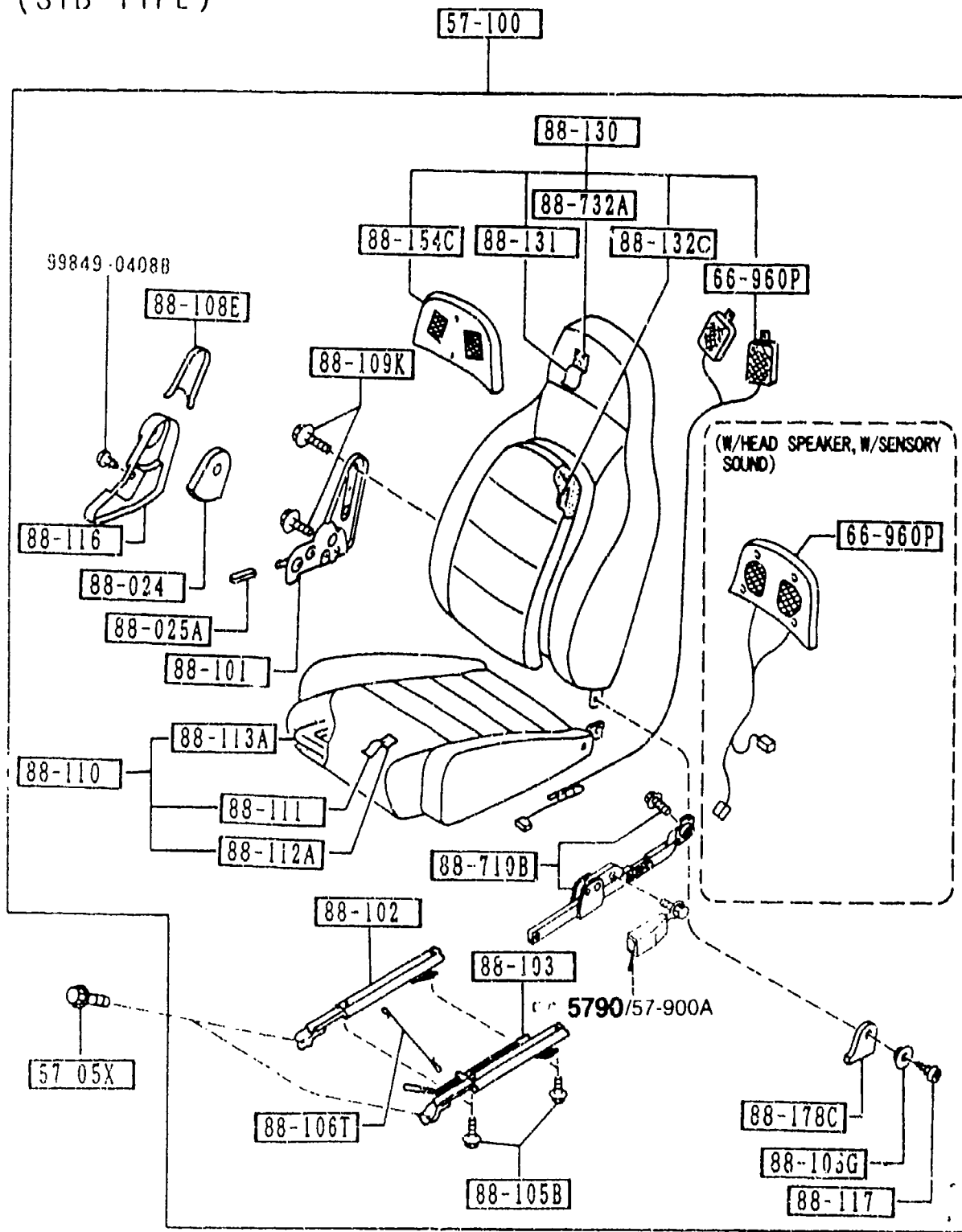
PART NO.	QTY	MODEL/RESTRICTION	MODEL/RESTRICTION	MODEL/RESTRICTION	FROM-TO
+-----+   64-999A   +-----+ W201-64-999	10	SCREW, TAPPING			

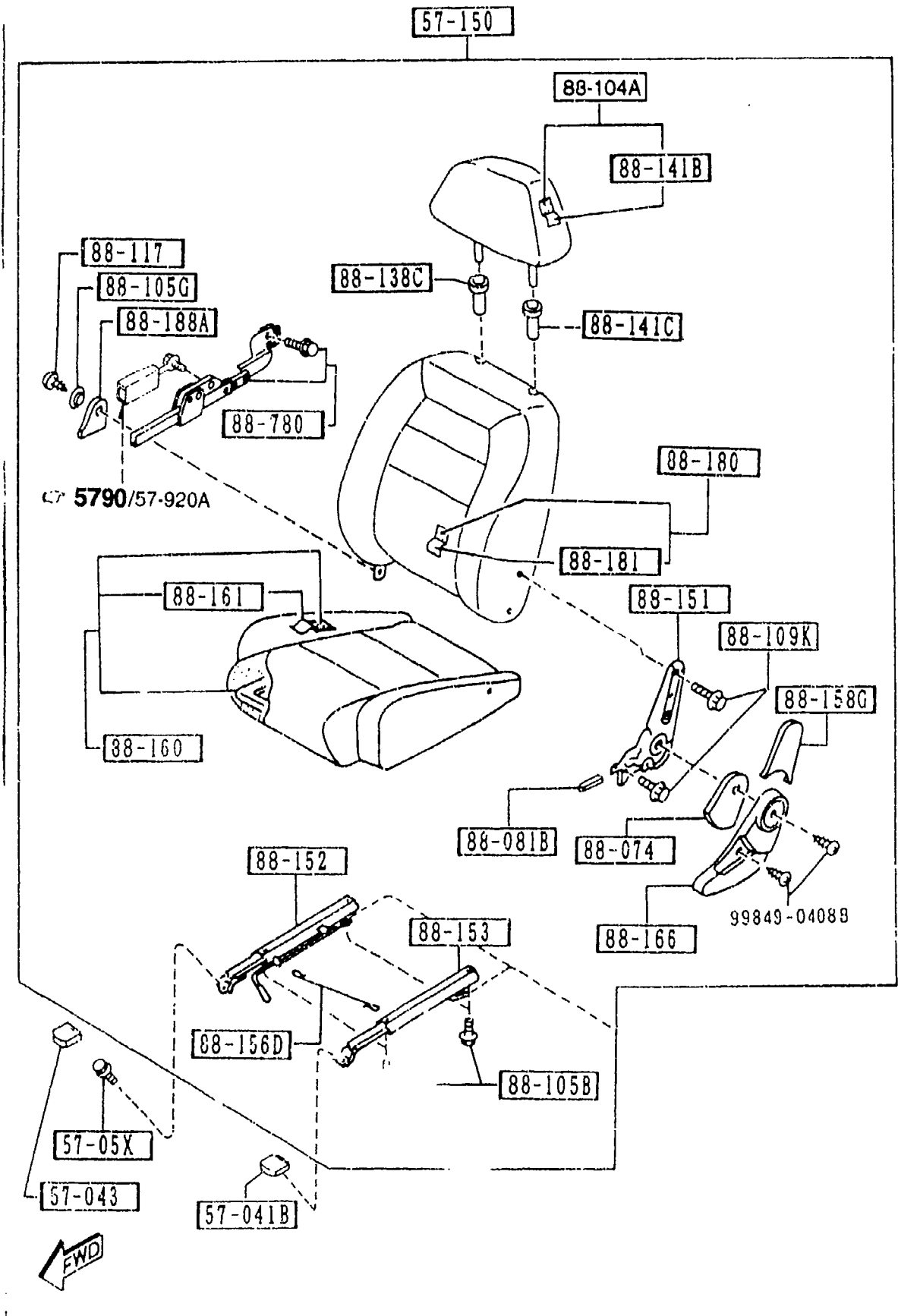
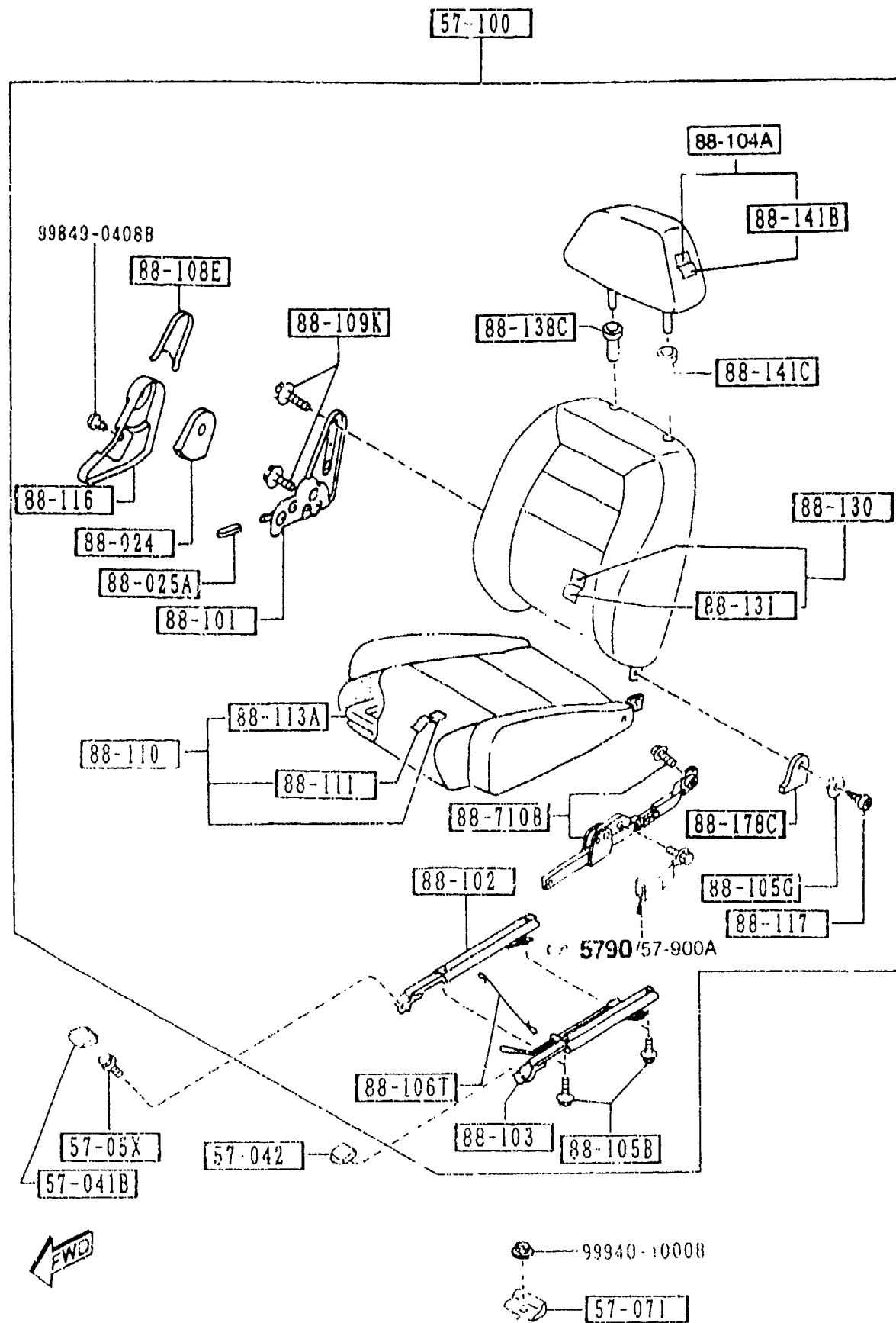
' 95 MODEL			
SEAT TYPES	STA	STB	STC
GRADE	BASE, P. E. GR.	L-PKG, L-PKG-OPT.	M-25-ED
SPECIFICATIONS	R-PKG, PKG-A, PKG-B	PKG-C, PKG-C-OPT.	
SEAT TRIM	CLOTH	LEATHER	LEATHER
			
			

' 96 MODEL			
SEAT TYPES	STA	STB	STC
GRADE	P. E. GR, P. E. GR-OPT.	L-PKG, L-PKG-OPT.	
SPECIFICATIONS	PKG-A, PKG-B	PKG-C, PKG-OPT.	
SEAT TRIM	CLOTH	LEATHER	LEATHER
			
			

(STA TYPE)  
(STB TYPE)

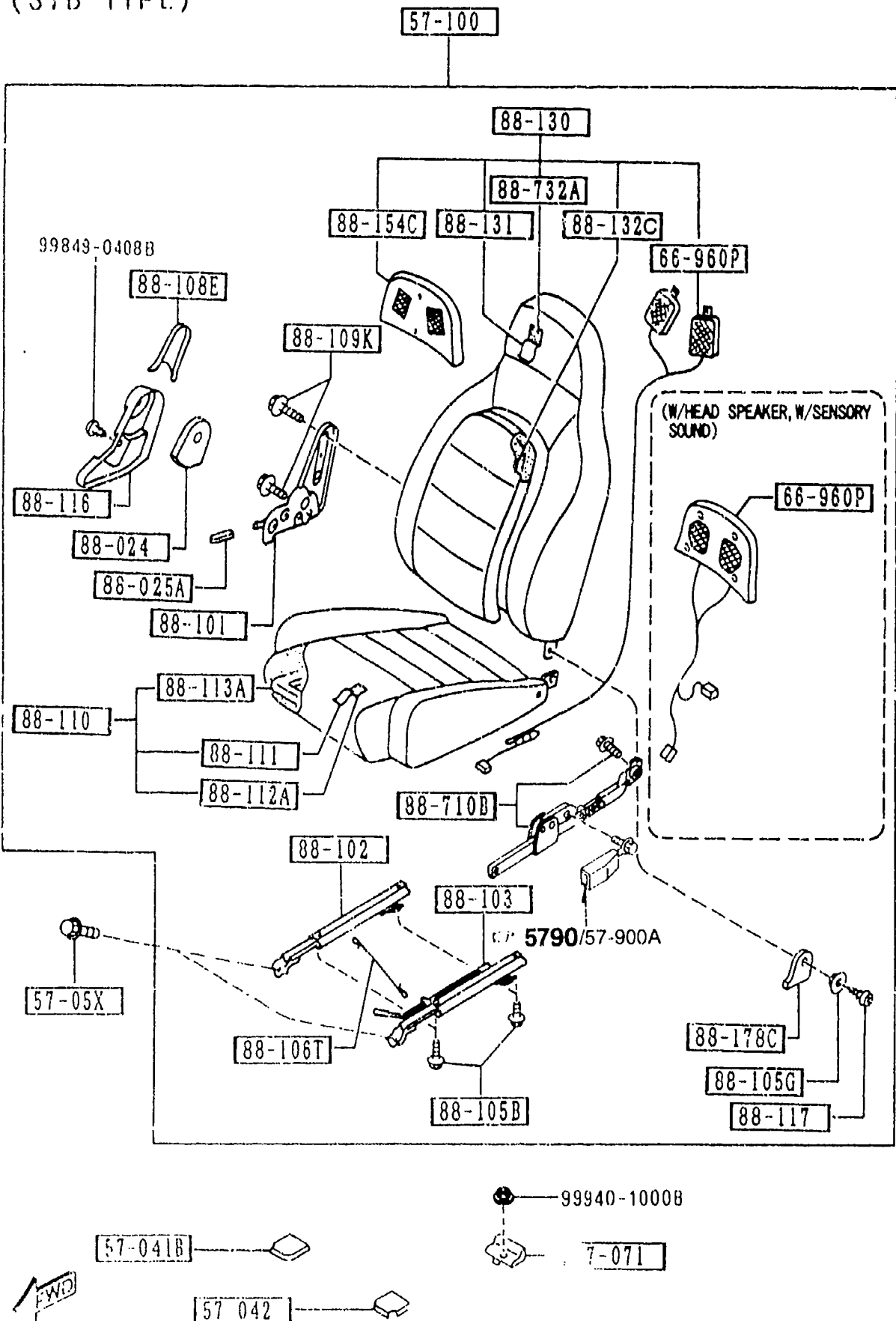
(STA TYPE)  
(STB TYPE)







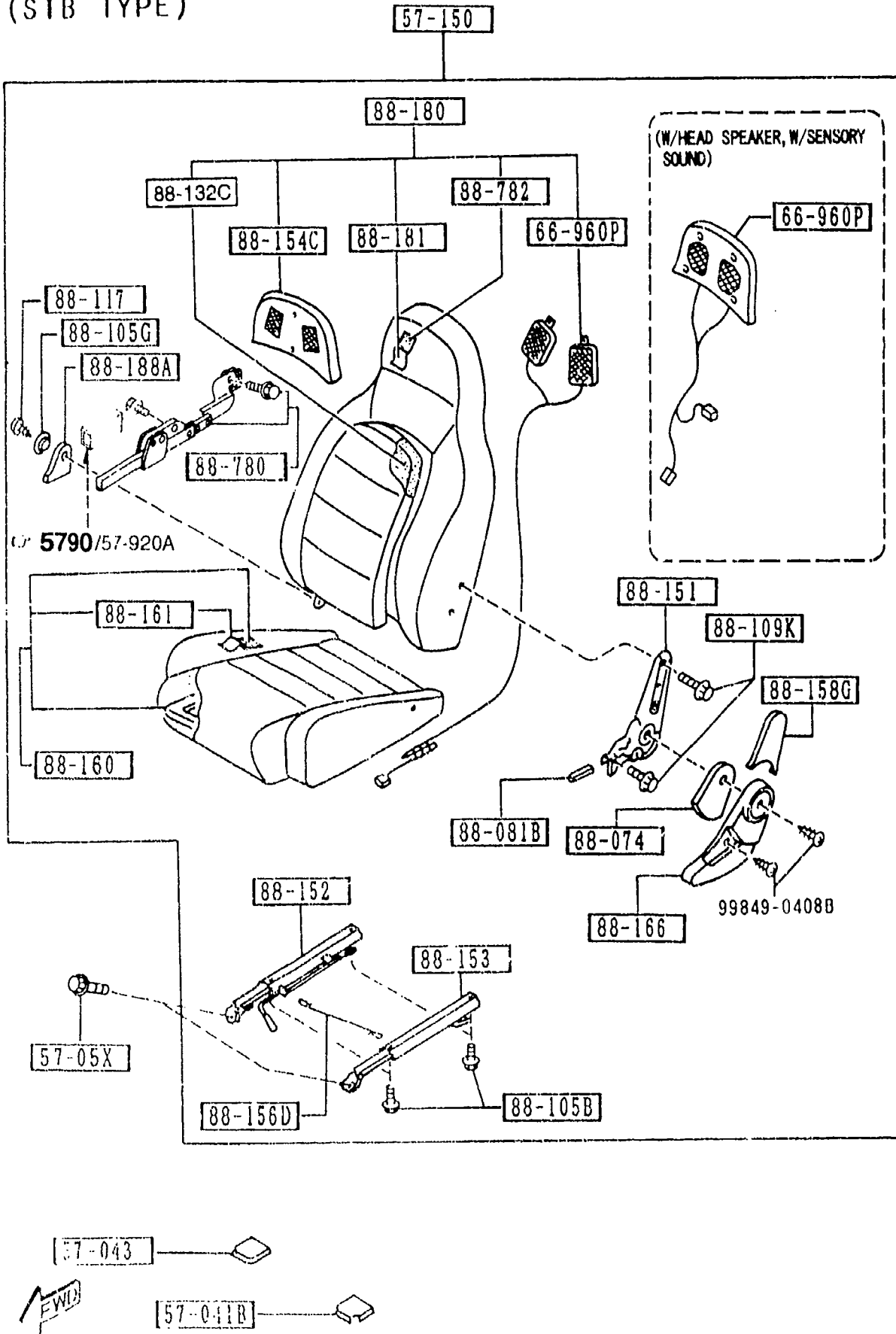
(STA TYPE)  
(STB TYPE)



PART NO.	QTY	MODEL/RESTRICTION	MODEL/RESTRICTION	MODEL/RESTRICTION	FROM-TO
57-041B		COVER NO.1,ADJ-FRT			
J001-57-041	2	L-PKG, PKG-C, M-25-E D, (STB TYPE,W/HEAD SPEAKER) (STC TYPE,W/O HEAD SPEAKER) ( '95 MODEL)			
57-042		COVER NO.2,ADJ-FRT			
N005-57-042	1	L-PKG, PKG-C, M-25-E D, (STB TYPE,W/HEAD SPEAKER) (STC TYPE,W/O HEAD SPEAKER) ( '95 MODEL)			-4801
57-043		COVER NO.3,ADJ-FRT			
N005-57-043	1	L-PKG, PKG-C, M-25-E D, (STB TYPE,W/HEAD SPEAKER) (STC TYPE,W/O HEAD SPEAKER) ( '95 MODEL)			-4801
57-05X		BOLT, LINK			
B455-57-05XA A (B455-57-05XB)	8				-6401
*B455-57-05XB	8				6401 -
57-071		BRACKET,SEAT LOCK-RR			
NA75-57-071	1				
57-100		SEAT(R),FRONT			
NBY1-57-100	1	P.E.GR, (STA TYPE,W/HEAD SPEAKER,W/O SENSORY SOUND) (ML-'96 MODEL)			
57-100		SEAT(R),FRONT			
NBY2-57-100	1	P.E.GR-OPT, (STA TYPE,W/HEAD SPEAKER, W/SENSORY SOUND)			
57-100		SEAT(R),FRONT			
NBY2-57-100	1	P.E.GR-OPT, (STA TYPE,W/HEAD SPEAKER, W/SENSORY SOUND)			

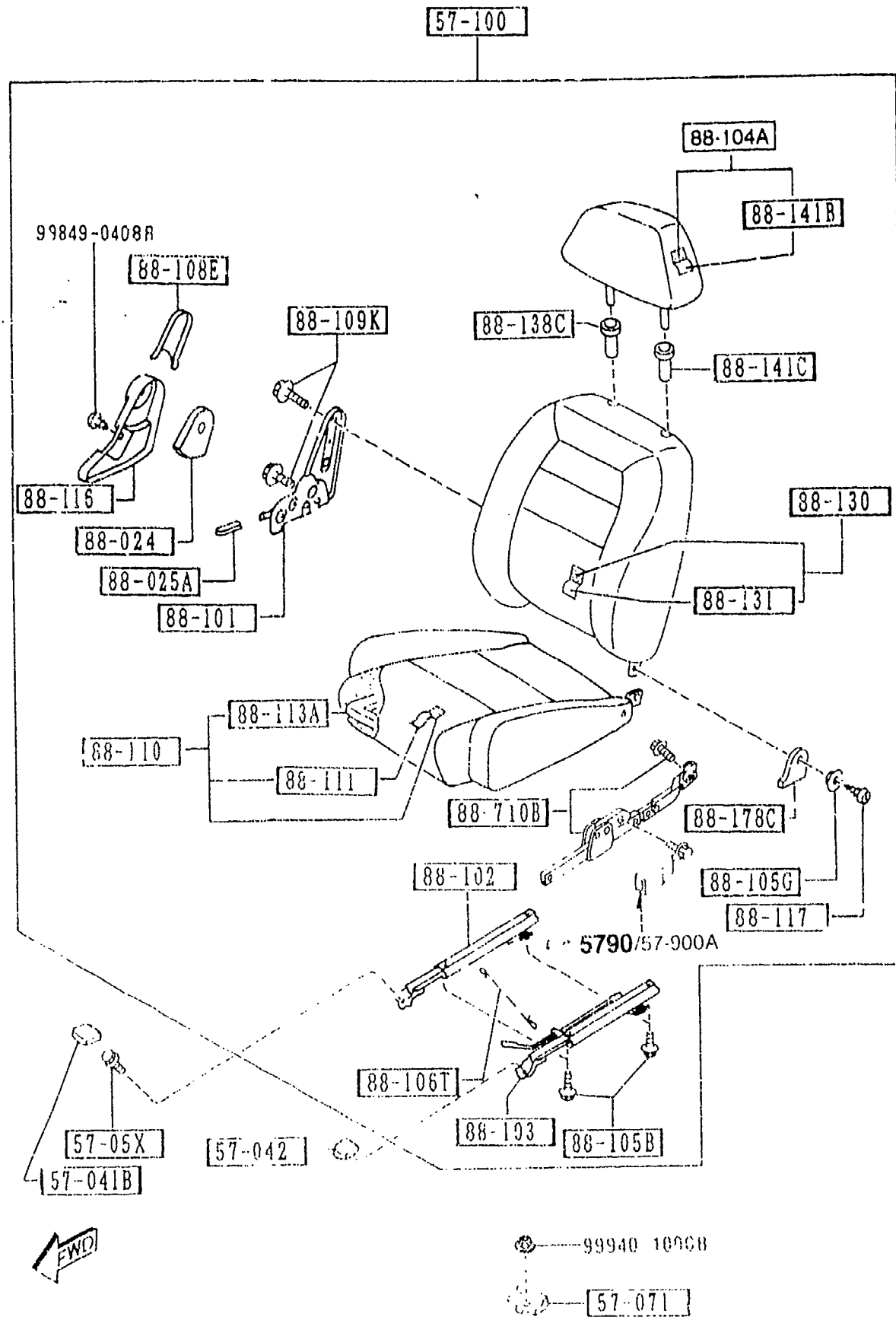
4801 NA35\* -606043  
6401 NA3\*\* -717787

(STA TYPE)  
(STB TYPE)



PART NO.	QTY	MODEL/RESTRICTION	MODEL/RESTRICTION	MODEL/RESTRICTION	FROM-TO
CONT'D					
		D) (ML-'96 MODEL)			
00	INT-	NA3 BLACK			
NBY3-57-100	1	L-PKG, (STB TYPE, W/HEAD SPEAKER, W/O SENSORY SOUND) (ML-'96 MODEL)			
88	INT-	NA5 TAN			
NBY4-57-100	1	L-PKG-OPT, (STB TYPE, W/HEAD SPEAKER, W/SENSORY SOUND) (ML-'96 MODEL)			
88	INT-	NA5 TAN			
NB40-57-100	1	(STA TYPE, W/O HEAD SPEAKER, W/O SENSORY SOUND) (GUAM-'96 MODEL) (SAIPAN-'96 MODEL)			
00	INT-	NA3 BLACK			
NB41-57-100	1	PKG-A, PKG-B, (STA TYPE, W/HEAD SPEAKER, W/O SENSORY SOUND) (GUAM-'96 MODEL) (SAIPAN-'96 MODEL)			
00	INT-	NA3 BLACK			
NB42-57-100	1	PKG-A-OPT, PKG-B-OPT, (STA TYPE, W/HEAD SPEAKER, W/SENSORY SOUND) (GUAM-'96 MODEL) (SAIPAN-'96 MODEL)			
00	INT-	NA3 BLACK			
NB43-57-100	1	PKG-C, (STB TYPE, W/HEAD SPEAKER, W/O SENSORY SOUND) (GUAM-'96 MODEL) (SAIPAN-'96 MODEL)			
88	INT-	NA4 NA5 TAN			
NB44-57-100	1	PKG-C-OPT, (STB TYPE, W/HEAD SPEAKER, W/SENSORY SOUND) (GUAM-'96 MODEL) (SAIPAN-'96 MODEL)			
88	INT-	NA4 NA5 TAN			
NA75-57-100C	1	BASE, R-PKG, (STA TYPE, W/O HEAD S			-4901

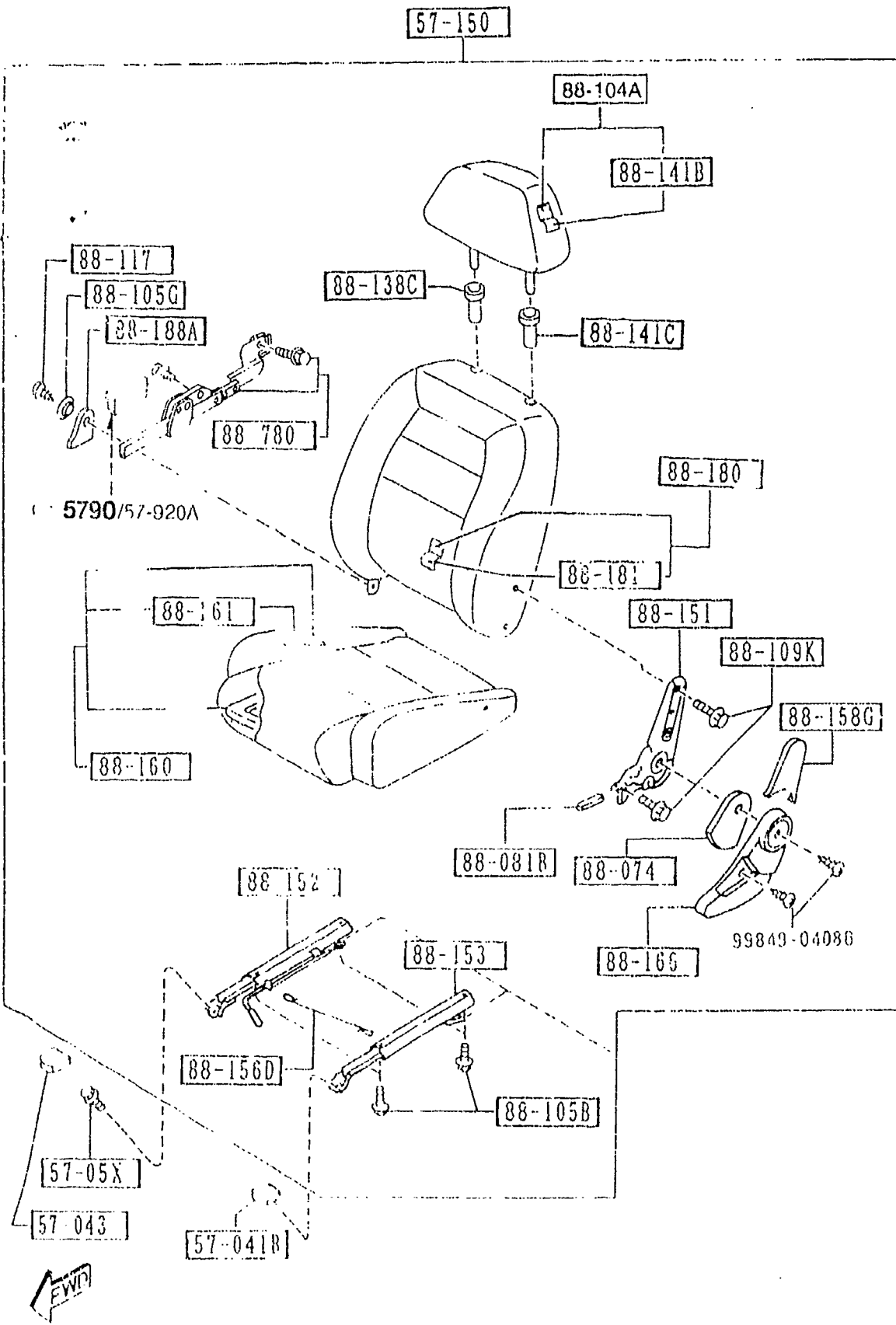
4901 NA35\* -602618



PART NO.	QTY	MODEL/RESTRICTION	MODEL/RESTRICTION	MODEL/RESTRICTION	FROM-TO
CONT'D					
00	INT-	NA3 BLACK PEAKER) (195 MODEL)			
NA79-57-100C	1	P.E.GR, PKG-A, PKG-B (STA TYPE, W/HEAD SPEAKER, W/O SENSORY SOUND) (195 MODEL)			-4901
00	INT-	NA3 BLACK OPT, (STA TYPE, W/HEAD SPEAKER, W/SENSORY SOUND) (195 MODEL)			-4901
NA80-57-100C	1				
00	INT-	NA3 BLACK L-PKG, PKG-C, (STB TYPE, W/HEAD SPEAKER, W/O SENSORY SOUND) (195 MODEL)			-4801
NA81-57-100D	1				
88	INT-	NA4 NA5 TAN L-PKG-OPT, PKG-C-OPT (STB TYPE, W/HEAD SPEAKER, W/SENSORY SOUND) (195 MODEL)			-4801
NA82-57-100D	1				
88	INT-	NA4 NA5 TAN M-25-ED, (STC TYPE, W/O HEAD SPEAKER) (195 MODEL)			-4801
NB11-57-100	1				
88	INT-	NA5 TAN BASE, R-PKG, (STA TYPE, W/O HEAD SPEAKER) (195 MODEL)			4901-4801
NA75-57-100D	1				
00	INT-	NA3 BLACK P.E.GR, PKG-A, PKG-B (STA TYPE, W/HEAD SPEAKER, W/O SENSORY SOUND) (195 MODEL)			4901-4801
NA79-57-100D	1				
00	INT-	NA3 BLACK OPT, (STA TYPE, W/HEAD SPEAKER, W/SENSORY SOUND) (195 MODEL)			4901-4801
NA80-57-100D	1				

4901 NA35\* -602618  
4801 NA35\* -606043

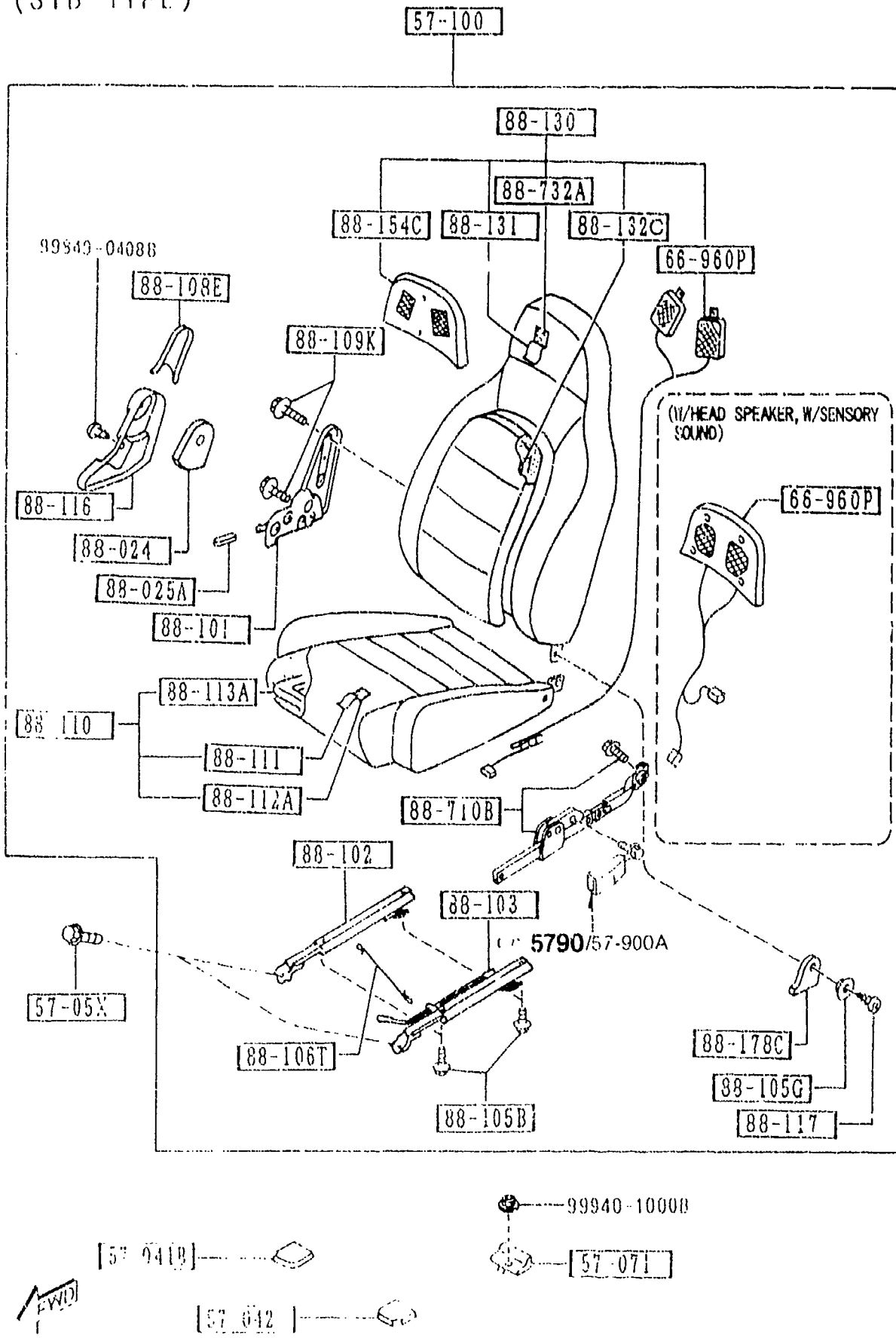
(SIC TYPE)



PART NO.	QTY	MODEL/RESTRICTION	MODEL/RESTRICTION	MODEL/RESTRICTION	FROM-TO
CONT'D					
00	INT-	NA3 BLACK			
NA75-57-100E	1	BASE, R-PKG, (STA TYPE,W/O HEAD S PEAKER) ( '95 MODEL)			4B01-
00	INT-	NA3 BLACK			
NA79-57-100E	1	P.E.GR, PKG-A, PKG-B (STA TYPE,W/HEAD SPE AKER, W/O SENSORY SO UND) ( '95 MODEL)			4B01-
00	INT-	NA3 BLACK			
NA80-57-100E	1	OPT, (STA TYPE,W/HEAD SPE AKER, W/SENSORY SOUN D) ( '95 MODEL)			4B01-
00	INT-	NA3 BLACK			
ND11-57-100B	1	M-25-ED, (STC TYPE,W/O HEAD S PEAKER) ( '95 MODEL)			4B01-
88	INT-	NA5 TAN			
NA81-57-100E	1	L-PKG, PKG-C, (STB TYPE,W/HEAD SPE AKER, W/O SENSORY SO UND) ( '95 MODEL)			4B01-5508
88	INT-	NA4 NA5 TAN			
NA82-57-100E	1	L-PKG-OPT, PKG-C-OPT (STB TYPE,W/HEAD SPE AKER, W/SENSORY SOUN D) ( '95 MODEL)			4B01-5508
88	INT-	NA4 NA5 TAN			
NA81-57-100F	1	L-PKG, PKG-C, (STB TYPE,W/HEAD SPE AKER, W/O SENSORY SO UND) ( '95 MODEL)			5508-
88	INT-	NA4 NA5 TAN			
NA82-57-100F	1	L-PKG-OPT, PKG-C-OPT (STB TYPE,W/HEAD SPE AKER, W/SENSORY SOUN D) ( '95 MODEL)			5508-
88	INT-	NA4 NA5 TAN			
NB47-57-100	1	M.EDI,			5B15-
		4B01 NA35* -606043			
		5508 NA35* -620210			
		5B15 NA3** -705265			

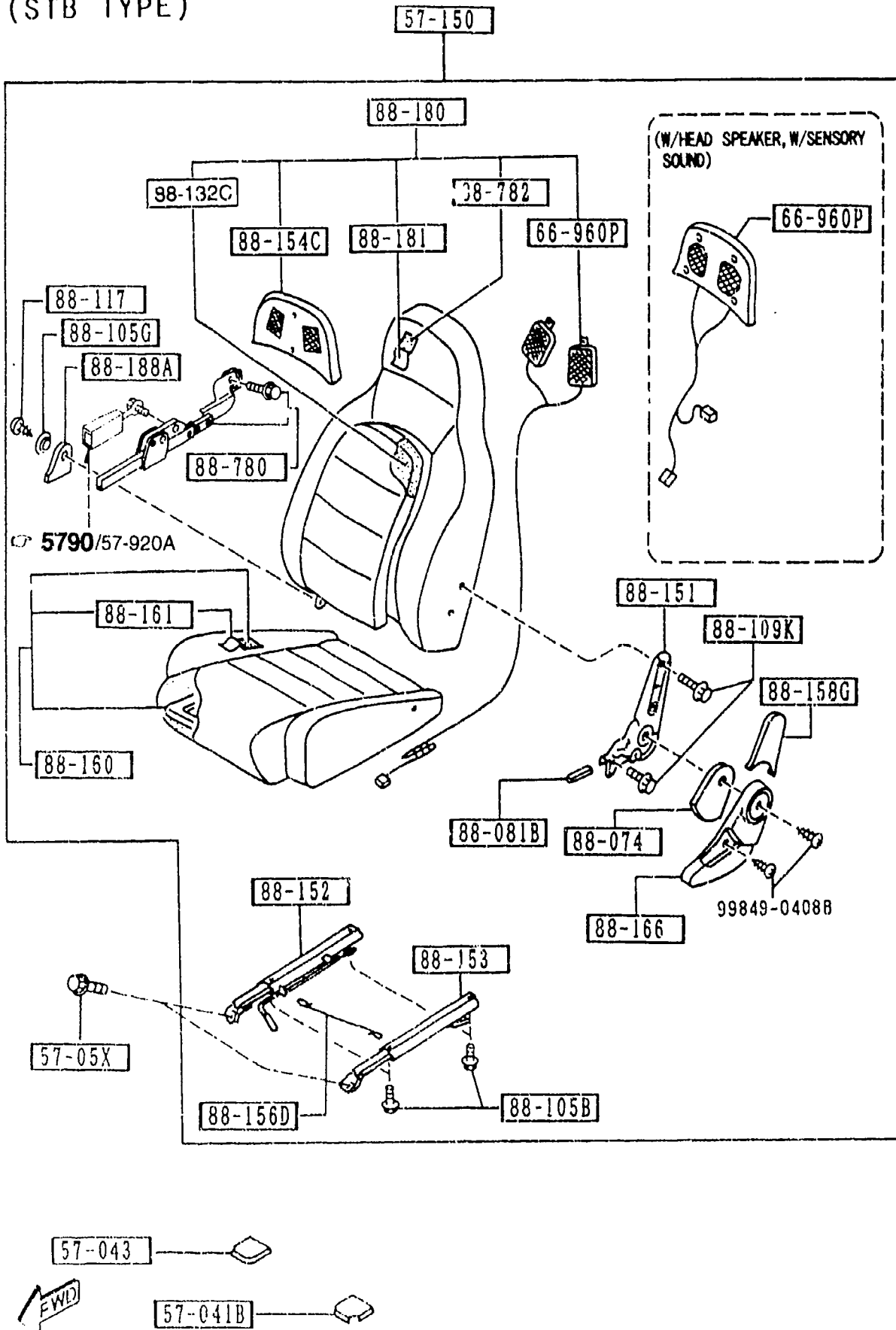
2-M10

(STA TYPE)  
(STB TYPE)



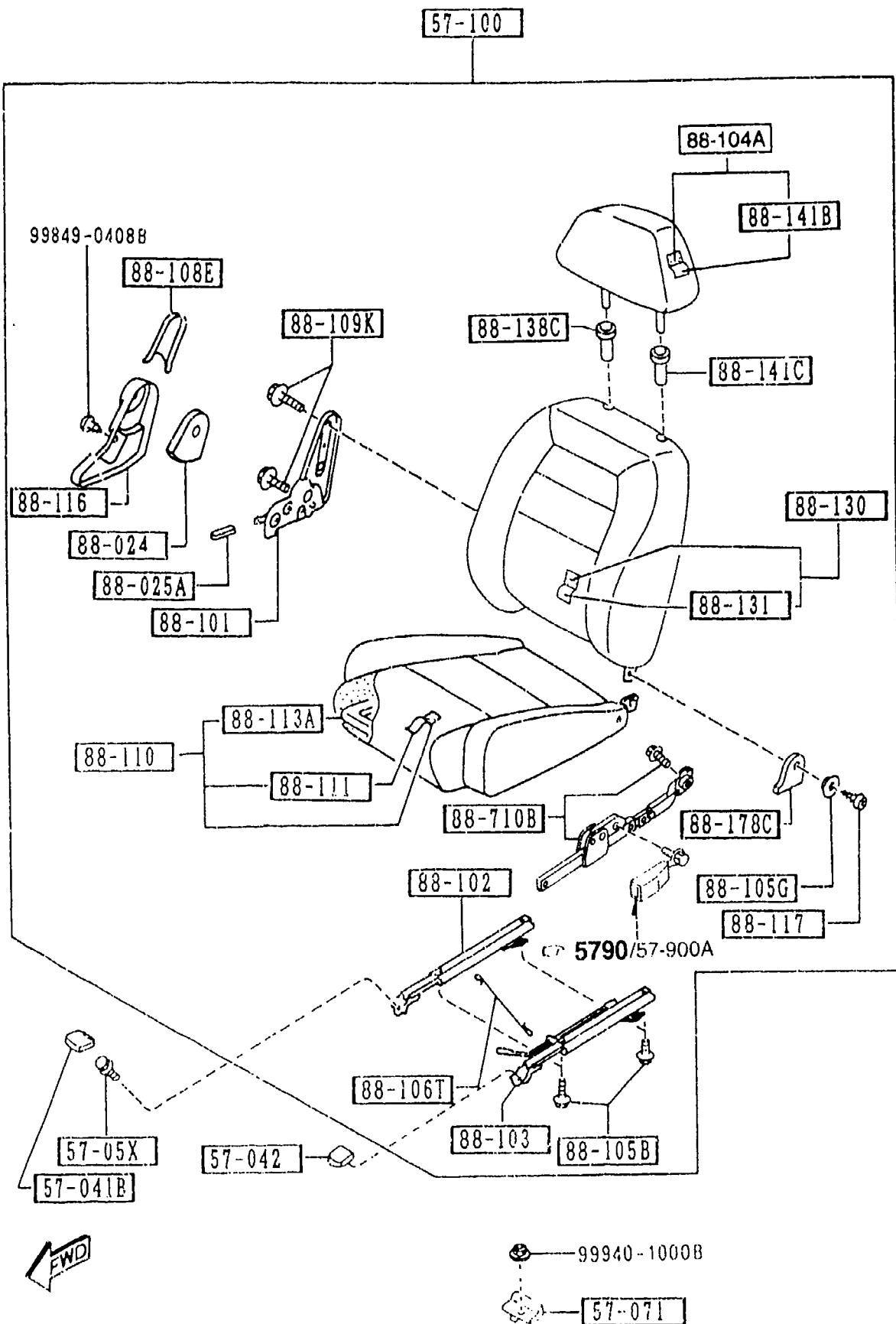
PART NO.	QTY	MODEL/RESTRICTION	MODEL/RESTRICTION	MODEL/RESTRICTION	FROM-TO
CONT'D		(STC TYPE) (196 MODEL)			
88	INT-	NA5 TAN			
57-150		SEAT(L), FRONT			
NBY1-57-150	1	P.E.GR, (STA TYPE, W/HEAD SPEAKER, W/O SENSORY SOUND) (ML-'96 MODEL)			
00	INT-	NA3 BLACK			
NBY2-57-150	1	P.E.GR-OPT, (STA TYPE, W/HEAD SPEAKER, W/SENSORY SOUND) (ML-'96 MODEL)			
00	INT-	NA3 BLACK			
NBY3-57-150	1	L-PKG, (STB TYPE, W/HEAD SPEAKER, W/O SENSORY SOUND) (ML-'96 MODEL)			
88	INT-	NA5 TAN			
NBY4-57-150	1	L-PKG-OPT, (STB TYPE, W/HEAD SPEAKER, W/SENSORY SOUND) (ML-'96 MODEL)			
88	INT-	NA5 TAN			
NB40-57-150	1	(STA TYPE, W/O HEAD SPEAKER, W/O SENSORY SOUND) (GUAM-'96 MODEL) (SAIPAN-'96 MODEL)			
00	INT-	NA3 BLACK			
NB41-57-150	1	PKG-A, PKG-B, (STA TYPE, W/HEAD SPEAKER, W/O SENSORY SOUND) (GUAM-'96 MODEL) (SAIPAN-'96 MODEL)			
00	INT-	NA3 BLACK			
NB42-57-150	1	PKG-A-OPT, PKG-B-OPT (STA TYPE, W/HEAD SPEAKER, W/SENSORY SOUND) (GUAM-'96 MODEL) (SAIPAN-'96 MODEL)			
00	INT-	NA3 BLACK			
NB43-57-150	1	PKG-C,			

(STA TYPE)  
(STB TYPE)



PART NO.	QTY	MODEL/RESTRICTION	MODEL/RESTRICTION	MODEL/RESTRICTION	FROM-TO
CONT'D					
		(STB TYPE, W/HEAD SPEAKER, W/O SENSORY SOUND) (GUAM-'96 MODEL) (SAIPAN-'96 MODEL)			
88	INT-	NA4 NA5 TAN			
NB44-57-150	1	PKG-C-OPT, (STB TYPE, W/HEAD SPEAKER, W/SENSORY SOUND) (GUAM-'96 MODEL) (SAIPAN-'96 MODEL)			
88	INT-	NA4 NA5 TAN			
NA75-57-150C	1	BASE, R-PKG, (STA TYPE, W/O HEAD SPEAKER) (195 MODEL)			-4901
00	INT-	NA3 BLACK			
NA79-57-150C	1	P.E.GR, PKG-A, PKG-B (STA TYPE, W/HEAD SPEAKER, W/O SENSORY SOUND) (195 MODEL)			-4901
00	INT-	NA3 BLACK			
NA80-57-150C	1	OPT, (STA TYPE, W/HEAD SPEAKER, W/SENSORY SOUND) (195 MODEL)			-4901
00	INT-	NA3 BLACK			
NAB1-57-150D	1	L-PKG, PKG-C, (STB TYPE, W/HEAD SPEAKER, W/O SENSORY SOUND) (195 MODEL)			-4B01
88	INT-	NA4 NA5 TAN			
NAB2-57-150D	1	L-PKG-OPT, PKG-C-OPT (STB TYPE, W/HEAD SPEAKER, W/SENSORY SOUND) (195 MODEL)			-4B01
88	INT-	NA4 NA5 TAN			
NB11-57-150	1	M-25-ED, (STC TYPE, W/O HEAD SPEAKER) (195 MODEL)			-4B01
88	INT-	NA5 TAN			
NA75-57-150D	1	BASE, R-PKG, (STA TYPE, W/O HEAD SPEAKER)			4901-4B01

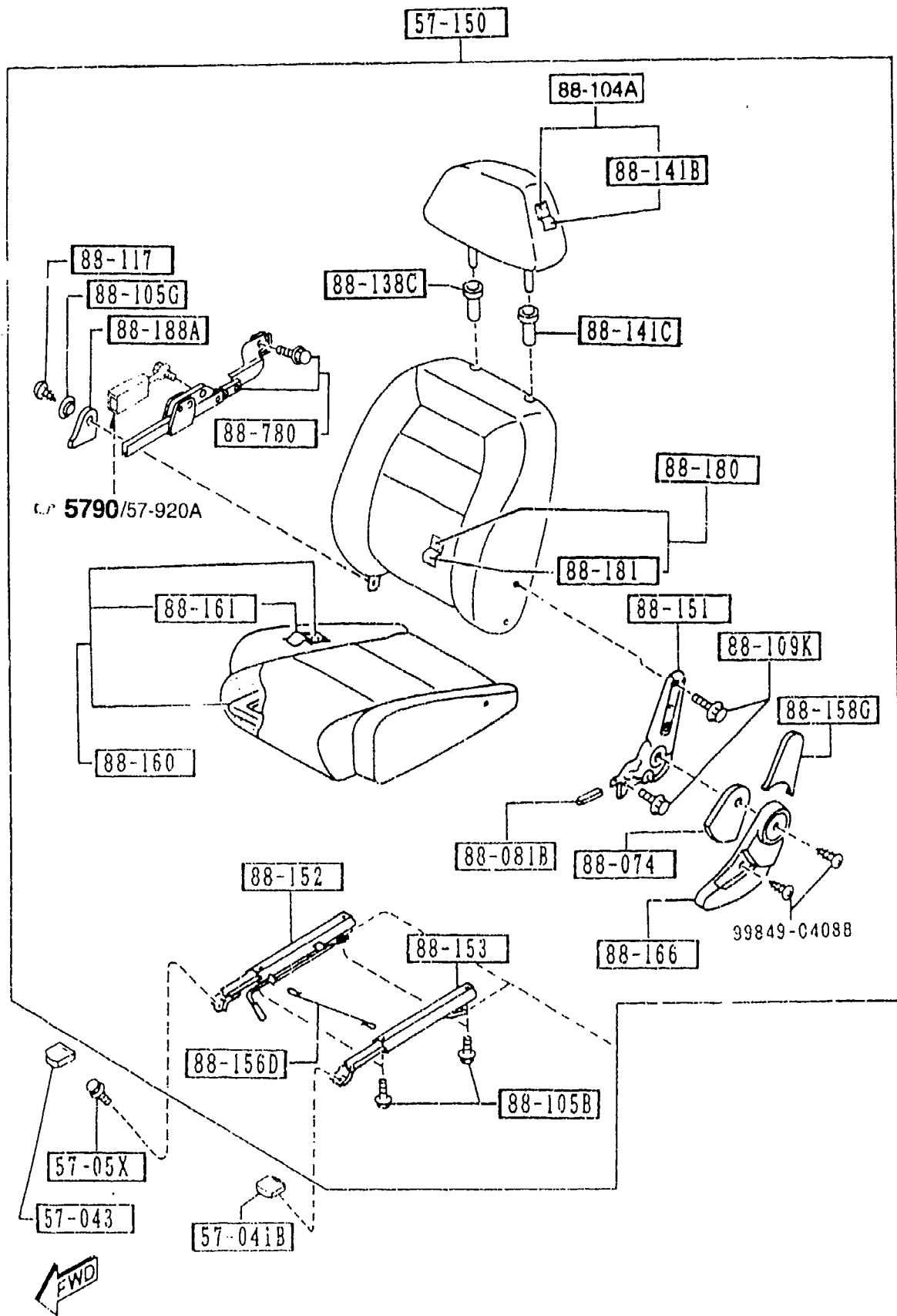
4901 NA35\* -602618  
4B01 NA35\* -606043



PART NO.	QTY	MODEL/RESTRICTION	MODEL/RESTRICTION	MODEL/RESTRICTION	FROM-TO
CONT'D					
00	INT-	NA3 BLACK			
NA79-57-150D	1	P.E.GR, PKG-A, PKG-B (STA TYPE, W/HEAD SPEAKER, W/O SENSORY SOUND) ( '95 MODEL)			4901-4801
00	INT-	NA3 BLACK			
NA80-57-150D	1	OPT, (STA TYPE, W/HEAD SPEAKER, W/SENSORY SOUND) ( '95 MODEL)			4901-4801
00	INT-	NA3 BLACK			
NA75-57-150E	1	BASE, R-PKG, (STA TYPE, W/O HEAD SPEAKER) ( '95 MODEL)			4801-
00	INT-	NA3 BLACK			
NA79-57-150E	1	P.E.GR, PKG-A, PKG-B (STA TYPE, W/HEAD SPEAKER, W/O SENSORY SOUND) ( '95 MODEL)			4801-
00	INT-	NA3 BLACK			
NA80-57-150E	1	OPT, (STA TYPE, W/HEAD SPEAKER, W/SENSORY SOUND) ( '95 MODEL)			4801-
00	INT-	NA3 BLACK			
NB11-57-150B	1	M-25-ED, (STC TYPE, W/O HEAD SPEAKER) ( '95 MODEL)			4801-
88	INT-	NA5 TAN			
NA81-57-150E	1	L-PKG, PKG-C, (STB TYPE, W/HEAD SPEAKER, W/O SENSORY SOUND) ( '95 MODEL)			4801-5508
88	INT-	NA4 NA5 TAN			
NA82-57-150E	1	L-PKG-OPT, PKG-C-OPT (STB TYPE, W/HEAD SPEAKER, W/SENSORY SOUND) ( '95 MODEL)			4801-5508
86	INT-	NA4 NA5 TAN			

4901 NA35\* -602618  
 4801 NA35\* -606043  
 5508 NA35\* -620210

(STC TYPE)

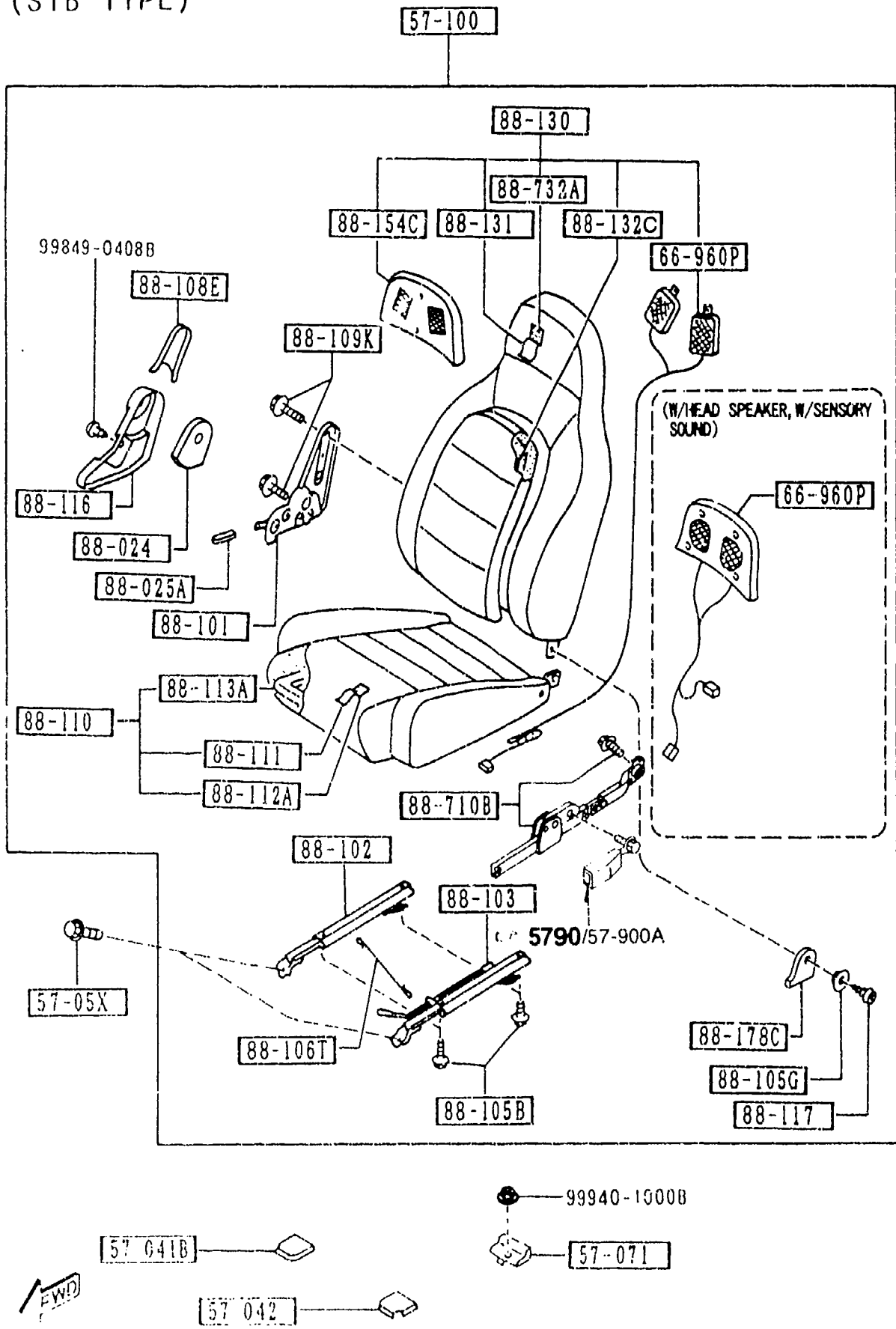


PART NO.	QTY	MODEL/RESTRICTION	MODEL/RESTRICTION	MODEL/RESTRICTION	FROM-TO
CONT'D NA81-57-150F	1	L-PKG, PKG-C, (STB TYPE, W/HEAD SPEAKER, W/O SENSORY SOUND) ( '95 MODEL)			5508-
88 NA82-57-150F	1	INT- NA4 NA5 TAN L-PKG-OPT, PKG-C-OPT (STB TYPE, W/HEAD SPEAKER, W/SENSORY SOUND) ( '95 MODEL)			5508-
88 NB47-57-150	1	INT- NA4 NA5 TAN M.EDI, (STC TYPE) ( '96 MODEL)			5B15-
88 NA04-66-960B	2	INT- NA5 TAN SPEAKER, PILLOW-SEAT L-PKG, P.E.GR, L-PKG, PKG-C, PKG-A, PKG-B, (W/HEAD SPK, W/O SENSORY SOUND) ( '95 MODEL) (ML- '96 MODEL)			
NB11-66-960	2	(W/HEAD SPEAKER, W/SENSORY SOUND) ( '96 MODEL)			
NB38-66-960	2	(W/HEAD SPK, W/O SENSORY SOUND) (GUAM- '96 MODEL) (SAIPAN- '96 MODEL)			
N020-66-960A	2	L-PKG-OPT, P.E.GR-OPT, (W/HEAD SPEAKER, W/SENSORY SOUND) ( '95 MODEL) (ML- '96 MODEL)			
NA01-88-033	1	PROTR(R), SEAT BELT			
NA01-88-034	1	KNOB(R), KNUCKLE			
00	INT-	NA3 NA7 NA8 BLACK			
88	INT-	NA4 NA5 TAN			
NA01-88-083	1	PROTR(L), SEAT BELT			

5508 NA35\* -620210  
5B15 NA3\*\* -705265



(STA TYPE)  
(STB TYPE)



PART NO.	QTY	MODEL/RESTRICTION	MODEL/RESTRICTION	MODEL/RESTRICTION	FROM-TO
88-081B		KNOB(L), KNUCKLE			
NA01-88-084	1				
00	INT-	NA3 NA7 NA8 BLACK			
88	INT-	NA4 NA5 TAN			
88-101		KNUCKLE(R), RECLINING			
NA01-88-101A	1				
88-102		ADJUSTER, NO.1			
NA01-88-102A	1				
88-103		ADJUSTER, NO.2			
NA75-88-103	1				
88-104A		RESTRAINT, HEAD			
NB11-88-140	2	M-25-ED, (STC TYPE, W/O HEAD S PEAKER) (195 MODEL)			
88	INT-	NA5 TAN			
88-105B		BOLT, LINK			
H260-88-105	8				
88-105G		BUSH, HINGE			
H260-88-108	2				
02	INT-	NA3 NA4 NA5 NA6 NA7 NA8 BLACK			
88-106T		WIRE, CONNECT			
NA01-88-106	1				
88-108E		COVER(R), SEAT BACK			
NA01-88-036	1				
00	INT-	NA3 NA7 NA8 BLACK			
88	INT-	NA4 NA5 TAN			
88-109K		SCREW, KNUCKLE			
H260-88-109	8				
88-110		CUSHION(R), FRT SEAT			

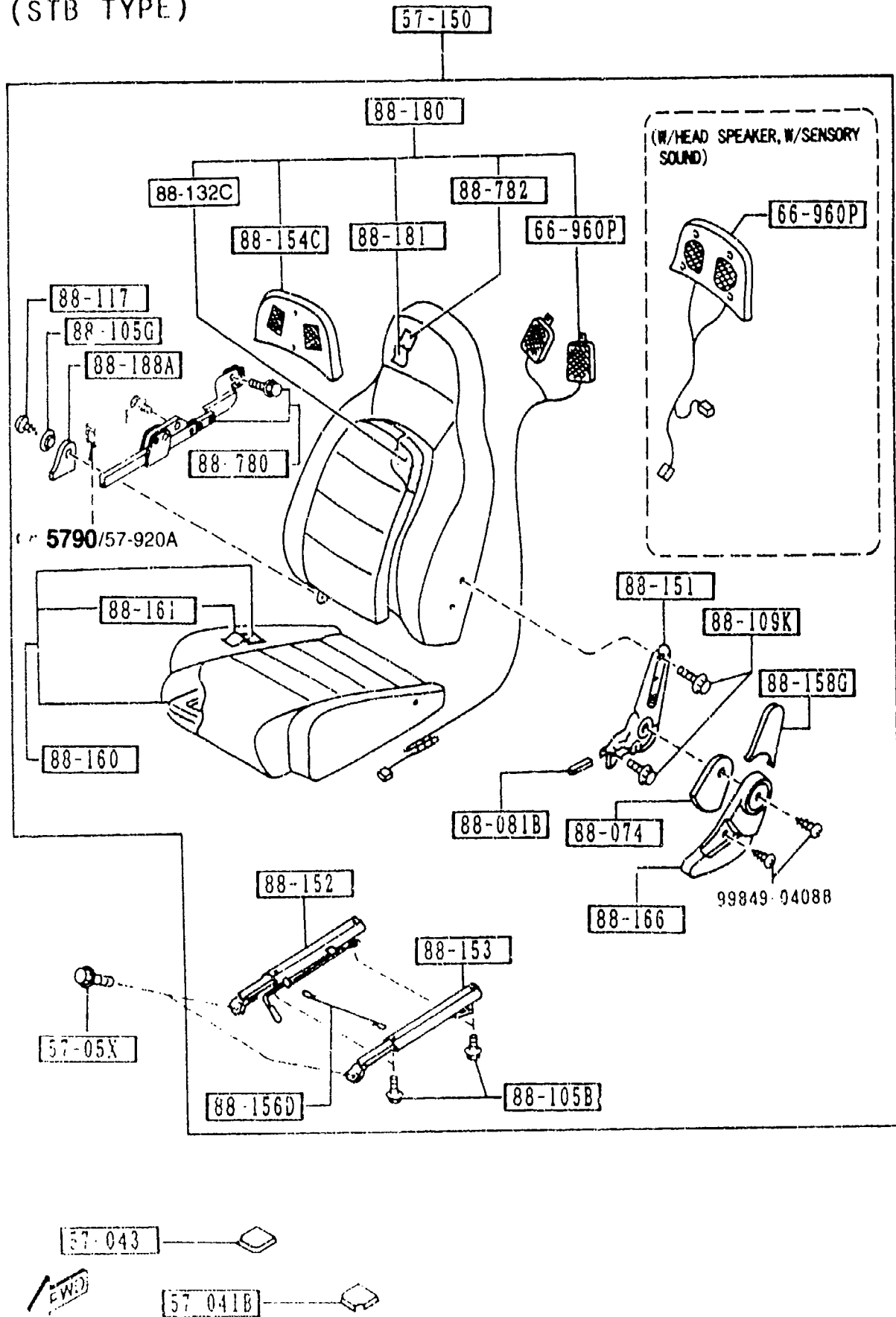
AUNA05

CAT. AUNA05-04

1997-07

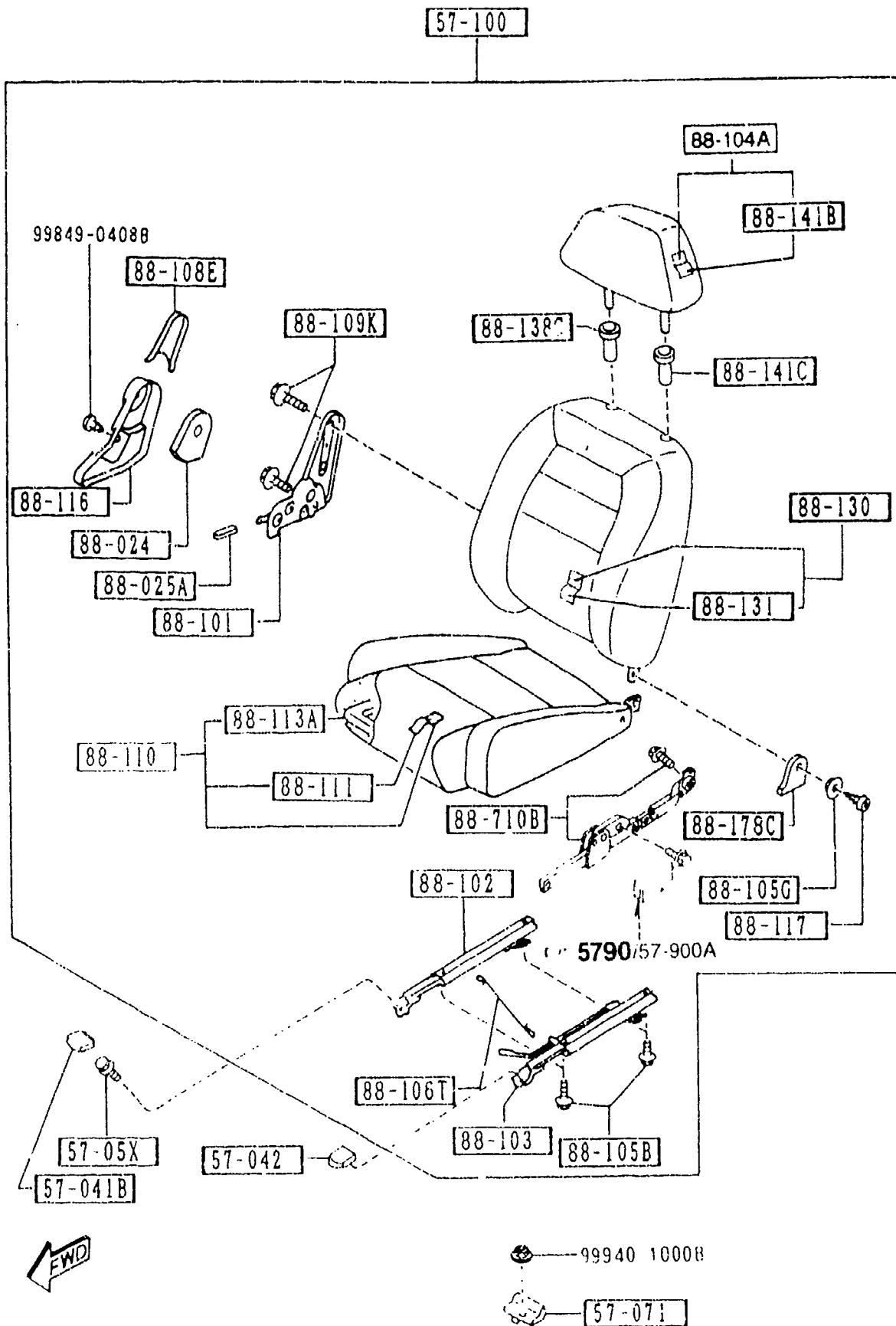
2-F11

(STA TYPE)  
(STB TYPE)



PART NO.	QTY	MODEL/RESTRICTION	MODEL/RESTRICTION	MODEL/RESTRICTION	FROM-TO
CONT'D					
N041-88-110	1	BASE, P.E.GR, PKG-A, PKG-B, R-PKG, (STA TYPE) ('96 MODEL)			
00	INT-	NA3 BLACK			
N043-88-110	1	L-PKG, PKG-C, M.EDI, (STB TYPE) (STC TYPE) ('96 MODEL)			
88	INT-	NA4 NA5 TAN			
NA75-88-110	1	BASE, P.E.GR, PKG-A, PKG-B, R-PKG, (STA TYPE) ('95 MODEL)			-4B01
00	INT-	NA3 BLACK			
NA81-88-110	1	L-PKG, PKG-C, (STB TYPE, W/HEAD SPEAKER) ('95 MODEL)			-4B01
88	INT-	NA4 NA5 TAN			
NB11-88-110	1	M-25-ED, (STC TYPE, W/O HEAD SPEAKER) ('95 MODEL)			-4B01
88	INT-	NA5 TAN			
NA75-88-110A	1	BASE, P.E.GR, PKG-A, PKG-B, R-PKG, (STA TYPE) ('95 MODEL)			4B01-
00	INT-	NA3 BLACK			
NB11-88-110B	1	M-25-ED, (STC TYPE, W/O HEAD SPEAKER) ('95 MODEL)			4B01-
88	INT-	NA5 TAN			
NA81-88-110A	1	L-PKG, PKG-C, (STB TYPE, W/HEAD SPEAKER) ('95 MODEL)			4B01-5508
88	INT-	NA4 NA5 TAN			
NA81-88-110B	1	L-PKG, PKG-C, (STB TYPE, W/HEAD SPEAKER) ('95 MODEL)			5508-
88	INT-	NA4 NA5 TAN			
88-111		TRIM(R), SEAT CUSHION			
N041-88-111	1	BASE, P.E.GR, PKG-A, PKG-B, R-PKG,			

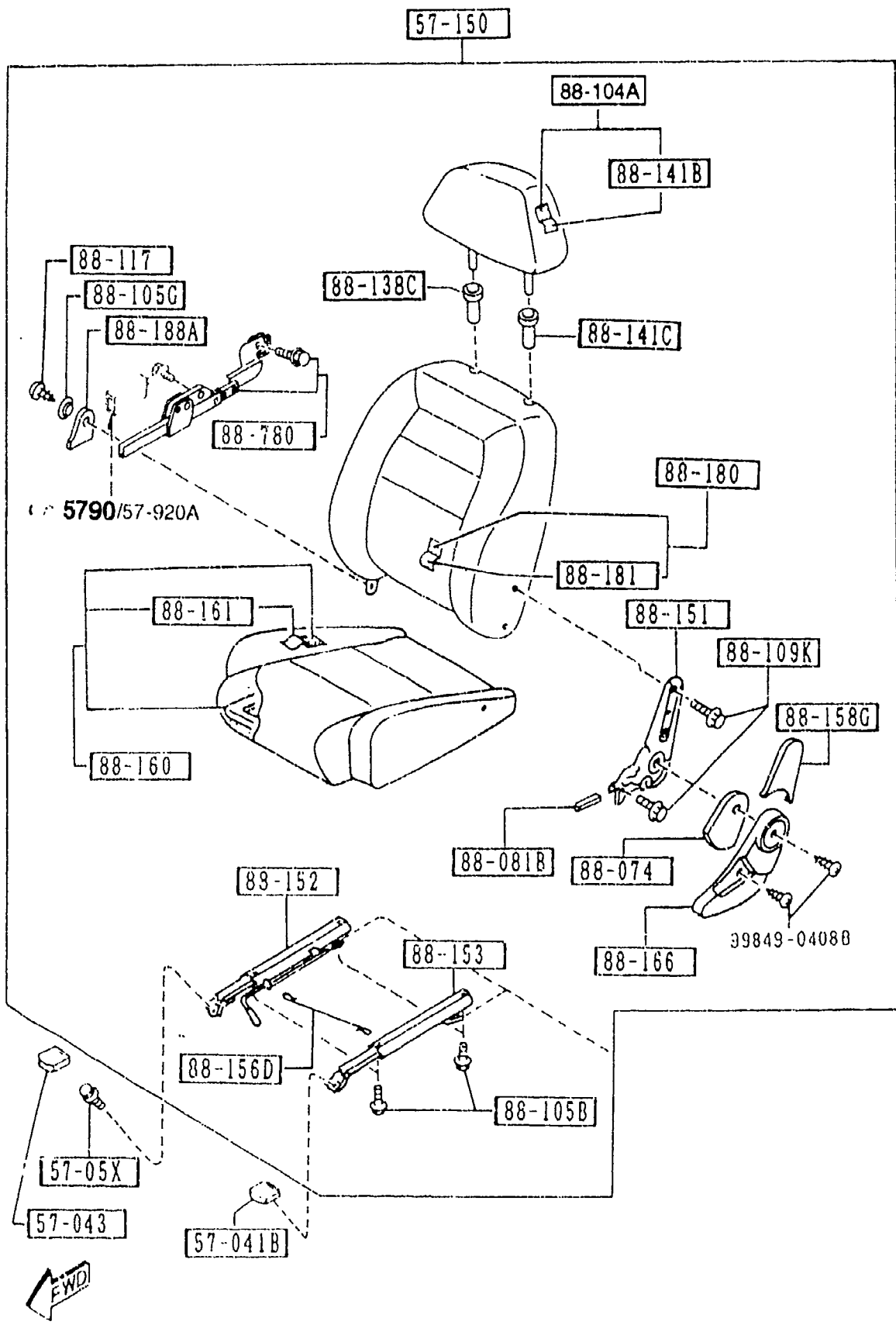
4B01 NA35\* -606743  
5508 NA35\* -620210



PART NO.	QTY	MODEL/RESTRICTION	MODEL/RESTRICTION	MODEL/RESTRICTION	FROM-TO
CONT'D		(STA TYPE) (196 MODEL)			
00	INT-	NA3 BLACK			
N043-88-111	1	L-PKG, PKG-C, M.EDI, (STB TYPE) (STC TYPE) (196 MODEL)			
88	INT-	NA4 NA5 TAN			
NA75-88-111	1	BASE, P.E.GR, PKG-A, PKG-B, R-PKG, (STA TYPE) (195 MODEL)			-4B01
00	INT-	NA3 BLACK			
NA81-88-111	1	L-PKG, PKG-C, (STB TYPE,W/HEAD SPE AKER) (195 MODEL)			-4B01
88	INT-	NA4 NA5 TAN			
NB11-88-111	1	M-25-ED, (STC TYPE,W/O HEAD S PEAKER) (195 MODEL)			-4B01
88	INT-	NA5 TAN			
NA75-88-111A	1	BASE, P.E.GR, PKG-A, PKG-B, R-PKG, (STA TYPE) (195 MODEL)			4B01-
00	INT-	NA3 BLACK			
NB11-88-111B	1	M-25-ED, (STC TYPE,W/O HEAD S PEAKER) (195 MODEL)			4B01-
88	INT-	NA5 TAN			
NA81-88-111A	1	L-PKG, PKG-C, (STB TYPE,W/HEAD SPE AKER) (195 MODEL)			4B01-5508
88	INT-	NA4 NA5 TAN			
NA81-88-111B	1	L-PKG, PKG-C, (STB TYPE,W/HEAD SPE AKER) (195 MODEL)			5508-
88	INT-	NA4 NA5 TAN			
+	+	88-112A	PAD(R), CUSHION-FRT		
NA75-88-112	1	BASE, P.E.GR, PKG-A, PKG-B, R-PKG, (STA TYPE) (195 MODEL)			

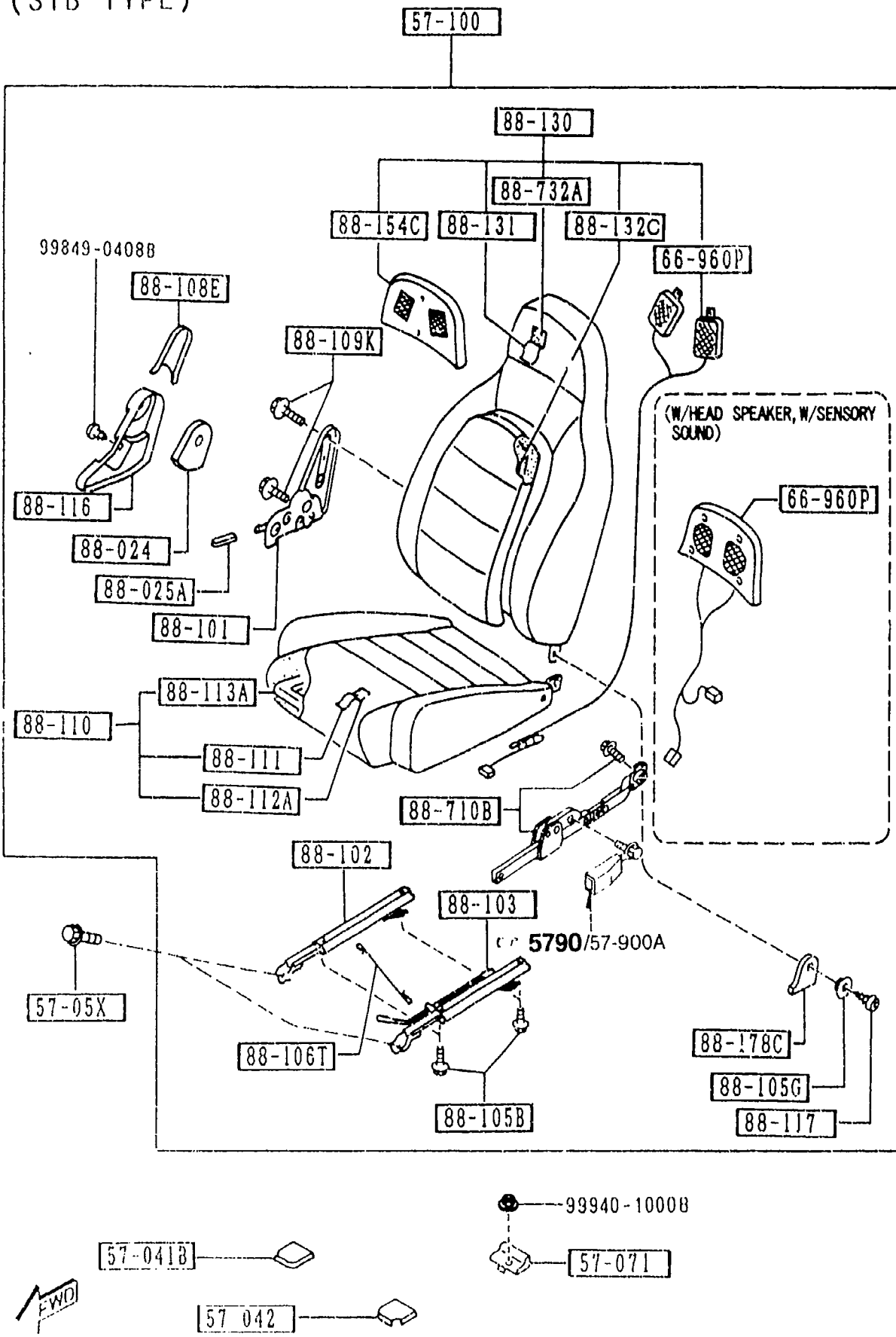
4B01 NA35\* -606043  
5508 NA35\* -620210

(STC TYPE)



PART NO.	QTY	MODEL/RESTRICTION	MODEL/RESTRICTION	MODEL/RESTRICTION	FROM-TO
CONT'D NA81-88-112	1	L-PKG, PKG-C, (STB TYPE, W/HEAD SPEAKER) ( '95 MODEL)			
88-113A		FRAME(R), CUSHION-FRT			
NA75-88-113	1				
88-116		COVER(R), KNUCKLE			
NA01-88-031	1				
00	INT-	NA3 NA7 NA8 BLACK			
88	INT-	NA4 NA5 TAN			
88-117		SCREW, KNUCKLE			
H260-88-107	2				
88-130		BACK(R), FRONT SEAT			
NA75-88-130	1	BASE, R-PKG, (STA TYPE, W/O HEAD SPEAKER) ( '95 MODEL)			
00	INT-	NA3 BLACK			
NA79-88-130	1	P.E. GR, PKG-A, PKG-B (STA TYPE, W/HEAD SPEAKER, W/O SENSORY SOUND) ( '95 MODEL)			
00	INT-	NA3 BLACK			
NA80-88-130	1	OPT, (STA TYPE, W/HEAD SPEAKER, W/SENSORY SOUND) ( '95 MODEL)			
00	INT-	NA3 BLACK			
NA81-88-130	1	L-PKG, PKG-C, (STB TYPE, W/HEAD SPEAKER, W/O SENSORY SOUND) ( '95 MODEL)			
88	INT-	NA4 NA5 TAN			
NA82-88-130	1	L-PKG-OPT, PKG-C-OPT (STB TYPE, W/HEAD SPEAKER, W/SENSORY SOUND) ( '95 MODEL)			
88	INT-	NA4 NA5 TAN			

(STA TYPE)  
(STB TYPE)



PART NO.	QTY	MODEL/RESTRICTION	MODEL/RESTRICTION	MODEL/RESTRICTION	FROM-TG
CONT'D NBY1-88-130	1	P.E.GR, (STA TYPE, W/HEAD SPEAKER, W/O SENSORY SOUND) (ML-'96 MODEL)			
00	INT-	NA3 BLACK			
NBY2-88-130	1	P.E.GR-OPT, (STA TYPE, W/HEAD SPEAKER, W/SENSORY SOUND) (ML-'96 MODEL)			
00	INT-	NA3 BLACK			
NBY3-88-130	1	L-PKG, (STB TYPE, W/HEAD SPEAKER, W/O SENSORY SOUND) (ML-'96 MODEL)			
88	INT-	NA5 TAN			
NBY4-88-130	1	L-PKG-OPT, (STB TYPE, W/HEAD SPEAKER, W/SENSORY SOUND) (ML-'96 MODEL)			
88	INT-	NA5 TAN			
NB11-88-130	1	M-25-ED, (STC TYPE, W/O HEAD SPEAKER) ( '95 MODEL)			
88	INT-	NA5 TAN			
NB40-88-130	1	(STA TYPE, W/O HEAD SPEAKER, W/O SENSORY SOUND) (GUAM-'96 MODEL) (SAIPAN-'96 MODEL)			
00	INT-	NA3 BLACK			
NB41-88-130	1	PKG-A, PKG-B, (STA TYPE, W/HEAD SPEAKER, W/O SENSORY SOUND) (GUAM-'96 MODEL) (SAIPAN-'96 MODEL)			
00	INT-	NA3 BLACK			
NB42-88-130	1	PKG-A-OPT, PKG-B-OPT (STA TYPE, W/HEAD SPEAKER, W/SENSORY SOUND) (GUAM-'96 MODEL) (SAIPAN-'96 MODEL)			
00	INT-	NA3 BLACK			
NB43-88-130	1	PKG-C, (STB TYPE, W/HEAD SPEAKER, W/O SENSORY SOUND)			

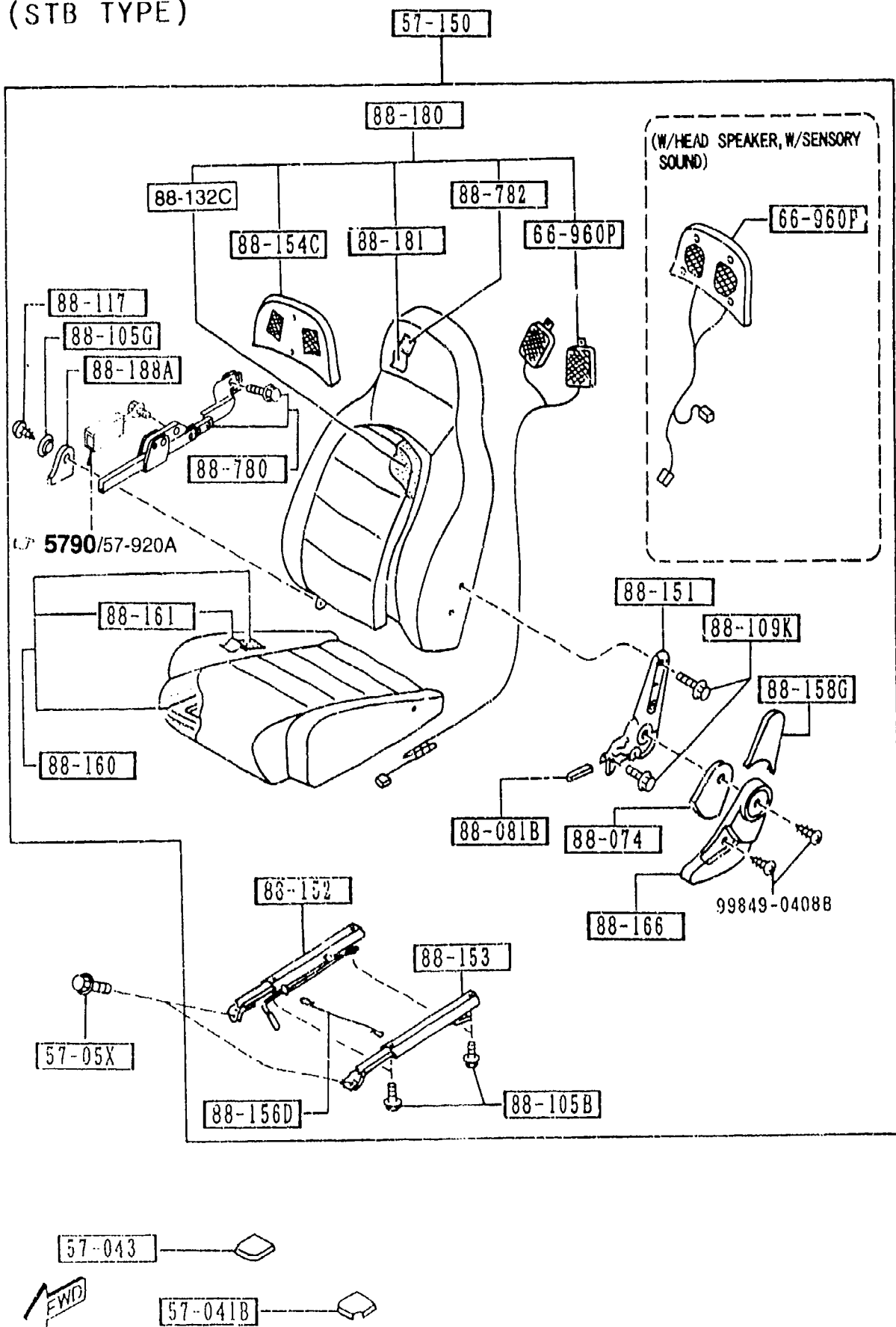
AUNA05

CAT. AUNA05-04

1997-07

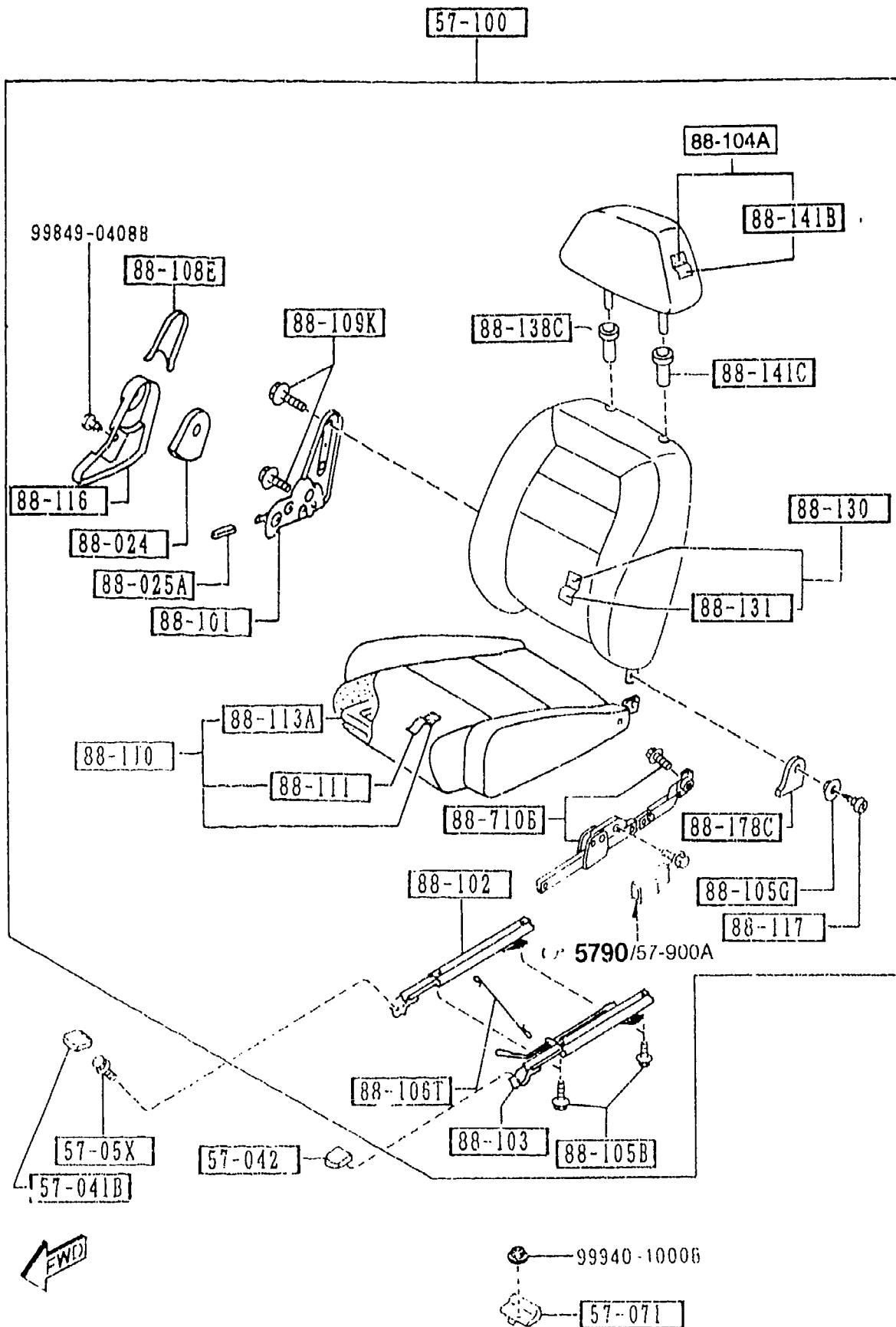
2-11

(STA TYPE)  
(STB TYPE)



PART NO.	QTY	MODEL/RESTRICTION	MODEL/RESTRICTION	MODEL/RESTRICTION	FROM-TO
CONT'D		AKER, W/O SENSORY SOUND) (GUAM-'96 MODEL) (SAIPAN-'96 MODEL)			
88	INT-	NA4 NA5 TAN			
NB44-88-130	1	PKG-C-OPT, (STB TYPE, W/HEAD SPEAKER, W/SENSORY SOUND) (GUAM-'96 MODEL) (SAIPAN-'96 MODEL)			
88	INT-	NA4 NA5 TAN			
NB47-88-130	1	M. EDI, (STC TYPE) ( '96 MODEL)			5B15-
88	INT-	NA4 NA5 TAN			
88-131		TRIM(R), SEAT BACK			
NA75-88-131	1	BASE, R-PKG, P.E.GR, PKG-A, PKG-B, (STA TYPE, W/O SENSORY SOUND) ( '95 MODEL)			
00	INT-	NA3 BLACK			
NA80-88-131	1	OPT, (STA TYPE, W/HEAD SPEAKER, W/SENSORY SOUND) ( '95 MODEL)			
00	INT-	NA3 BLACK			
NA81-88-131	1	L-PKG, PKG-C, (STB TYPE, W/HEAD SPEAKER, W/O SENSORY SOUND) ( '95 MODEL)			
83	INT-	NA4 NA5 TAN			
NA82-88-131	1	L-PKG-OPT, PKG-C-OPT (STB TYPE, W/HEAD SPEAKER, W/SENSORY SOUND) ( '95 MODEL)			
88	INT-	NA4 NA5 TAN			
NBY2-88-131	1	P.E.GR-OPT, (STA TYPE, W/HEAD SPEAKER, W/SENSORY SOUND) (ML-'96 MODEL)			
00	INT-	NA3 BLACK			
NBY4-88-131	1	L-PKG-OPT, (STB TYPE, W/HEAD SPEAKER, W/SENSORY SOUND)			

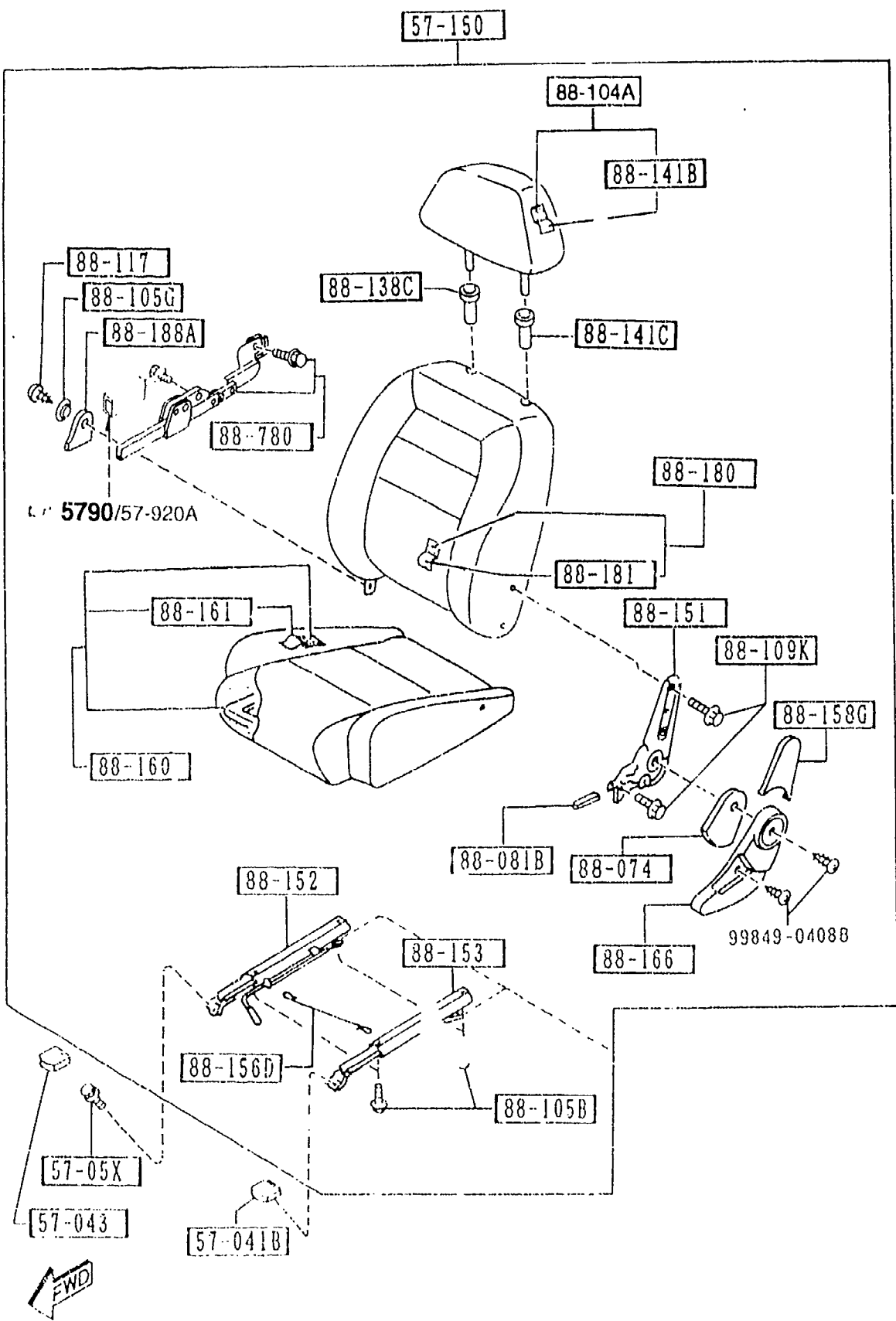
5B15 NA3\*\* -705265



PART NO.	QTY	MODEL/RESTRICTION	MODEL/RESTRICTION	MODEL/RESTRICTION	FROM-TO
CONT'D					
		AKER, W/SENSORY SOUND) (ML-'96 MODEL)			
88	INT-	NA3 TAN			
NB11-88-131	1	M-25-ED, (STC TYPE, W/O HEAD SPEAKER) ( '95 MODEL)			
88	INT-	NA5 TAN			
NB40-88-131	1	PKG-A, PKG-D, P.E.GR (STA TYPE, W/O HEAD SPEAKER, W/O SENSORY SOUND) (STA TYPE, W/HEAD SPEAKER, W/O SENSORY SOUND) (GUAM-'96 MODEL) (SAIPAN-'96 MODEL)			
00	INT-	NA3 BLACK			
NB42-88-131	1	PKG-A-OPT, PKG-B-OPT (STA TYPE, W/HEAD SPEAKER, W/SENSORY SOUND) (GUAM-'96 MODEL) (SAIPAN-'96 MODEL)			
00	INT-	NA3 BLACK			
NB43-88-131	1	PKG-C, L-PKG, (STB TYPE, W/HEAD SPEAKER, W/O SENSORY SOUND) (GUAM-'96 MODEL) (SAIPAN-'96 MODEL)			
88	INT-	NA4 NA5 TAN			
NB44-88-131	1	PKG-C-OPT, (STB TYPE, W/HEAD SPEAKER, W/SENSORY SOUND) (GUAM-'96 MODEL) (SAIPAN-'96 MODEL)			
88	INT-	NA4 NA5 TAN			
NB47-88-131	1	M.EDI, (STC TYPE) ( '96 MODEL)			5B15-
88	INT-	NA4 NA5 TAN			
		88-132C	PAD, SEAT BACK-FRT		
NA01-88-132A	2	BASE, R-PKG, P.E.GR, PKG-A, PKG-B, (STA TYPE, W/O SENSORY SOUND) ( '95 MODEL)			

5B15 NA3\*\* -705265

5700 SEATS  
(STC TYPE)

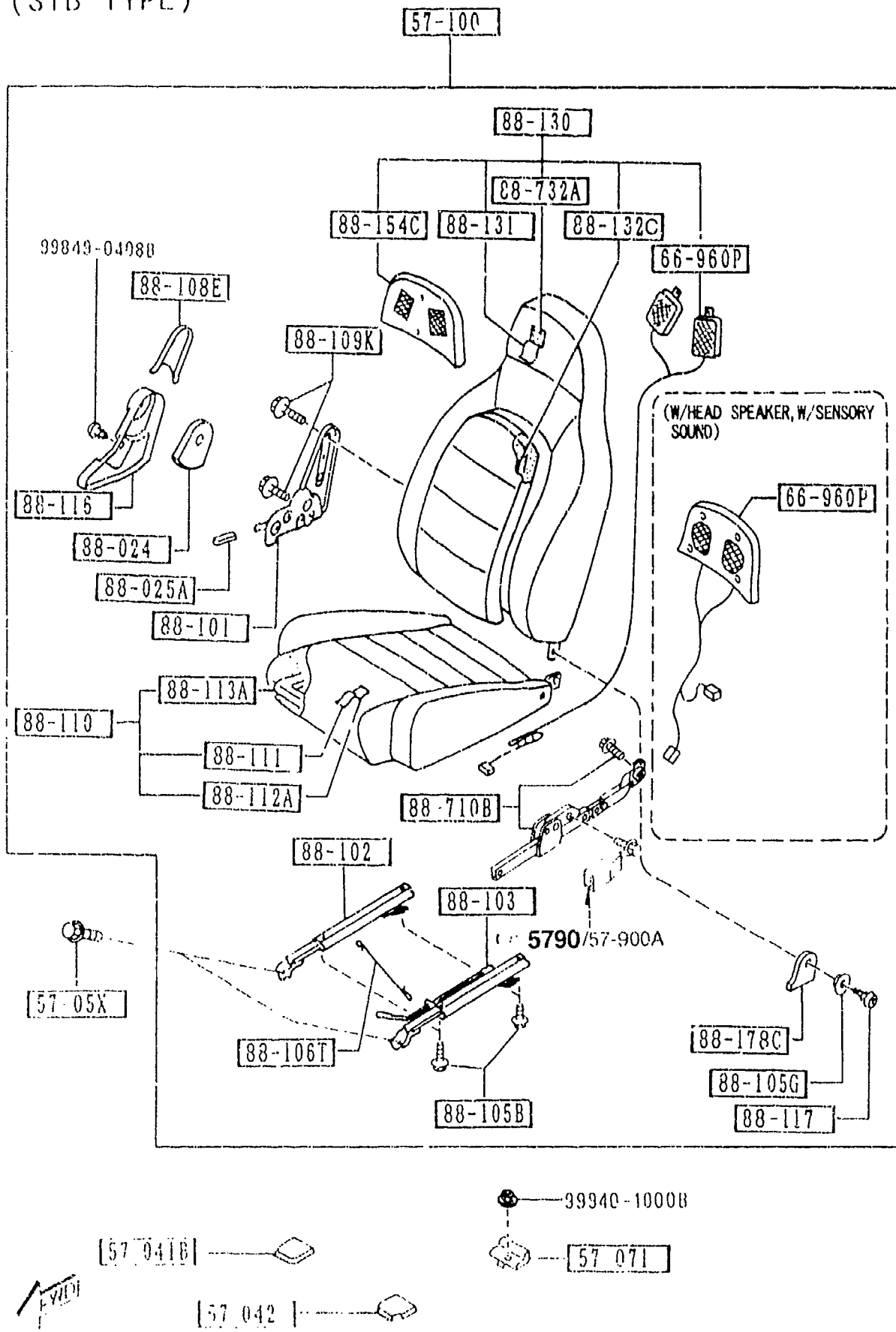


PART NO.	QTY	MODEL/RESTRICTION	MODEL/RESTRICTION	MODEL/RESTRICTION	FROM-TO
CONT'D					
NA01-88-132A	2	(W/O SENSORY SOUND) ( '96 MODEL)			
+-----+   88-138C   +-----+		GUIDE, POLE-NO. 2			
J001-88-148A	2	M-25-ED, (STC TYPE, W/O HEAD S PEAKER) ( '95 MODEL)			
02	INT-	NA3 NA7 BLACK			
88	INT-	NA5 NA4 TAN			
+-----+   88-141B   +-----+		TRIM, HEAD REST-FRT			
N811-88-141	2	M-25-ED, (STC TYPE, W/O HEAD S PEAKER) ( '95 MODEL)			
88	INT-	NA5 TAN			
+-----+   88-141C   +-----+		GUIDE, POLE-NO. 1			
J001-88-147A	2	M-25-ED, (STC TYPE, W/O HEAD S PEAKER) ( '95 MODEL)			
02	INT-	NA3 NA7 BLACK			
88	INT-	NA5 NA4 TAN			
+-----+   88-151   +-----+		KNUCKLE(L), RECLINING			
NA01-88-151A	1				
+-----+   88-152   +-----+		ADJUSTER NO. 3			
NA01-88-152A	1				
+-----+   88-153   +-----+		ADJUSTER NO. 4			
NA01-88-153A	1				
+-----+   88-154C   +-----+		COVER, HEAD REST			
NA01-88-137	2	(W/HEAD SPEAKER) ( '95 MODEL)			
NA01-88-137	2	(W/O SENSORY SOUND) ( '96 MODEL)			
+-----+   88-156D   +-----+		WIRE, CONNECT			
NA01-83-156	1				
+-----+   88-156G   +-----+		COVER(L), SEAT BACK			

2-M11

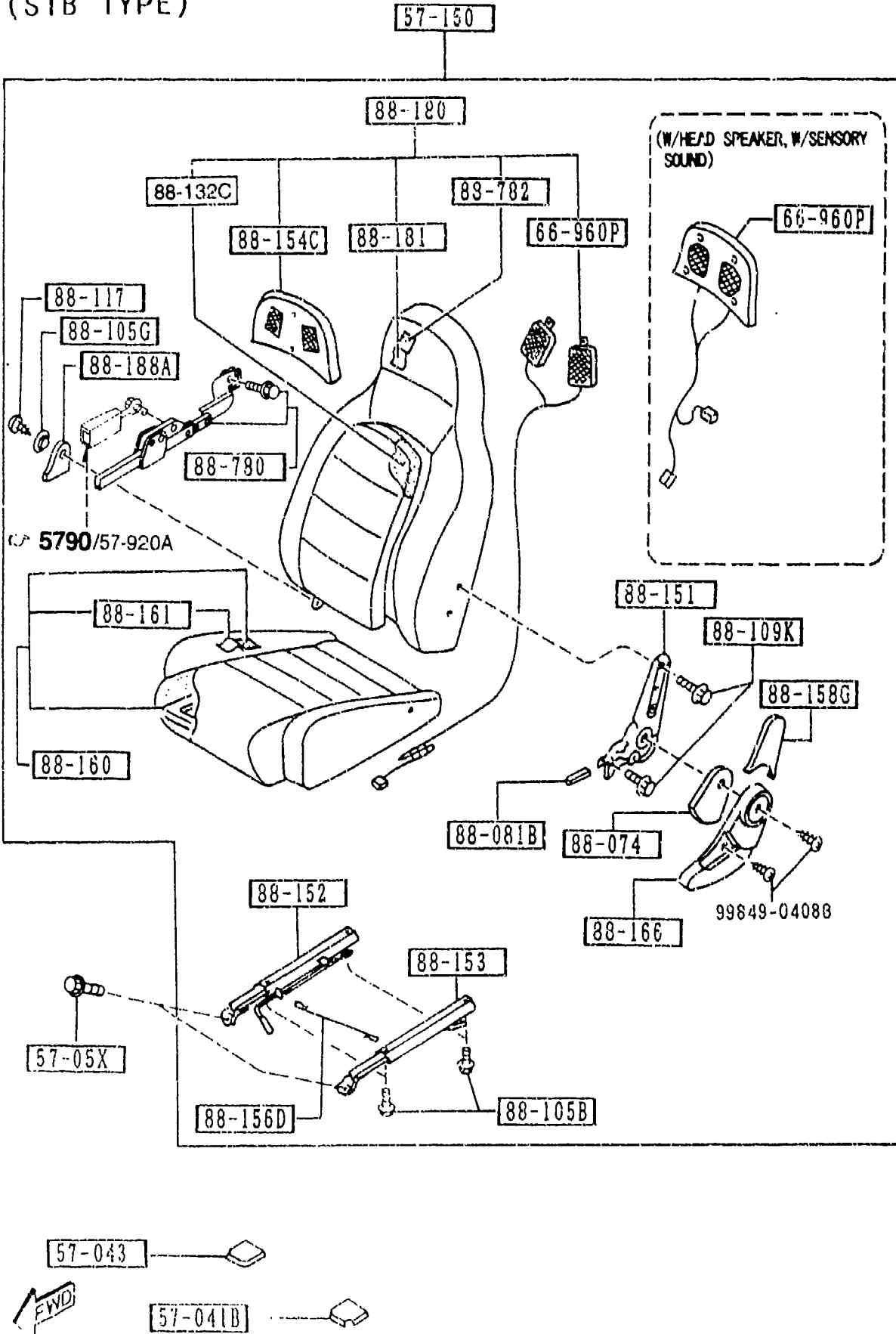


(STA TYPE)  
(STB TYPE)

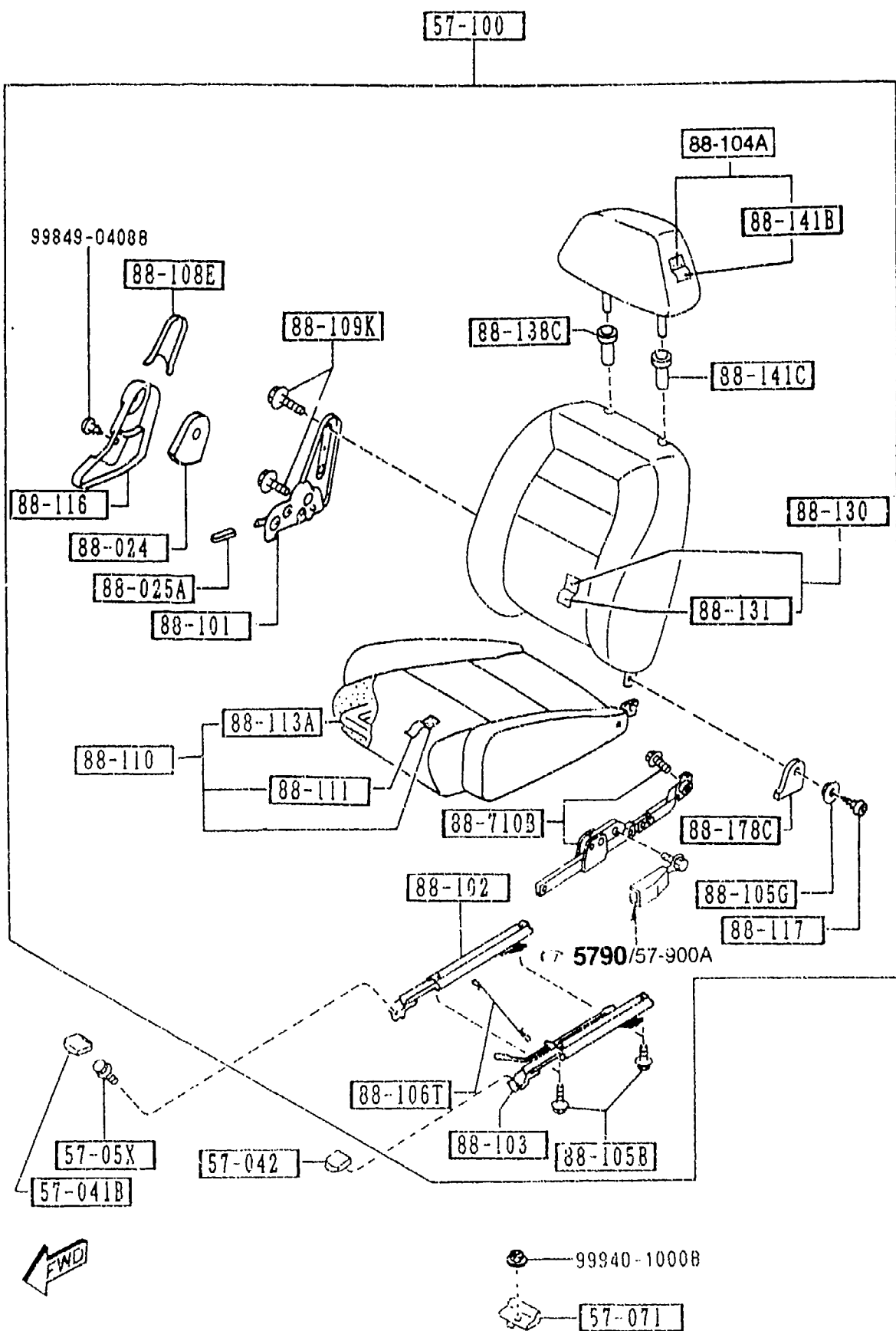


PART NO.	QTY	MODEL/RESTRICTION	MODEL/RESTRICTION	MODEL/RESTRICTION	FROM-TO
CONT'D					
NA01-88-086	1				
00	INT-	NA3 NA7 NA8 BLACK			
88	INT-	NA4 NA5 TAN			
88-160		CUSHION(L), FRT SEAT			
N041-88-160	1	BASE, P.E.GR, PKG-A, PKG-B, R-PKG, (STA TYPE) ('96 MODEL)			
00	INT-	NA3 BLACK			
N043-88-160	1	L-PKG, PKG-C, M.EDI, (STB TYPE) (STC TYPE) ('96 MODEL)			
88	INT-	NA4 NA5 TAN			
NA75-88-160	1	BASE, P.E.GR, PKG-A, PKG-B, R-PKG, (STA TYPE) ('95 MODEL)			4801
00	INT-	NA3 BLACK			
NA81-88-160	1	L-PKG, PKG-C, (STB TYPE, W/HEAD SPEAKER) ('95 MODEL)			4801
88	INT-	NA4 NA5 TAN			
NB11-88-160	1	M-25-ED, (STC TYPE, W/O HEAD SPEAKER) ('95 MODEL)			4801
88	INT-	NA5 TAN			
NA75-88-160A	1	BASE, P.E.GR, PKG-A, PKG-B, R-PKG, (STA TYPE) ('95 MODEL)			4801-
00	INT-	NA3 BLACK			
NB11-88-160B	1	M-25-ED, (STC TYPE, W/O HEAD SPEAKER) ('95 MODEL)			4801-
88	INT-	NA5 TAN			
NA81-88-160A	1	L-PKG, PKG-C, (STB TYPE, W/HEAD SPEAKER) ('95 MODEL)			4801-5508
88	INT-	NA4 NA5 TAN			
NA81-88-160B	1	L-PKG, PKG-C, (STB TYPE, W/HEAD SPEAKER)			5508-
4801 NA35*		-606043			
5508 NA35*		-620210			

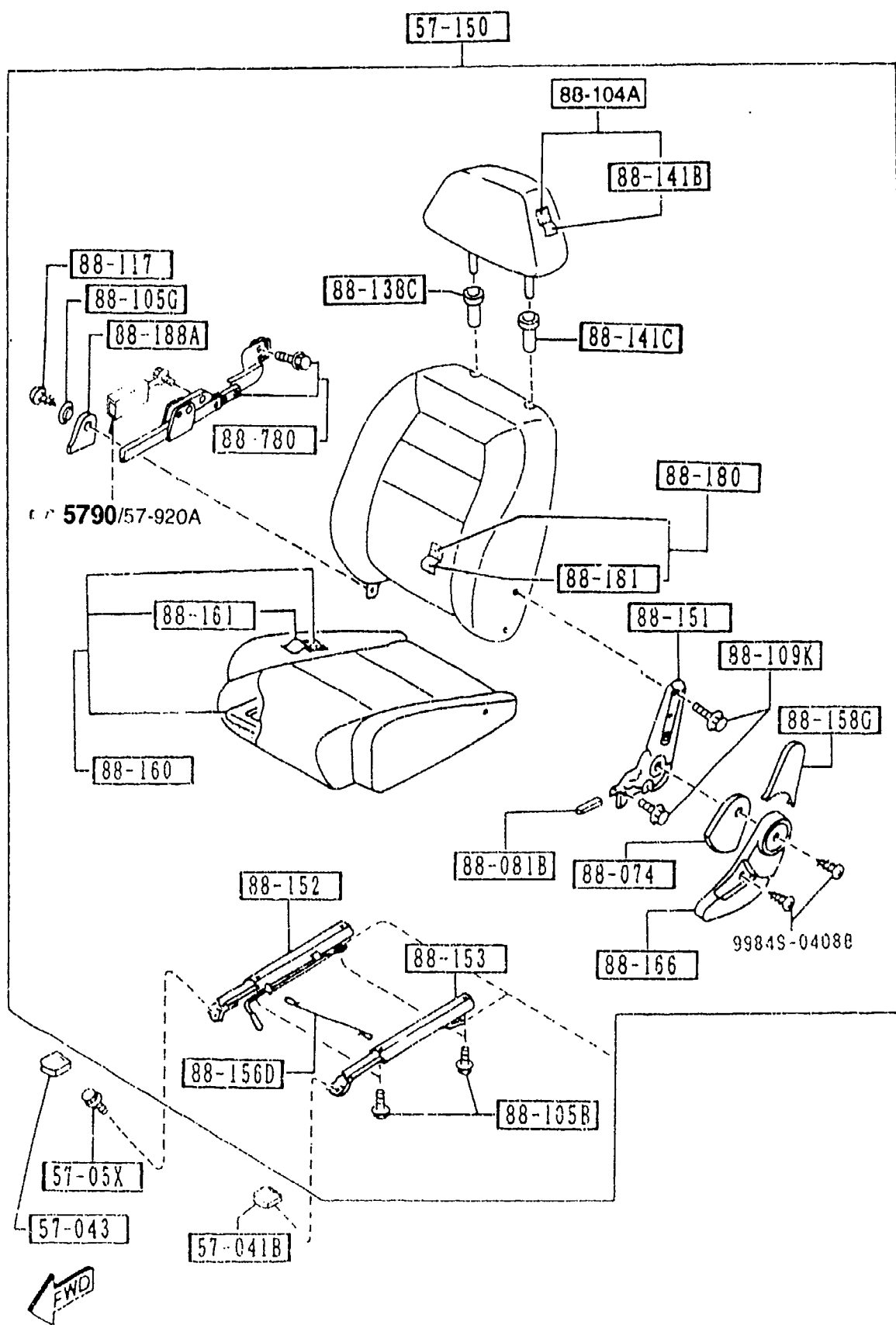
(STA TYPE)  
(STB TYPE)



PART NO.	QTY	MODEL/RESTRICTION	MODEL/RESTRICTION	MODEL/RESTRICTION	FROM-TO
CONT'D		('95 MODEL)			
88	INT-	NA4 NA5 TAN			
88-161		TRIM(L), SEAT CUSHION			
N041-88-161	1	BASE, P.E.GR, PKG-A, PKG-B, R-PKG, (STA TYPE) ('96 MODEL)			
00	INT-	NA3 BLACK			
N043-88-161	1	L-PKG, PKG-C, M.EDI, (STB TYPE) (STC TYPE) ('96 MODEL)			
88	INT-	NA4 NA5 TAN			
NA75-88-161	1	BASE, P.E.GR, PKG-A, PKG-B, R-PKG, (STA TYPE) ('95 MODEL)			-4801
00	INT-	NA3 BLACK			
NA81-88-161	1	L-PKG, PKG-C, (STB TYPE, W/HEAD SPEAKER) ('95 MODEL)			-4801
88	INT-	NA4 NA5 TAN			
NB11-88-161	1	M-25-ED, (STC TYPE, W/O HEAD SPEAKER) ('95 MODEL)			-4801
88	INT-	NA5 TAN			
NA75-88-161A	1	BASE, P.E.GR, PKG-A, PKG-B, R-PKG, (STA TYPE) ('95 MODEL)			4801-
00	INT-	NA3 BLACK			
NB11-88-161B	1	M-25-ED, (STC TYPE, W/O HEAD SPEAKER) ('95 MODEL)			4801-
88	INT-	NA5 TAN			
NA81-88-161A	1	L-PKG, PKG-C, (STB TYPE, W/HEAD SPEAKER) ('95 MODEL)			4801-5508
88	INT-	NA4 NA5 TAN			
NA81-88-161B	1	L-PKG, PKG-C, (STB TYPE, W/HEAD SPEAKER) ('95 MODEL)			5508-
4801 NA35* -606043					
5508 NA35* -620210					

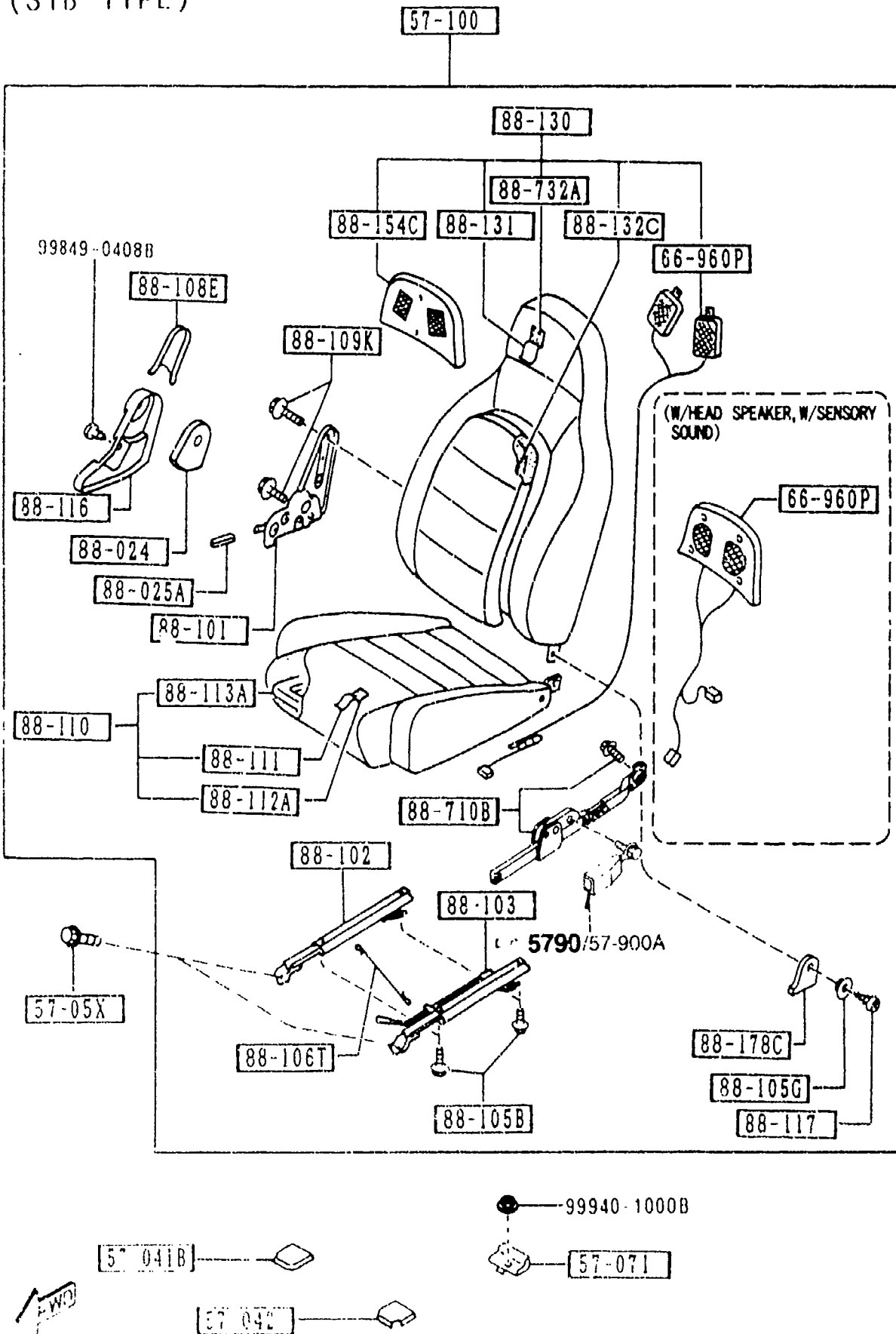


PART NO.	QTY	MODEL/RESTRICTION	MODEL/RESTRICTION	MODEL/RESTRICTION	FROM-TO
CONT'D					
88	INT-	NA4 NA5 TAN			
88-166		COVER(L), KNUCKLE			
NA01-88-081	1				
00	INT-	NA3 NA7 NA8 BLACK			
88	INT-	NA4 NA5 TAN			
88-178C		COVER(R), HINGE			
NA01-88-035	1				
00	INT-	NA3 NA7 NA8 BLACK			
88	INT-	NA4 NA5 TAN			
88-180		BACK(L), FRONT SEAT			
NA75-88-180	1	BASE, R-PKG, (STA TYPE, W/O HEAD SPEAKER) ('95 MODEL)			
00	INT-	NA3 BLACK			
NA79-88-180	1	P.E.GR, PKG-A, PKG-B (STA TYPE, W/HEAD SPEAKER, W/O SENSORY SOUND) ('95 MODEL)			
00	INT-	NA3 BLACK			
NA80-88-180	1	OPT, (STA TYPE, W/HEAD SPEAKER, W/SENSORY SOUND) ('95 MODEL)			
00	INT-	NA3 BLACK			
NA81-88-180	1	L-PKG, PKG-C, (STB TYPE, W/HEAD SPEAKER, W/O SENSORY SOUND) ('95 MODEL)			
88	INT-	NA4 NA5 TAN			
NA82-88-180	1	L-PKG-OPT, PKG-C-OPT (STB TYPE, W/HEAD SPEAKER, W/SENSORY SOUND) ('95 MODEL)			
88	INT-	NA4 NA5 TAN			
NA82-88-180	1	P.E.GR, (STA TYPE, W/HEAD SPEAKER, W/O SENSORY SOUND)			



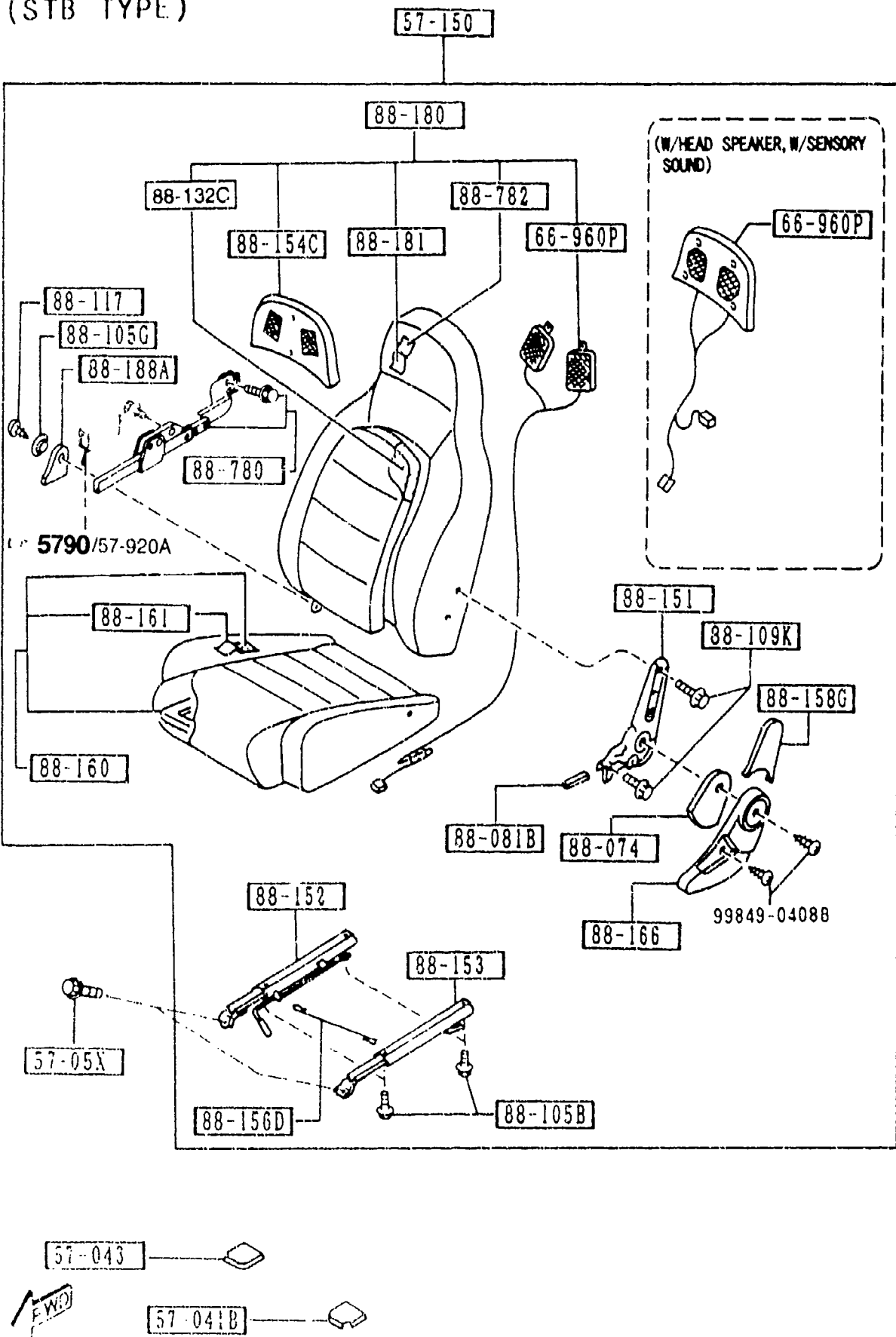
PART NO.	QTY	MODEL/RESTRICTION	MODEL/RESTRICTION	MODEL/RESTRICTION	FROM-TO
CONT'D		(ML-'96 MODEL)			
00	INT-	NA3 BLACK			
NBY2-88-180	1	P.E. GR-OPT, (STA TYPE, W/HEAD SPEAKER, W/SENSORY SOUND) (ML-'96 MODEL)			
00	INT-	NA3 BLACK			
NBY3-88-180	1	L-PKG, (STB TYPE, W/HEAD SPEAKER, W/O SENSORY SOUND) (ML-'96 MODEL)			
88	INT-	NA5 TAN			
NBY4-88-180	1	L-PKG-OPT, (STB TYPE, W/HEAD SPEAKER, W/SENSORY SOUND) (ML-'96 MODEL)			
88	INT-	NA5 TAN			
NB11-88-180	1	M-25-ED, (STC TYPE, W/O HEAD SPEAKER) (95 MODEL)			
88	INT-	NA5 TAN			
NB40-88-180	1	(STA TYPE, W/O HEAD SPEAKER, W/O SENSORY SOUND) (GUAM-'96 MODEL) (SAIPAN-'96 MODEL)			
00	INT-	NA3 BLACK			
NB41-88-180	1	PKG-A, PKG-B, (STA TYPE, W/HEAD SPEAKER, W/O SENSORY SOUND) (GUAM-'96 MODEL) (SAIPAN-'96 MODEL)			
00	INT-	NA3 BLACK			
NB42-88-180	1	PKG-A-OPT, PKG-B-OPT, (STA TYPE, W/HEAD SPEAKER, W/SENSORY SOUND) (GUAM-'96 MODEL) (SAIPAN-'96 MODEL)			
00	INT-	NA3 BLACK			
NB43-88-180	1	PKG-C, (STB TYPE, W/HEAD SPEAKER, W/O SENSORY SOUND) (GUAM-'96 MODEL) (SAIPAN-'96 MODEL)			

(STA TYPE)  
(STB TYPE)



PART NO.	QTY	MODEL/RESTRICTION	MODEL/RESTRICTION	MODEL/RESTRICTION	FROM-TO
CONT'D					
88		INT- NA4 NA5 TAN			
NB44-88-180	1	PKG-C-OPT, (STB TYPE, W/HEAD SPEAKER, W/SENSORY SOUND) (GUAM-'96 MODEL) (SAIPAN-'96 MODEL)			
88		INT- NA4 NA5 TAN			
NB47-88-180	1	M.EDI, (STC TYPE) ( '96 MODEL)			5B15-
88		INT- NA4 NA5 TAN			
		88-181	TRIM(L), SEAT BACK		
NA75-88-181	1	RASE, R-PKG, P.E.GR, PKG-A, PKG-B, (STA TYPE, W/O SENSOR Y SOUND) ( '95 MODEL)			
00		INT- NA3 BLACK			
NAB0-88-181	1	OPT, (STA TYPE, W/HEAD SPEAKER, W/SENSORY SOUND) ( '95 MODEL)			
00		INT- NA3 BLACK			
NAB1-88-181	1	L-PKG, PKG-C, (STB TYPE, W/HEAD SPEAKER, W/O SENSOR SOUND) ( '95 MODEL)			
88		INT- NA4 NA5 TAN			
NAB2-88-181	1	L-PKG-OPT, PKG-C-OPT (STB TYPE, W/HEAD SPEAKER, W/SENSORY SOUND) ( '95 MODEL)			
88		INT- NA4 NA5 TAN			
NBY2-88-181	1	P.E.GR-OPT, (STA TYPE, W/HEAD SPEAKER, W/SENSORY SOUND) (ML-'96 MODEL)			
00		INT- NA3 BLACK			
NBY4-88-181	1	L-PKG-OPT, (STB TYPE, W/HEAD SPEAKER, W/SENSORY SOUND) (ML-'96 MODEL)			
5B15 NA3** -705265					

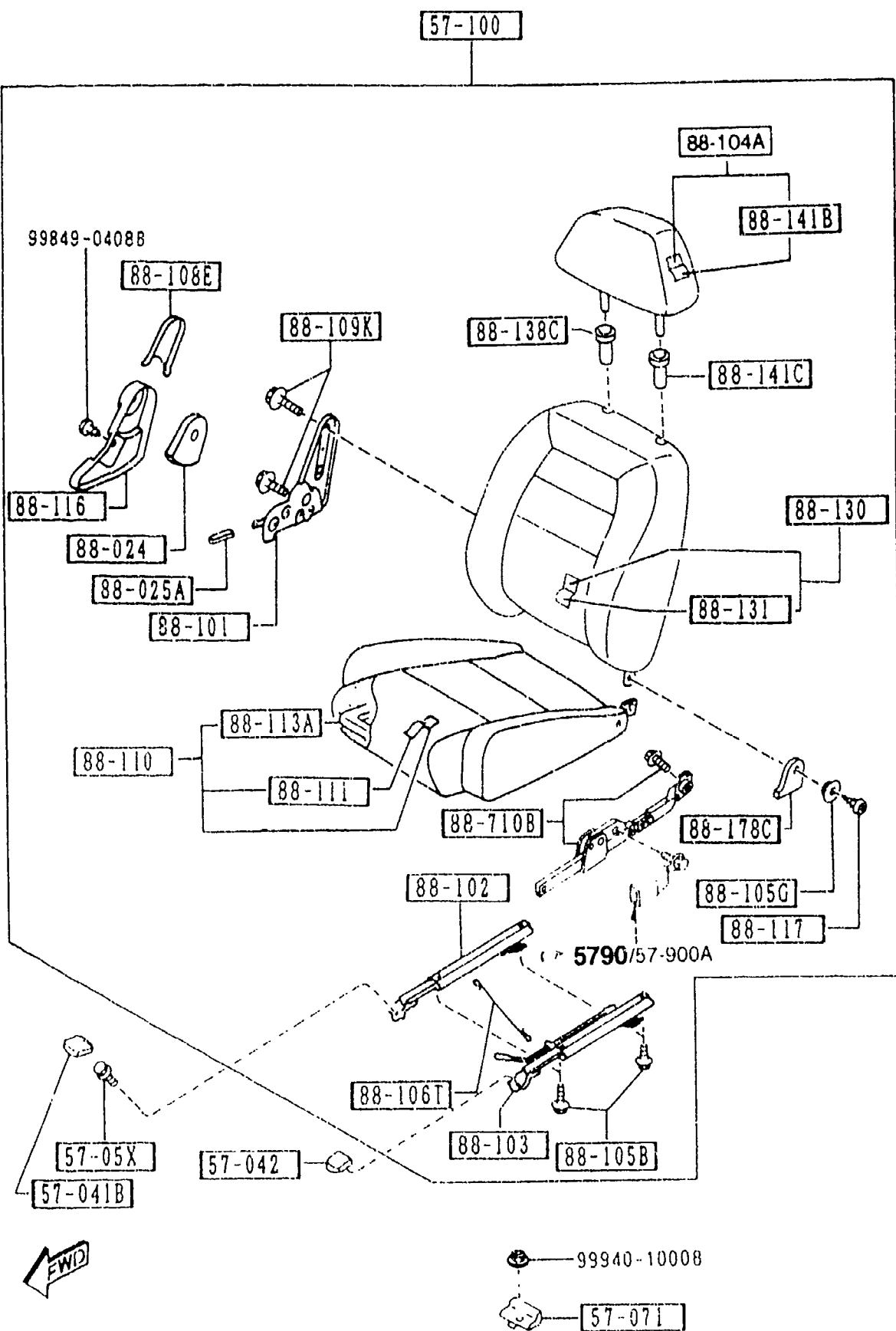
(STA TYPE)  
(STB TYPE)



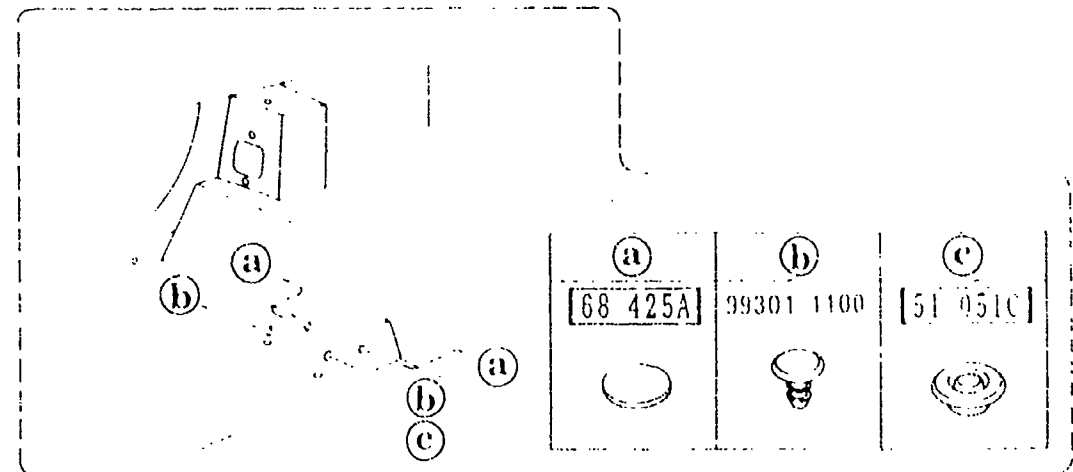
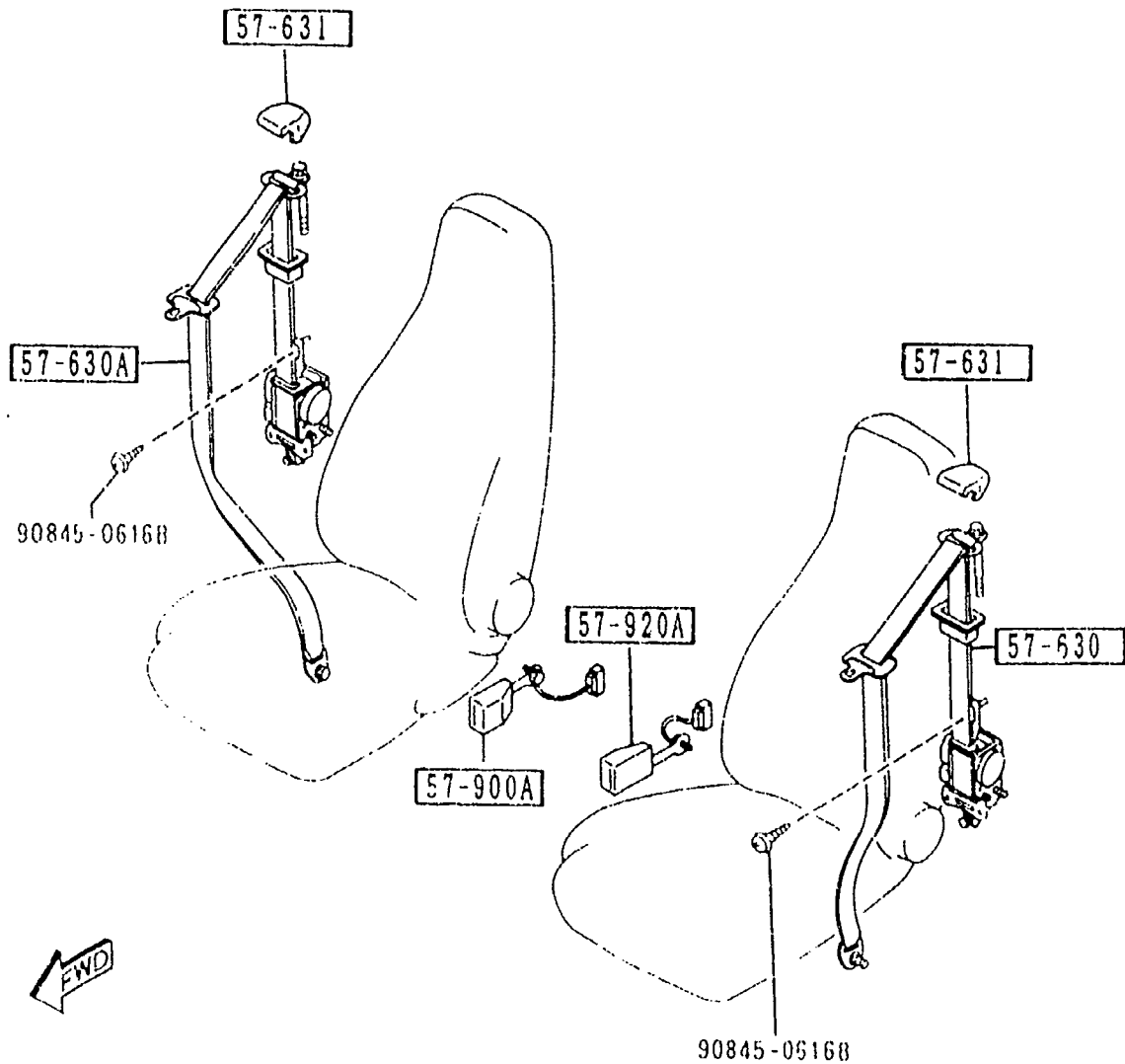
PART NO	QTY	MODEL/RESTRICTION	MODEL/RESTRICTION	MODEL/RESTRICTION	FROM-TO
CONT'D					
88		INT- NA5 TAN			
NB11-88-181	1	M-25-ED, (STC TYPE, W/O HEAD S PEAKER) ( '95 MODEL)			
88		INT- NA5 TAN			
NB40-88-181	1	PKG-A, PKG-B, P.E.GR (STA TYPE, W/O HEAD S PEAKER, W/O SENSORY S OUND) (STA TYPE, W/HEAD SPE AKER, W/O SENSORY SOU ND) (GUAM-'96 MODEL) (SAIPAN-'96 MODEL)			
00		INT- NA3 BLACK			
NB42-88-181	1	PKG-A-OPT, PKG-B-OPT (STA TYPE, W/HEAD SPE AKER, W/SENSORY SOUN D) (GUAM-'96 MODEL) (SAIPAN-'96 MODEL)			
00		INT- NA3 BLACK			
NB43-88-181	1	PKG-C, L-PKG, (STB TYPE, W/HEAD SPE AKER, W/O SENSORY SOU ND) (GUAM-'96 MODEL) (SAIPAN-'96 MODEL)			
88		INT- NA4 NA5 TAN			
NB44-88-181	1	PKG-C-OPT, (STB TYPE, W/HEAD SPE AKER, W/SENSORY SOUN D) (GUAM-'96 MODEL) (SAIPAN-'96 MODEL)			
88		INT- NA4 NA5 TAN			
NB47-88-181	1	M.EDI, (STC TYPE) ( '96 MODEL)			5B15-
88		INT- NA4 NA5 TAN			
		+-----+   88-188A   +-----+	COVER(L), HINGE		
NA01-88-035	1				
00		INT- NA3 NA7 NA8 BLACK			
88		INT- NA4 NA5 TAN			
		+-----+   88-710J   +-----+	ANCHOR UNIT(R), BELT		

5B15 NA3\*\* -705265

5700 SEATS  
(STC TYPE)



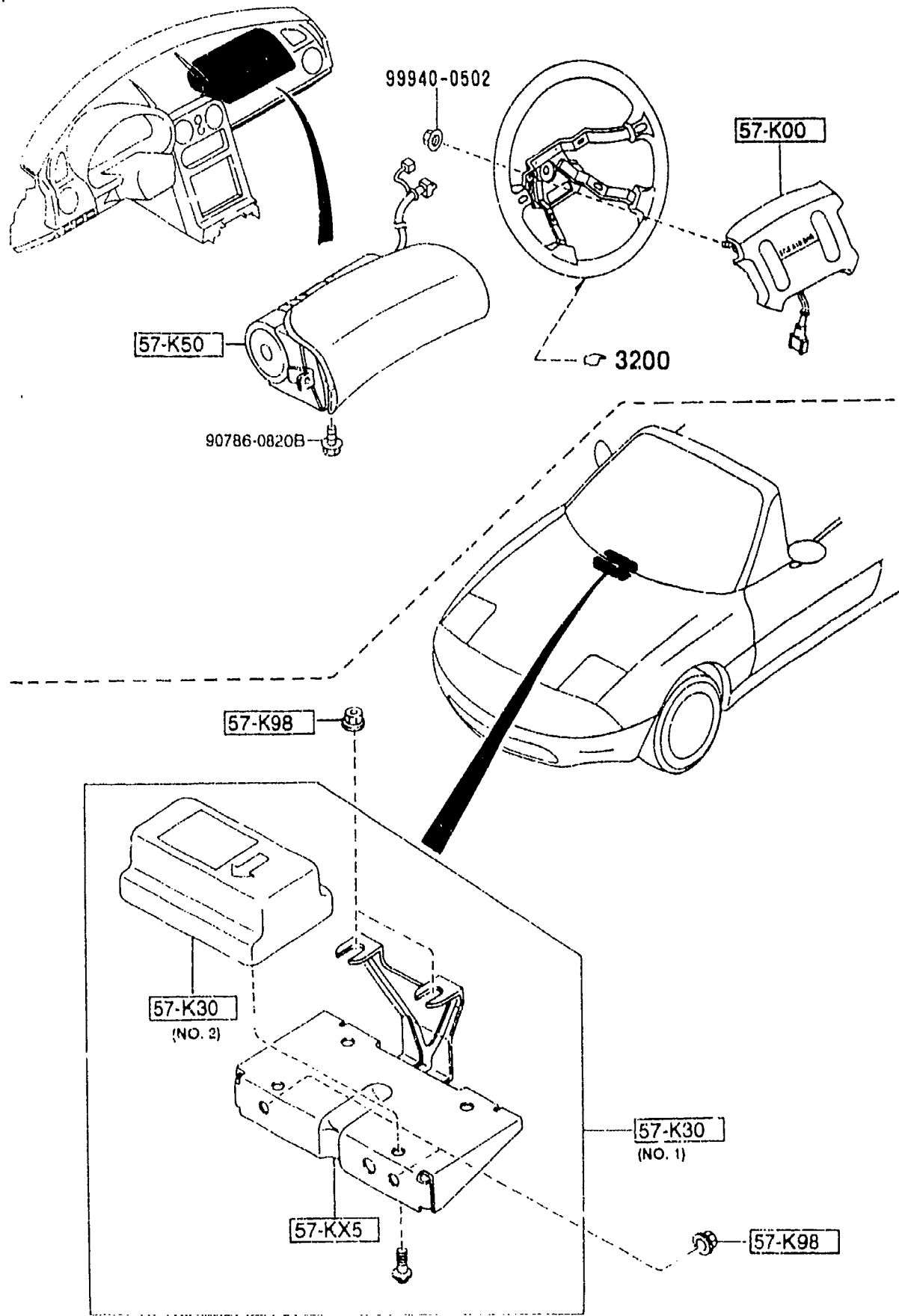
PART NO	QTY	MODEL/RESTRICTION	MODEL/RESTRICTION	MODEL/RESTRICTION	FROM-TO
CONT'D NA75-88-710	1				
+-----+   88-732A   +-----+		PAD'B'(R),BACK-FRT			
NA01-88-732A	1	(W/HEAD SPEAK'R) ( '95 MODEL)			
NA01-88-732A	1	(W/O SENSORY SOUND) ( '96 MODEL)			
+-----+   88-780   +-----+		ANCHOR UNIT(L),BELT			
NA75-88-760	1				
+-----+   88-782   +-----+		PAD'B'(L),BACK-FRT			
NA01-88-782A	1	(W/HEAD SPEAKER) ( '95 MODEL)			
NA01-88-782A	1	(W/O SENSORY SOUND) ( '96 MODEL)			



PART NO.	QTY	MODEL/RESTRICTION	MODEL/RESTRICTION	MODEL/RESTRICTION	FROM-TO
51-051C		PLUG,HOLE			
BR70-51-264	1	('96 MODEL)			
57-630		BELT'B',FRT SEAT			
NA76-57-630D	1	('95 MODEL)			
00	INT-	NA3 BLACK			
88	INT-	NA4 NA5 TAN/BLACK			
NB38-57-630	1	('96 MODEL)			-6601
00	INT-	NA3 BLACK			
88	INT-	NA4 NA5 TAN/BLACK			
*NB38-57-630A	1	('96 MODEL)			6601-
* 00	INT-	NA3 BLACK			
* 88	INT-	NA4 NA5 TAN/BLACK			
57-630A		BELT'B'(R),FRT SEAT			
NA75-57-630F	1				-6601
00	INT-	NA3 BLACK			
88	INT-	NA4 NA5 TAN			
*NA75-57-630G	1				6601-
* 00	INT-	NA3 BLACK			
* 88	INT-	NA4 NA5 TAN			
57-631		COVER,ANCHOR			
N026-57-631	2				
00	INT-	NA3 NA4 NA5 NA6 NA7 NAB BLACK			
57-900A		BELT'A'(R),FRT SEAT			
NA75-57-620	1				
00	INT-	NA3 NA4 NA5 NA7 NAB BLACK			
57-920A		BELT'A'(L),FRT SEAT			
NA75-57-680A	1				
00	INT-	NA3 NA4 NA5 NA7 NAB BLACK			
68-425A		COVER,HOLE			
LA01-57-425A	2				

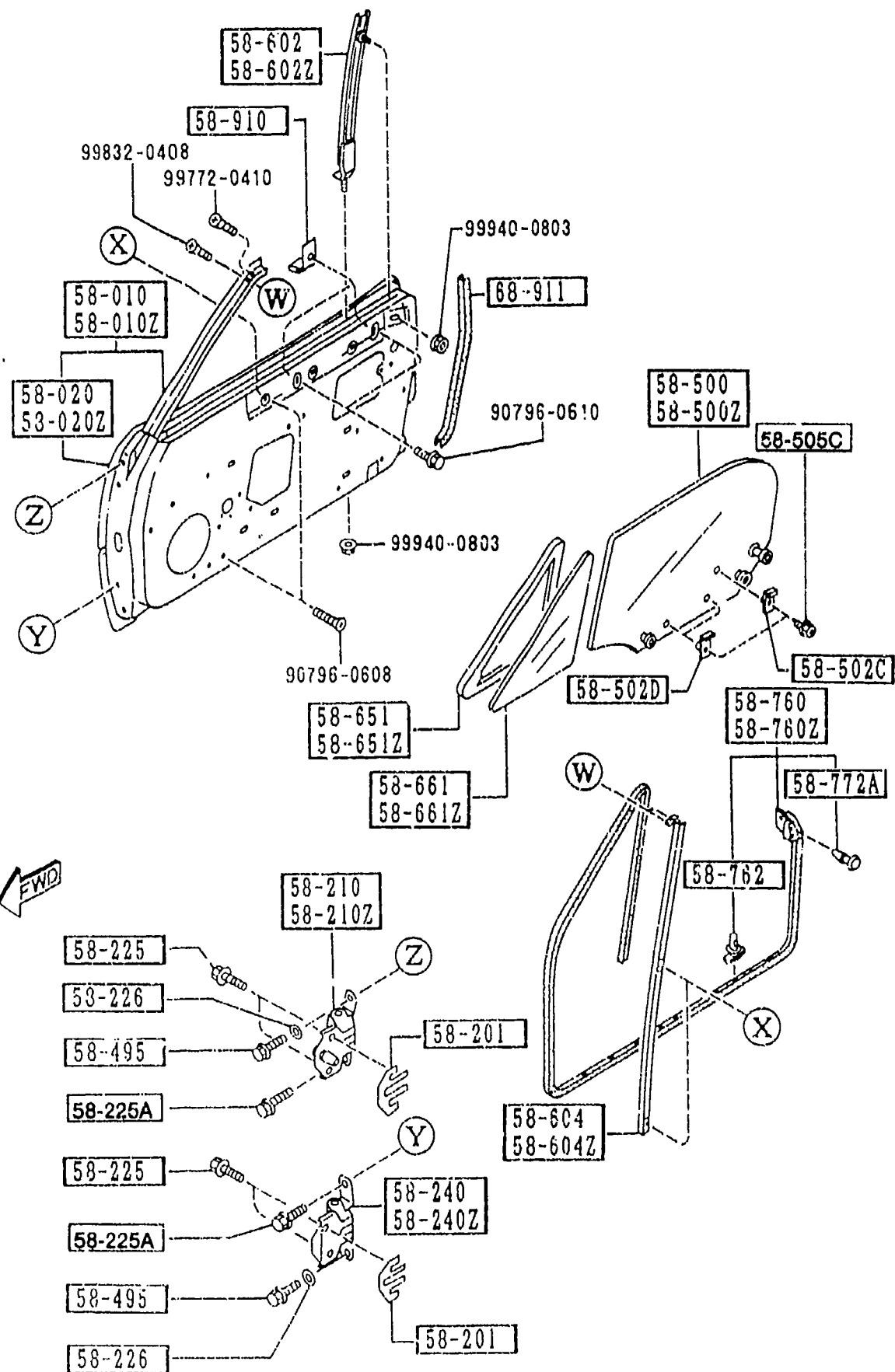
6601 NA3\*\* -719621



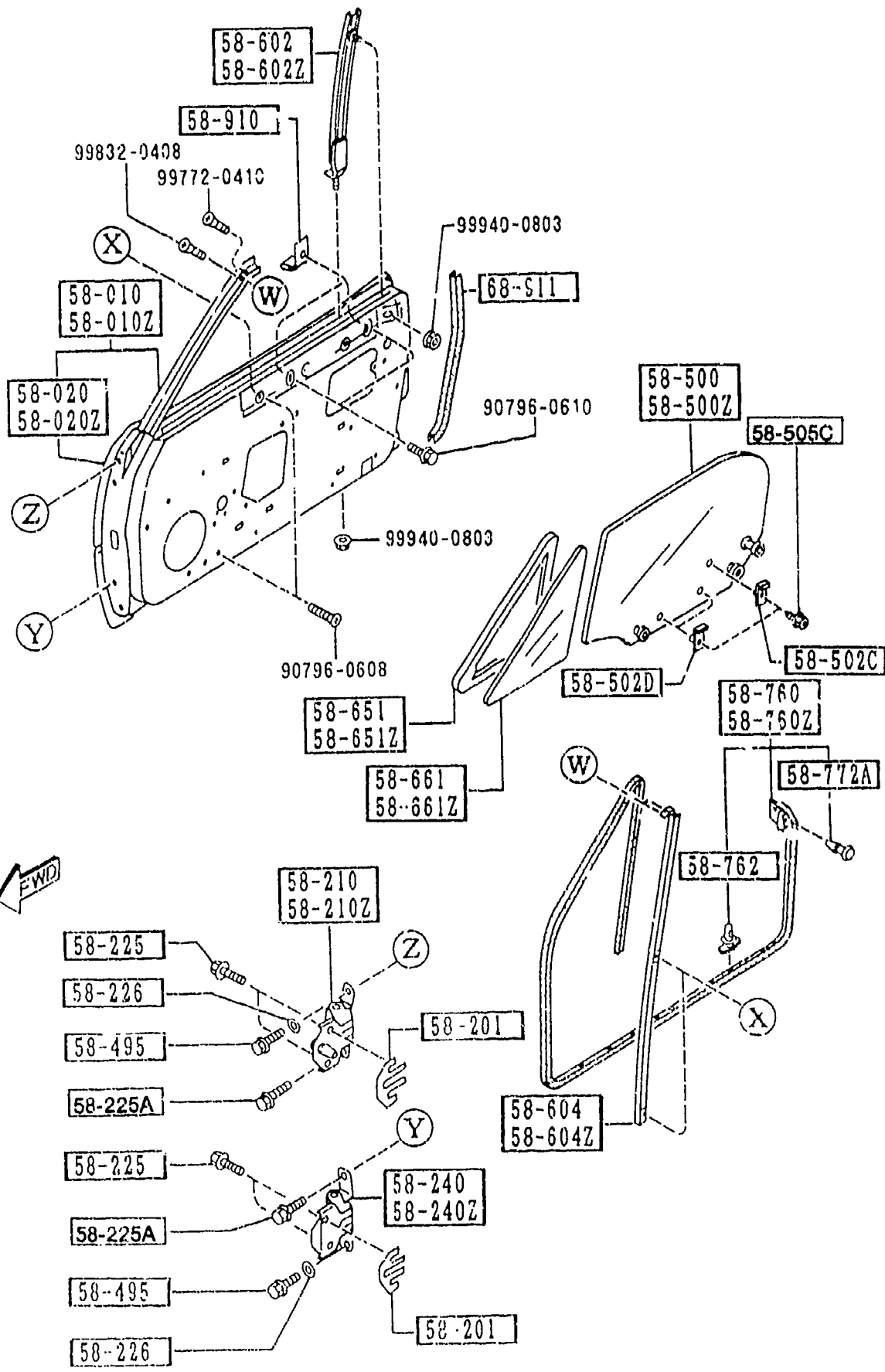


PART NO.	QTY	MODEL/RESTRICTION	MODEL/RESTRICTION	MODEL/RESTRICTION	FROM-TO
57-KX5		BRKT, AIR BAG MODULE			
N034-57-KX0A	1				
57-K00		MODULE, AIR BAG			
NB11-57-K00	1				
00	INT-	NA3 NA4 NA5 NA6 NA7 NAB BLACK			
57-K30		UNIT, SAS			
N034-57-K3XA AN(N034-57-K3XB)	1	(ILLUST. NO.1)			-5320
N034-57-K30 AN(N034-57-K30A)	1	(ILLUST. NO.2)			-5320
N034-57-K3XB AN(N034-57-K3XC)	1	(ILLUST. NO.1)			5320-5C01
N034-57-K30A AN(N034-57-K30B)	1	(ILLUST. NO.2)			5320-5C01
N034-57-K3XC	1	(ILLUST. NO.1)			5C01-
N034-57-K30B	1	(ILLUST. NO.2)			5C01-
57-K50		MODULE, AIR BAG PASSE NGER			
NB11-57-K7X	1				
00	INT-	NA3 NA4 NA5 NA6 NA7 NAB BLACK			
57-K98		NUT			
FC66-57-K98	4				

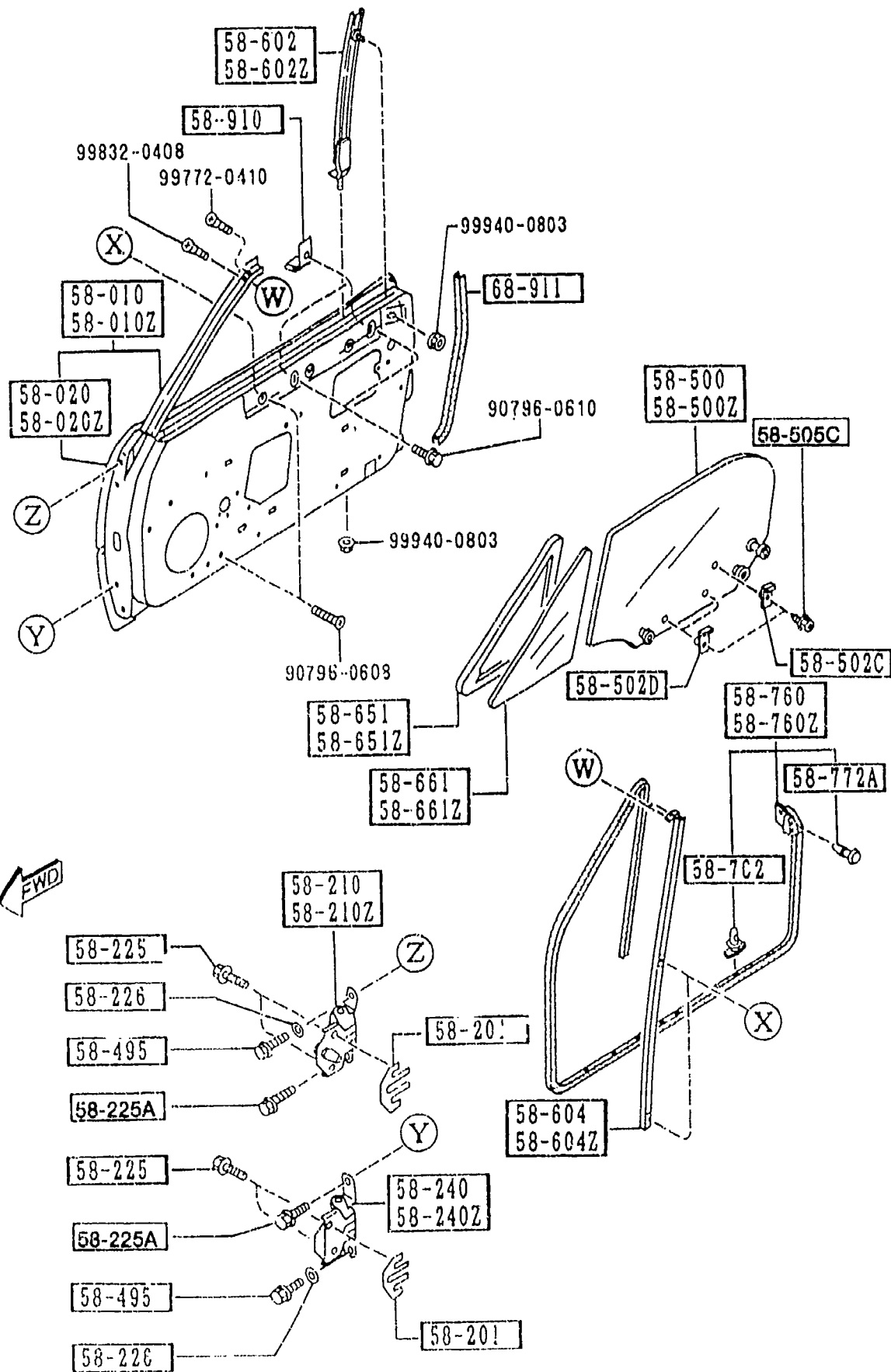
5320 NA35\* -618511  
5C01 NA3\*\* -706448



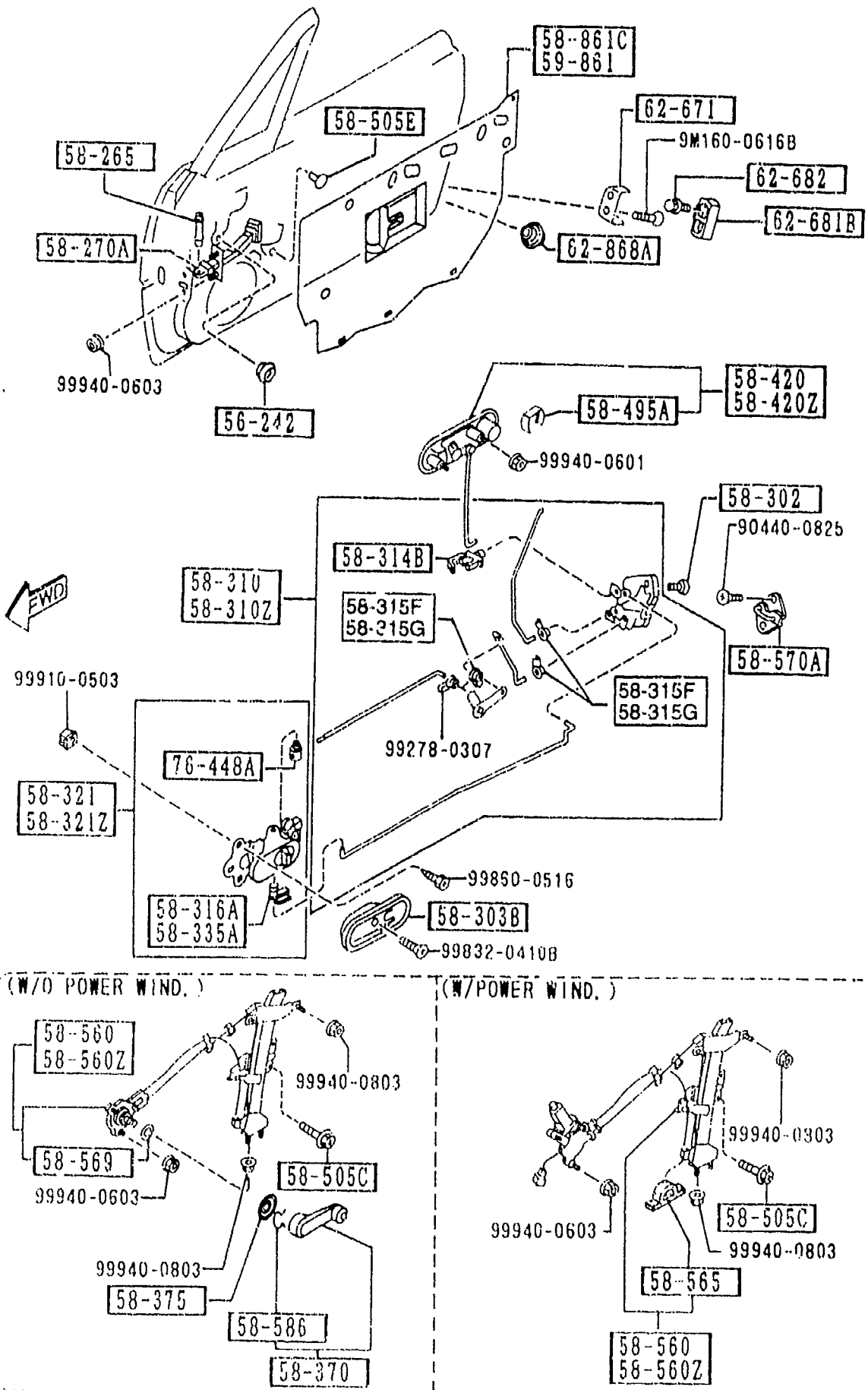
PART NO.	QTY	MODEL/RESTRICTION	MODEL/RESTRICTION	MODEL/RESTRICTION	FROM-TO
58-010		BODY(R),FRONT DOOR			-6718
NAY3-58-02X	1				6718-
*NAY4-58-02X	1				
58-010Z		BODY(L),FRONT DOOR			-6718
NAY3-59-02X	1				6718-
*NAY4-59-02X	1				
58-020		PANEL(R),OUT.-FRT DOOR			
NA52-58-030A	1				
58-020Z		PANEL(L),OUT.-FRT DOOR			
NA52-59-030A	1				
58-201		SHIM,HINGE-DOOR			
R092-58-201A	4				
58-210		HINGE(R),DOOR-UPPER			
FB01-58-210	1				
58-210Z		HINGE(L),DOOR-UPPER			
FB01-59-210	1				
58-225		BOLT,SETTING-HINGE LOWER			
B455-58-225	8				
58-225A		BOLT,SETTING			
*S085-58-225	4				
58-226		WASHER,SETTING			
GJ21-58-226	4				
58-240		HINGE(R),DOOR-LOWER			
R156-58-240	1				
58-240Z		HINGE(L),DOOR-LOWER			
B156-59-240	1				
58-495		BOLT,SET			
BA54-58-225	4				



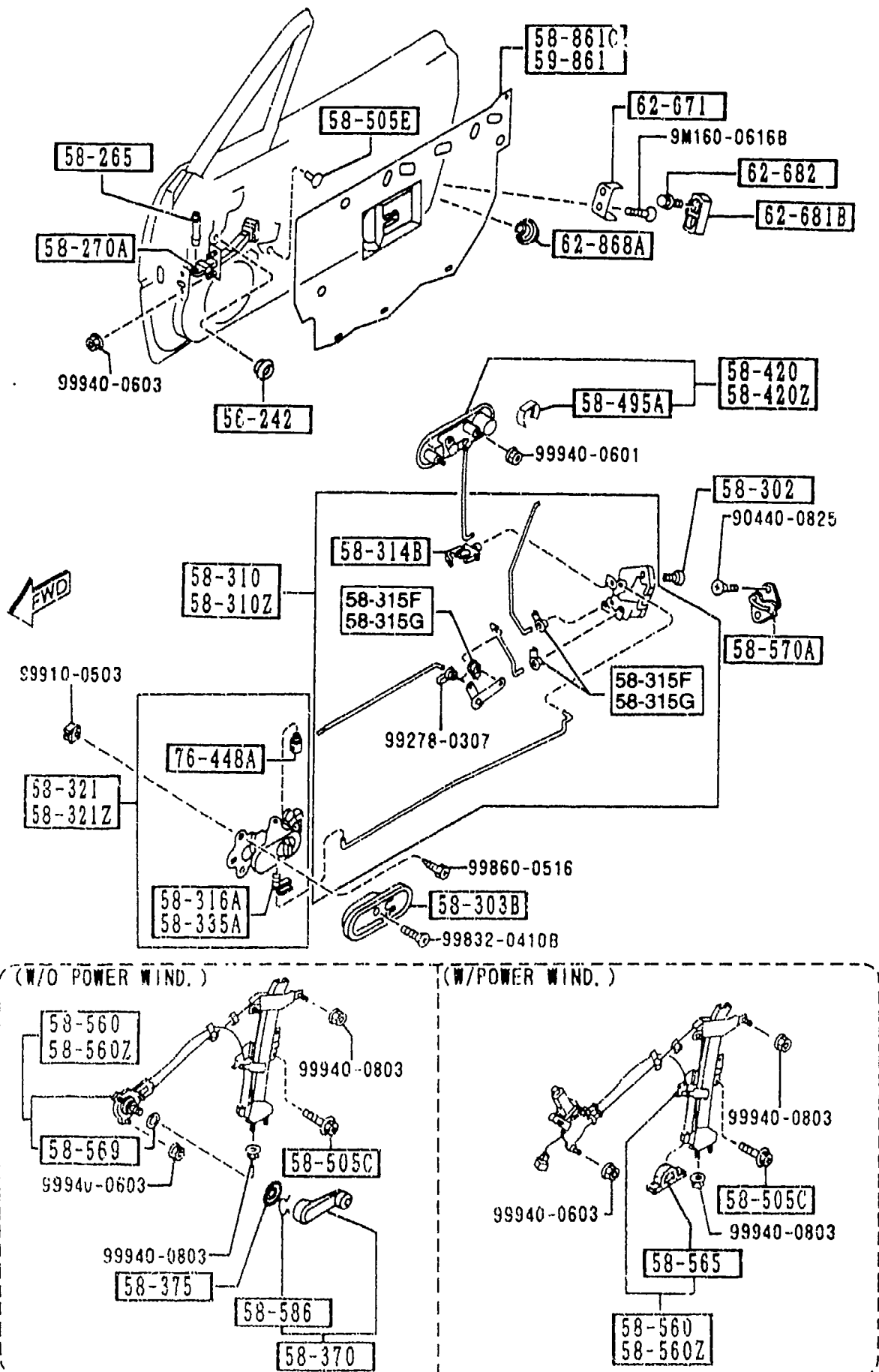
PART NO.	QTY	MODEL/RESTRICTION	MODEL/RESTRICTION	MODEL/RESTRICTION	FORM-TO
58-500		GLASS(R), DOOR-FRT			
NA01-58-510	1	('95 MODEL)			-6201
NA01-58-510	1	('96 MODEL)			6201-
NB39-58-510	1	('96 MODEL)			
58-506Z		GLASS(L), DOOR-FRT			
NA01-59-510	1	('95 MODEL)			-6201
NA01-59-510	1	('96 MODEL)			6201-
NB39-59-510	1	('96 MODEL)			
58-502C		GROMMET, SCREW			
B235-58-502	2				
58-502D		GROMMET, SCREW-DOOR & GLASS			
UB39-58-502A	4				
58-505C		SCREW, WINDOW REGULATOR			
B092-58-505	6				
58-602		GUIDE'B'(R), GLASS			
NA01-58-603D	1				
58-602Z		GUIDE'B'(L), GLASS			
NA01-59-603D	1				
58-604		CHANNEL(R), DIVISION-DOOR			
NA01-58-604B	1				
58-604Z		CHANNEL(L), DIVISION-DOOR			
NA01-59-604B	1				
58-651		WEATHERSTRIP(R)			
NA01-58-651A	1				
58-651Z		WEATHERSTRIP(L)			
NA01-59-651A	1				
58-661		GLASS(R), VENTILATOR			
NA01-58-661	1	('95 MODEL)			-6201
NA01-58-661	1	('96 MODEL)			
6201 NA3** -711421					



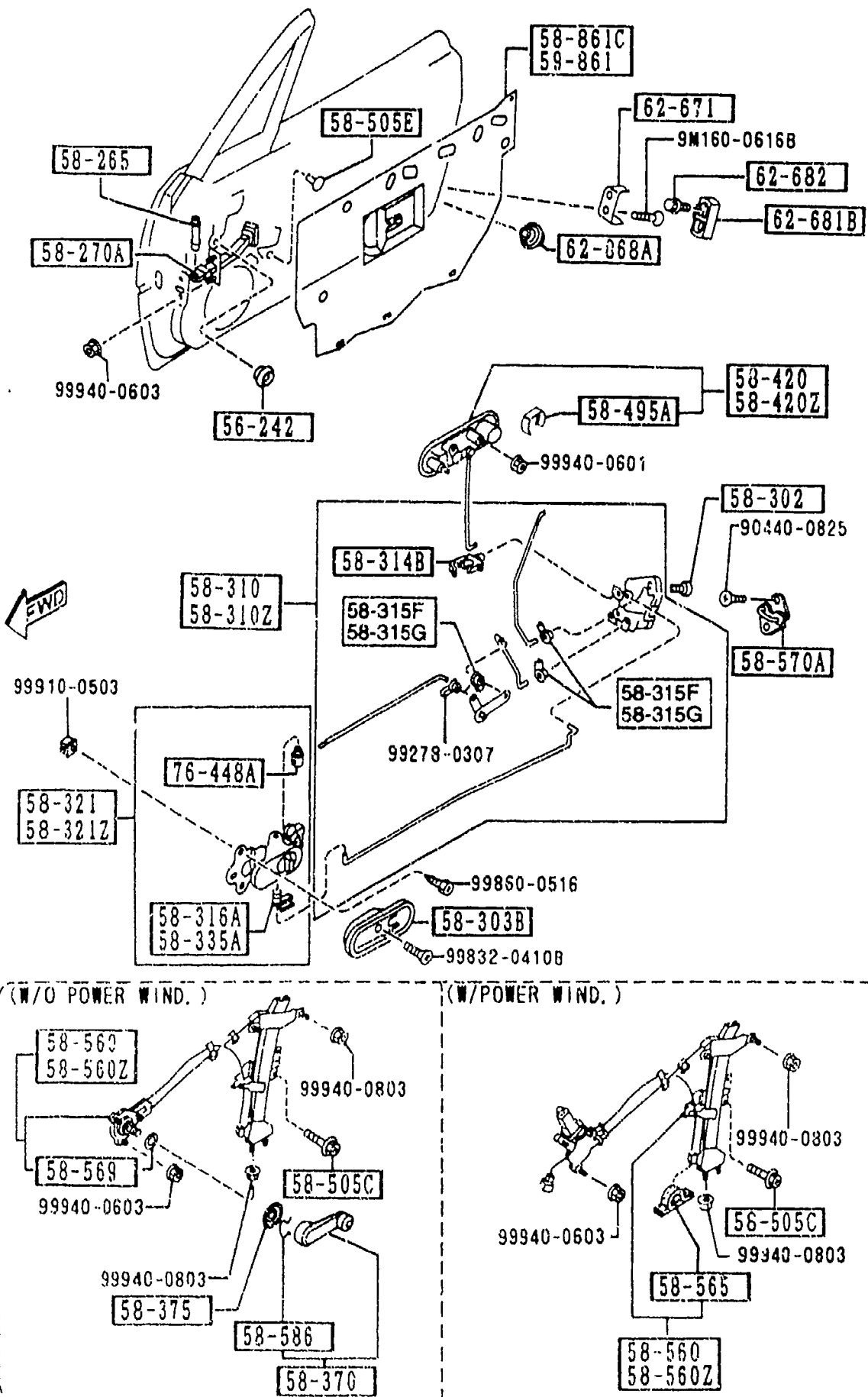
PART NO.	QTY	MODEL/RESTRICTION	MODEL/RESTRICTION	MODEL/RESTRICTION	FROM-TO
CONT'D					
NB39-58-661	1	('96 MODEL)			6201-
58-661Z		GLASS(L), VENTILATOR			
NA01-59-661	1	('95 MODEL)			-6201
NA01-59-661	1	('96 MODEL)			6201-
NB39-59-661	1	('96 MODEL)			
58-760		WEATHERSTRIP(R), DOOR			-6118
NA01-58-760E AN(NA01-58-760F)	1				6118-6501
*NA01-58-760F AN(NA01-58-760G)	1				6501-
*NA01-58-760G	1				
58-760Z		WEATHERSTRIP(L), DOOR			-6118
NA01-59-760E AN(NA01-59-760F)	1				6118-6501
*NA01-59-760F AN(NA01-59-760G)	1				6501-
*NA01-59-760G	1				
58-762		FASTENER			
G031-58-762	42				
58-772A		FASTENER			
1011-58-772	4				
58-910		STOPPER, GLASS			
H272-58-911	4				
68-911		WELT, SEAMING			
NA01-68-911	2				
00	INT-	NA3 NA4 NA5 NA6 NA7 NA8 BLACK			
6118	NA3**	-709942			
6201	NA3**	-711421			
6501	NA3**	-718684			



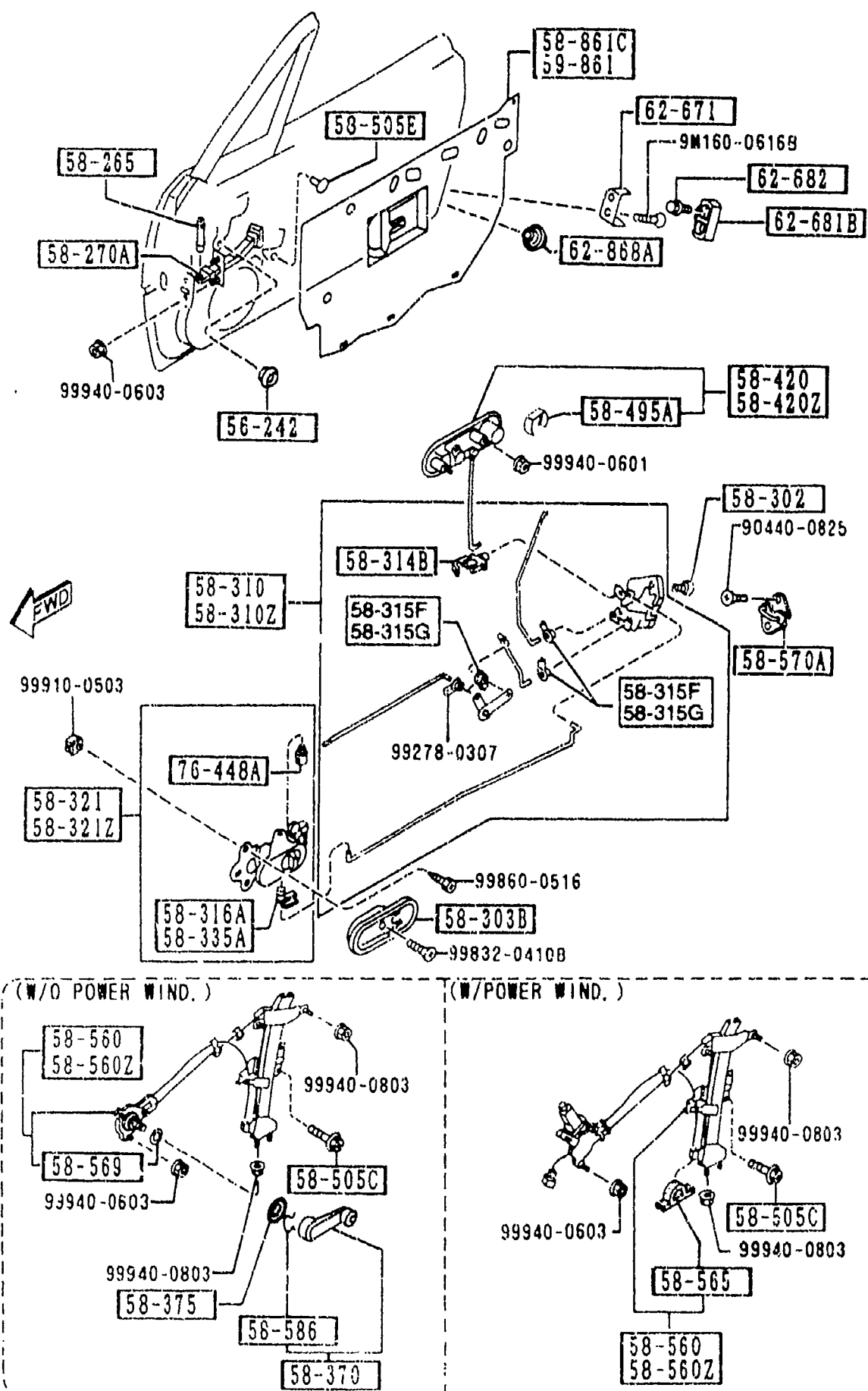
PART NO.	QTY	MODEL/RESTRICTION	MODEL/RESTRICTION	MODEL/RESTRICTION	FROM-TO
56-242		PLUG, DRAIN			
0118-56-242B	2				
58-265		PIN, CHECKER			
BC1D-58-265	2				
58-270A		CHECKER, DOOR			
NA01-58-270A AN(NA01-58-270B)	2				-5401
NA01-58-270B	2				5401-
58-302		SCREW, TAPPING-DOOR LOCK			
HG30-58-302A	6				
58-303B		COVER, INNER HANDLE			
NA01-58-303	2				
00	INT-	NA3 NA4 NA5 NA6 NA7 NAB BLACK			
58-310		LOCK(R), DOOR			
NA01-58-310B	1				
58-310Z		LOCK(L), DOOR			
NA01-59-310B	1				
58-314B		JOINT			
H043-72-411	2				
58-315F		CLIP(R), LOCK			
G030-59-315	3				
58-315G		CLIP(L), LOCK			
G030-58-315	3				
58-316A		CLIP			
B001-50-335	1				
58-321		HANDLE(R), INNER			
NA01-58-330C	1				
00	INT-	NA3 NA4 NA5 NA6 NA7 NAB BLACK			
5401 NA35* -619598					



PART NO.	QTY	MODEL/RESTRICTION	MODEL/RESTRICTION	MODEL/RESTRICTION	FROM-TO
58-321Z		HANDLE(L), INNER			
NA01-59-330C	1				
00	INT-	NA3 NA4 NA5 NA6 NA7 NA8 BLACK			
58-335A		CLIP			
FB01-58-335	1				
58-370		HANDLE, REGULATOR			
5084-58-580A	2	BASE, R-PKG, PKG-A, (W/O POWER WIND.)			
00	INT-	NA3 NA4 NA5 NA6 NA7 NA8 BLACK			
58-375		ESCUTCHEON			
B001-58-582A	2	BASE, R-PKG, PKG-A, (W/O POWER WIND.)			
00	INT-	NA3 NA4 NA5 NA6 NA7 NA8 BLACK			
58-420		HANDLE(R), OUT.			
NA01-58-410D	1				
58-420Z		HANDLE(L), OUT.			
NA01-59-410D	1				
58-495A		RETAINER, LOCK CYL.			
G211-58-495	2				
58-505C		SCREW, WINDOW REGULAT UR			
B092-58-505	6				
58-505E		CAP			
B092-58-355	2	BASE, R-PKG, PKG-A, (W/O POWER WIND.)			
58-560		REGULATOR(R), WINDOW			
NA01-58-560F AN(NA01-58-560G)	1	BASE, R-PKG, PKG-A, (W/O POWER WIND.)			-4901
NA02-58-560H AN(NA02-58-560J)	1	M-25-ED, P.E.GR, L-P KG, PKG-B, PKG-C, (W/POWER WIND.)			-4901
NA01-58-560G A(NA01-58-560H)	1	BASE, R-PKG, PKG-A, (W/O POWER WIND.)			4901-4801
4901 NA35*		-602618			
4801 NA35*		-606043			

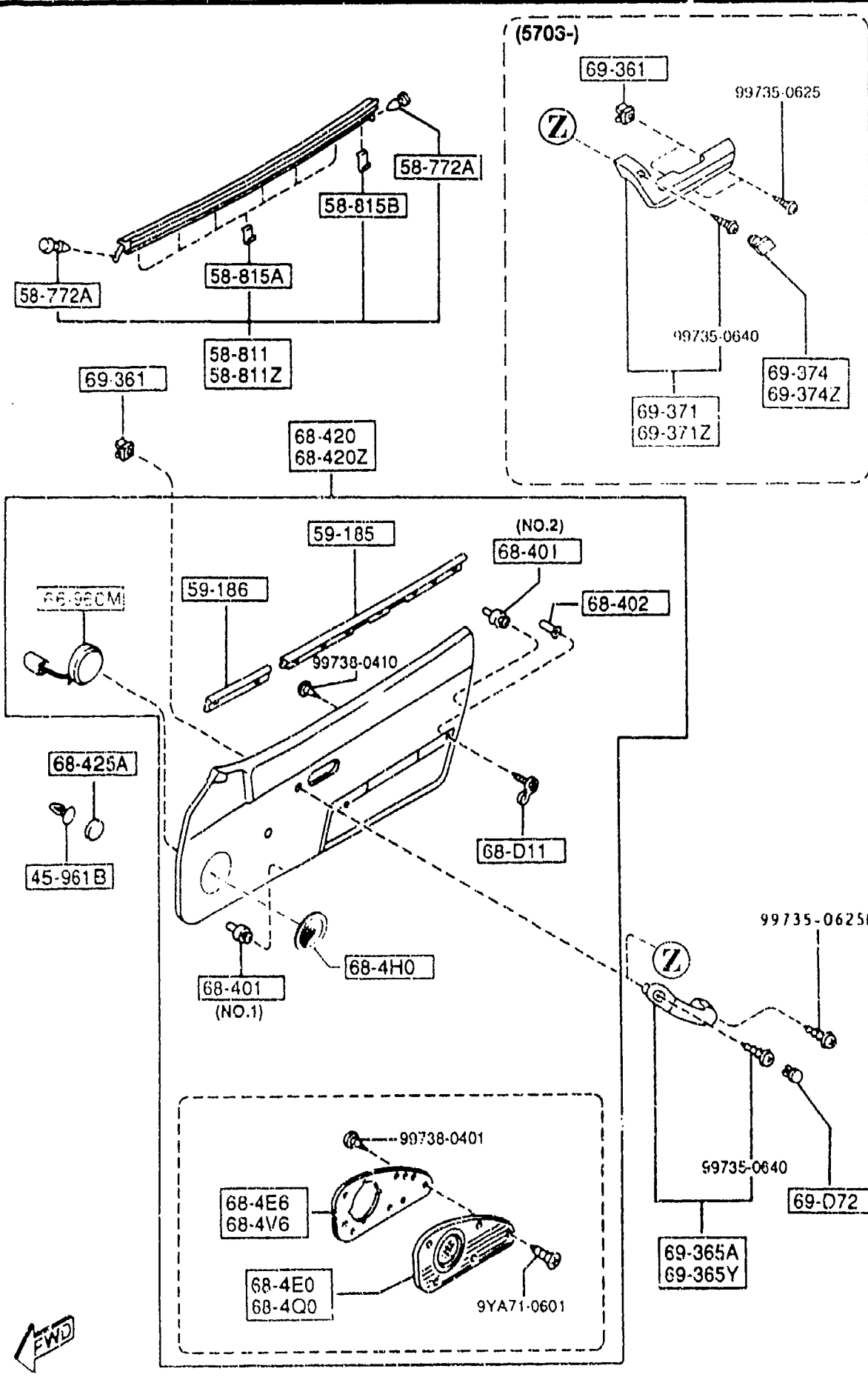


PART NO.	QTY	MODEL/RESTRICTION	MODEL/RESTRICTION	MODEL/RESTRICTION	FROM-TO
CONT'D					
NA02-58-560J A (NA02-58-560K)	1	M-25-ED, P.E.GR, L-P KG, PKG-B, PKG-C, (W/POWER WIND.)			4901-4B01
NA01-58-560H	1	BASE, R-PKG, PKG-A, (W/O POWER WIND.)			4B01-
NA02-58-560K	1	M-25-ED, P.E.GR, L-P KG, PKG-B, PKG-C, (W/POWER WIND.)			4B01-
-----+   58-560Z   +-----+		REGULATOR(L), WINDOW			
NA01-59-560F AN(NA01-59-560G)	1	BASE, R-PKG, PKG-A, (W/O POWER WIND.)			-4901
NA02-59-560H AN(NA02-59-560J)	1	M-25-ED, P.E.GR, L-P KG, PKG-B, PKG-C, (W/POWER WIND.)			-4901
NA01-59-560G A (NA01-59-560H)	1	BASE, R-PKG, PKG-A, (W/O POWER WIND.)			4901-4B01
NA02-59-560J A (NA02-59-560K)	1	M-25-ED, P.E.GR, L-P KG, PKG-B, PKG-C, (W/POWER WIND.)			4901-4B01
NA01-59-560H	1	BASE, R-PKG, PKG-A, (W/O POWER WIND.)			4B01-
NA02-59-560K	1	M-25-ED, P.E.GR, L-P KG, PKG-B, PKG-C, (W/POWER WIND.)			4B01-
-----+   58-565   +-----+		RUBBER, STOPPER			
HG30-58-565	2	M-25-ED, P.E.GR, L-P KG, PKG-B, PKG-C, (W/POWER WIND.)			
-----+   58-569   +-----+		GASKET, WINDOW REGULA TOR			
B092-58-569	2	BASE, R-PKG, PKG-A, (W/O POWER WIND.)			
-----+   58-570A   +-----+		STRIKER			
B001-58-361A	2				
-----+   58-586   +-----+		RING, SNAP			
B001-58-585	2	BASE, R-PKG, PKG-A, (W/O POWER WIND.)			
-----+   58-861C   +-----+		SCREEN(R), FRONT DOOR			
NA01-58-861A	1	BASE, R-PKG, PKG-A, (W/O POWER WIND.)			
NA02-58-861A	1	M-25-ED, P.E.GR, L-P KG, PKG-B, PKG-C, (W/POWER WIND.)			
4901 NA35* -602618 4B01 NA35* -606043					



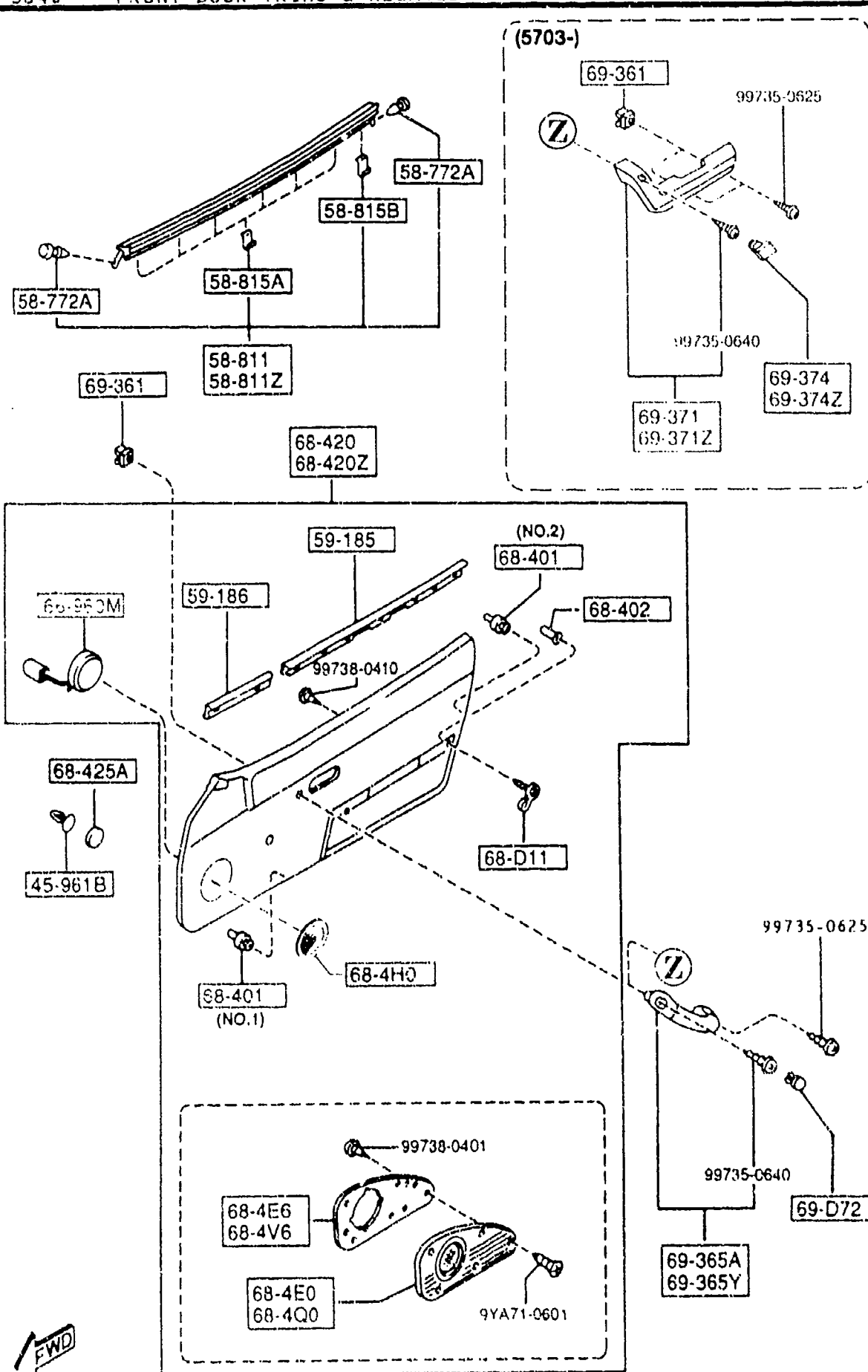
PART NO.	QTY	MODEL/RESTRICTION	MODEL/RESTRICTION	MODEL/RESTRICTION	FROM-TO
59-861		SCREEN(L),FRONT DOOR			
NA01-59-861A	1	BASE, R-PKG, PKG-A, (W/O POWER WIND.)			
NA02-59-861A	1	M-25-ED, P.E.GR, L-P KG, PKG-B, PKG-C, (W/POWER WIND.)			
62-671		DOVETAIL,LIFT GATE			
S084-62-671	2				
62-681B		WEDGE,DOOR-FRONT			
NA01-62-681	2				
62-682		SCREW,WEDGE-LIFT GATE			
8216-62-682	4				
62-868A		COVER,HOLE-LIFT GATE			
B499-62-868	2				-4901
76-448A		CLIP			
G030-76-448	2				
4901 NA35* -602618					



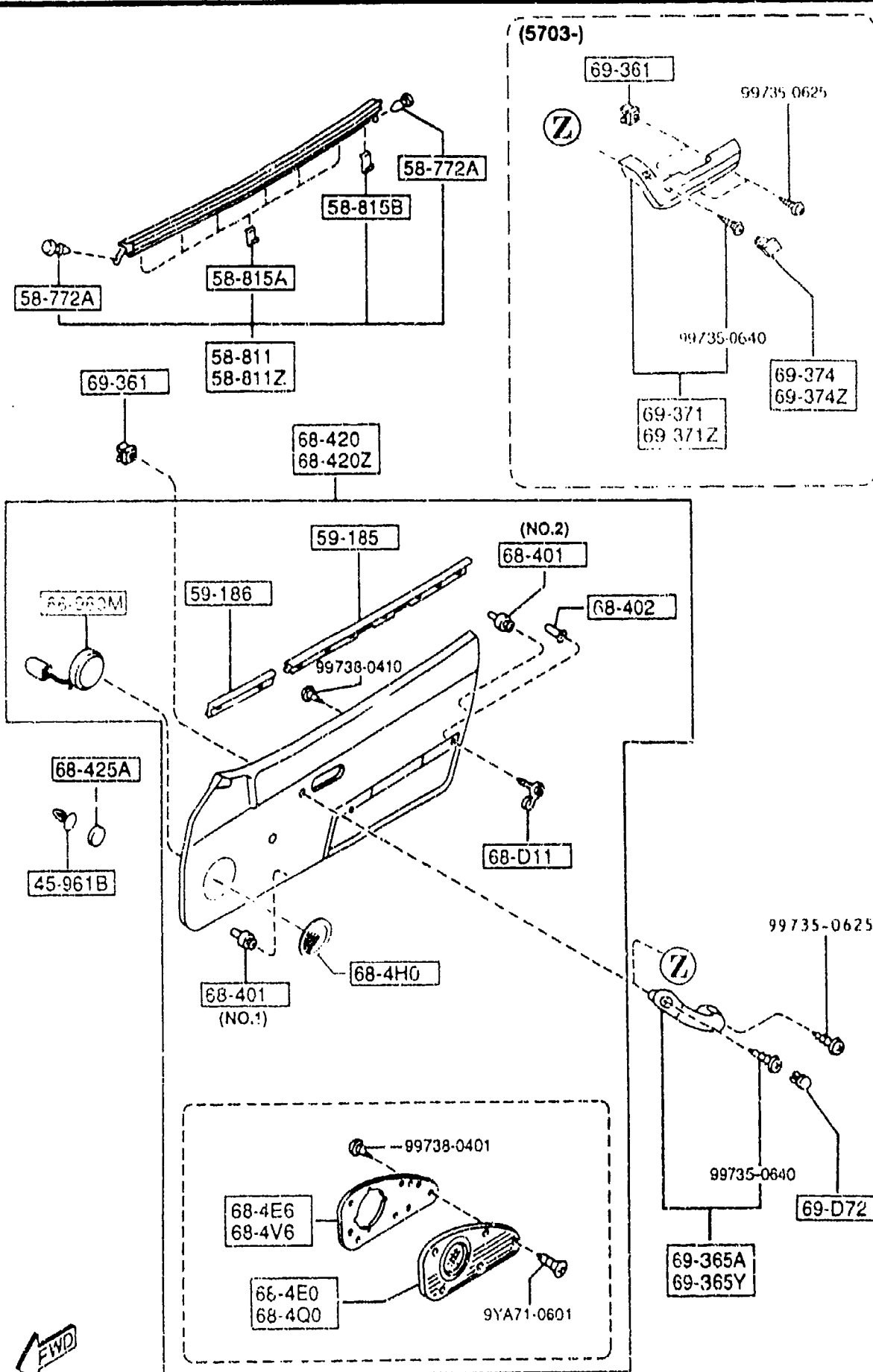


PART NO	QTY	MODEL/RESTRICTION	MODEL/RESTRICTION	MODEL/RESTRICTION	FROM-TO
45-961B		CAP			
H002-45-961	2	(TDA-PLASTIC KICKPLATE)			4817
H002-45-961	4	OPT, (TDB-STAINLESS KICKPLATE)			-4817
H002-45-961	6	OPT, (TDB-STAINLESS KICKPLATE)			4817-5703
H002-45-961	4	(TDA-PLASTIC KICKPLATE)			4817-5703
H002-45-961	4				5703-
58-772A		FASTENER			
1011-58-772	4				
58-811		WEATHERSTRIP(R), OUT.			
NA01-58-810D	1				
58-811Z		WEATHERSTRIP(L), OUT.			
NA01-59-810D	1				
58-815A		CLIP, WEATHERSTRIP-OUTER			
NA01-58-815	12				
58-815B		CLIP 'A', WEATHERSTRIP-OUT			
B157-58-815	2				
59-185		WEATHERSTRIP NO.1			
NA01-58-821	2				
59-186		WEATHERSTRIP NO.2			
NA02-58-821	2				
66-960M		SPEAKER, LOUD-DOOR			
N026-66-960	2	M-25-ED, (W/TWEETER SPEAKER)			-5703
N035-66-960	2	L-PKG-OPT, (W/SENSORY SOUND)			-5703
NB42-66-960	2	(W/TWEETER SPEAKER)			5703-
68-D11		CAP, SCREW			
B501-68-D11R	2				-5703

4817 NA3\*\* -500407  
5703 NA3\*\* -700001

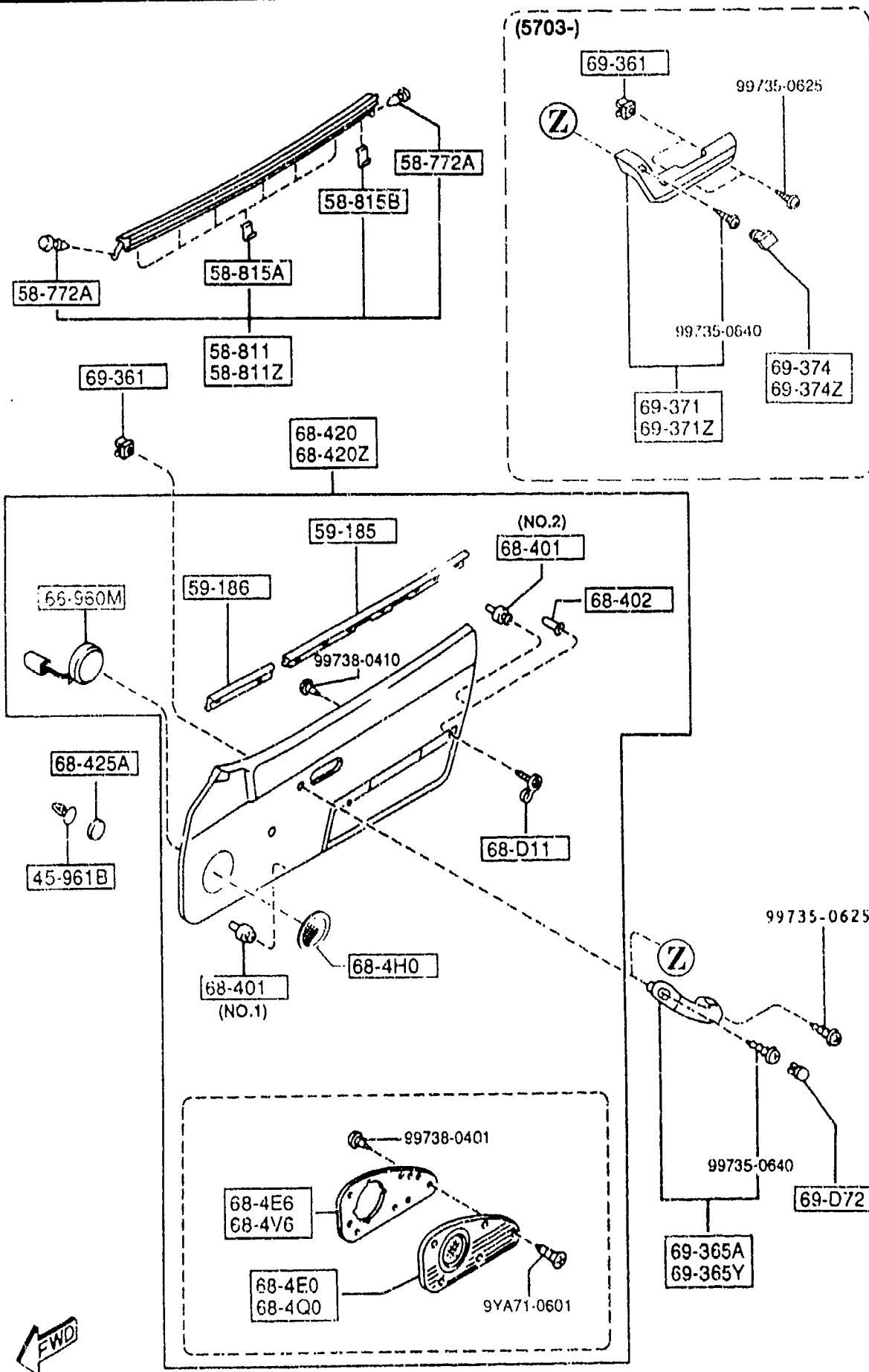


PART NO.	QTY	MODEL/RESTRICTION	MODEL/RESTRICTION	MODEL/RESTRICTION	FROM-TO
CONT'D					
00	INT-	NA3 BLACK			
67	INT-	NA4 NA5 TAN			
		68-4E0	PLATE(R), KICK-D. TRIM		
N020-68-4E1A	1	OPT, (TDB-STAINLESS KICKP LATE)			-5703
		68-4E6	PLATE(R)		
N020-68-4E6	1	OPT, (TDB-STAINLESS KICKP LATE)			-5703
		68-4HQ	GRILLE, SPEAKER-FRT		
B501-68-4H3	2	(TDA-PLASTIC KICKPLA TE)			-5703
02	INT-	NA3 NA4 NA5 BLACK			
BR72-68-3S0A	2	(W/POWER WIND.+W/C.D )			5703-
60	INT-	NA3 NA5 DARK GRAY/OFF-BLACK			
A004-68-5H0	2	(W/POWER WIND.+W/O C .D.)			5703-
00	INT-	NA3 NA5 BLACK			
A004-68-5H0	2	BASE, R-PKG, PKG-A. (W/O POWER WIND.)			5703-
00	INT-	NA3 NA5 BLACK			
		68-4Q0	PLATE(L), KICK-D. TRIM		
N020-68-4V1A	1	OPT, (TDB-STAINLESS KICKP LATE)			-5703
		68-4V6	PLATE(L)		
N020-68-4V6	1	OPT, (TDB-STAINLESS KICKP LATE)			-5703
		68-4Q1	FASTENER, DOOR TRIM		
B100-68-4Q1	14	(ILLUST. NO.1)			
W201-68-4Q1	10	OPT, (ILLUST. NO.2) (TDB-STAINLESS KICKP LATE)			-5703
W201-68-4Q1	12	(ILLUST. NO.2)			-5703
5703 NA3** -700001					



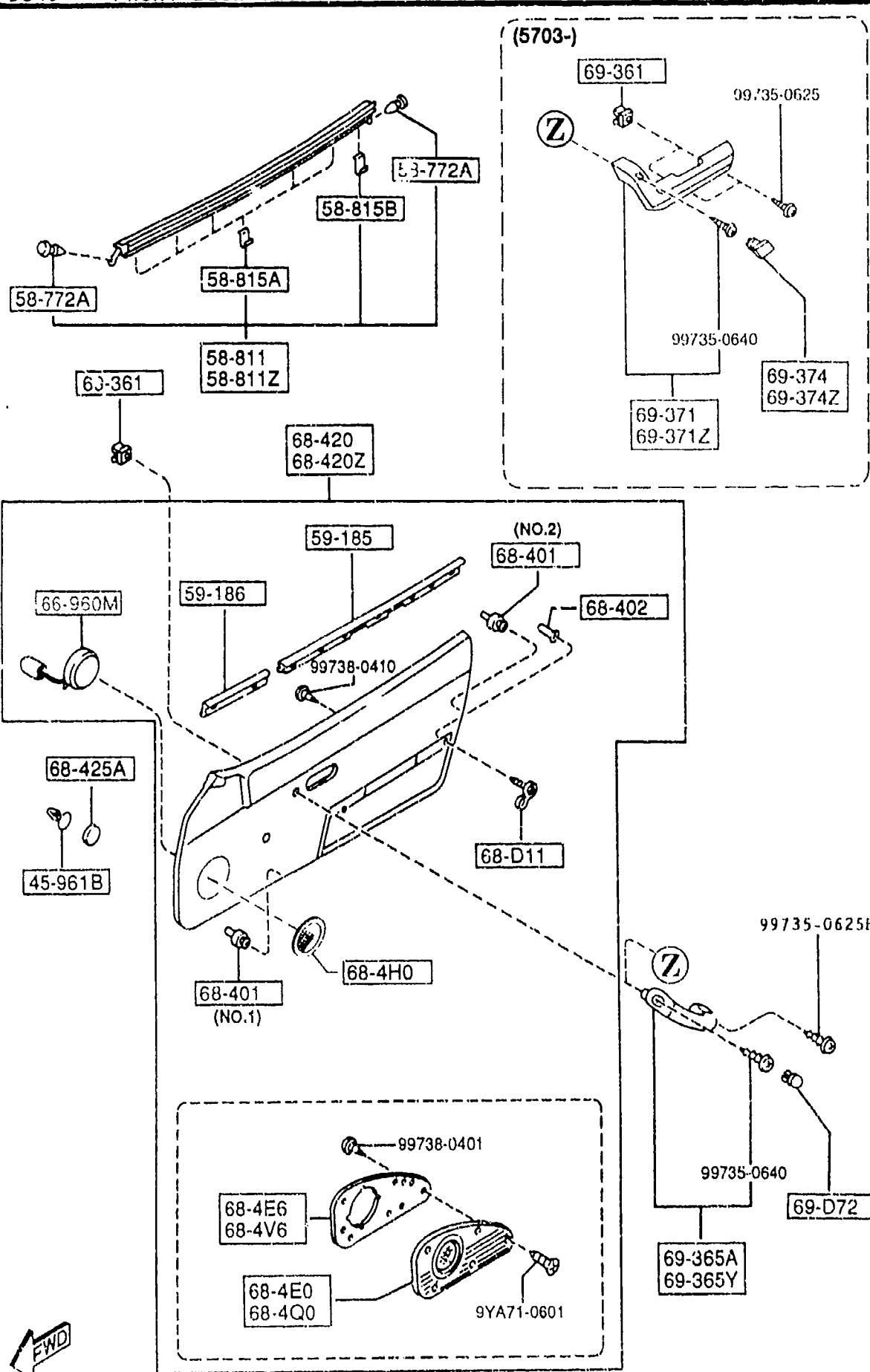
PART NO	QTY	MODEL/RESTRICTION	MODEL/RESTRICTION	MODEL/RESTRICTION	FROM-TO
CONT'D		(TDA-PLASTIC KICKPLATE)			
W201-68-401	12	(ILLUST. NO.2)			5703-
68-402		GROMMET, SCREW			
B110-68-429	2				-5703
68-420		TRIM(R), DOOR			
N026-68-420C	1	(TDB TYPE, W/POWER WINDOW, W/O TWEETER SPK, W/O SENSORY SOUND)			-5106
00	INT-	NA3 BLACK			
80	INT-	NA5 BLACK/TAN			
N028-68-420C	1	BASE, R-PKG, PKG-A, (TDA TYPE, W/O POWER WINDOW, W/O TWEETER SPK, W/O SENSORY SOUND)			-5106
00	INT-	NA3 BLACK			
80	INT-	NA5 BLACK/TAN			
N030-68-420C	1	P.E.GR, L-PKG, PKG-B, PKG-C, (TDA TYPE, W/POWER WINDOW, W/O TWEETER SPK, W/O SENSORY SOUND)			-5106
00	INT-	NA3 BLACK			
80	INT-	NA5 BLACK/TAN			
N032-68-420A	1	(TDA TYPE, W/O POWER WINDOW, W/ TWEETER SPK, W/O SENSORY SOUND)			-5106
00	INT-	NA3 BLACK			
80	INT-	NA5 BLACK/TAN			
N033-68-420A	1	M-25-ED, (TDA TYPE, W/POWER WINDOW, W/ TWEETER SPK, W/O SENSORY SOUND)			-5106
00	INT-	NA3 BLACK			
80	INT-	NA5 BLACK/TAN			
N034-68-420A	1	(TDB TYPE, W/POWER WINDOW, W/ TWEETER SPK, W/O SENSORY SOUND)			-5106
00	INT-	NA3 BLACK			
80	INT-	NA5 BLACK/TAN			
N035-68-420A	1	(TDB TYPE, W/POWER WINDOW, W/O TWEETER SPK, W/O SENSORY SOUND)			-5106
00	INT-	NA3 BLACK			
80	INT-	NA5 BLACK/TAN			

5106 NA3\* -612163  
5703 NA3\*\* -700001



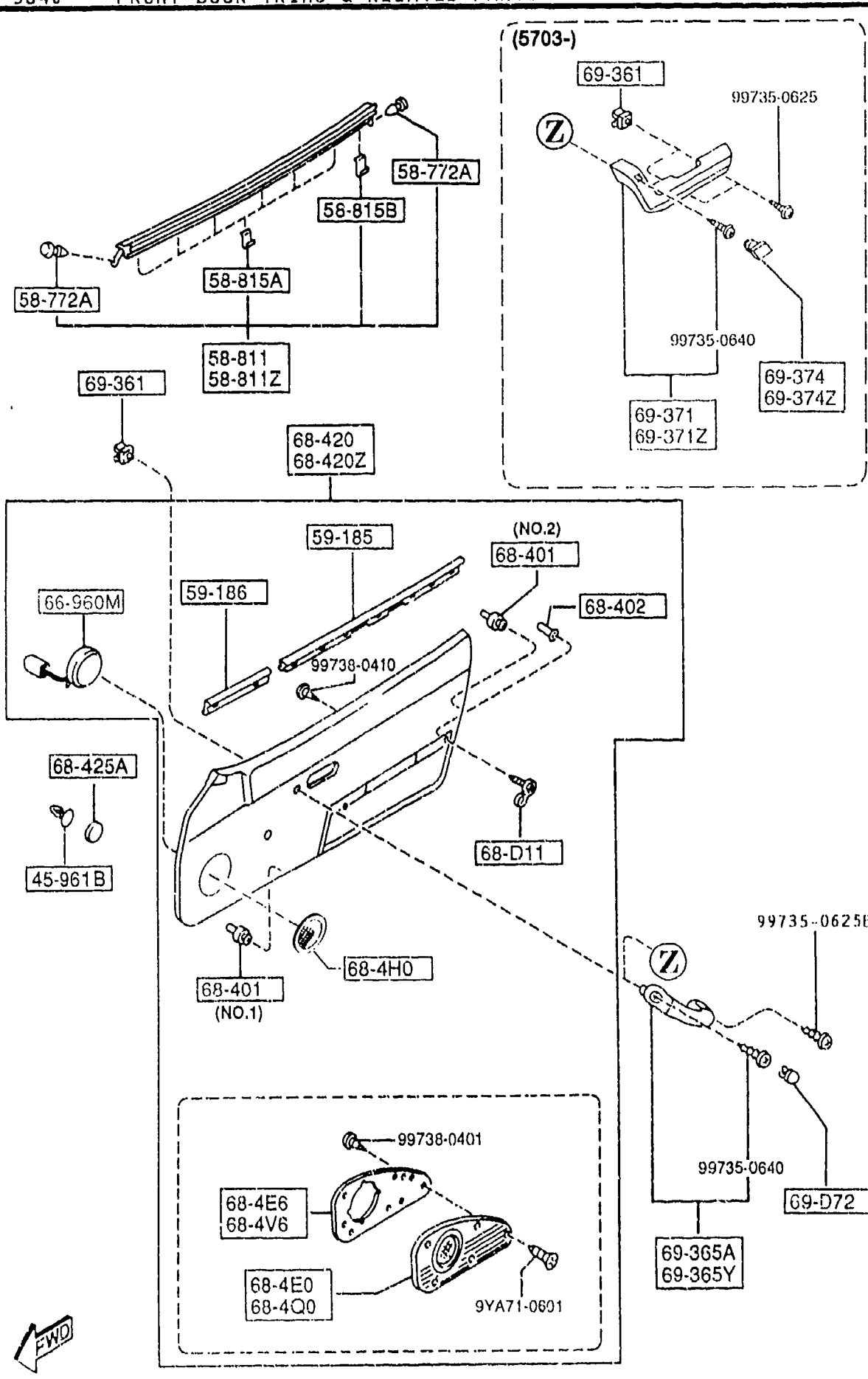
PART NO.	QTY	MODEL/RESTRICTION	MODEL/RESTRICTION	MODEL/RESTRICTION	FROM-TO
CONT'D					
00	INT-	NA3 BLACK			
80	INT-	NA5 BLACK/TAN			
N036-68-420A	1	(TDA TYPE, W/O POWER WIND, W/O TWEETER SPK, W/SENSORY SOUND)			-5106
00	INT-	NA3 BLACK			
80	INT-	NA5 BLACK/TAN			
N037-68-420A	1	L-PKG-OPT PKG-B-OPT, PKG-C-OPT, (TDA TYPE, W/POWER WIND, W/O TWEETER SPK, W/SENSORY SOUND)			-5106
00	INT-	NA3 BLACK			
80	INT-	NA5 BLACK/TAN			
N026-68-420D	1	(TDB TYPE, W/POWER WIND, W/O TWEETER SPK, W/O SENSORY SOUND)			5106-5703
00	INT-	NA3 BLACK			
80	INT-	NA5 BLACK/TAN			
N028-68-420D	1	BASE, R-PKG, PKG-A, (TDA TYPE, W/O POWER WIND, W/O TWEETER SPK, W/O SENSORY SOUND)			5106-5703
00	INT-	NA3 BLACK			
80	INT-	NA5 BLACK/TAN			
N030-68-420D	1	P.E.GR, L-PKG, PKG-B, PKG-C, (TDA TYPE, W/POWER WIND, W/O TWEETER SPK, W/O SENSORY SOUND)			5106-5703
00	INT-	NA3 BLACK			
80	INT-	NA5 BLACK/TAN			
N032-68-420B	1	(TDA TYPE, W/O POWER WIND, W/ TWEETER SPK, W/O SENSORY SOUND)			5106-5703
00	INT-	NA3 BLACK			
80	INT-	NA5 BLACK/TAN			
N033-68-420B	1	M-25-ED, (TDA TYPE, W/POWER WIND, W/ TWEETER SPK, W/O SENSORY SOUND)			5106-5703
00	INT-	NA3 BLACK			
80	INT-	NA5 BLACK/TAN			
N034-68-420B	1	(TDB TYPE, W/POWER WI			5106-5703

5106 NA35\* -612163  
5703 NA3\*\* -700001



PART NO.	QTY	MODEL/RESTRICTION	MODEL/RESTRICTION	MODEL/RESTRICTION	FROM-TO
CONT'D		ND,W/ TWEETER SPK,W/O SENSORY SOUND)			
00	INT-	NA3 BLACK			
80	INT-	NA5 BLACK/TAN			
N035-68-420B	1	(TDB TYPE,W/POWER WIND,W/O TWEETER SPK,W/SENSORY SOUND)			5106-5703
00	INT-	NA3 BLACK			
80	INT-	NA5 BLACK/TAN			
N036-68-420B	1	(TDA TYPE,W/O POWER WIND,W/O TWEETER SPK,W/SENSORY SOUND)			5106-5703
00	INT-	NA3 BLACK			
80	INT-	NA5 BLACK/TAN			
N037-68-420B	1	L-PKG-OPT PKG-R-OPT, PKG-C-OPT, (TDA TYPE,W/POWER WIND,W/O TWEETER SPK,W/SENSORY SOUND)			5106-5703
00	INT-	NA3 BLACK			
80	INT-	NA5 BLACK/TAN			
NB38-68-420A	1	BASE, R-PKG, PKG-A, (W/O POWER WIND,W/O TWEETER SPK)			5703-
00	INT-	NA3 NA7 BLACK			
NB39-68-420A	1	P.E.GR, L-PKG, PKG-B, PKG-C, (W/POWER WIND,W/O TWEETER SPK.)			5703-
00	INT-	NA3 BLACK			
80	INT-	NA5 BLACK/TAN			
NB44-68-420A	1	OPT, (W/O POWER WIND,W/TWEETER SPK.)			5703-
00	INT-	NA3 NA7 BLACK			
NB56-68-420	1	OPT, (W/POWER WIND,W/TWEETER SPK.)			5703-
00	INT-	NA3 BLACK			
80	INT-	NA5 BLACK/TAN			
+-----+					
+ 68-420Z +		TRIM(L), DOOR			
+-----+					
N026-68-450C	1	(TDB TYPE,W/POWER WIND,W/O TWEETER SPK,W/O SENSORY SOUND)			-5106

5106 NA35\* -612163  
5703 NA3\*\* -700001

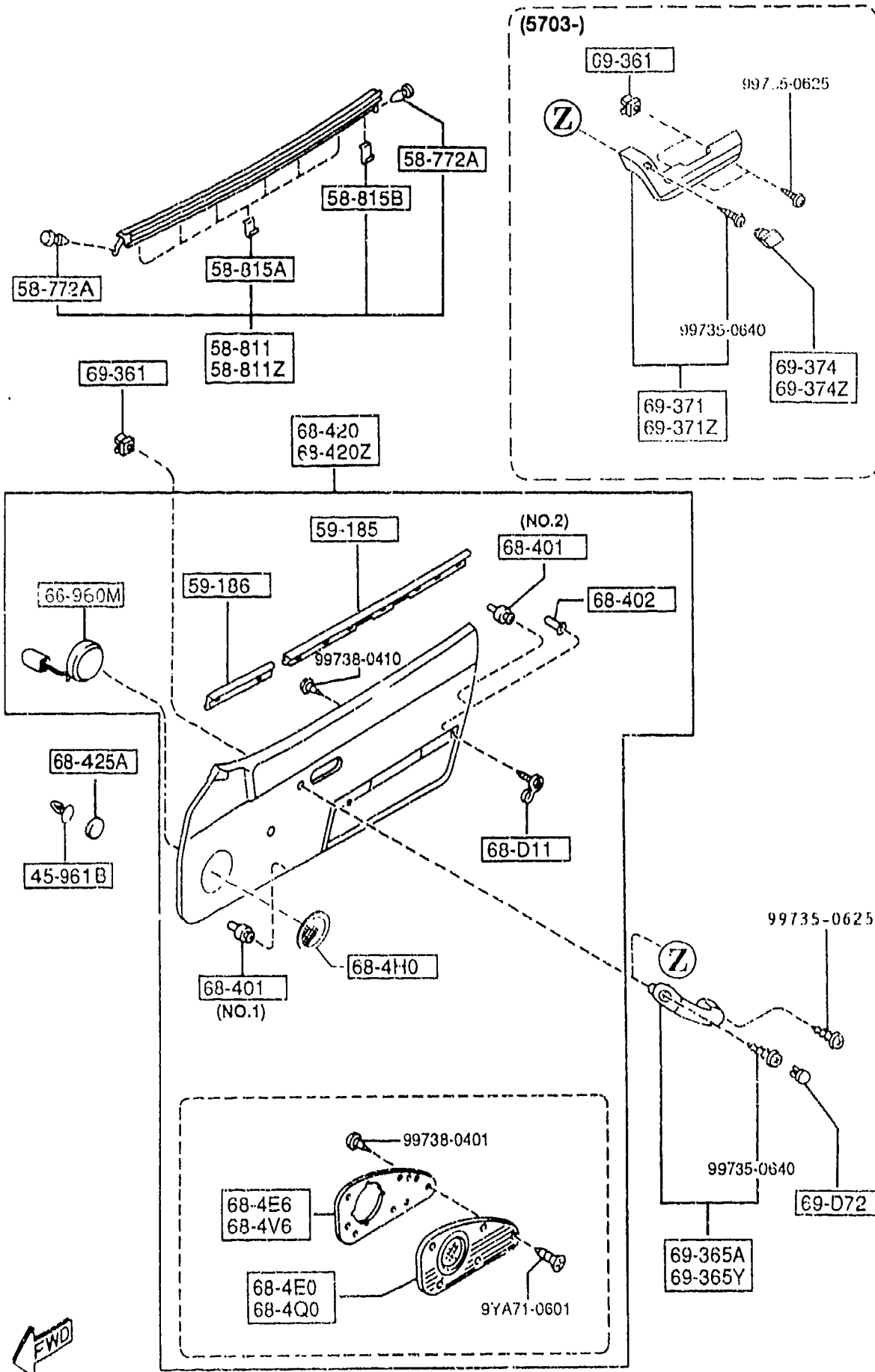


PART NO.	QTY	MODEL/RESTRICTION	MODEL/RESTRICTION	MODEL/RESTRICTION	FROM-TO
CONT'D					
00	INT-	NA3 BLACK			
80	INT-	NA5 BLACK/TAN			
N028-68-450C	1	BASE, R-PKG, PKG-A, (TDA TYPE, W/O POWER WIND, W/O TWEETER SPK, W/O SENSORY SOUND)			-5106
00	INT-	NA3 BLACK			
80	INT-	NA5 BLACK/TAN			
N030-68-450C	1	F.E.GR, L-PKG, PKG-B, PKG-C, (TDA TYPE, W/POWER WIND, W/O TWEETER SPK, W/O SENSORY SOUND)			-5106
00	INT-	NA3 BLACK			
90	INT-	NA5 BLACK/TAN			
N032-68-450A	1	(TDA TYPE, W/O POWER WIND, W/ TWEETER SPK, W/O SENSORY SOUND)			-5106
00	INT-	NA3 BLACK			
80	INT-	NA5 BLACK/TAN			
N033-68-450A	1	M-25-ED, (TDA TYPE, W/POWER WIND, W/ TWEETER SPK, W/O SENSORY SOUND)			-5106
00	INT-	NA3 BLACK			
80	INT-	NA5 BLACK/TAN			
N034-68-450A	1	(TDB TYPE, W/POWER WIND, W/ TWEETER SPK, W/O SENSORY SOUND)			-5106
00	INT-	NA3 BLACK			
80	INT-	NA5 BLACK/TAN			
N035-68-450A	1	(TDB TYPE, W/POWER WIND, W/O TWEETER SPK, W/ SENSORY SOUND)			-5106
00	INT-	NA3 BLACK			
80	INT-	NA5 BLACK/TAN			
N036-68-450A	1	(TDA TYPE, W/O POWER WIND, W/O TWEETER SPK, W/ SENSORY SOUND)			-5106
00	INT-	NA3 BLACK			
80	INT-	NA5 BLACK/TAN			
N037-68-450A	1	L-PKG-OPT PKG-B-OPT, PKG-C-OPT, (TDA TYPE, W/POWER WIND, W/O TWEETER SPK, W/O SENSORY SOUND)			-5106

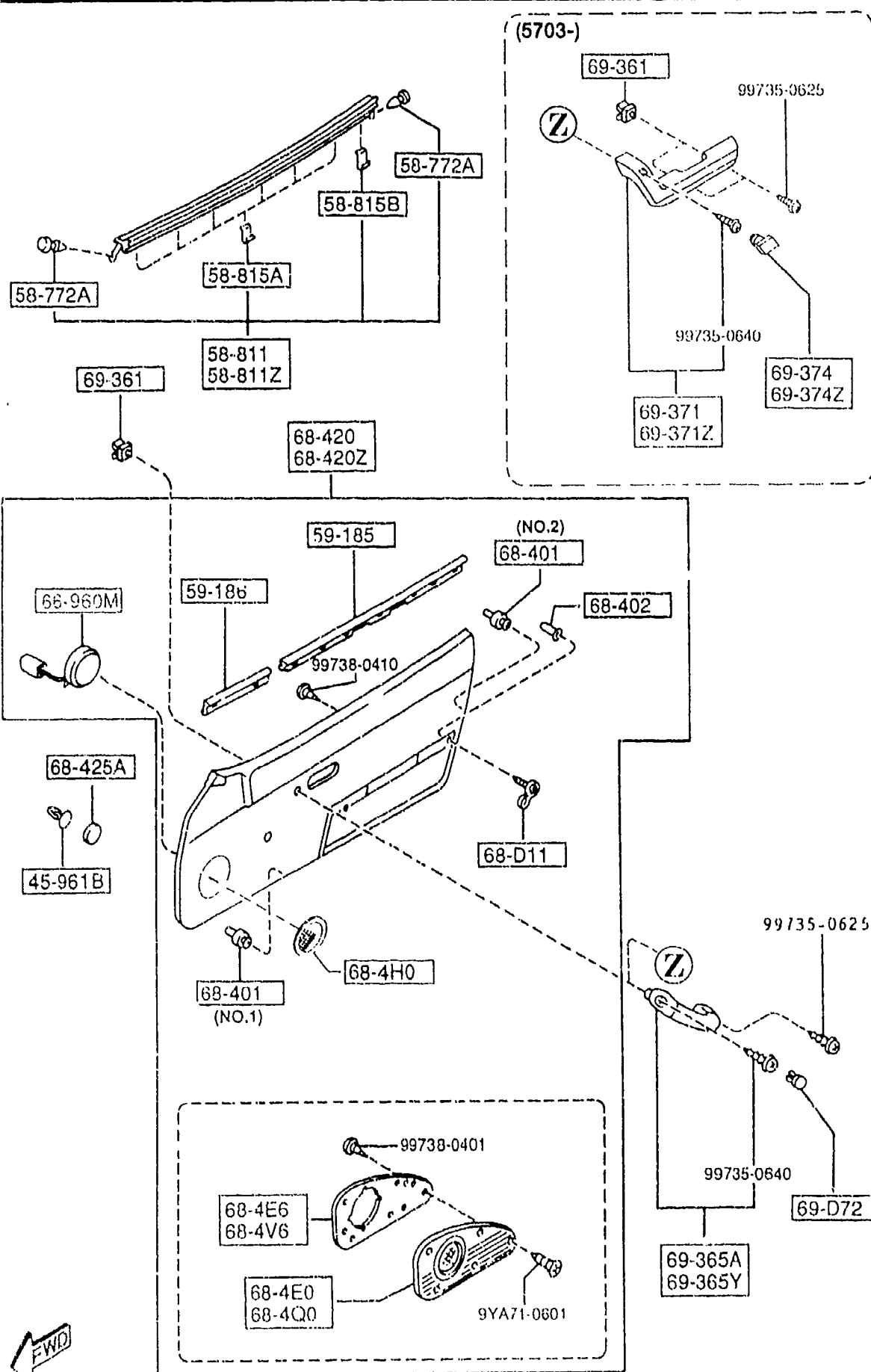
5106 NA35\* -612163

5840 FRONT DOOR TRIMS & RELATED PARTS

5840 -7 FRONT DOOR TRIMS & RELATED PARTS

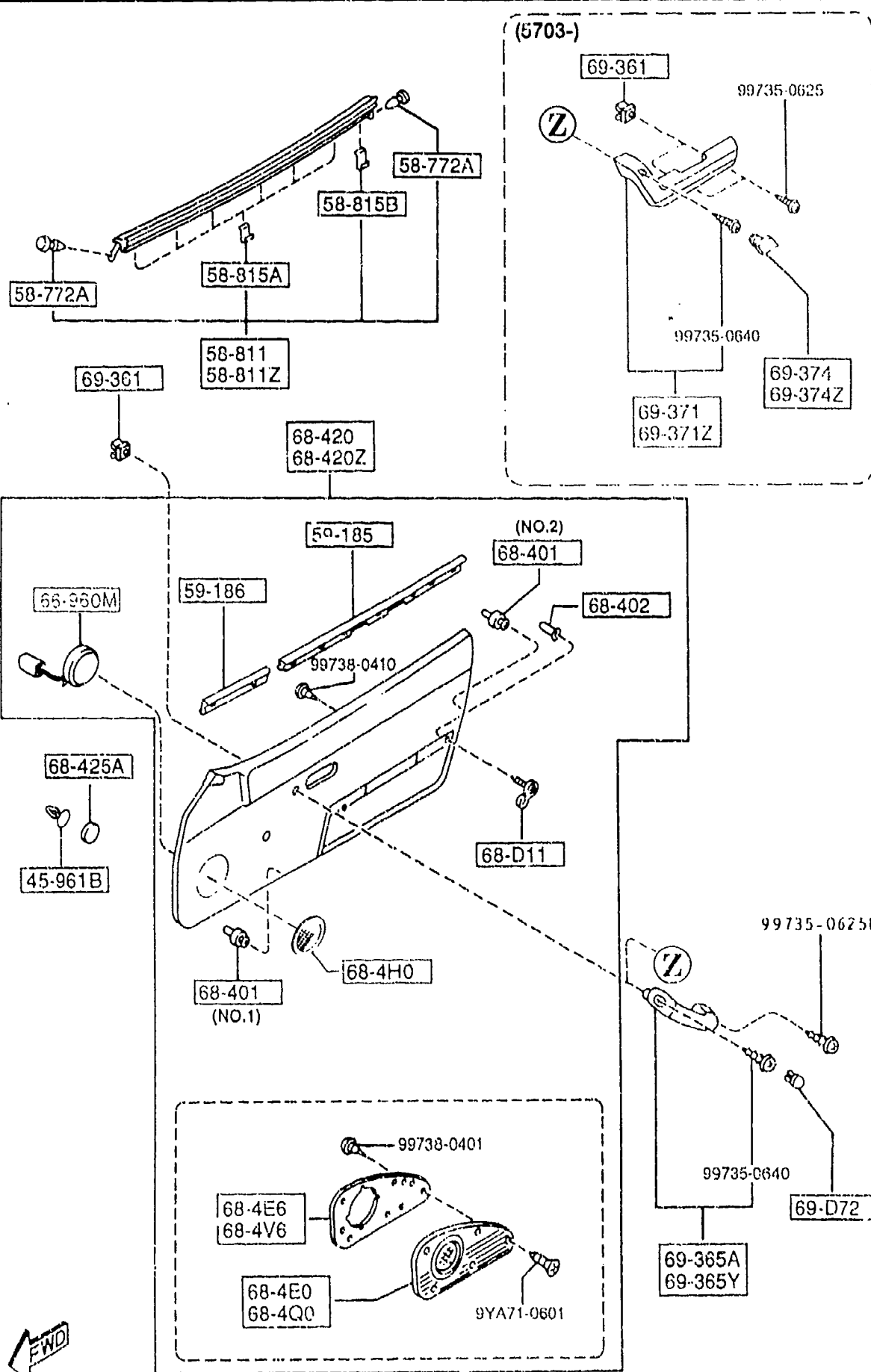


PART NO.	QTY	MODEL/RESTRICTION	MODEL/RESTRICTION	MODEL/RESTRICTION	FROM-TO
CONT'D					
00	INT-	NA3 BLACK	ND,W/O TWEETER SPK,W /SENSORY SOUND)		
80	INT-	NA5 BLACK/TAN			
N026-68-450D	1	(TDB TYPE,W/POWER WI ND,W/O TWEETER SPK,W /O SENSORY SOUND)			5106-5703
00	INT-	NA3 BLACK			
80	INT-	NA5 BLACK/TAN			
N028-68-450D	1	BASE, R-PKG, PKG-A, (TDA TYPE,W/O POWER WIND,W/O TWEETER SPK ,W/O SENSORY SOUND)			5106-5703
00	INT-	NA3 BLACK			
80	INT-	NA5 BLACK/TAN			
N030-68-450D	1	P.E.GR, L-PKG, PKG-B , PKG-C, (TDA TYPE,W/POWER WI ND,W/O TWEETER SPK,W /O SENSORY SOUND)			5106-5703
00	INT-	NA3 BLACK			
80	INT-	NA5 BLACK/TAN			
N032-68-450B	1	(TDA TYPE,W/O POWER WIND,W/ TWEETER SPK, W/O SENSORY SOUND)			5106-5703
00	INT-	NA3 BLACK			
80	INT-	NA5 BLACK/TAN			
N033-68-450B	1	M-25-ED, (TDA TYPE,W/POWER WI ND,W/ TWEETER SPK,W /O SENSORY SOUND)			5106-5703
00	INT-	NA3 BLACK			
80	INT-	NA5 BLACK/TAN			
N034-68-450B	1	(TDB TYPE,W/POWER WI ND,W/ TWEETER SPK,W /O SENSORY SOUND)			5106-5703
00	INT-	NA3 BLACK			
80	INT-	NA5 BLACK/TAN			
N035-68-450B	1	(TDB TYPE,W/POWER WI ND,W/O TWEETER SPK,W /SENSORY SOUND)			5106-5703
00	INT-	NA3 BLACK			
80	INT-	NA5 BLACK/TAN			
N036-68-450B	1	(TDA TYPE,W/O POWER			5106-5703
5106 NA35* -612163					
5703 NA3** -700001					



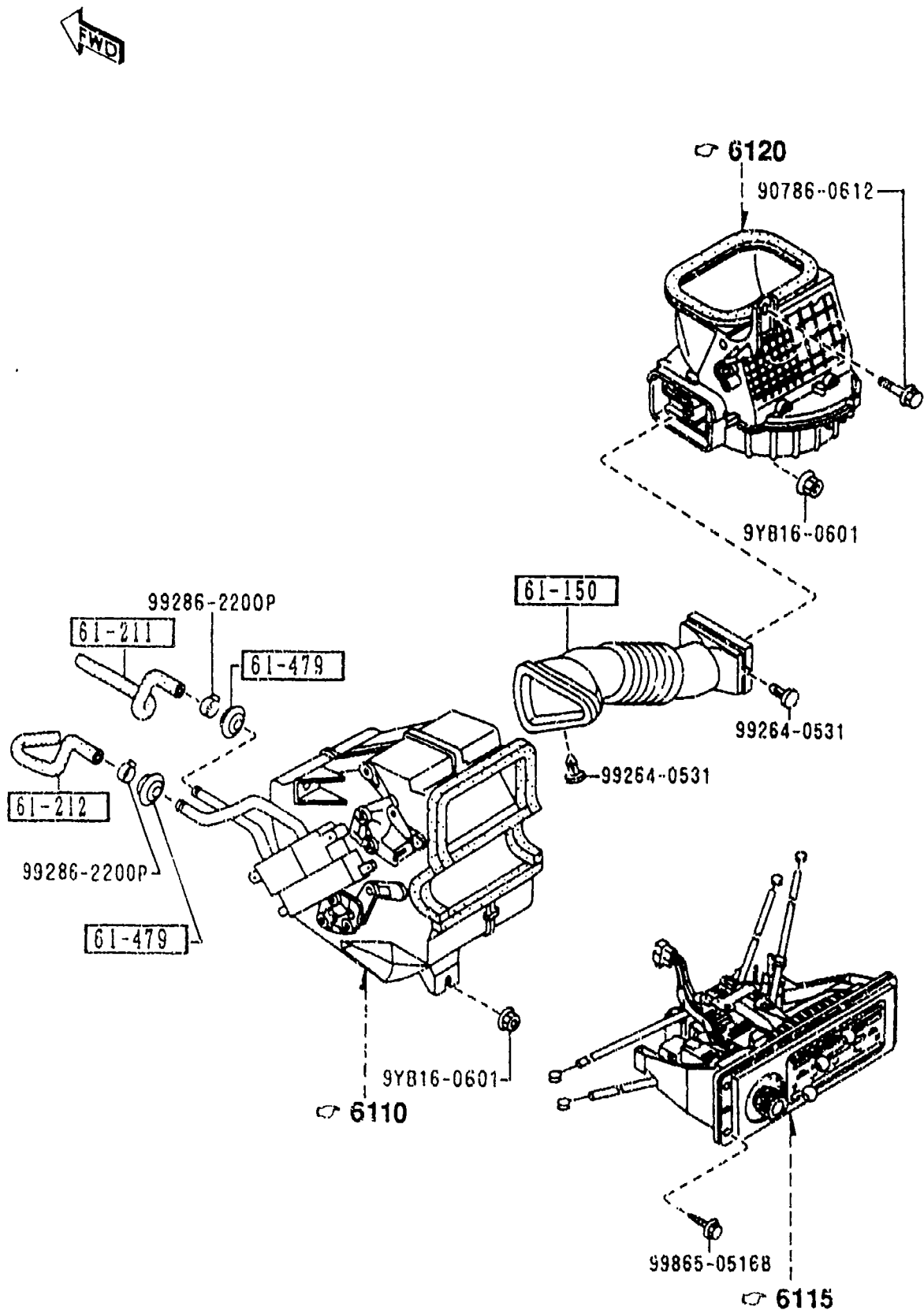
PART NO.	QTY	MODEL/RESTRICTION	MODEL/RESTRICTION	MODEL/RESTRICTION	FROM-TO
CONT'D					
		WIND,W/O TWEETER SPK ,W/SENSORY SOUND)			
00	INT-	NA3 BLACK			
80	INT-	NA5 BLACK/TAN			
N037-68-450B	1	L-PKG-OPT PKG-B-OPT, PKG-C-OPT, (TDA TYPE,W/POWER WIND,W/O TWEETER SPK,W /SENSORY SOUND)			5106-5703
00	INT-	NA3 BLACK			
80	INT-	NA5 BLACK/TAN			
ND38-68-450A	1	BASE, R-PKG, PKG-A, (W/O POWER WIND,W/O TWEETER SPK)			5703-
00	INT-	NA3 NA7 BLACK			
NB39-68-450A	1	P.E.GR, L-PKG, PKG-B , PKG-C, (W/POWER WIND,W/O TWEETER SPK.)			5703-
00	INT-	NA3 BLACK			
80	INT-	NA5 BLACK/TAN			
NB44-68-450A	1	OPT, (W/O POWER WIND,W/TW EETER SPK.)			5703-
00	INT-	NA3 NA7 BLACK			
NB56-68-450	1	OPT, (W/POWER WJND,W/TWEE TER SPK.)			5703-
00	INT-	NA3 BLACK			
80	INT-	NA5 BLACK/TAN			
		68-425A	COVER,HOLE		
G043-62-864A	2	(TDA-PLASTIC KICKPLA TE)			-4817
G043-62-864A	4	OPT, (TDB-STAINLESS KICKP LATE)			-4817
G043-62-864A	6	OPT, (TDB-STAINLESS KICKP LATE)			4817-5703
G043-62-864A	4	(TDA-PLASTIC KICKPLA TE)			4817-5703
LA01-57-425A	2				5703-
		69-D72	CAP,ASSIST GRIP		
4817	NA35*	-600407			
5106	NA35*	-612163			
5703	NA3**	-700001			



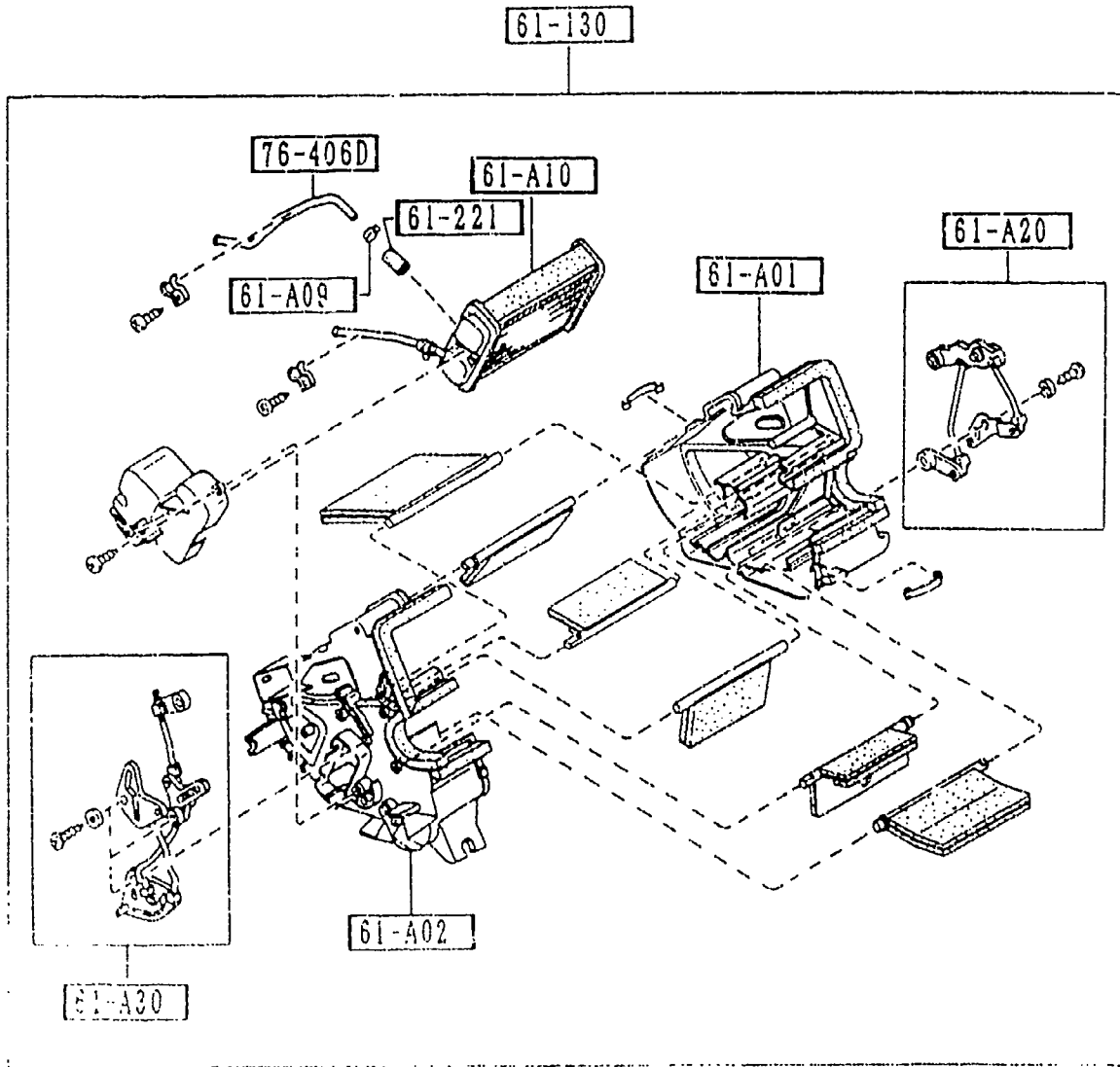


PART NO.	QTY	MODEL/RESTRICTION	MODEL/RESTRICTION	MODEL/RESTRICTION	FROM-TO
CONT'D					
N026-69-D72	2				-5703
00	INT-	NA3 NA4 NA5 NA6 NA7 BLACK			
69-361		GROMMET, SCREW			
B316-69-361	4				-5703
B316-69-361	6				5703-
69-365A		GRIP(R), ASSIST			
N026-69-D70	1				-5703
00	INT-	NA3 NA4 NA5 NA6 NA7 BLACK			
69-365Y		GRIP(L), ASSIST			
N026-69-D90	1				-5703
00	INT-	NA3 NA4 NA5 NA6 NA7 BLACK			
69-371		REST(R), ARM			
BF70-69-370C	1				5703-
00	INT-	NA3 NA7 NA8 BLACK			
88	INT-	NA4 NA5 TAN			
69-371Z		REST(L), ARM			
BF70-69-390C	1				5703-
00	INT-	NA3 NA7 NA8 BLACK			
88	INT-	NA4 NA5 TAN			
69-374		CAP(R), PULL HANDLE			
BF70-69-372	1				5703-
00	INT-	NA3 NA7 NA8 BLACK			
88	INT-	NA4 NA5 TAN			
69-374Z		CAP(L), PULL HANDLE			
BF70-69-392	1				5703-
00	INT-	NA3 NA7 NA8 BLACK			
88	INT-	NA4 NA5 TAN			

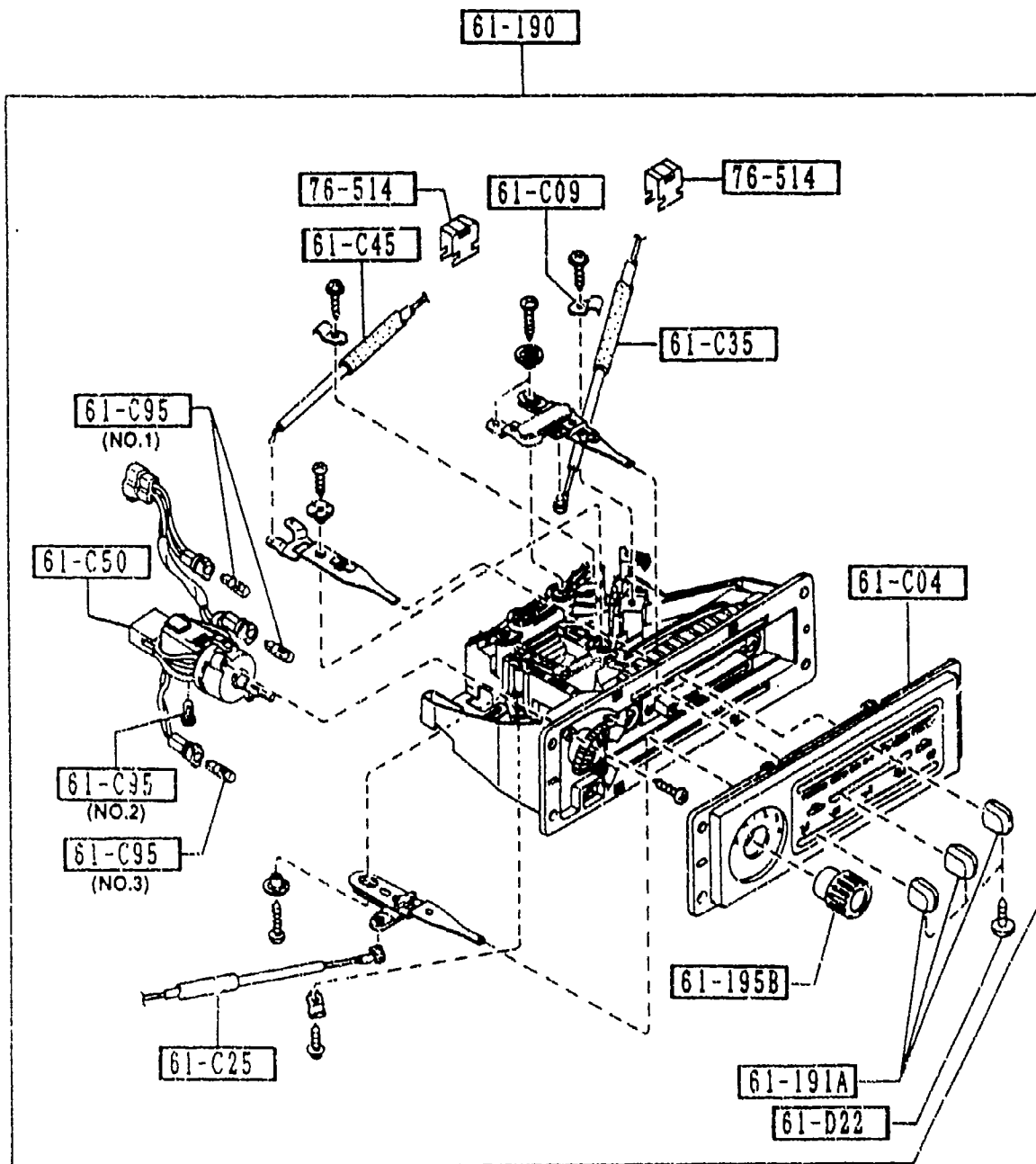
5703 NA3\*\* -700001



PART NO.	QTY	MODEL/RESTRICTION	MODEL/RESTRICTION	MODEL/RESTRICTION	FROM-TO
61-150		DUCT, AIR			
NA01-61-150A	1				
61-211		HOSE NO.1, WATER			
NA75-61-211	1				
61-212		HOSE NO.2, WATER			
NA75-61-212	1				
61-479		GROMMET			
8871-61-219A	2				



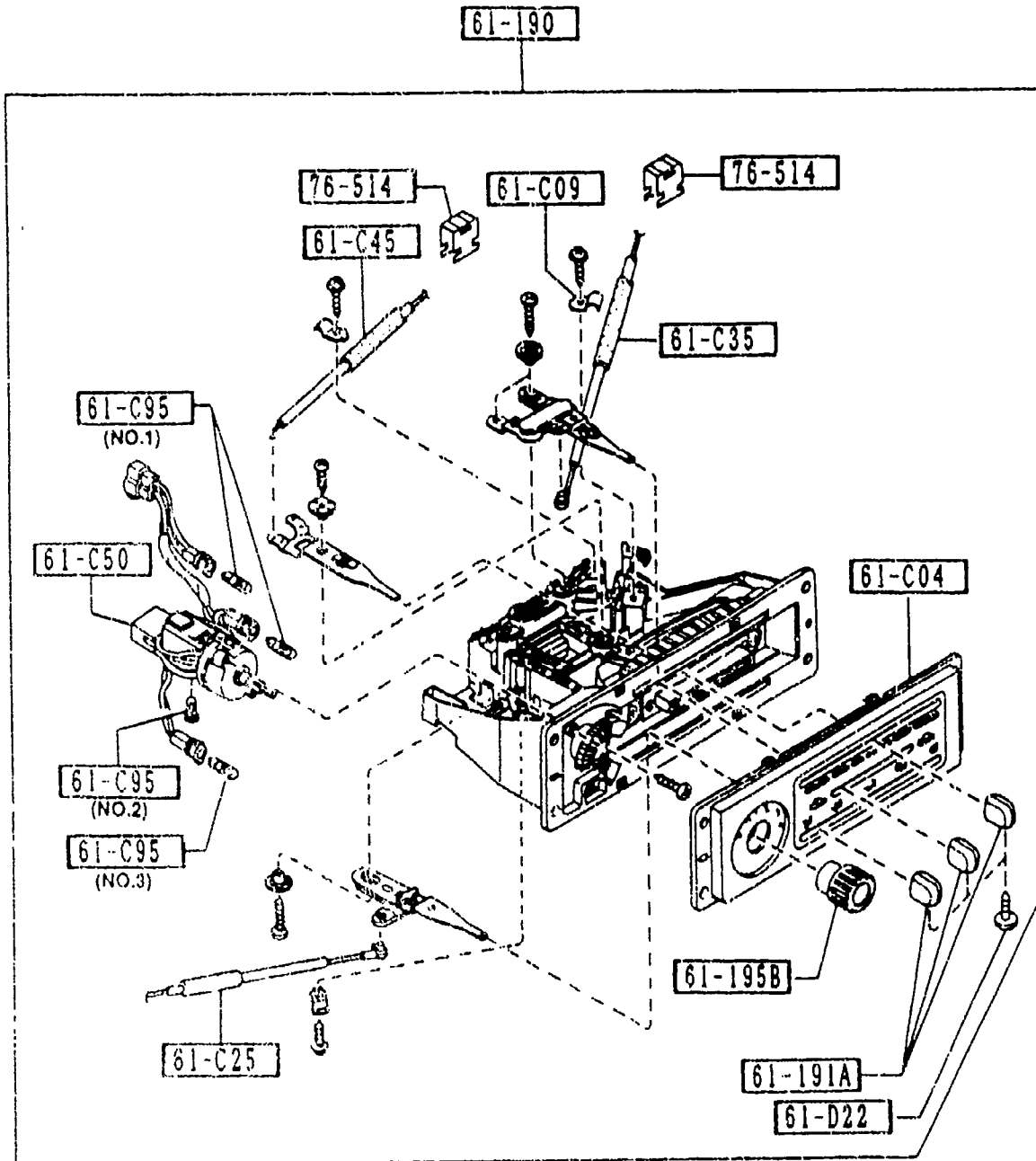
PART NO.	QTY	MODEL/RESTRICTION	MODEL/RESTRICTION	MODEL/RESTRICTION	FROM-TO
61-A01		CASE 'A', HEATER UNIT			
NA01-61-A01	1				
61-A02		CASE 'B', HEATER UNIT			
NA01-61-A02	1				
61-A09		CLIP			
NA01-61-A09	1				
61-A10		CORE, HEATER UNIT			
NA75-61-A10	1				
61-A20		LINK SET, TEMP			
NA01-61-A20	1				
61-A30		LINK SET, MODE			
NA01-61-A30	1				
61-130		HEATER UNIT			
NA75-61-130	1				
61-221		HOSE, WATER			
NA01-61-A21	1				
76-406D		PIPE, HEATER UNIT			
NA75-61-A15	1				



PART NO.	QTY	MODEL/RFSTRICTION	MODEL/RESTRICTION	MODEL/RESTRICTION	FROM-TO
61-C04		PANEL, PLATE-MODE CONTROL			
NA01-61-C04A	1				
61-C09		CLIP, HEATER CONTROL			
H260-61-C09	1				
61-C25		WIRE, TEMP. CONTROL			
NA01-61-C25	1				
61-C35		WIRE, MODE CONTROL			
NA01-61-C35	1				
61-C45		WIRE, RECYCLE & FRESH			
NA75-61-C45	1				
61-C50		SWITCH, FAN-HEATER CONTROL			
NA01-61-C50	1				-6401
*NA01-61-C50A	1				6401-
61-C95		BULB, MODE CONTROL			
NA01-61-C95	2	(ILLUST. NO.1)			
NA02-61-C95	1	(ILLUST. NO.2)			
NA03-61-C95	1	(ILLUST. NO.3)			-6401
*NA03-61-C95A	1	(ILLUST. NO.3)			6401-
61-D22		SCREW, RR HEATER UNIT			
NA01-61-D22	3				
61-190		CONTROL, HEATER			
NA75-61-190B AN(NA75-61-190C)	1				-6401
*NA75-61-190C	1				6401-
61-191A		KNOB NO.1			
NA01-61-191	3				
61-195B		KNOB, FAN SWITCH			
NA01-61-195	1				
76-514		CLIP			

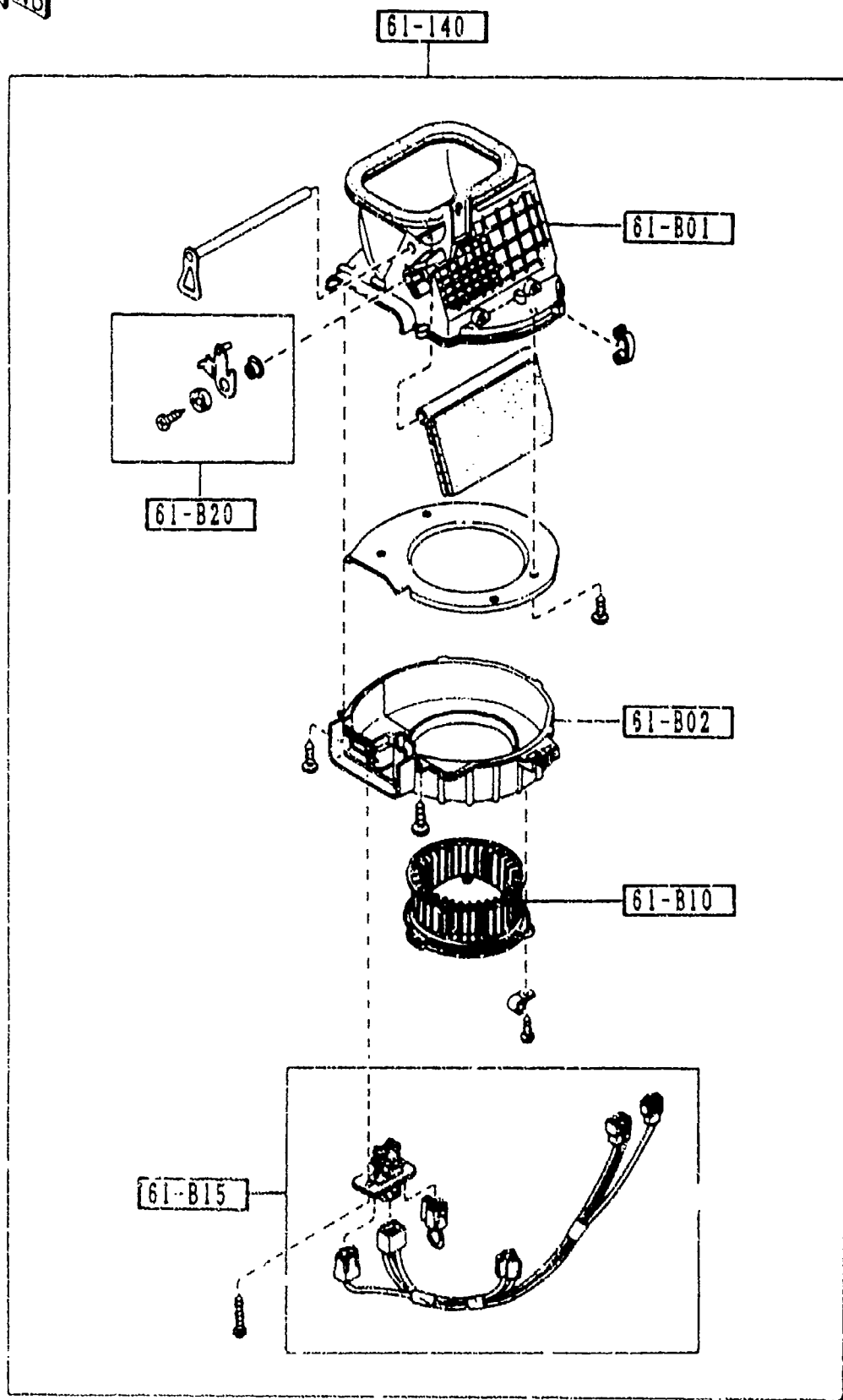
6401 NA3\*\* -717787

FWD

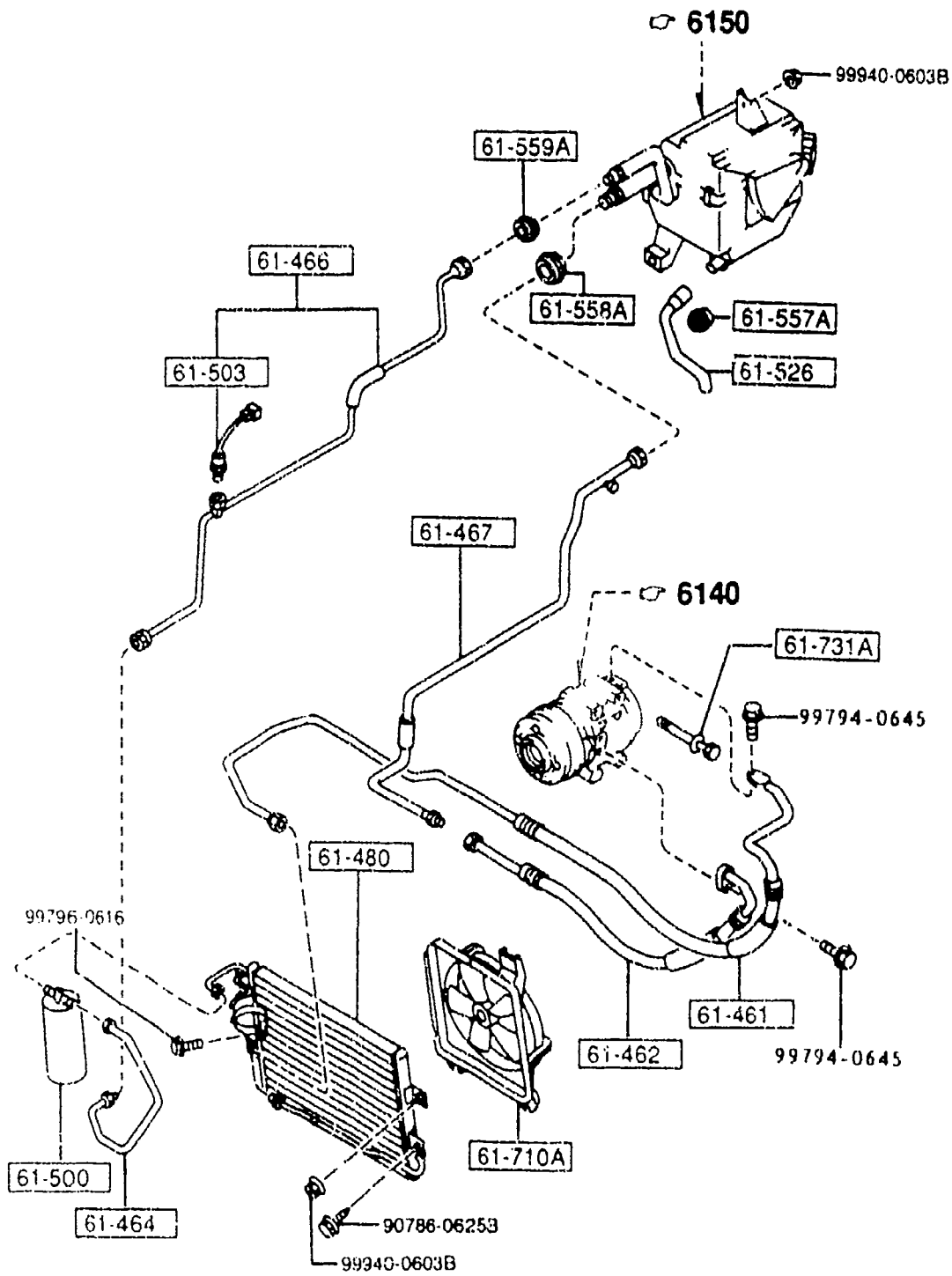


PART NO.	QTY	MODEL/RESTRICTION	MODEL/RESTRICTION	MODEL/RESTRICTION	FROM-TO
CONT'D 8001-76-526	2				

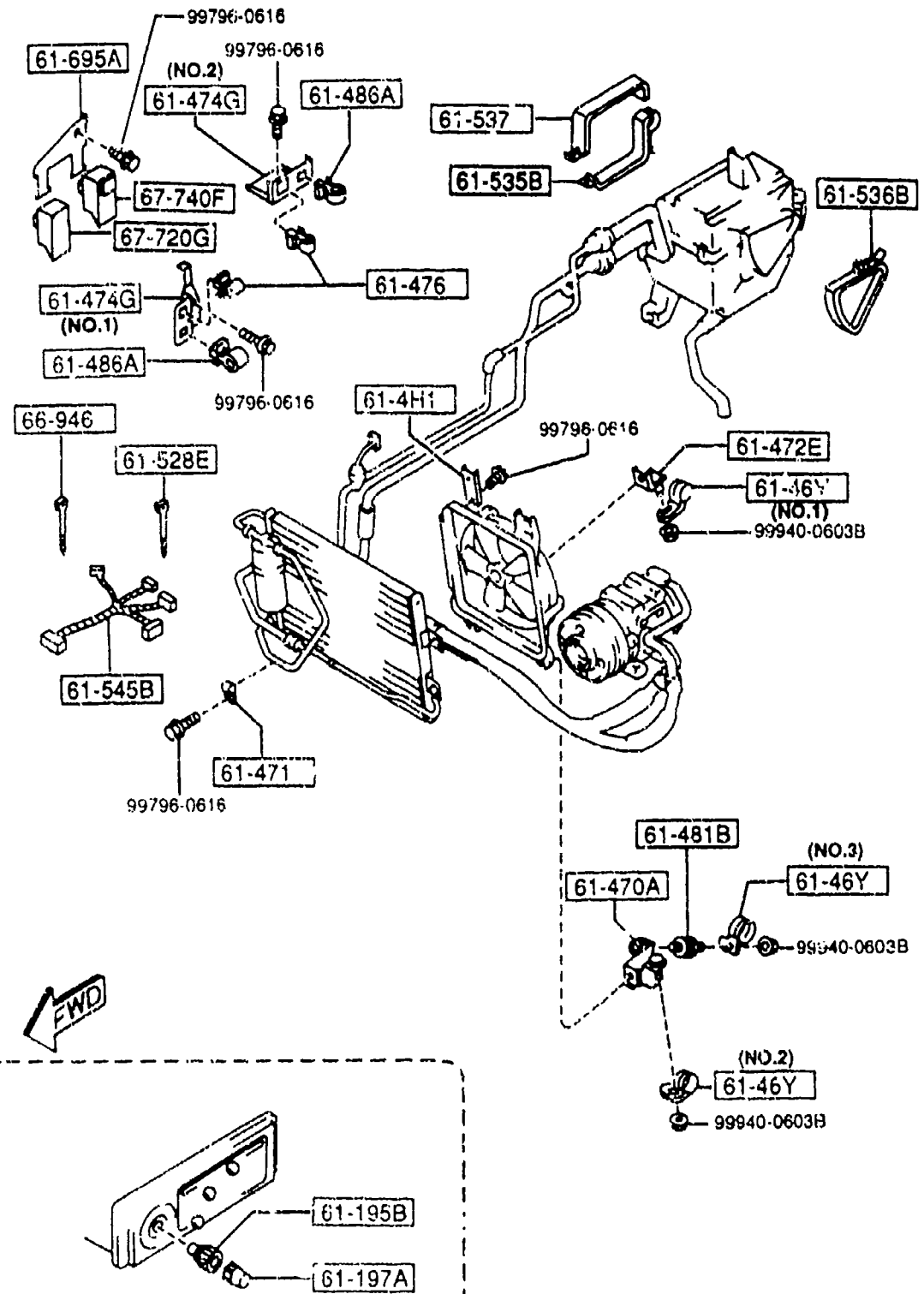
FWD



PART NO.	QTY	MODEL/RESTRICTION	MODEL/RESTRICTION	MODEL/RESTRICTION	FROM-TO
61-B01 NA75-61-B01	1	CASE 'A', BLOWER UNIT			
61-B02 NA01-61-B02	1	CASE 'B', BLOWER UNIT			
61-B10 NA01-61-B10	1	MOTOR, FAN-BLOWER UNIT			
61-B15 NA01-61-B15	1	RESISTOR, BLOWER UNIT			
61-B20 NA01-61-B20	1	LINK, RECYCLE & FRESH			
61-140 NA75-61-140	1	BLOWER UNIT			



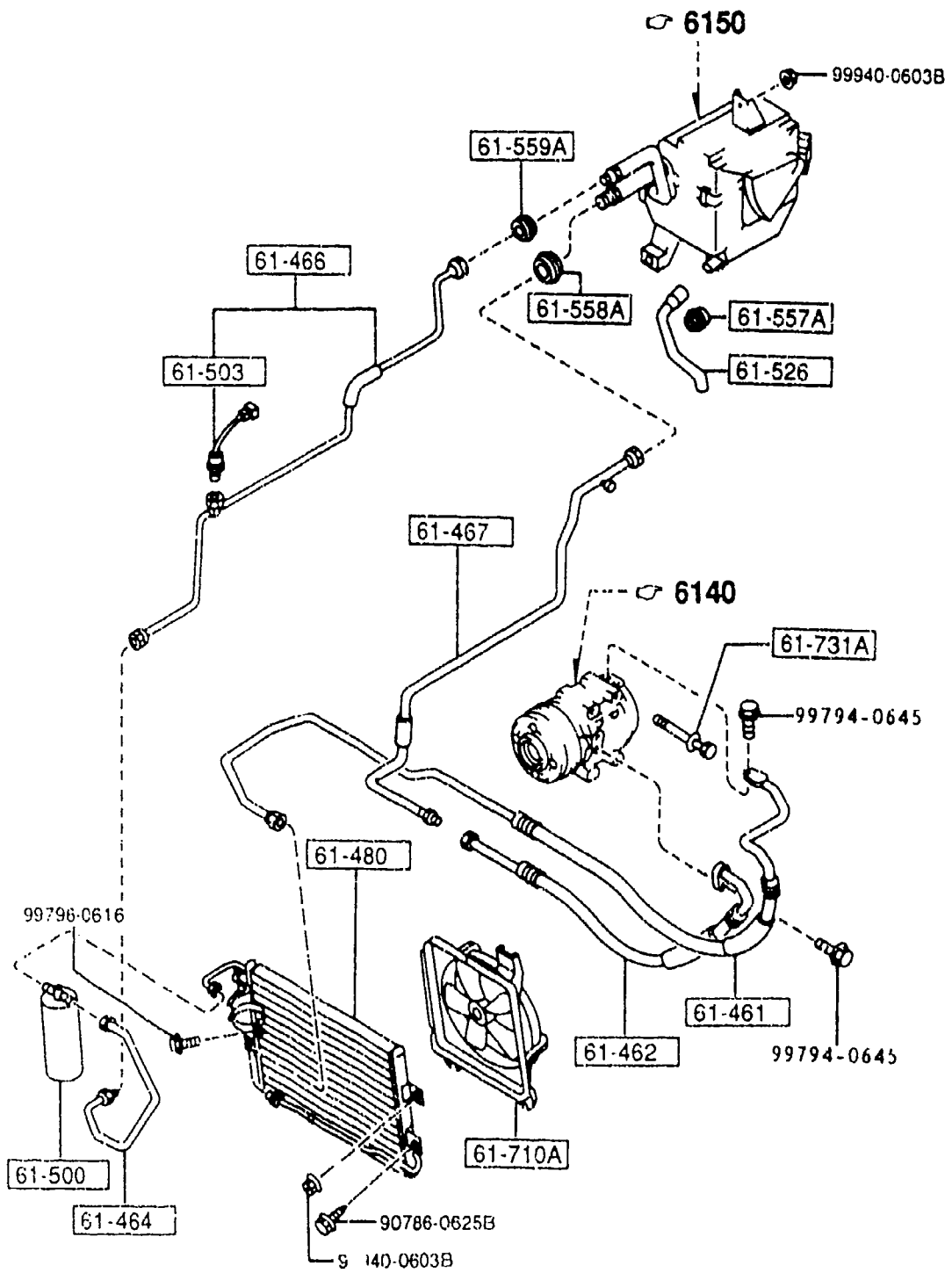
AUNA05



AUNA05

6130 AIR CONDITIONER  
(PIPE & CONDENSER)

(1/2)

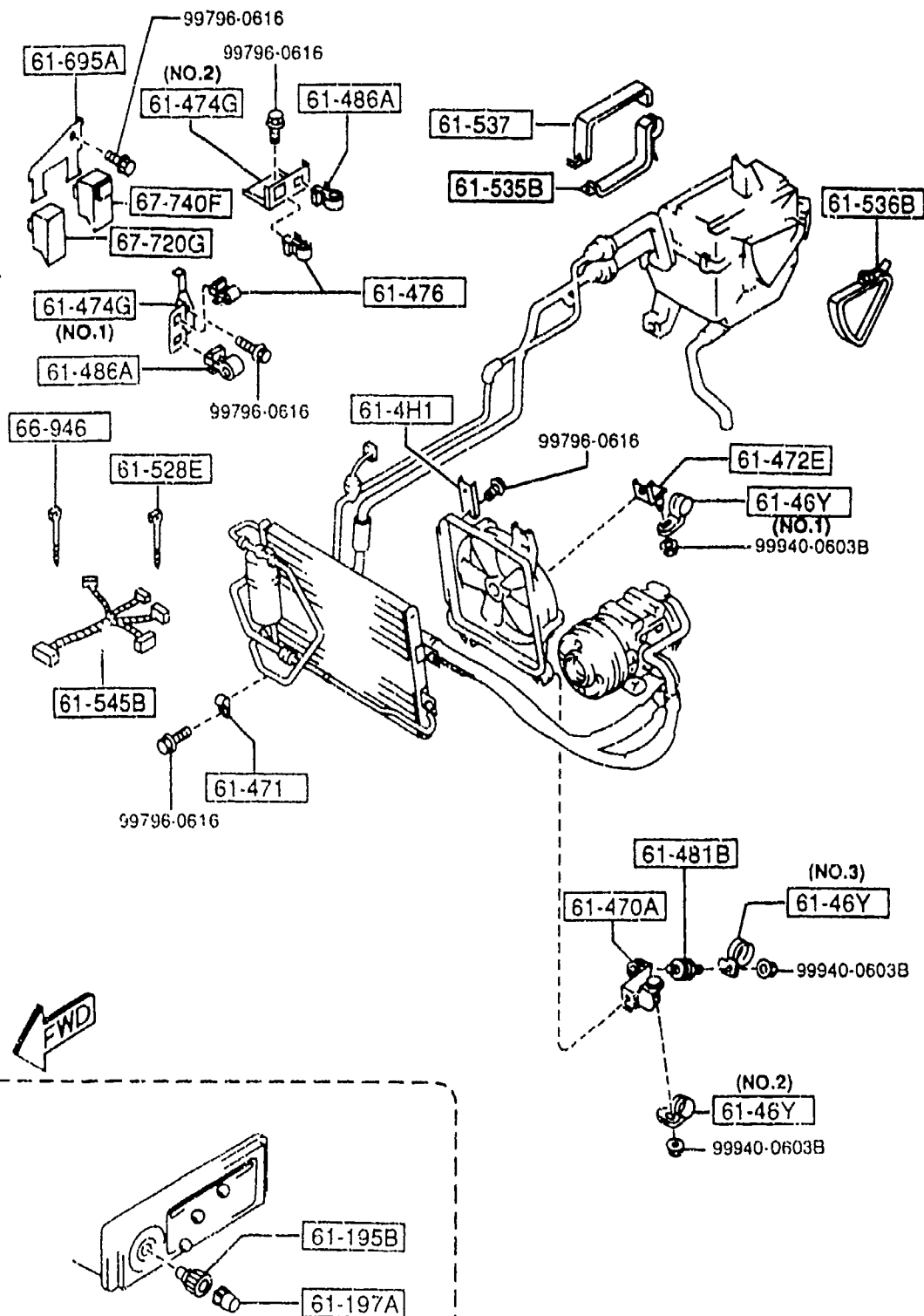


PART NO.	QTY	MODEL/RESTRICTION	MODEL/RESTRICTION	MODEL/RESTRICTION	FROM-TO
61-195B		KNOB,FAN SWITCH			
NA01-61-193	1				
61-197A		KNOB,AIR CON.			
NA01-61-197	1				
61-4H1		BRACKET,HOSE			
NA01-61-4H1	1	(A)			
61-46Y		CLIP,PIPE			
BR71-61-46Y	1	(A)			
BR76-61-46Y	1	(ILLUST. NO.1)			
NA01-61-46YC	1	(A)			
61-461		HOSE,FLEXIBLE-HIGH			
NA75-61-461	1	(A)			
61-462		HOSE,FLEXIBLE-LOW			
NA75-61-462	1	(A)			
61-464		PIPE NO.2,COOLER			
NA75-61-467	1	(A)			
61-466		PIPE NO.4,COOLER			
NA75-61-46XA	1	(A)			
61-467		PIPE NO.5,COOLER			
NA75-61-468	1	(A)			
61-470A		BRACKET,HOSE			
NA02-61-471A	1	(A)			
61-471		CLIP,PIPE			
BF67-61-471	1	(A)			





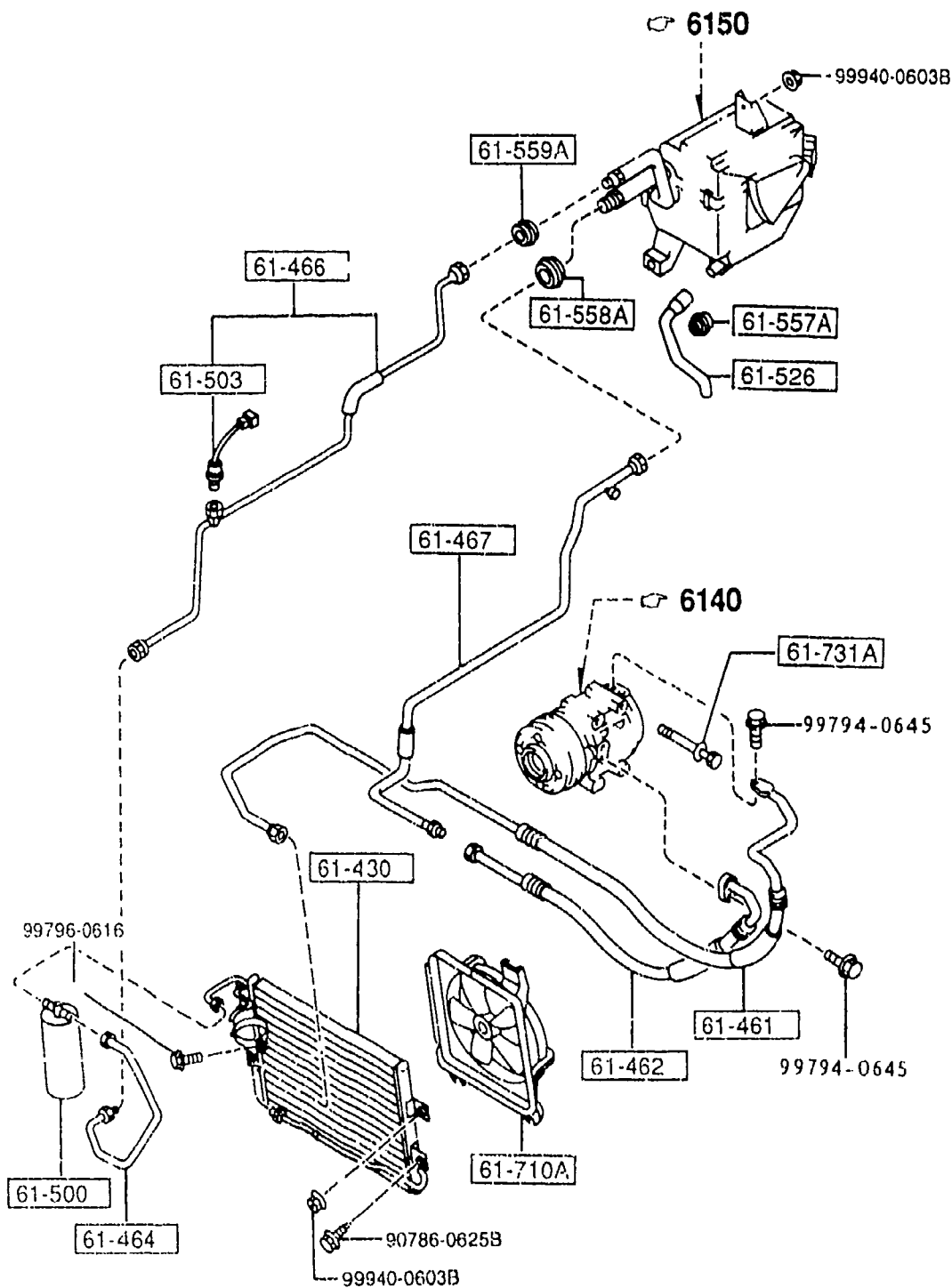
(BRACKET & CLIP)



PART NO.	QTY	MODEL/RESTRICTION	MODEL/RESTRICTION	MODEL/RESTRICTION	FROM-TO
61-472E	1	BRACKET, CLAMP (A)			
NA01-61-472					
61-474G	1	BRACKET, PIPE (A)			
NA01-61-474		(ILLUST. NO.1)			
NA02-61-474A	1	(A)			
		(ILLUST. NO.2)			
61-476	2	CLIP (A)			
NA02-61-476					
61-480	1	CONDENSER (A)			
NA75-61-480					
61-481B	1	RUBBER, INSULATOR (A)			
FC20-61-481					
61-486A	2	CLIP			
UB39-61-486A					
61-500	1	TANK, LIQUID (A)			
NA75-61-500					
61-503	1	SW., PRESSURE-LIQUID TANK (G)			
GB6H-61-503					
61-526	1	HOSE, DRAIN (A)			
NA01-61-526					
61-528E	1	BAND (G)			
NA01-61-435					
61-535B	1	PLATE NO.1, SEAL (A)			
NA01-61-52YA					

6130 AIR CONDITIONER  
(PIPE & CONDENSER)

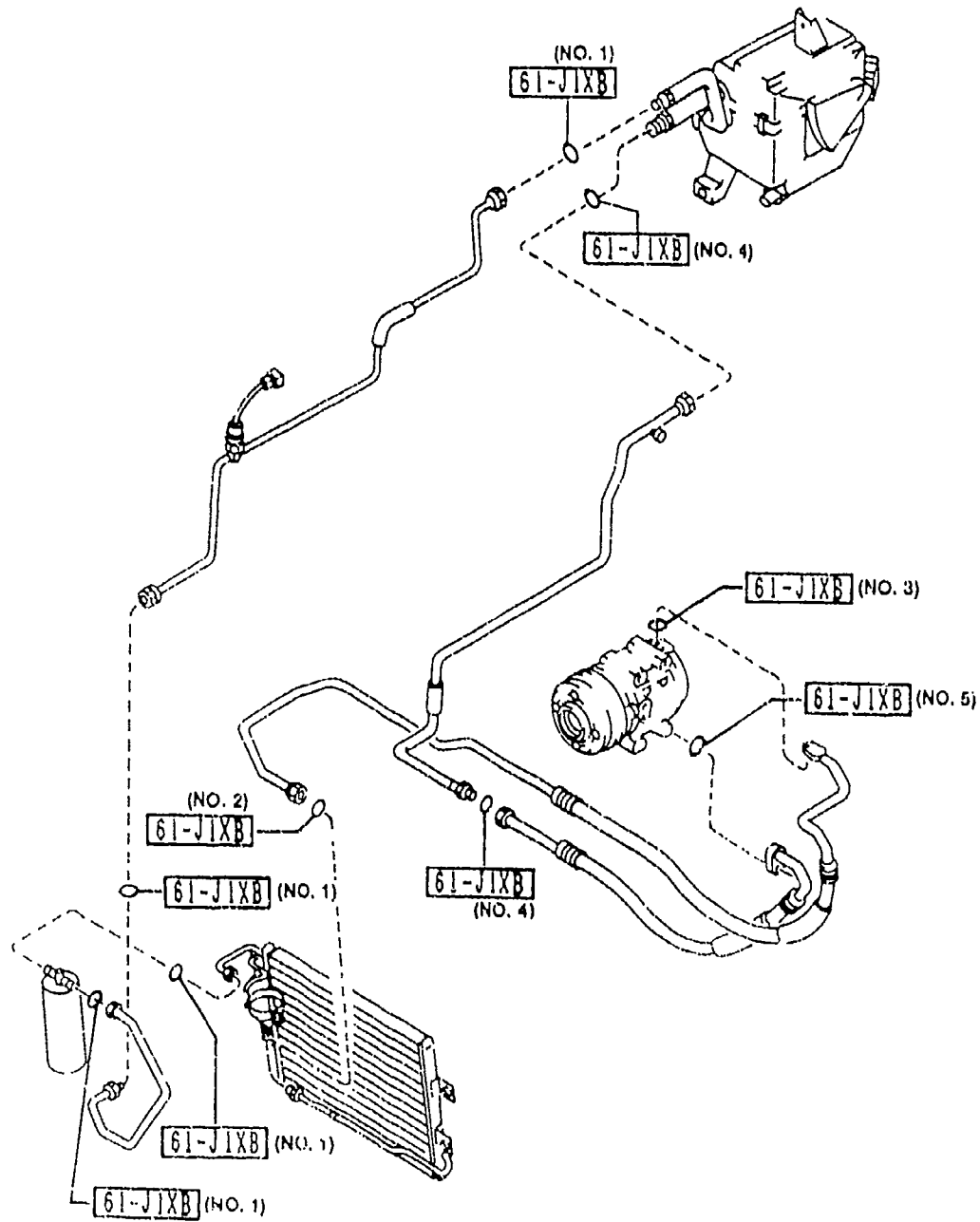
(1/2)



PART NO.	QTY	MODEL/RESTRICTION	MODEL/RESTRICTION	MODEL/RESTRICTION	FROM-TO
61-536B NA01-61-52Z	1	PLATE NO. 2, SEAL (A)			
61-537 NA01-61-529	1	PLATE NO. 3, SEAL (A)			
61-545B NA75-61-545A	1	HARNES, WIRE (A)			
61-557A FB04-61-557	1	GROMMET (A)			
61-558A BF67-61-558	1	GROMMET (A)			
61-559A BF67-61-559	1	GROMMET (A)			
61-695A NA75-61-695	1	BRACKET, RELAY (A)			
61-710A NA01-61-710	1	FAN, CONDENSER (A)			
61-731A B111-61-731	4	BOLT, AIR CON.			
66-946 NA02-61-435	1	BAND (A)			
67-720G EE12-67-720	1	RELAY, TRANSFER			
67-740F H450-67-740	1	CONTROL, COOLANT FAN 30A			



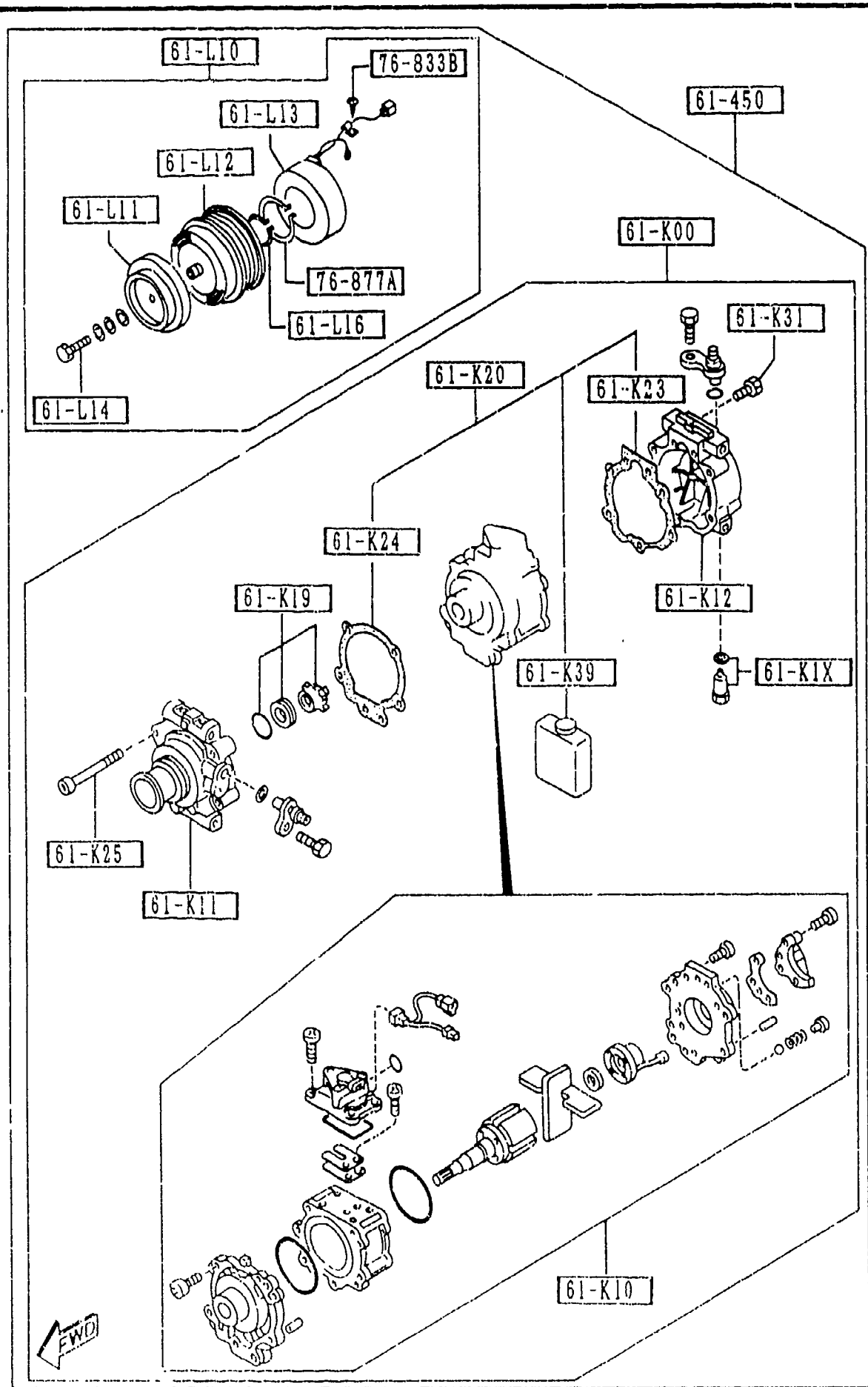
2-K14



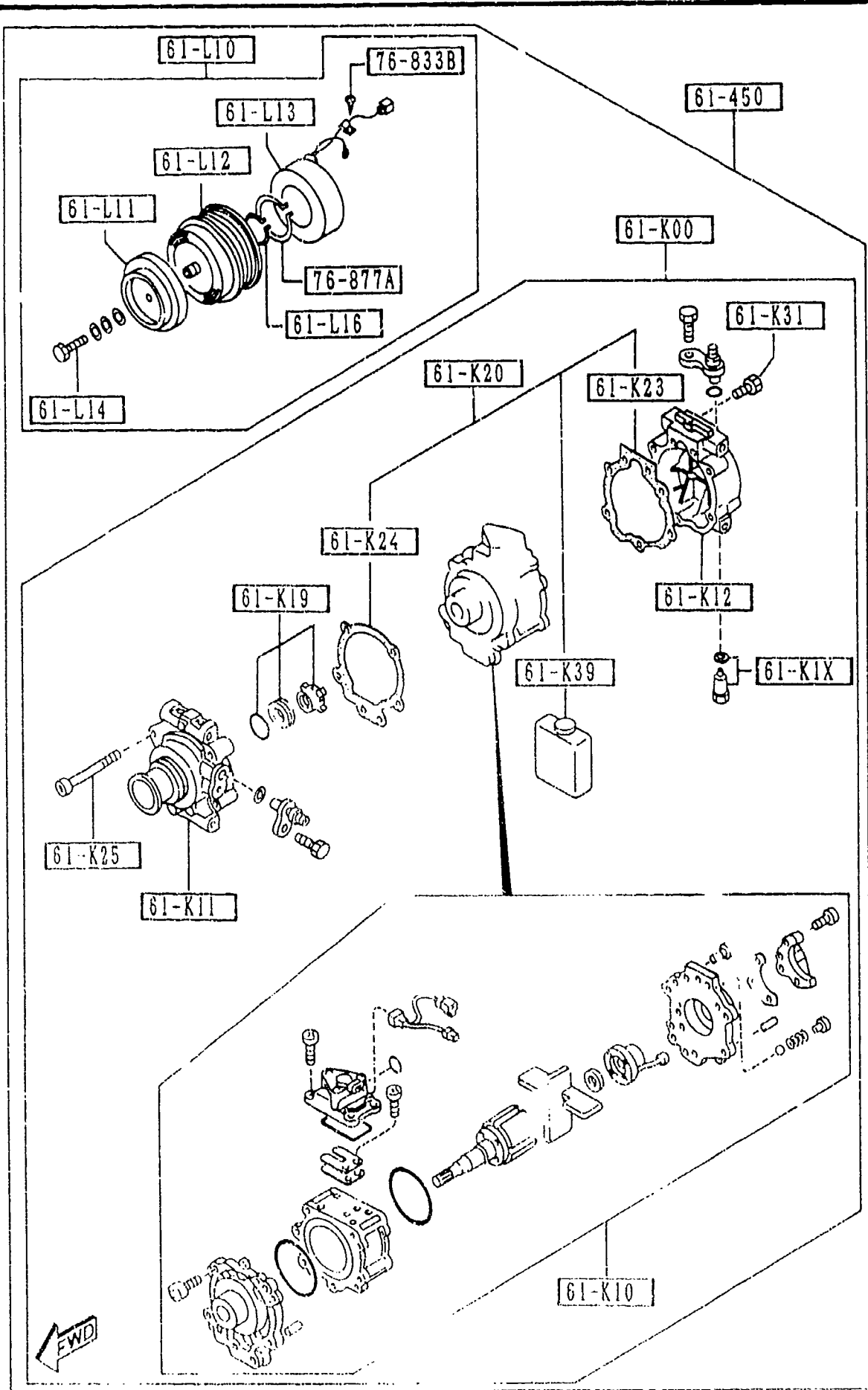
PART NO.	QTY	MODEL/RESTRICTION	MODEL/RESTRICTION	MODEL/RESTRICTION	FROM-TO
61-J1XB		RING, 'O'-NO.3			
LB51-61-J1X	1	(A) (ILLUST. NO.1)			
LB54-61-J1X	1	(A) (ILLUST. NO.2)			
LB55-61-J1X	1	(A) (ILLUST. NO.3)			
LB56-61-J1X	1	(A) (ILLUST. NO.4)			
LB57-61-J1X	1	(A) (ILLUST. NO.5)			



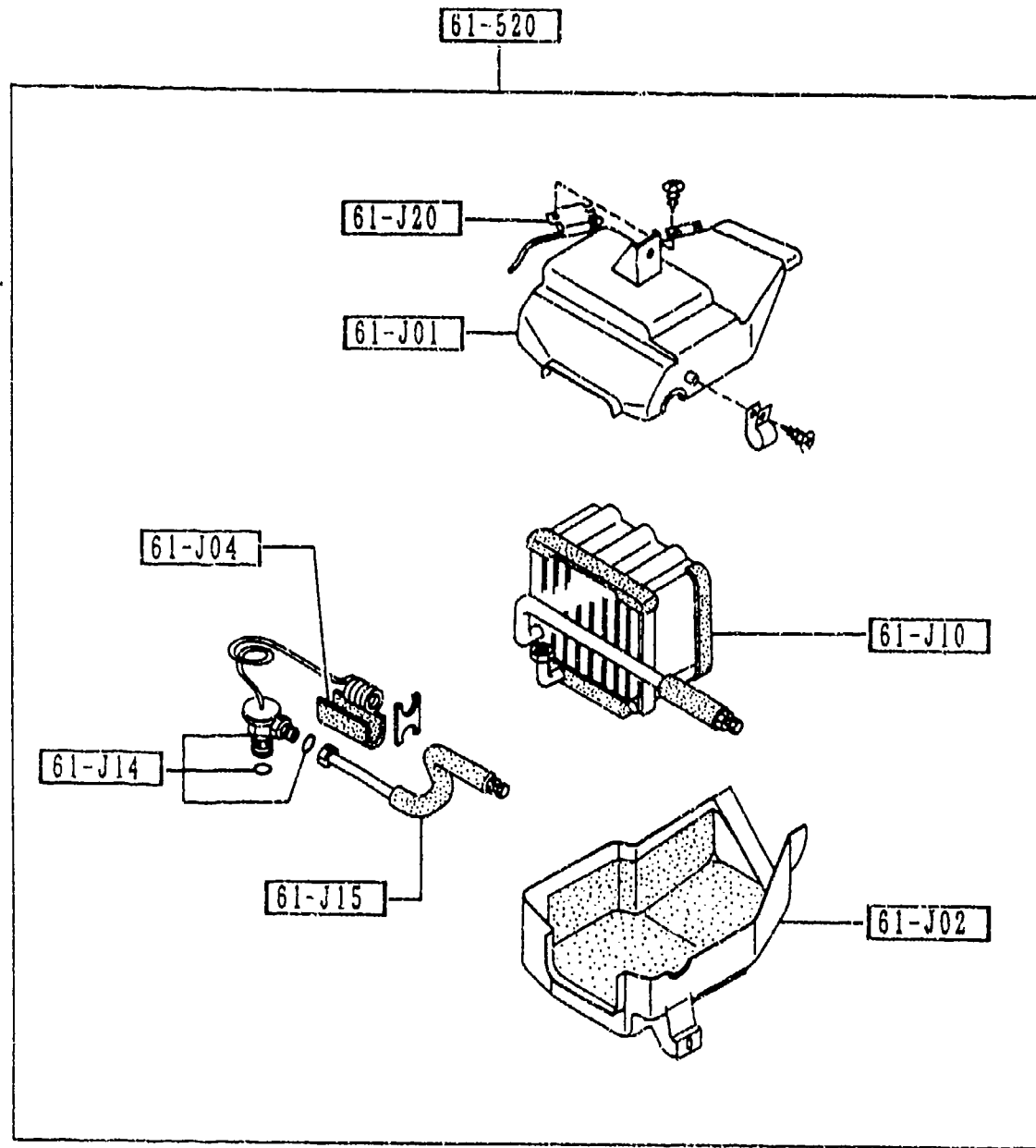
(Note)  
The p/no (NO. 1) ~ (NO. 5) with D-code 61-J1XB consist 10 pcs of O Rings.



PART NO.	QTY	MODEL/RESTRICTION	MODEL/RESTRICTION	MODEL/RESTRICTION	FROM-TO
61-K00	1	COMPRESSOR, AIR CON.			
NA75-61-K00		(A)			
61-K1X	1	VALVE, RELIEF			
NA75-61-K1X		(A)			
61-K10	1	SHAFT, CYL.-COMPRESSOR			
NA75-61-K10		(A)			
61-K11	1	HEAD, CYL.-COMPRESSOR			
NA75-61-K11		(A)			
61-K12	1	HEAD, CYL.-COMPRESSOR			
NA75-61-K12		(A)			
61-K19	1	SEAL, SHAFT-COMPR.			
NA75-61-K19		(A)			
61-K20	1	GASKET KIT, COMPRESSOR			
NA75-61-K2X		(A)			
61-K23	1	FLUG, COMPRESSOR			
NA75-61-K23		(A)			
61-K24	1	GASKET, COMPRESSOR			
NA02-61-K24		(A)			
61-K25	5	BOLT, COMPRESSOR-AIR CON			
F065-61-K25					
61-K31	2	BOLT, COMPRESSOR			
F065-61-K31					
61-K39	1	GIL, COMPRESSOR			
NA75-61-K39		(A)			

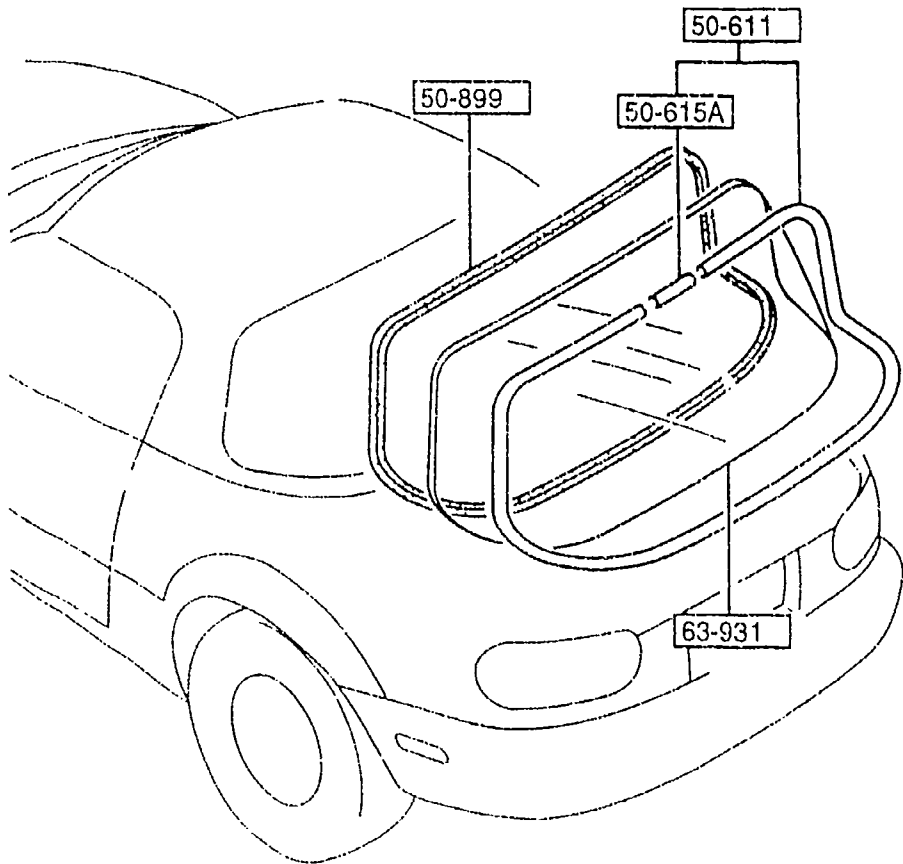
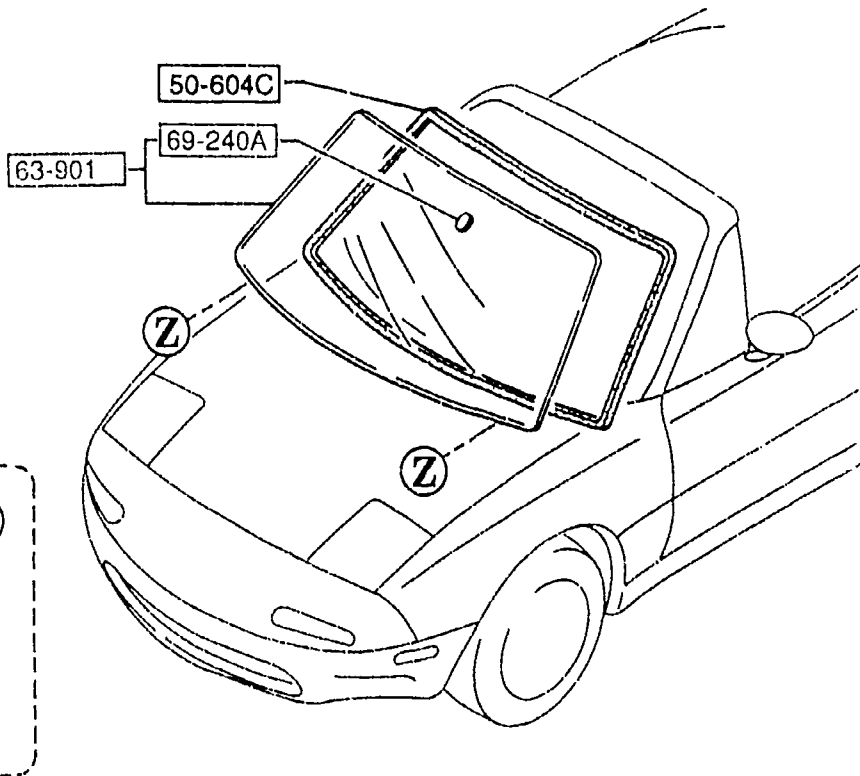


PART NO.	QTY	MODEL/RESTRICTION	MODEL/RESTRICTION	MODEL/RESTRICTION	FROM-TO
61-L10	1	CLUTCH, MAGNET			
NA75-61-L10		(A)			
61-L11	1	ARMATURE, MAGNETIC CLUTCH			
NA75-61-L11		(A)			
61-L12	1	PULLEY, MAGNET CLUTCH			
NA75-61-L12		(A)			
61-L13	1	COIL, FIELD-MAGNET CLUTCH			
NA75-61-L13		(A)			
61-L14	1	BOLT, MAGNET CLUTCH			
F065-61-L14					
61-L16	1	RING, SNAP-MAGNET CLUTCH			
F065-61-L16					
61-450	1	COMPRESSOR			
NA75-61-450		(A)			
76-833B	1	WASHER			
B001-76-734					
76-877A	1	RING, SNAP			
B001-76-725					



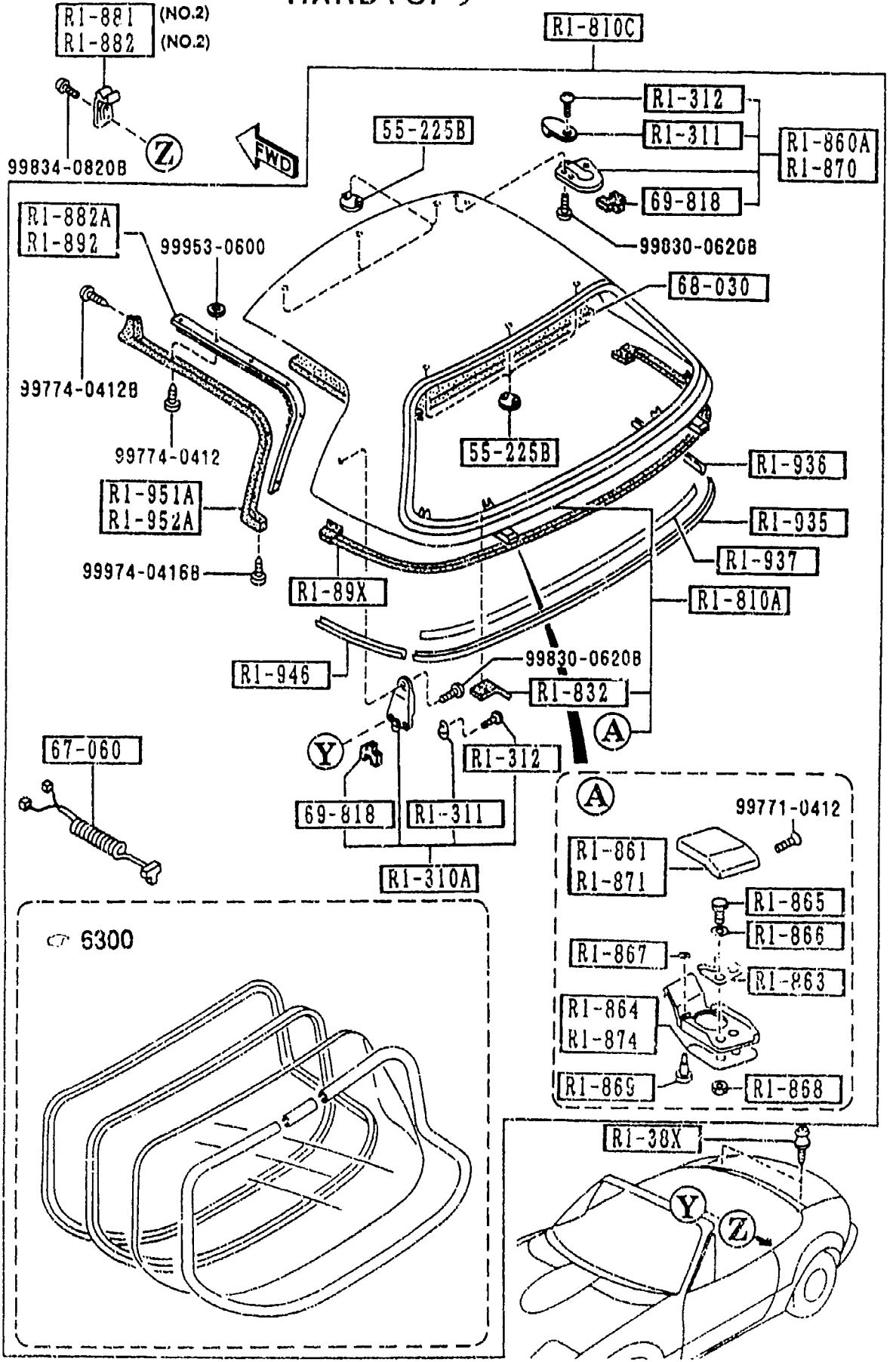
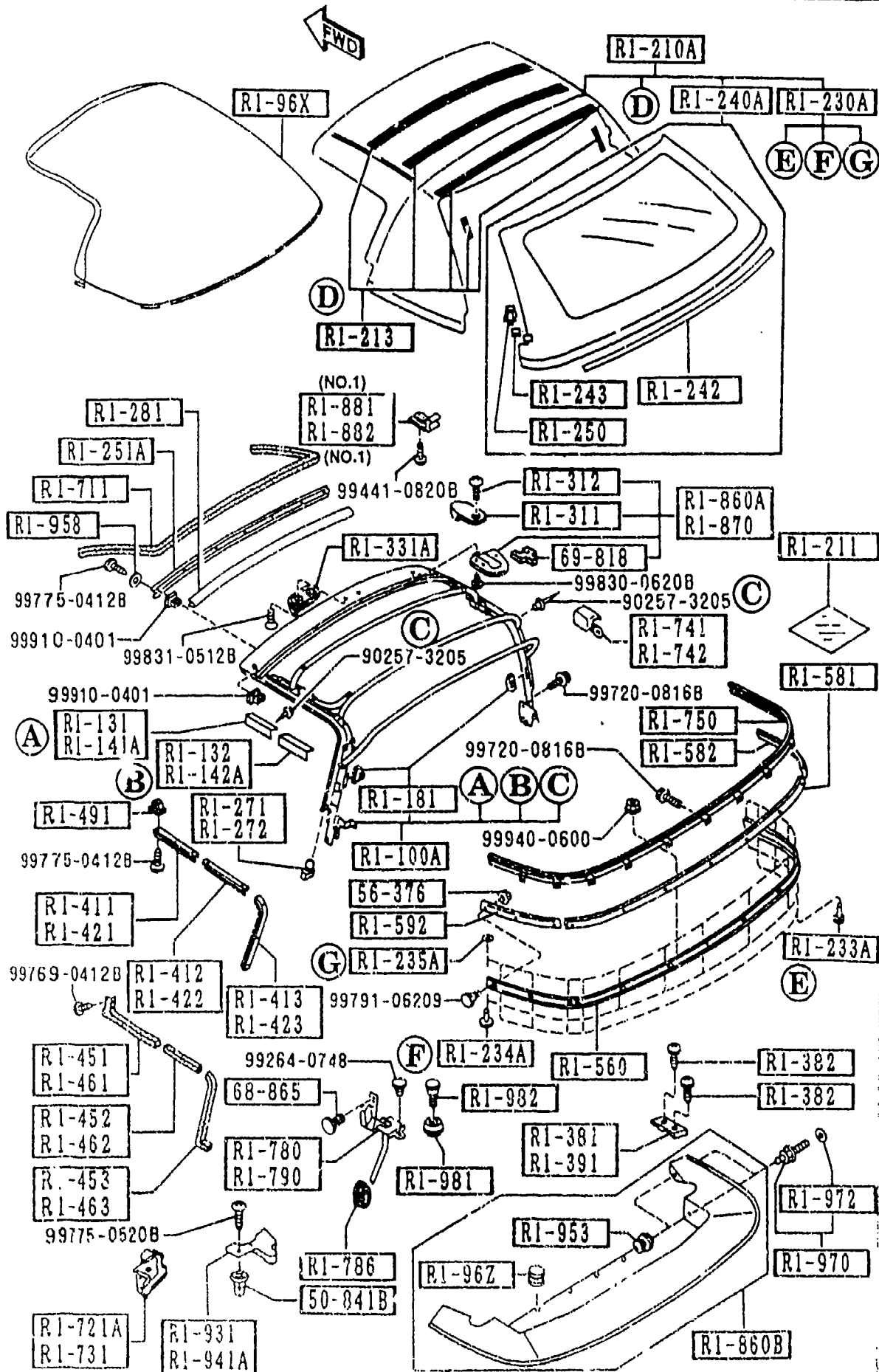
PART NO.	QTY	MODEL/RESTRICTION	MODEL/RESTRICTION	MODEL/RESTRICTION	FROM-TO
61-J01 NA01-61-J01A	1	CASE 'A', COOLING UNIT (A)			
61-J02 NA01-61-J02A	1	CASE 'B', COOLING UNIT (A)			
61-J04 NA01-61-J04	1	SEAL, COOLING UNIT (A)			
61-J10 NA01-61-J10A	1	EVAPORATOR (A)			
61-J14 NA75-61-J14	1	VALVE, EXPANSION (A)			
61-J15 NA01-61-J15	1	PIPE, COOLING UNIT (A)			
61-J20 NA01-61-J20	1	THERMOSTAT, COOLING UNIT (A)			
61-520 NA75-61-520B	1	UNIT, COOLING (A)			





PART NO.	QTY	MODEL/RESTRICTION	MODEL/RESTRICTION	MODEL/RESTRICTION	FROM-TO
50-604C		DAM			
*NA01-50-894A	1				
50-611		MOULD,RR.WINDOW			
NAY1-63-930	1	OPT, (W/DETACHABLE HARD T OP)			
50-615A		JOINT,BACK WINDOW MO ULD			
NA01-63-934	1	OPT, (W/DETACHABLE HARD T OP)			
50-891A		SPACER,WINDOW			
EA01-50-891A	2	WHITE			
50-899		DAM,REAR-WIND.			
NA01-63-895	1	OPT, (W/DETACHABLE HARD T OP)			
63-901		GLASS,WINDSHIELD			
NA01-63-901	1	('95 MODEL)			-6201
NB38-63-900A	1	('96 MODEL)			6201-
NB30-63-900	1	('96 MODEL)			
63-931		GLASS,BACK WINDOW			
N007-63-931	1	OPT, (W/DETACHABLE HARD T OP) ( '95 MODEL)			
N007-63-931	1	OPT, (W/DETACHABLE HARD T OP) ( '96 MODEL)			-6201
NB40-63-931	1	OPT, (W/DETACHABLE HARD T OP) ( '96 MODEL)			6201-
69-240A		BASE,INTERIOR MIRROR			
BC1C-69-240	1	('96 MODEL)			
6201 NA3** -711421					

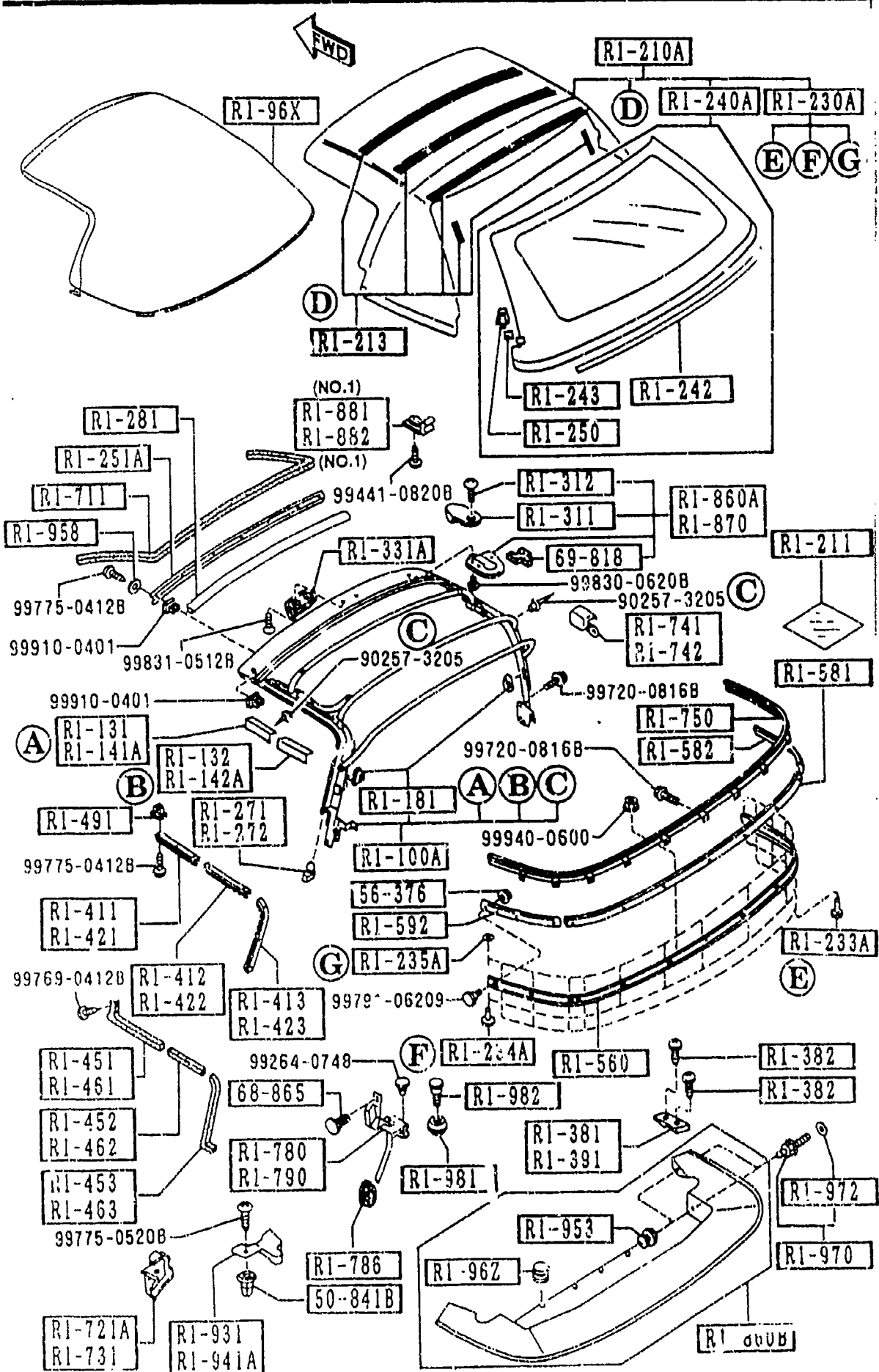
(W/DETACHABLE HARDTOP)



AUNA05

AUNA05

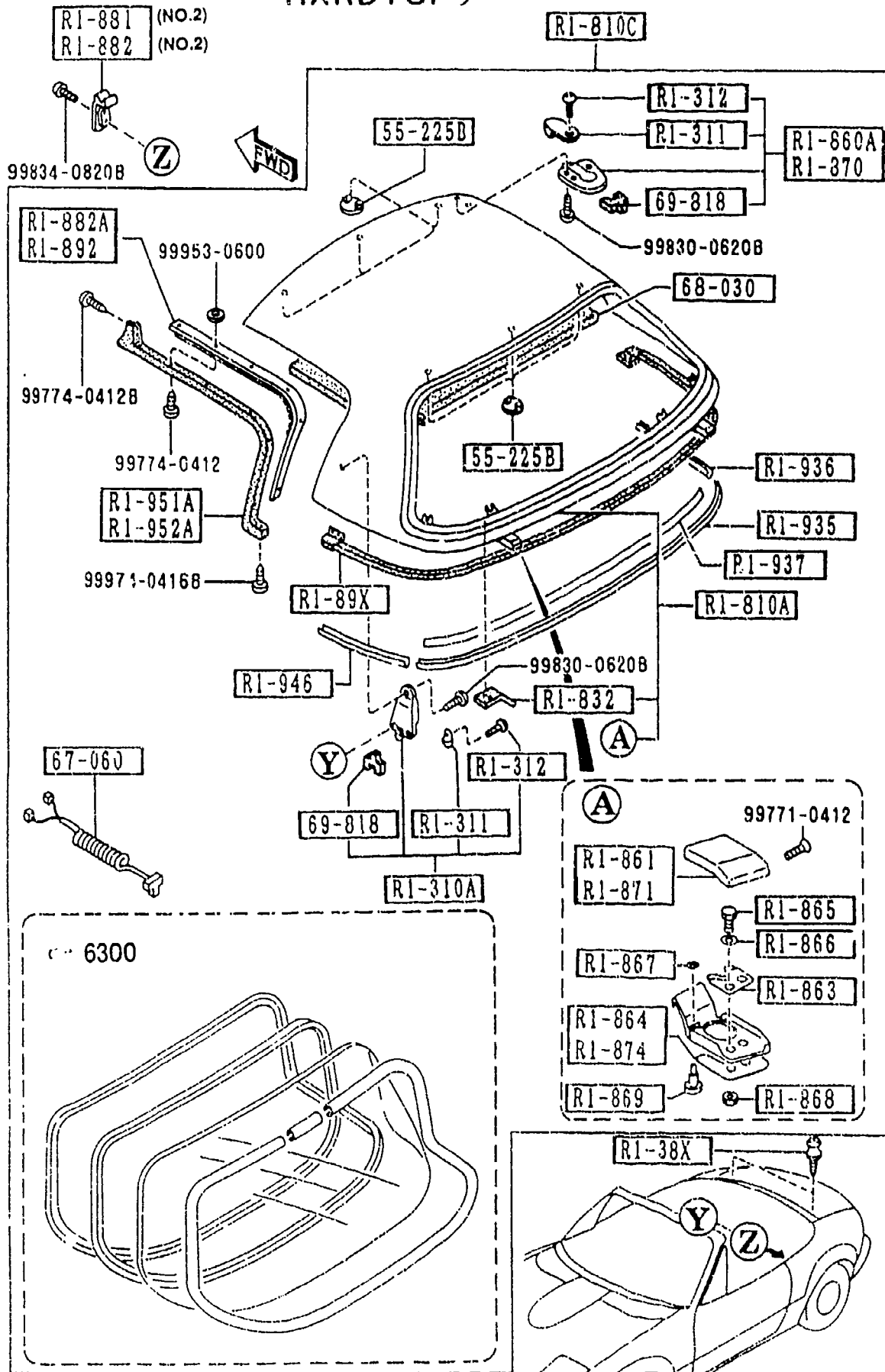




PART NO.	QTY	MODEL/RFSTRICTION	MODEL/RESTRICTION	MODEL/RESTRICTION	FROM-TO
RI-100A		LINK, SOFT TOP			
NA01-RI-100E	1				
RI-131		PROTECTOR 'A' (R), LINK			
NA01-RI-131	1				
RI-132		PROTECTOR 'B' (R), LINK			
NA01-RI-132	1				
RI-141A		PROTECTOR 'A' (L), LINK			
NA01-RI-141	1				
RI-142A		PROTECTOR 'B' (L), LINK			
NA01-RI-142	1				
RI-181		STOPPER, LINK-HOOD			
NA01-RI-181	2				
RI-210A		FABRIC, TOP-SOFT TOP			
NA01-RI-210J AN(NA01-RI-210K)	1	BASE, R-PKG, P.E.GR, PKG-A, PKG-B, (BLACK)			-5A02
NA02-RI-210C AN(NA02-RI-210D)	1	L-PKG, PKG-C, M-25-E D, (TAN)			-5A02
NA01-RI-210K AN(NA01-RI-210L)	1	BASE, R-PKG, P.E.GR, PKG-A, PKG-B, (BLACK)			5A02-6501
NA02-RI-210D AN(NA02-RI-210E)	1	L-PKG, PKG-C, M-25-E D, (TAN)			5A02-6501
*NA01-RI-210L	1	BASE, R-PKG, P.E.GR, PKG-A, PKG-B, (BLACK)			6501-
*NA02-RI-210E	1	L-PKG, PKG-C, (TAN)			6501-
RI-211		CLOTH, REPAIR-TOP			
NAY1-RI-211	1	BASE, R-PKG, P.E.GR, PKG-A, PKG-B, (BLACK)			
NAY2-RI-211	1	L-PKG, PKG-C, M-25-E D, (TAN)			
NOY5-RI-211	1	(BLUE)			4B01-

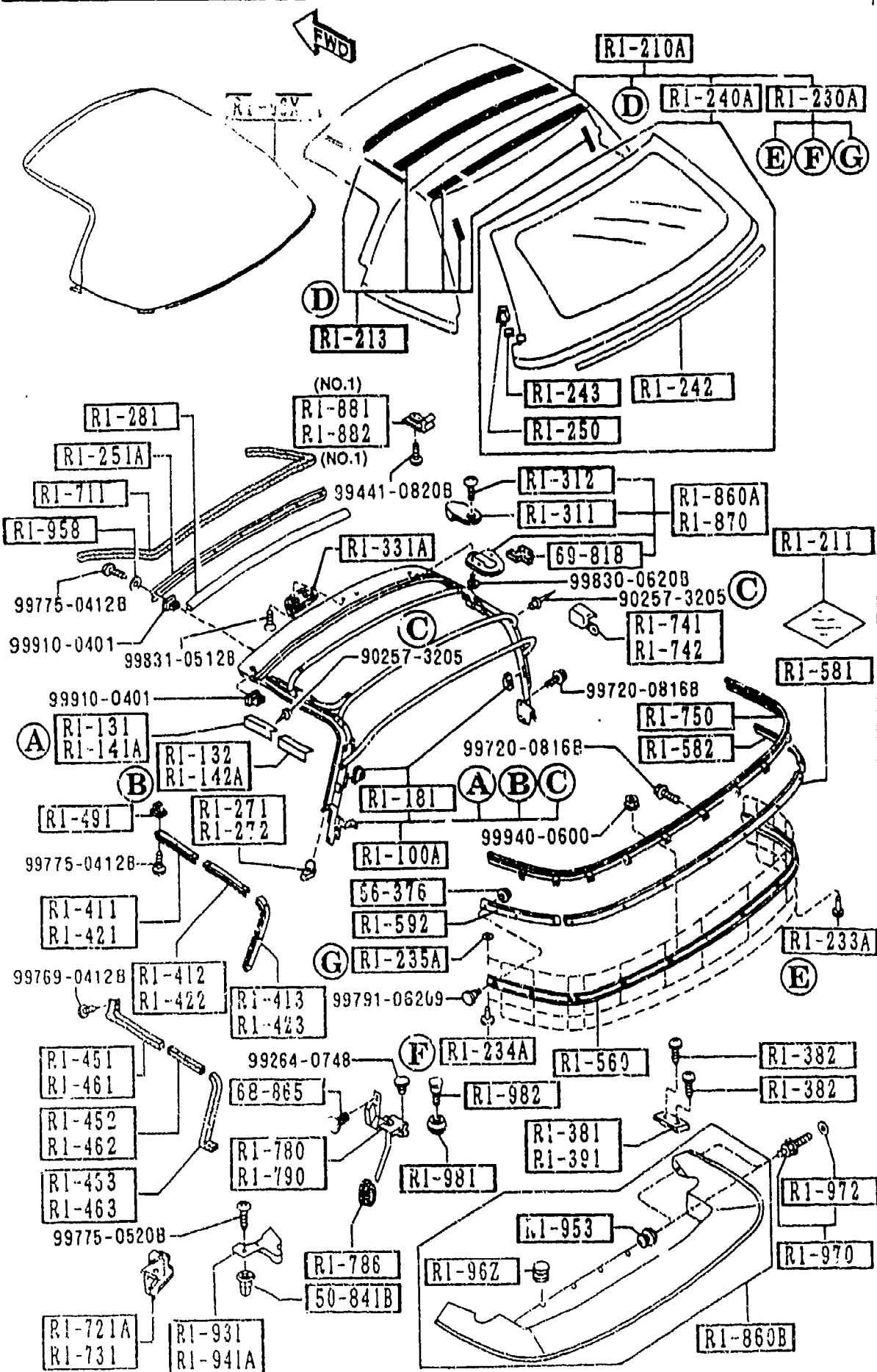
4B01 NA35\* -606043  
 5A02 NA35\* -703043  
 6501 NA35\* -718686

(W/DETACHABLE HARDTOP)



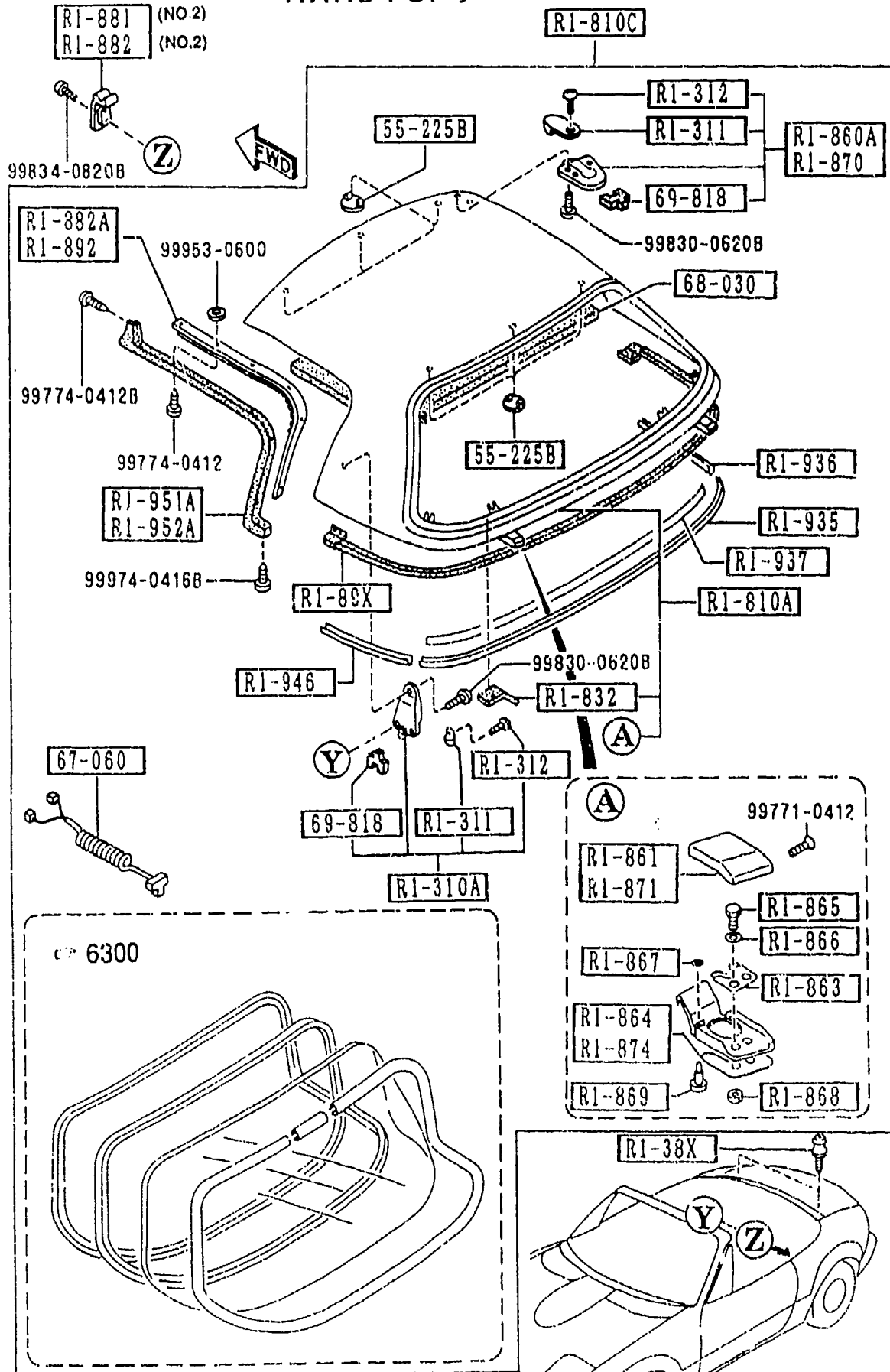
PART NO.	QTY	MODEL/RESTRICTION	MODEL/RESTRICTION	MODEL/RESTRICTION	FROM-TO
CONT'D NOY4-R1-211	1	(DARK GREEN)			5C01-
+-----+   R1-213   +-----+		CLOTH'C', TOP			
NA02-R1-213	1	L-PKG, PKG-C, M-25-E D, (TAN)			
+-----+   R1-230A   +-----+		FASTENER SET, TOP CLO TH			
NA01-R1-230	1				
+-----+   R1-233A   +-----+		FASTENER, RAIN RAIL-S IDE			
NA01-R1-233	8				
+-----+   R1-234A   +-----+		FASTENER, RAIN RAIL-R EAR			
NA01-R1-234	7				
+-----+   R1-235A   +-----+		WASHER, FASTENER-RAIN RAIL			
NA01-R1-235	15				
+-----+   R1-240A   +-----+		WINDOW, BACK-D. TOP			
NAY1-R1-240F AN(NAY1-R-240G)	1	BASE, R-PKG, P.E.GR, PKG-A, PKG-B, (BLACK)			-5A02
NAY2-R1-240C AN(NAY2-R1-240D)	1	L-PKG, PKG-C, M-25-E D, (TAN)			-5A02
NOY5-R1-240 AN(NOY5-R1-240A)	1	(BLUE)			4B01-5A02
NAY1-R1-240G	1	BASE, R-PKG, P.E.GR, PKG-A, PKG-B, (BLACK)			5A02-
NAY2-R1-240D	1	L-PKG, PKG-C, M-25-E D, (TAN)			5A02-
NOY5-R1-240A	1	(BLUE)			5A02-
NOY4-R1-240	1	(DARK GREEN)			5C01-
+-----+   R1-242   +-----+		TAPE, SEAL-RAIN RAIL			
NAY1-R1-242	1				
+-----+   R1-243   +-----+		STOPPER, ZIPPER-BACK WINDOW			
NAY1-R1-243	2				
+-----+   R1-250   +-----+		HEAD, ZIPPER-BACK WIN DOW			

4B01 NA35\* -606043  
5A02 NA35\* -703043  
5C01 NA35\* -706448

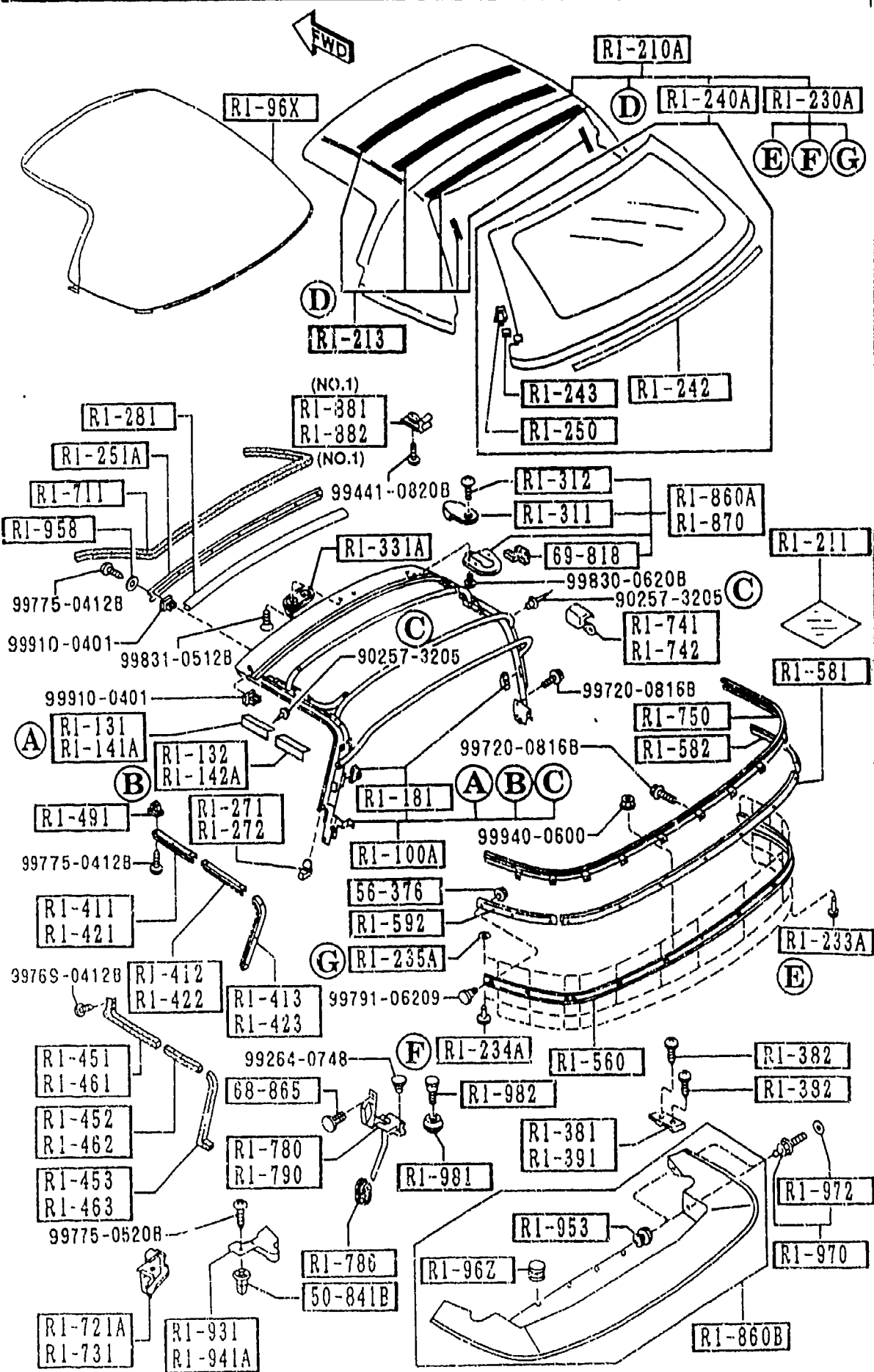


PART NO.	QTY	MODEL/RESTRICTION	MODEL/RESTRICTION	MODEL/RESTRICTION	FROM TO
CONT'D					
NA01-R1-250B	1				
+-----+   R1-251A   +-----+		PLATE(FRT),SET-ROOF PANEL			
NA01-R1-291	1				
+-----+   R1-271   +-----+		CLIP(R),FORM PLATE			
NA01-R1-271	1				
+-----+   R1-272   +-----+		CLIP(L),FORM PLATE			
NA01-R1-272	1				
+-----+   R1-281   +-----+		WELT,SEAMING-SOFT TO P			
NA01-R1-281	1				
+-----+   R1-310A   +-----+		LOCK,DETACHABLE TOP			
NA02-R1-310C	2	OPT, (W/DETACHABLE HARD T OP)			-6401
*NA02-R1-310E	2	OPT, (W/DETACHABLE HARD T OP)			6401-
+-----+   R1-311   +-----+		CAP, TOP LOCK			
NA01-R1-311	2	(W/O DETACHABLE HARD TOP)			
NA01-R1-311	6	OPT, (W/DETACHABLE HARD T OP)			
+-----+   R1-312   +-----+		SCREW, TOP LOCK			
NA01-R1-312	2	(W/O DETACHABLE HARD TOP)			
NA01-R1-312	6	OPT, (W/DETACHABLE HARD T OP)			
+-----+   R1-331A   +-----+		HANDLE,SOFT TOP			
NA01-R1-331	1				
+-----+   R1-38X   +-----+		HOOK,SOFT TOP-REAR D ECK			
NA01-R1-38XB	2				
+-----+   R1-381   +-----+		PLATE(R),HOOK-REAR D ECK			
NA01-R1-381B	1				
6401 NA3** -717787					

(W/DETACHABLE HARDTOP)



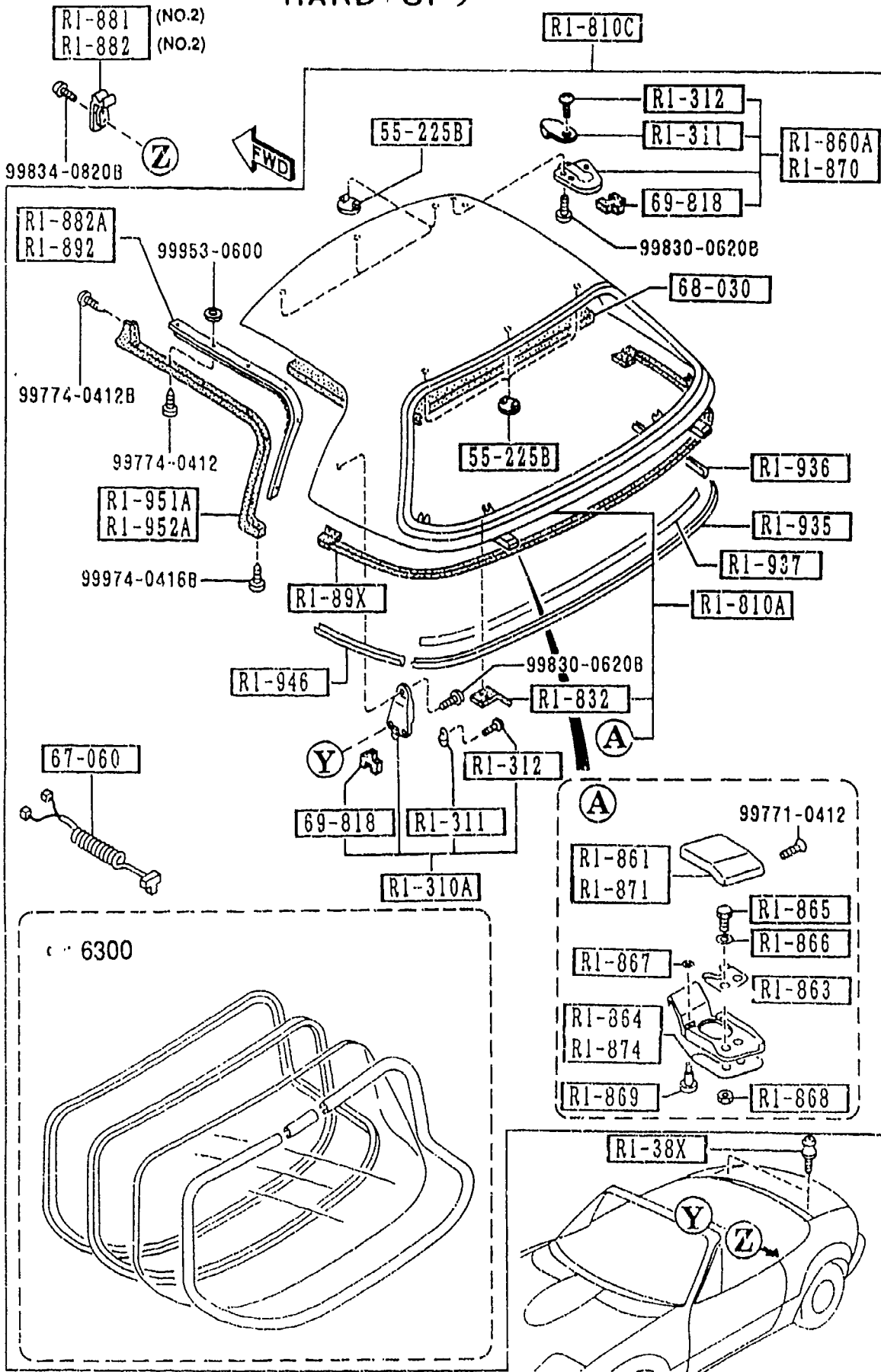
PART NO.	QTY	MODEL/RESTRICTION	MODEL/RESTRICTION	MODEL/RESTRICTION	FROM-TO
RI-382		SCREW, HOOK-REAR DECK			
NA01-RI-382A	2				
RI-391		PLATE(L), HOOK-REAR DECK			
NA01-RI-391B	1				
RI-411		RETAINER'A'(R), WTHST P			
NA01-RI-461	1				
RI-412		RETAINER'B'(R), WTHST P			
NA01-RI-462	1				
RI-413		RETAINER'C'(R), WTHST P			
NA01-RI-463	1				
RI-421		RETAINER'A'(L), WTHST P			
NA01-RI-471	1				
RI-422		RETAINER'B'(L), WTHST P			
NA01-RI-472	1				
RI-423		RETAINER'C'(L), WTHST P			
NA01-RI-473	1				
RI-451		WTHSTP NO.1(R), LINK			
NA01-RI-411B	1				
RI-452		WTHSTP NO.2(R), LINK			
NA01-RI-412D	1				
RI-453		WTHSTP NO.3(R), LINK			
NA01-RI-413B	1				
RI-461		WTHSTP NO.1(L), LINK			
NA01-RI-421B	1				
RI-462		WTHSTP NO.2(L), LINK			
NA01-RI-422B	1				
RI-463		WTHSTP NO.3(L), LINK			
NA01-RI-423B	1				



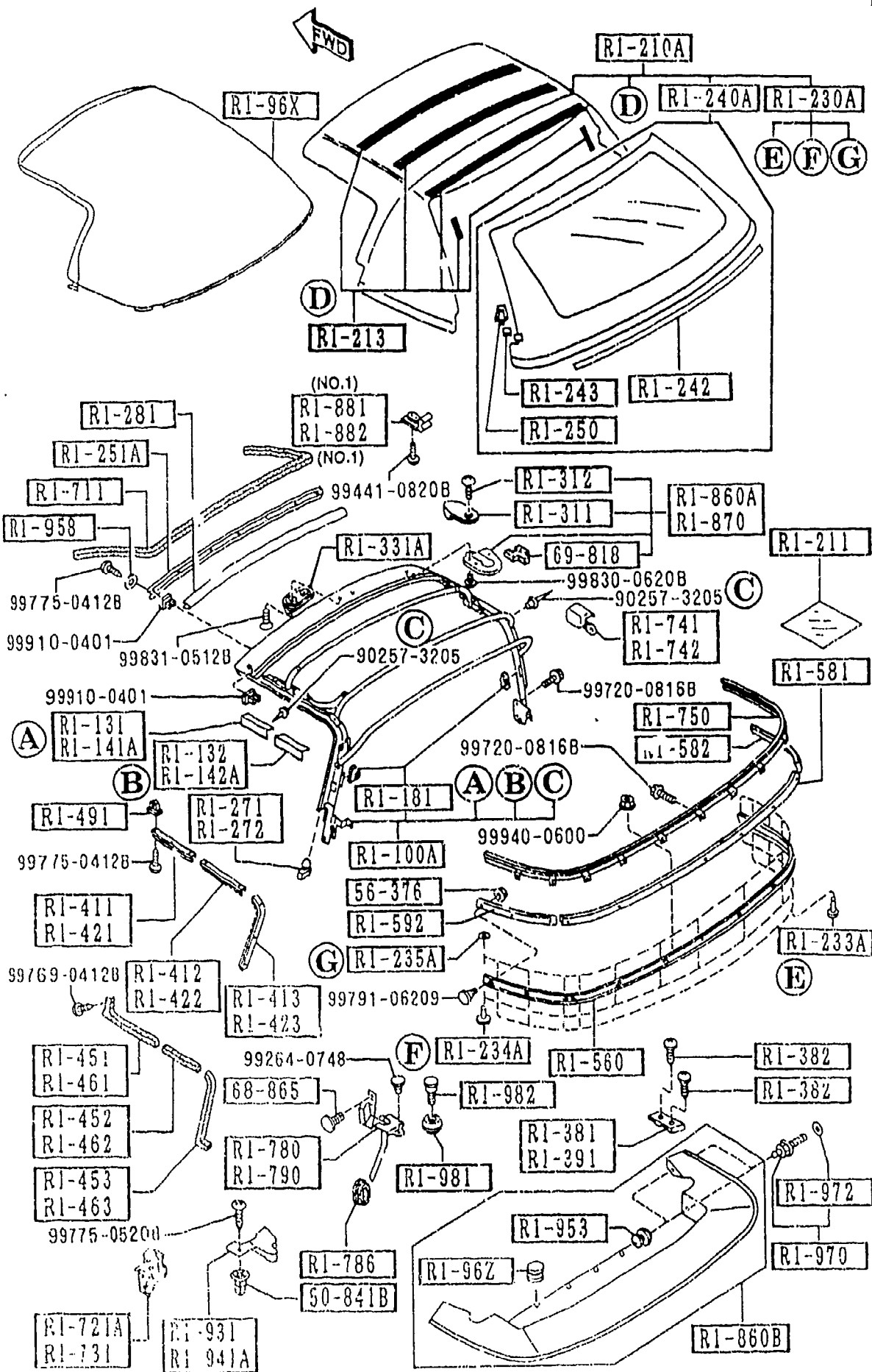
PART NO.	QTY	MODEL/RESTRICTION	MODEL/RESTRICTION	MODEL/RESTRICTION	FROM-TO
RI-491 NA01-RI-491	16	GROMMET, SCREW-RETAINER			
RI-560 NA01-RI-560C	1	RAIL, RAIN-SOFT TOP REAR			
RI-581 NA01-RI-581B	1	PLATE(C), SET-TOP FABRIC			
RI-582 NA01-RI-582A	1	PLATE(R), SET-TOP FABRIC			
RI-592 NA01-RI-592A	1	PLATE(L), SET-TOP FABRIC			
RI-711 NA01-RI-711B	1	WTHSTP, FRONT HEADER			
RI-721A NA01-RI-721B	1	WTHSTP(R), CAB SIDE			
RI-731 NA01-RI-731B	1	WTHSTP(L), CAB SIDE			
RI-741 NA01-RI-741B	1	PROTR(R), MOULD-BELT LINE			
RI-742 NA01-RI-742B A (NA01-RI-742C)	1	PROTR(L), MOULD-BELT LINE			-5C01
*NA01-RI-742C	1				5C01-
RI-750 NA01-RI-750E	1	MOULD, BELTLINE-REAR			
RI-780 NA01-RI-780C	1	COVER(R), DRAIN-SOFT TOP			
RI-786 NA01-RI-786A	2	GROMMET, DRAIN HOSE-TOP			
5C01 NA3** -706448					

2-15

(W/DETACHABLE HARDTOP)



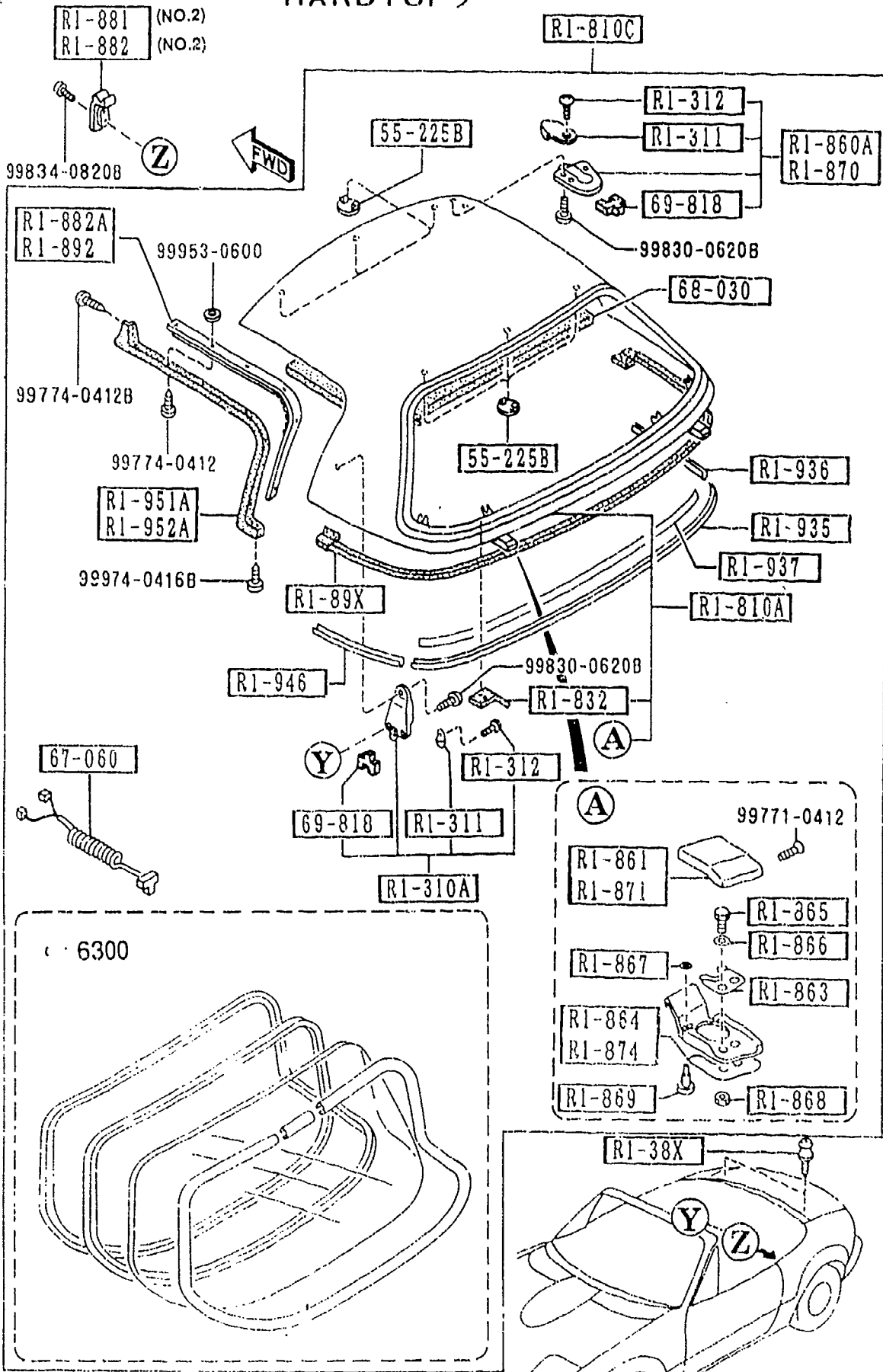
PART NO.	QTY	MODEL/RESTRICTION	MODEL/RESTRICTION	MODEL/RESTRICTION	FROM-TO
+-----+   R1-790   +-----+ NA01-R1-790C	1	COVER(L), DRAIN-SOFT TOP			
+-----+   R1-810A   +-----+ NA06-R1-82X	1	PANEL, ROOF OPT, (W/DETACHABLE HARD TOP)			
HU	EXT-	HU NEO GREEN			
M8	EXT-	M8 MONTEGO BLUE M			
PT	EXT-	PT CHAST WHITE			
PZ	EXT-	PZ BRILLIANT BLACK			
SU	EXT-	SU CLASSIC RED			
6W	EXT-	6W LAGUNA BLUE M.			
+-----+   R1-810C   +-----+ N007-R1-810A	1	ROOF, DETACHABLE TOP OPT, (W/DETACHABLE HARD TOP)			-6201
HU	EXT-	HU NEO GREEN			
M8	EXT-	M8 MONTEGO BLUE M			
PT	EXT-	PT CHAST WHITE			
PZ	EXT-	PZ BRILLIANT BLACK			
SU	EXT-	SU CLASSIC RED			
6W	EXT-	6W LAGUNA BLUE M.			
NB40-R1-810	1	OPT, (W/DETACHABLE HARD TOP)			6201-
A5	EXT-	A5 SATELLITE BLUE MC			
HU	EXT-	HU NEO GREEN			
M8	EXT-	M8 MONTEGO BLUE M			
PT	EXT-	PT CHAST WHITE			
PZ	EXT-	PZ BRILLIANT BLACK			
SU	EXT-	SU CLASSIC RED			
+-----+   R1-832   +-----+ NA01-R1-832A	2	PLATE, CUSHION-D. TOP OPT, (W/DETACHABLE HARD TOP)			
+-----+   R1-860A   +-----+		LOCK(R), TOP			
6201 NA3** -711421					



PART NO.	QTY	MODEL/RESTRICTION	MODEL/RESTRICTION	MODEL/RESTRICTION	FROM-TO
CONT'D					
NA01-R1-310C	1	(W/O DETACHABLE HARD TOP)			-6401
NA01-R1-310C	2	OPT, (W/DETACHABLE HARD TOP)			-6401
*NA01-R1-310E	1	(W/O DETACHABLE HARD TOP)			6401
NA01-R1-310E	2	OPT, (W/DETACHABLE HARD TOP)			6401
NA01-R1-960E	1	BOOT, TOP			-5801
66	INT-	NA3 NA7 NAB BLACK			
88	INT-	NA4 NA5 TAN			
NA01-R1-960F	1				5801-
66	INT-	NA3 NA7 NAB BLACK			
88	INT-	NA4 NA5 TAN			
NA01-R1-861	1	OPT, (W/DETACHABLE HARD TOP)	COVER(R), DECK LOCK		
NA01-R1-863	2	OPT, (W/DETACHABLE HARD TOP)	PLATE, DECK LOCK		
NA01-R1-864	1	OPT, (W/DETACHABLE HARD TOP)	SHEET(R), DECK LOCK		
NA01-R1-865	4	OPT, (W/DETACHABLE HARD TOP)	BOLT, DECK LOCK		
NA01-R1-866	4	OPT, (W/DETACHABLE HARD TOP)	WASHER 'A', DECK LOCK		
NA01-R1-867	2	OPT,	WASHER 'B', DECK LOCK		
5801 NA3**		-704237			
6401 NA3**		-717707			



(W/DETACHABLE HARDTOP)

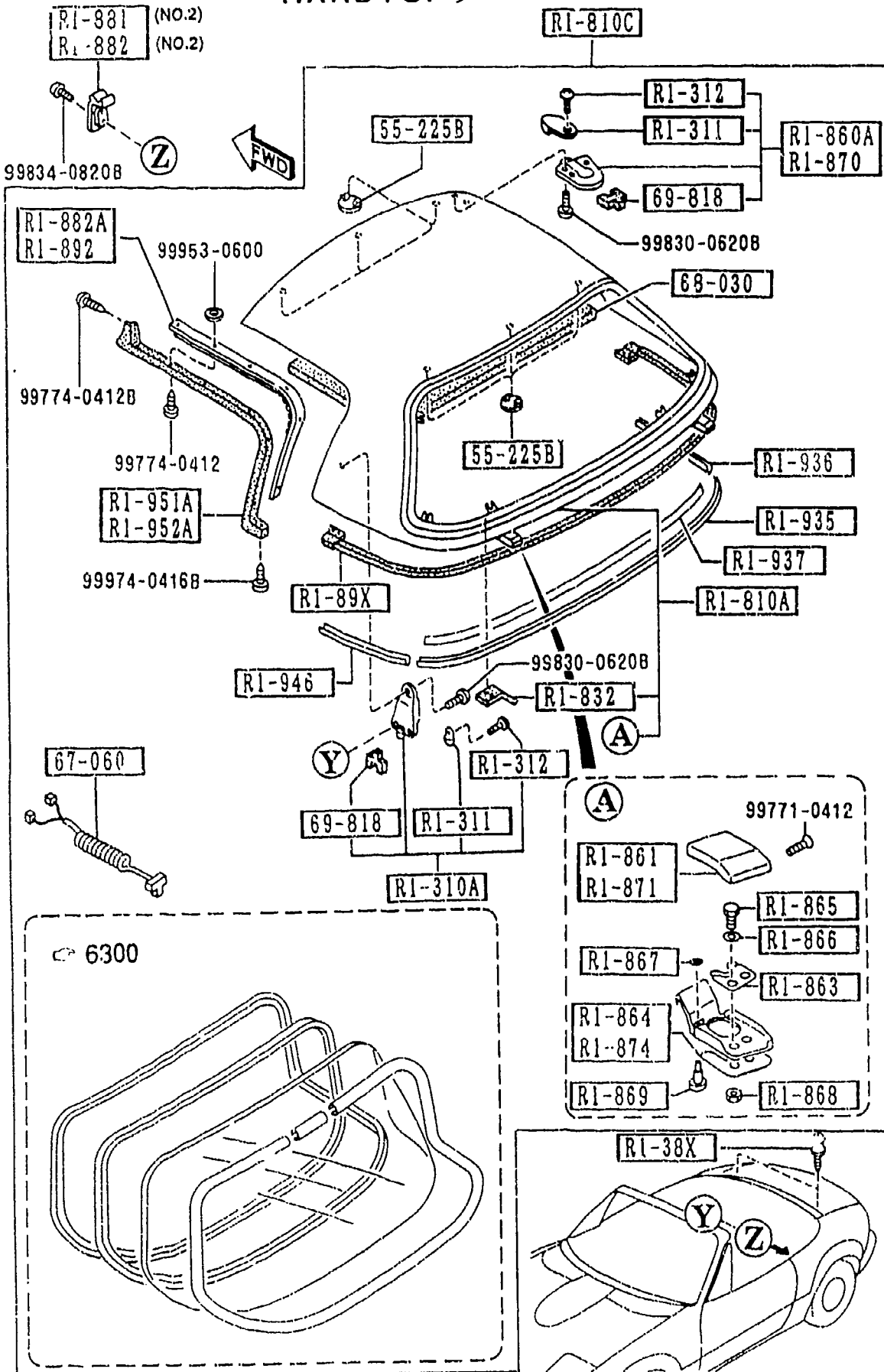


PART NO.	QTY	MODEL/RESTRICTION	MODEL/RESTRICTION	MODEL/RESTRICTION	FROM-10
CONT'D		(W/DETACHABLE HARD TOP)			
NA01-R1-868	4	NUT, DECK LOCK OPT, (W/DETACHABLE HARD TOP)			
NA01-R1-869	2	PIN, DECK LOCK OPT, (W/DETACHABLE HARD TOP)			
NA01-R1-320C	1	LOCK(L), TOP (W/O DETACHABLE HARD TOP)			-6401
NA01-R1-320C	2	OPT, (W/DETACHABLE HARD TOP)			-6401
*NA01-R1-320E	1	(W/O DETACHABLE HARD TOP)			6401-
NA01-R1-320E	2	OPT, (W/DETACHABLE HARD TOP)			6401-
NA01-R1-871	1	COVER(L), DECK LOCK OPT, (W/DETACHABLE HARD TOP)			
NA01-R1-874	1	SHEET(L), DECK LOCK OPT, (W/DETACHABLE HARD TOP)			
NA01-R1-361B	1	STRIKER(R), LOCK-TOP (ILLUST. NO.1)			-6401
NA02-R1-361B	1	OPT, (ILLUST. NO.2) (W/DETACHABLE HARD TOP)			-6401
*NA01-R1-361D	1	(ILLUST. NO.1)			6401-
*NA02-R1-361D	1	OPT, (ILLUST. NO.2) (W/DETACHABLE HARD TOP)			6401-
6401 NA3**		STRIKER(L), LOCK-TOP -717787			

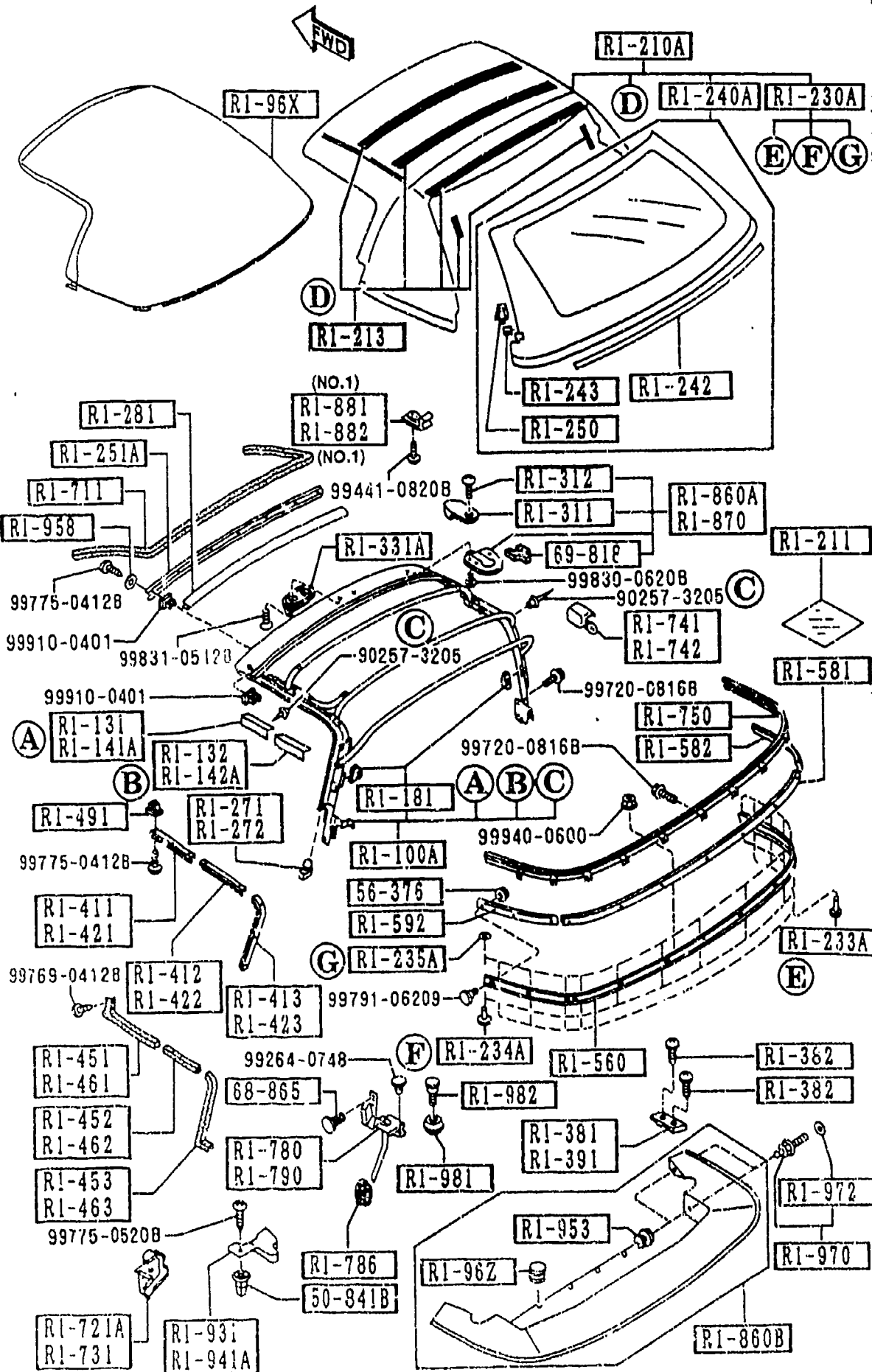




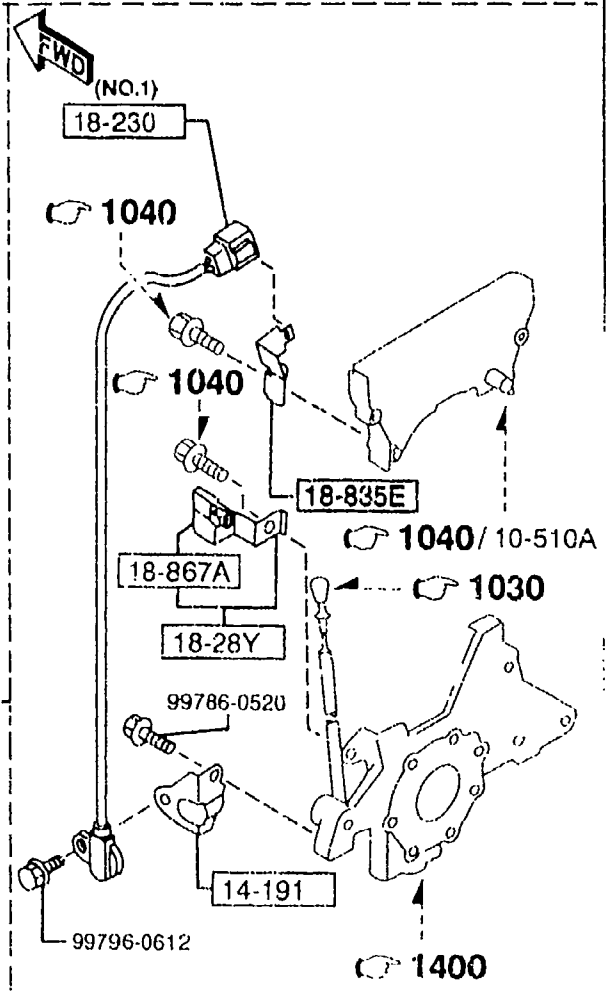
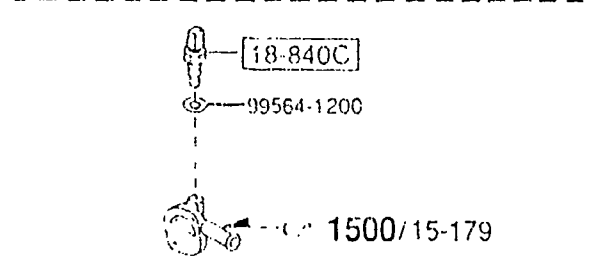
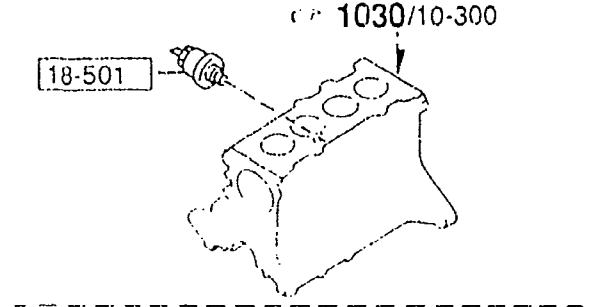
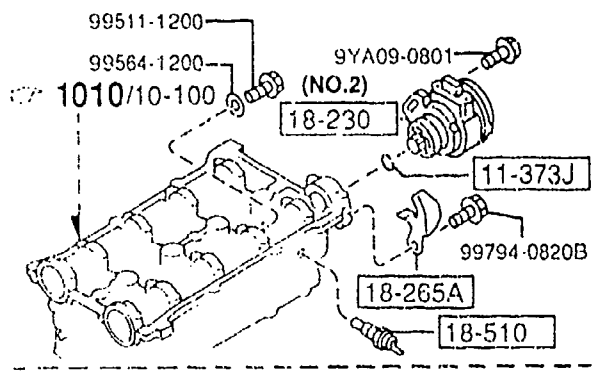
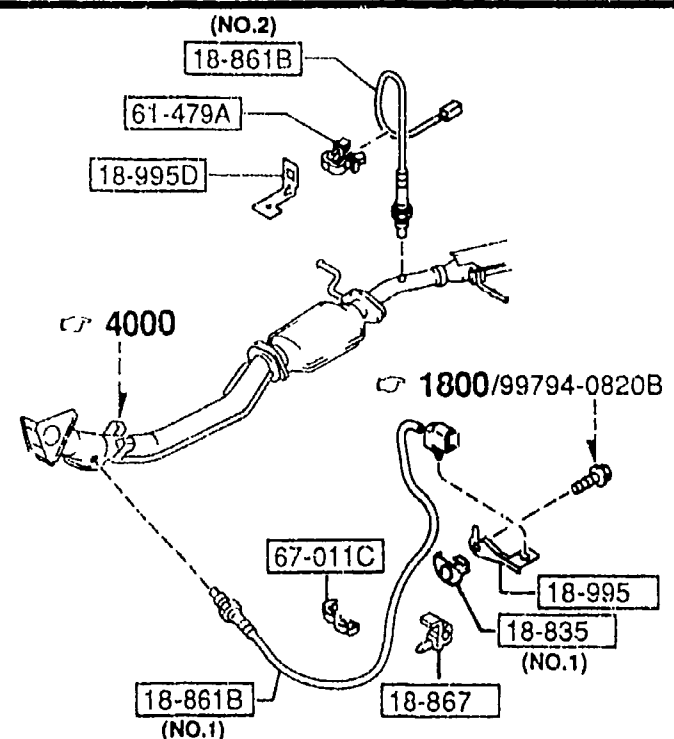
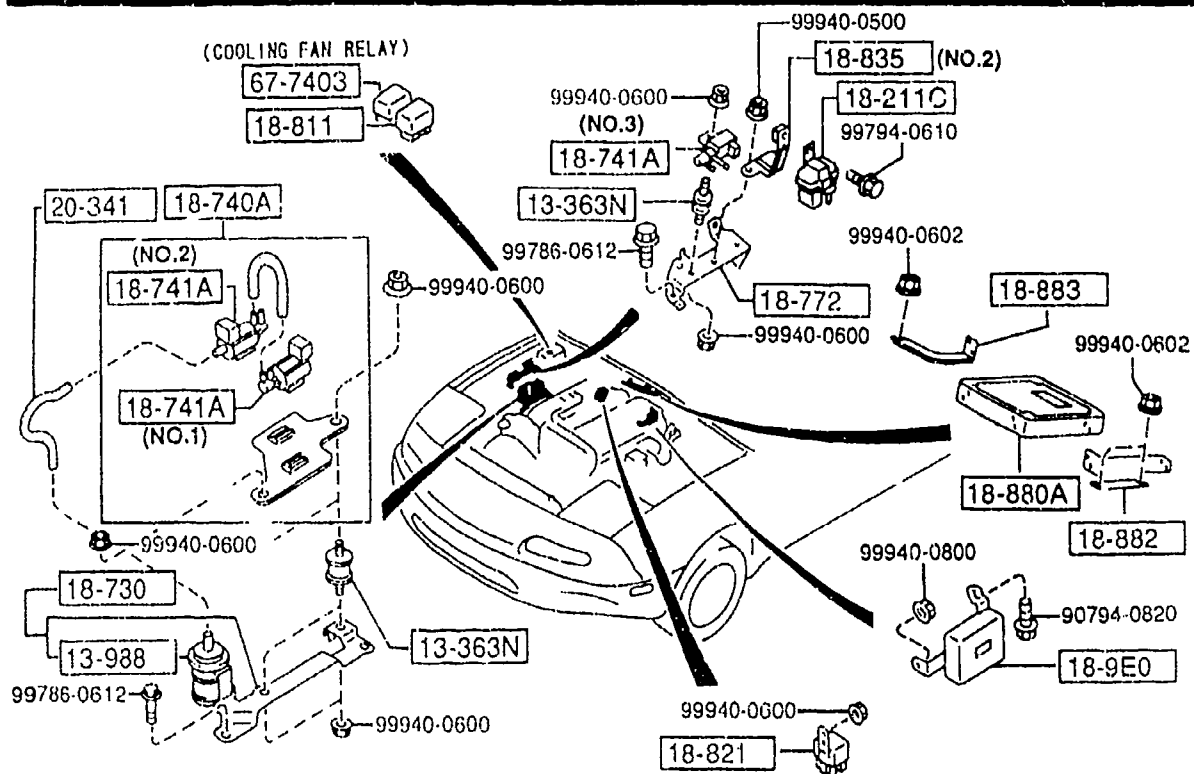
(W/DETACHABLE HARDTOP)



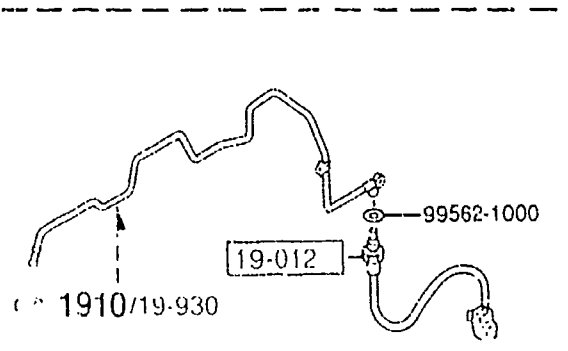
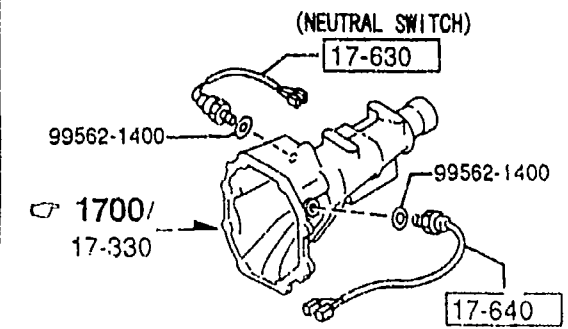
PART NO.	QTY	MODEL/RESTRICTION	MODEL/RESTRICTION	MODEL/RESTRICTION	FROM-TO
CONT'D		(W/DETACHABLE HARD TOP)			
RI-951A	1	WTHSTP(R), ROOF PANEL			
NA01-RI-881B	1	OPT, (W/DETACHABLE HARD TOP)			
RI-952A	1	WTHSTP(L), ROOF PANEL			
NA01-RI-891B	1	OPT, (W/DETACHABLE HARD TOP)			
RI-953	4	HOOK, HOOD-REAR CORNER			
B235-RI-953	4				
RI-958	7	WASHER, HOOK 'A' & 'B'			
B235-RI-958A	7				
RI-96X	1	COVER, TOP FABRIC			
NA01-RI-96XC	1	(W/O DETACHABLE HARD TOP)			5801-
AN(NA01-RI-96XD)	1	(W/O DETACHABLE HARD TOP)			5801-
RI-96Z	7	HOOK, TOP BOOT			
NA01-RI-96Z	7				
00	INT-	NA3 NA7 NA8 BLACK			
75	INT-	NA4 NA5 NA6 SILVER			
RI-970	4	HOOK, REAR DECK			
NA01-RI-970A	4				
RI-972	4	WASHER, HOOK 'A'			
NA01-RI-926	4				
RI-981	2	STOPPER, SOFT TOP			
NA01-RI-981A	2				
RI-982	2	BOLT, STOPPER-SOFT TOP			
NA01-RI-982A	2				6201-
AN(NA01-RI-982B)	2				6201-
*NA01-RI-982B	2				
5801 NA3** -704237					
6201 NA3** -711421					



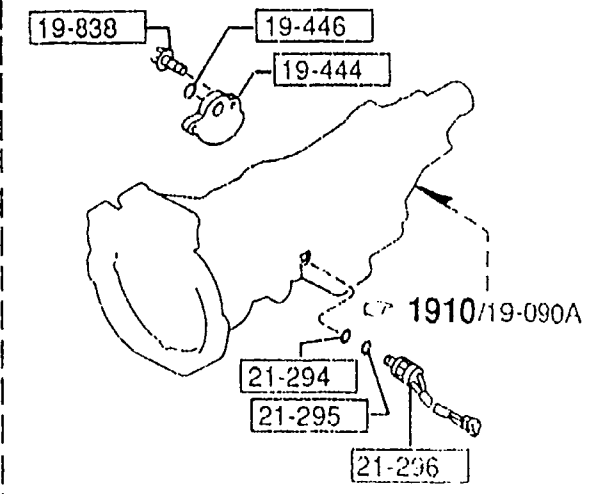
PART NO.	QTY	MODEL/RESTRICTION	MODEL/RESTRICTION	MODEL/RESTRICTION	FROM-TO
50-841B	2	GROMMET, SCREW			
H260-50-841					
55-225B	6	COVER, HOLE			
GR30-55-225					
		OPT, (W/DETACHABLE HARD TOP)			
00	INT-	NA3 NA4 NA5 NA6 NA7 NA8 BLACK			
56-376	13	NUT, SELF LOCK			
B001-56-376					
67-060	1	HARNES NO. 2, REAR			
N007-67-060A					
		OPT, (W/DETACHABLE HARD TOP)			
68-030	1	CEILING, TOP			
N007-68-031					
		OPT, (W/DETACHABLE HARD TOP)			
00	INT-	NA3 NA4 NA5 NA6 NA7 NA8 BLACK			
68-865	2	FASTENER			
G032-68-865A					
00	INT-	NA3 NA4 NA5 NA6 NA7 NA8 BLACK			
69-818	2	PAD			
NA01-R1-313					
		(W/O DETACHABLE HARD TOP)			
NA01-R1-313	6	OPT, (W/DETACHABLE HARD TOP)			

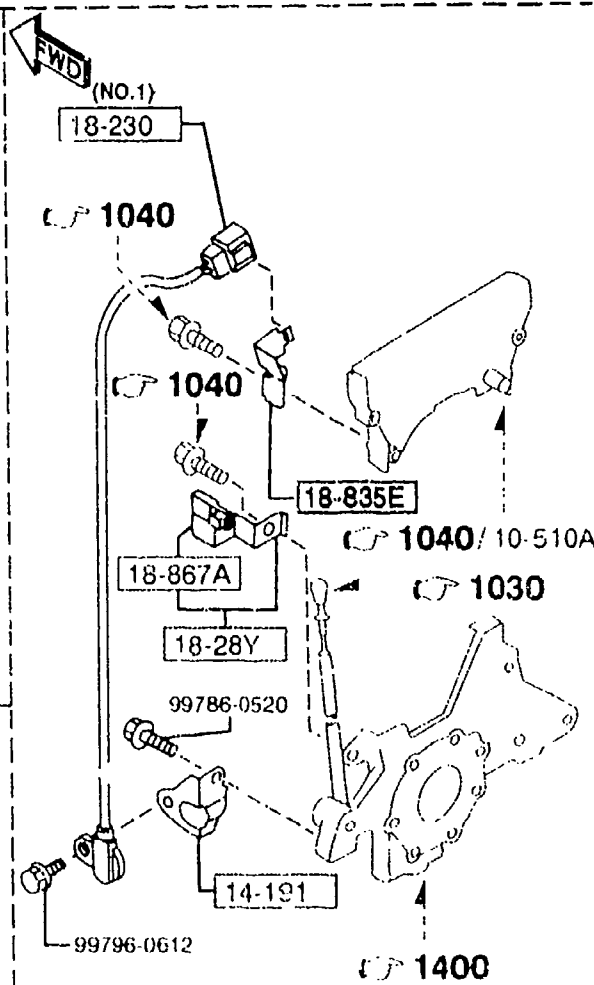
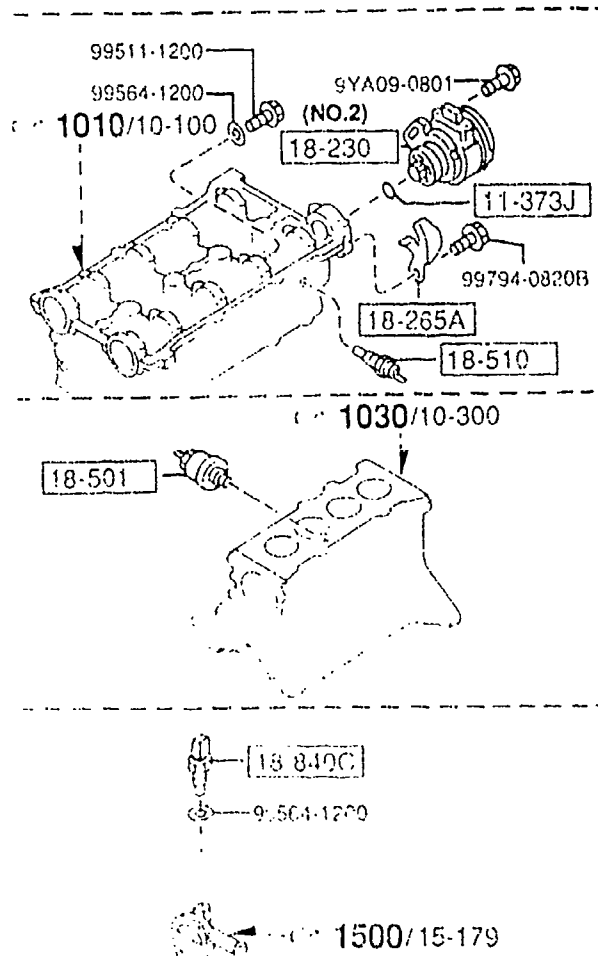
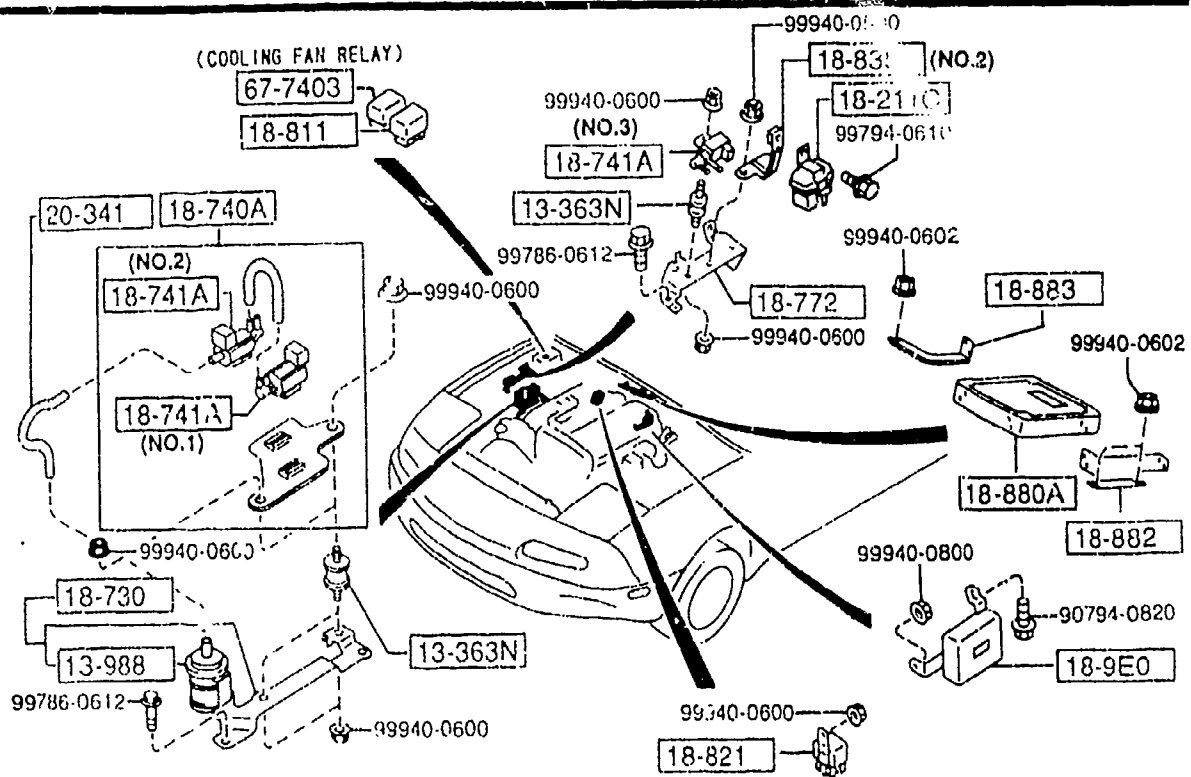


(MT)



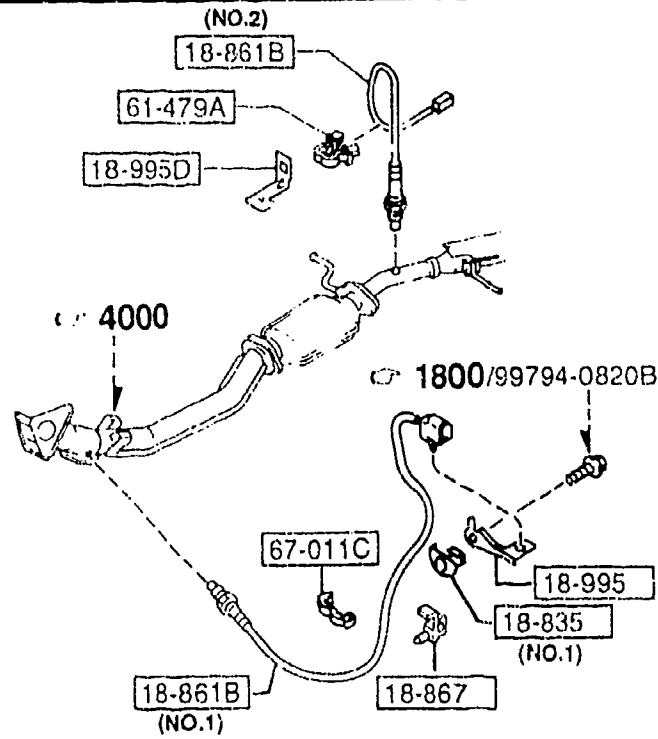
(AT)





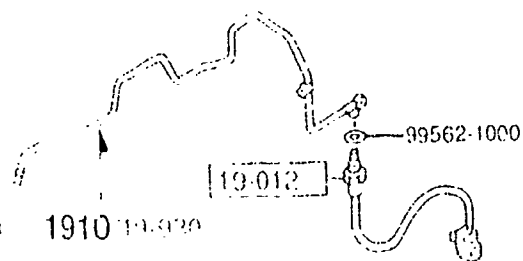
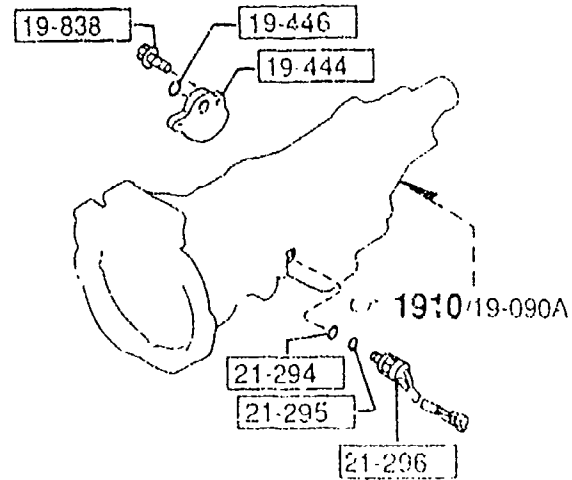
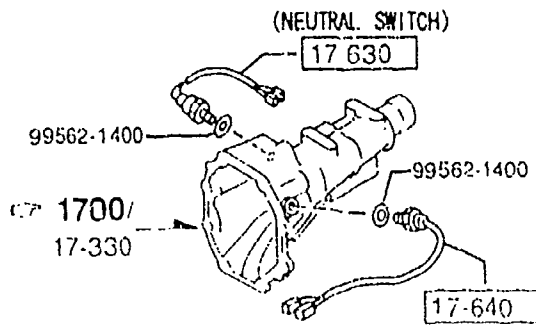
PART NO.	QTY	MODEL/RESTRICTION	MODEL/RESTRICTION	MODEL/RESTRICTION	FROM-TO
11-373J	1	RING, 'O'			
99541-03801	1				
13-363N	3	RUBBER, MOUNTING			
0222-13-363	3				
13-988	1	FILTER, AIR			
RFG1-13-988A	1				-5901
14-191	1	BRACKET, OIL PUMP			
B6BF-14-190	1	('96 MODEL)			
17-630	1	SWITCH			
8118-17-640B	1	(NEUTRAL SWITCH) (MT)			
17-640	1	SWITCH, BACK UP LAMP			
M506-17-640A	1	(MT)			
18-211C	1	SENSOR, M.A.P.			
BPS1-18-211	1	('96 MODEL)			
18-230	1	SENSOR, CRANKSHAFT POSI.			
BPS1-18-221	1	(ILLUST. NO.1) ('96 MODEL)			
BPE8-18-230	1	(ILLUST. NO.2)			
18-265A	1	BRACKET, COUPLER-KNOCK SENSOR			
BPE8-18-281A	1				
18-28Y	1	BRACKET, CONDENSER			
B6BF-18-28Y	1	('96 MODEL)			
18-501	1	SWITCH, OIL PRESSURE			
B367-18-501	1				
18-510	1	UNIT, HEAT GAUGE			
B541-18-51X	1	PANASONIC			
KL01-18-51X	1	NIHON THERMOSTAT			

5901 NA3\*\* -702989



(MT)

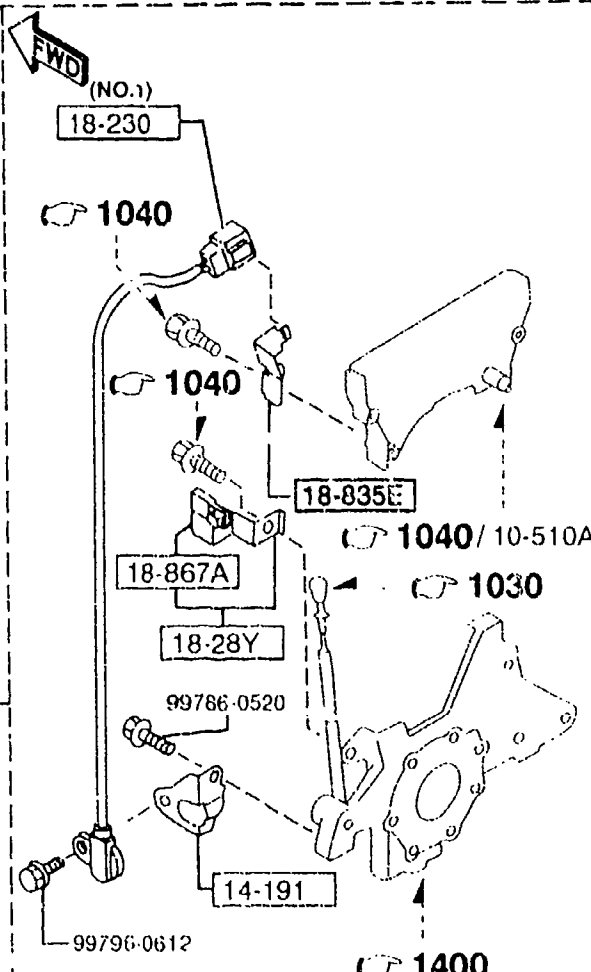
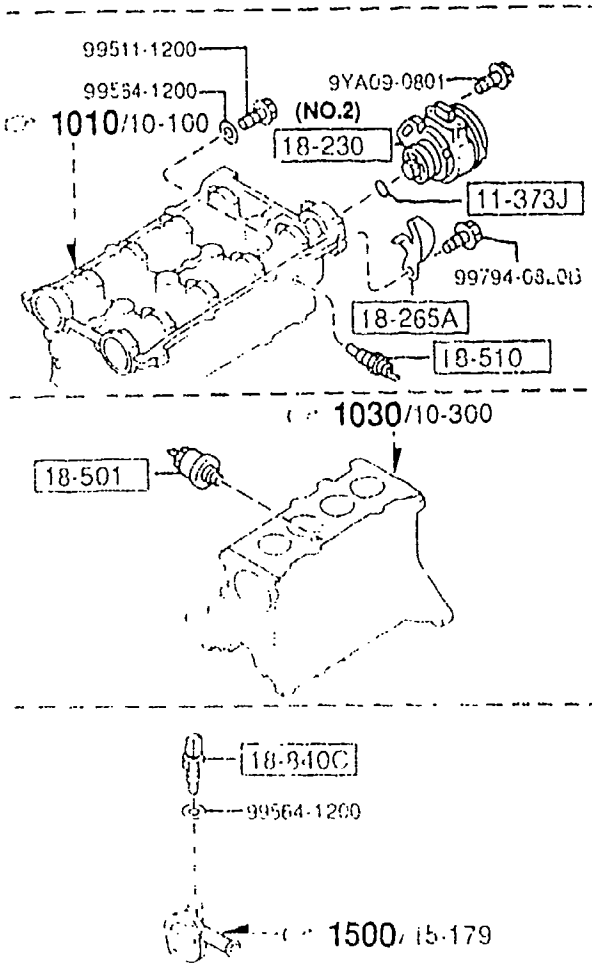
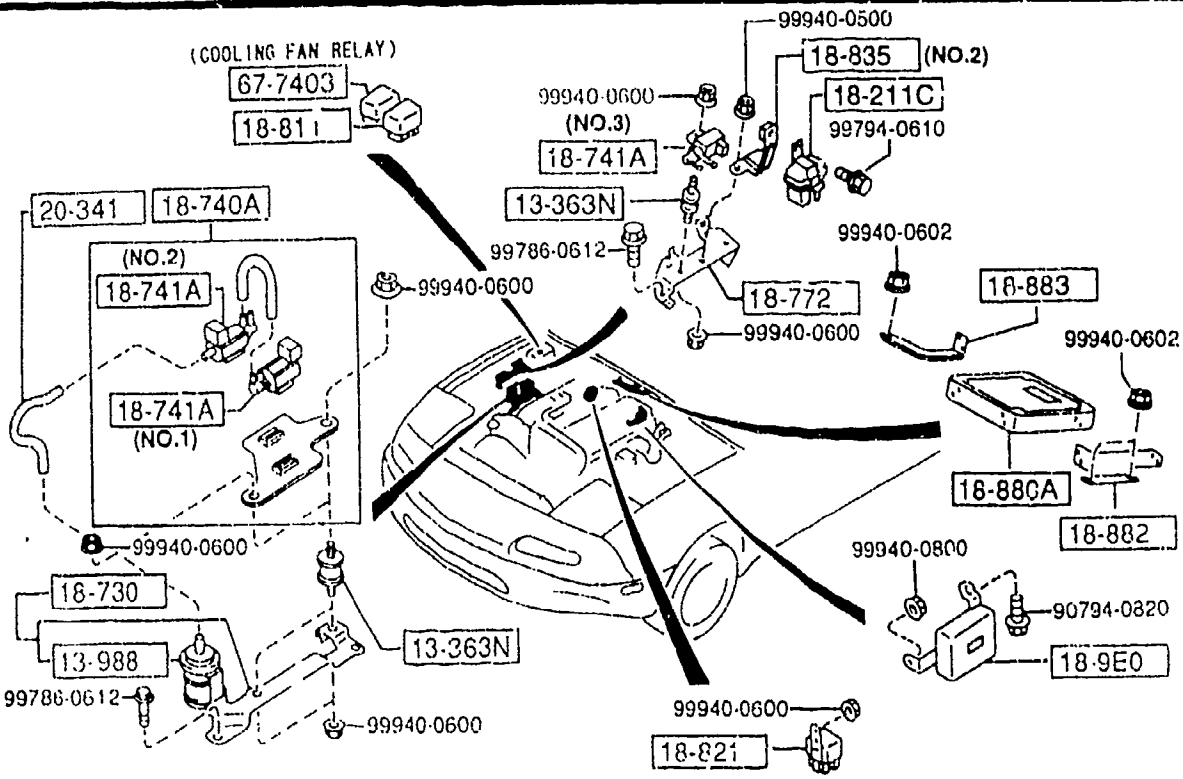
(AT)



PART NO.	QTY	MODEL/RESTRICTION	MODEL/RESTRICTION	MODEL/RESTRICTION	FROM-TO
18-730		FILTER, AIR			
BPE8-18-730	1				-5901
BPE8-18-730A	1				5901-
18-740A		VALVE, SOLENOID			
BPE8-18-74X A (BPE8-18-74XA)	1				-5901
BPE8-18-74XA	1				5901-
18-741A		VALVE, THREE WAY			
F2L3-18-741	1	(ILLUST. NO.1)			
F2L4-18-741	1	(ILLUST. NO.2)			
JE16-18-741	1	NIHON OIL SEAL (ILLUST. NO.3)			
18-772		BRACKET, IGNITER			
BPE8-18-2F0	1	('95 MODEL)			
B61P-18-2F0B	1	('96 MODEL)			
18-811		RELAY, MAIN			
B658-18-811	1				-6701
B5B4-18-811	1				6701-
18-821		RELAY, FUEL PUMP			
B577-18-821A	1				
18-835		BRACKET, WIRE CLIP-CX YGEN			
BPS1-18-835A	1	(ILLUST. NO.2) ( '96 MODEL)			
BPE8-18-830B	1	(ILLUST. NO.1)			
18-835E		BRACKET, BOOST SENSOR			
BPS2-18-835	1	( '96 MODEL)			
18-840C		SENSOR, TEMP. -ENG. COO LANT DENSO			
B593-18-840A	1				
18-861B		SENSOR, OXYGEN			
BPS1-18-862B	1	(ILLUST. NO.2) ( '96 MODEL)			

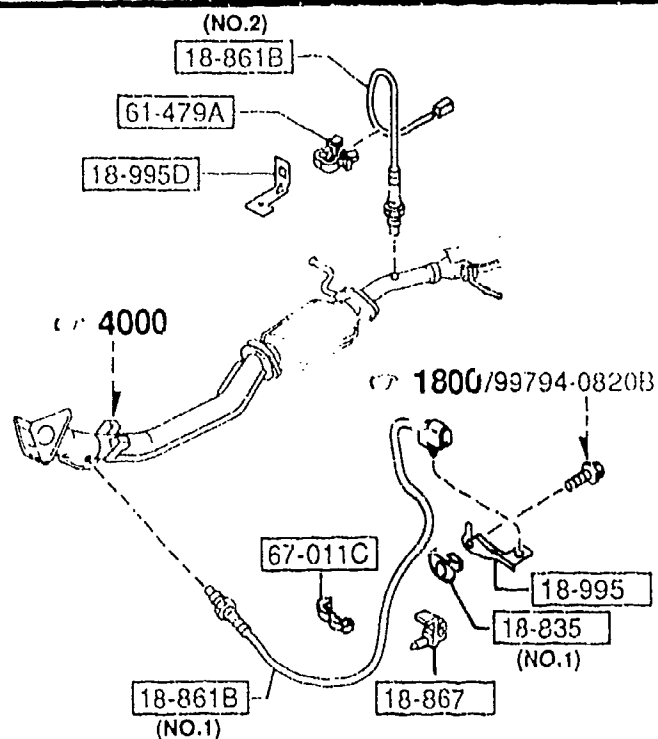
5901 NA3\*\* -702989  
6701 NA3\*\* -719627



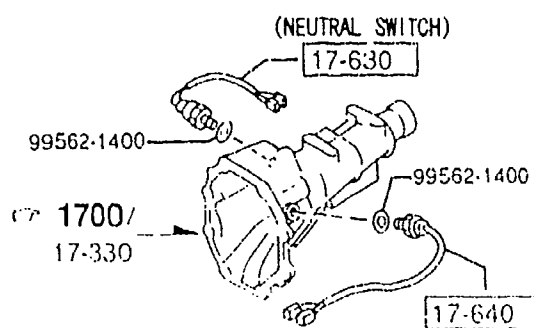


PART NO.	QTY	MODEL/RESTRICTION	MODEL/RESTRICTION	MODEL/RESTRICTION	FROM-TO
CONT'D					
BPE8-18-861A	1	(ILLUST. NO.1)			
18-867		CLIP			
BPE8-18-867A	1				
18-867A		CLIP, WIRE			
B366-18-867A	1	('96 MODEL)			
18-880A		MODULE, POWERTRAIN CONTROL			
BPL9-18-881A (BPL9-18-881B)	1	('95 MODEL)			-5130
BPS1-18-881A (BPS1-18-881B)	1	('96 MODEL)			-5B29
BPL9-18-881B	1	('95 MODEL)			5130-
BPS1-18-881B	1	('96 MODEL)			5B29-
18-882		BRACKET, CONTROL UNIT			
BPE8-18-882	1				
18-885		BRACKET, CONTROL UNIT			
BPE8-18-883A	1	('95 MODEL)			
BPS1-18-883	1	('96 MODEL)			
18-9E0		MODULE, PWT. CONT. -A/T			
BPE9-18-9E1A	1	((('95 MODEL))>(AT) )			
BPS2-18-9E1	1	((('96 MODEL))>(AT) )			
18-995		CLIP			
BPE8-18-998B	1				
18-995D		BRACKET, COUFLER-02 SENSOR			
3PS1-18-998B	1				
19-012		SENSOR, OIL TEMP			
N451-19-012A	1	(AT)			
19-444		SWITCH INHIBITOR			
N451-19-444	1	(AT)			
19-446		RING			
0338-19-446	1	(AT)			

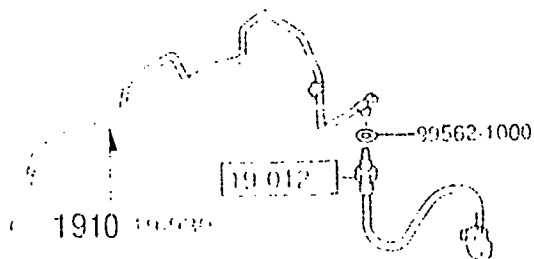
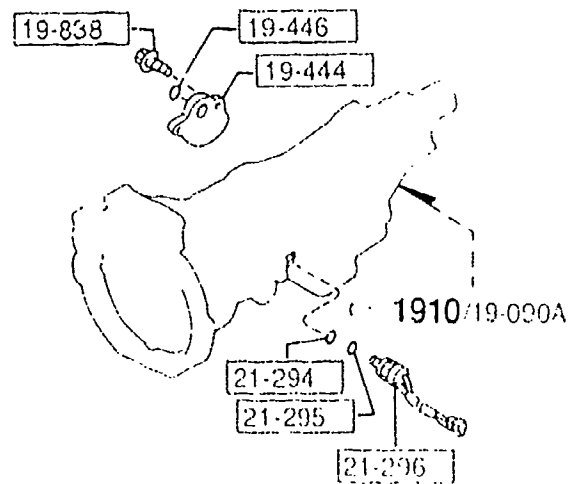
5130 NA35\* -613967  
5B29 NA3\*\* -706256



(MT)



(AT)

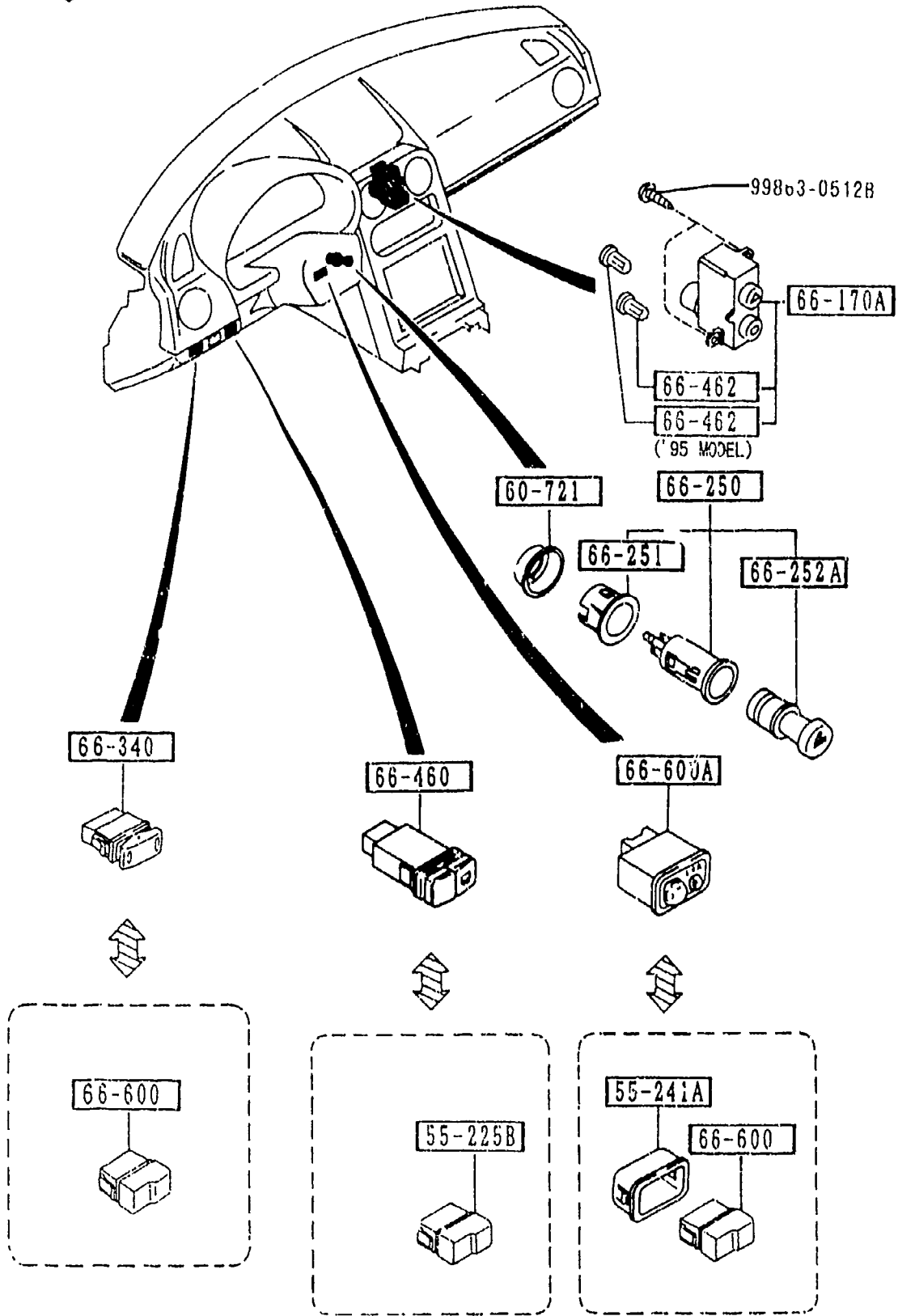


PART NO.	QTY	MODEL/RESTRICTION	MODEL/RESTRICTIO	MODEL/RESTRICTION	FROM-TO
19-838		BOLT-HEX,HD WASHER			
1758-19-838A	2	(AT)			
20-341		HOSE,VACUUM			
BPE8-20-341	1				-5901
21-294		RING,'O'			
BU01-21-294	1	(AT)			
21-295		RING,'O'			
BU01-21-295	1	(AT)			
21-296		SOLENOID,LOCK UP CON TROL			
N451-21-3A5	1	(AT)			
61-479A		CLIP			
UB39-61-479A	1	('96 MODEL)			
67-011C		CLIP			
E356-18-141	1				
67-7403		RELAY,N.O.			
LA10-67-740	1	10A (COOLING FAN RELAY)			

5901 NA3\*\* -702989

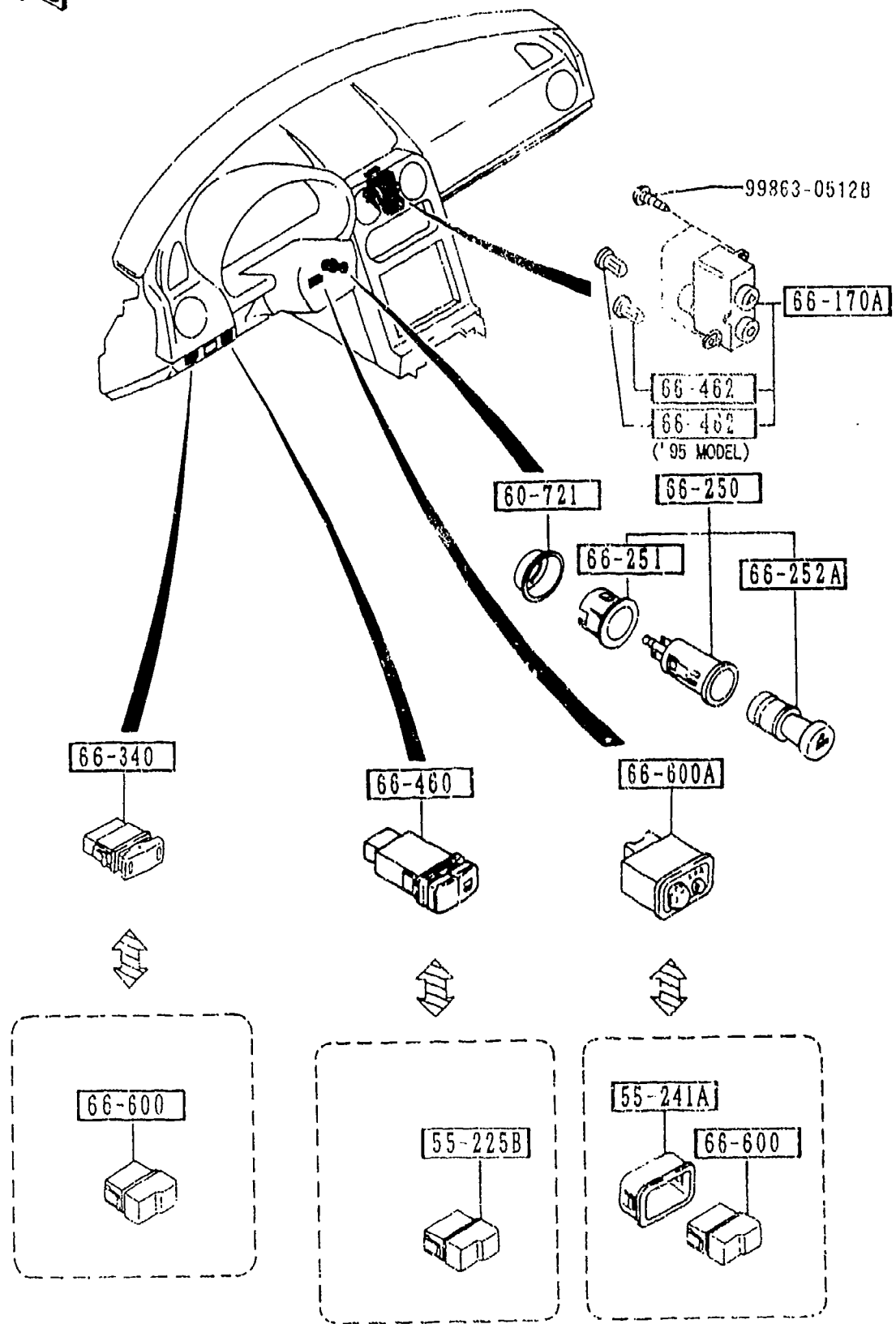




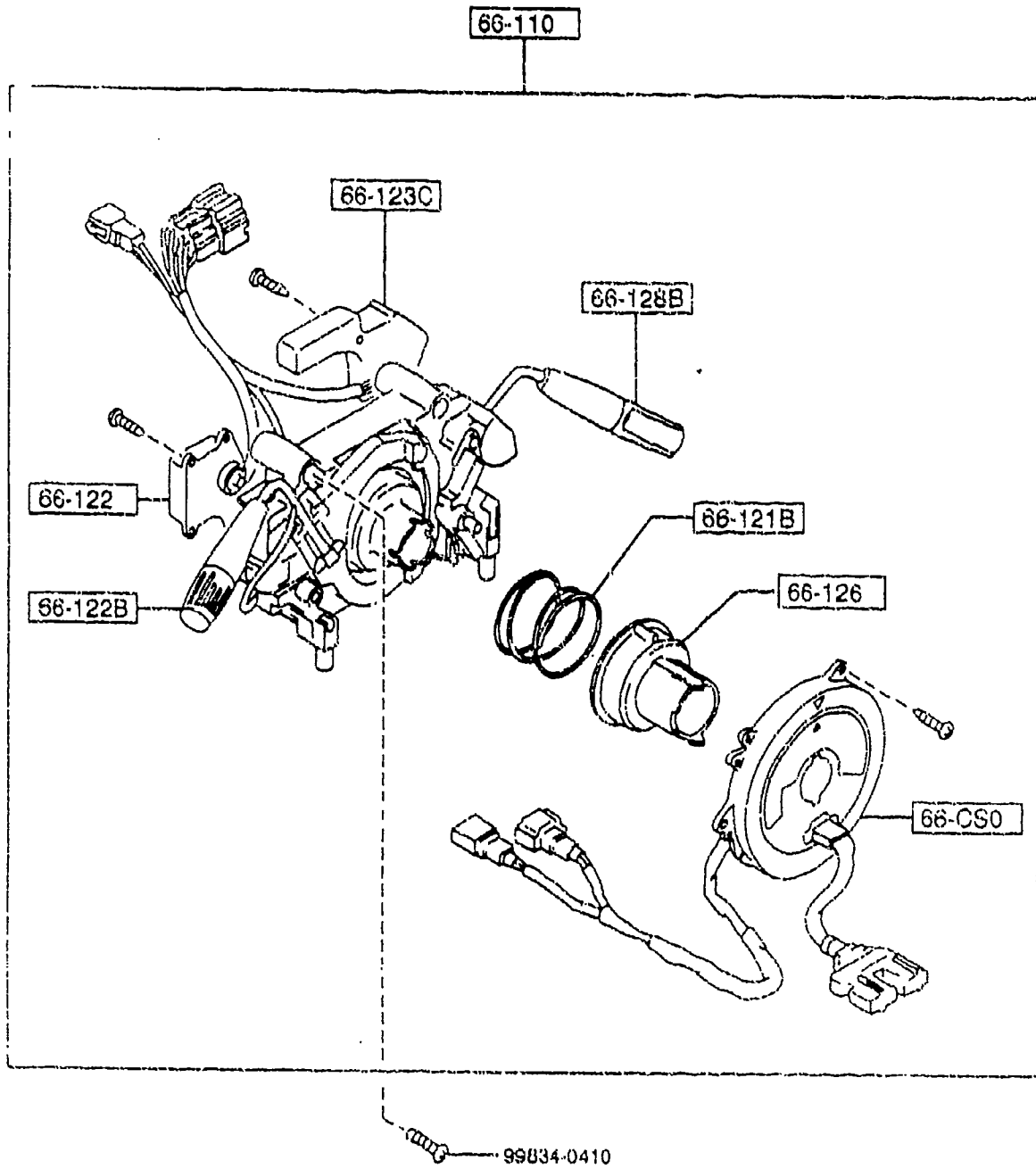


PART NO.	QTY	MODEL/RESTRICTION	MODEL/RESTRICTION	MODEL/RESTRICTION	FROM-TO
55-225D		COVER, HOLE			
B481-55-225	1	(W/O DETACHABLE HARD TOP)			-4A03
N034-55-225	1	(W/O DETACHABLE HARD TOP)			4A03-
55-241A		BOX, INSTRUMENT PANEL			
NA01-55-241A	1	BASE, R-PKG, (MANUAL) (MANUAL TYPE DR MIRROR)			
60-721		PROTECTOR			
B092-66-241A	1	('95 MODEL)			-5508
66-170A		SWITCH(R), CLUSTER			
NA01-66-170	1	('95 MODEL)			
N041-66-170A	1	('96 MODEL)			
66-250		LIGHTER, CIGAR			
B150-66-250	1				
66-251		RING, ILLUMINATION			
B001-66-251	1				
66-252A		PLUG, CIGAR LIGHTER			
B001-66-252	1				
66-340		SWITCH, MAIN			
NA01-66-340A	1	M-25-ED, P.E.GR, L-PKG, PKG-B, PKG-C, (W/AUTO CRUISE.CONT.)			
66-460		SWITCH, RR. DEF.			
NA75-66-460	1	OPT, (W/DETACHABLE HARD TOP)			
66-462		BULB'B', SWITCH-RR DEF. FOGER			
NA01-66-462	1	('96 MODEL)			
NA01-66-462	2	('95 MODEL)			
66-600		COVER, HOLE			

4A03 NA35\* -603621  
5508 NA35\* -620210

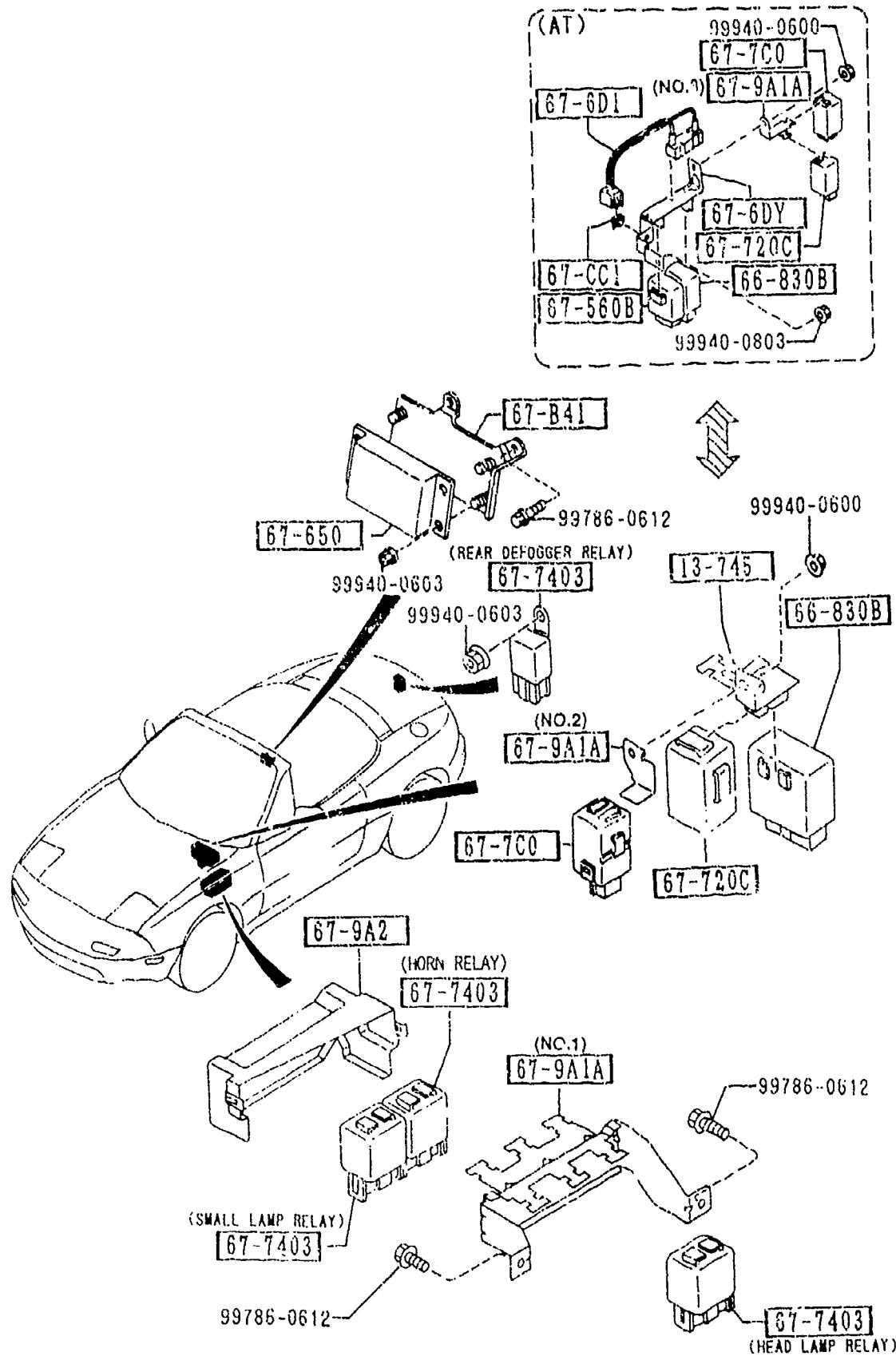


PART NO.	QTY	MODEL/RESTRICTION	MODEL/RESTRICTION	RESTRICTION	FROM-TO
CONT'D B481-55-225	2				
+-----+   66-600A		SWITCH, RMT. MIRROR			
+-----+ NA52-66-600A	1	M-25-ED, P.E.GR, L-P KG, PKG-A, PKG-B, PK G-C. (ELECT.) (ELECT. TYPE DR MIRR OR)			

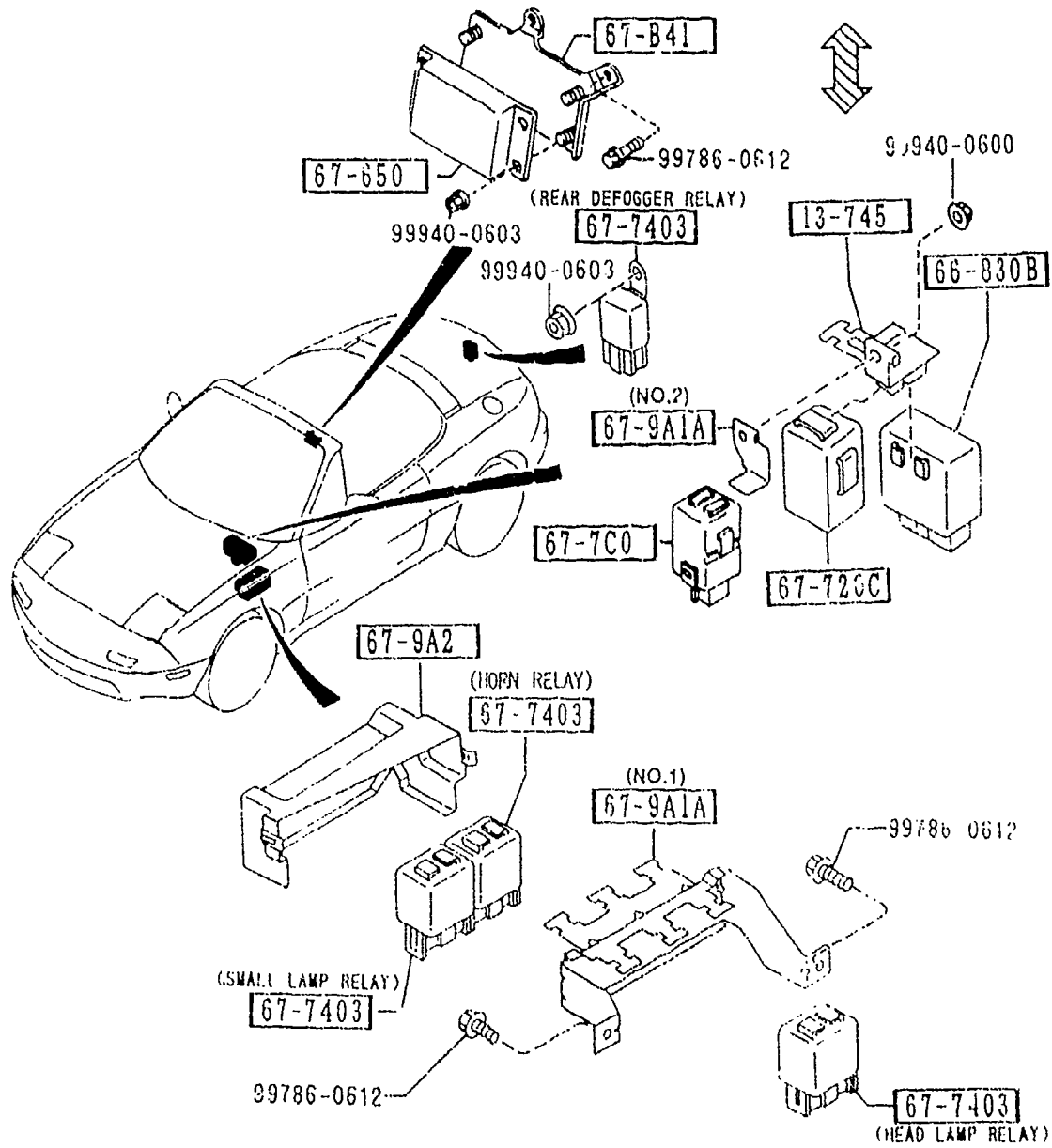
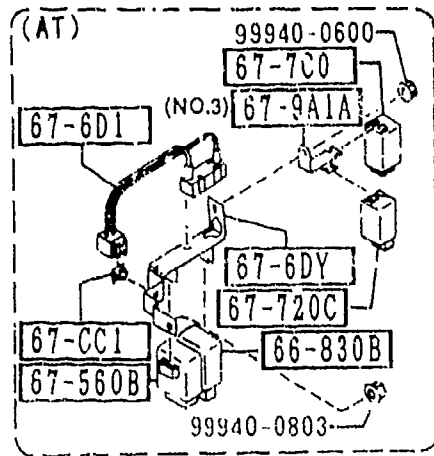


PART NO.	QTY	MODEL/RESTRICTION	MODEL/RESTRICTION	MODEL/RESTRICTION	FROM-TO
66-CS0		SPRING,CLOCK			
*NB17-66-CS0	1				
66-110		SWITCH,COMBINATION			
NA01-66-120B	1	BASE, R-PKG, PKG-A, (W/O AUTO CRUISE.CON T.)			-4C01
NA02-66-120B	1	M-25-ED, P.E.GR, (P KG, PKG-B, PKG-C, (W/AUTO CRUISE.CON T.)			-4C01
NB17-66-120	1	BASE R-PKG, PKG-A, (W/O AUTO CRUISE.CON T.)			4C01-
NB18-66-120	1	M-25-ED, P.E.GR, L-P KG, PKG-B, PKG-C, (W/AUTO CRUISE.CON T.)			4C01-
66-121B		SPRING,CANCEL CAM			
*H384-66-121	1				
66-122		SWITCH,DIMMER			
*NA02-66-136	1				
66-122B		SWITCH,LIGHT & TURN			
*NA02-66-122	1				
66-123C		UNIT,WIPER-COMB. SWI TCH			
*NA07-66-135	1				
66-126		CAM,CANCEL-COMB. SW.			
*N 02-66-126	1				
66-128B		LEVER,WIPER-COMB. SW ITCH			
*NA01-66-128	1	BASE, R-PKG, PKG-A, (W/O AUTO CRUISE.CON T.)			
*NA02-66-128	1	M-25-ED, P.E.GR, i-P KG, PKG-B, PKG-C, (W/AUTO CRUISE.CON T.)			

4C01 NA35\* -609691



PART NO.	QTY	MODEL/RESTRICTION	MODEL/RESTRICTION	MODEL/RESTRICTION	FROM TO
13-745		BRACKET, RELAY			
NA02-67-9A1	1	(MT)			
66-830B		UNIT, FLASHER			
HE01-66-830	1				
67-B41		BRACKET, DASHBOARD HARNESS			
NB13-67-B4X	1	(W/A. LOCK BRAKE)			
67-CC1		CLIP, HARNESS			
LA01-67-C11	1	(AT)			
67-560B		UNIT, CENTRAL PROCESSING			
NA56-67-560	1	(AT)			
67-6DY		BRACKET, RELAY-INTERLOCK			
NA56-67-6DYA	1	(AT)			
67-6D1		RESISTOR, INTERLOCK			
M020-67-6D1	1	(AT)			
67-650		BOX, CONTROL-A. B. S.			
N036-67-650	1	(W/A. LOCK BRAKE)			
67-7C0		RELAY, RETRACTOR-COWL PANEL			
B481-67-7C0B	1				
67-720C		TIMER & BUZZER			
NA02-67-720A	1				
67-7403		RELAY, N.O.			
H300-67-740	1	30A (HEAD LAMP RELAY)			
LA10-67-740	2	10A (HORN RELAY) (SMALL LAMP RELAY)			
LA40-67-740	1	OPT, (REAR DEFOGGER RELAY) (W. DETACHABLE HARD TOP)			
67-9A1A		BRACKET, RELAY			



PART NO.	QTY	MODEL/RESTRICTION	MODEL/RESTRICTION	MODEL/RESTRICTION	FROM-TO
CONT'D					
NA01-67-9A1	1	(ILLUST. NO.1)			
NA17-67-9A1	1	(ILLUST. NO.2) (MT)			
NAB1-67-9A1	1	(ILLUST. NO.3) (AT)			
		COVER, RELAY			
NA02-67-9A2	1				