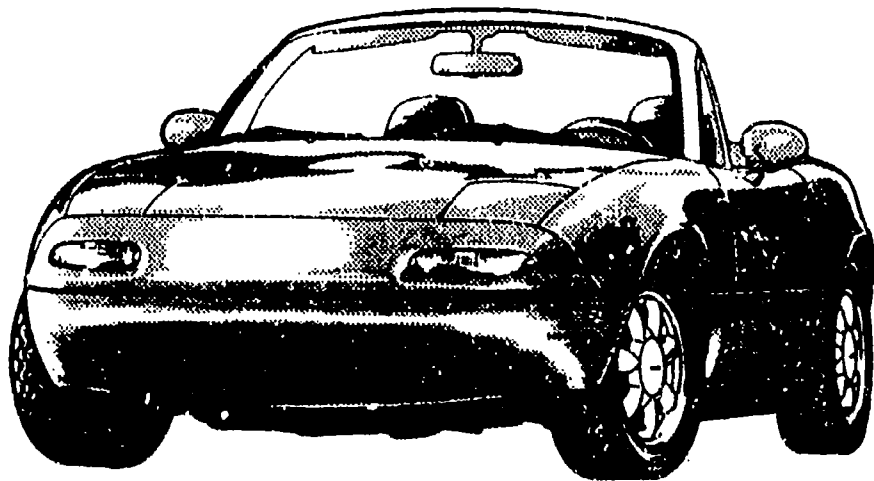


Parts Catalog

Mazda MX-5 MIATA
U.S.A.
('95 ▶ '96)



NA35 • 800001-700000
NA3 • 700001-800000

Jul. '97 (FINAL)

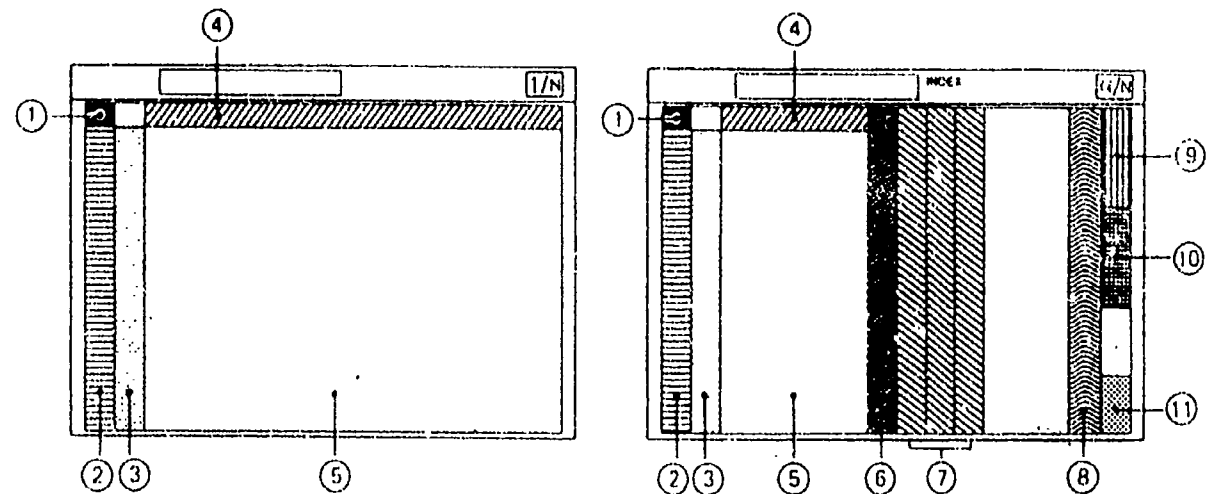
Catalog No. AU-NA05-04

Mazda

© 1997 Mazda Motor Corporation

LAYOUT OF CONTENTS / DISPOSITION TYPOGRAPHIQUE DE CONTENU / DISPOSICION DEL CONTENIDO / ANORDNUNG DES INHALTS

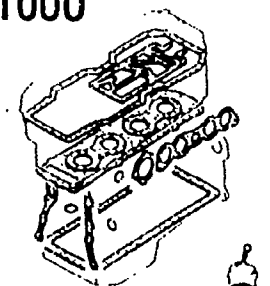
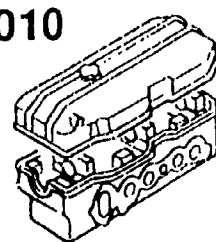
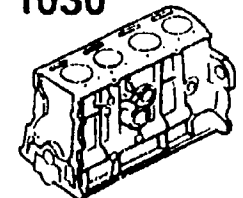
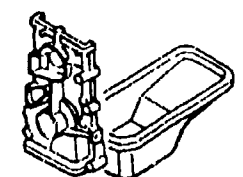
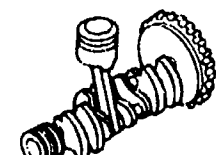
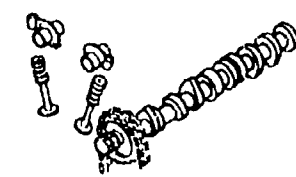
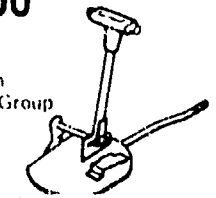
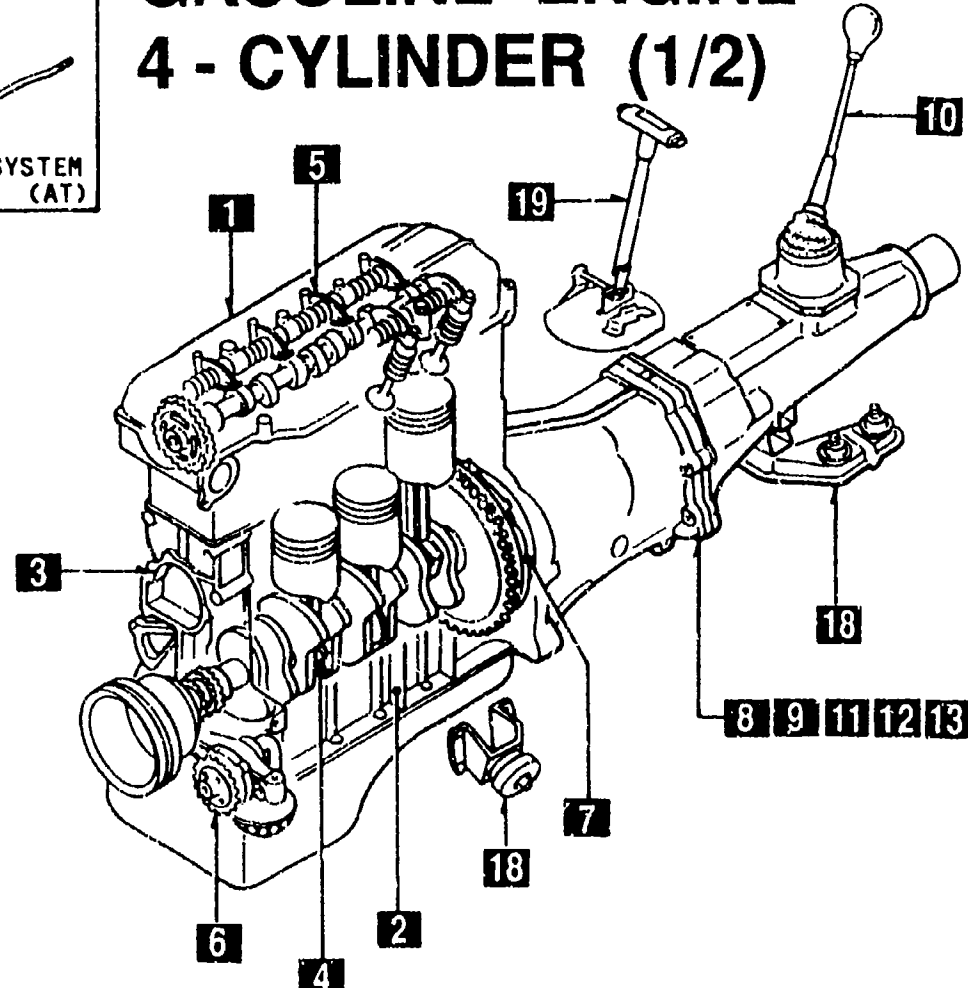
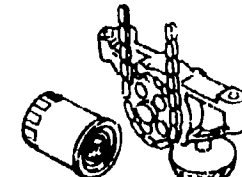
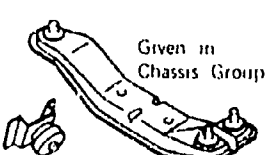
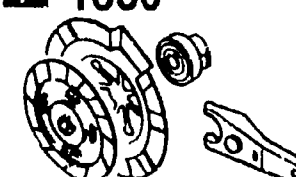
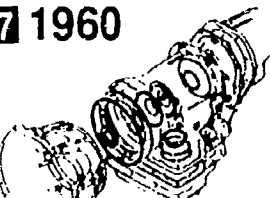
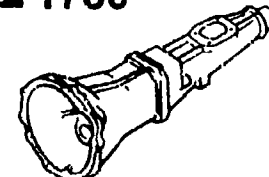
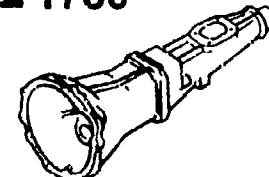
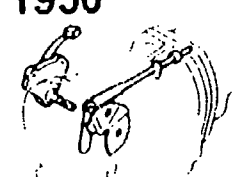
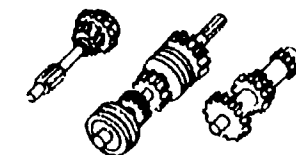
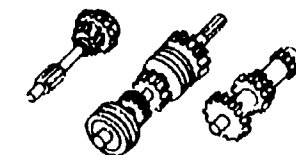
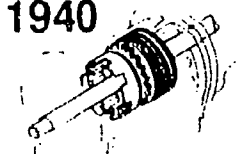
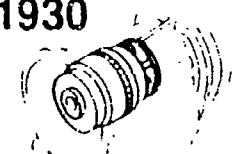

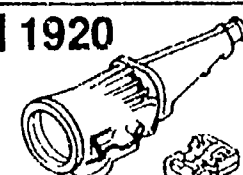
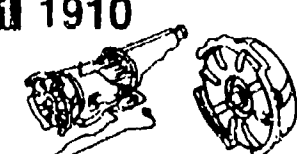
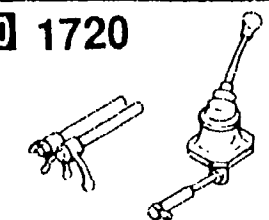
- The following is a typical example of the layout of contents on Mazda microfiche parts catalog.
- Voici un exemple typique de la disposition typographique de contenu dans les microfiches de catalogue des pièces de Mazda.
- El siguiente es un ejemplo típico de la disposición del contenido en una microficha del catálogo de repuestos de Mazda.
- Folgendes ist ein typisches Beispiel der Inhaltsanordnung des Mazda-Mikrofiche-Teilekatalogs.



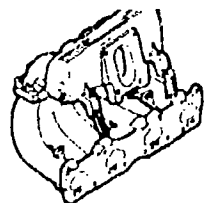
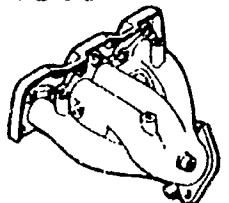
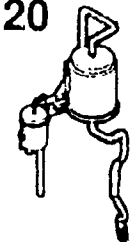
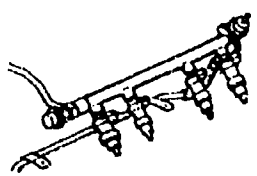
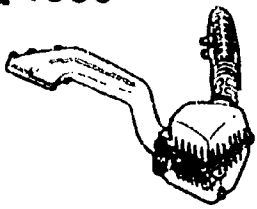
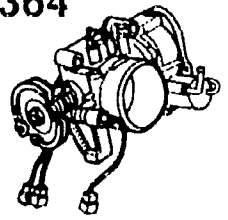
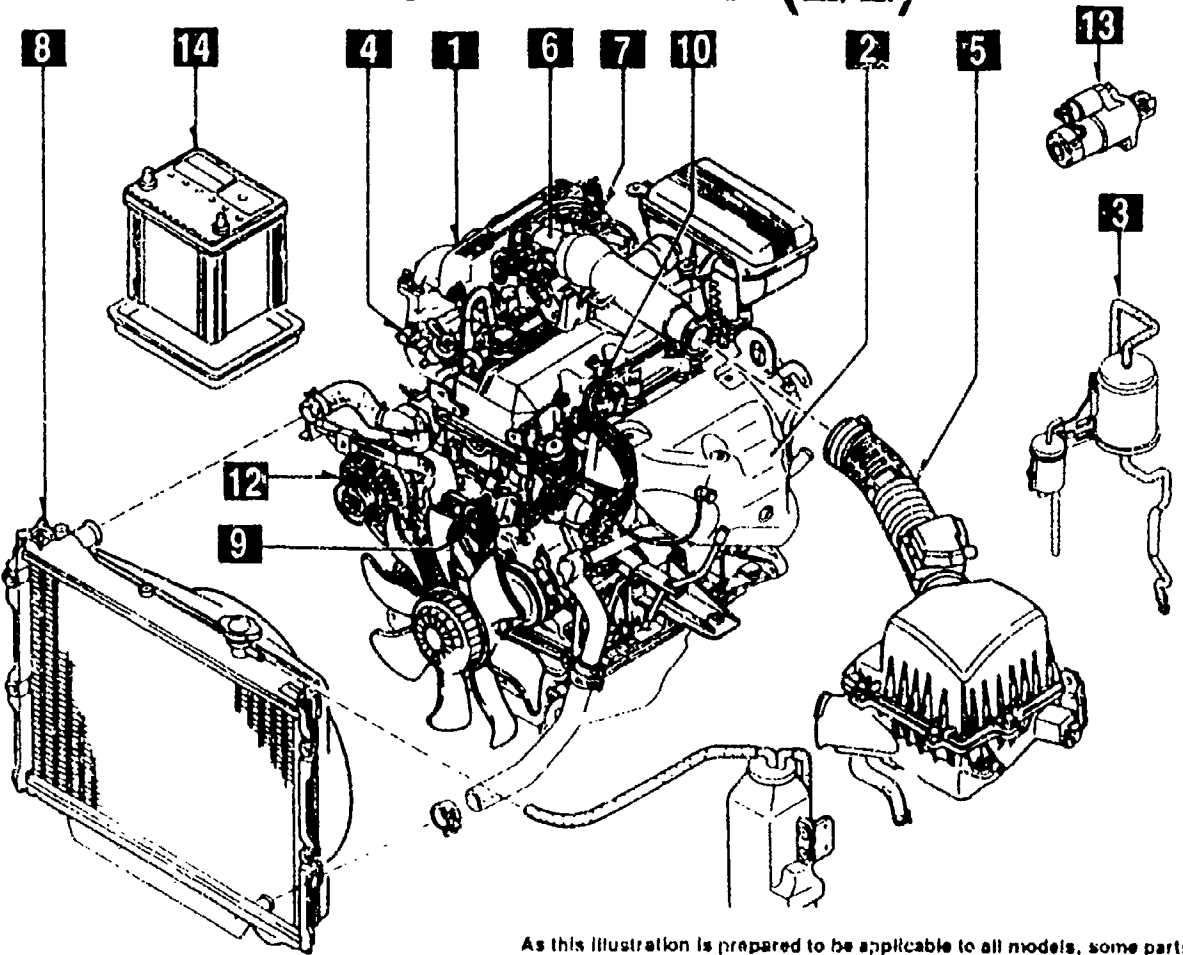
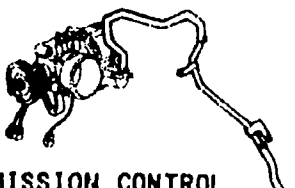
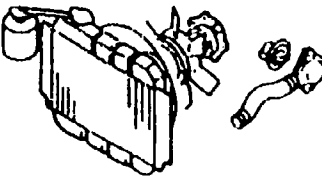
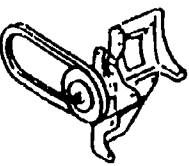
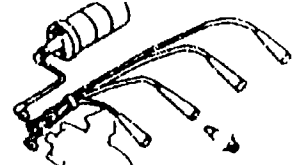
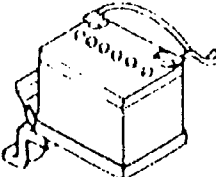
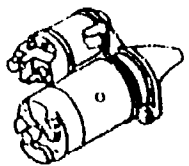
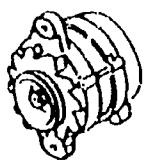
Remark : The items listed under ④ have been deleted from each fiche since Dec. '93

- | | | |
|--|---|--|
| ① • Layout of contents
• Disposition Typographique de Contenu
• Disposición del contenido
• Anordnung des Inhalts | ② • Pictorial Index
• Index par Schémas
• Índice Gráfico
• Illustrierter Index | ③ • Master Section No. Index
• Index des Numéros des Sections Totale
• Índice del Número de la Sección Maestra
• Hauptabschnittsnummer-Index |
| ④ • Section No. Index for the Column
• Index des Numéros des Sections pour les Colonnes
• N° de la Sección para el Índice
• Abschnittsnummer-Index für die Spalte | ⑤ • Illustration & Text
• Illustrations et Textes
• Ilustración y Texto
• Abbildung und Text | ⑥ • Part No. Index
• Index des Numéros des Pièces
• Índice del N° de Pieza
• Teile-Nr.-Index |
| ⑦ • Alphabetical Index
• Index Alphabétique
• Índice Alfabético
• Alphabetischer Index | ⑧ • Model Identification
• Identification des Modèles
• Identificación del Modelo
• Modell-Kennzeichnung | ⑨ • Vehicle Identification System
• Système d'Identification de Véhicule
• Sistema de Identificación de Vehículo
• Fahrzeug-Identifikationssystem |

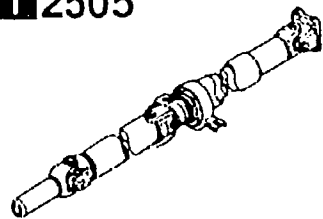
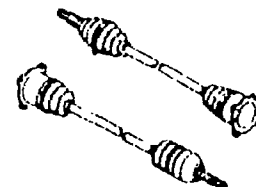
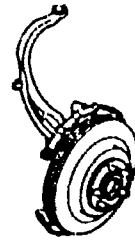

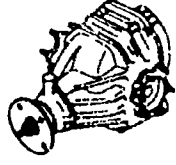

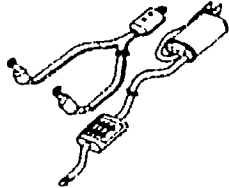
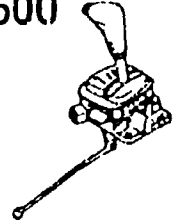
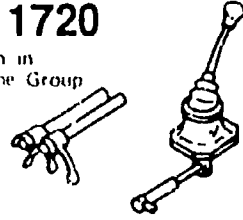
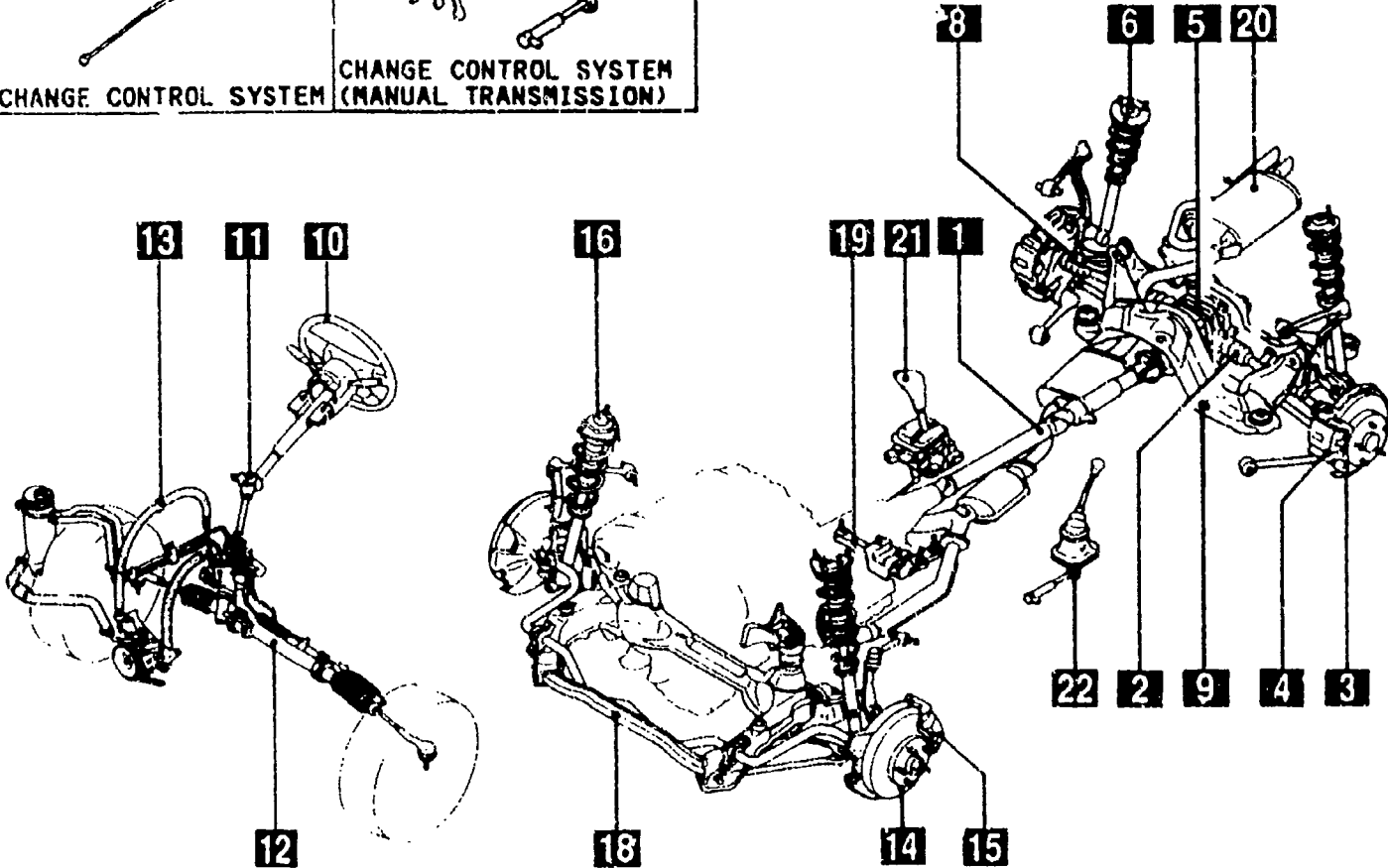
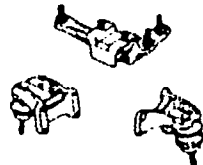
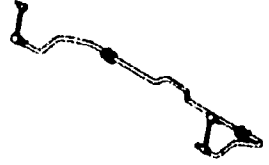
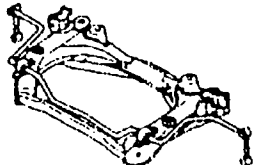
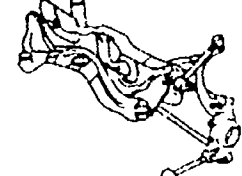

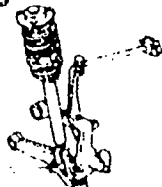


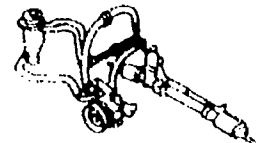


PICTORIAL INDEX

<p>1000</p>  <p>ENGINE & GASKET SETS</p>	<p>1 1010</p>  <p>CYLINDER HEAD & COVER</p>	<p>2 1030</p>  <p>CYLINDER BLOCK</p>	<p>3 1040</p>  <p>OIL PAN & TIMING COVER</p>	<p>4 1100</p>  <p>PISTON, CRANKSHAFT & FLYWHEEL</p>	<p>5 1200</p>  <p>VALVE SYSTEM</p>
<p>19 4600</p> <p>Given in Chassis Group</p>  <p>CHANGE CONTROL SYSTEM (AT)</p>	<p>GASOLINE ENGINE 4 - CYLINDER (1/2)</p> 				<p>6 1400</p>  <p>OIL PUMP & FILTER</p>
<p>18 3900</p> <p>Given in Chassis Group</p>  <p>ENGINE & TRANSMISSION MOUNTINGS</p>	<p>As this illustration is prepared to be applicable to all models, some parts are different in specifications from parts listed in this parts Catalog.</p>				<p>7 1600</p>  <p>CLUTCH DISC & COVER (MANUAL)</p>
<p>17 1960</p>  <p>GASKET & SEAL KIT (AUTOMATIC)</p>	 <p>TRANSMISSION CASE (MANUAL)</p>				<p>8 1700</p>  <p>TRANSMISSION CASE (MANUAL)</p>
<p>16 1950</p>  <p>MANUAL LINKAGE SYSTEM (AUTOMATIC)</p>	 <p>TRANSMISSION GEARS (MANUAL)</p>				<p>9 1710</p>  <p>TRANSMISSION GEARS (MANUAL)</p>
<p>15 1940</p>  <p>GOVERNOR, LOW & REVERSE PISTON (AUTOMATIC)</p>	<p>14 1930</p>  <p>CLUTCHES & PLANETARY GEARS (AUTOMATIC)</p>	<p>13 1925</p>  <p>CONTROL VALVE (AUTOMATIC)</p>	<p>12 1920</p>  <p>TRANSMISSION CASE & MAIN CONTROL SYSTEM (AUTOMATIC)</p>	<p>11 1910</p>  <p>TORQUE CONVERTER, OIL PUMP & PIPINGS (AUTOMATIC)</p>	<p>10 1720</p>  <p>CHANGE CONTROL SYSTEM (MANUAL)</p>

PICTORIAL INDEX

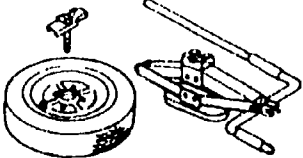

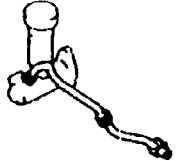

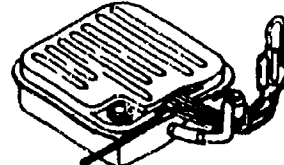
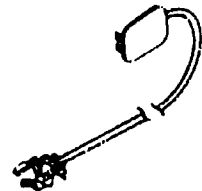
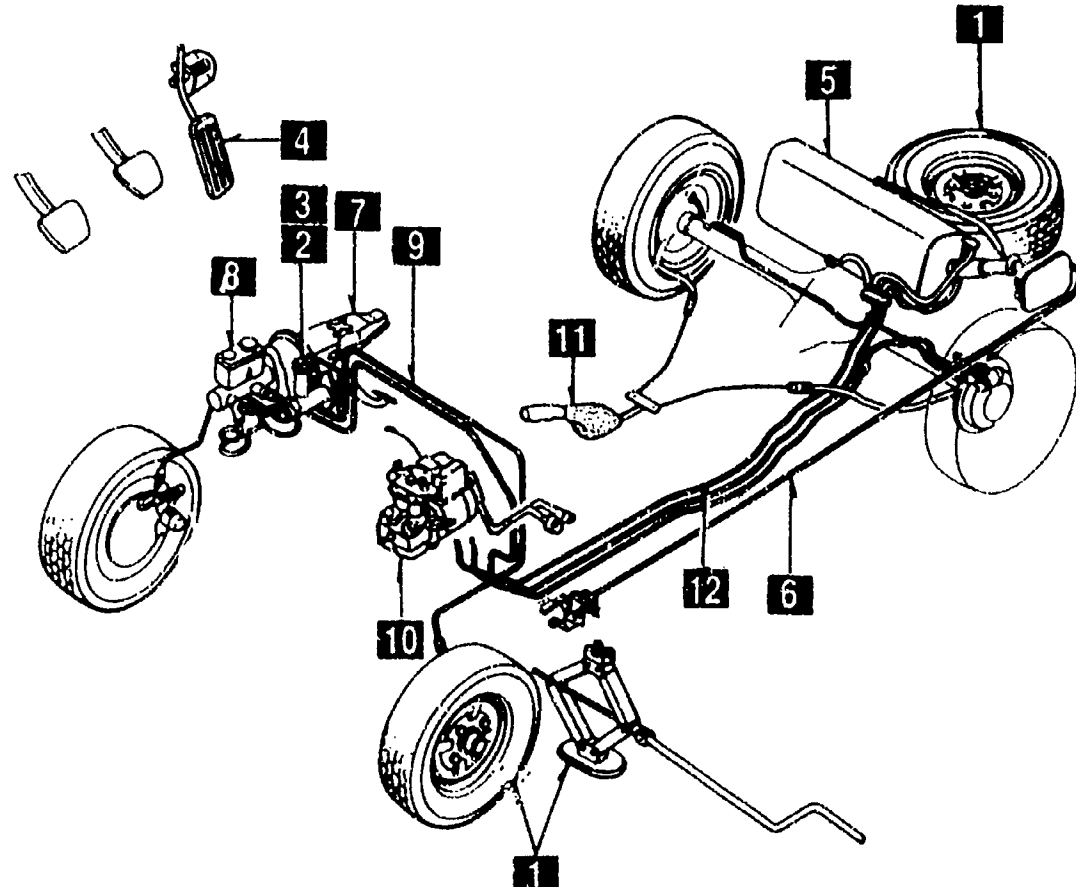
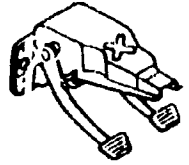
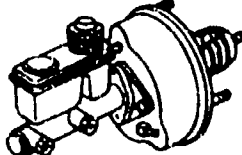
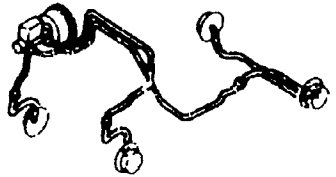
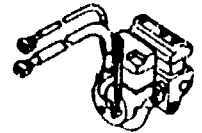
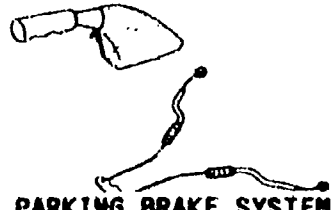
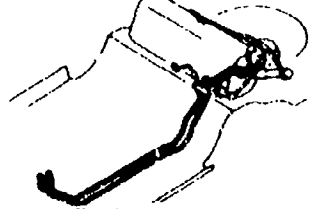
1 1300  INLET MANIFOLD	2 1310  EXHAUST MANIFOLD	3 1320  FUEL SYSTEM	4 1325  FUEL DISTRIBUTOR	5 1330  AIR CLEANER	6 1364  THROTTLE BODY
<h2 style="margin: 0;">GASOLINE ENGINE 4 - CYLINDER (2/2)</h2>  <p style="font-size: small; text-align: center;">As this illustration is prepared to be applicable to all models, some parts are different in specifications from parts listed in this parts Catalog.</p>					
					7 1370  EMISSION CONTROL SYSTEM (INLET SIDE)
					8 1500  COOLING SYSTEM
					9 1580  BRACKET, PULLEY & BELT
					10 1800  ENGINE ELECTRICAL SYSTEM
		14 1850  BATTERY	13 1840  STARTER	12 1830  ALTERNATOR	11

PICTORIAL INDEX



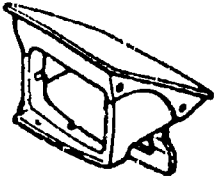
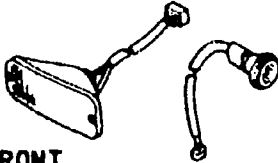
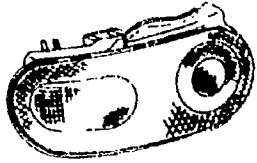
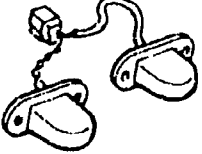
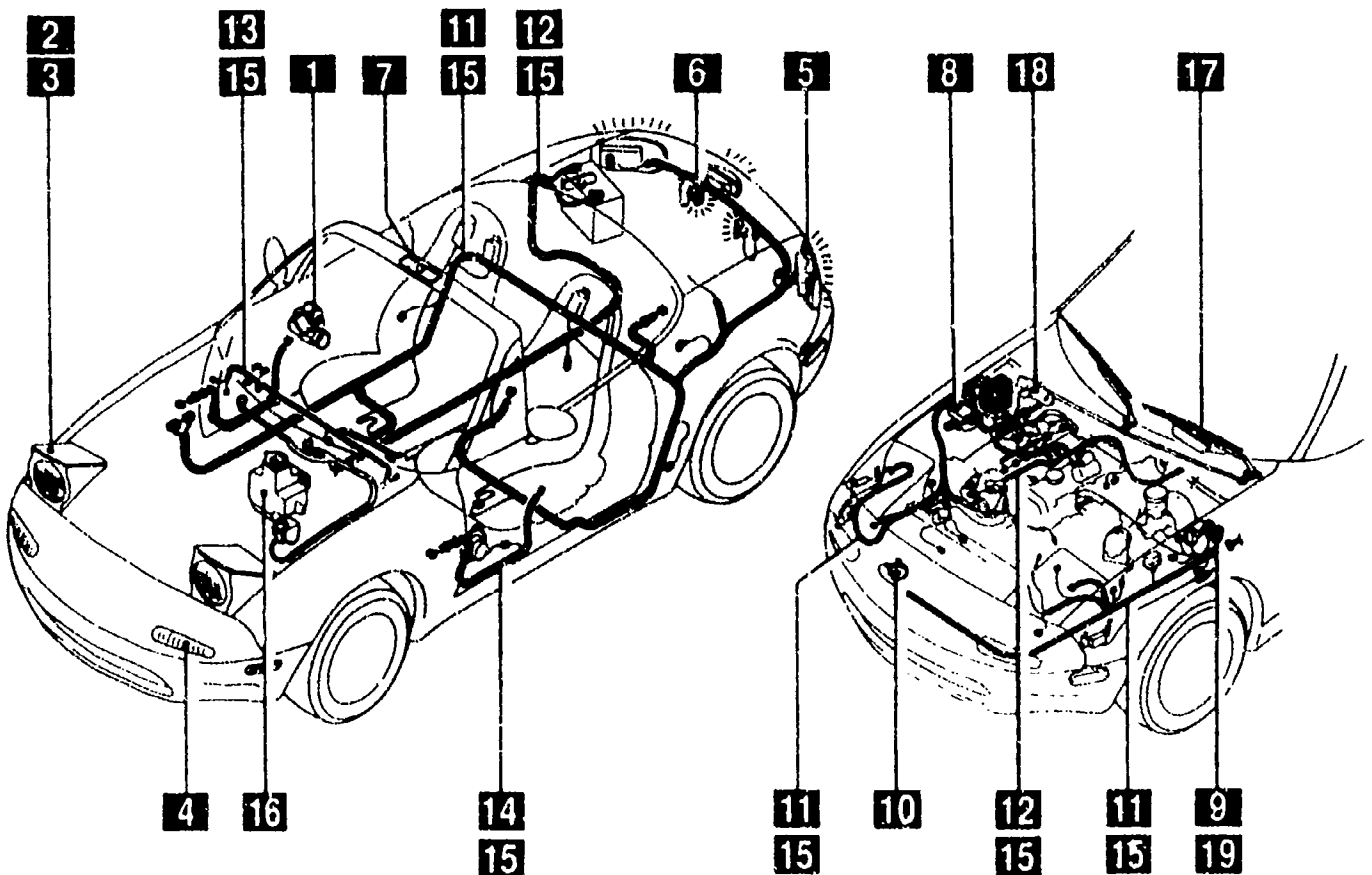
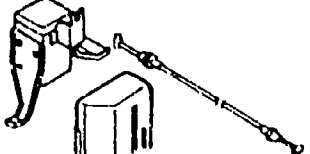



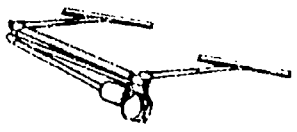
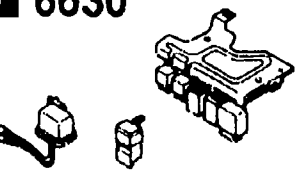
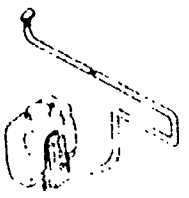



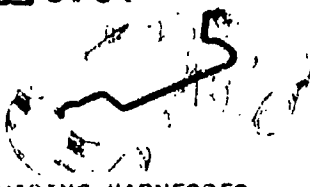
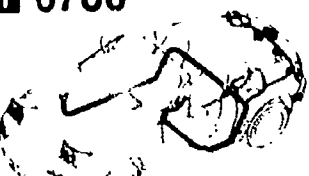
<p>1 2505</p>  <p>REAR PROPELLER SHAFT</p>	<p>2 2550</p>  <p>REAR DRIVE SHAFT</p>	<p>3 2600</p>  <p>REAR AXLE</p>	<p>4 2610</p>  <p>REAR BRAKE MECHANISMS</p>	<p>5 2710</p>  <p>REAR DIFFERENTIALS</p>	<p>6 2800</p>  <p>REAR SUSPENSION MECHANISMS</p>
<p>20 4000</p>  <p>EXHAUST SYSTEM</p>	<p>21 4600</p>  <p>CHANGE CONTROL SYSTEM</p>	<p>22 1720 <small>Given in Engine Group</small></p>  <p>CHANGE CONTROL SYSTEM (MANUAL TRANSMISSION)</p>	<h2 style="margin: 0;">CHASSIS (1/2)</h2> 		<p>7</p>
<p>19 3900</p>  <p>ENGINE & T/MISSION MOUNTINGS</p>			<p>8 2810</p>  <p>REAR STABILIZER</p>		
<p>18 3410</p>  <p>CROSSMEMBER & STABILIZER</p>			<p>9 2830</p>  <p>REAR LOWER ARMS & SUB FRAME</p>		
<p>17</p>			<p>10 3200</p>  <p>STEERING WHEEL</p>		
<p>16 3400</p>  <p>FRONT SUSPENSION MECHANISMS</p>	<p>13 3310</p>  <p>FRONT BRAKE MECHANISMS</p>	<p>14 3300</p>  <p>FRONT AXLE</p>	<p>13 3240</p>  <p>POWER STEERING SYSTEM (FRONT)</p>	<p>12 3220</p>  <p>STEERING GEAR</p>	<p>11 3210</p>  <p>STEERING COLUMN & SHAFTS</p>

As this illustration is prepared to be applicable to all models, some parts are different in specifications from parts listed in this parts Catalog.

PICTORIAL INDEX

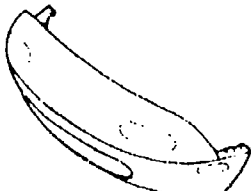
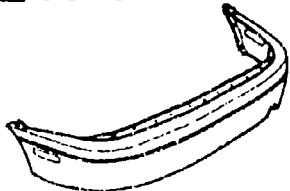
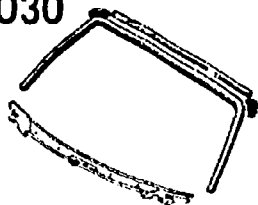

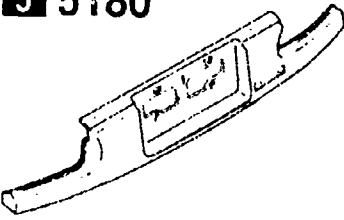
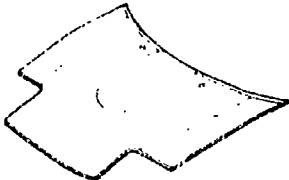
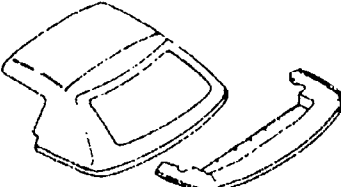
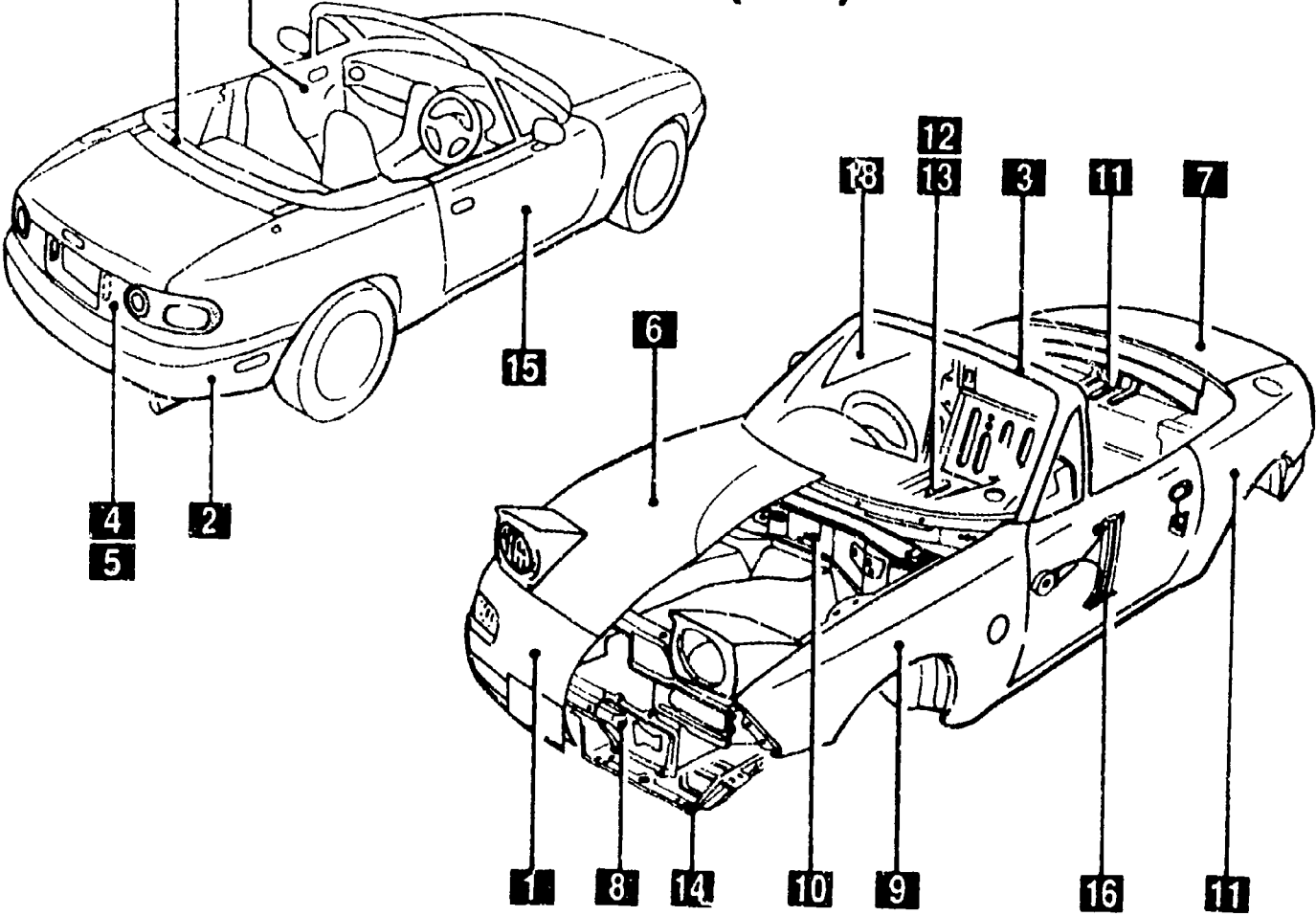
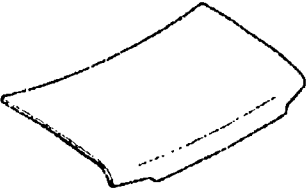
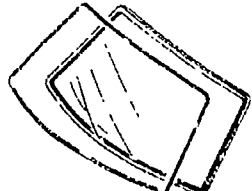
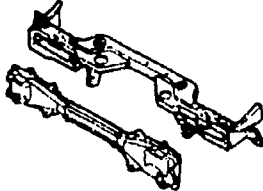
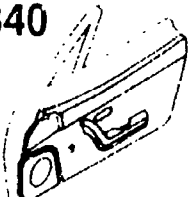
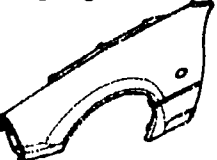

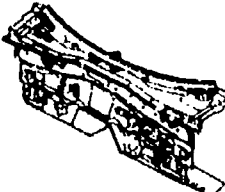
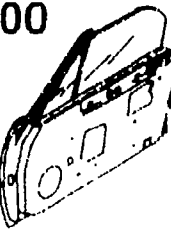
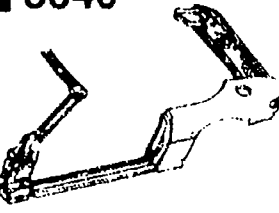
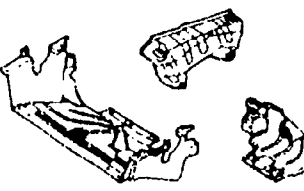
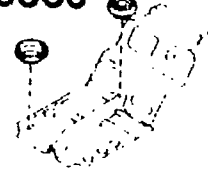
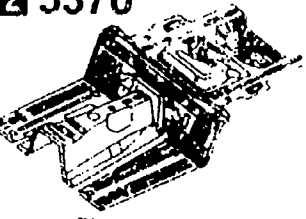
1 3700  TIRES & JACK	2 4140  CLUTCH RELEASE & MASTER CYLINDERS	3 4145  CLUTCH PIPINGS	4 4160  ACCELERATOR CONTROL SYSTEM	5 4200  FUEL TANK	6 4210  FUEL LID OPENER
<h3 style="margin: 0;">CHASSIS (2/2)</h3> 					
<small>As this illustration is prepared to be applicable to all models, some parts are different in specifications from parts listed in this parts Catalog.</small>					
7 4300  CLUTCH & BRAKE PEDALS					
8 4340  BRAKE MASTER CYLINDER & POWER BRAKE					
9 4360  BRAKE PIPINGS					
10 4370  ANTILOCK BRAKE SYSTEM					
11 4400  PARKING BRAKE SYSTEM					
12 4500  FUEL PIPINGS					

PICTORIAL INDEX

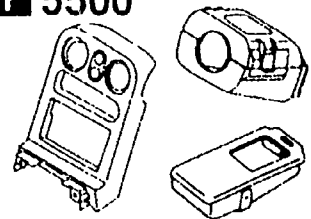
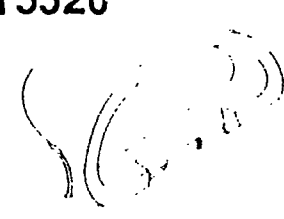
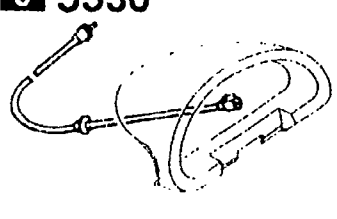
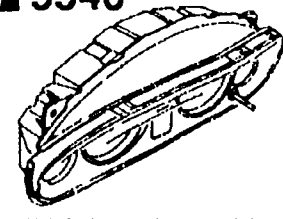
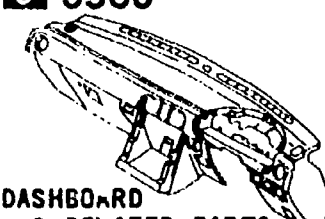
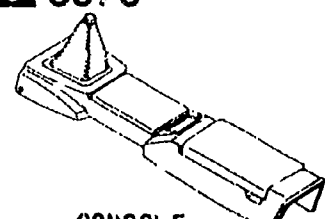
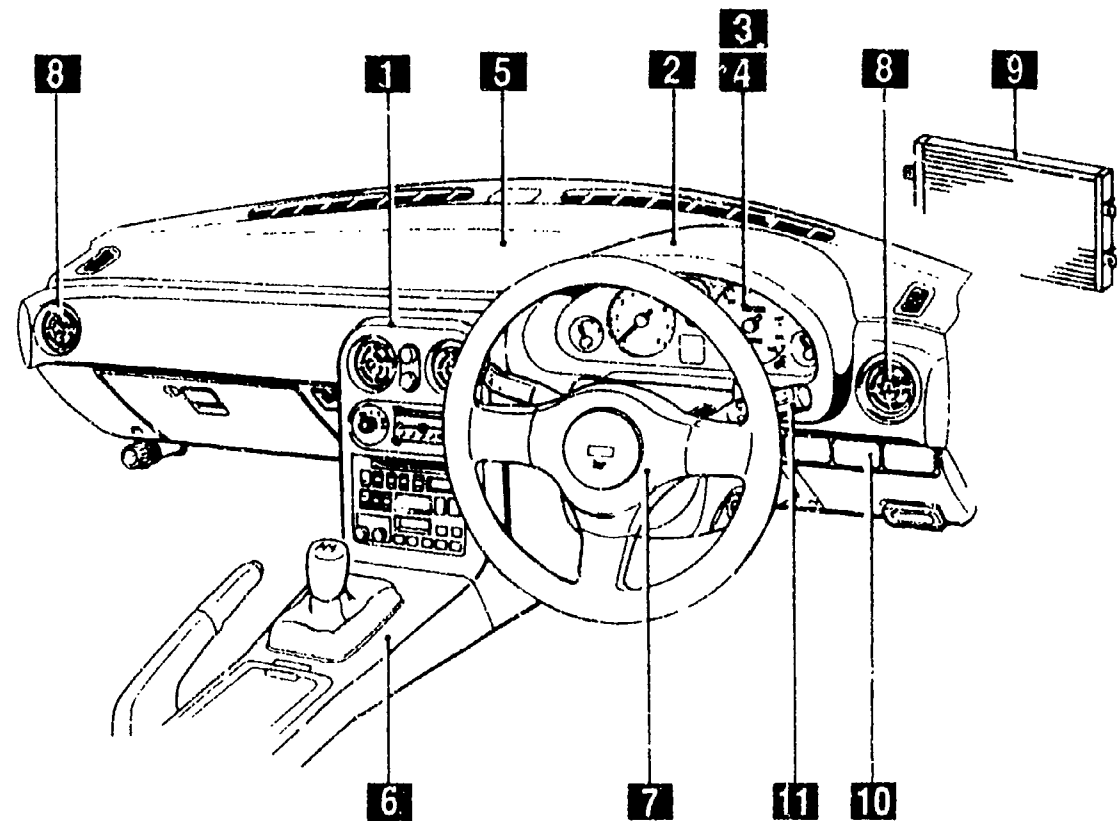
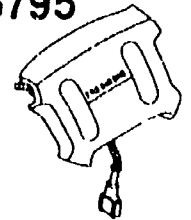
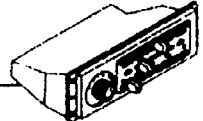
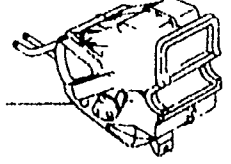

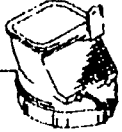
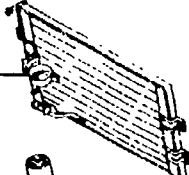


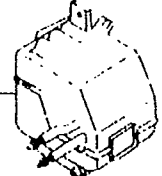
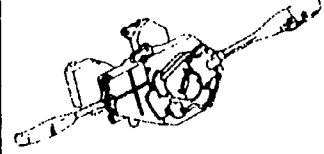
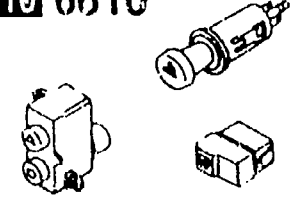
<p>1 0900</p>  <p style="text-align: center;">KEY SETS</p>	<p>2 5100</p>  <p style="text-align: center;">HEAD LAMPS</p>	<p>3 5103</p>  <p style="text-align: center;">HEAD LAMP RETRACTORS</p>	<p>4 5105</p>  <p style="text-align: center;">FRONT COMBINATION LAMPS</p>	<p>5 5110</p>  <p style="text-align: center;">REAR COMBINATION LAMPS</p>	<p>6 5120</p>  <p style="text-align: center;">LICENSE LAMPS</p>
<h2 style="margin: 0;">BODY (1/4)</h2> 					
<p>19 6640</p>  <p style="text-align: center;">AUTO CRUISE CONTROL SYSTEM</p>					<p>7 5125</p>  <p style="text-align: center;">INTERIOR LAMPS</p>
<p>18 6740</p>  <p style="text-align: center;">WIPER MOTOR COMPONENTS (FRONT)</p>					<p>8 6600</p>  <p style="text-align: center;">SWITCHES & RELAYS (ENGINE)</p>
<p>17 6730</p>  <p style="text-align: center;">WINDSHIELD WIPERS</p>					<p>9 6630</p>  <p style="text-align: center;">RELAYS & UNIT (BODY)</p>
<p>16 6720</p>  <p style="text-align: center;">WINDSHIELD WASHER</p>	<p>15 6704</p>  <p style="text-align: center;">WIRING HARNESS CLAMPS</p>	<p>14 6703</p>  <p style="text-align: center;">WIRING HARNESSES (DOOR, FLOOR/CEILING)</p>	<p>13 6702</p>  <p style="text-align: center;">WIRING HARNESSES (DASHBOARD)</p>	<p>12 6701</p>  <p style="text-align: center;">WIRING HARNESSES (ENGINE & 1/MISSION)</p>	<p>11 6700</p>  <p style="text-align: center;">WIRING HARNESSES (FRONT & REAR)</p>

As this illustration is prepared to be applicable to all models, some parts are different in specifications from parts listed in this parts Catalog.

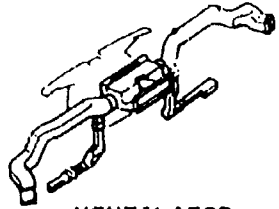

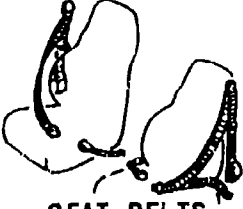
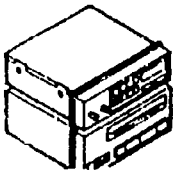
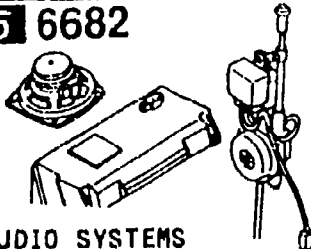
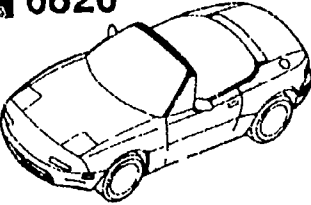
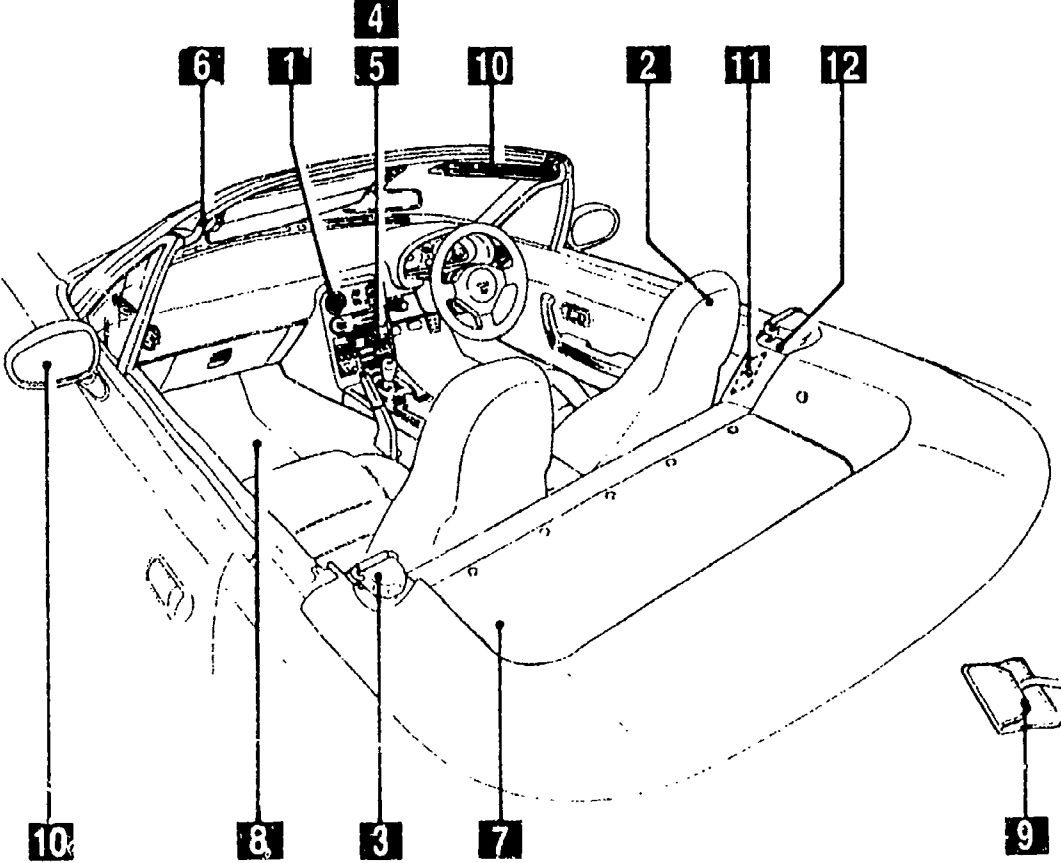
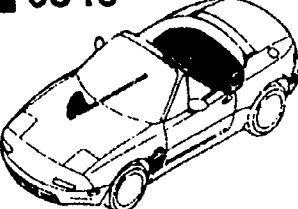
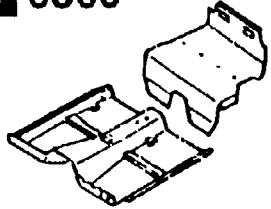

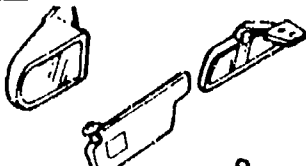
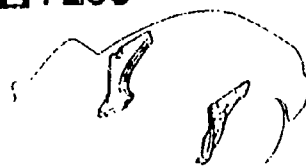

PICTORIAL INDEX

<p>1 5000</p>  <p>FRONT BUMPER</p>	<p>2 5010</p>  <p>REAR BUMPER</p>	<p>3 5030</p>  <p>WINDOW MOULDING & COWL GRILLES</p>	<p>4 5170</p>  <p>MAZDA Miata Mazda MX-5</p> <p>ORNAMENTS</p>	<p>5 5180</p>  <p>REAR FINISHER</p>	<p>6 5230</p>  <p>BONNET</p>
<p>BODY (2/4)</p>					
<p>19 6330</p>  <p>SUNROOF</p>					<p>7 5260</p>  <p>TRUNK LID</p>
<p>18 6300</p>  <p>WINDOW GLASSES</p>					<p>8 5310</p>  <p>FRONT PANELS</p>
<p>17 5840</p>  <p>FRONT DOOR TRIMS & RELATED PARTS</p>					<p>9 5320</p>  <p>FENDER & WHEEL APRON PANELS</p>
<p>16 5830</p>  <p>FRONT DOOR MECHANISMS</p>					<p>10 5330</p>  <p>DASH & COWL PANELS</p>
<p>15 5800</p>  <p>FRONT DOORS</p>					<p>11 5340</p>  <p>SIDE PANELS</p>
<p>14 5390</p>  <p>FLOOR ATTACHMENTS</p>	<p>13 5380</p>  <p>FLOOR ATTACHMENTS (HOLE COVERS)</p>	<p>12 5370</p>  <p>FLOOR PANELS</p>			

PICTORIAL INDEX

<p>1 5500</p>  <p>DASHBOARD EQUIPMENTS</p>	<p>2 5520</p>  <p>METER HOOD</p>	<p>3 5530</p>  <p>SPEEDOMETER CABLE</p>	<p>4 5540</p>  <p>METER COMPONENTS</p>	<p>5 5560</p>  <p>DASHBOARD & RELATED PARTS</p>	<p>6 5570</p>  <p>CONSOLE</p>
<h2 style="margin: 0;">BODY (3/4)</h2> 					
<p>7 5795</p>  <p>AIR BAG</p>					
<p>8</p>  <p>6115</p>  <p>6110</p>  <p>6100</p>  <p>6120</p> <p>HEATER</p>					
<p>9</p>  <p>6130</p>  <p>6135</p>  <p>6140</p>  <p>6150</p> <p>AIR CONDITIONER</p>					
<p>11 6611</p>  <p>COMBINATION SWITCH</p>			<p>10 6610</p>  <p>DASHBOARD SWITCHES</p>		

PICTORIAL INDEX

<p>1 5580</p>  <p>VENTILATOR</p>	<p>2 5700</p>  <p>SEATS</p>	<p>3 5790</p>  <p>SEAT BELTS</p>	<p>4 6680</p>  <p>AUDIO SYSTEMS (RADIO & TAPE DECK)</p>	<p>5 6682</p>  <p>AUDIO SYSTEMS (ANTENNA & SPEAKER)</p>	<p>6 6820</p>  <p>FRONT HEADER TRIM & PILLAR TRIMS</p>	
<p>BODY (4/4)</p>  <p>At this illustration is prepared to be applicable to all models, some parts are different in specifications from parts listed in this parts Catalog.</p>						<p>7 6840</p>  <p>TRIMS & SCUFF PLATES</p>
						<p>8 6860</p>  <p>FLOOR MATS & PADS</p>
						<p>9 6870</p>  <p>SERVICE TOOLS</p>
						<p>10 6900</p>  <p>VISORS, ASSIST HANDLES & MIRRORS</p>
						<p>12 7250</p>  <p>QUARTER WINDOW & TRIMS</p>
						<p>11 6930</p>  <p>CAUTION PLATES & LABELS</p>

SECTION NAME INDEX (ENGINE)

LO.NO	SEC.NO	SECTION NAME	LO.NO	SEC.NO	SECTION NAME	LO.NO	SEC.NO	SECTION NAME
1-C03	1000	ENGINE & GASKET SETS	1-K09	1950	AUTOMATIC TRANSMISSION MANUAL LINKAGE SYSTEM			
1-E03	1010	CYLINDER HEAD & COVER	1-M09	1960	AUTOMATIC TRANSMISSION GASKET & SEAL KIT			
1-H03	1030	CYLINDER BLOCK						
1-J03	1040	OIL PAN & TIMING COVER						
1-L03	1100	PISTON, CRANKSHAFT & FLYWHEEL						
1-C04	1200	VALVE SYSTEM						
1-E04	1300	INLET MANIFOLD						
1-F04	1310	EXHAUST MANIFOLD						
1-G04	1320	FUEL SYSTEM						
1-I04	1325	FUEL DISTRIBUTOR						
1-J04	1330	AIR CLEANER						
1-L04	1364	THROTTLE BODY						
1-M04	1370	EMISSION CONTROL SYSTEM (INLET SIDE)						
1-C05	1400	OIL PUMP & FILTER						
1-E05	1500	COOLING SYSTEM						
1-H05	1580	BRACKET, PULLEY & BELT						
1-C06	1600	CLUTCH DISC & COVER						
1-D06	1700	MANUAL TRANSMISSION CASE						
1-E06	1710	MANUAL TRANSMISSION GEARS						
1-J06	1720	MANUAL TRANSMISSION CHANGE CONTROL SYSTEM						
1-M06	1800	ENGINE ELECTRICAL SYSTEM						
1-C07	1830	ALTERNATOR						
1-E07	1840	STARTER (MT)						
1-G07	1840 A	STARTER (AT)						
1-I07	1850	BATTERY						
1-J07	1910	AUTOMATIC TRANSMISSION TORQUE CONVERTER, OIL PUMP & PIPINGS						
1-M07	1920	AUTOMATIC TRANSMISSION CASE & MAIN CONTROL SYSTEM						
1-F08	1925	AUTOMATIC TRANSMISSION CONTROL VALVE						
1-M08	1930	AUTOMATIC TRANSMISSION CLUTCHES & PLANETARY GEARS						
1-H09	1940	AUTOMATIC TRANSMISSION GOVERNOR, LOW & REVERSE PISTON						

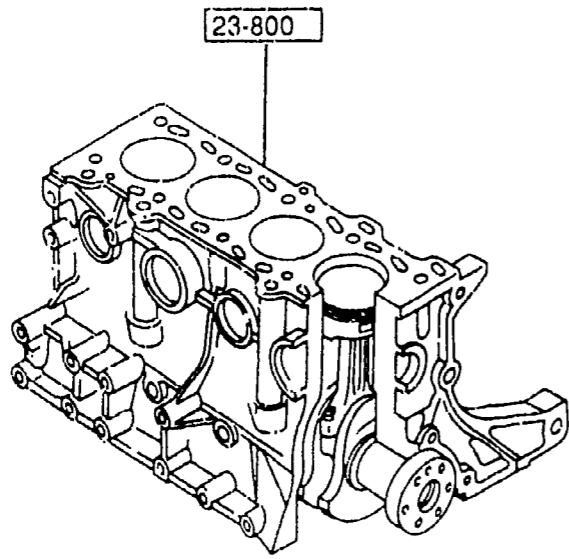
SECTION NAME INDEX (CHASSIS)

LO.NO	SEC.NO	SECTION NAME	LO.NO	SEC.NO	SECTION NAME	LO.NO	SEC.NO	SECTION NAME
1-C11	2505	REAR PROPELLER SHAFT	1-F16	4340	BRAKE MASTER CYLINDER & POWER BRAKE (W/O ANTILOCK BRAKE)			
1-D11	2550	REAR DRIVE SHAFT						
1-F11	2600	REAR AXLE	1-H16	4340 A	BRAKE MASTER CYLINDER & POWER BRAKE (W/ANTILOCK BRAKE)			
1-G11	2610	REAR BRAKE MECHANISMS						
1-J11	2710	REAR DIFFERENTIALS (NORMAL DIFF.)	1-K16	4360	BRAKE PIPINGS (W/O ANTI LOCK BRAKE SYSTEM)			
1-C12	2710 A	REAR DIFFERENTIALS (LIMITED SLIP DIFF.)	1-M16	4360 A	BRAKE PIPINGS (ANTI LOCK BRAKE SYSTEM)			
1-G12	2800	REAR SUSPENSION MECHANISMS	2-C03	4370	ANTILOCK BRAKE SYSTEM			
1-H12	2810	REAR STABILIZER	2-E03	4400	PARKING BRAKE SYSTEM			
1-I12	2830	REAR LOWER ARMS & SUB FRAME	2-G03	4500	FUEL PIPINGS			
1-K12	3200	STEERING WHEEL	2-I03	4600	CHANGE CONTROL SYSTEM (AT)			
1-L12	3210	STEERING COLUMN & SHAFTS						
1-M12	3220	STEERING GEAR (W/O POWER STEERING)						
1-C13	3220 A	STEERING GEAR (W/POWER STEERING)						
1-H13	3240	POWER STEERING SYSTEM						
1-K13	3300	FRONT AXLE (W/O ANTILOCK BRAKE)						
1-L13	3300 A	FRONT AXLE (W/ANTILOCK BRAKE)						
1-M13	3310	FRONT BRAKE MECHANISMS						
1-N13	3400	FRONT SUSPENSION MECHANISMS						
1-E14	3410	CROSSMEMBER & STABILIZER						
1-F14	3700	TIRES & JACK						
1-C15	3900	ENGINE & T/MISSION MOUNTINGS						
1-D15	4000	EXHAUST SYSTEM						
1-F15	4140	MANUAL TRANSMISSION CLUTCH RELEASE & MASTER CYLINDERS						
1-G15	4145	MANUAL TRANSMISSION CLUTCH PIPINGS						
1-H15	4160	ACCELERATOR CONTROL SYSTEM						
1-I15	4200	FUEL TANK						
1-L15	4210	FUEL LID OPENER						
1-M15	4300	MANUAL TRANSMISSION CLUTCH & BRAKE PEDALS						
1-D16	4300A	AUTOMATIC TRANSMISSION BRAKE PEDAL						

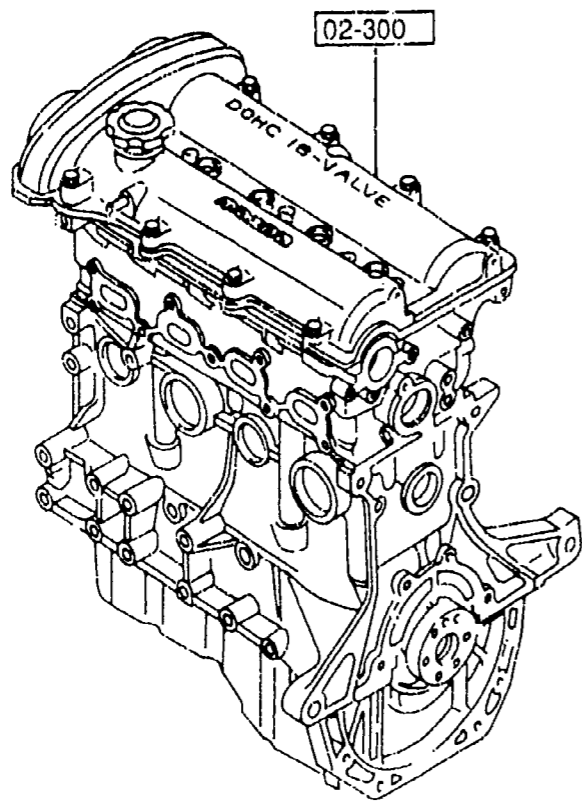
SECTION NAME INDEX (BODY)

LO.NO	SEC.NO	SECTION NAME	LO.NO	SEC.NO	SECTION NAME	LO.NO	SEC.NO	SECTION NAME
2-C05	0900	KEY SETS	2-C14	6100	HEATER	3-D06	6900	SUN VISORS, ASSIST HANDLES & MIRRORS
2-E05	5000	FRONT BUMPER	2-D14	6110	HEATER UNIT COMPONENTS	3-G06	6930	CAUTION PLATES & LABELS
2-H05	5010	REAR BUMPER	2-E14	6115	HEATER CONTROL COMPONENTS	3-I06	7250	QUARTER WINDOW & TRIMS
2-J05	5030	WINDOW MOULDING & COWL GRILLES	2-G14	6120	HEATER BLOWER COMPONENTS			
2-K05	5100	HEAD LAMPS	2-H14	6130	AIR CONDITIONER			
2-L05	5103	HEAD LAMP RETRACTORS	2-L14	6135	AIR CONDITIONING COOLING PIPE O-RING			
2-C06	5105	FRONT COMBINATION LAMPS	2-M14	6140	AIR CONDITIONING COMPRESSOR COMPONENTS			
2-E06	5110	REAR COMBINATION LAMPS	2-C15	6150	AIR CONDITIONING COOLING UNIT			
2-H06	5120	LICENSE LAMPS	2-D15	6300	WINDOW GLASSES			
2-I06	5125	INTERIOR LAMPS	2-E15	6330	SUN ROOF			
2-J06	5170	ORNAMENTS	2-E16	6600	ENGINE SWITCHES & RELAYS			
2-K06	5180	REAR FINISHER	2-J16	6610	DASHBOARD SWITCHES			
2-L06	5230	BONNET	2-L16	6611	COMBINATION SWITCH			
2-N06	5260	TRUNK LID	2-M16	6630	BODY RELAYS & UNIT			
2-D07	5310	FRONT PANELS	3-C03	6635	DOOR SWITCH & HORNS			
2-E07	5320	FENDER & WHEEL APRON PANELS	3-D03	6640	AUTO CRUISE CONTROL SYSTEM			
2-H07	5330	DASH & COWL PANELS	3-E03	6680	AUDIO SYSTEMS (RADIO & TAPE DECK)			
2-I07	5340	SIDE PANELS	3-K03	6682	AUDIO SYSTEMS (ANTENNA & SPEAKER)			
2-N07	5370	FLOOR PANELS	3-N03	6700	FRONT & REAR WIRING HARNESSSES			
2-E08	5380	FLOOR ATTACHMENTS (HOLE COVERS)	3-F04	6701	ENGINE & TRANSMISSION WIRING HARNESSSES			
2-F08	5390	FLOOR ATTACHMENTS	3-G04	6702	DASHBOARD WIRING HARNESSSES			
2-C09	5500	DASHBOARD EQUIPMENTS	3-H04	6703	DOOR, FLOOR & CEILING WIRING HARNESSSES			
2-F09	5520	METER HOOD	3-I04	6704	WIRING HARNESS CLAMPS			
2-G09	5530	SPEEDOMETER CABLE	3-L04	6720	WINDSHIELD WASHER (W/O ANTI LOCK BRAKE)			
2-H09	5540	METER COMPONENTS	3-N04	6720 A	WINDSHIELD WASHER (W/ANTI LOCK BRAKE)			
2-K09	5560	DASHBOARD & RELATED PARTS	3-E05	6730	WINDSHIELD WIPERS			
2-N09	5570	CONSOLE	3-G05	6740	WIPER MOTOR COMPONENTS			
2-E10	5580	VENTILATOR	3-H05	6820	FRONT HEADER TRIM & PILLAR TRIMS			
2-G10	5700	SEATS	3-I05	6840	TRIMS & SCUFF PLATES			
2-I12	5790	SEAT BELTS	3-L05	6860	FLOOR MATS & PADS			
2-J12	5795	AIR BAG	3-C06	6870	SERVICE TOOLS			
2-K12	5800	FRONT DOORS						
2-N12	5830	FRONT DOOR MECHANISMS						
2-F13	5840	FRONT DOOR TRIMS & RELATED PARTS						

FWD



23-800



02-300

10-271S

- 1-SEAL, VALVE..... (8)
- 2-SEAL, VALVE..... (8)
- 3-GASKET, HEAD COVER..... (1)
- 4-GASKET, CYLINDER HEAD..... (1)
- 5-GASKET, OIL PAN..... (1)
- 6-GASKET, OIL PAN..... (1)
- 7-GASKET (L)..... (1)
- 8-GASKET (INN), TIMING BELT (L)..... (1)
- 9-GASKET (C), TIMING BELT (L)..... (1)
- 10-GASKET, T. BELT, COVER-C..... (1)
- 11-RUBBER, SEAL-SEAL PLATE..... (1)
- 12-SEAL, OIL..... (1)
- 13-SEAL, OIL..... (2)
- 14-SEAL, OIL..... (1)
- 15-GASKET, IN. MANIFOLD..... (1)
- 16-GASKET, EX. MANIFOLD..... (1)
- 17-RING, 'O'..... (1)
- 18-GASKET, WATER PUMP..... (1)
- 19-GASKET, W. PUMP INLET..... (1)
- 20-GASKET, THERMOSTAT COVER..... (1)
- 21-RINGS, 'O'..... (1)

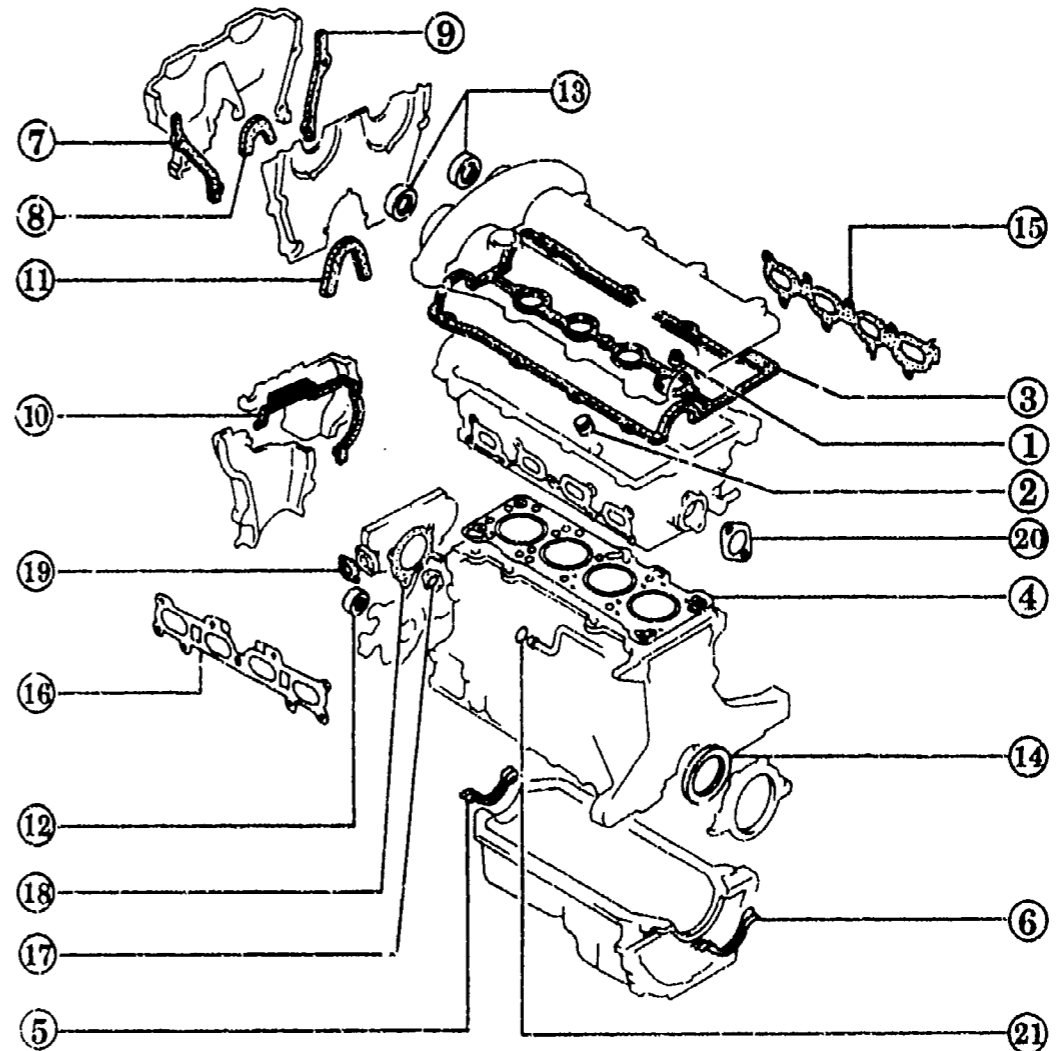
10-235S

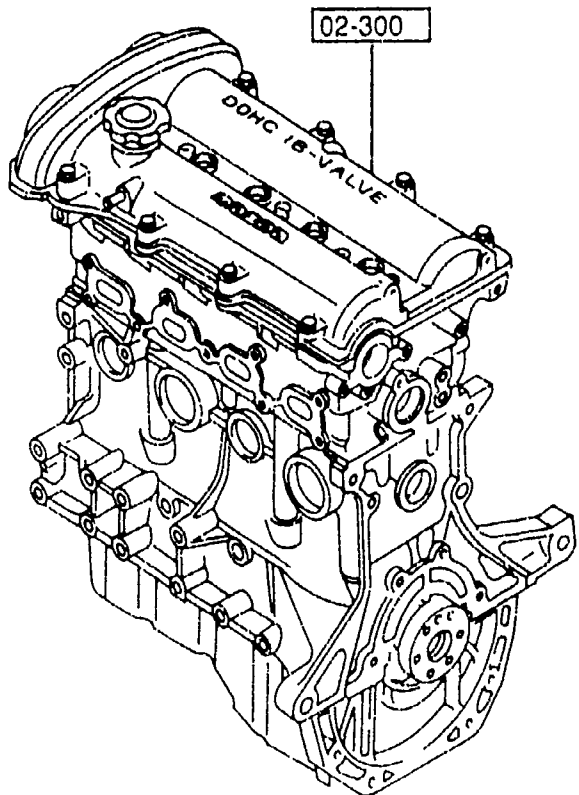
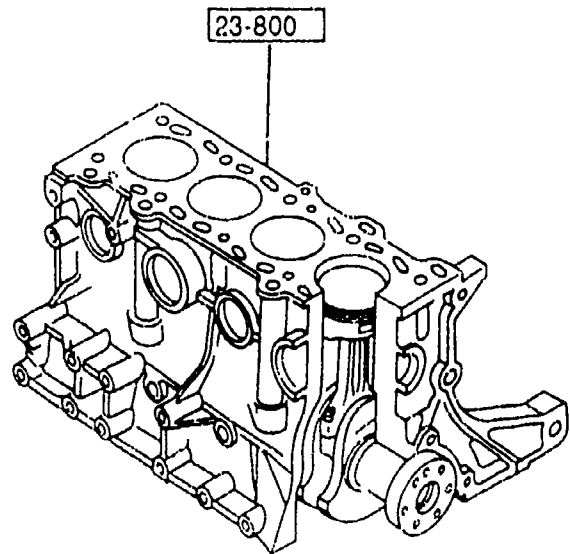
- 1-SEAL, VALVE..... (8)
- 2-SEAL, VALVE..... (8)
- 3-GASKET, HEAD COVER..... (1)
- 4-GASKET, CYLINDER HEAD..... (1)
- 12-SEAL, OIL..... (1)
- 13-SEAL, OIL..... (2)
- 15-GASKET, IN. MANIFOLD..... (1)
- 18-GASKET, EX. MANIFOLD..... (1)
- 20-GASKET, THERMOSTAT COVER..... (1)

02-310S

- 15-GASKET, IN. MANIFOLD..... (1)
- 16-GASKET, EX. MANIFOLD..... (1)
- 19-GASKET, W. PUMP INLET..... (1)
- 20-GASKET, THERMOSTAT COVER..... (1)

FWD



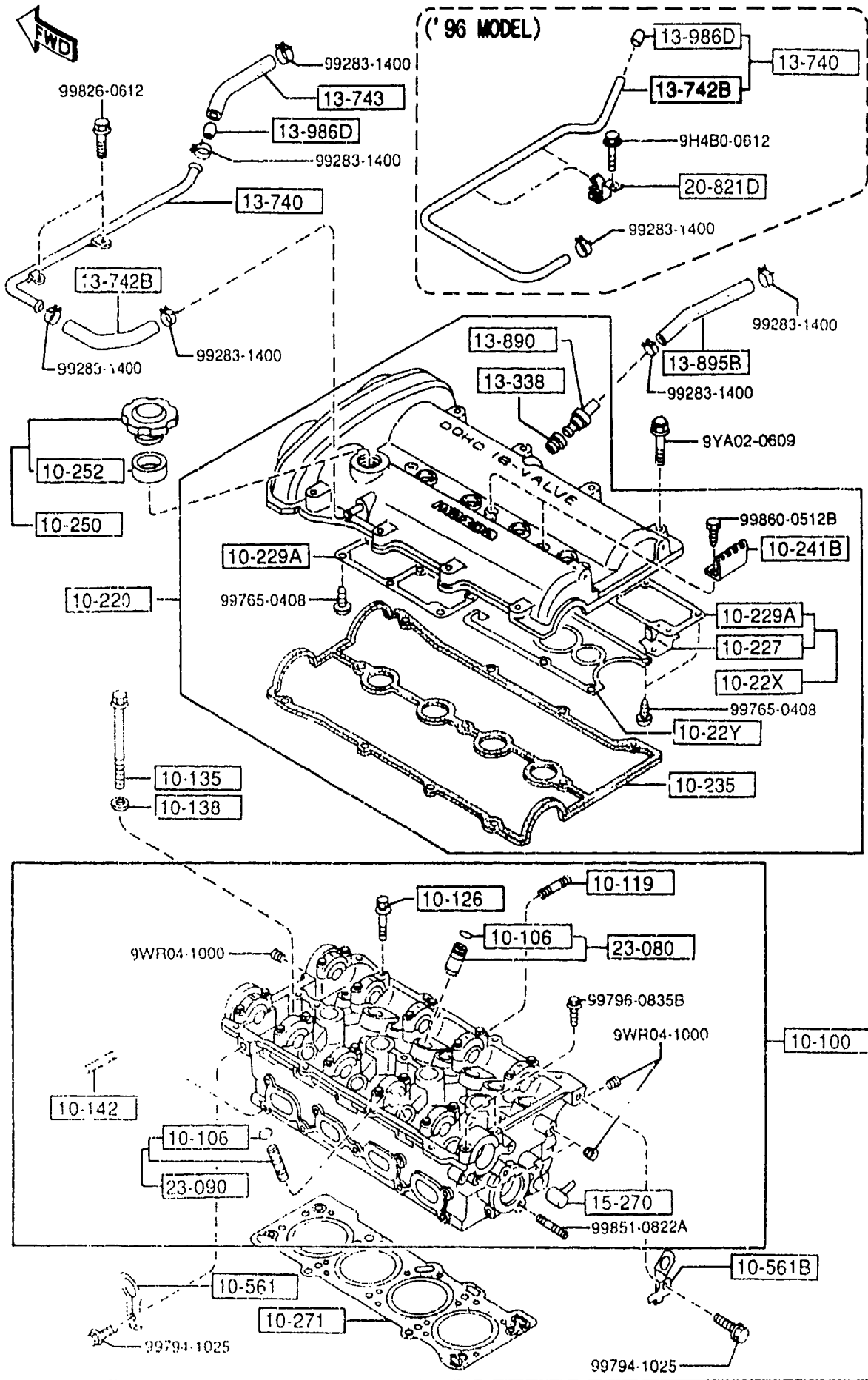


PART NO.	QTY	MODEL/RESTRICTION	MODEL/RESTRICTION	MODEL/RESTRICTION	FROM-TO
02-300		ENGINE, PARTIAL			
BPE8-02-300	1	('95 MODEL)			
BPS1-02-300	1	('96 MODEL)			
02-310S		GASKET SET, PARTIAL ENGINE			
*8ABA-02-310	1				
10-235S		GASKET SET, CYL. HEAD			
8AN2-10-235A (8AN2-10-235A)	1				..5801
*8AN2-10-235A	1				5801-
10-271S		GASKET SET, ENGINE			
8AN2-10-271	1				-4901
8AN2-10-271A (8AN2-10-271B)	1				4901-5801
8AN2-10-271B	1				5801-
23-800		ENGINE, SHORT			
BPF1-02-200A	1				

4901 NA35* -602618
 5801 NA3** -700842

1010 CYLINDER HEAD & COVER

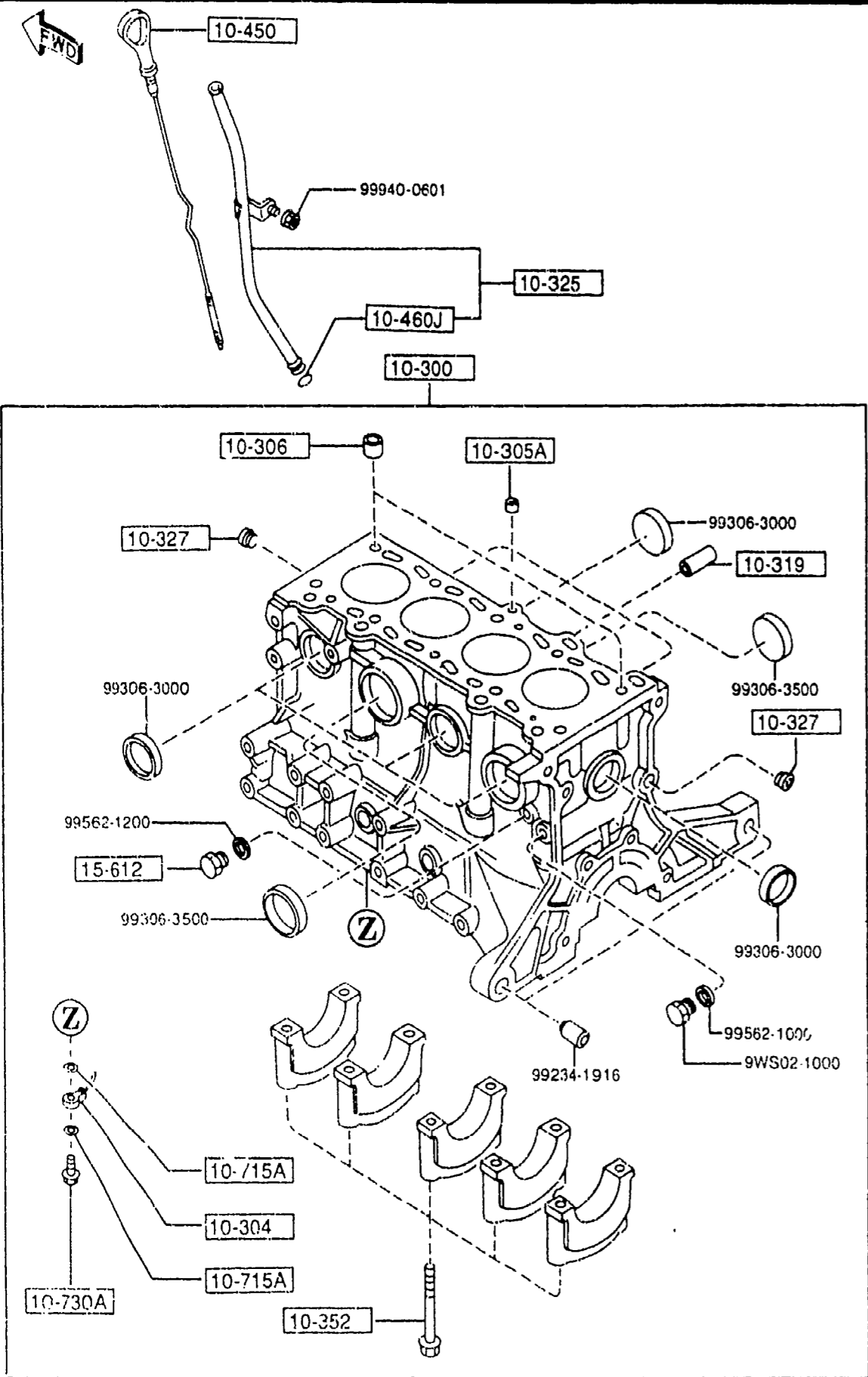
1010 -2 CYLINDER HEAD & COVER



PART NO.	QTY	MODEL/RESTRICTION	MODEL/RESTRICTION	MODEL/RESTRICTION	FROM-TO
10-235		GASKET, HEAD COVER			
BP05-10-235B A (BP05-10-235C)	1				-5801
BP05-10-235C	1				5801-
10-241B		PROTECTOR, HT. CORD-S. TANK			
B660-10-241	2				-4804
BPE8-10-241	2				4804-
10-250		CAP, OIL FILLER			
0453-10-250A	1				
10-252		GASKET			
0324-10-252	1				
10-271		GASKET, CYLINDER HEAD NON ASBESTOS			
BP26-10-271	1				
10-561		HANGER, ENGINE			
B660-10-561	1				
10-561B		HANGER, ENGINE-REAR			
BPE8-10-566A	1				
13-338		SEAL, RUBBER			
E301-13-338A	1				
13-740		HOSE, VENT.-PURGE CON T. V.			
BPE8-13-74X	1				('95 MODEL)
BPE8-13-740A	1				('96 MODEL)
13-742B		HOSE, VENTILATION			
*BPE8-13-742	1				('96 MODEL)
B61P-13-742A	1				('95 MODEL)
13-743		HOSE, VENTILATION			
BPE8-13-743	1				('95 MODEL)
13-890		VALVE, P.C.V.			
BP05-13-890	1				

4804 NA35* -606526
5801 NA3** -700842

1030 CYLINDER BLOCK

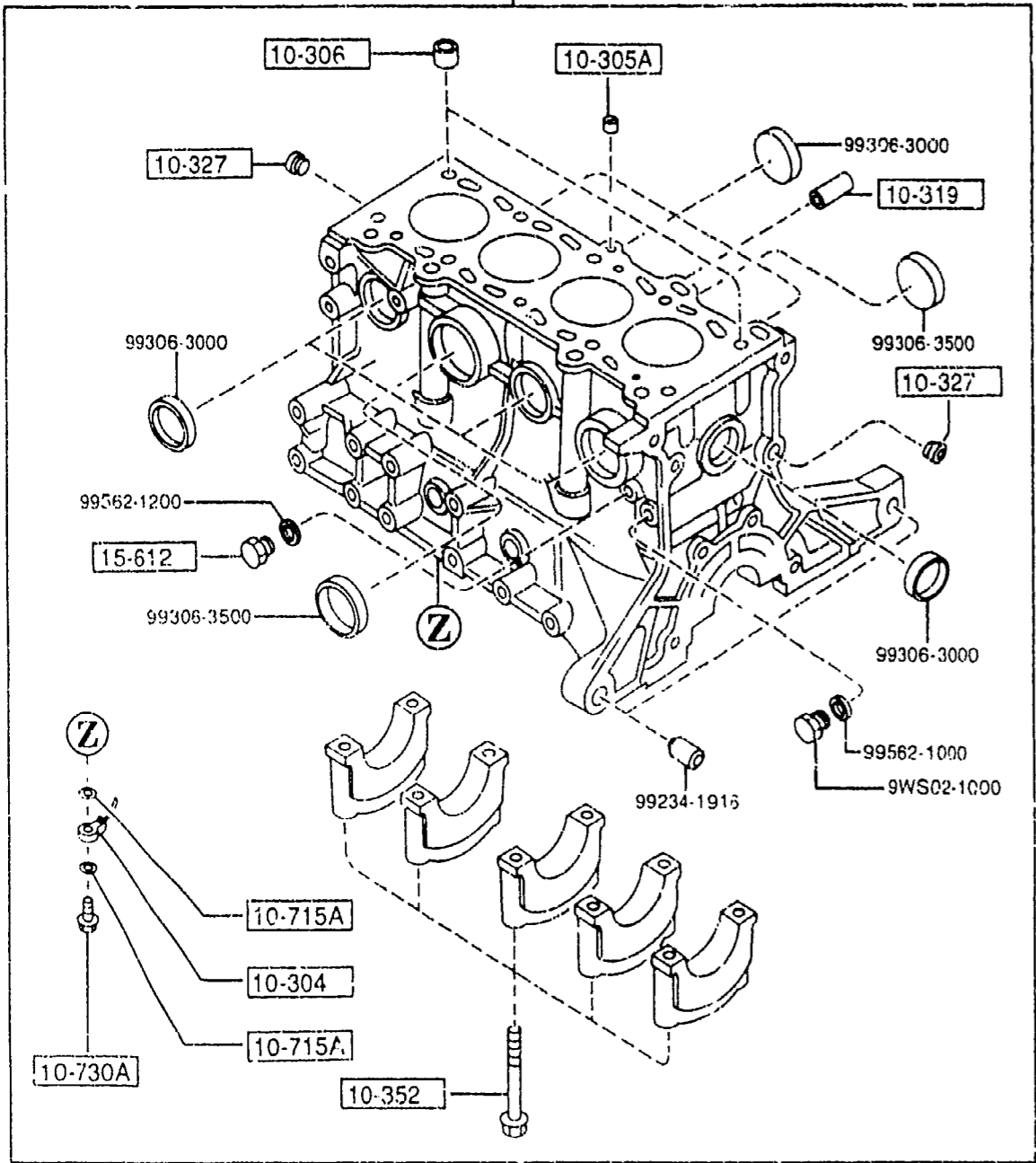
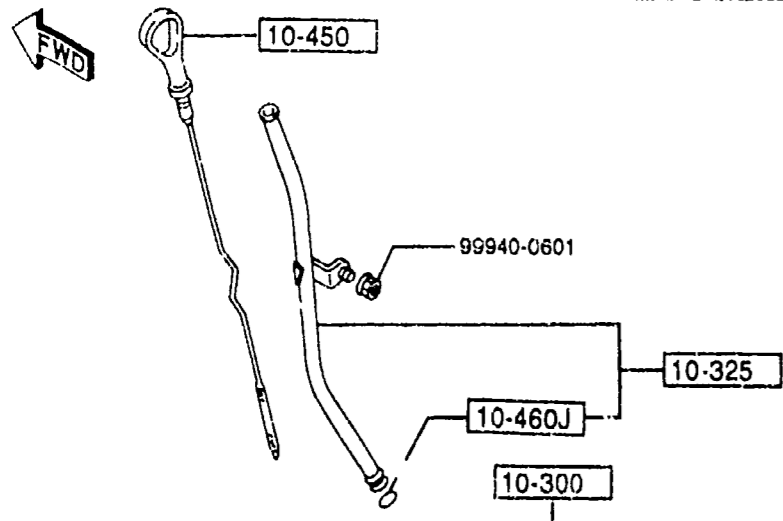


1030 -1 CYLINDER BLOCK

PART NO.	QTY	MODEL/RESTRICTION	MODEL/RESTRICTION	MODEL/RESTRICTION	FROM-TO
10-300		BLOCK, CYLINDER			
BP05-10-300M AN(BP05-10-300N)	1				-5712
BP05-10-300N	1				5712-
10-304		JET, OIL			
BP01-10-580 A (BP01-10-580A)	4				-5501
BP01-10-580A	4				5501-
10-305A		PLUG			
B366-10-305	1				
10-306		PIN, TUBULAR			
B630-10-306	2				
10-319		JOINT			
E586-10-319C	1				
10-325		PIPE, OIL LEVEL GAUGE			
BPE8-10-440	1				
10-327		PLUG, BLIND			
0221-10-327	2				
10-352		BOLT, BEARING CAP			
B630-10-352	10				
10-450		GAUGE, OIL LEVEL			
BPE8-10-450	1				
10-460J		RING, 'O'			
99541-00907	1				
10-715A		GASKET, OIL JET			
SE01-10-715	8				-5501
10-730A		VALVE, OIL JET			
SE01-10-730	4				
15-612		PLUG			

5501 NA35* -620210
5712 NA3** -700295

1030 CYLINDER BLOCK

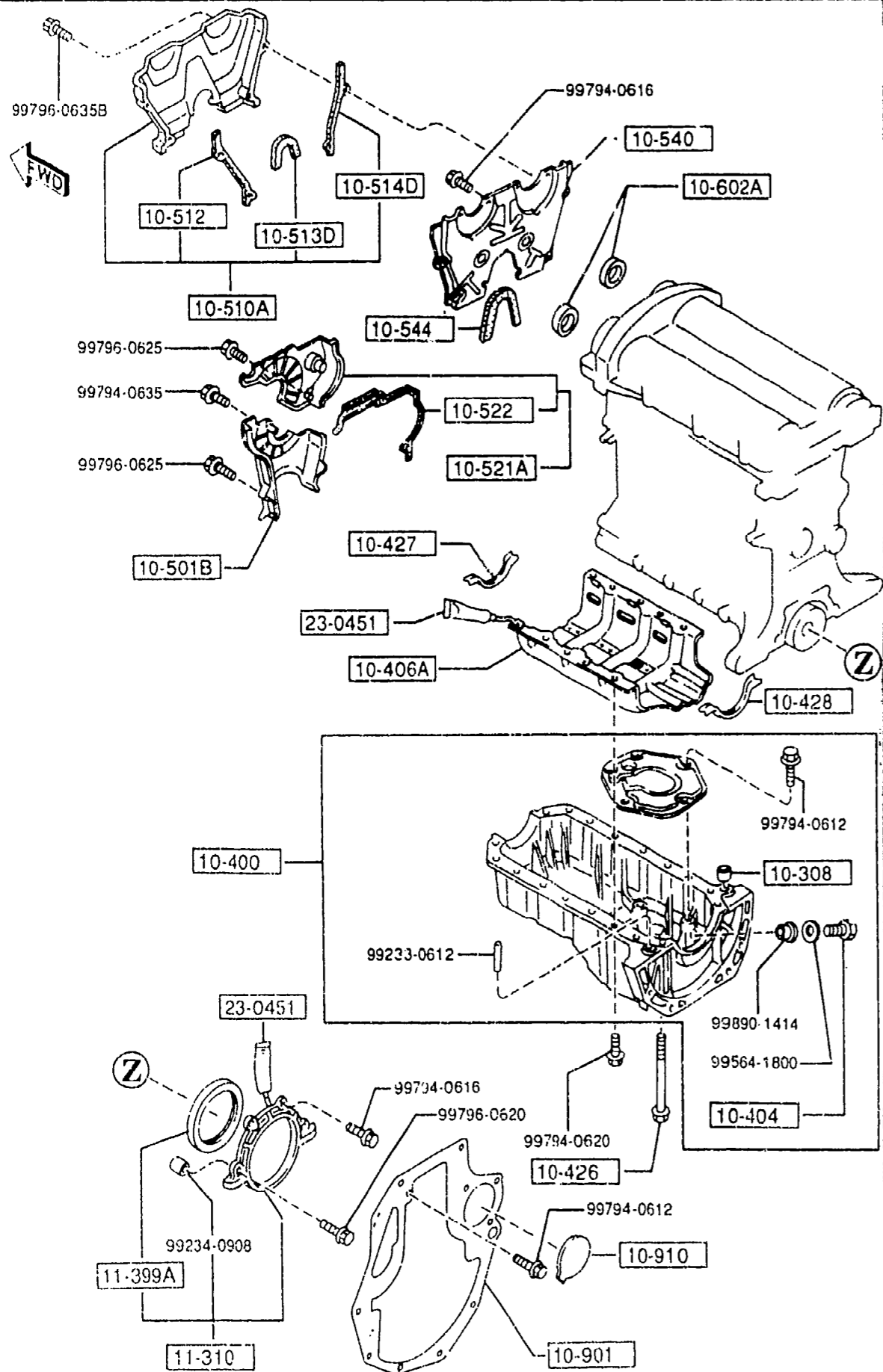


1030 -2 * CYLINDER BLOCK

PART NO.	QTY	MODEL/RESTRICTION	MODEL/RESTRICTION	MODEL/RESTRICTION	FROM-TO
CONT'D SE01-15-612	1				-5712

5712 NA3** -700295

1040 OIL PAN & TIMING COVER

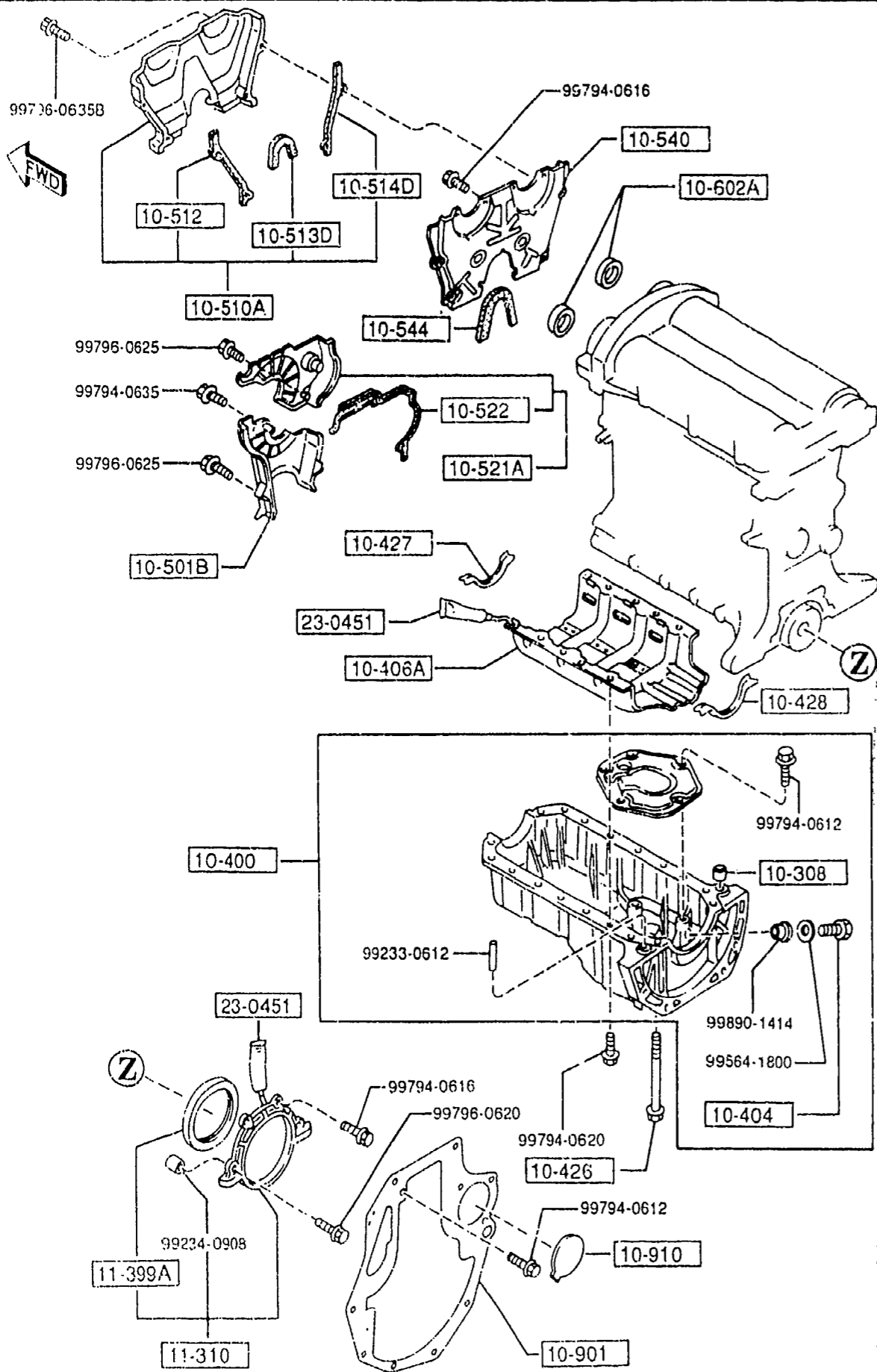


1040 -1 OIL PAN & TIMING COVER

PART NO.	QTY	MODEL/RESTRICTION	MODEL/RESTRICTION	MODIFI./RESTRICTION	FROM-TO
10-308		PIN,TUBULAR			
B6F4-10 308	1				
10-400		PAN,OIL			
BPE8-10-400A	1				
10-404		PLUG,DRAIN			
B6S7-10-404A	1				
10-406A		PLATE,OIL BAFFLE-CYL . BLK			
BPE8-10-40Y	1				
10-426		BOLT			
B6S7-10-465	2				
10-427		GASKET,OIL PAN			
B6F4-10-427	1				
10-428		GASKET,OIL PAN			
B6F4-10-428	1				
10-501B		COVER,TIMING BELT-LW R			
B660-10-501E	1				
10-510A		COVER(UP.),TIMING CH AIN			
B61P-10-510	1				
10-512		GASKET(L)			
B61P-10-512	1	NON ASBESTOS			
10-513D		GASKET(INN),TIMING B ELT(L)			
B61P-10-513	1	NON ASBESTOS			
10-514D		GASKET(C),TIMING BEL T(L)			
B61P-10-514	1	NON ASBESTOS			
10-521A		COVER,TIMING BELT-C.			
B660-10-520B A (B660-10-521B)	1				-4901

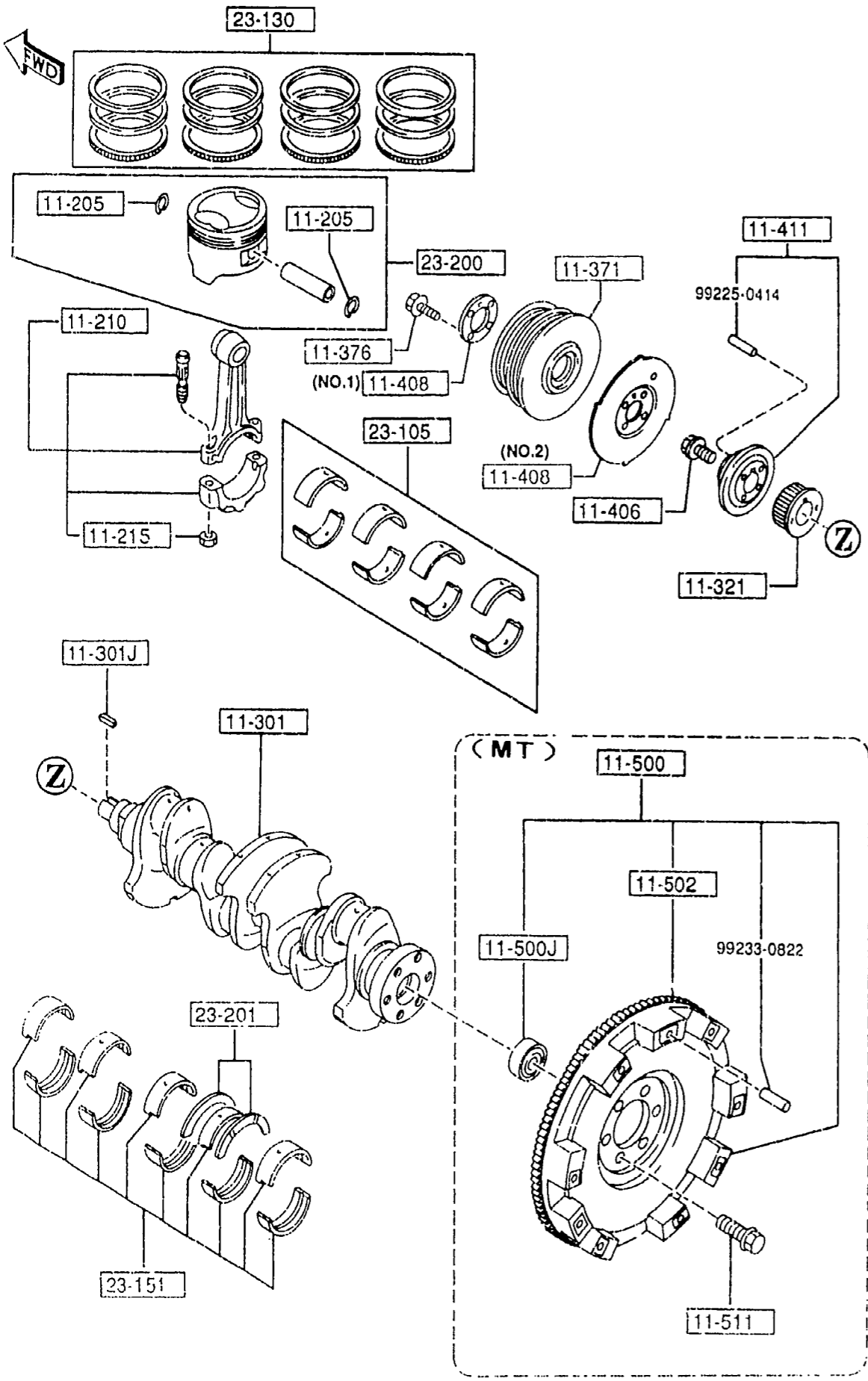
4901 NA35* -602618

1040 OIL PAN & TIMING COVER

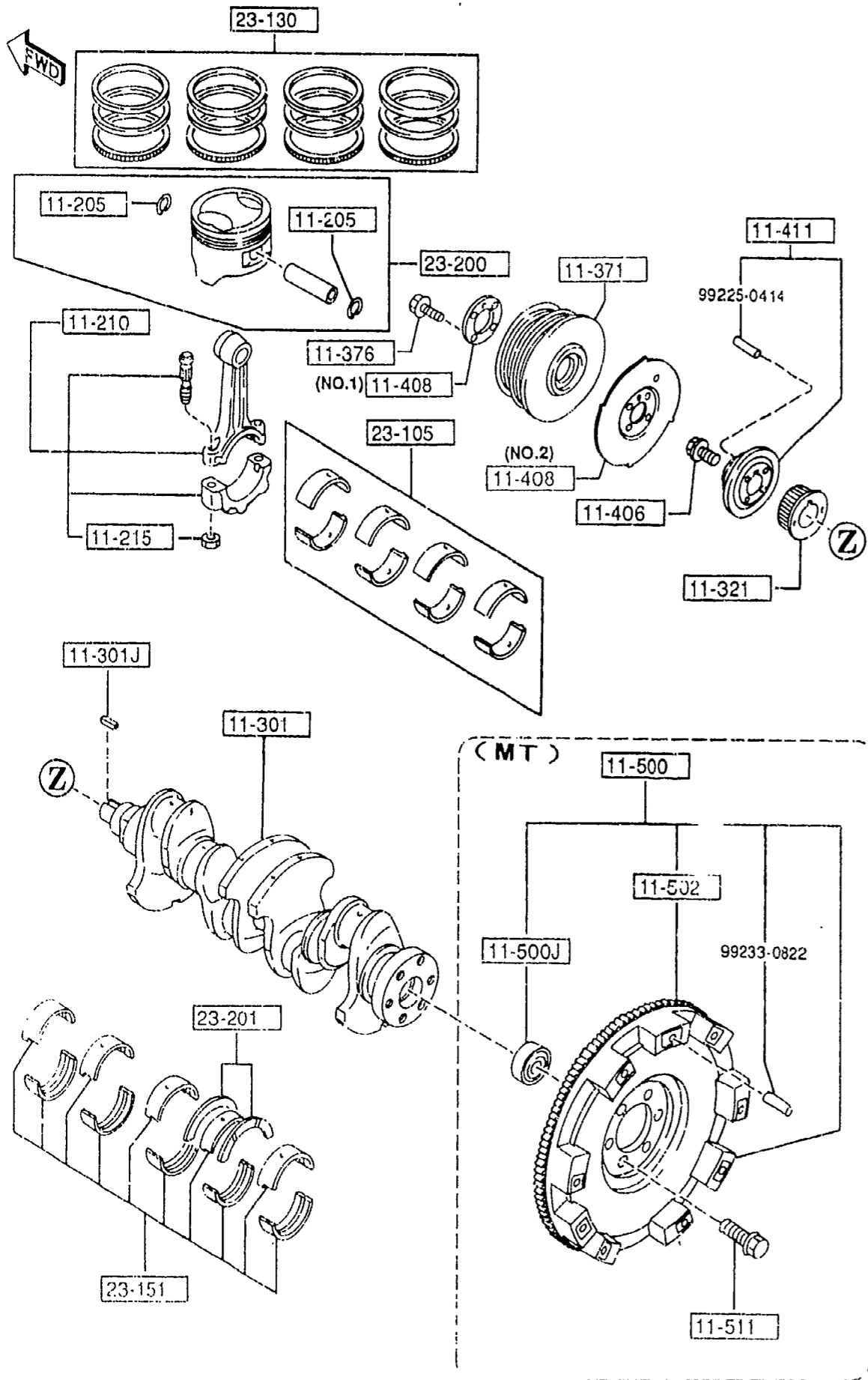


1040 -2 * OIL PAN & TIMING COVER

PART NO.	QTY	MODEL/RESTRICTION	MODEL/RESTRICTION	MODEL/RESTRICTION	FROM-TO
CONT'D					
B660-10-521B	1				4901-
+-----+					
10-522		GASKET, T. BELT COVER-			
+-----+		C.			
B660-10-522	1	NON ASBESTOS			-4901
+-----+					
10-540		PLATE, SEAL-T. BELT CO			
+-----+		VER U			
B61P-10-540C	1				
+-----+					
10-544		RUBBER, SEAL-SEAL PLA			
+-----+		TE			
B61P-10-544	1				
+-----+					
10-602A		SEAL, OIL			
+-----+					
FS05-10-602A	2				
+-----+					
10-901		PLATE, END			
+-----+					
B61P-10-901A	1	(MT)			
B64J-10-901	1	(AT)			
+-----+					
10-910		COVER, END PLATE			
+-----+					
B64J-10-903	1	(AT)			
+-----+					
11-310		COVER, REAR			
+-----+					
B366-11-310C	1				
+-----+					
11-399A		SEAL, OIL-CRANKSHAFT			
+-----+					
BP05-11-312	1				
+-----+					
23-0451		TUBE, SILICON			
+-----+					
B527-77-739	1				
4901 NA35* -602618					

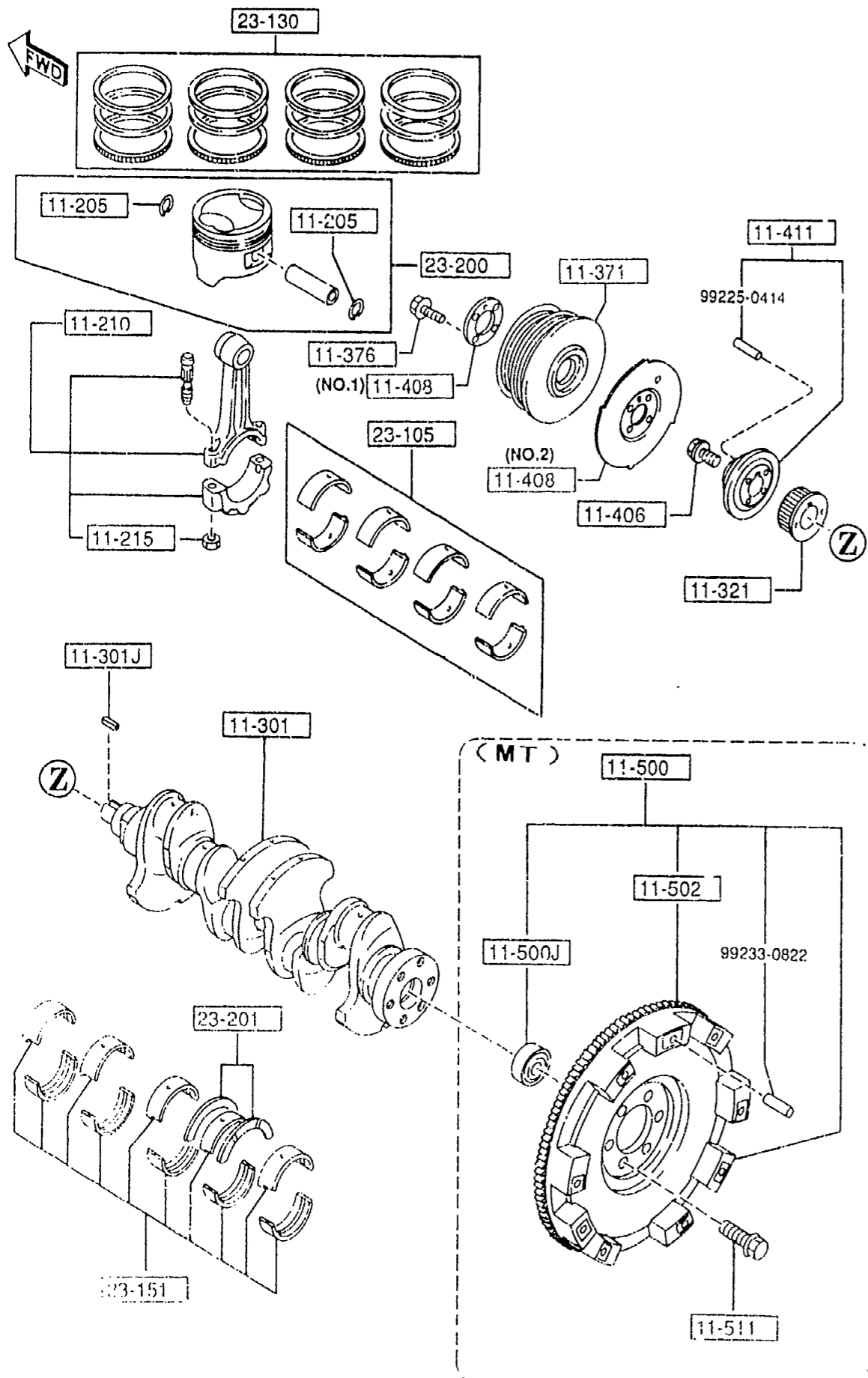


PART NO.	QTY	MODEL/RESTRICTION	MODEL/RESTRICTION	MODEL/RESTRICTION	FROM-TO
11-205		CLIP			
0221-11-205	8				
11-210		ROD,CONNECTING			
B6S7-11-210E	4				
11-215		NUT,CONNECTING ROD			
B6S7-11-215A	8				
11-301		CRANKSHAFT			
BP06-11-300C	1				
11-301J		KEY,WOODRUFF-PULLEY			
B3C7-11-317	1				
11-321		PULLEY,TIMING BELT			
B3C7-11-321	1				
11-371		PULLEY,CRANKSHAFT			
BPD3-11-401A	1				
11-376		BOLT,PULLEY			
JF01-11-405	4				
11-406		BOLT,LOCK-C.SHAFT PULLEY			
B3C7-11-406	1				
11-408		PLATE,CRANKSHAFT PULLEY			
B3C7-11-408	1	(ILLUST. NO.1)			
B6BF-11-408B	1	(ILLUST. NO.2)			
		('96 MODEL)			
11-411		BOSS,PULLEY			
B3C7-11-400	1	('95 MODEL)			
B6BF-11-400A	1	('96 MODEL)			
11-500		WHEEL,FLY			
BPR7-11-500	1	(MT)			
11-500J		BEARING,BALL-FLY WHEEL			
F801-11-303	1	(MT)			

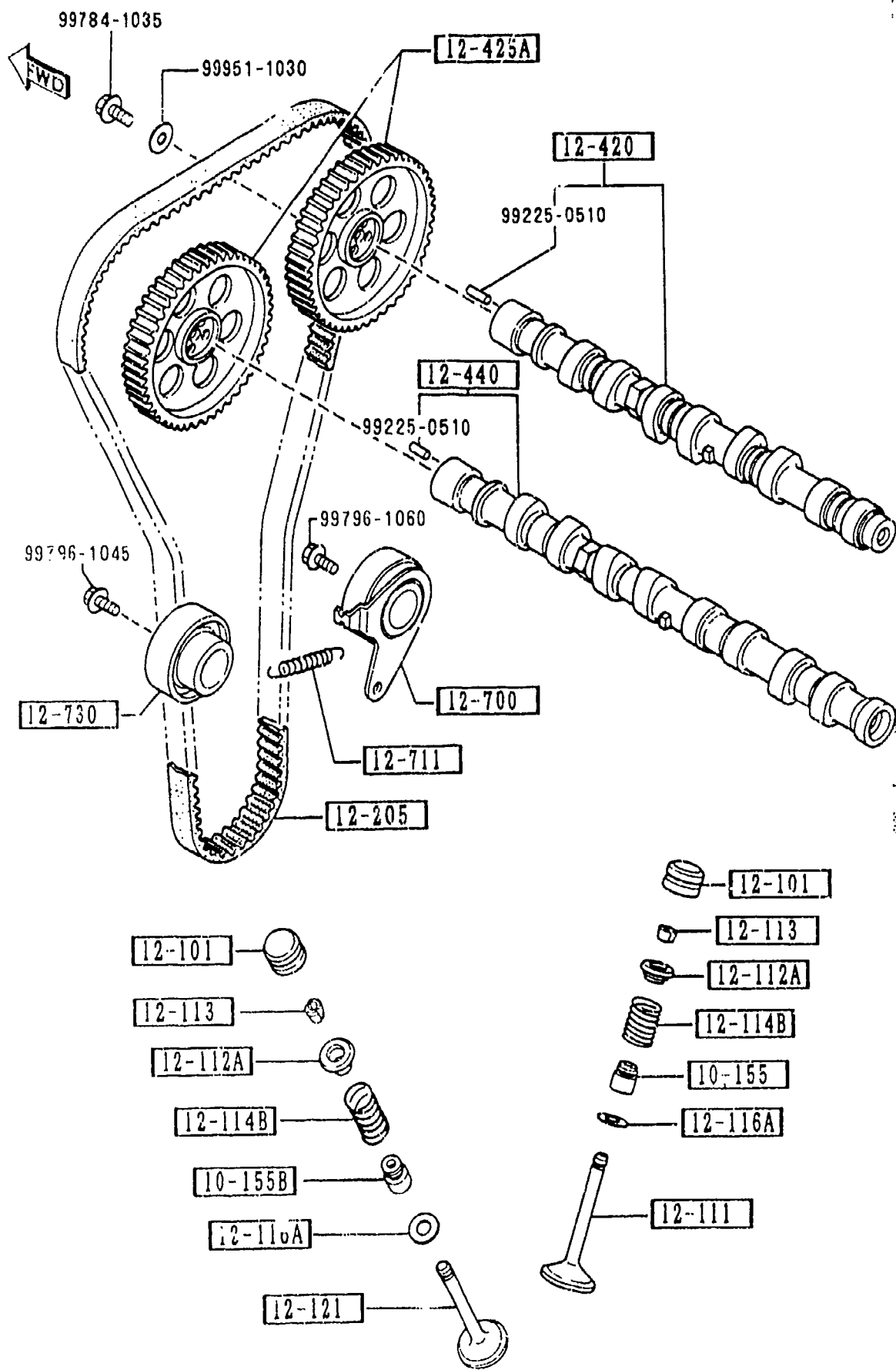


PART NO.	QTY	MODEL/RESTRICTION	MODEL/RESTRICTION	MODEL/RESTRICTION	FROM-TO
11-502	1	GEAR, RING-FLY WHEEL			
B367-11-502	1	YOSHIWA (MT)			4C01-
0110-11-502	1	KANDA (MT)			
11-511	6	BOLT, LOCK-FLYWHEEL			
F201-11-511A	6	(MT)			
23-105	1	METAL SET, CONN. ROD			
B6Y2-11-SEO	1	STD.			-5601
A (B6Y2-11-SEO0A)	1				
B6Y2-11-SFX	1	O.S. 0.50			-5601
A (B6Y2-11-SFXA)	1				
B6Y2-11-SFY	1	O.S. 0.75			-5601
A (B6Y2-11-SFYA)	1				
B6Y2-11-SF0	1	O.S. 0.25			-5601
A (B6Y2-11-SF0A)	1				
B6Y2-11-SEO0A	1	STD.			5601-
B6Y2-11-SFXA	1	O.S. 0.50			5601-
B6Y2-11-SFYA	1	O.S. 0.75			5601-
B6Y2-11-SF0A	1	O.S. 0.25			5601-
23-130	1	RING SET, PISTON			
BPY1-11-SC0	1	STD.			
BPY1-11-SDX	1	O.S. 0.50			
BPY1-11-SD0	1	O.S. 0.25			
23-151	1	METAL SET, MAIN BRG.			
B6Y2-11-SG0	1	STD.			
B6Y1-11-SHX	1	O.S. 0.50			
B6Y1-11-SHY	1	O.S. 0.75			
B6Y1-11-SH0	1	O.S. 0.25			

4C01 NA35* -609691
5601 NA3** -700001

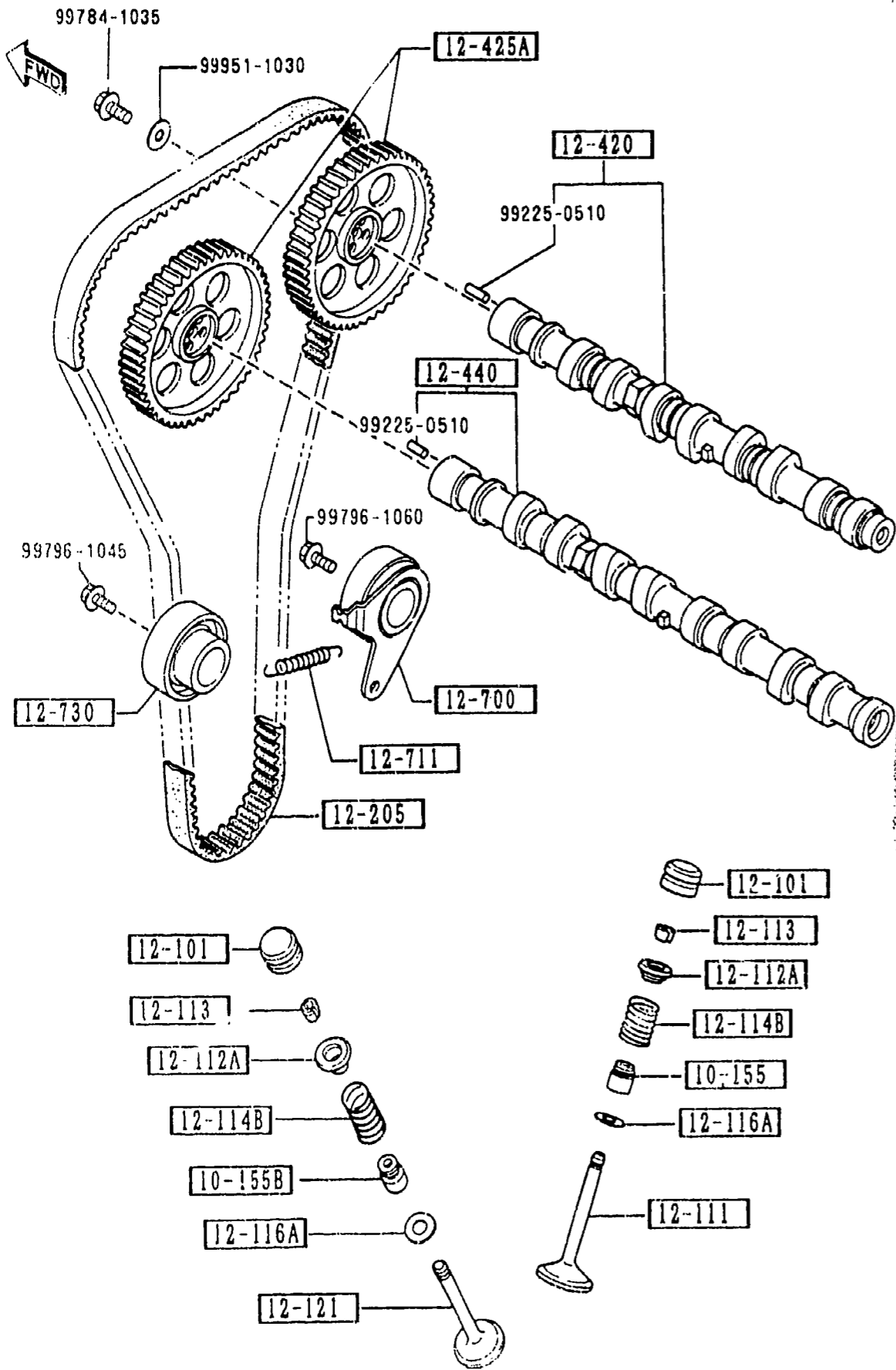


PART NO.	QTY	MODEL/RESTRICTION	MODEL/RESTRICTION	MODEL/RESTRICTION	FROM-TO
23-200		PISTON SET			
BPY1-11-SA0A	4	STD.			
BPY1-11-SBXA	4	O.S. 0.50			
BPY1-11-SB0A	4	O.S. 0.25			
23-201		METAL SET, THRUST			
B6Y1-11-SJ0	1	STD.			
B6Y1-11-SKX	1	O.S. 0.50			
B6Y1-11-SKY	1	O.S. 0.75			
B6Y1-11-SK0	1	O.S. 0.25			



PART NO.	QTY	MODEL/RESTRICTION	MODEL/RESTRICTION	MODEL/RESTRICTION	FROM-TO
10-155		SEAL, VALVE			
KL01-10-155	8	NOK			
10-155B		SEAL, VALVE			
KL02-10-155	8	NOK			
12-101		ADJUSTER, HYDRAULIC L			
KL01-12-101B	16	ASH NITTAN VALVE			
12-111		VALVE, INLET			
BP05-12-111	8	NITTAN VALVE			-5901
BP06-12-111		FUJI VALVE			
A (BP05-12-111)	8				-5A01
BP1B-12-111	8	NITTAN VALVE			5901-
BP06-12-111A	8	FUJI VALVE			5A01-
12-112A		SEAT, VALVE SPG.-UP.			
BP05-12-113	16				-5606
B6BF-12-113	16				5606-
12-113		COTTER, VALVE-IN.			
FE3N-12-114	32				-5606
FS01-12-114	32				5606-
12-114B		SPRING, VALVE			
BP05-12-125	16				
12-116A		SEAT, VALVE SPG.-LWR			
B660-12-123A	16				
12-121		VALVE, EXHAUST			
BP05-12-121A	8				
12-205		BELT, TIMING			
B6S7-12-205C		UNITTA			
AN(B6S7-12-205D)	1				-5C01
B6S7-12-205D		UNITTA			

5606 NA3** -700001
 5901 NA3** -702989
 5A01 NA3** -703035
 5C01 NA3** -706448

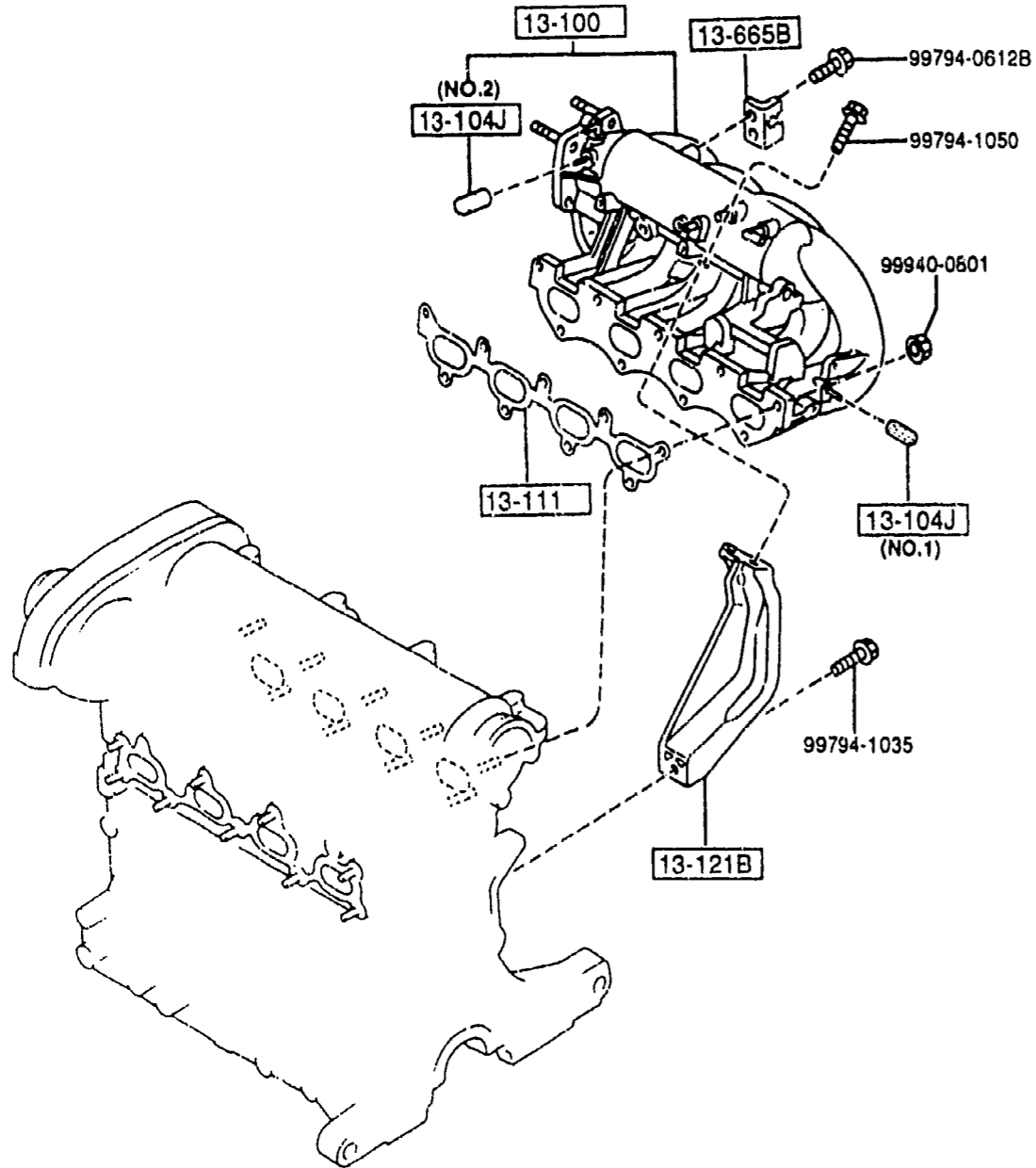


PART NO.	QTY	MODEL/RESTRICTION	MODEL/RESTRICTION	MODEL/RESTRICTION	FROM-TO
CONT'D	1				5C01-
12-420		CAMSHAFT			
BP05-12-420E	1				
12-425A		PULLEY, CAMSHAFT			
B6S7-12-425A	2				
12-440		CAMSHAFT, EXHAUST			
BP06-12-440C	1				
12-700		TENSIONER, TIMING BELT			
B660-12-700E	1				
12-711		SPRING, TENSIONER			
B660-12-711C	1				
12-730		IDLER, TIMING BELT			
B660-12-730C	1				

5C01 NA3** -706448

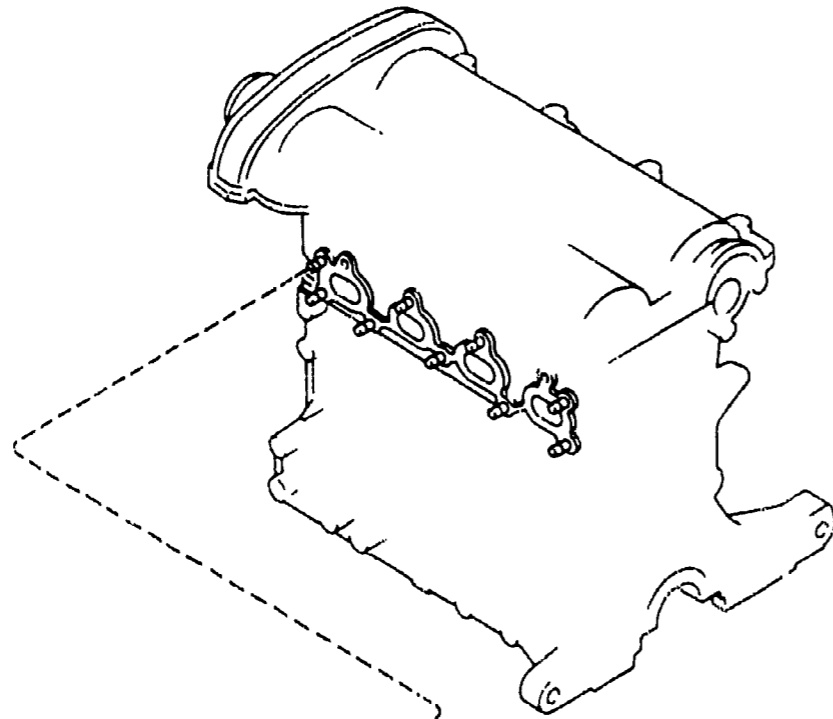
1300 INLET MANIFOLD

1300 -1 * INLET MANIFOLD



PART NO.	QTY	MODEL/RESTRICTION	MODEL/RESTRICTION	MODEL/RESTRICTION	FROM-TO
13-100		MANIFOLD, INLET			
BPE8-13-100C	1				-5201
BPE8-13-100D	1				5201-
13-104J		CAP, BLIND			
F8L7-13-104	1	(ILLUST. NO.1) (MT)			
1010-13-104	1	(ILLUST. NO.2)			
13-111		GASKET, IN. MANIFOLD			
BP05-13-111	1	NON ASBESTOS			
13-121B		STAY, MANIFOLD			
BPE8-13-121	1				
13-665B		BRACKET, ACCEL WIRE			
BPR5-13-665	1				

5201 NA35* -614193



9YB10-1002

13-462

13-390D

90794-0612

13-380

90794-0612

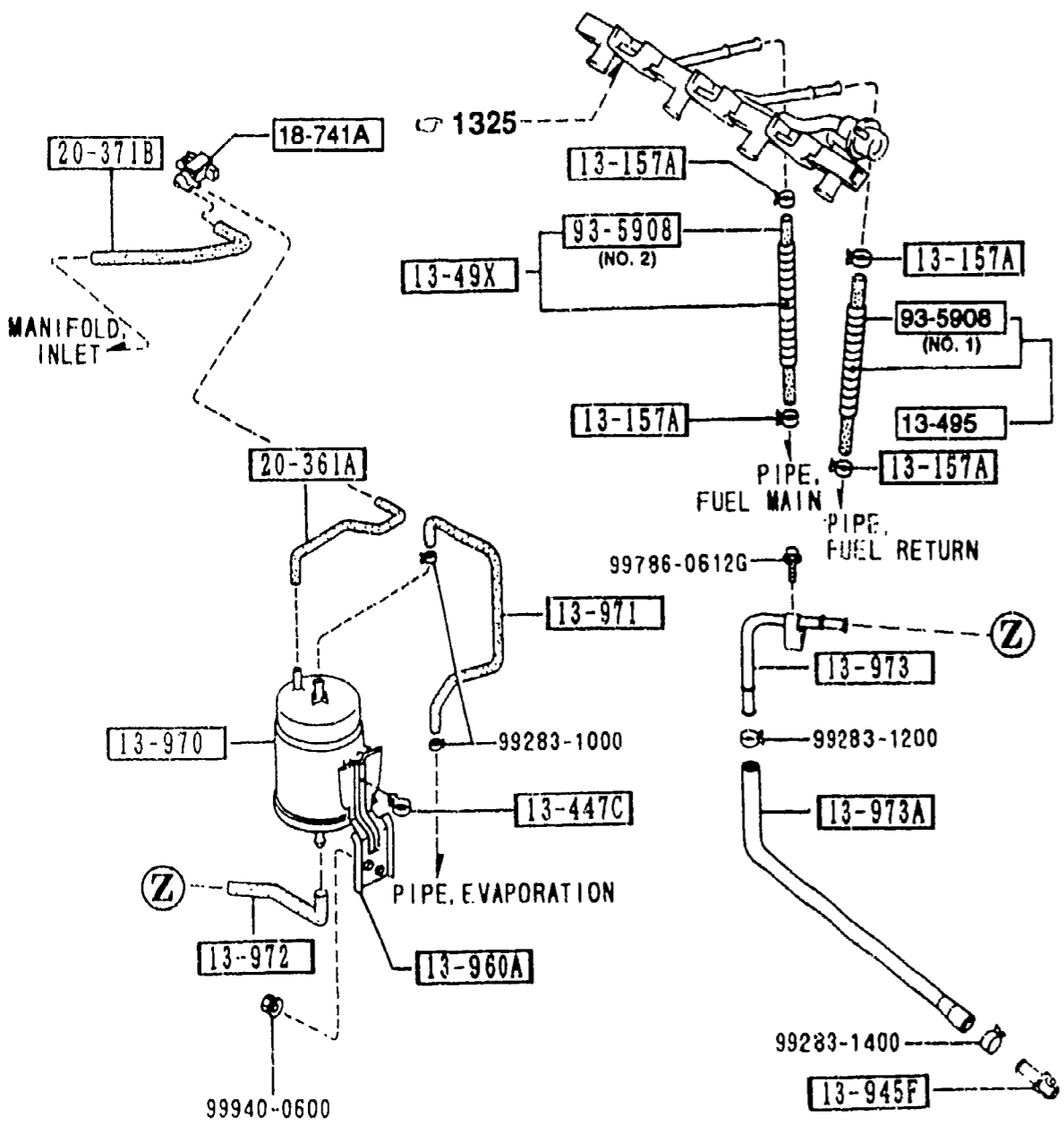
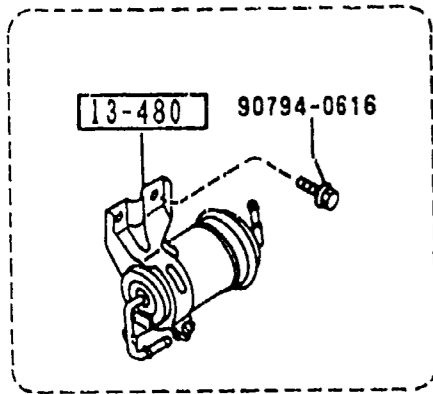
13-456

90906-0602

13-450

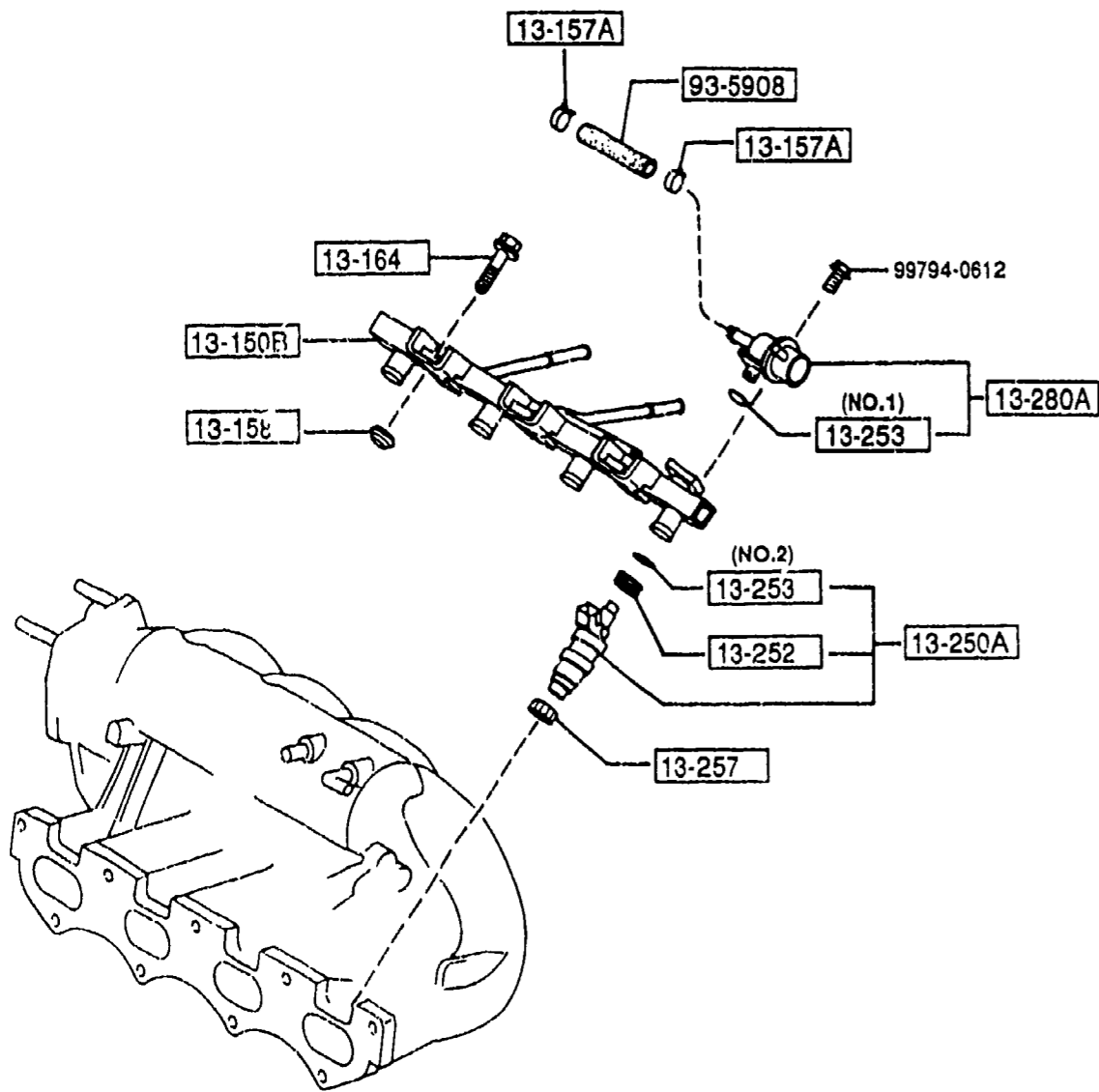
PART NO.	QTY	MODEL/RESTRICTION	MODEL/RESTRICTION	MODEL/RESTRICTION	FROM TO
13-380 BPE8-13-380A	1	INSULATOR, HEAT			
13-390D BPE8-13-390	1	INSULATOR, EX. MANIFOLD			
13-450 BPE8-13-450	1	MANIFOLD, EXHAUST			
13-456 2306-13-456	3	STUD			
13-462 BP05-13-460	1	GASKET, EX. MANIFOLD NON ASBESTOS			

FWD



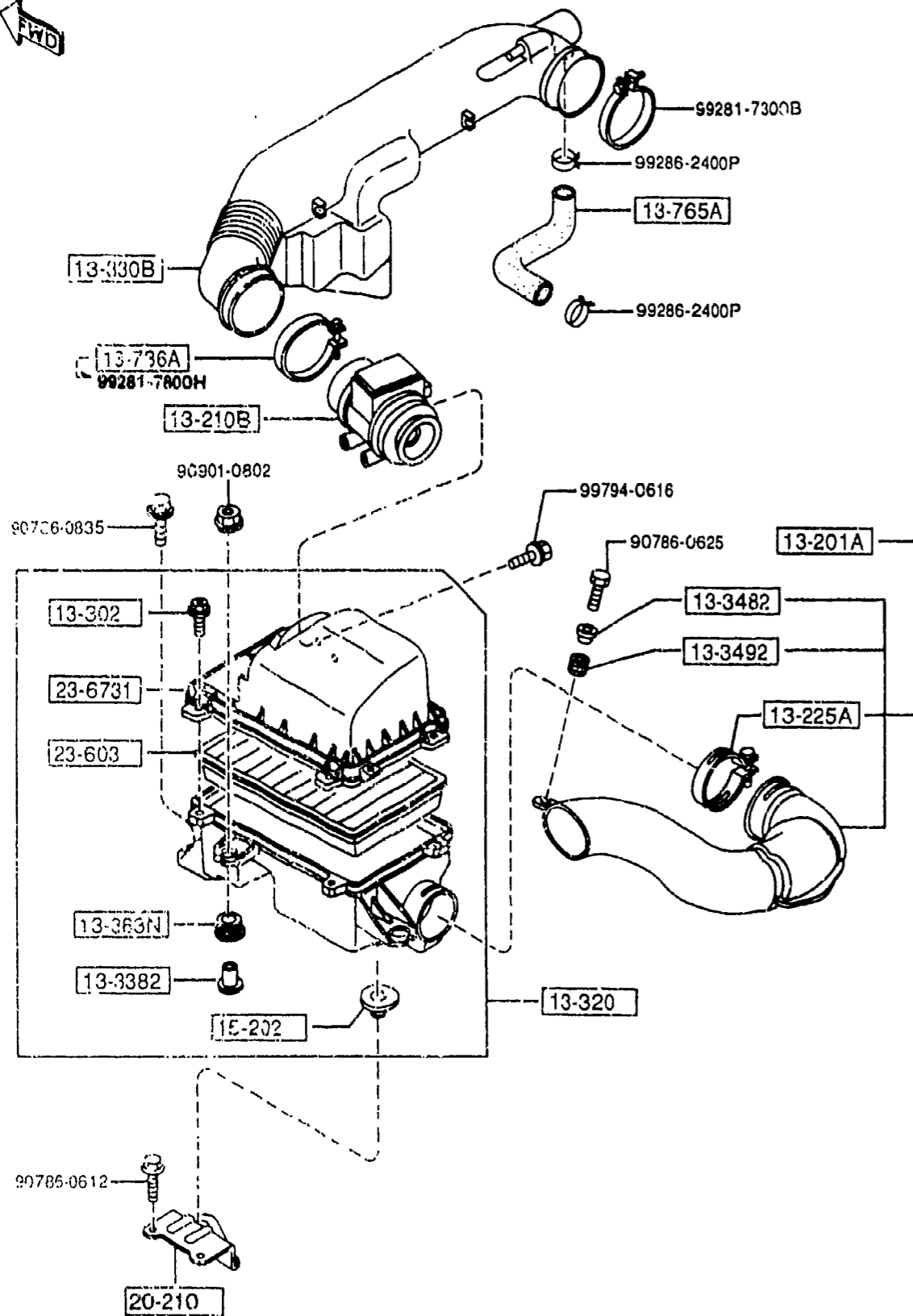
PART NO.	QTY	MODEL/RESTRICTION	MODEL/RESTRICTION	MODEL/RESTRICTION	FROM-TO
CONT'D B61P-20-361	1				
+-----+ 20-371B +-----+		TUBE, VACUUM			
BPE8-20-371	1				
+-----+ 93-5908 +-----+		HOSE			
*99359-0830M	1	(ILLUST. NO.1)			
99359-0834	1	(ILLUST. NO.2)			

1-H 4



PART NO.	QTY	MODEL/RESTRICTION	MODEL/RESTRICTION	MODEL/RESTRICTION	FROM-TO
13-150B	1	DISTRIBUTOR, FUEL			
BPE8-13-150					
13-157A	2	CLIP			
8574-13-157					
13-158	3	INSULATOR, FUEL DIST.			
B675-13-158					
13-164	3	BOLT, FUEL DISTRIBUTOR			
F883-13-164					
13-250A	4	INJECTION, FUEL-M.P.E LECT.			
BP06-13-250					
13-252	4	GROMMET			
8574-13-252					
13-253	1 (ILLUST. NO.1)	RING, 'O'			
0601-13-253					
8574-13-253	4 (ILLUST. NO.2)				
13-257	4	INSULATOR, INJECTION			
JE06-13-257					
13-280A	1	PRESSURE RG., FUEL			
KJ01-13-280					
93-5908	1	HOSE			
99359-0809					

1330 AIR CLEANER

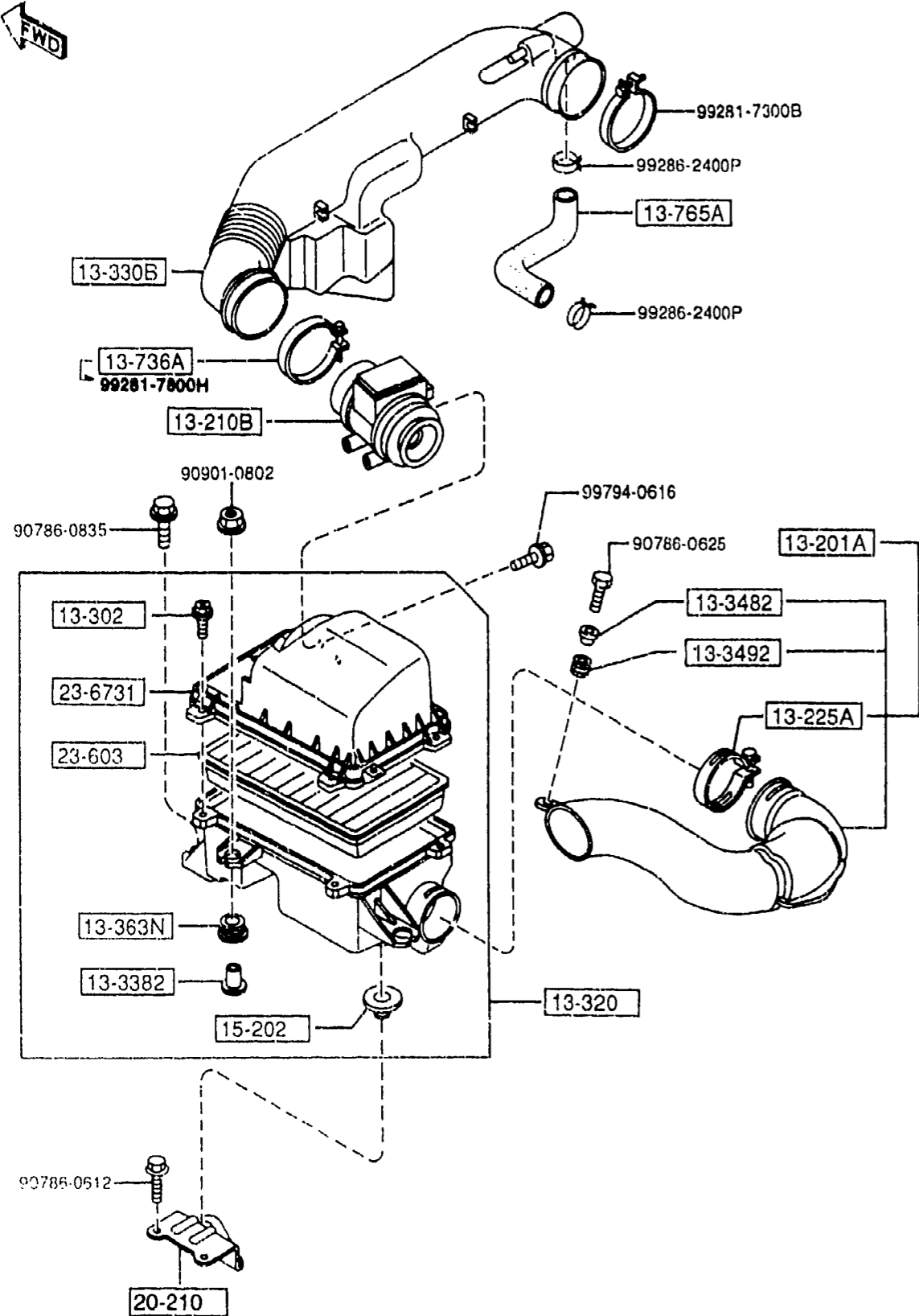


1330 -1 AIR CLEANER

PART NO.	QTY	MODEL/RESTRICTION	MODEL/RESTRICTION	MODEL/RESTRICTION	FROM-TO
13-201A	1	DUCT, FRESH AIR			
BPE8-13-200	1				
13-210B	1	SENSOR, AIR FLOW			
B6BF-13-215	1				
13-225A	1	CLAMP, HOSE			
B61P-13-735	1				
13-302	4	BOLT, AIR CLEANER			
F201-13-302A	4				
13-320	1	CLEANER, AIR			
BPE8-13-320	1				
13-330B	1	PIPE, AIR INTAKE			
BPE8-13-331A A (BPE8-13-331B)	1				-6118
*BPE8-13-331B	1				6118-
13-3382	3	SPACER			
FE51-13-329	3				
13-3482	1	SPACER, AIR INT. PIPE			
SLA1-13-321	1				
13-3492	1	INSULATOR			
S501-13-349	1				
13-363N	3	RUBBER, MOUNTING			
FE51-13-363	3				
13-736A	1	CLAMP, HOSE-A. I. P. /A. CLNR			-5201
KL01-13-735	1				
13-765A	1	HOSE, AIR			
BPE8-13-765A	1				
15-202	1	RUBBER, MOUNT			
B61P-13-Z66	1				

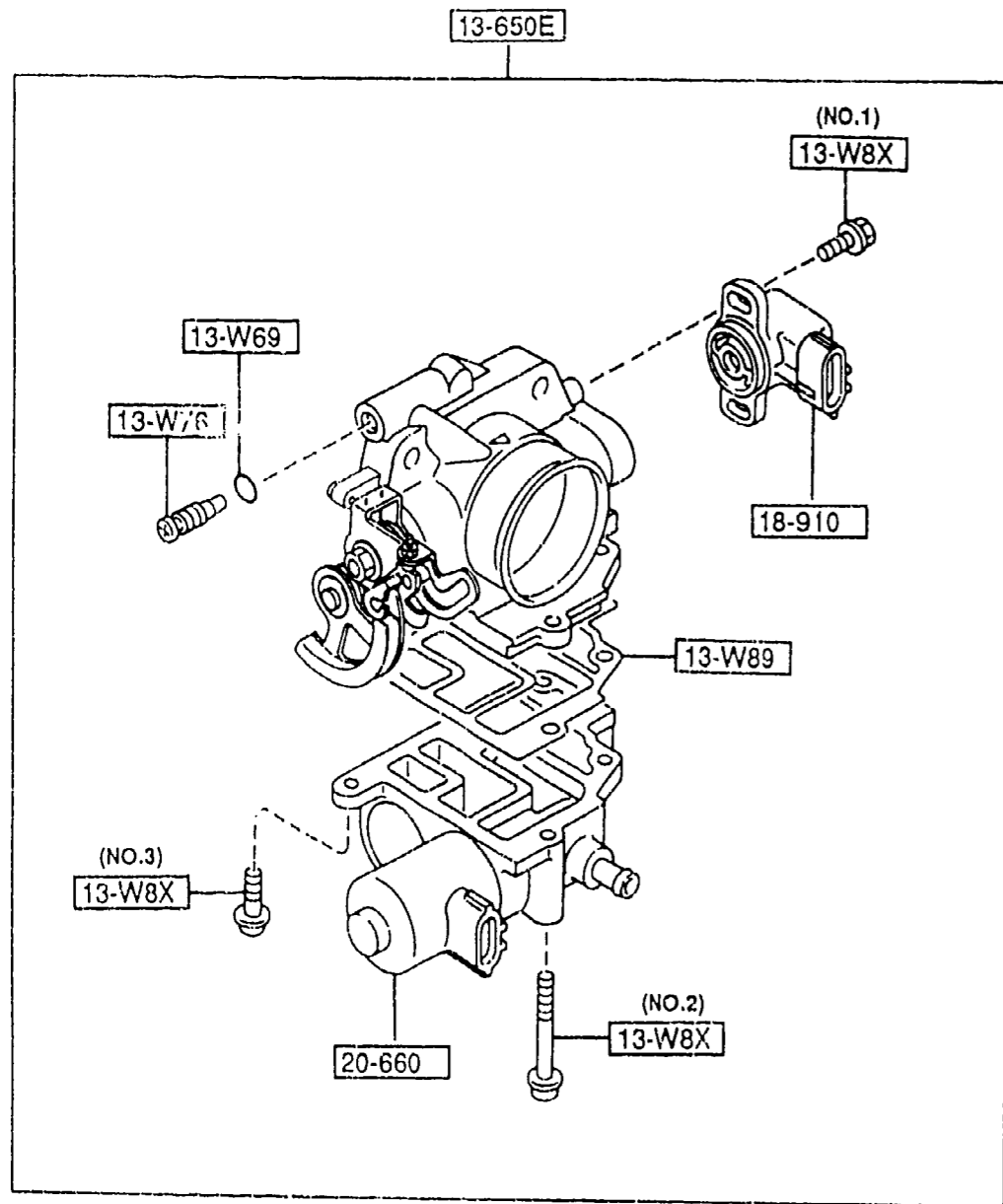
5201 NA35* -614193
6118 NA3** -709942

1330 AIR CLEANER



1330 -2 * AIR CLEANER

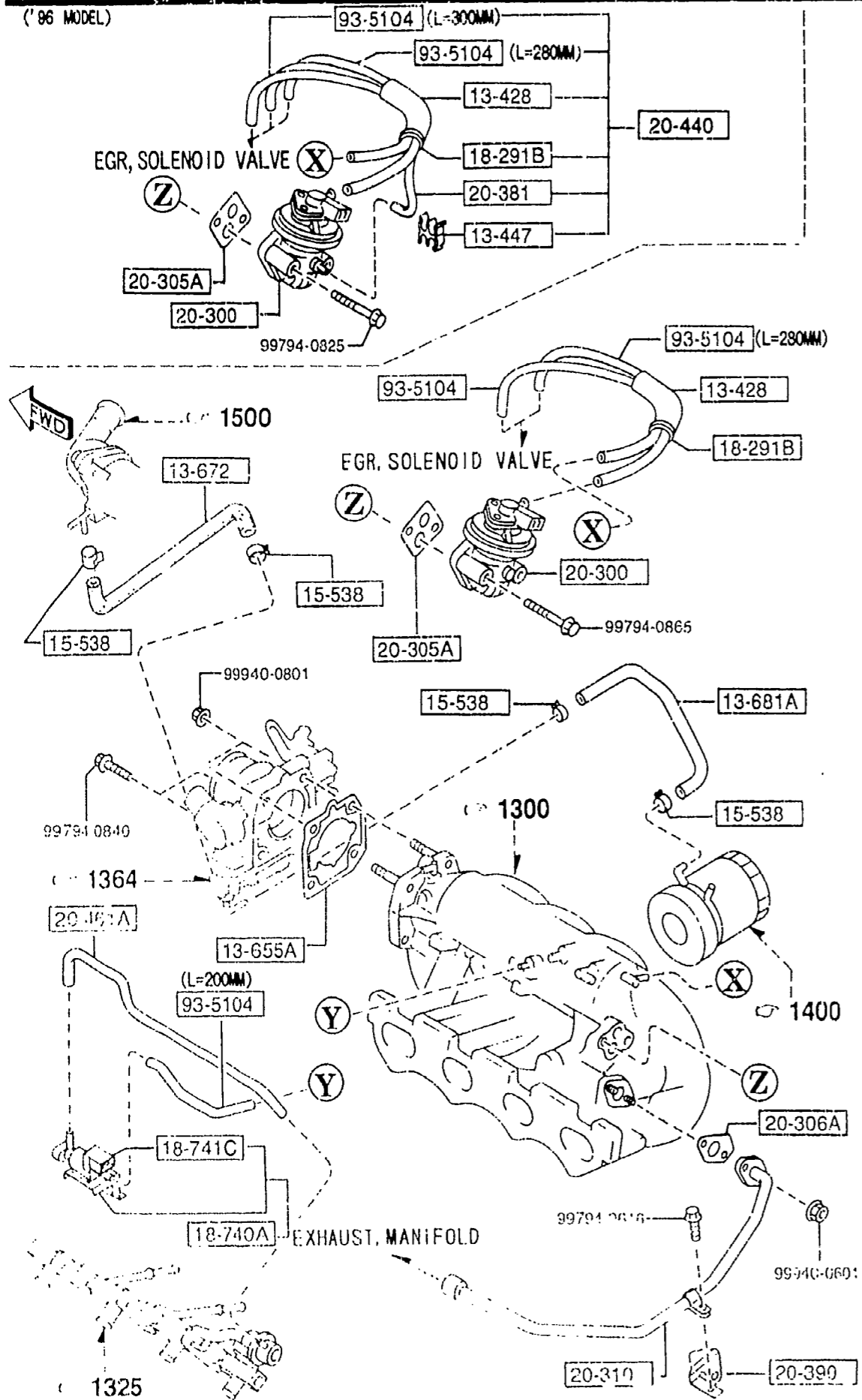
PART NO.	QTY	MODEL/RESTRICTION	MODEL/RESTRICTION	MODEL/RESTRICTION	FROM-TO
20-210		BRACKET, AIR CLEANER			
B61P-20-211	1				
23-603		ELEMENT, AIR CLEANER			
B6S7-13-Z40	1				
23-6731		COVER, AIR CLEANER			
BPE8-13-Z01	1				



PART NO.	QTY	MODEL/RESTRICTION	MODEL/RESTRICTION	MODEL/RESTRICTION	FROM-TO
13-W69		RING, 'O'			
K801-13-W69	1				
13-W76		SCREW, ID. ADJUST-TH. BODY			
K801-13-W76	1				
13-W8X		SCREW & WASHER SET			
B551-13-W8X	2	(ILLUST. NO.1)			
B6BF-13-W8X	2	(ILLUST. NO.2)			
K802-13-W8X	2	(ILLUST. NO.3)			
13-W89		GASKET, THERMO			
B6BF-13-W89	1				
13-650E		BODY, THROTTLE			
BPR5-13-640	1				
18-910		SENSOR, THROTTLE-CARB			
JE50-18-911	1				
20-660		VALVE, IDLE AIR CONTROL			
B6BF-20-660	1				

1370 EMISSION CONTROL SYSTEM (INLET SIDE)

('96 MODEL)



1370 -1 EMISSION CONTROL SYSTEM (INLET SIDE)

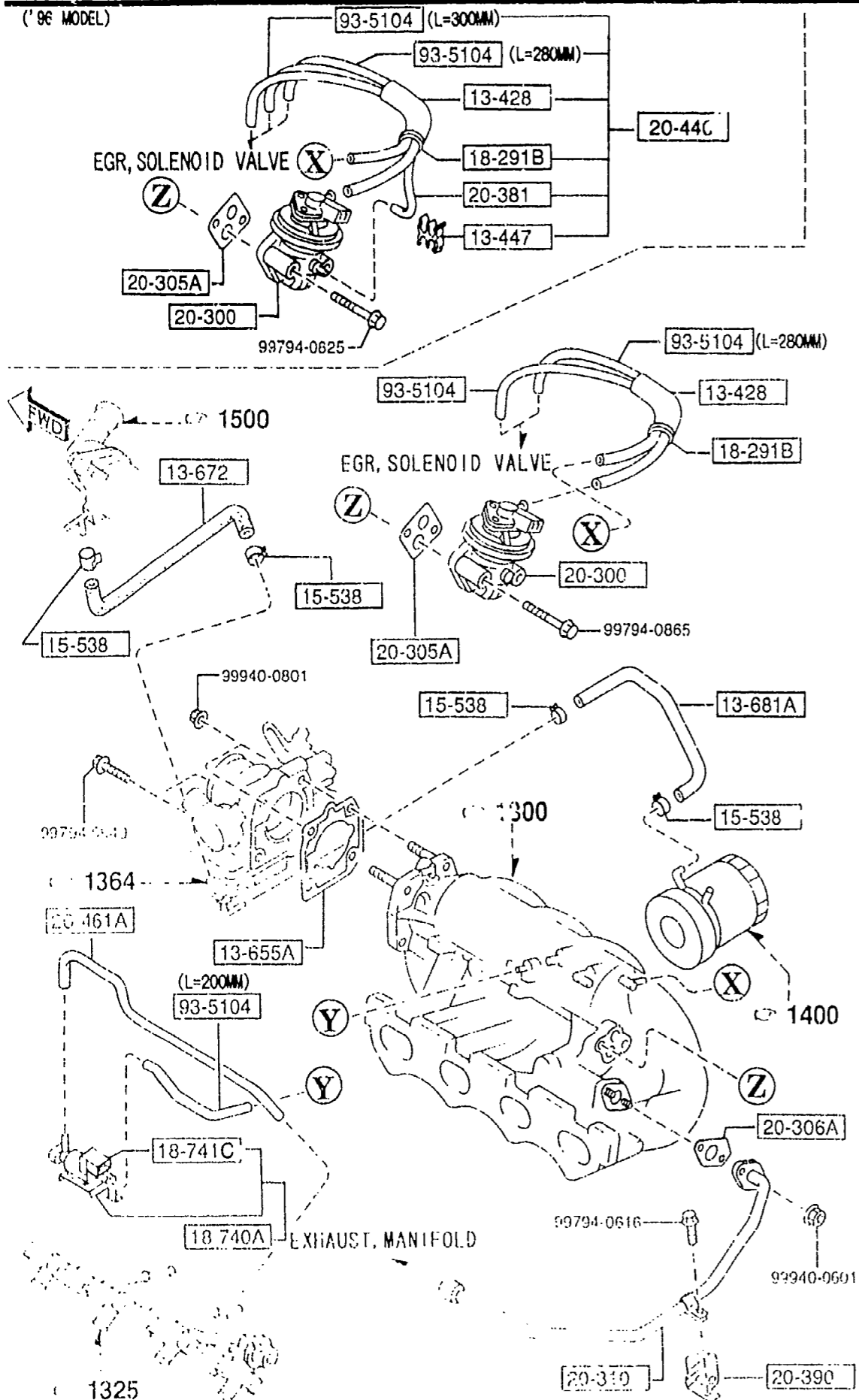
PART NO.	QTY	MODEL/RESTRICTION	MODEL/RESTRICTION	MODEL/RESTRICTION	FROM-TO
13-428		PROTECTOR			
BPS1-13-428A	1	('96 MODEL)			
B367-13-428	1	('95 MODEL)			
13-447		CLIP			
F801-13-447	1	('96 MODEL)			
13-655A		GASKET			
B68F-13-655	1				
13-672		HOSE, WATER			
BPE8-13-682	1				
13-681A		HOSE, WATER			
BPE8-13-601	1				
15-538		CLAMP, WATER HOSE			
JF02-15-538	4				
B6BF-15-538	4				
18-291B		CLAMP, HOSE			
HE21-18-291	1				
18-740A		VALVE, SOLENOID			
B69N-18-740	1				
18-741C		VALVE, SOLENOID			
FS05-18-741	1				
20-300		VALVE, E.G.R.			
Z505-20-300	1				
B6BF-20-300	1				
20-305A		GASKET, E.G.R. VALVE			
JE27-20-305 A (JE27-20-305A)	1				
JE27-20-305A	1				
20-306A		GASKET			
JE06-20-306	1				

5801 NA3** -700842
 5907 NA3** -703015
 5C01 NA3** -706448



1370 EMISSION CONTROL SYSTEM (INLET SIDE)

('96 MODEL)

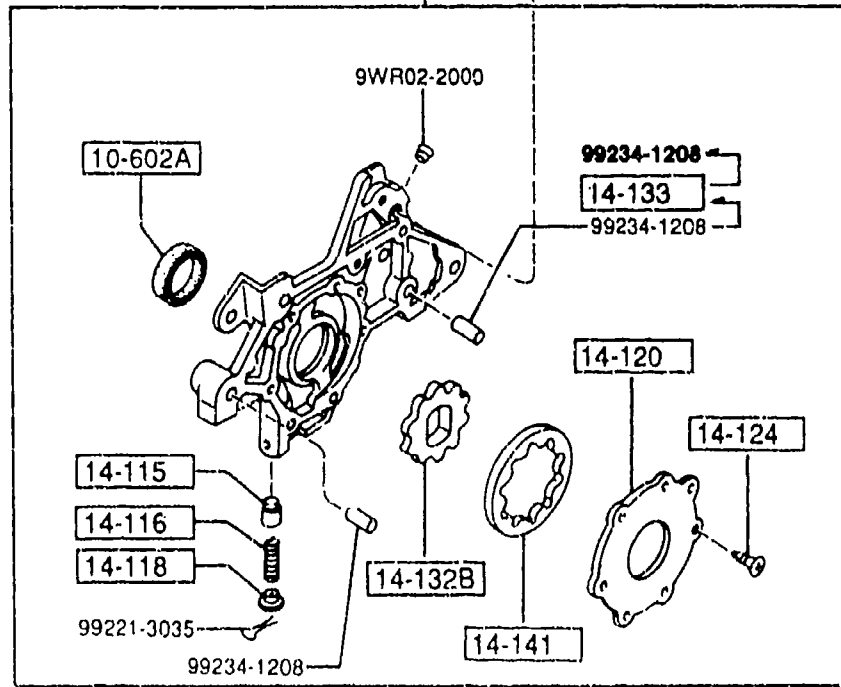
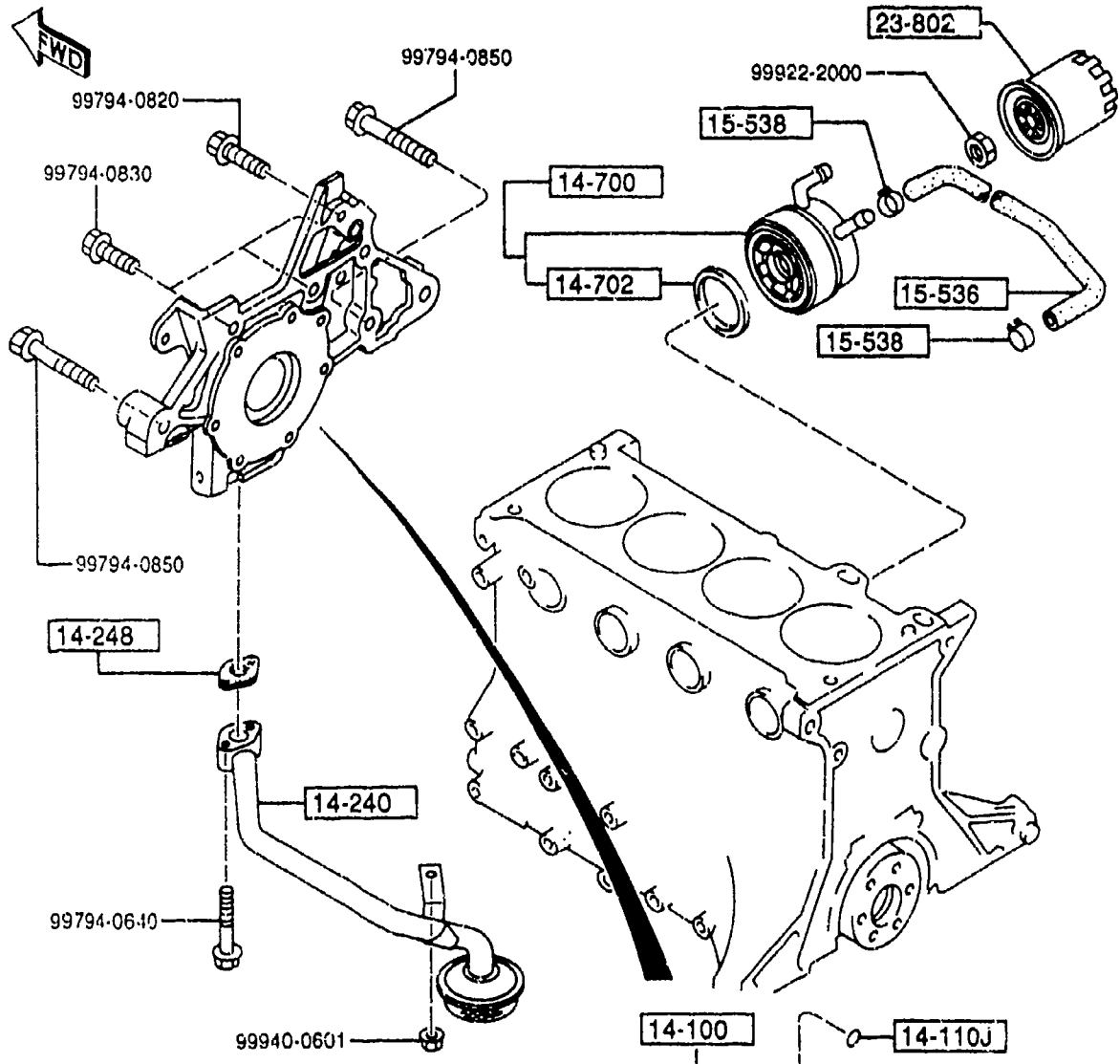


1370 -2* EMISSION CONTROL SYSTEM (INLET SIDE)

PART NO.	QTY	MODEL/RESTRICTION	MODEL/RESTRICTION	MODEL/RESTRICTION	FROM-TO
20-310		PIPE, E.G.R.			
BPE8-20-310	1				
20-381		TUBE, VACUUM			
BPS1-20-381	1				('96 MODEL)
20-390		BRACKET, E.G.R. PIPE			
BPE8-20-390	1				
20-440		TUBE, VACUUM			
*BPS1-20-440A	1				
20-461A		TUBE, VACUUM			
BPE8-20-461	1				
93-5104		HOSE			
99351-04999	1	L=1M CUT IT TO USE			



1400 OIL PUMP & FILTER

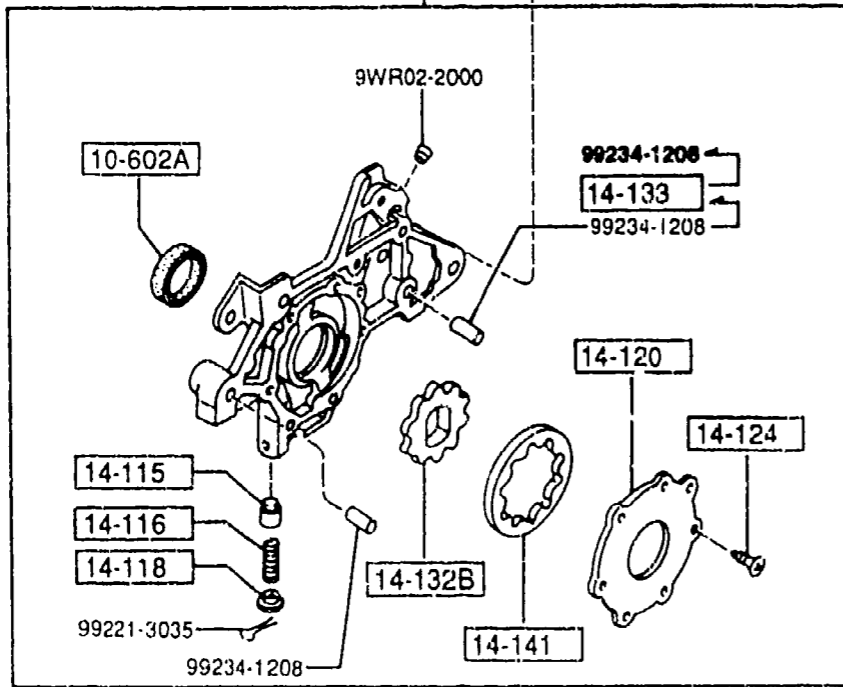
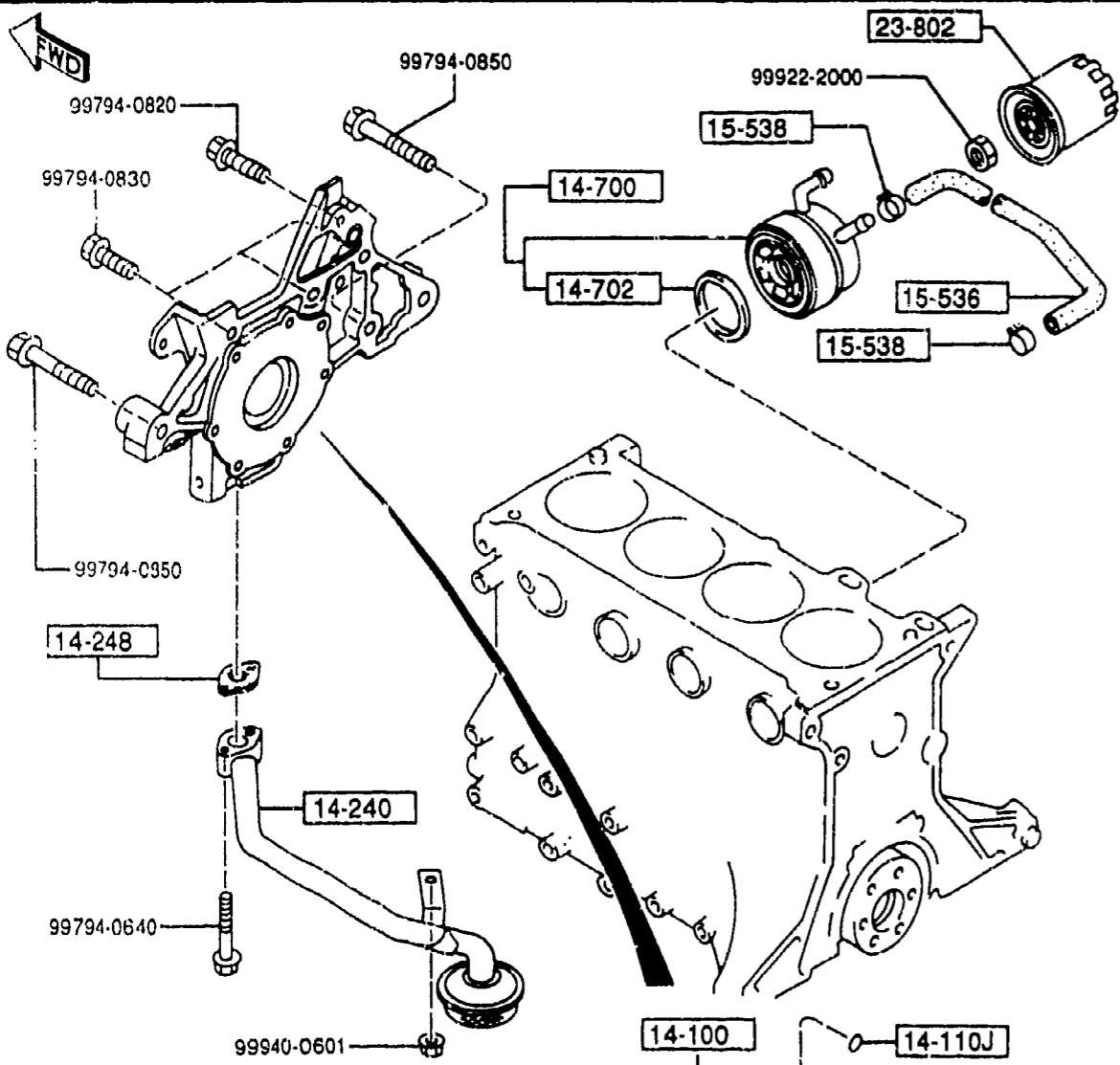


1400 -1 OIL PUMP & FILTER

PART NO.	QTY	MODEL/RESTRICTION	MODEL/RESTRICTION	MODEL/RESTRICTION	FROM-TO
10-602A	1	SEAL, OIL			
B3C7-10-602A	1	NON ASBESTOS			
14-100	1	PUMP, OIL			-6305
B6S8-14-100G A (B6S8-14-100H)	1				6305-
*R6S8-14-100H	1				
14-110J	1	RING, 'O'			
FE1H-14-122A	1				
14-115	1	PLUNGER, CONTROL			-6305
JF01-14-115	1				6305-
*FS01-14-115	1				
14-116	1	SPRING, PRESSURE			
0324-14-116B	1				
14-118	1	SHEET, SPRING			
0222-14-118	1				
14-120	1	COVER, OIL PUMP			
B6BF-14-121	1				
14-124	7	SCREW, OIL PUMP COVER			
FE1H-14-124	7				
14-132B	1	GEAR, INNER			
B6S7-14-132	1				
14-133	2	PIN, GROOVED			6305-6601
*B6S8-14-133	2				
14-141	1	GEAR, OUTER			
B6S7-14-141	1				
14-240	1	STRAINER, OIL			
BPE8-14-240	1				
14-240	1	GASKET, OIL STRAINER			

6305 NA3** -714961
6601 NA3** -719621

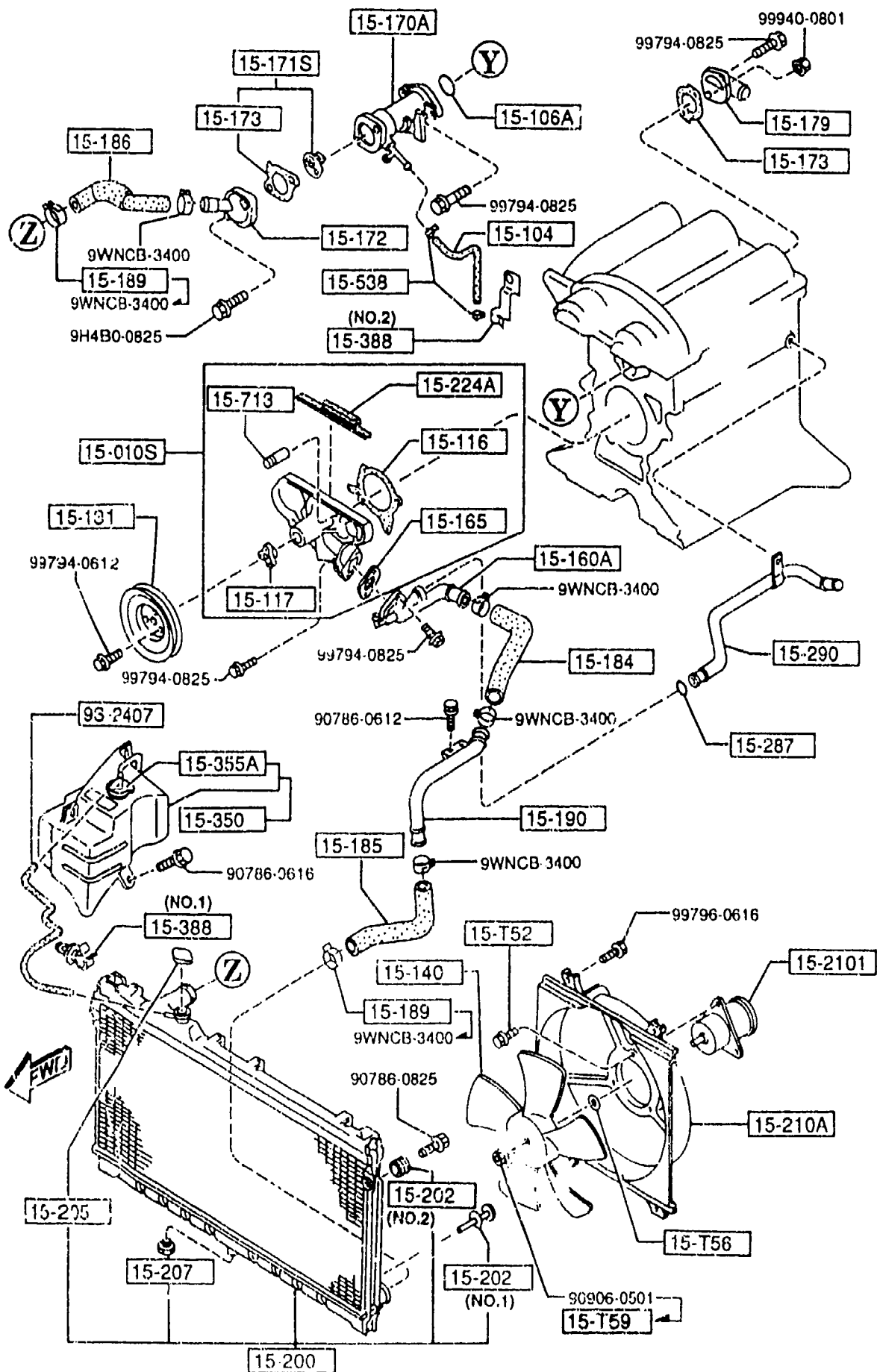
1400 OIL PUMP & FILTER



1400 -2 * OIL PUMP & FILTER

PART NO.	QTY	MODEL/RESTRICTION	MODEL/RESTRICTION	MODEL/RESTRICTION	FROM-TO
CONT'D					
B6BF-14-248	1				
+-----+					
14-700		COOLER,OIL			
+-----+					
BPE8-14-700	1				
+-----+					
14-702		GASKET			
+-----+					
KL01-14-702A	1				
+-----+					
15-536		HOSE,WATER-OIL COOLE			
+-----+		R IN.			
BPE8-15-536	1				
+-----+					
15-538		CLAMP,WATER HOSE			
+-----+					
JF02-15-538	2				-5C01
B6BF-15-538	2				5C01-
+-----+					
23-802		CARTRIDGE,OIL FILTER			
+-----+					
B6Y1-14-302		(MAZDA MARK,T. ROKI)			
AN(B6Y1-14-302A)	1				-5A01
B6Y1-14-302A		(MAZDA MARK T.ROKI)			
	1				5A01-

5A01 NA3** -703035
5C01 NA3** -706448

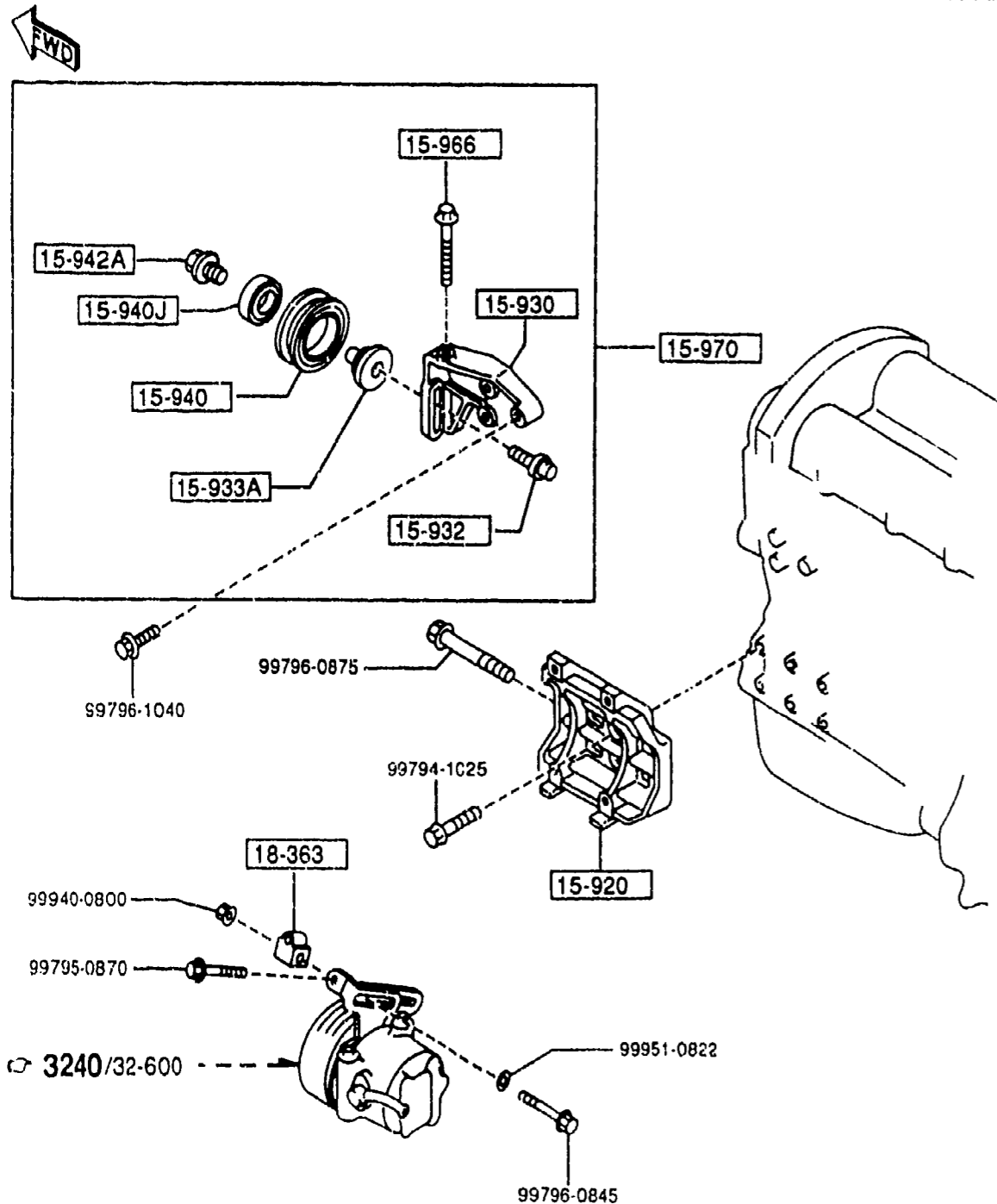
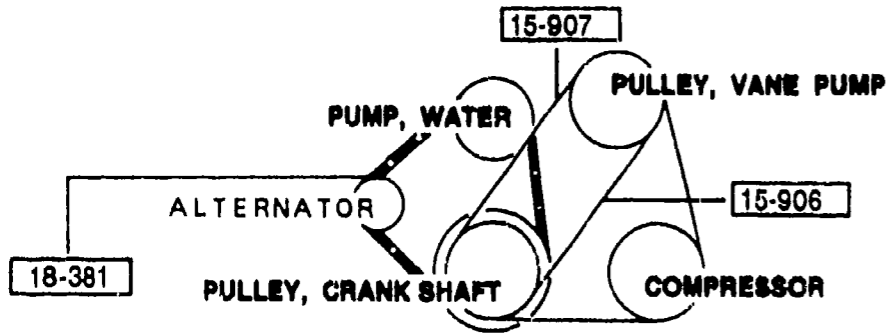


PART NO.	QTY	MODEL/RESTRICTION	MODEL/RESTRICTION	MODEL/RESTRICTION	FROM-TO
15-170A	1	COVER, THERMO			
BPE8-15-170A	1				
15-171S	1	THERMOSTAT SET			
BAB8-15-171	1				
15-172	1	COVER, THERMOSTAT			
BPE8-15-172	1				
15-173	2	GASKET, THERMOSTAT COVER NON ASBESTOS			
B621-15-173	2				
15-179	1	OUTLET, WATER			
BPE8-15-179	1				
15-184	1	HOSE, WATER			
B61P-15-184	1				
15-185	1	HOSE, WATER			
BPE8-15-185	1				
15-186	1	HOSE, WATER			
BPE8-15-186	1				
15-189	2	CLAMP, HOSE			
B366-15-182	2				
15-190	1	PIPE, WATER			
B61P-15-190	1				
15-200	1 (MT) 1 (AT)	RADIATOR			
BPE8-15-200	1 (MT)				
BPE9-15-200	1 (AT)				
15-202	2 (ILLUST. NO. 1) 2 (ILLUST. NO. 2)	RUBBER, MOUNT			
B61P-15-202	2 (ILLUST. NO. 1)				
N326-15-202	2 (ILLUST. NO. 2)				
15-205		CAP, RADIATOR			
D316-15-205		CALSONIC			

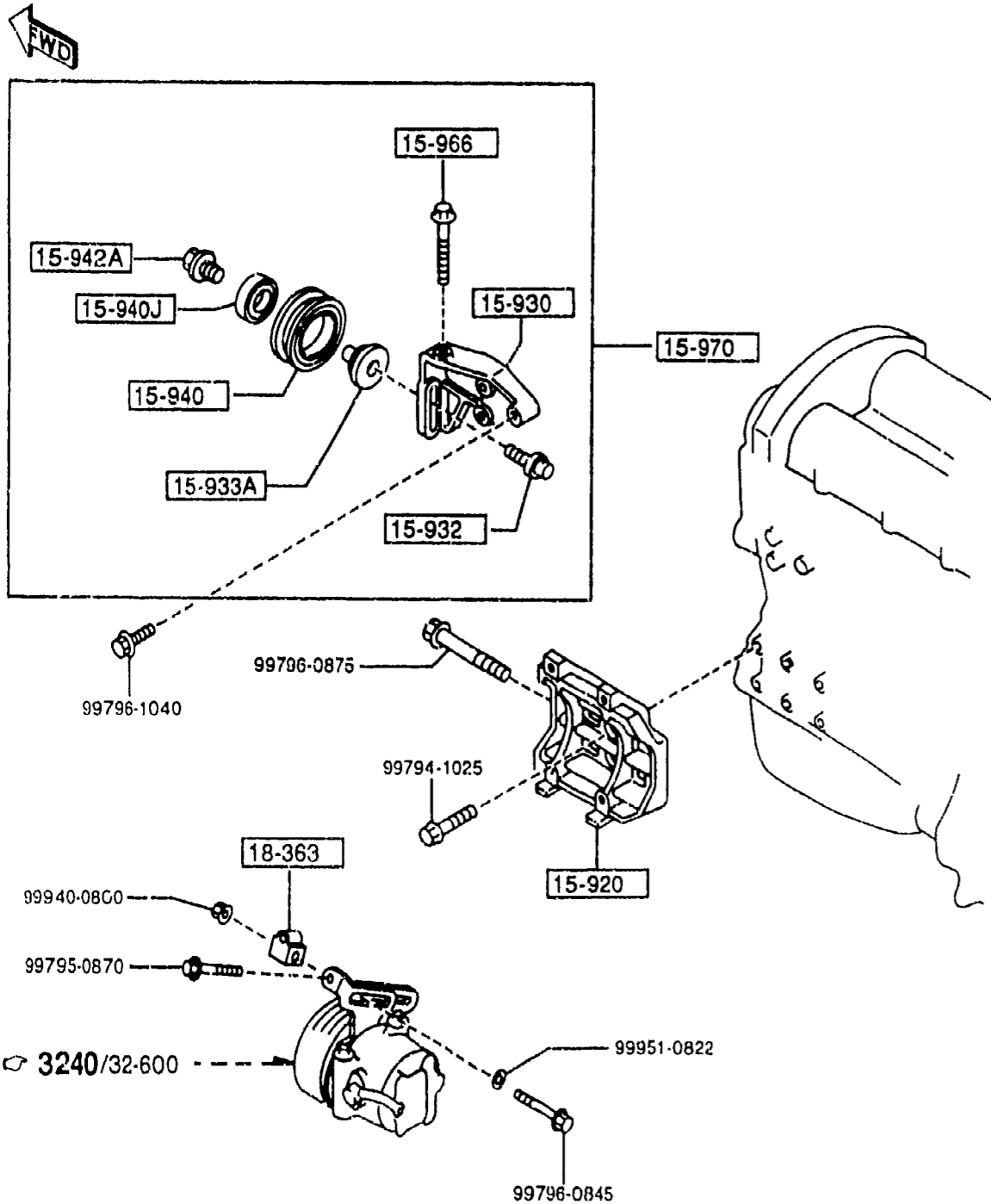
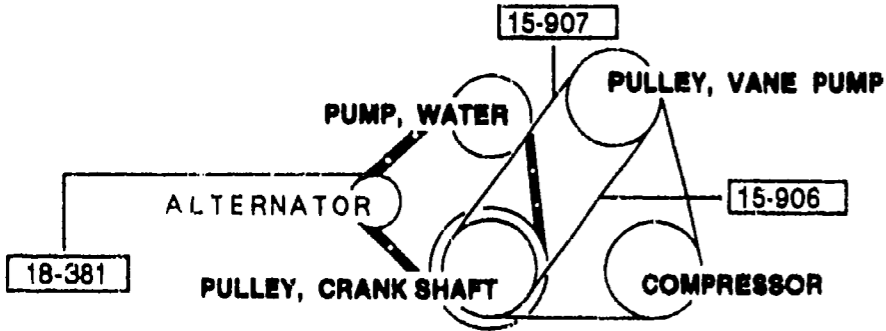
5501 NA35* -620210

-5501





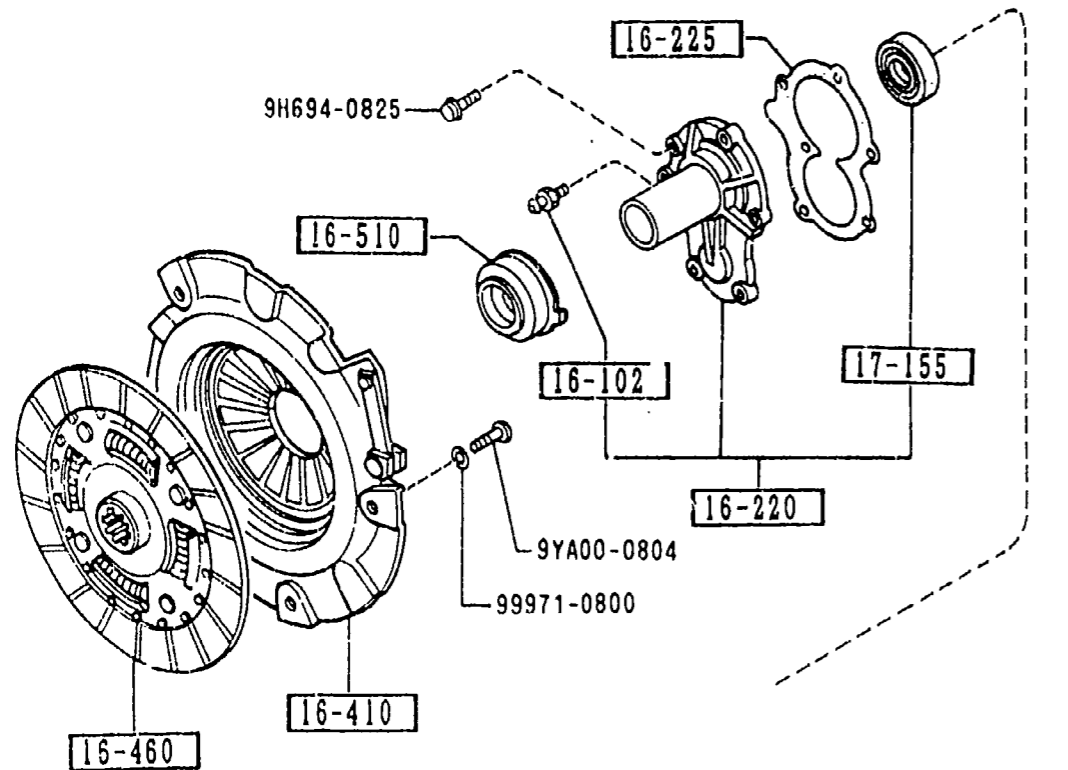
PART NO.	QTY	MODEL/RESTRICTION	MODEL/RESTRICTION	MODEL/RESTRICTION	FROM-TO
15-906		BELT 'V'			
B61P-15-907A	1	4PK-855 MITSUBOSHI (W/O AIR CON.+W/POWER STEERING)			
15-907		BELT 'V'			
B3C7-15-907C	1	4PK L=848MM (W/AIR CON.+W/O POWER STEERING)			
BPF3-15-909	1	(A) 4PK L=940MM BAND			
BPE8-15-908	1	(E) GOODYEAR 4PK848 (W/AIR CON.+W/O POWER STEERING)			4C01-
BPE8-15-909	1	(A) GOODYEAR 4PK940 (W/AIR CON.+W/POWER STEERING)			4C01-
15-920		BRACKET, COMPRESSOR			
BPE8-15-810A	1	(A) (W/AIR CON.)			
15-930		BRACKET, IDLE PULLEY			
BP01-15-951	1	(A) (W/AIR CON.+W/O POWER STEERING)			
15-932		SHAFT, PULLEY			
B631-15-932	1	(A) (W/AIR CON.+W/O POWER STEERING)			
15-933A		COLLAR			
BP01-15-933	1	(A) (W/AIR CON.+W/O POWER STEERING)			
15-940		PULLEY, IDLE			
BP01-15-940	1	(A) (W/AIR CON.+W/O POWER STEERING)			
15-940J		BEARING			
99606-83020	1	(A) (W/AIR CON.+W/O POWER STEERING)			
4C01 NA35* -609691					



PART NO.	QTY	MODEL/RESTRICTION	MODEL/RESTRICTION	MODEL/RESTRICTION	FROM-TO
15-942A	1	COLLAR			
E564-15-942	1	(A) (W/AIR CON.+W/O POWER STEERING)			
15-966	1	BOLT, ADJUST			
E564-15-934	1	(A) (W/AIR CON.+W/O POWER STEERING)			
15-970	1	PULLEY, IDLE			
BP01-15-930	1	(A) (W/AIR CON.+W/O POWER STEERING)			
18-363	1	SPACER, STRAP			
FP02-18-363	1	(W/O AIR CON.+W/POWER STEERING)			
18-381	1	BELT 'V'			
*B596-18-381	1	4PK L=885 GOOD YEAR			
*B6BF-18-381	1	4PK L=885 BANDO			

1600 CLUTCH DISC & COVER

1600 -1 * CLUTCH DISC & COVER



16-460

16-410

16-225

9H694-0825

16-510

16-102

17-155

16-220

9YA00-0804

99971-0800

99796-1260

99796-1275

99940-1201

16-520

16-232A

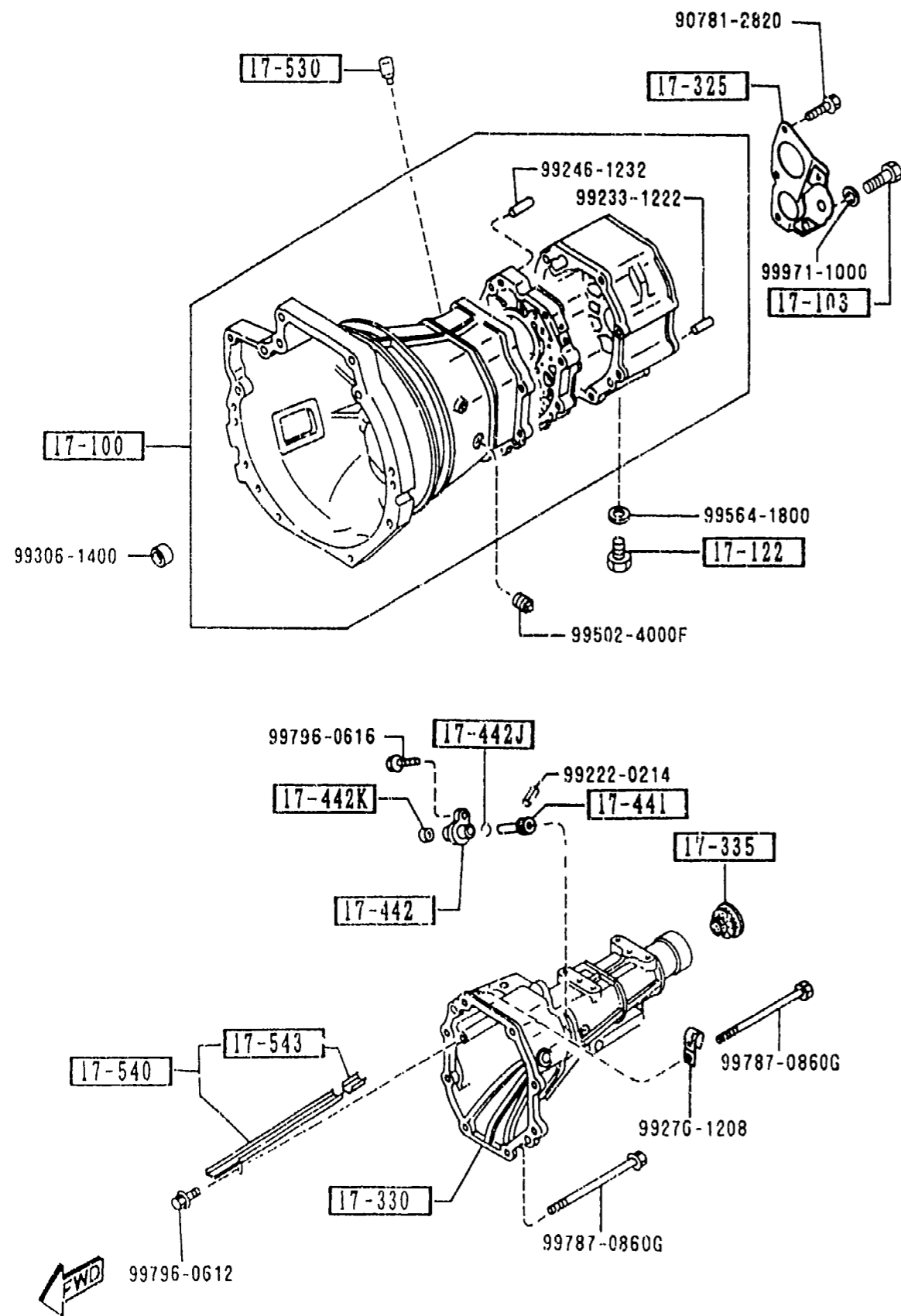
16-214

99796-1275

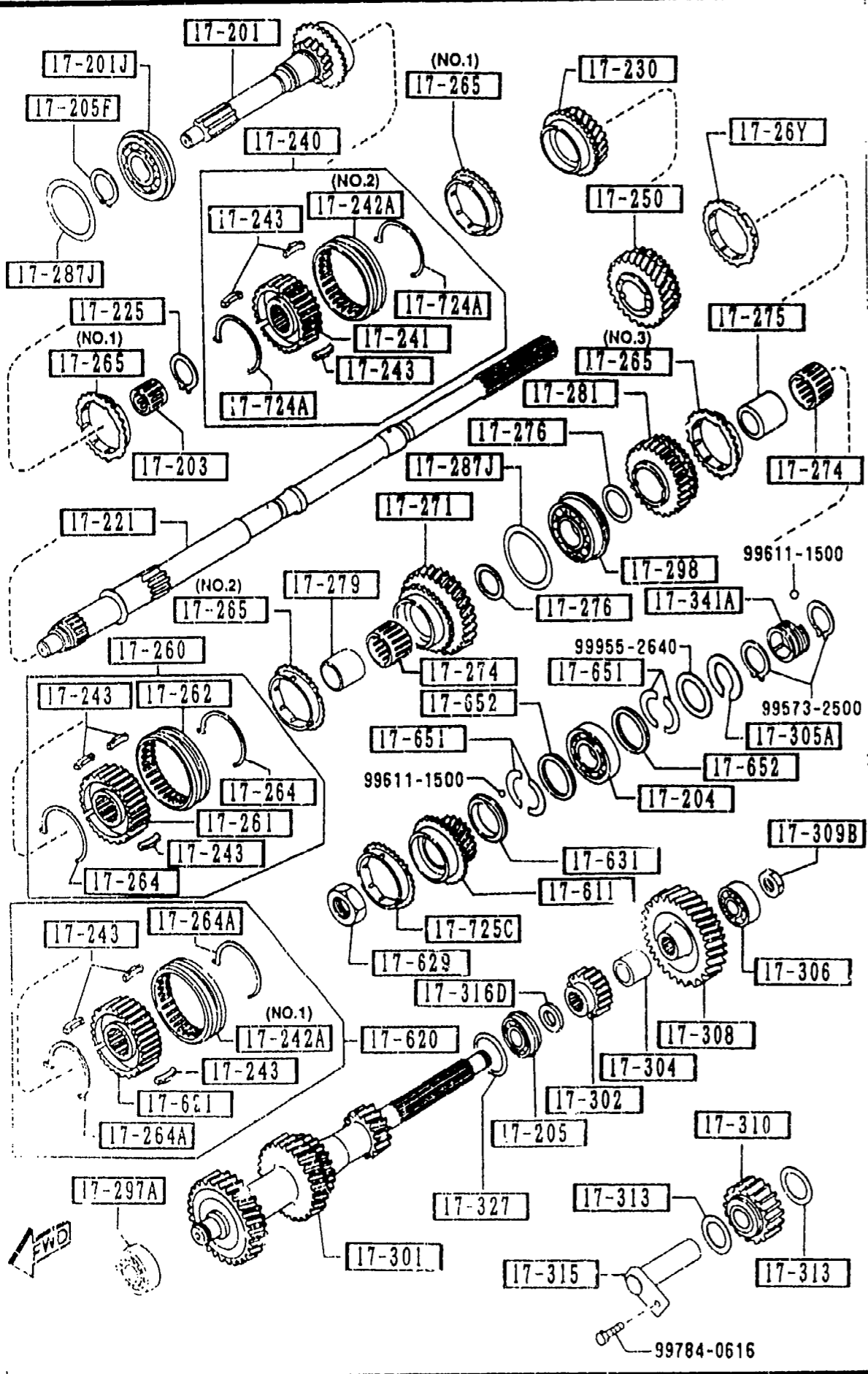


PART NO.	QTY	MODEL/RESTRICTION	MODEL/RESTRICTION	MODEL/RESTRICTION	FROM-TO
16-102	1	PIN, PIVOT-CLUTCH REL. FORK			
0603-16-102B					
16-214	1	COVER, DUST-CLUTCH FORK			-5101
FE51-16-214 A (FE51-16-214A)					
FE51-16-214A					5401-
16-220	1	COVER, FRONT CLUTCH			-5801
B622-16-220 AN (B622-16-220A)					
B622-16-220A					5801-
16-225	1	GASKET, FRONT COVER			
FE50-16-225A					
16-232A	1	SUPPORTER, FORK			
1416-16-232A					
16-410	1	COVER, CLUTCH			
BP07-16-410					
16-460	1	DISC, CLUTCH			
BP07-16-460					
16-510	1	COLLAR, CLUTCH REL.			
B622-16-510					
16-520	1	FORK, CLUTCH RELEASE			
B622-16-520					
17-155	1	SEAL, OIL			
11501-17-103					

5401 NA35* -619598
5801 NA3** -700842

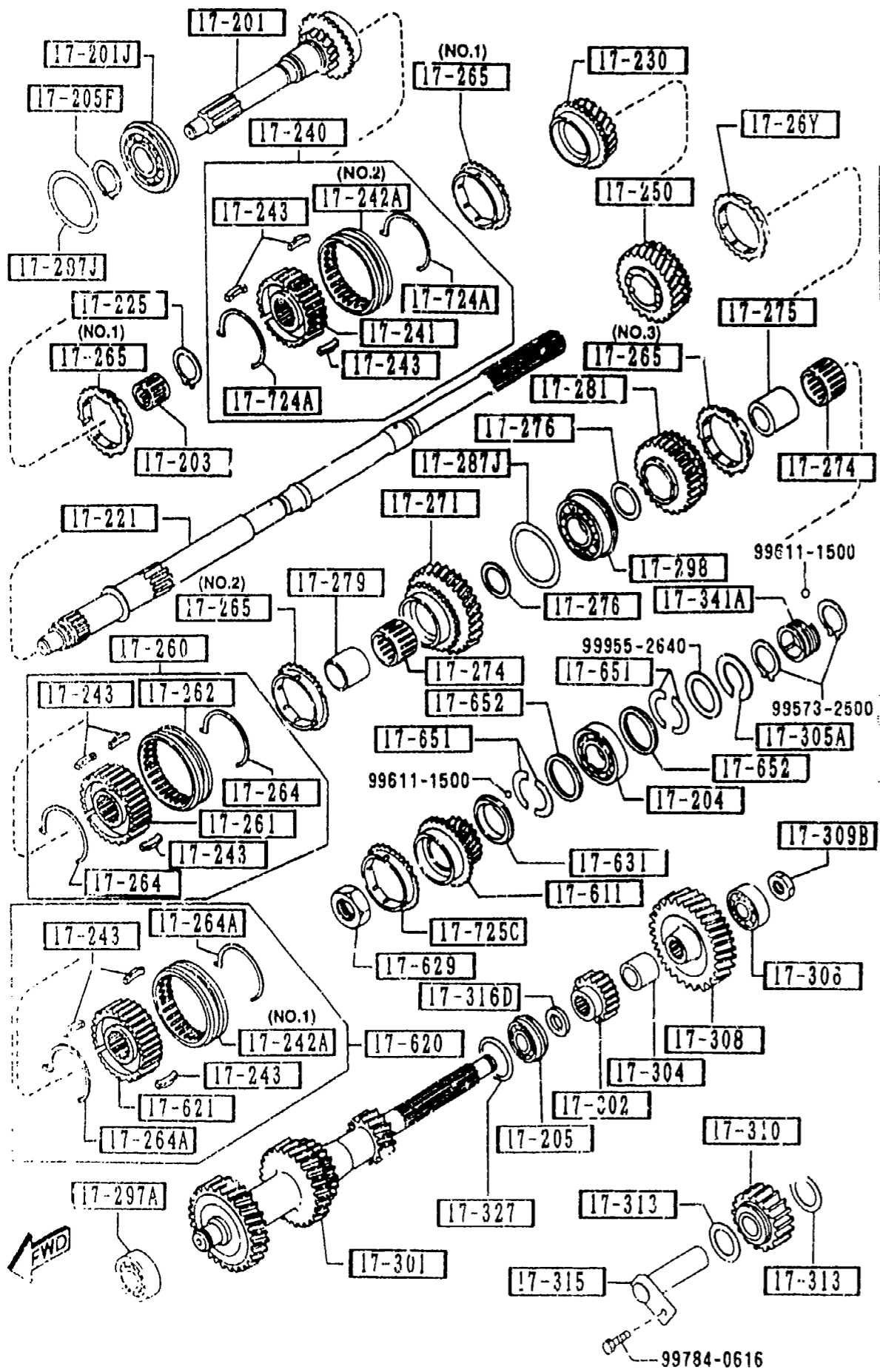


PART NO.	QTY	MODEL/RESTRICTION	MODEL/RESTRICTION	MODEL/RESTRICTION	FROM-TO
17-100		CASE, T/MISSION			
M526-17-100A	1				
17-103		BOLT			
M501-17-103	2				
17-122		PLUG, MAGNET			
0810-17-121	1				
17-325		COVER, BEARING			
M501-17-370A	1				
17-330		HOUSING, EXTENSION			
M519-17-330	1				
17-335		SEAL, OIL			
M507-17-335A	1				
17-441		GEAR, DRIVEN			
M510-17-441	1	N=22			
17-442		SLEEVE, SPEEDOMETER			
1669-17-442B	1				
17-442J		RING, 'O'			
1011-17-443	1				
17-442K		SEAL, OIL			
99586-08166	1				
17-530		BREATHER, AIR-T/MISSION			
0884-17-530	2	ON			
17-540		PASS, OIL			
M509-17-540	1				
17-543		RUBBER, SEAL			
M501-17-543A	1				



PART NO	QTY	MODEL/RESTRICTION	MODEL/RESTRICTION	MODEL/RESTRICTION	FROM-TO
CONT. F401-17-243A	9				
17-250		GEAR, 2ND			
M520-17-251A	1				
17-26Y		RING, SYNCHRONIZER			
R504-17-26Y	1				
17-260		HUB SET, CLUTCH-1ST & 2ND			
M517-17-260	1				
17-261		HUB, CLUTCH			
M511-17-261	1				
17-262		SLEEVE, CLUTCH HUB			
M505-17-262	1				
17-264		SPRING, SYNCHRO. KEY			
G401-17-264	2				
17-264A		SPRING, SYNCHRONIZER			
F401-17-264A	2				
17-265		RING, SYNCHRONIZER			
G501-17-265A	2 (ILLUST. NO.1)				
M502-17-265C	1 (ILLUST. NO.2)				
M504-17-265A	1 (ILLUST. NO.3)				
17-271		GEAR, 1ST			
M516-17-271A	1				
17-274		BEARING, NEEDLE			
4069-17-283A	2				
17-275		RACE, INNER			
4069-17-284E	1				
17-276		WASHER, THRUST			
0259-17-274A	2 T=3.0MM				
0259-17-276	2 T=2.2MM				

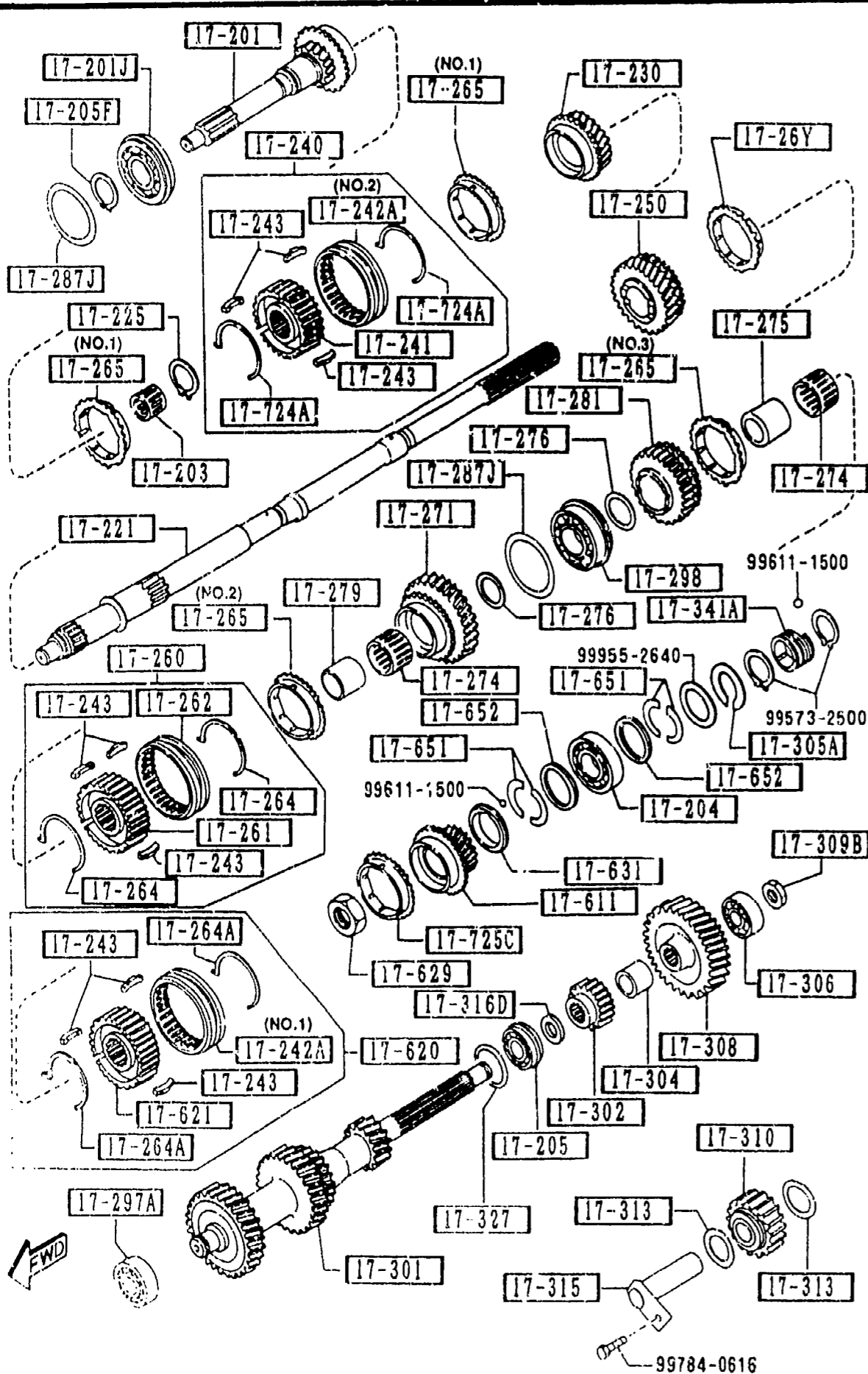




PART NO.	QTY	MODEL/RESTRICTION	MODEL/RESTRICTION	MODEL/RESTRICTION	FROM-TO
CONT'D	2				
0259-17-277	2	T=2.7MM			
0259-17-278	2	T=3.2MM			
0259-17-279	2	T=3.7MM			
17-279		SLEEVE, GEAR			
8540-17-275A	1				
17-281		GEAR, REVERSE			
M513-17-281	1				
17-287J		SHIM, ADJUST			
99963-6310	2	T=0.1MM			
99963-6315	1	T=0.15MM			
99963-6330	2	T=0.3MM			
17-297A		BEARING, BALL-COUNTER SHAFT G.			
M502-17-297A	1				
17-298		BEARING			
M502-17-298A	1				
17-301		GEAR, COUNTER SHAFT			
M528-17-301A	1				
17-302		GEAR, COUNTER REVERSE			
M516-17-302	1				
17-304		SPACER			
M504-17-304	1				
17-305A		RING, RETAINING-BALL BEARING			
0839-17-305B	1				
17-306		BEARING, BALL			
M502-17-299B	1				

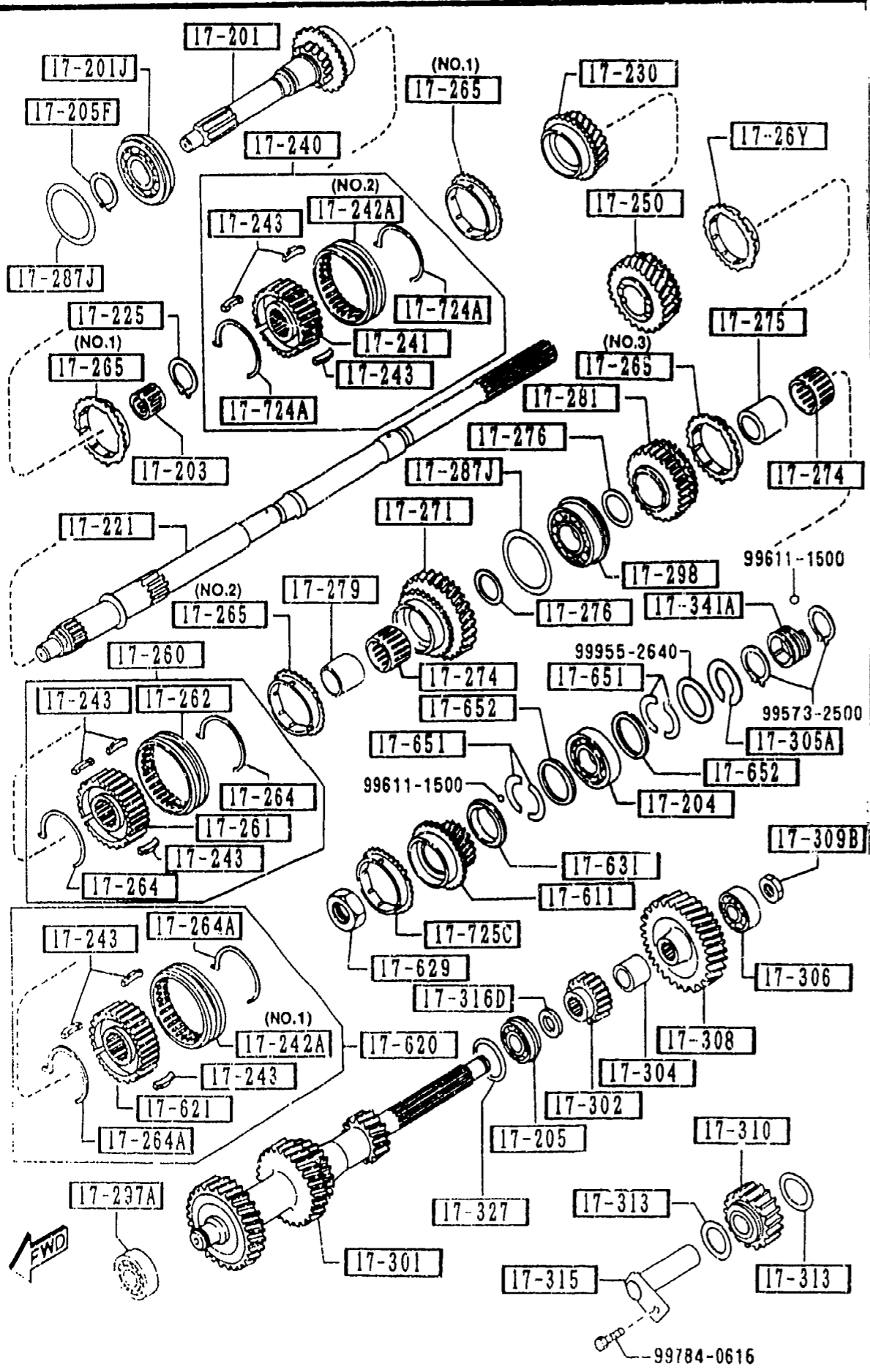
4C01 NA35* -609691

-4C01



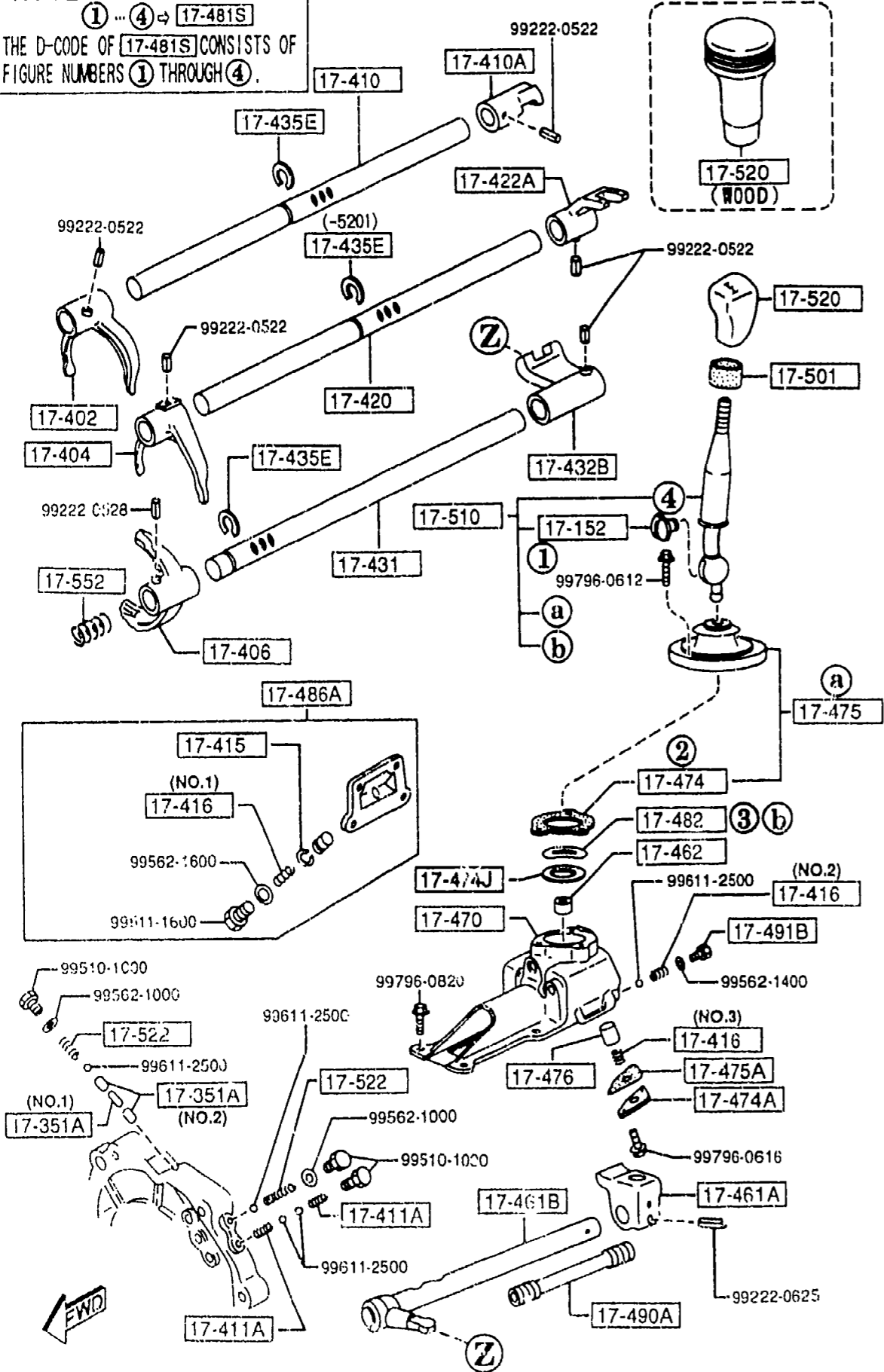
PART NO.	QTY	MODEL/RESTRICTION	MODEL/RESTRICTION	MODEL/RESTRICTION	FROM-TO
CONT'D P502-17-204	1				4C01-
17-308		GEAR,COUNTER			
M510-17-308	1				
17-309B		NUT,LOCK-COUNTER SHAFT BR			
M501-17-309	1				
17-310		GEAR,REVERSE IDLE			
M513-17-310	1				
17-313		WASHER,THRUST-REVERSE IDLE G. T=2.0MM			
M501-17-313	2				
17-315		SHAFT,REV. IDLE GEAR			
M501-17-140	1				
17-316D		SPACER			
R502-17-316	1				-5501
17-327		SHIM,ADJUST-COUNTER SHAFT GEAR T=0.1MM			
0305-17-327	2				
0305-17-328	1	T=0.3MM			
17-341A		GEAR,SPEEDO.DRIVE			
M503-17-341	1				
17-611		GEAR,OVER TOP			
M517-17-611	1				
17-620		HUB SET,CLUTCH-O.T. & REV			
M505-17-620	1				
17-621		HUB,CLUTCH			
M505-17-621	1				
17-629		NUT,LOCK-CLUTCH HUB			
8601-17-629	1				

4C01 NA35* -609691
5501 NA35* -620210



PART NO.	QTY	MODEL/RESTRICTION	MODEL/RESTRICTION	MODEL/RESTRICTION	FROM-TO
17-631	1	WASHER, THRUST LOCK-O VER TOP G. T=6.2MM			
0884-17-632B	1				
0884-17-633B	1	T=6.4MM			
0884-17-634B	1	T=6.5MM			
0884-17-635B	1	T=6.6MM			
17-651	4	WASHER, THRUST T=3.0MM			
M501-17-651	4				
M501-17-653	2	T=3.1MM			
M501-17-654	2	T=3.2MM			
M501-17-655	2	T=2.9MM			
17-652	2	RING, THRUST WASHER T=2.0MM			
M501-17-652	2				
17-724A	2	SPRING, SYNCHRO. KEY			
M501-17-724	2				
17-725C	1	RING, SYNCHRONIZER			
V501-17-725	1				

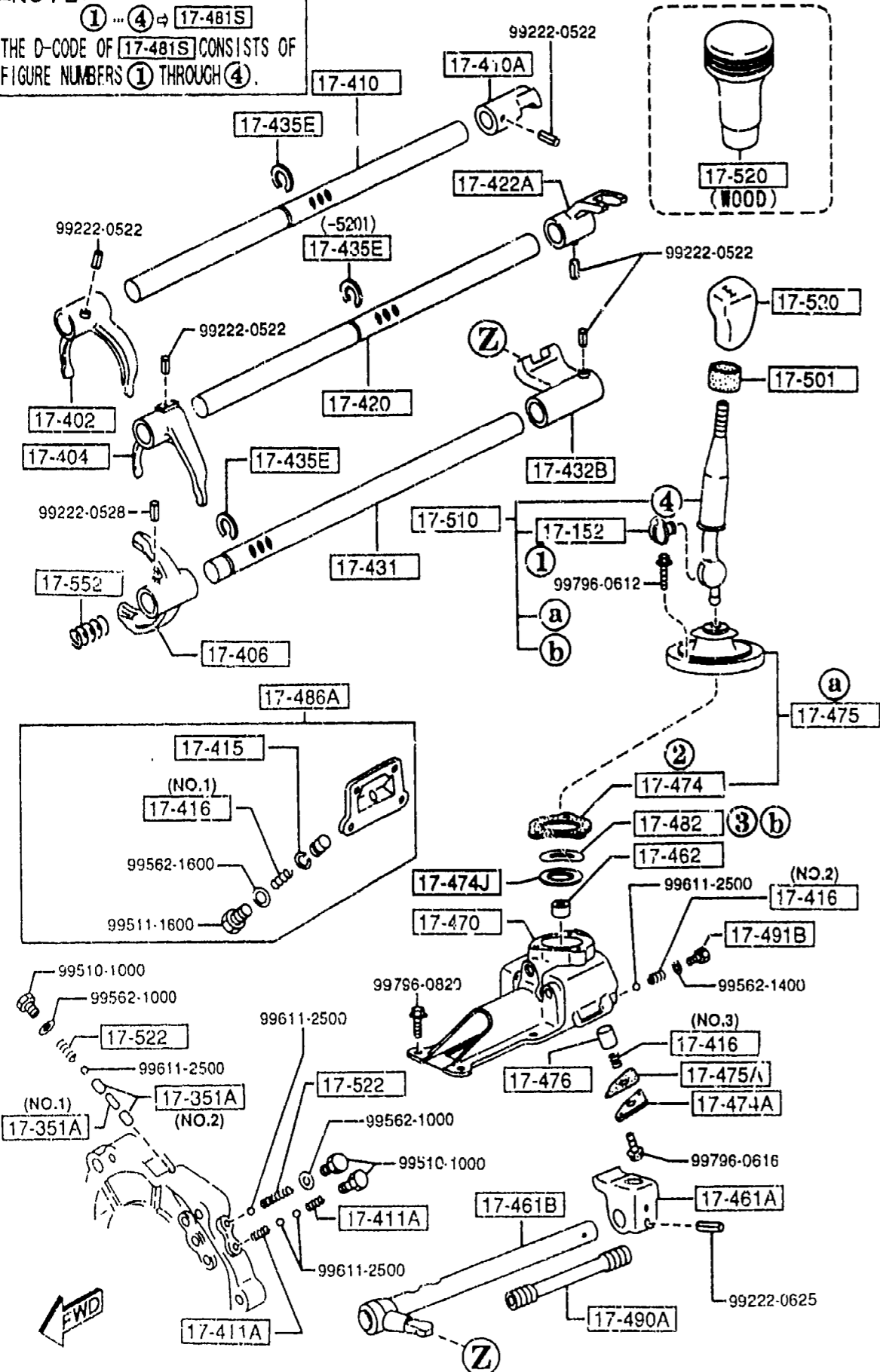
NOTE
 ① ... ④ → 17-481S
 THE D-CODE OF 17-481S CONSISTS OF
 FIGURE NUMBERS ① THROUGH ④.



PART NO.	QTY	MODEL/RESTRICTION	MODEL/RESTRICTION	MODEL/RESTRICTION	FROM-TO
17-152		BUSH			
M501-17-515	1				
17-351A		PIN, INTER LOCK			
R501-17-351	1	(ILLUST. NO.1)			
0114-17-351	2	(ILLUST. NO.2)			
17-402		FORK, SHIFT (1ST & 2ND)			
M503-17-402	1				
17-404		FORK, SHIFT (3RD & 4TH)			
M501-17-404B	1				
17-406		FORK, SHIFT			
M504-17-406A	1				
17-410		ROD, SHIFT (1ST&2ND)			
M503-17-411	1				
17-410A		END, S/ROD (1ST&2ND)			
M507-17-412	1				-5201
A (M507-17-412A)					
M507-17-412A	1				5201-
17-411A		SPRING, SHIFT ROD-REVERSE			
0014-17-411	2				
17-415		RING, RETAINING-SHIFT ROD END			
3648-17-415	1				
17-416		SPRING, SHIFT ROD END			
M501-17-416	1	(ILLUST. NO.1)			
M504-17-416	1	(ILLUST. NO.2)			
M505-17-416	1	(ILLUST. NO.3)			
17-420		ROD, SHIFT (3RD&4TH)			
M504-17-421	1				-5201
A (M504-17-421A)					
M504-17-421A	1				5201-
5201 NA35* -614193					



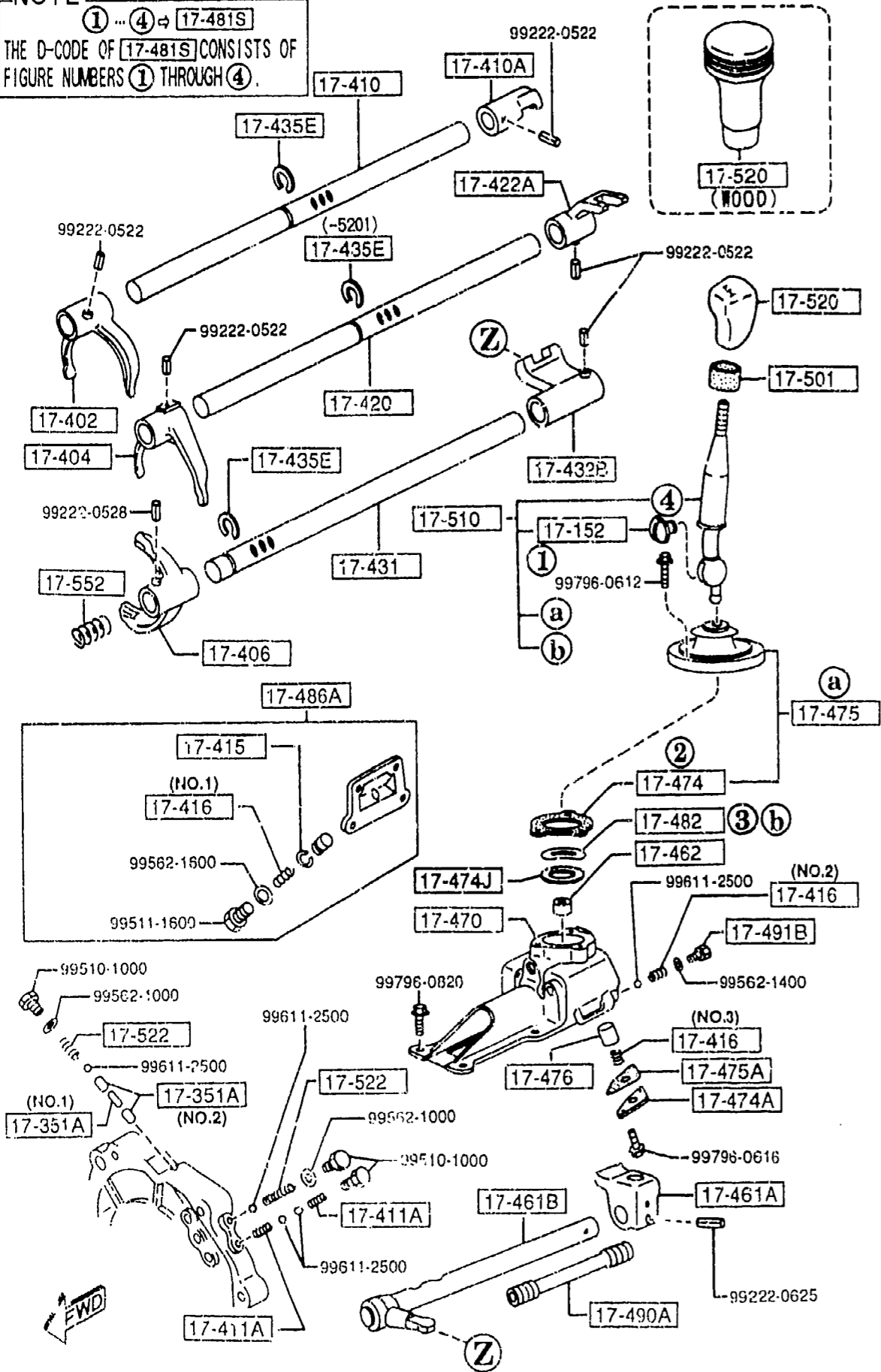
NOTE
 ① ... ④ → 17-481S
 THE D-CODE OF 17-481S CONSISTS OF
 FIGURE NUMBERS ① THROUGH ④.



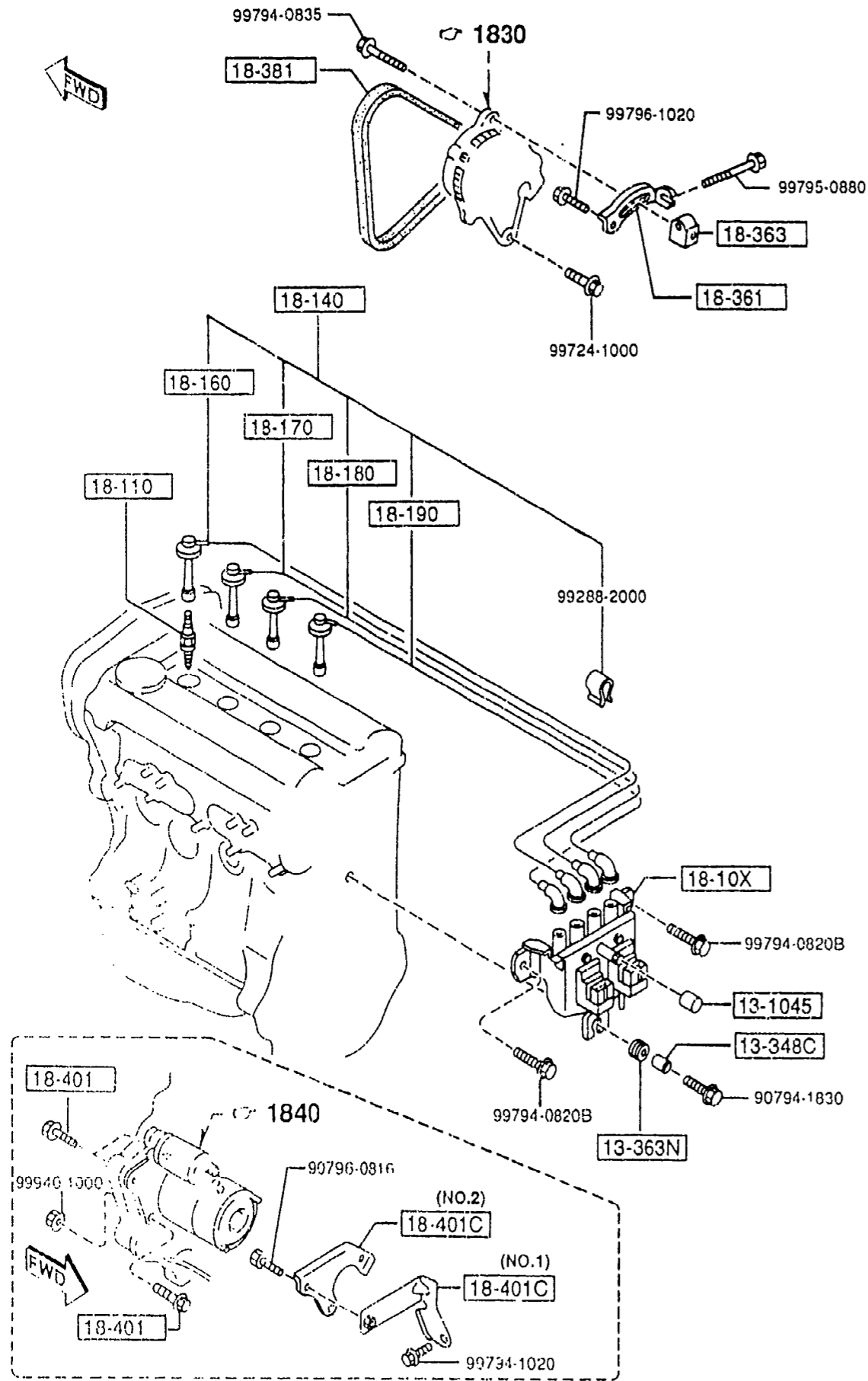
PART NO.	QTY	MODEL/RESTRICTION	MODEL/RESTRICTION	MODEL/RESTRICTION	PROM-70
17-422A		END, S/ROD(3RD&4TH)			-5201
M507-17-422A	1				5201-
M507-17-422A	1				
17-431		ROD, SHIFT-OVER TOP & REVERSE			
M506-17-431A	1				
17-432B		END, SHIFT ROD(O/TOP & REV.)			
M508-17-432	1				
17-435E		RING, RETAINING			
R502-17-435	3				-5201
R502-17-435	2				5201-
17-461A		END, CONTROL LEVER			
M508-17-461A	1				
17-461B		ROD, CONTRL			
M516-17-450A	1				
17-462		SHEET, SPRING			
0393-17-462A	1				
17-470		CASE, CHANGE CONTROL			
M510-17-470C	1				
17-474		GASKET, COVER PLATE			
0303-17-474	1				
17-474A		CAP, SPRING			
M501-17-474	1				
17-474J		SHIM, ADJUST			
99963-3330	1	T=0.3MM ('95 MODEL)			
17-475		BOOT, DUST-CHANGE LEVER			
M513-17-480A	1				
17-475A		GASKET, SPRING CAP			

5201 NA35* -614193

NOTE
 ① ... ④ → 17-481S
 THE D-CODE OF 17-481S CONSISTS OF
 FIGURE NUMBERS ① THROUGH ④.

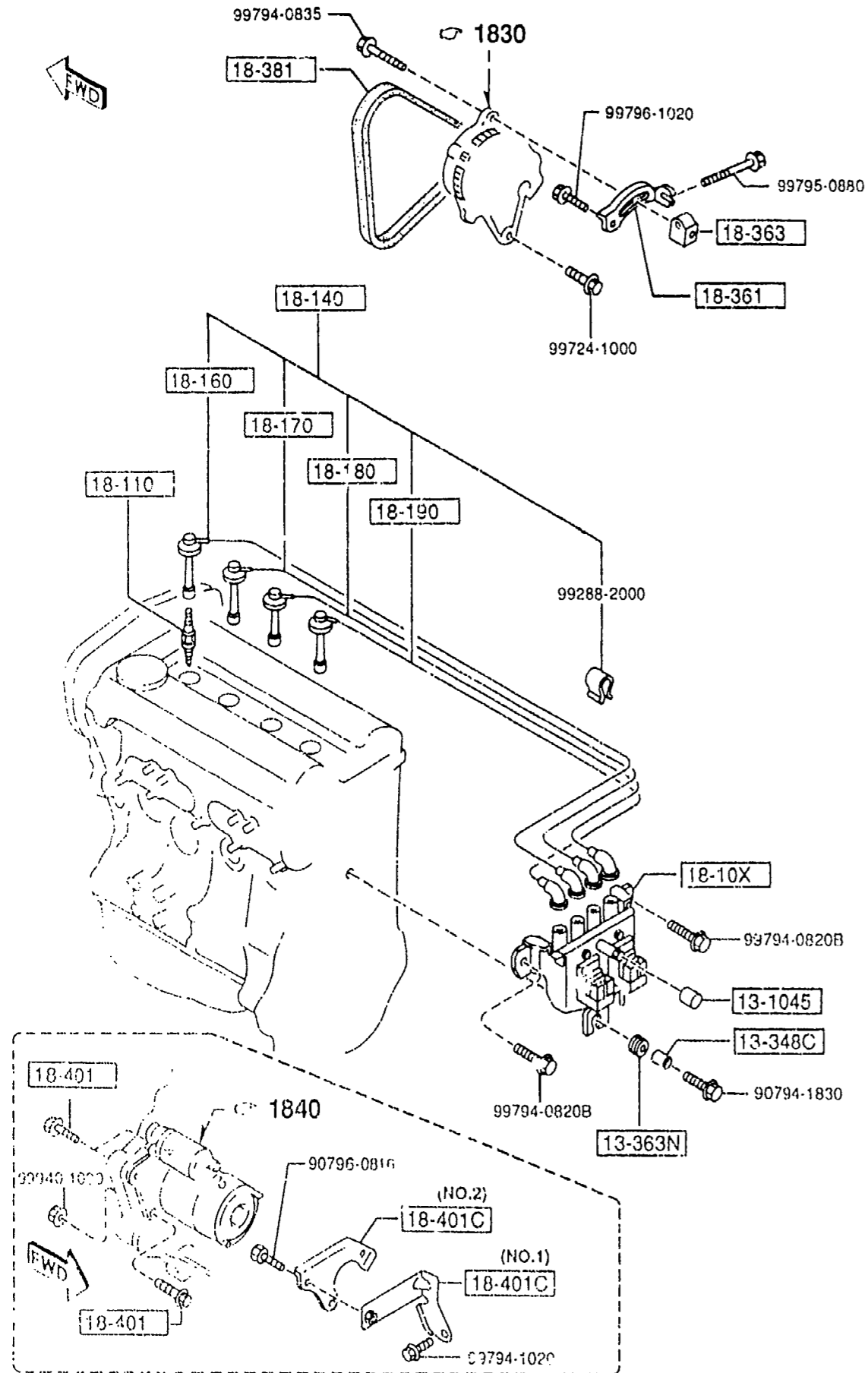


PART NO.	QTY	MODEL/RESTRICTION	MODEL/RESTRICTION	MODEL/RESTRICTION	FROM-TO
CONT'D					
M501-17-475	1				
17-476		SPINDLE, SELECT LOCK			
M502-17-476A	1				
17-481S		BUSH SET, CHANGE LEVER			
8AN1-17-481	1				
17-482		WASHER, WAVE-CHANGE CONTROL CASE			
M505-17-482	1				
17-486A		COVER, BLIND			
R501-17-47X	1				
17-490A		COVER, ROD			
M504-17-490A	1				
17-491B		CAP, SPRING			
0183-17-491	1				
17-501		INSULATOR, CHG LEVER			
M501-17-501	1				
17-510		LEVER, CHANGE			
M524-17-510C	1				
17-520		KNOB, CHANGE LEVER			
M515-17-520	1	(URETHANE)			
00	INT-	NA3 NA4 NA5 NA6 NA7 NA8 BLACK			
M517-17-520	1	(WOOD)			
M518-17-520A	1	(LEATHER)			
17-522		SPRING			
0103-17-411	2				
17-552		SPRING			
M505-17-552	1				



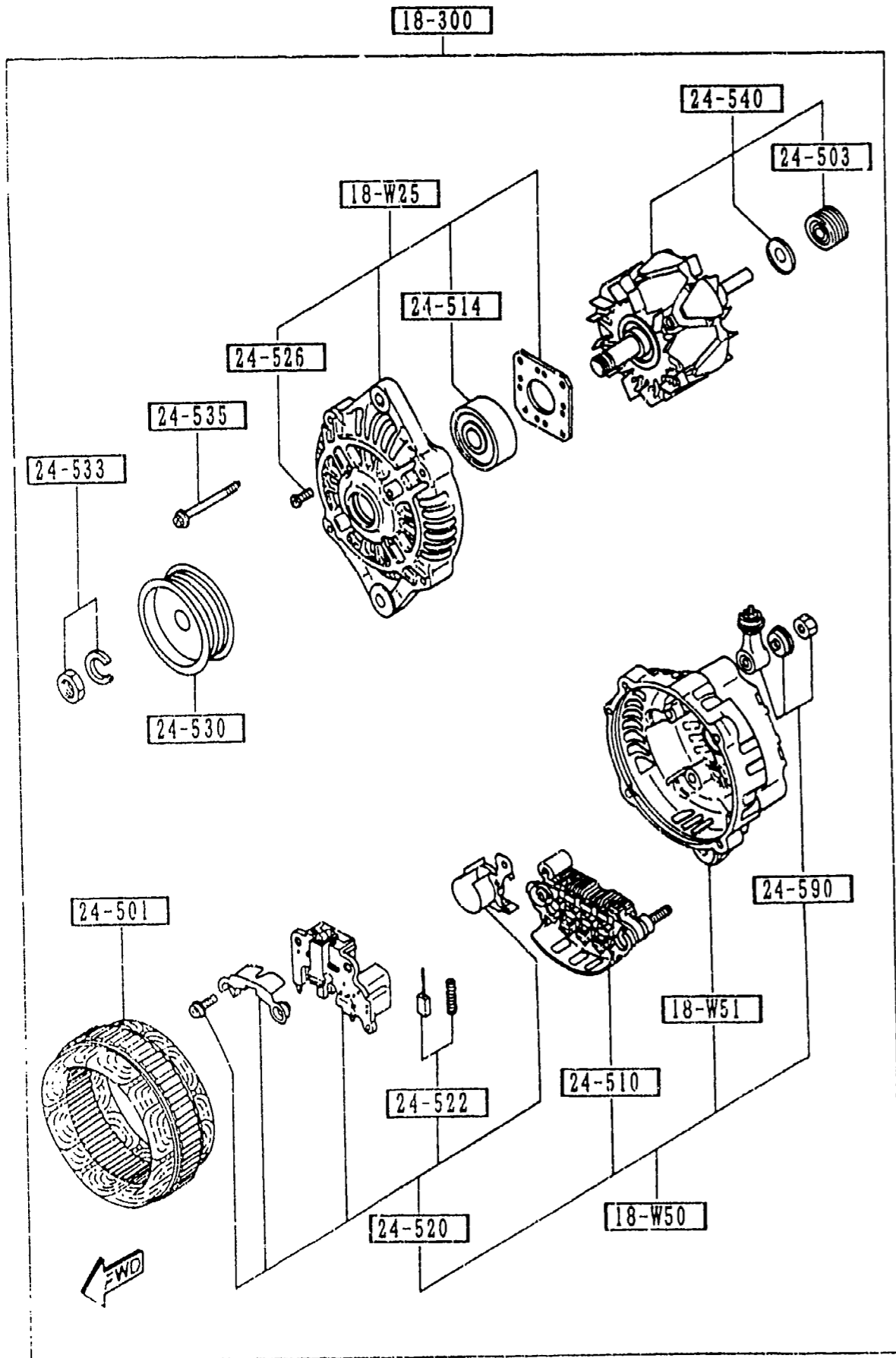
PART NO.	QTY	MODEL/RESTRICTION	MODEL/RESTRICTION	MODEL/RESTRICTION	FROM-TO
JE08-13-104	1	13-1045 CAP, BL'ND			-5403
B61P-13-348	1	13-348C SPACER			
B61P-13-363A	1	13-363N RUBBER, MOUNTING			
BPE8-18-10XA	1	18-10X COIL & IGNITER			-5403
BPE8-18-10XB	1				5403-
BP01-18-110	4	18-110 PLUG, SPARK BKR5E-11 NGK (STD.)			
BP02-18-110	4	K16PR-U11 ND (STD.)			
BP03-18-110	4	BKR6E-11 NGK (OPTION COLD TYPE)			
BP04-18-110	4	K20PR-U11 ND (OPTION COLD TYPE)			
BPE8-18-140A	1	18-140 CORD SET, HI. TENSION			
BPE8-18-T51	1	18-160 CORD NO. 1, HI. TENSION			
BPE8-18-T52	1	18-170 CORD NO. 2, HI. TENSION			
BPE8-18-T53	1	18-180 CORD NO. 3, HI. TENSION			
BPE8-18-T54A	1	18-190 CORD NO. 4, HI. TENSION			
B6BF-18-361C	1	18-361 STRAP, ALTERNATOR			

5403 NA35* -619601

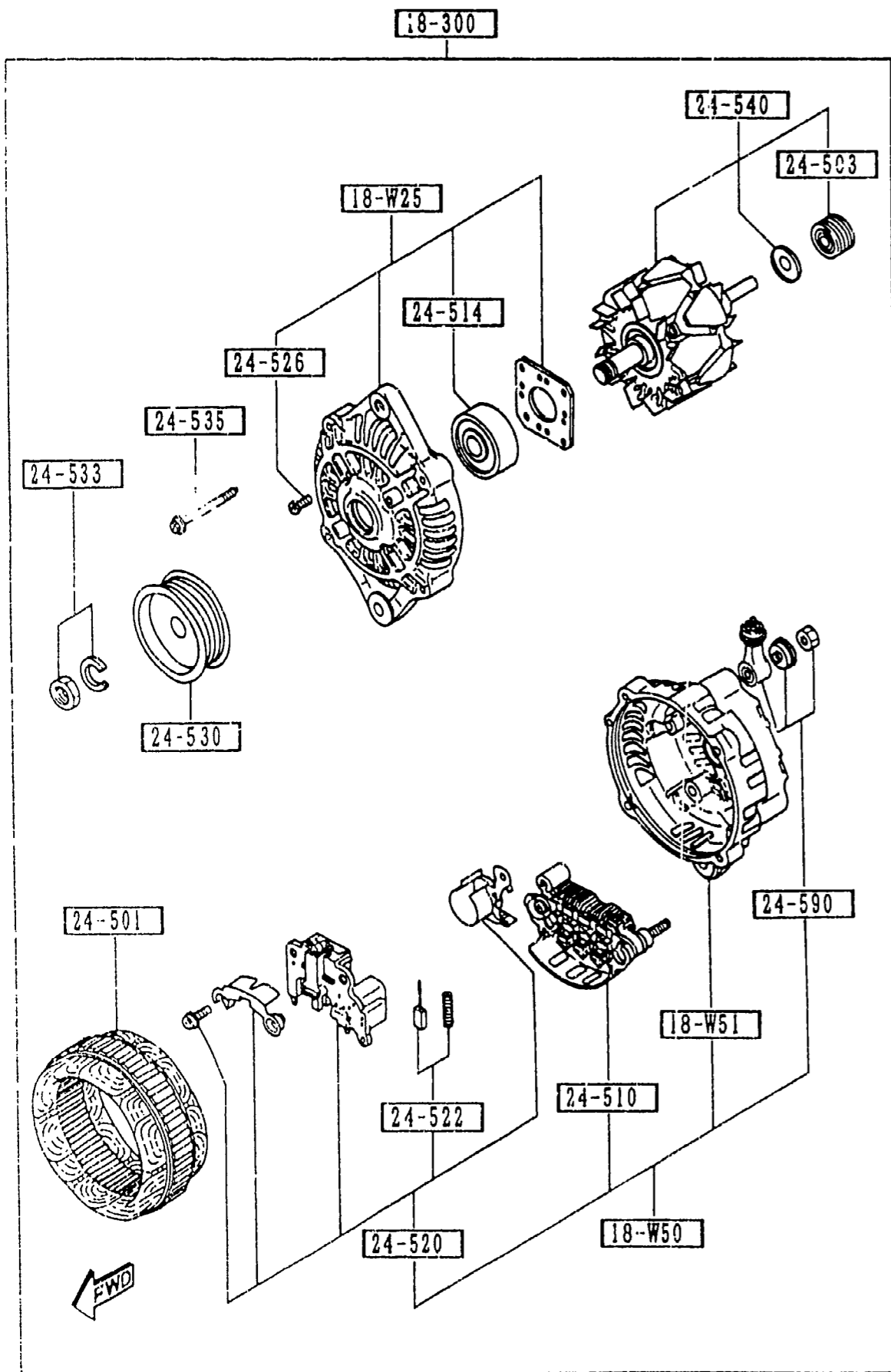


PART NO.	QTY	MODEL/RESTRICTION	MODEL/RESTRICTION	MODEL/RESTRICTION	FROM-TO
18-363		SPACER, STRAP			
FP01-18-363	1				
18-381		BELT 'V'			
B596-18-381	1	4PK L=885 GOOD YEAR			
B6BF-18-381	1	4PK L=885 BANDO			
18-401		BOLT, STARTER			
B6BG-18-401	3				-5C01
A (B6BG-18-401A)					
*B6BG-18-401A	3				5C01-
18-401C		BRACKET, STARTER			
BPE8-18-410	1	(ILLUST. NO.1) (MT)			
B650-18-411C	1	(ILLUST. NO.2) (MT)			

5C01 NA3** -706448

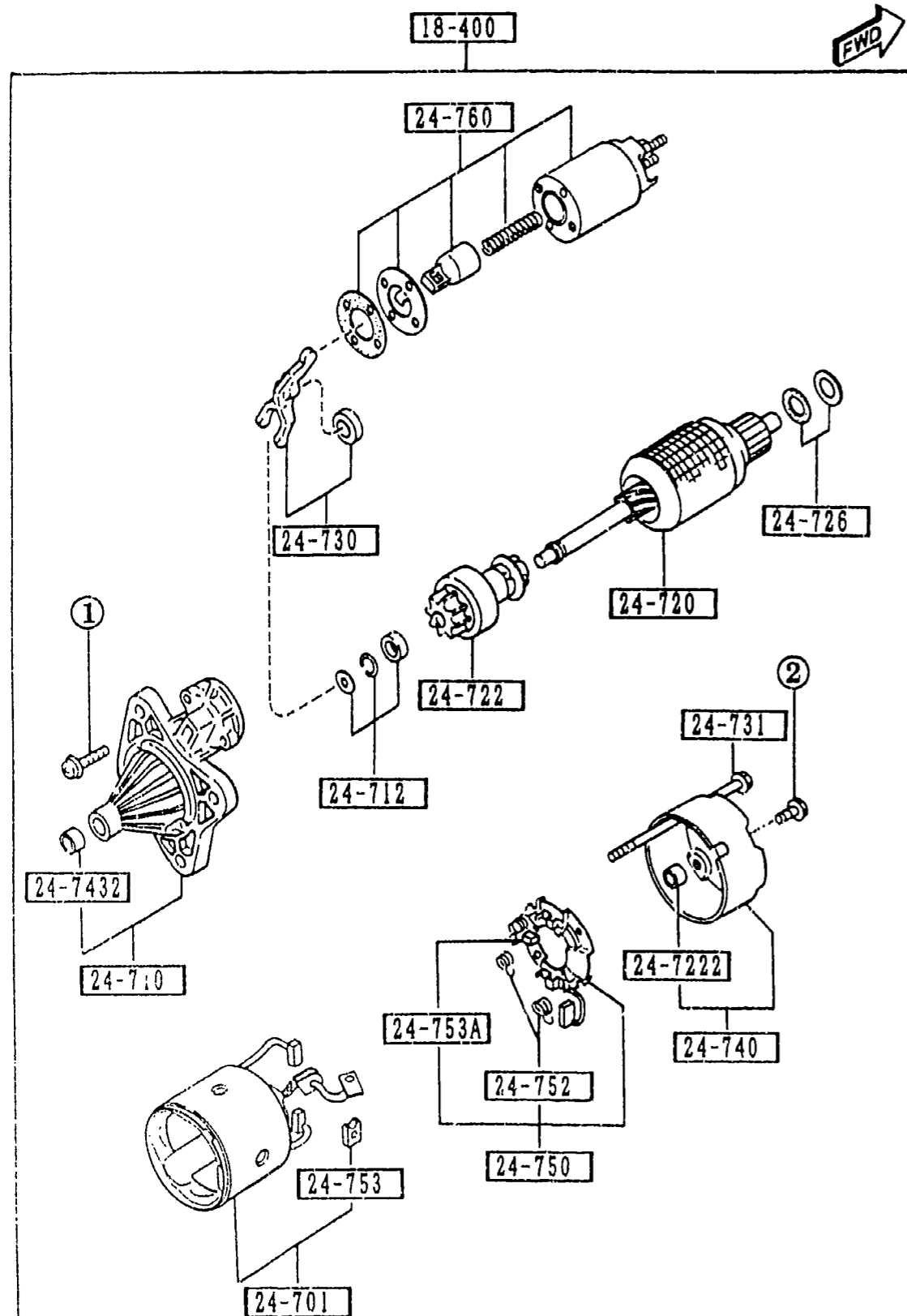


PART NO.	QTY	MODEL/RESTRICTION	MODEL/RESTRICTION	MODEL/RESTRICTION	FROM-TO
18-W25		COVER,FRONT-ALTERNATOR			
FS05-18-W25	1				
18-W50		COVER,REAR-ALTERNATOR			
BPE8-18-W50	1				
18-W51		COVER,REAR-ALTERNATOR (G)			
FS05-18-W51	1				
18-300		ALTERNATOR			
BPE8-18-300	1 (MT)				
BPE9-18-300	1 (AT)				
24-501		STATOR			
JE15-18-W45	1				
24-503		BEARING,BALL-ALT. REAR			
N336-18-W36	1				
24-510		RECTIFIER			
BPE8-18-W60	1				
24-514		BEARING,BALL-ALT. FRONT			
PN16-18-W27	1				
24-520		REGULATOR,VOLTAGE			
B64J-18-W70A	1				
24-522		BRUSH			
B3C7-18-W77	2				
24-526		SCREW SET			
RF71-18-W26	1				
24-530		PULLEY			
B3C7-18-W10	1				
24-533		NUT SET			
B3C7-18-W05	1				



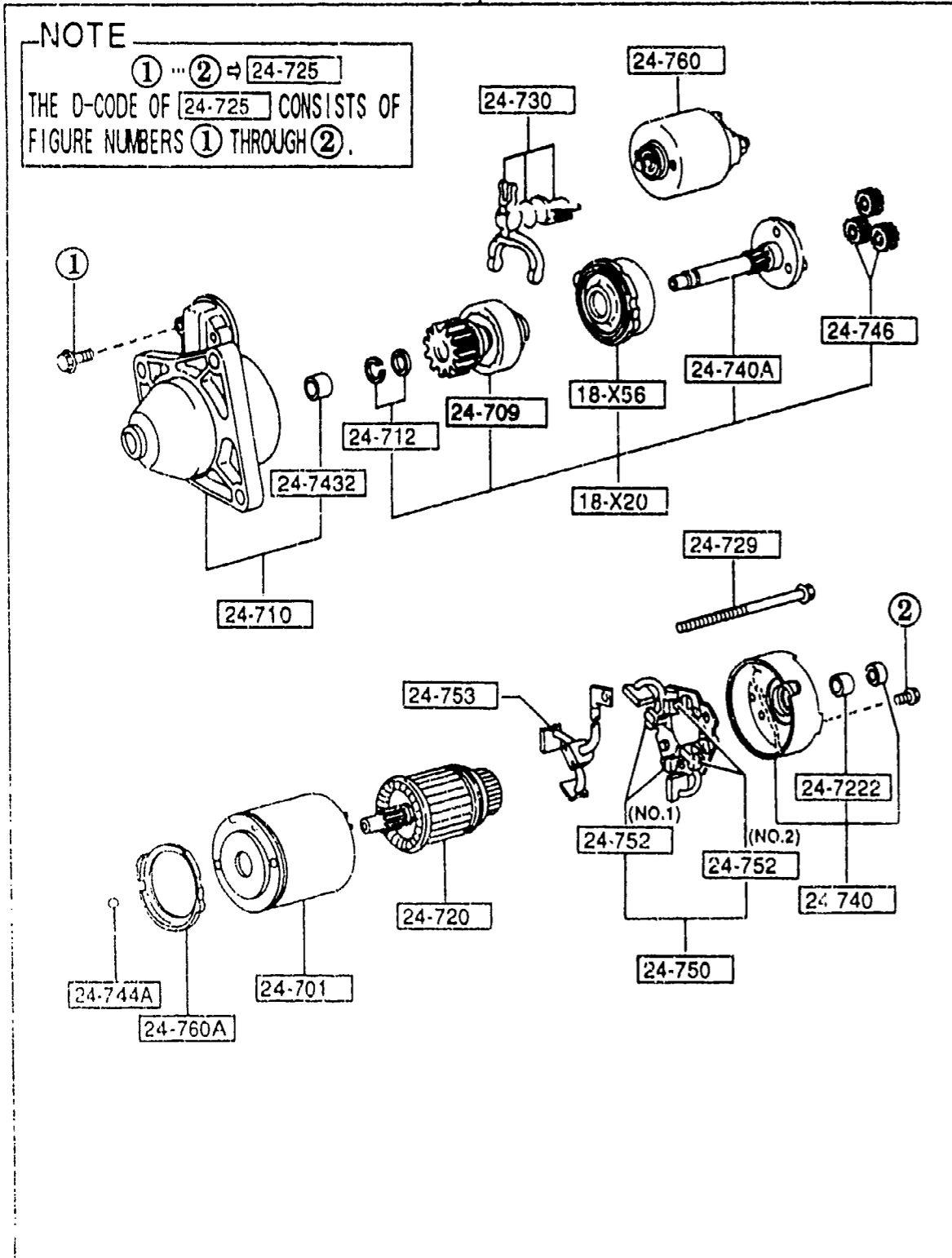
PART NO.	QTY	MODEL/RESTRICTION	MODEL/RESTRICTION	MODEL/RESTRICTION	FROM-TO
24-535		SCREW SET			
RF71-18-W20	1				
24-540		ROTOR			
B366-18-W35D	1 (MT)				
BPD3-18-W35	1 (AT)				-4912
F285-18-W35A	1 (AT)				4912-
24-590		TERMINAL SET			
BPD3-18-W80	1				

4912 NA35* -602970



NOTE
 ① ... ② ⇒ 24-725
 THE D-CODE OF 24-725 CONSISTS OF
 FIGURE NUMBERS ① THROUGH ②.

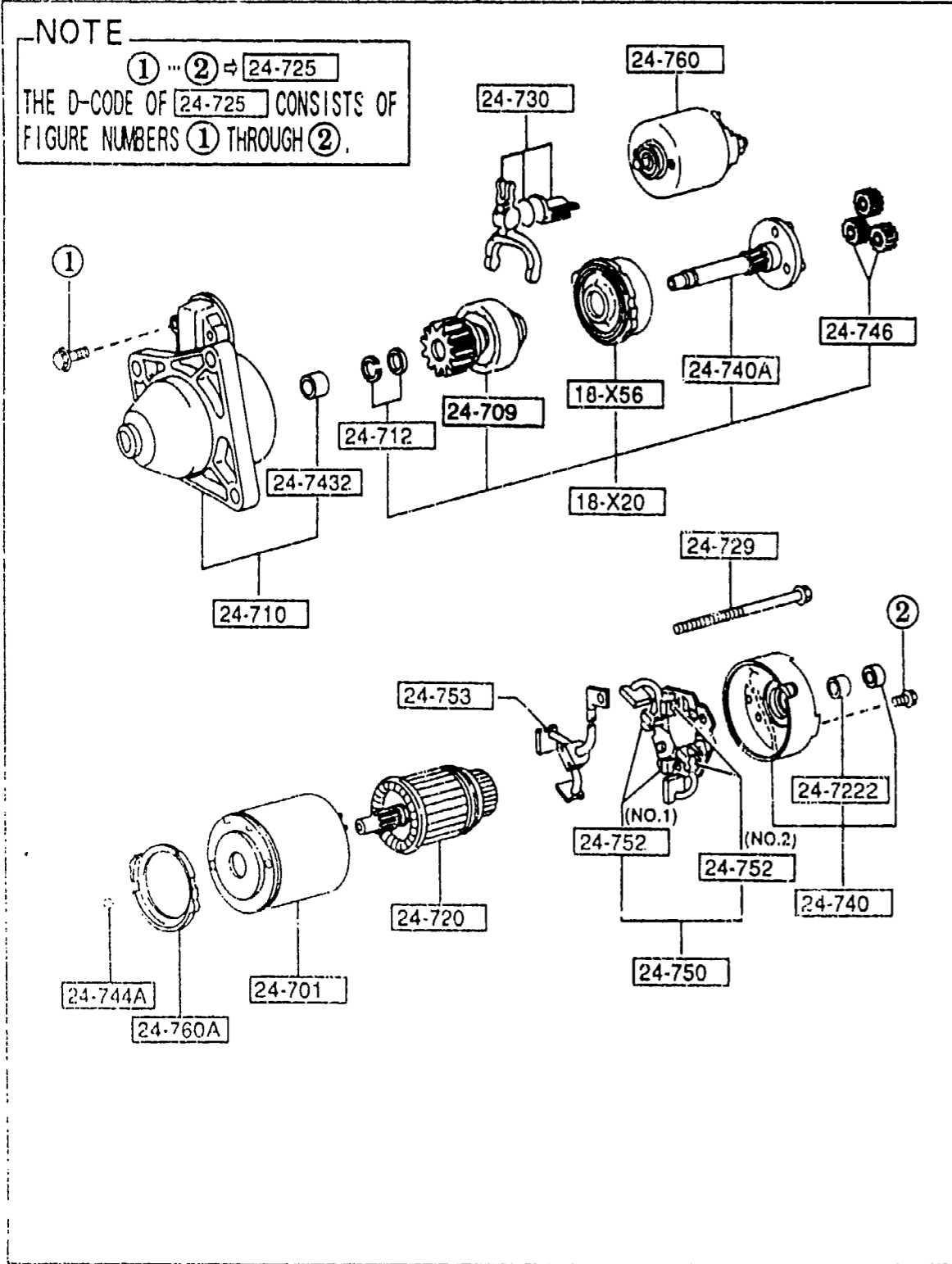
PART NO.	QTY	MODEL/RESTRICTION	MODEL/RESTRICTION	MODEL/RESTRICTION	FROM-TO
18-400		STARTER			
B61R-18-400A	1	NON ASBESTOS			
24-701		YOKE			
B61R-18-X65	1				
24-710		BRACKET, FRONT			
B61R-18-X00	1				
24-712		STOPPER SET			
E356-18-X30	1				
24-720		ARMATURE			
B658-18-X60	1	NON ASBESTOS			
24-722		CLUTCH, OVER RUNNING			
B630-18-X45	1				
24-7222		SLEEVE, BEARING-REAR			
E356-18-X81	1				
24-725		SCREW SET			
E356-18-X95	1	MITSUBISHI			
24-726		WASHER SET			
E356-18-X92	1				
24-730		LEVER			
E356-18-X05	1				
24-731		BOLT SET			
B630-18-X90	2				
24-740		BRACKET, REAR			
E356-18-X80	1				
24-7432		SLEEVE, BEARING-FRONT			
F210-18-X01	1				



PART NO.	QTY	MODEL/RESTRICTION	MODEL/RESTRICTION	MODEL/RESTRICTION	FROM-TO
18-X20		SHAFT, PINION			
AM15-18-X20	1				
18-X56		GEAR, INTERNAL-STARTER			
F225-18-X56	1				
18-400		STARTER			
BPE9-18-400	1				
24-701		YOKE			
JF01-18-X65	1				
24-709		PINION			
*AM15-18-X25	1				
24-710		BRACKET, FRONT			
BPE9-18-X00	1				
24-712		STOPPER SET			
N326-18-X30	1	MITSUBISHI			
24-720		ARMATURE			
F214-18-X60A AN(AM15-18-X60)	1	NON ASBESTOS			
AM15-18-X60	1				
24-7222		SLEEVE, BEARING-REAR			
N326-18-X62A	1	MITSUBISHI			
24-725		SCREW SET			
E356-18-X95	1	MITSUBISHI			
24-729		BOLT			
N326-18-X91	2				
24-730		LEVER			
N326-18-X05	1				
24-740		BRACKET, REAR			

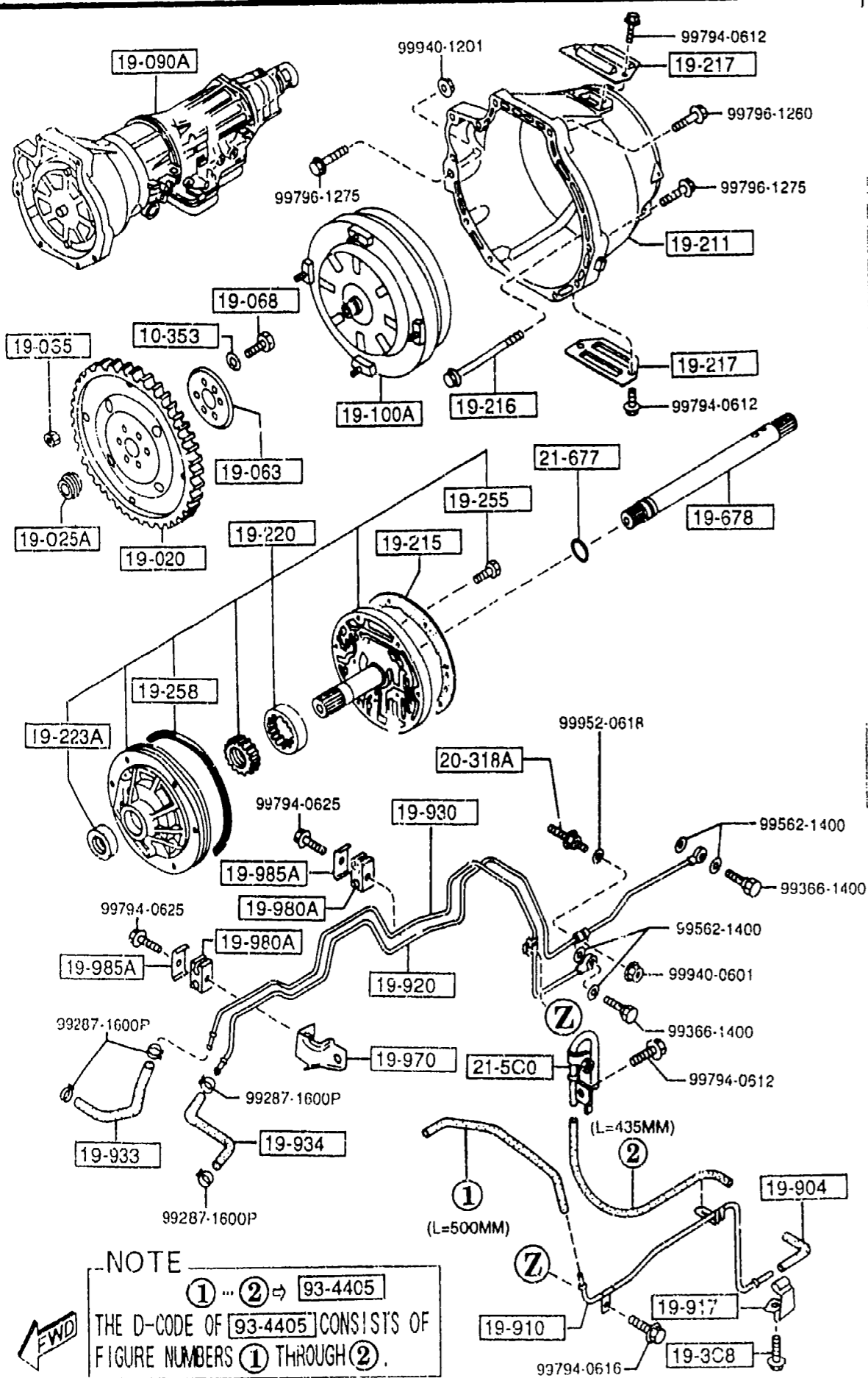
5C01 NA3** -706448

-5C01
5C01-

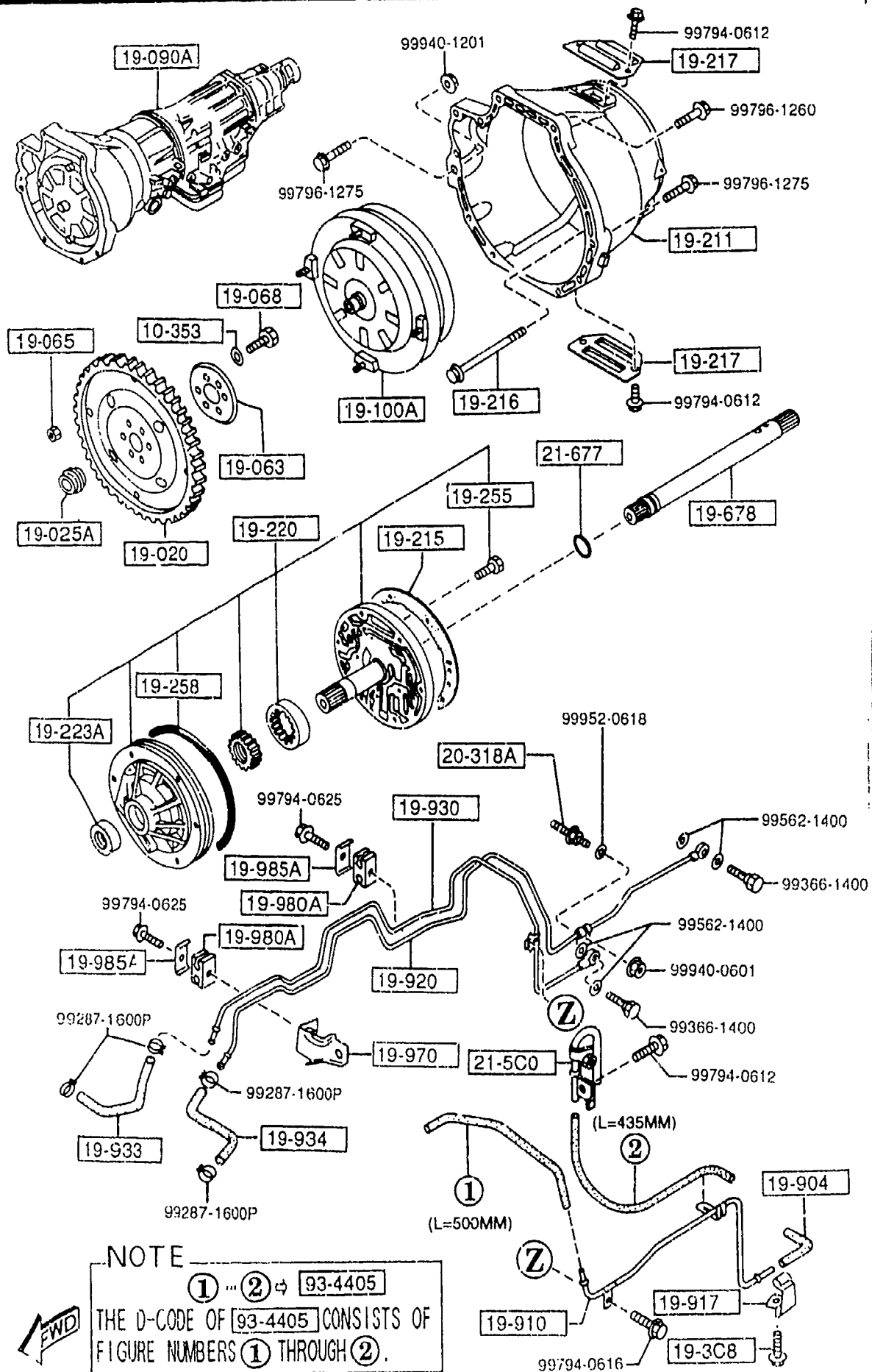


PART NO.	QTY	MODEL/RESTRICTION	MODEL/RESTRICTION	MODEL/RESTRICTION	FROM-TO
CONT'D JF01-18-X80A	1				
+-----+ 24-740A +-----+		SHAFT			
F214-18-X40	1				
+-----+ 24-7432 +-----+		SLEEVE, BEARING-FRONT			
E356-18-X01	1	MITSUBISHI			
+-----+ 24-744A +-----+		BALL, STEEL			
N326-18-X93	1	MITSUBISHI			
+-----+ 24-746 +-----+		GEAR			
N326-18-X57	3	MITSUBISHI			
+-----+ 24-750 +-----+		HOLDER, BRUSH			
F214-18-X70	1				-6301
*F2D4-18-X70	1				6301-
+-----+ 24-752 +-----+		SPRING, BRUSH			
N318-18-X71	2 (ILLUST. NO.1)				
N326-18-X71	2 (ILLUST. NO.2)				
+-----+ 24-753 +-----+		BRUSH, YOKE			
F214-18-X66	1				-6301
*F2D4-18-X66	2				6301-
+-----+ 24-760 +-----+		SWITCH			
E356-18-X10	1				-5C01
BPD4-18-X10	1				5C01-
+-----+ 24-760A +-----+		GASKET			
N326-18-X87	1				

5C01 NA3** -706448
 6301 NA3** -714662



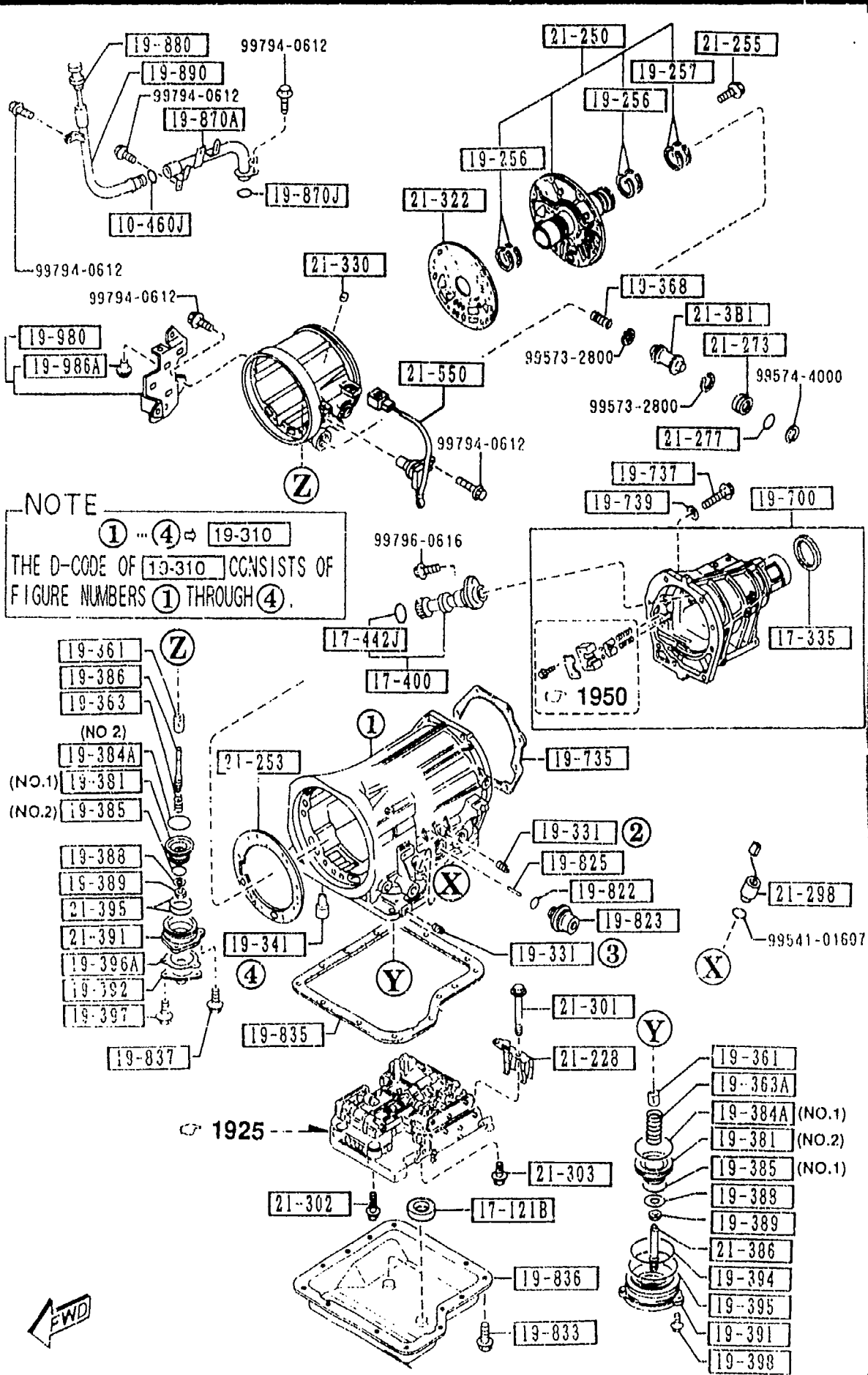
PART NO.	QTY	MODEL/RESTRICTION	MODEL/RESTRICTION	MODEL/RESTRICTION	FROM-TO
10-353		WASHER, PLAIN			
0290-10-353	6				
19-020		PLATE, DRIVE			
BU55-19-020	1				
19-025A		ADAPTER, DRIVE PLATE			
FU60-19-025	1				
19-063		PLATE, BACKING			
FT31-19-063	1				
19-065		NUT			
FU51-19-065	4				
19-068		BOLT, LOCK			
FT31-19-064	6				
19-090A		T/MISSION CPT.			
N451-19-090C	1				
19-100A		CONVERTER, TORQUE			
BU55-19-100	1				
19-211		HOUSING, CONVERTER			
BU55-19-211	1				
19-215		GASKET, OIL PUMP NON ASBESTOS			
BU46-19-215	1				
19-216		BOLT			
BU01-19-216	6				
19-217		COVER, BLIND			
BU55-19-217	2				
19-220		PUMP, OIL			
N451-19-220	1				
19-223A		SEAL, OIL			



PART NO.	QTY	MODEL/RESTRICTION	MODEL/RESTRICTION	MODEL/RESTRICTION	FROM-TO
19-985A		CLIP, OIL PIPE			
BU29-19-985	2				
20-318A		BOLT			
BU27-19-838	1				
21-5C0		BREATHER			
N451-21-5C0	1				
21-677		RING, 'O'			
BU01-21-677	1				
93-4405		HOSE			
99344-05150	1	L=15M CUT IT TO USE			

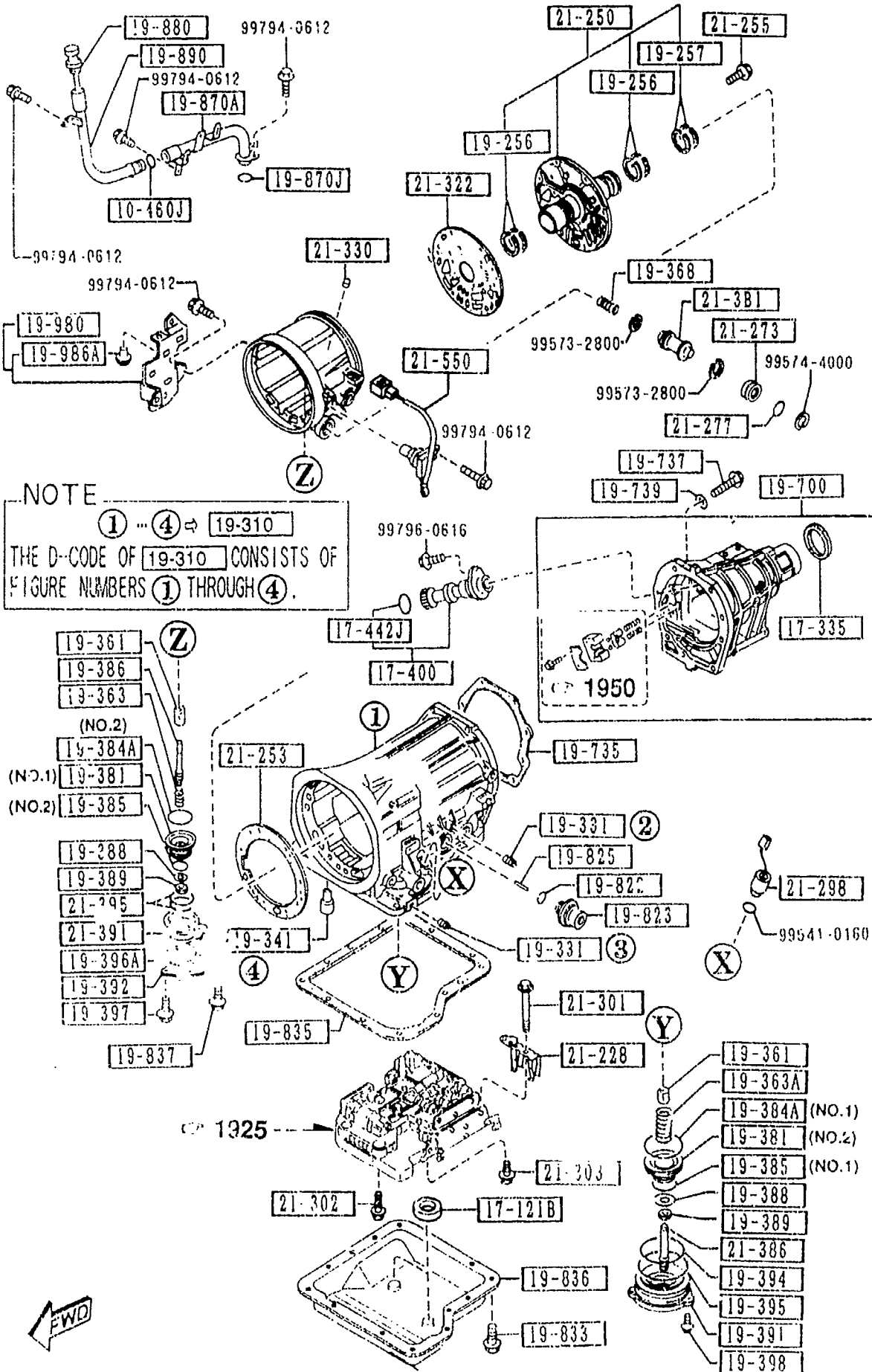
NOTE

① ... ② ⇄ 93-4405
 THE D-CODE OF 93-4405 CONSISTS OF
 FIGURE NUMBERS ① THROUGH ②.



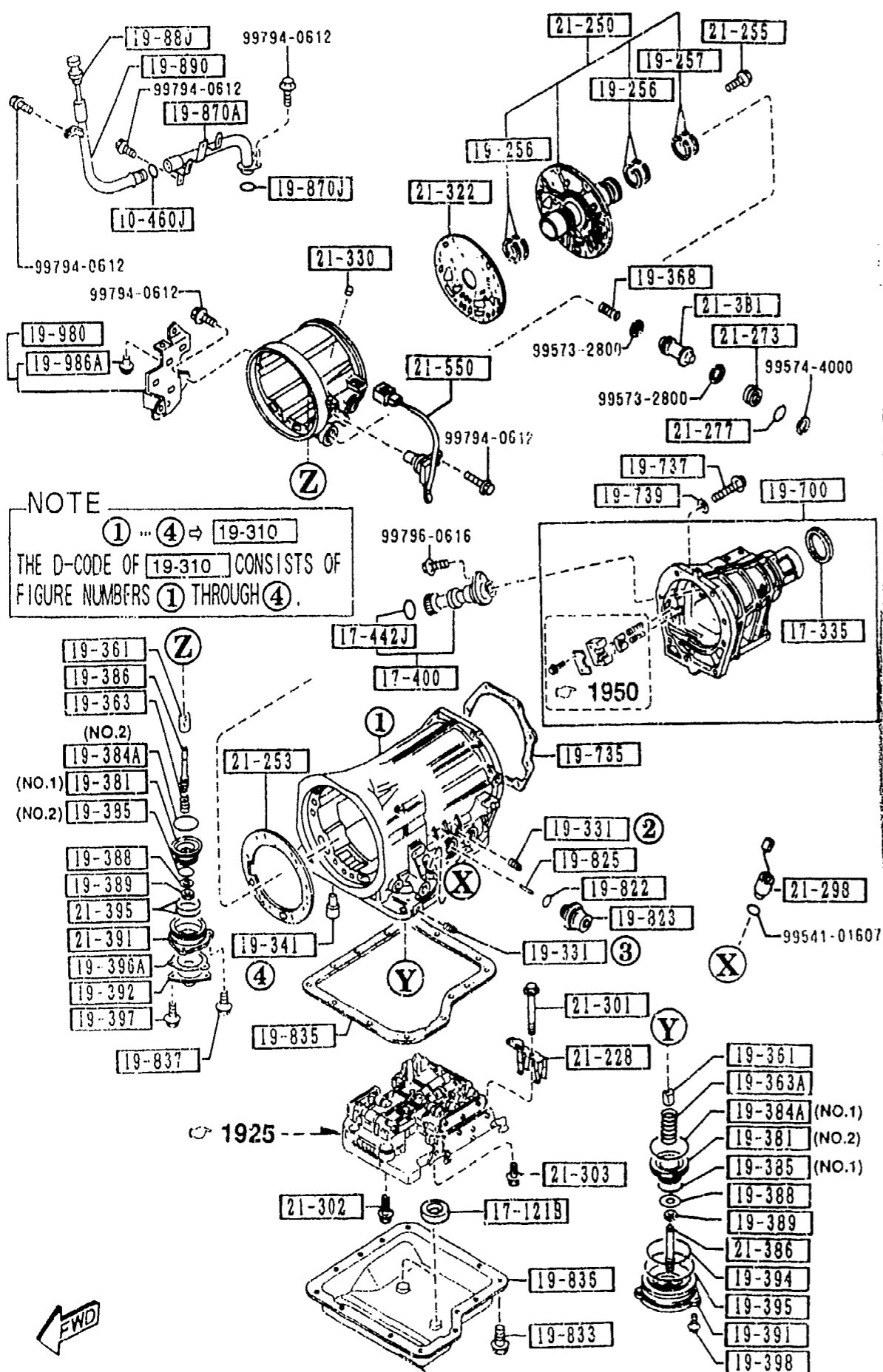
NOTE
 ① ... ④ → 19-310
 THE D-CODE OF 19-310 CONSISTS OF
 FIGURE NUMBERS ① THROUGH ④.

PART NO.	QTY	MODEL/RESTRICTION	MODEL/RESTRICTION	MODEL/RESTRICTION	FROM-TO
10-460J		RING, 'O'			
99541-01201	1				
17-121B		MAGNET			
F401-17-121	2				
17-335		SEAL, OIL			
M507-17-335A	1				
17-400		GEAR SET, DRIVEN-SPEED			
N451-17-400	1				
17-442J		RING, 'O'			
1011-17-443	1				
19-256		RING, SEAL			
BU01-19-256	4				
19-257		RING, SEAL			
BU01-19-257	2				
19-310		CASE, T/MISSION			
N451-19-310	1				
19-331		PLUG, SQUARE HEAD			
0358-19-331A	2				
19-341		BOLT, ANCHOR END			
0338-19-341	1				
19-361		STRUT, BAND			
0338-19-361B	2				
19-363		SPRING, PISTON RETURN			
FT40-19-363	1				
19-363A		SPRING, PISTON RETURN			
BU10-19-363	1				
19-368		SPRING, CUSHION-PISTN. STEM			
BU20-19-368	1				

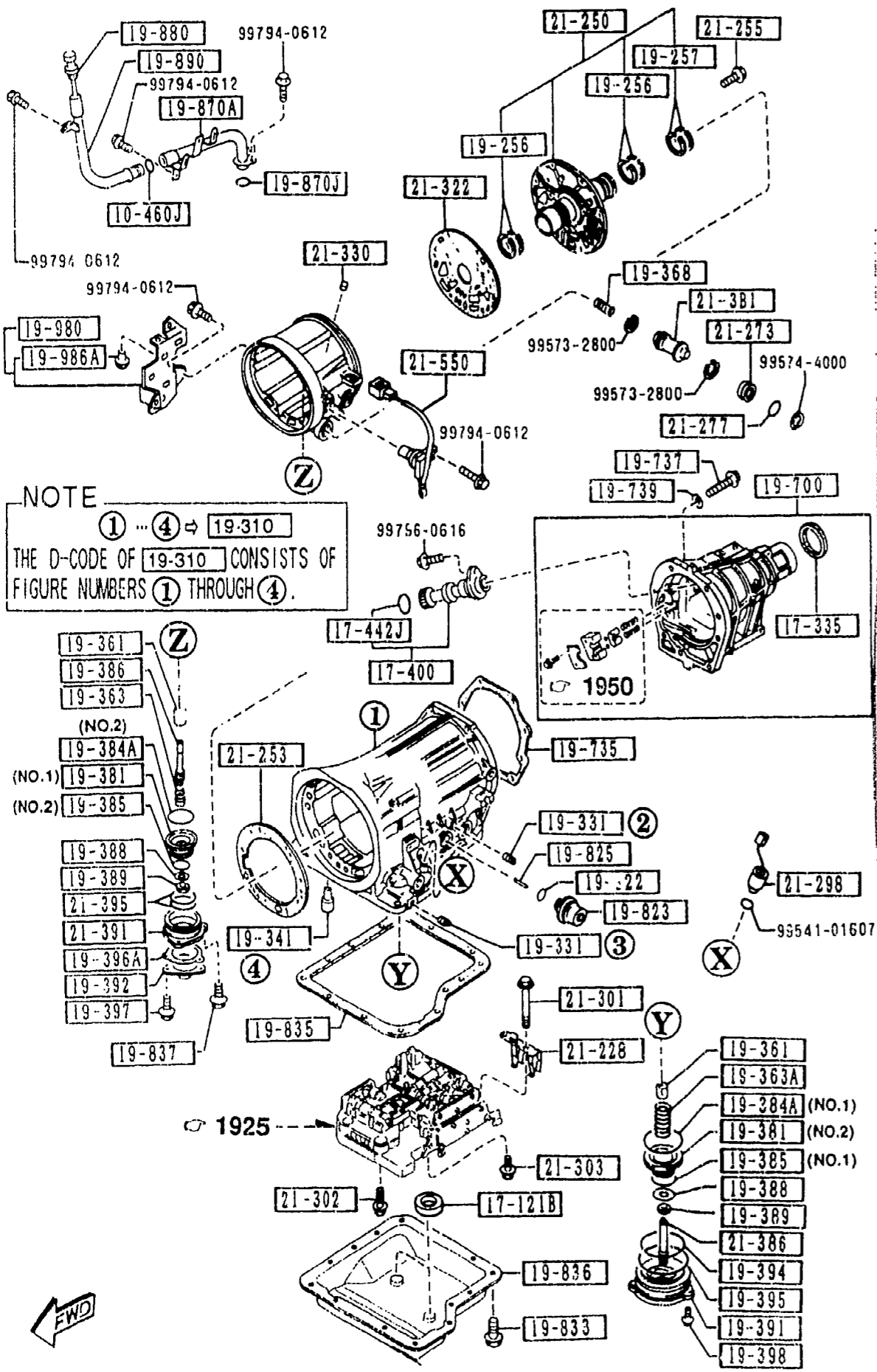


NOTE
 ① ... ④ ⇔ 19-310
 THE D-CODE OF 19-310 CONSISTS OF
 FIGURE NUMBERS ① THROUGH ④.

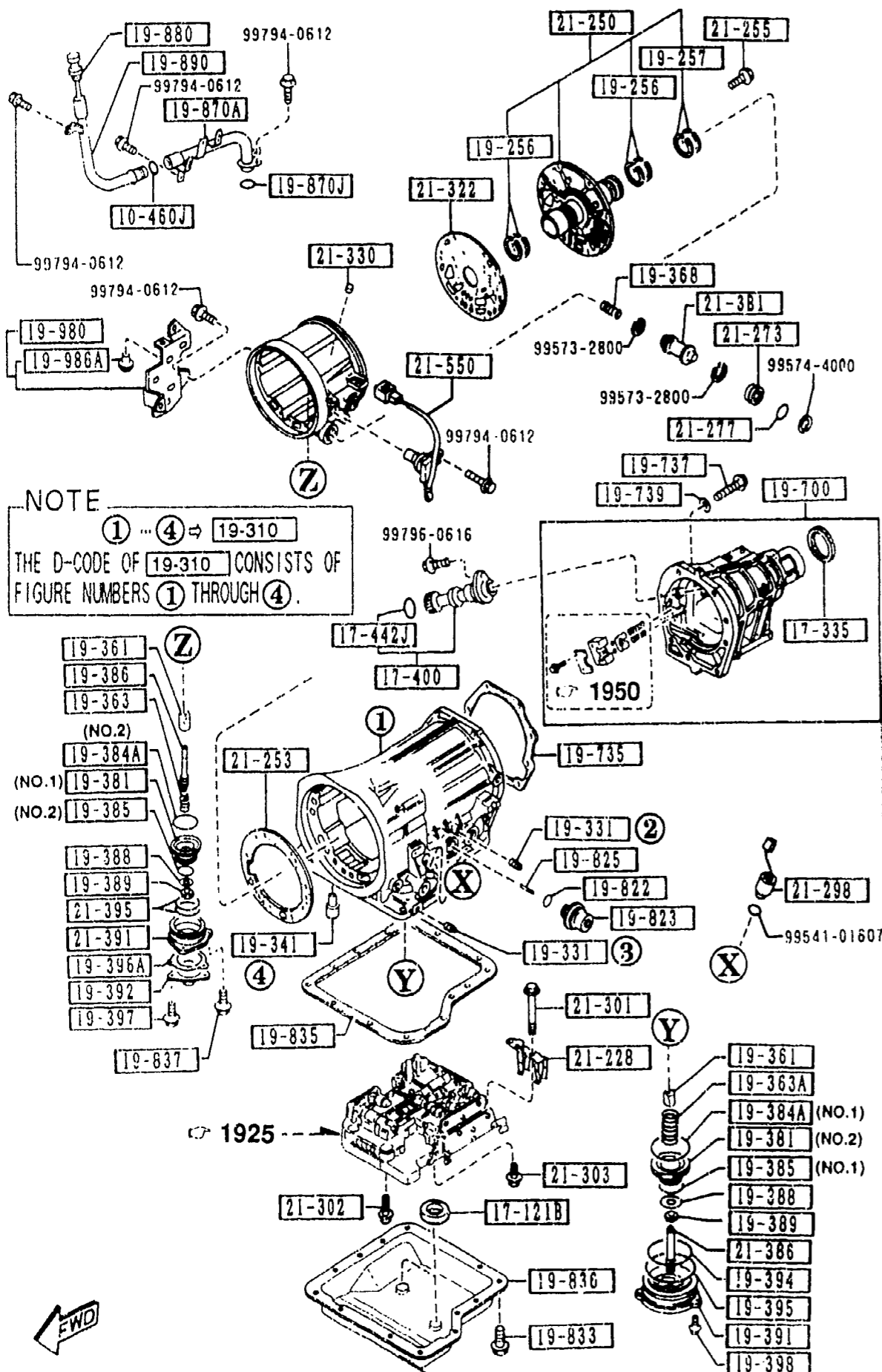
PART NO.	QTY	MODEL/RESTRICTION	MODEL/RESTRICTION	MODEL/RESTRICTION	FROM-TO
19-381		PISTON, BAND SERVO			
BV03-19-381	1	(ILLUST. NO.1)			
N451-19-381	1	(ILLUST. NO.2)			
19-384A		SEAL, PISTON			
BU10-19-384	1	(ILLUST. NO.1)			
BU55-19-384	1	(ILLUST. NO.2)			
19-385		SEAL, PISTON			
8U05-19-385	1	D=49.4MM (ILLUST. NO.1)			
0842-19-385	1	D=36MM (ILLUST. NO.2)			
19-386		STEM, PISTON			
0338-19-386A	1				
19-388		WASHER, PLAIN			
0338-19-388A	2				
19-389		NUT			
0338-19-389	2				
19-391		RETAINER, SERVO			
N451-19-391	1				
19-392		COVER, SERVO			
1758-19-392A	1				
19-394		SEAL, LATHE CUT			
0842-19-394	1				
19-395		RING, 'O'			
0338-19-395	1				
19-396A		GASKET NON ASBESTOS			
BU46-19-396A	1				
19-397		BOLT			
1758-19-397	3				



PART NO.	QTY	MODEL/RESTRICTION	MODEL/RESTRICTION	MODEL/RESTRICTION	FROM-TO
19-398		BOLT			
0538-19-398	3				
19-700		HOUSING, EXTENSION			
BUY2-19-7A7	1				
19-735		GASKET, EXTENSION			
BT28-19-735	1	NON ASBESTOS			
19-737		BOLT			
BV12-19-737	8				
19-739		WASHER, PLAIN			
BV40-19-739	8				
19-822		SEAL, O-RING			
0338-19-822	1				
19-823		DIAPHRAGM, VACUUM			
BT07-19-823	1				
19-825		ROD, DIAPHRAGM			
BU55-19-825	1	L=29.75MM			
0338-19-825	1	L=30.0MM			
0338-19-826	1	L=31.0MM			
0338-19-827	1	L=30.5MM			
0338-19-828	1	L=29.0MM			
0338-19-829	1	L=29.5MM			
19-833		BOLT, CONTROL VALVE			
BU91-19-833	13	L=15MM			
19-835		GASKET, OIL PAN			
BT28-19-835	1	NON ASBESTOS			

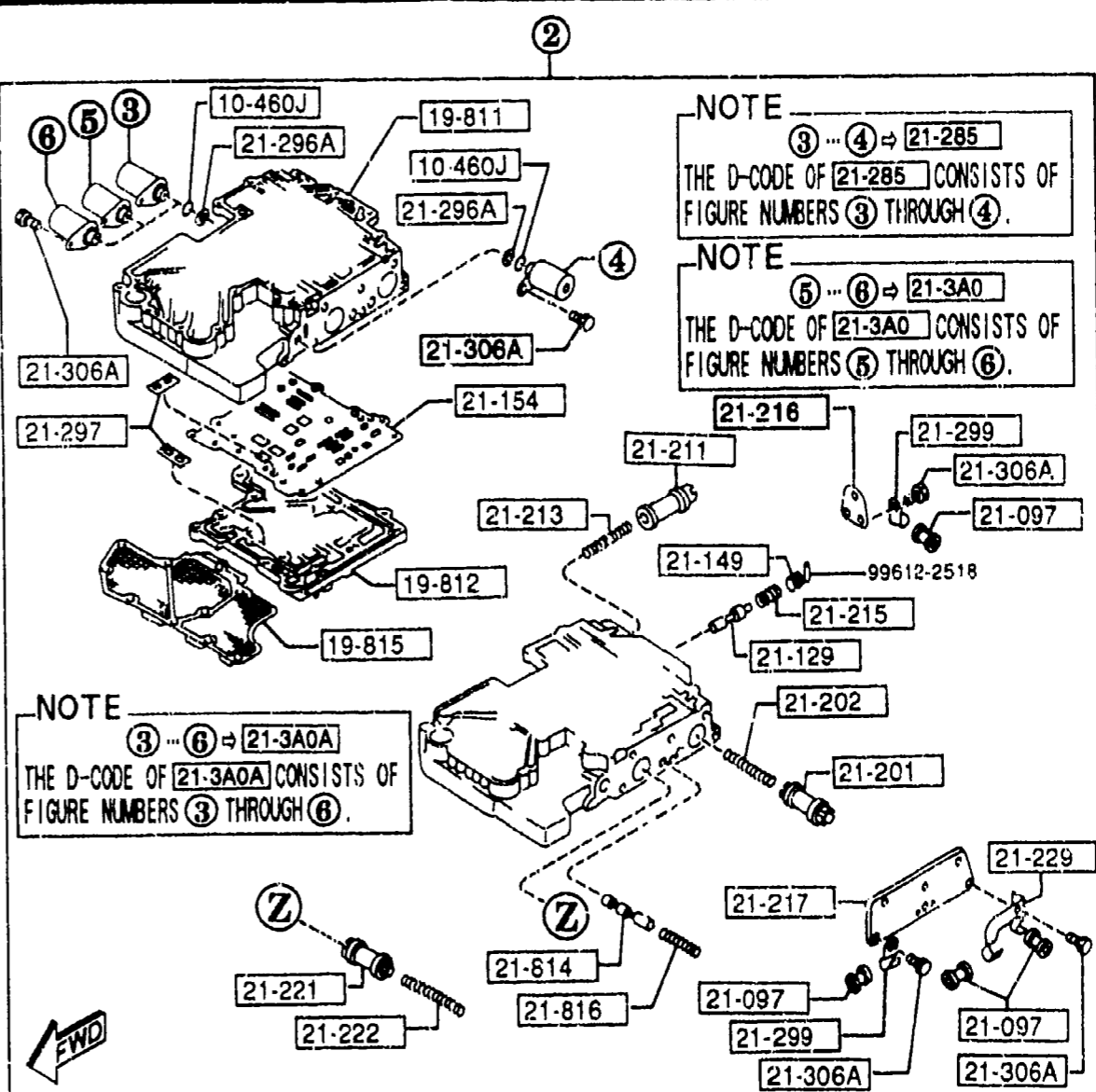
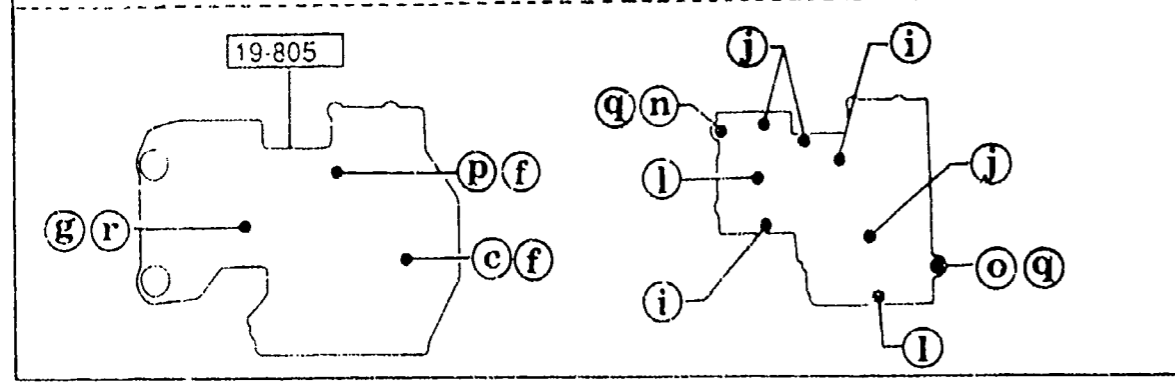
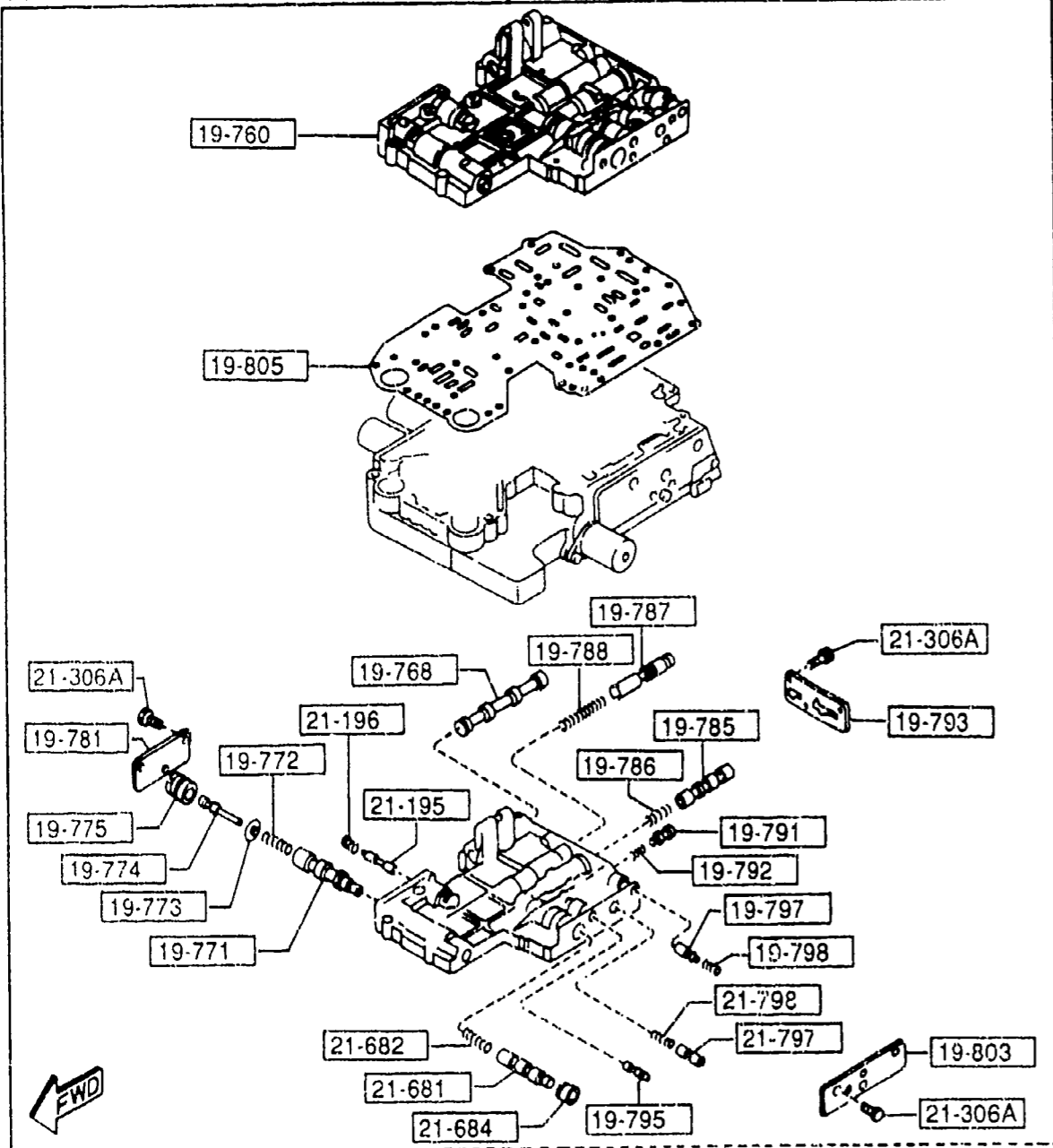


PART NO.	QTY	MODEL/RESTRICTION	MODEL/RESTRICTION	MODEL/RESTRICTION	M-T-O
19-836		PAN,OIL			
BV02-19-836	1				
19-837		BOLT,OIL PAN			
0338-19-837	3				
19-870A		TUBE,FILLER			
BU55-19-870	1				
19-870J		RING,'O'			
99541-01601	1				
19-880		GAUGE,OIL LEVEL			
BV55-19-880A	1				
19-890		TUBE,OIL FILTER-UPPER			
BU55-19-890	1				
19-980		BRACKET			
BU55-19-980A	1				
19-986A		BUSH,RUBBER			
BV01-19-986	1				
21-228		HOLDER, SOCKET			
BV01-21-228A	1				
21-250		SUPPORT, DRUM			
BV01-21-250A	1				
21-253		GASKET, DRUM SUPPORT			
BU46-21-2F3	1	NON ASBESTOS			
21-255		BOLT			
BU01-21-255	5				
21-273		PLUG, ACCUMULATOR			
BU01-21-273	1				
21-277		RING,'O'			



PART NO.	QTY	MODEL/RESTRICTION	MODEL/RESTRICTION	MODEL/RESTRICTION	FROM-TO
CONT'D					
BU01-21-277	1				
21-298		COUPLER, SOLENOID VALVE			
BV09-21-2K0	1				
21-381		PISTON, ACCUMULATOR			
N451-21-381	1				
21-301		BOLT, CONTROL VALVE			
BV01-21-301	2				
21-302		BOLT, CONTROL VALVE			
BV01-21-302	4				
21-303		BOLT, CONTROL VALVE			
BV01-21-303	1				
21-322		GASKET, O/DRIVE CASE			
BU46-21-3C2	1				
21-330		VALVE, ONE WAY			
BV01-21-330	1				
21-386		STEM, PISTON BAND			
BU01-21-386	1				
21-391		RETAINER, SERVO			
BV02-21-391	1				
21-395		RING, 'O'			
BU01-21-395	2				
21-550		GENERATOR, PULSE			
N451-21-550A	1				

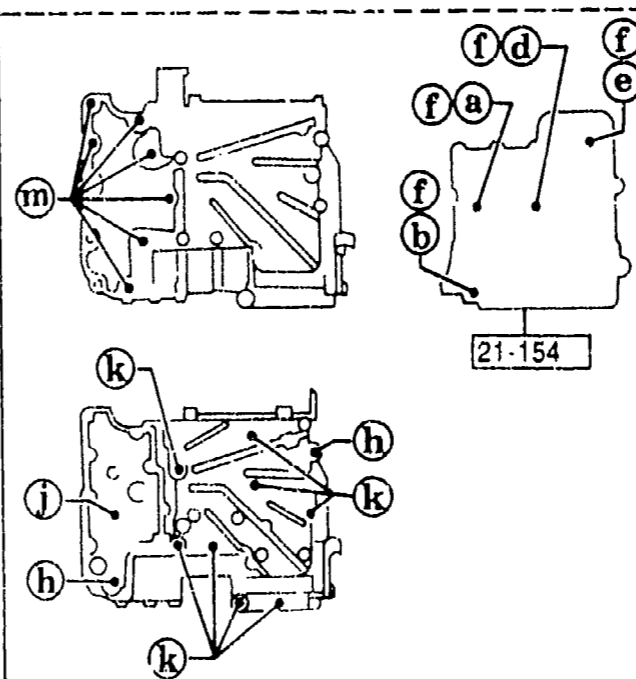
NOTE
 ① ... ② ⇒ 19-750
 THE D-CODE OF 19-750 CONSISTS OF FIGURE NUMBERS ① THROUGH ②.



NOTE
 ③ ... ④ ⇒ 21-285
 THE D-CODE OF 21-285 CONSISTS OF FIGURE NUMBERS ③ THROUGH ④.

NOTE
 ⑤ ... ⑥ ⇒ 21-3A0
 THE D-CODE OF 21-3A0 CONSISTS OF FIGURE NUMBERS ⑤ THROUGH ⑥.

NOTE
 ③ ... ⑥ ⇒ 21-3A0A
 THE D-CODE OF 21-3A0A CONSISTS OF FIGURE NUMBERS ③ THROUGH ⑥.

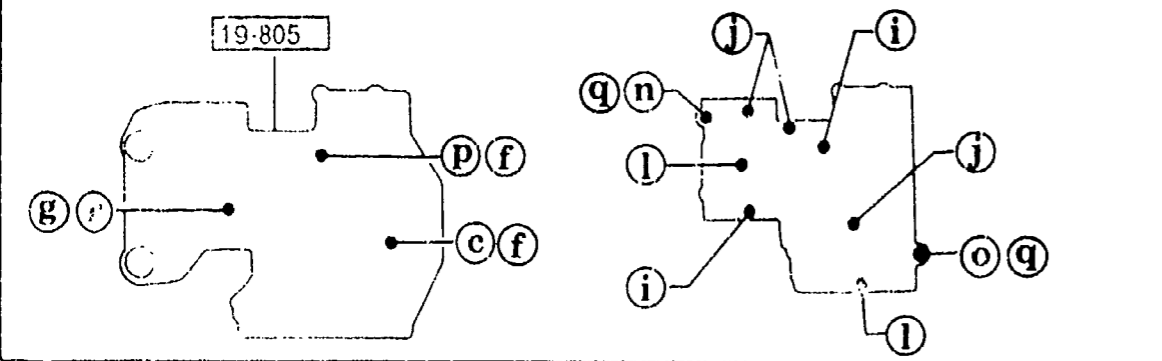
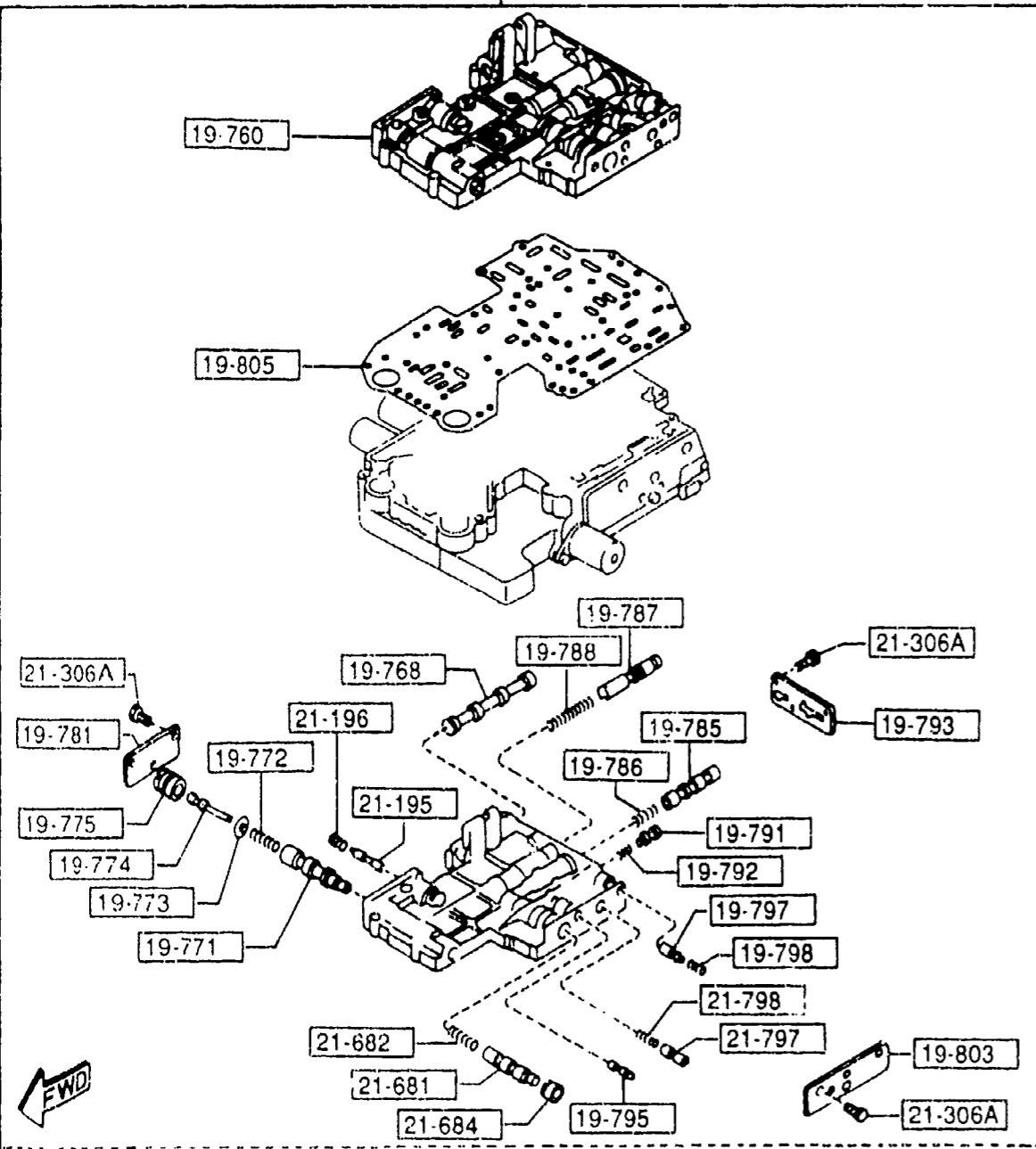


a	19-8A2	D=1.0MM
b	19-8A3	D=1.1MM
c	19-8A4	D=1.2MM
d	19-8B2	D=1.5MM
e	19-8B4	D=2.2MM
f	19-808	D=4.7MM, L=15.5MM
g	19-814	D=5.6MM, L=26.8MM
h	19-819	
i	21-261	L=30MM
j	21-262	L=35MM
k	21-263	L=25MM
l	21-264	L=40MM
m	21-265	L=12MM
n	21-302	L=59MM
o	21-305	L=82MM
p	21-333	
q	21-446	D=12.5MM, d=6.4MM
r	99611-2000	

(1/2)

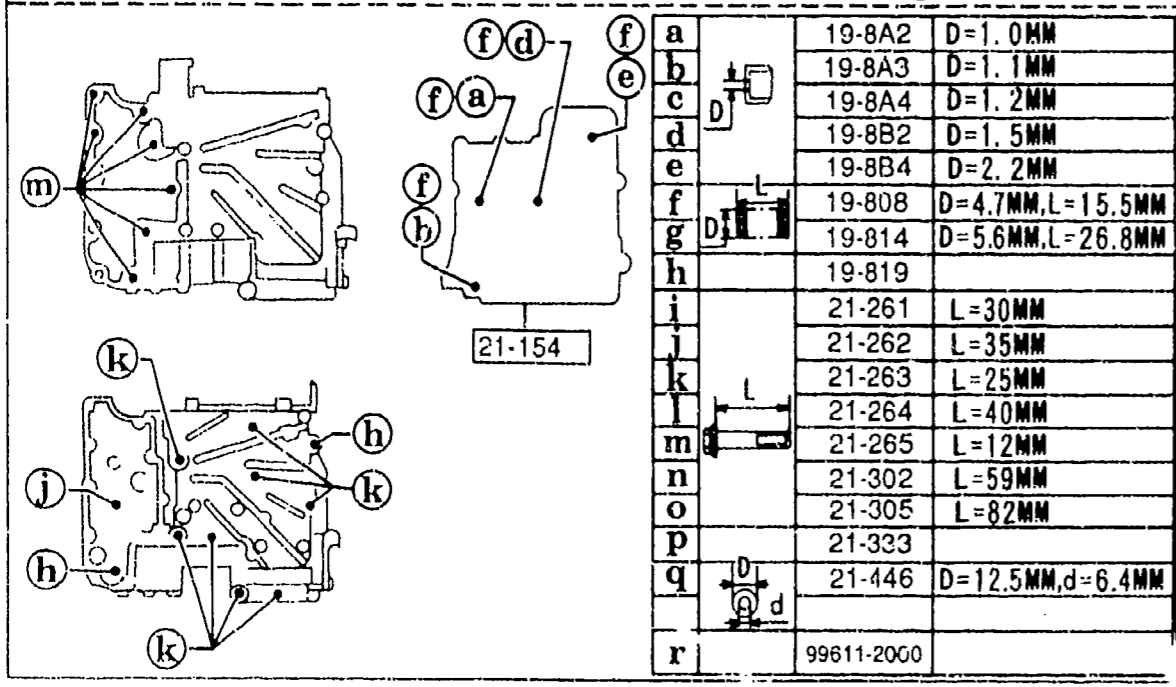
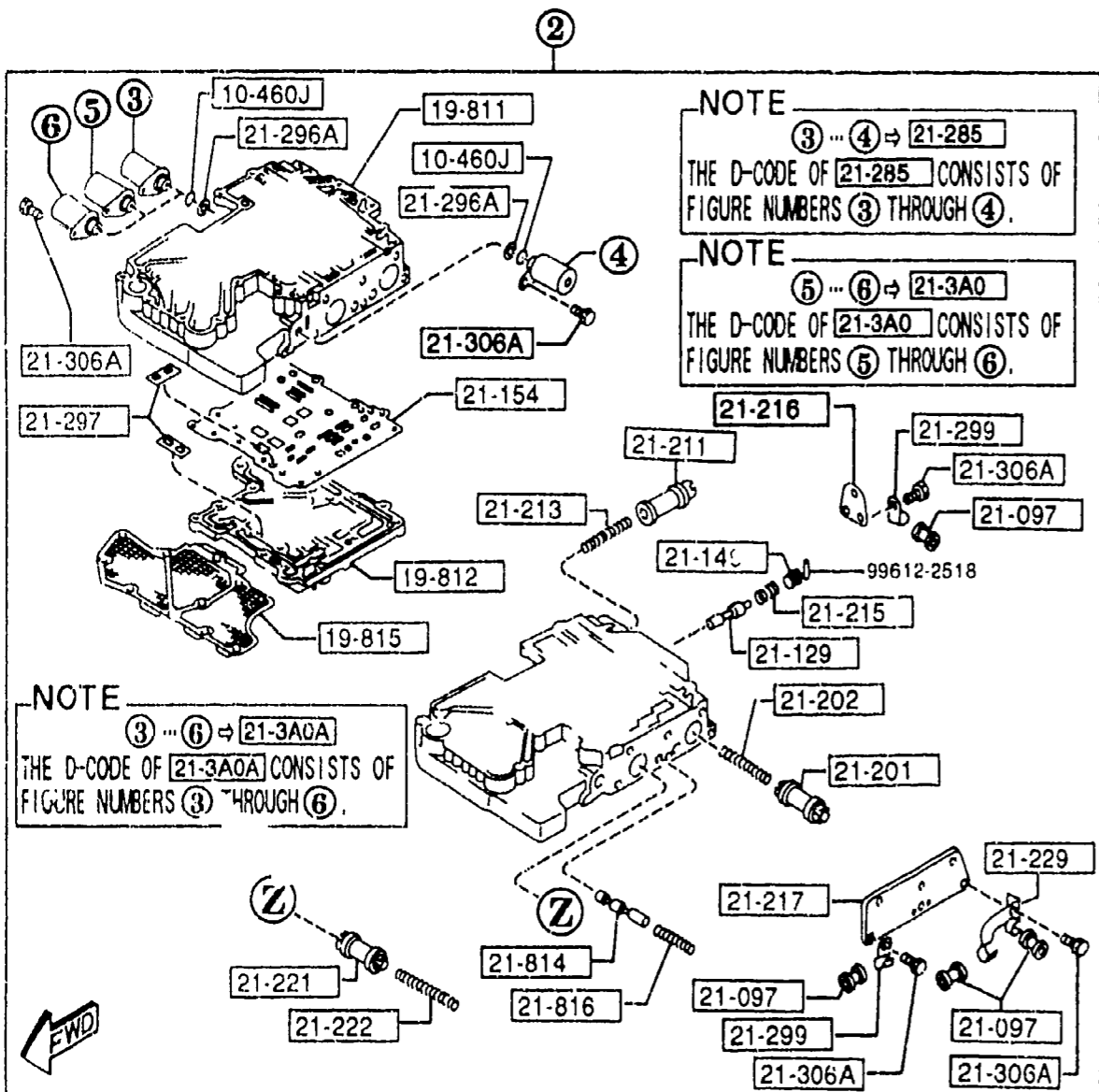
NOTE

① ... ② ⇨ 19-750
 THE D-CODE OF 19-750 CONSISTS OF
 FIGURE NUMBERS ① THROUGH ②.



PART NO.	QTY	MODEL/RE TRACTION	MODEL/RESTRICTION	MODEL/RESTRICTION	FROM-TO
10-460J		RING, 'O'			
99541-00707	4				-6110
19-750		VALVE, CONTROL			
N451-19-750	1				
19-760		BODY, CONTROL VALVE-U			
BV01-19-760F	1				
19-768		VALVE, MANUAL			
BU91-19-768	1				
19-771		VALVE, REGULATOR			
BV01-19-771	1				
19-772		SPRING, REGULATOR			
0338-19-772	1				
19-773		SEAT, REGULATOR SPRIN			
0338-19-773	1	G			
19-774		PLUG, REGULATOR			
N451-19-774	1				
19-775		SLEEVE, REGULATOR PLU			
N451-19-775	1	G			
19-781		PLATE, SIDE 'D'			
1758-19-781	1				
19-785		VALVE, 1-2 SHIFT			
BV01-19-785	1				
19-786		SPRING, 1-2 SHIFT			
BV11-19-527	1				
19-787		VALVE, 2-3 SHIFT			
N451-19-787	1				
19-788		SPRING, 2-3 SHIFT			
N451-19-788	1				

6110 NA3** -709212

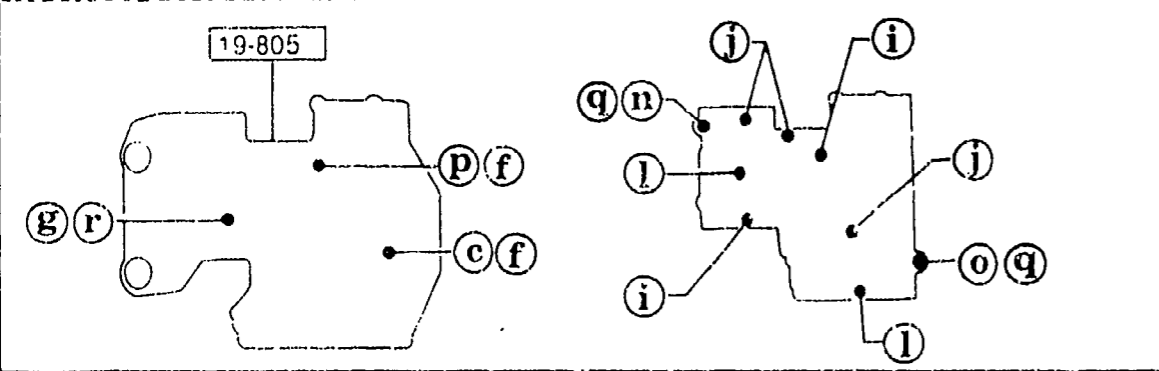
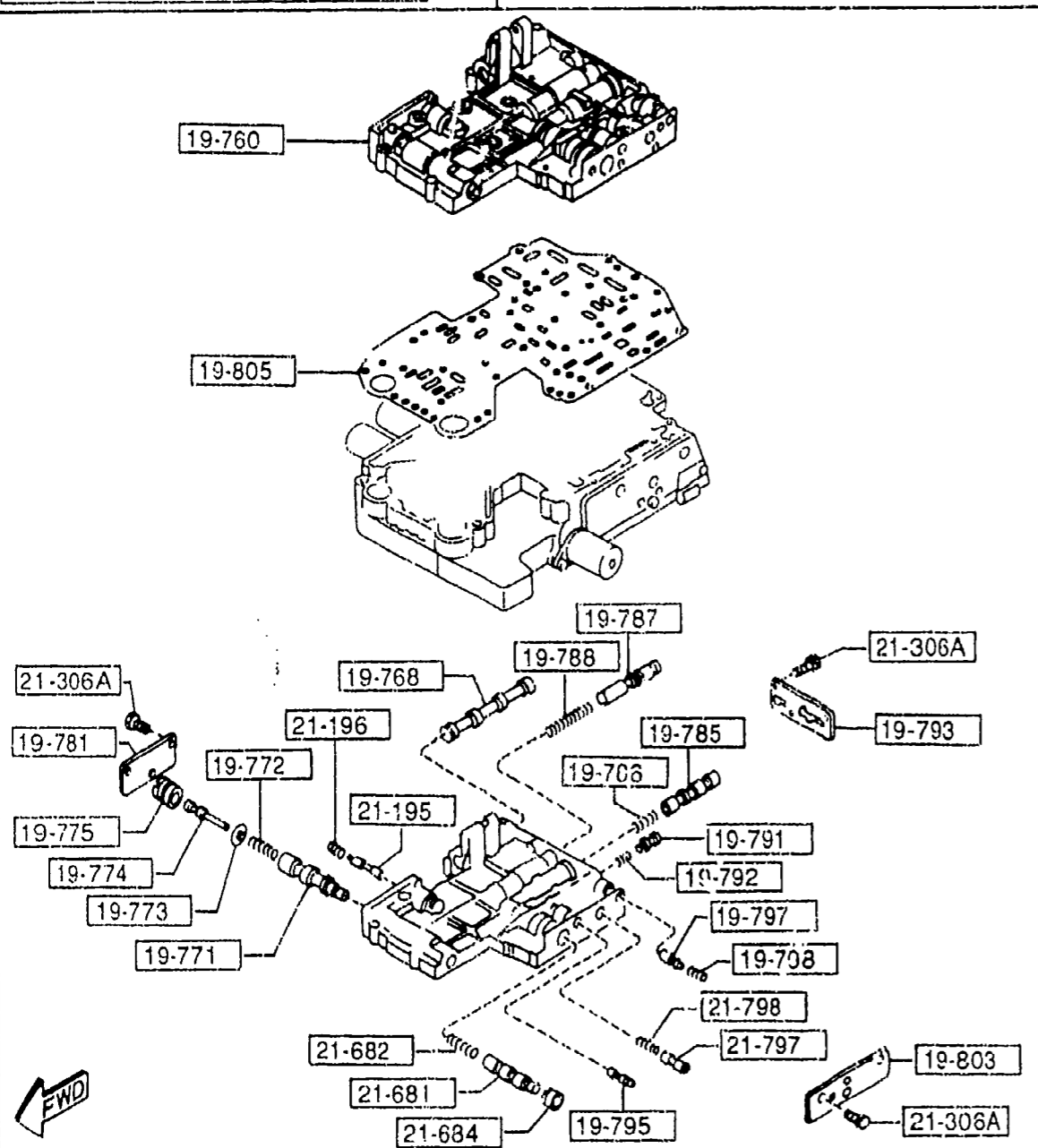


PART NO.	QTY	MODEL/RESTRICTION	MODEL/RESTRICTION	MODEL/RESTRICTION	FROM-TO
19-791		VALVE,MODIFIER			
0338-19-791A	1				
19-792		SPRING,MODIFIER			
BV01-19-792	1				
19-793		PLATE,SIDE 'A'			
BV01-19-793	1				
19-795		VALVE,THROTTLE			
N451-19-795	1				
19-797		VALVE,THROTTLE BACK-UP			
BV01-19-797A	1				
19-798		SPRING,THROTTLE BACK-UP			
N451-19-798	1				
19-8A2		VALVE,ORIFICE CHECK			
BV01-19-8A2	1				
19-8A3		VALVE,ORIFICE CHECK			
BV01-19-8A3	1				
19-8A4		VALVE,ORIFICE CHECK			
BV01-19-8A4	1				
19-8B2		VALVE,ORIFICE CHECK			
BV01-19-8B2	1				
19-8B4		VALVE,ORIFICE CHECK			
BV01-19-8B4	1				
19-803		PLATE,SIDE 'B'			
BV01-19-803	1				
19-805		PLATE,SEPARATOR			
BV17-19-805	1				
19-808		SPRING			
0338-19-808	6				

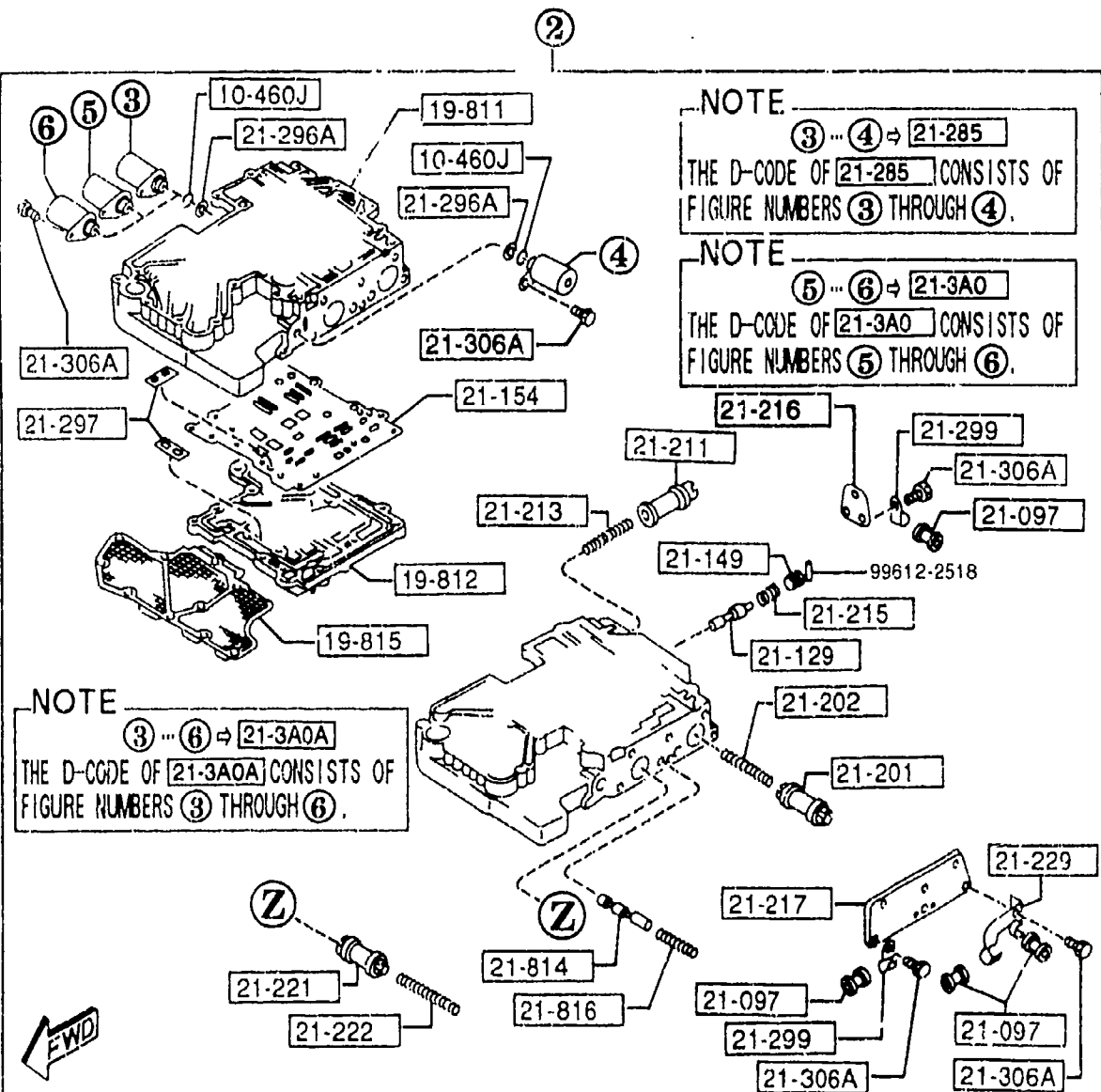


(1/2)

NOTE
 ① ... ② ⇨ 19-750
 THE D-CODE OF 19-750 CONSISTS OF
 FIGURE NUMBERS ① THROUGH ②.



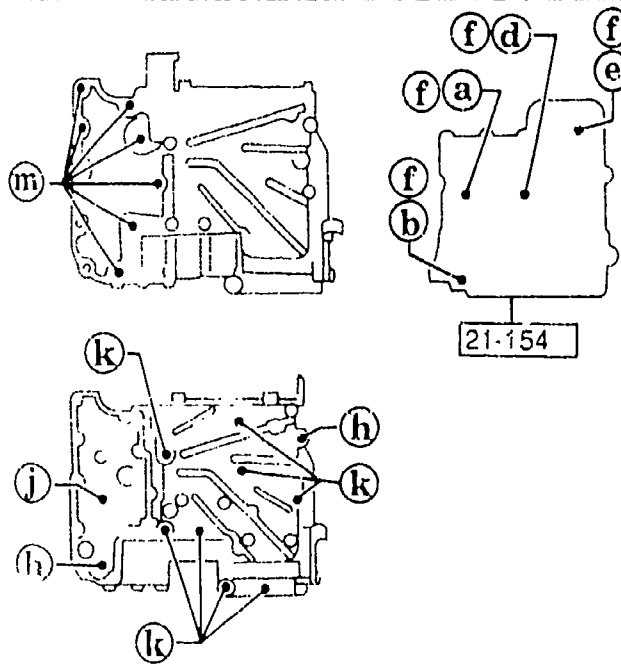
PART NO.	QTY	MODEL/RESTRICT IN	MODEL/RESTRICTION	MODEL/RESTRICTION	FROM-TO
19-811		BODY, VALVE LWR			
BV02-19-811C	1				
19-812		COVER, VALVE BODY			
BV01-19-812A	1				
19-814		SPRING			
G338-19-814	1				
19-815		STRAINER, OIL			
BV01-19-815	1				
19-819		NUT			
BV31-19-819	2				
21-097		PROTECTOR			
FU01-21-097	4				
21-129		VALVE, 1-2 REDUCING			
BV01-21-129	1				
21-149		PLUG, STOPPER			
BV01-21-149A	1				
21-154		PLATE, SEPARATOR			
N451-21-154	1				
21-195		VALVE, REDUCING			
BV01-21-195	1				
21-196		SPRING, REDUCING			
BV01-21-196	1				
21-201		PISTON, ACCUM			
N451-21-201	1				
21-202		SPRING, ACCUM N-R			
BV06-21-202	1				
21-211		PISTON, N/D ACCUM			
N451-21-211	1				



NOTE
 ③...④ ⇒ 21-285
 THE D-CODE OF 21-285 CONSISTS OF FIGURE NUMBERS ③ THROUGH ④.

NOTE
 ⑤...⑥ ⇒ 21-3A0
 THE D-CODE OF 21-3A0 CONSISTS OF FIGURE NUMBERS ⑤ THROUGH ⑥.

NOTE
 ③...⑥ ⇒ 21-3A0A
 THE D-CODE OF 21-3A0A CONSISTS OF FIGURE NUMBERS ③ THROUGH ⑥.



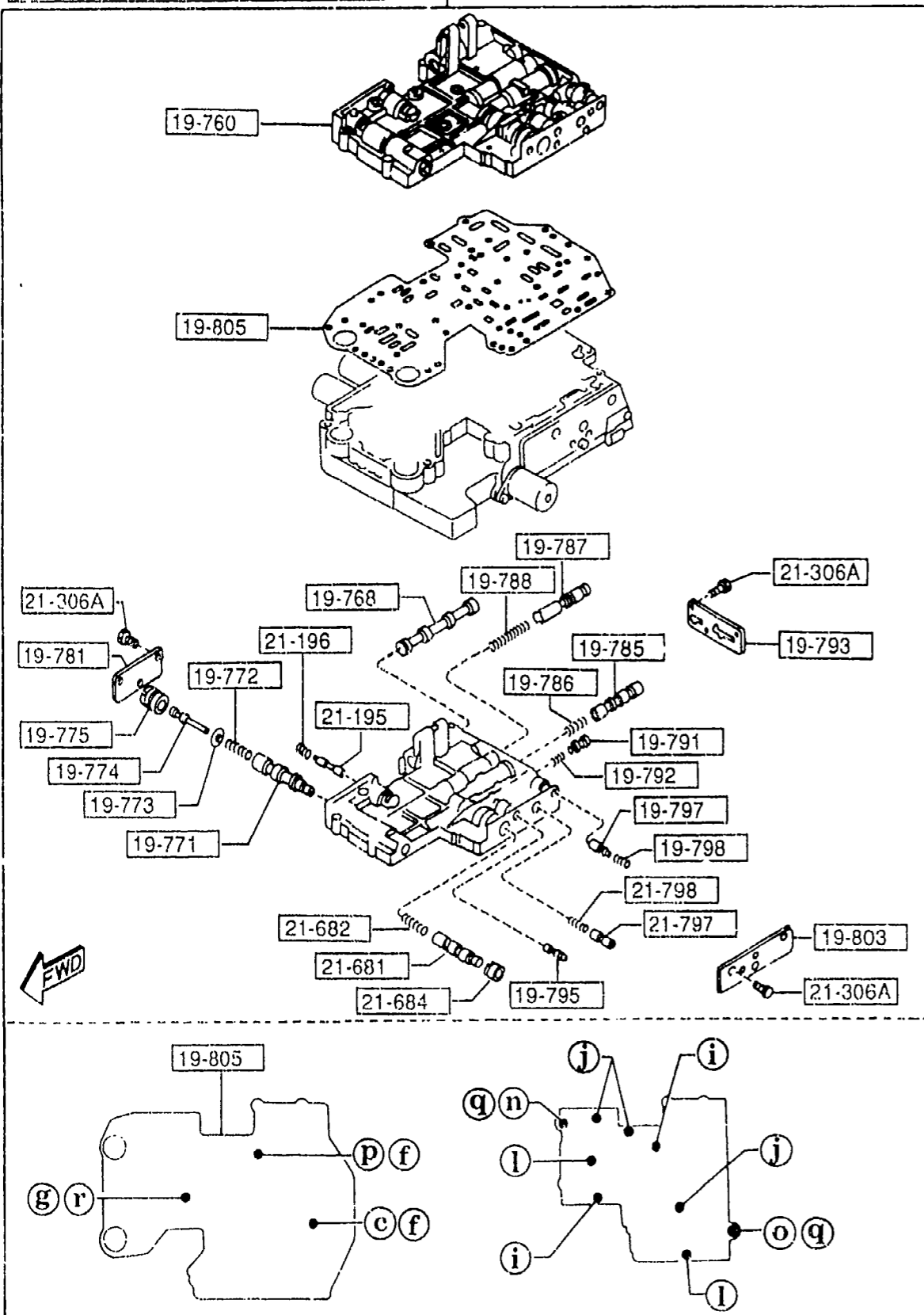
a	19-8A2	D=1.0MM
b	19-8A3	D=1.1MM
c	19-8A4	D=1.2MM
d	19-8B2	D=1.5MM
e	19-8B4	D=2.2MM
f	19-808	D=4.7MM, L=15.5MM
g	19-814	D=5.6MM, L=26.8MM
h	19-819	
i	21-261	L=30MM
j	21-262	L=35MM
k	21-263	L=25MM
l	21-264	L=40MM
m	21-265	L=12MM
n	21-302	L=59MM
o	21-305	L=82MM
p	21-333	
q	21-446	D=12.5MM, d=6.4MM
r	99611-2000	

PART NO.	QTY	MODEL/RESTRICTION	MODEL/RESTRICTION	MODEL/RESTRICTION	FROM-TO
21-213		SPRING, N/D ACCUM			
AV01-21-213	1				
21-215		SPRING, BY-PASS			
BV02-21-215	1				
21-216		PLATE 'E', SIDE			
BV01-21-216	1				
21-217		PLATE 'F', SIDE			
BV01-21-217	1				
21-221		PISTON, 1/2 ACCUM			
N451-21-221	1				
21-222		SPRING, ACCUM 1-2			
BV02-21-222B	2				
21-229		CLIP			
BV01-21-229A	1				
21-261		BOLT			
N451-21-261	2				
21-262		BOLT			
N451-21-262	4				
21-263		BOLT			
N451-21-263	8				
21-264		BOLT			
N451-21-264	2				
21-265		BOLT			
FU01-21-265C	7				
21-285		VALVE, SOLENOID			
BV01-21-280A	1				5201-
21-296A		STRAINER, OIL			
BV01-21-296	4				

5201 NA35* -614193

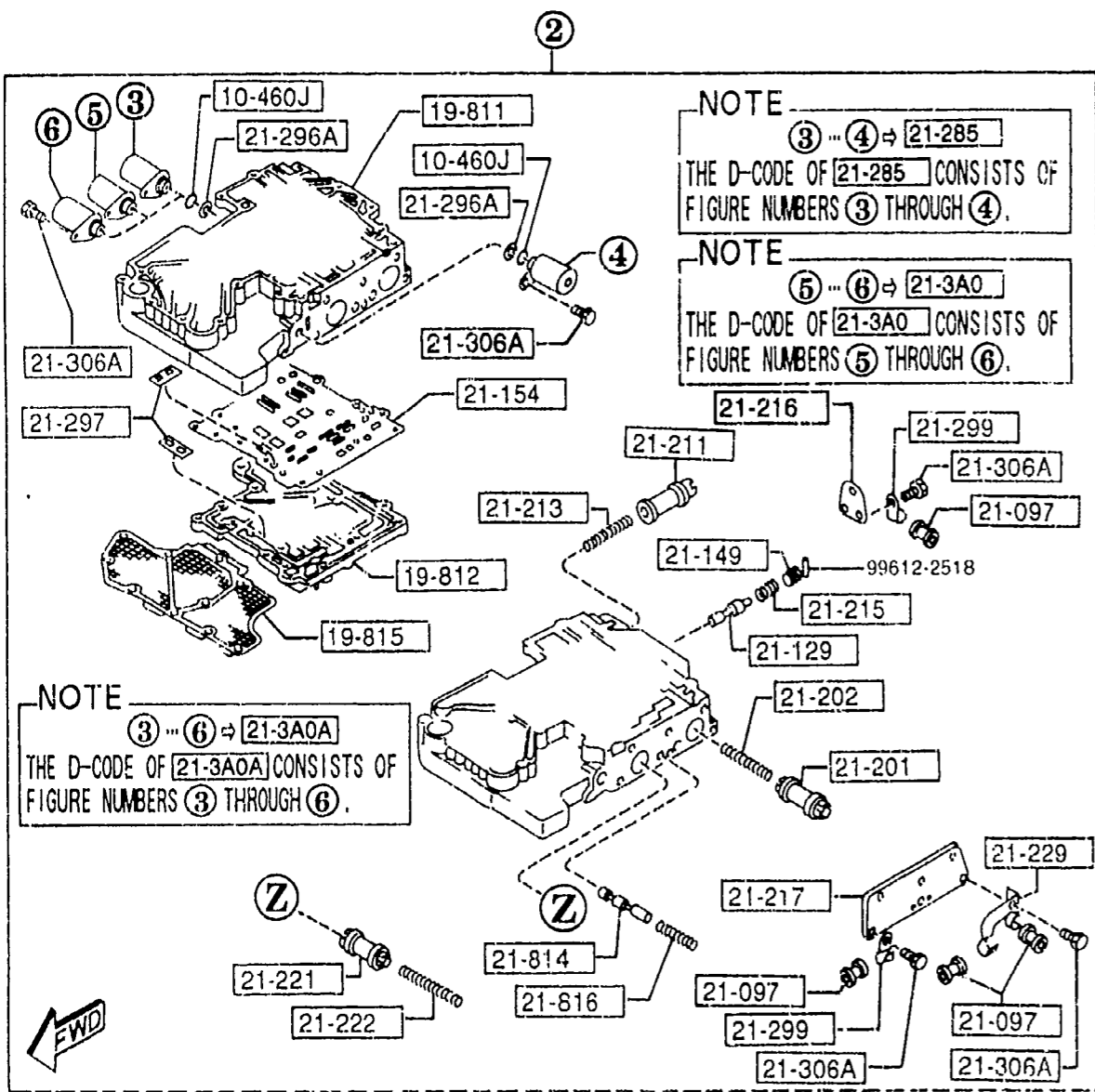
NOTE

① ... ② ⇒ 19-750
 THE D-CODE OF 19-750 CONSISTS OF
 FIGURE NUMBERS ① THROUGH ②.



PART NO.	QTY	MODEL/RESTRICTION	MODEL/RESTRICTION	MODEL/RESTRICTION	FROM-TO
21-297		STRAINER, INNER			
BV01-21-297	2				
21-299		CLIP			
BV01-21-299	2				
21-3A0		SOLENOID			5201-
BV02-21-3A0A	1				
21-3A0A		VALVE, SOLENOID NO1			-5201
BV01-21-3A0A	1				
21-302		BOLT, CONTROL VALVE			
BV02-21-302	1				
21-305		BOLT			
BV01-21-305B	1				
21-306A		BOLT			
BV01-21-306	22				
21-333		VALVE, ONE WAY			
BV01-21-333	1				
21-446		WASHER, DISHED			
BV01-21-446	2				
21-681		VALVE, SHIFT 3-4			
BV01-21-681	1				
21-682		SPRING, 3-4 SHIFT			
BV01-21-682	1				
21-684		VALVE, 3-4 SHIFT-COAS T			
BV01-21-684	1				
21-797		VALVE, CONTROL BACK U P			
BV01-21-797	1				
21-798		SPRING, BACK UP			
BV01-21-798	1				

5201 NA35* -614193



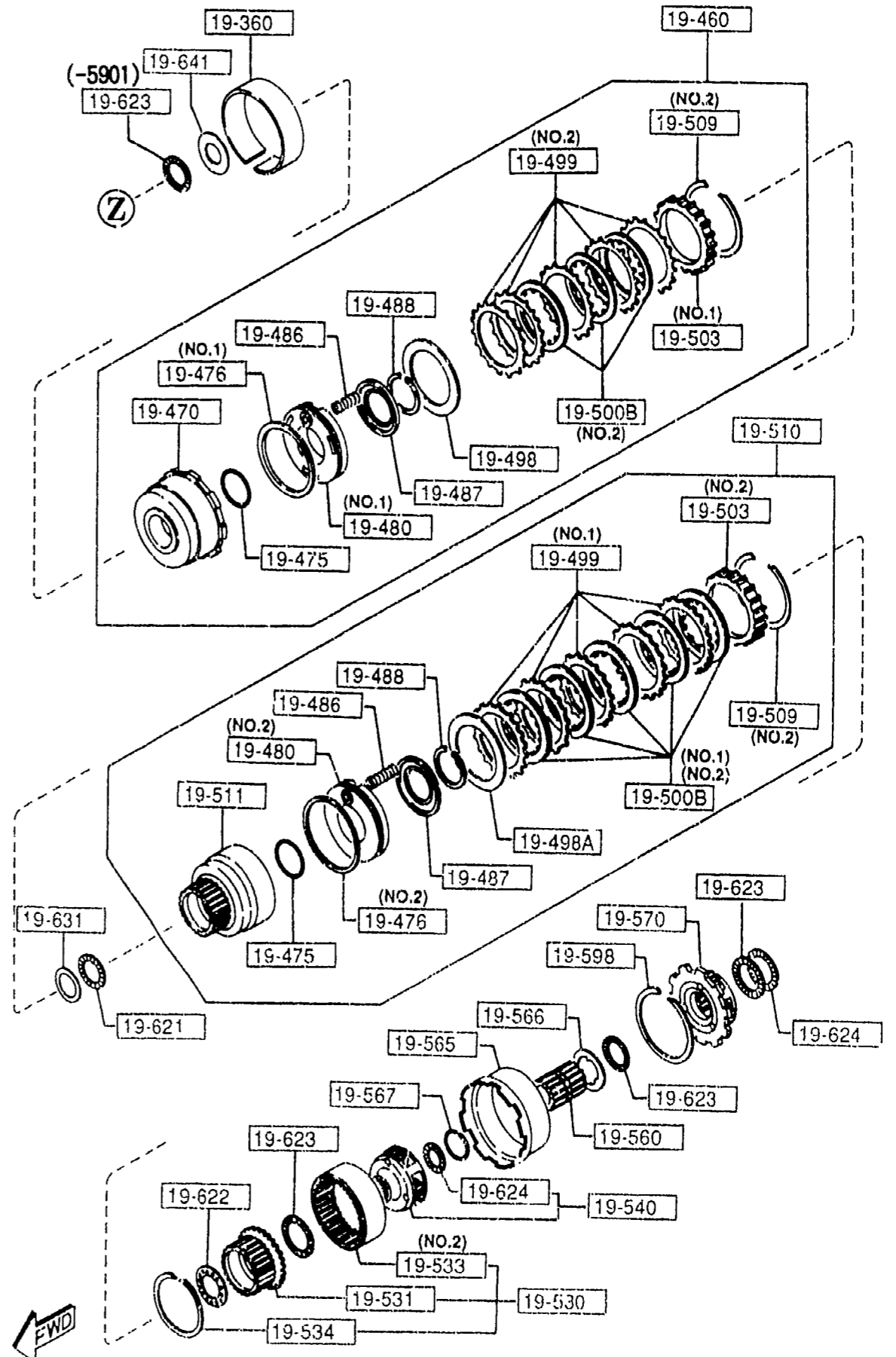
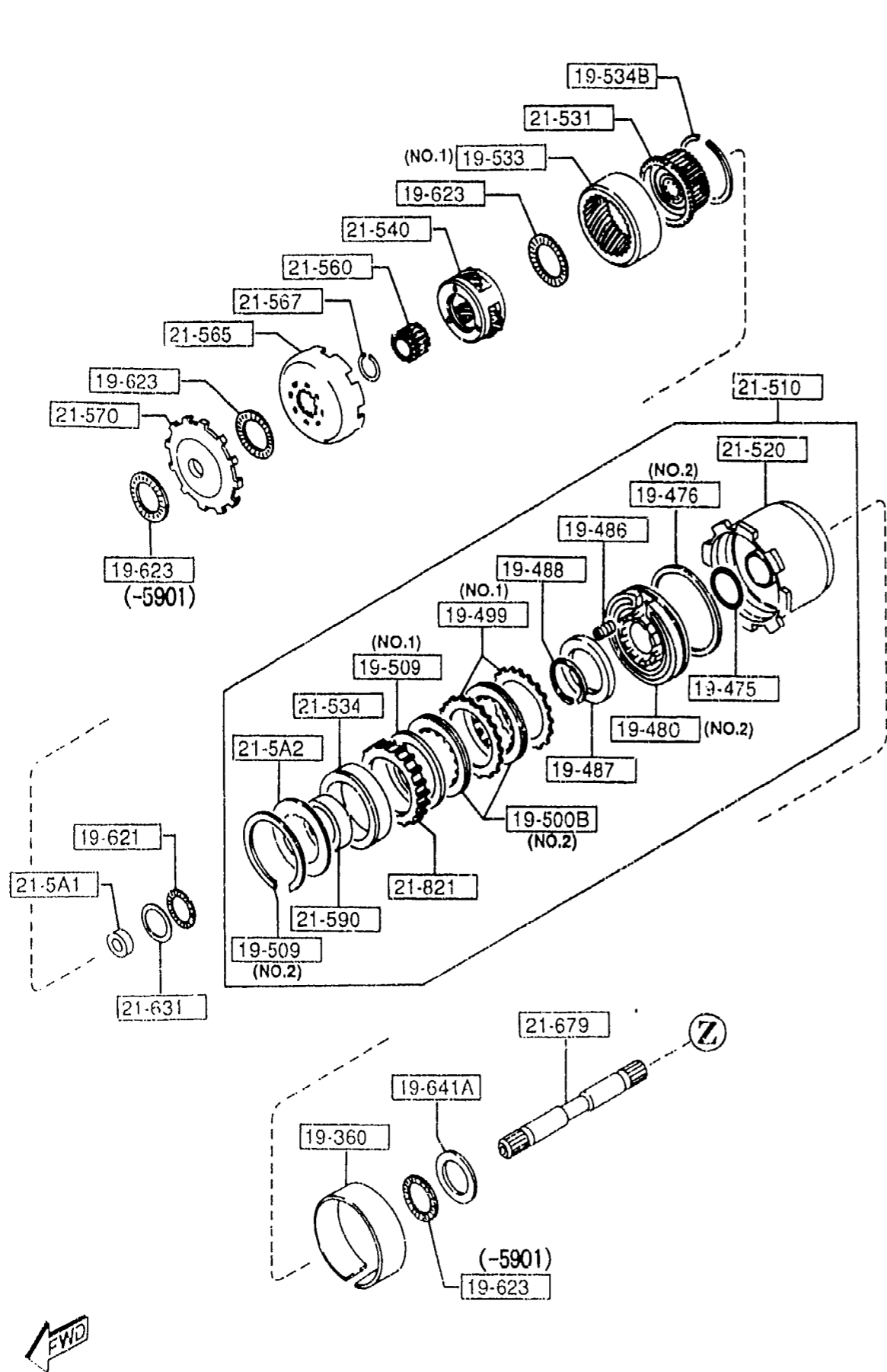
NOTE
 ③ ... ④ ⇨ 21-285
 THE D-CODE OF 21-285 CONSISTS OF
 FIGURE NUMBERS ③ THROUGH ④.

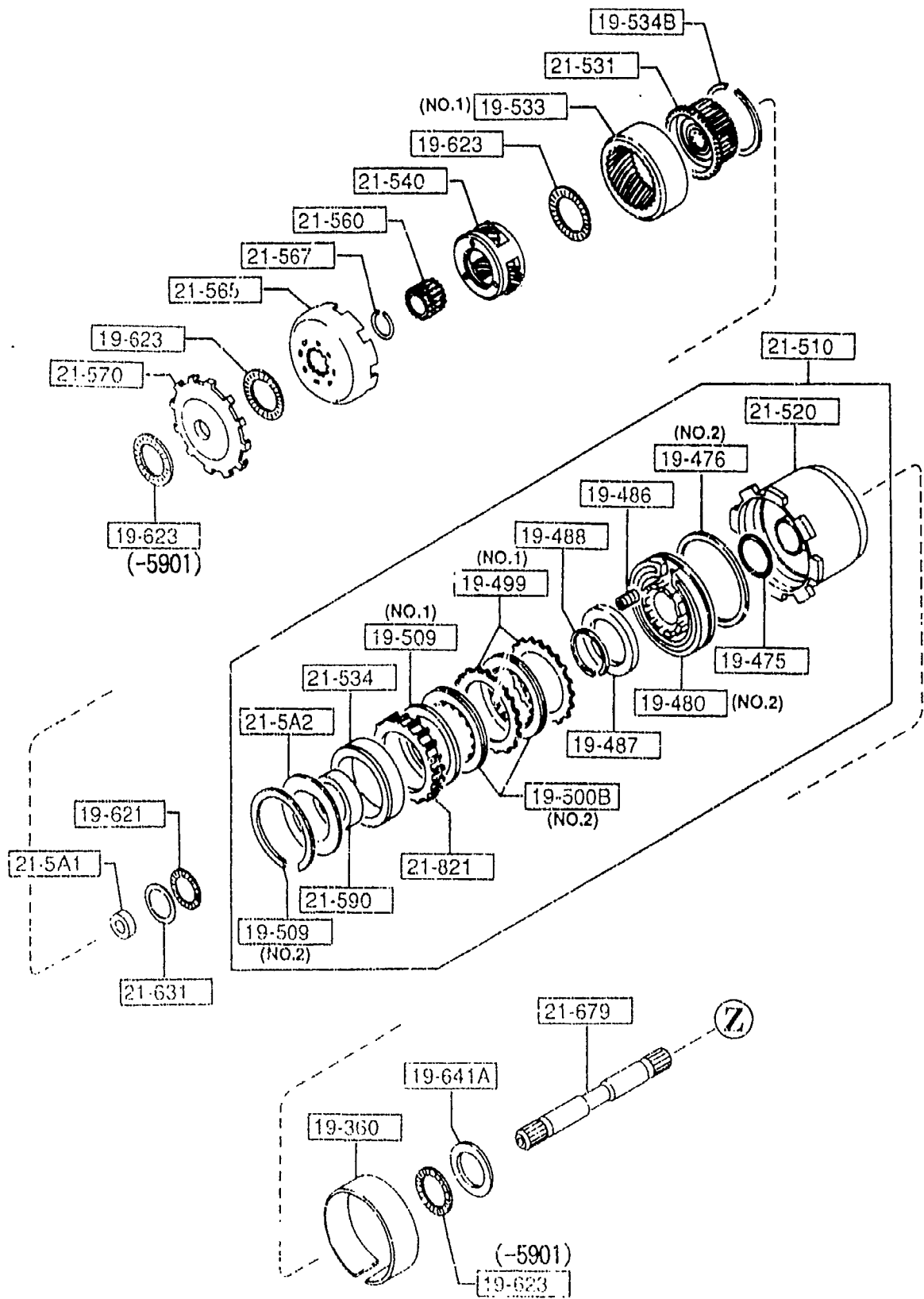
NOTE
 ⑤ ... ⑥ ⇨ 21-3A0
 THE D-CODE OF 21-3A0 CONSISTS OF
 FIGURE NUMBERS ⑤ THROUGH ⑥.

NOTE
 ③ ... ⑥ ⇨ 21-3A0A
 THE D-CODE OF 21-3A0A CONSISTS OF
 FIGURE NUMBERS ③ THROUGH ⑥.

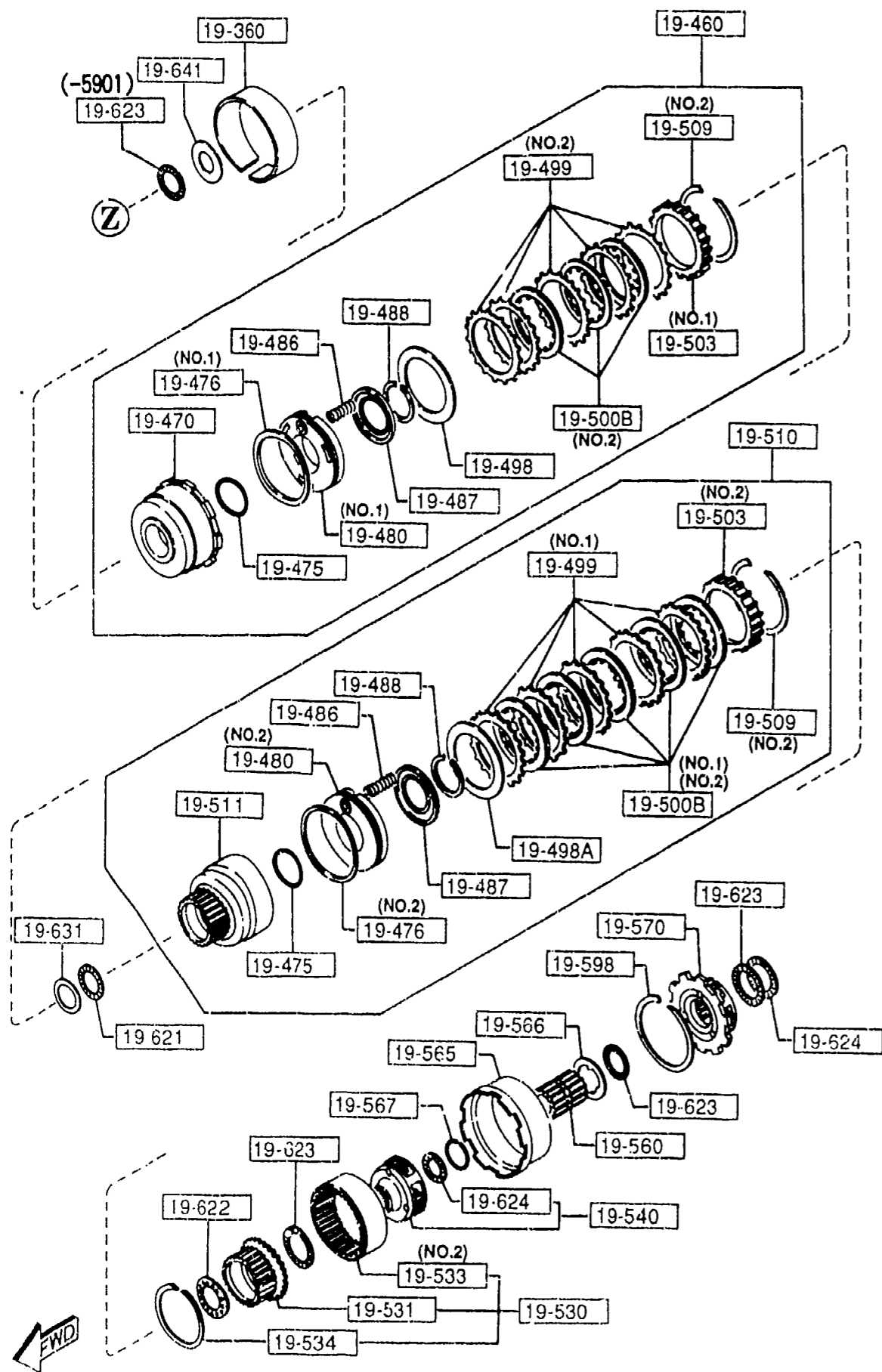
a	19-8A2	D=1.0MM
b	19-8A3	D=1.1MM
c	19-8A4	D=1.2MM
d	19-8B2	D=1.5MM
e	19-8B4	D=2.2MM
f	19-808	D=4.7MM,L=15.5MM
g	19-814	D=5.6MM,L=26.8MM
h	19-819	
i	21-261	L=30MM
j	21-262	L=35MM
k	21-263	L=25MM
l	21-264	L=40MM
m	21-265	L=12MM
n	21-302	L=59MM
o	21-305	L=82MM
p	21-333	
q	21-446	D=12.5MM,d=6.4MM
r	99611-2000	

PART NO.	QTY	MODEL/RESTRICTION	MODEL/RESTRICTION	MODEL/RESTRICTION	FROM-TO
21-814	1	SPRING,3-2 TIMING			
BV01-21-814	1				
21-816	1	SPRING,3-2 TIMING			
BV01-21-816	1				

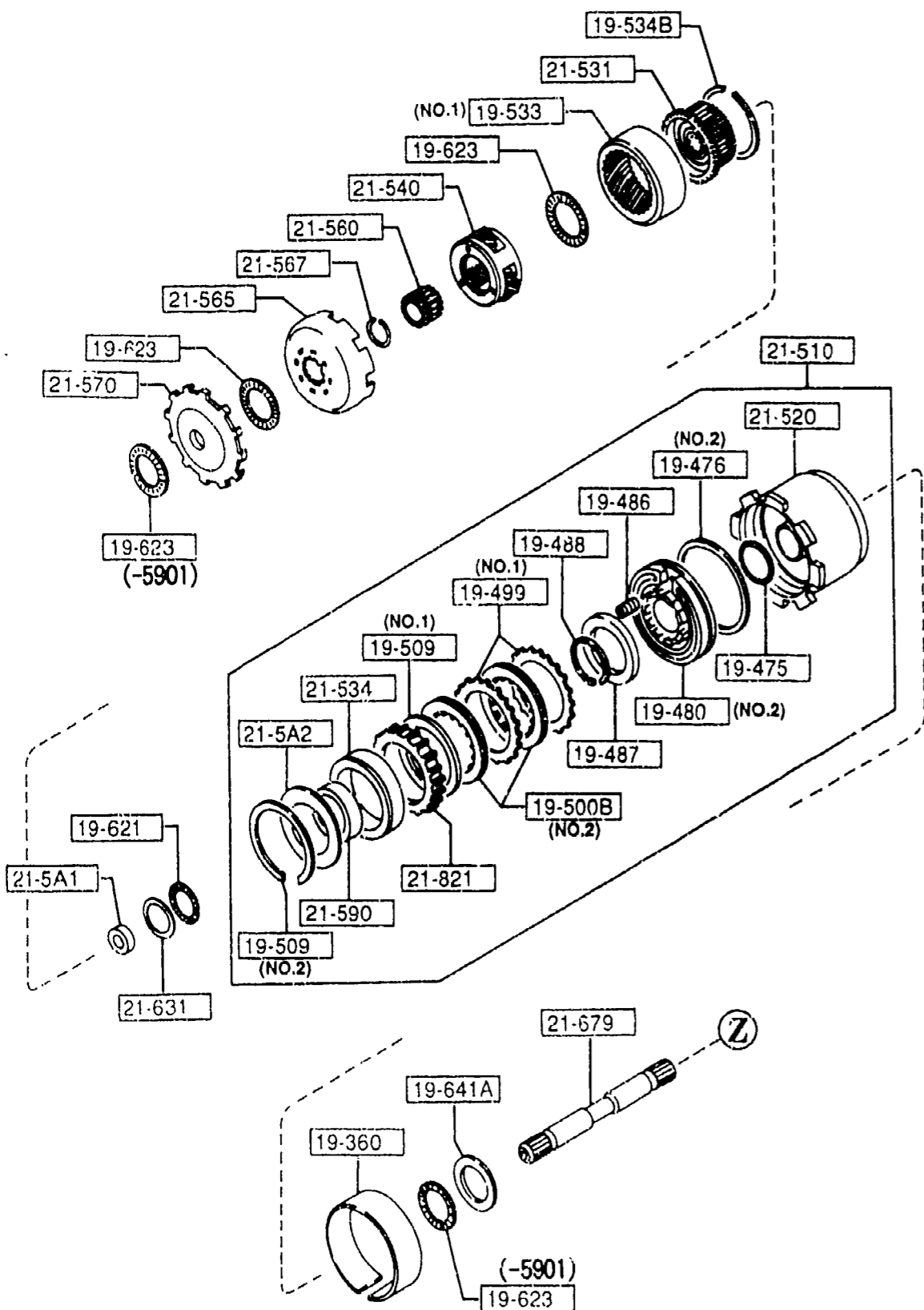




PART NO.	QTY	MODEL/RESTRICTION	MODEL/RESTRICTION	MODEL/RESTRICTION	FROM-TO
19-360		BAND, BRAKE			
0338-19-360B	2				
19-460		CLUTCH, FRONT			
N451-19-460	1				
19-470		DRUM, CLUTCH			
N451-19-470	1				
19-475		SEAL, 'O'RING			
0338-19-475	3				
19-476		SEAL, LATHE CUT			
BV01-19-476	1 (ILLUST. NO.1)				
0338-19-476	2 (ILLUST. NO.2)				
19-480		PISTON, CLUTCH			
BV01-19-480	1 (ILLUST. NO.1)				
0338-19-480	2 (ILLUST. NO.2)				
19-486		SPRING, PISTON RETURN			
0338-19-486	25				
19-487		RETAINER, SPRING			
0338-19-487	3				
19-488		RING, SNAP			
0338-19-488	3				
19-498		PLATE, DISHED			
0338-19-498	1				
19-498A		PLATE, DISHED			
BU17-19-498	1				
19-499		PLATE, DRIVEN			
FT01-19-499	7 (ILLUST. NO.1)				
0338-19-499	5 (ILLUST. NO.2)				
19-500B		PLATE, DRIVEN			

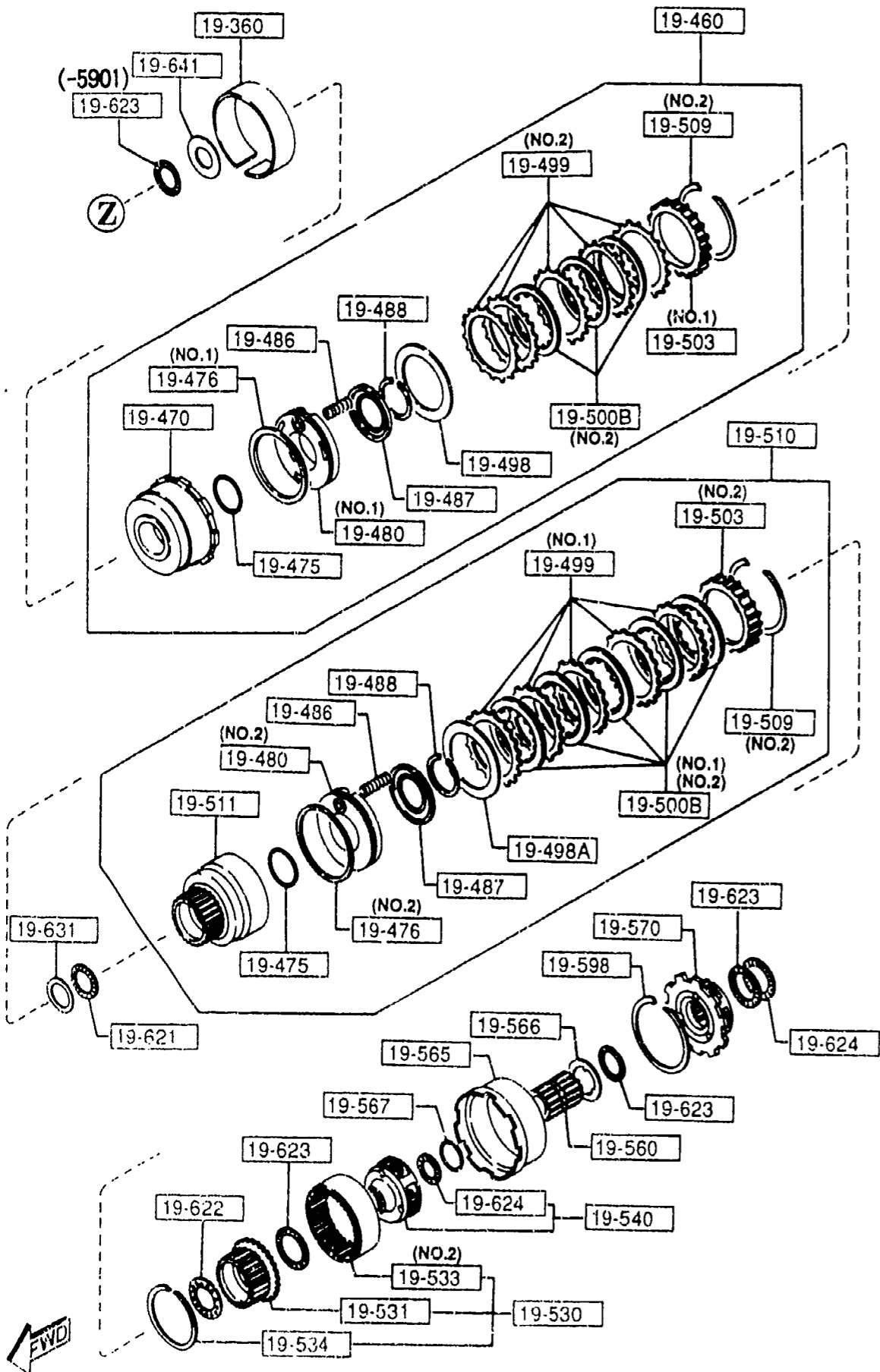


PART NO.	QTY	MODEL/RESTRICTION	MODEL/RESTRICTION	MODEL/RESTRICTION	FROM-TO
CONT'D					
BU55-19-5J0	5	SELECTIVE USE (ILLUST. NO.1)			
BU17-19-500A	10	SELECTIVE USE (ILLUST. NO.2)			
19-503		PLATE, RETAINING			
0338-19-503	1	T=10.2MM (ILLUST. NO.2)			
BU17-19-504	1	T=9.4MM (ILLUST. NO.2)			
BU17-19-505	1	T=9.6MM (ILLUST. NO.2)			
N451-19-505	1	T=6.4MM (ILLUST. NO.1)			
BU17-19-506	1	T=9.8MM (ILLUST. NO.2)			
BV02-19-506	1	T=6.6MM (ILLUST. NO.1)			
BU17-19-507	1	T=10MM (ILLUST. NO.2)			
BV02-19-507	1	T=6.8MM (ILLUST. NO.1)			
3959-19-507	1	T=5.8MM (ILLUST. NO.1)			
BU17-19-508	1	T=10.2MM (ILLUST. NO.2)			
BV02-19-508	1	T=7.0MM (ILLUST. NO.1)			
3959-19-508	1	T=6.0MM (ILLUST. NO.1)			
BU17-19-509	1	T=10.4MM (ILLUST. NO.2)			
3959-19-509	1	T=6.2MM (ILLUST. NO.1)			
19-509		RING, SNAP			
BV01-19-509	1	(ILLUST. NO.1)			
0338-19-509	3	T=2.0MM (ILLUST. NO.2)			
19-510		CLUTCH, REAR			
BU17-19-510A	1				
19-511		DRUM, REAR CLUTCH			
1758-19-511A	1				



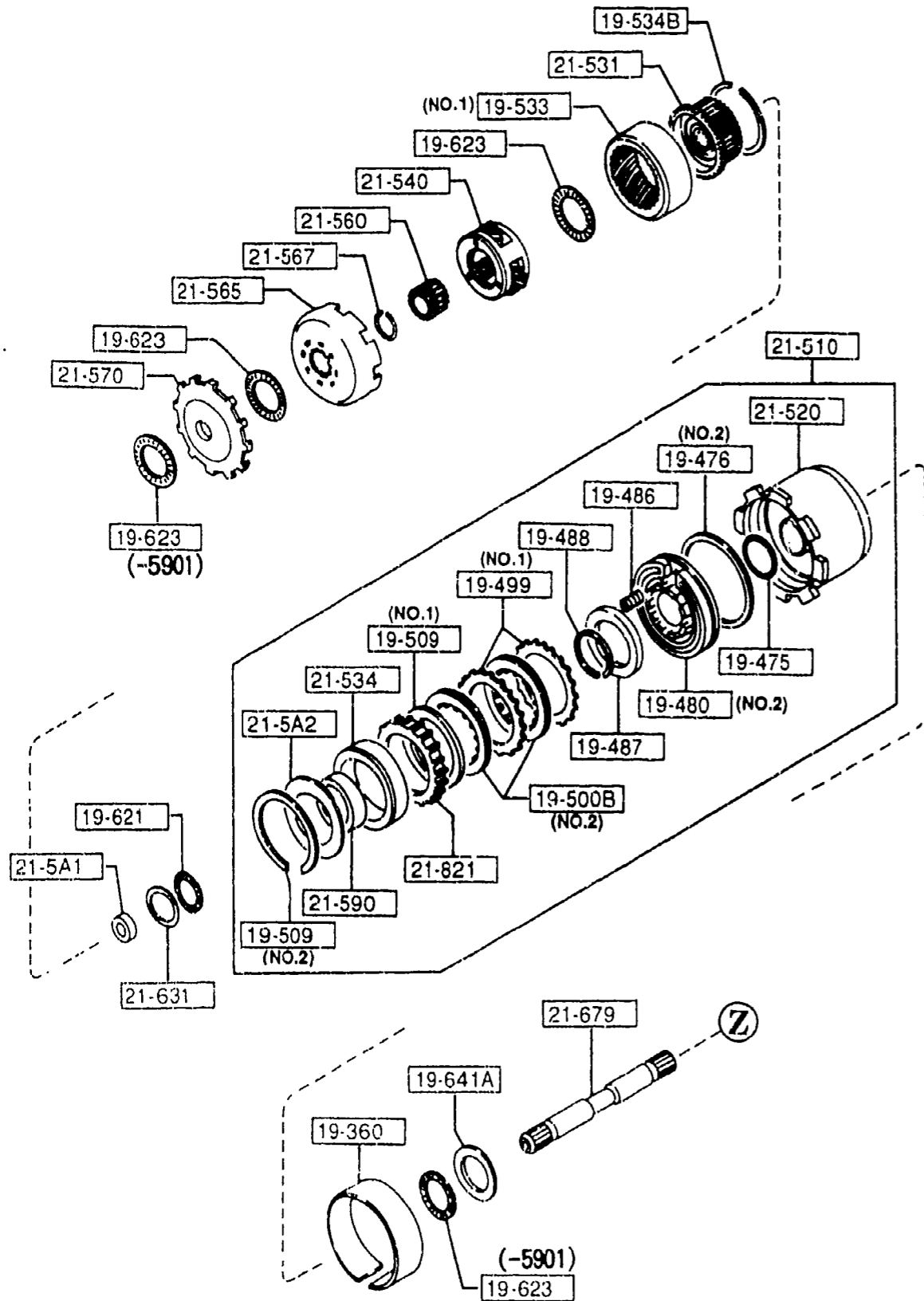
PART NO.	QTY	MODEL/RESTRICTION	MODEL/RESTRICTION	MODEL/RESTRICTION	FROM-TO
19-530		HUB, REAR CLUTCH			
0338-19-530	1				
19-531		HUB, REAR CLUTCH			
0338-19-531	1				
19-533		GEAR, INTERNAL			
BV01-19-533	1	(ILLUST. NO.1)			
0338-19-533A	1	(ILLUST. NO.2)			
19-534		RING, SNAP			
0338-19-534	1				
19-534B		RING, SNAP			
BU03-19-534	1				
19-540		CARRIER, FRONT			
0338-19-540	1				
19-560		GEAR, SUN			
0338-19-560	1				
19-565		SHELL, CONNECTING			
BU27-19-565	1				
19-566		RACE, SHELL BEARING			
0338-19-566	1	('95 MODEL.)			
19-567		RING, SNAP			
0338-19-567	1				
19-570		CARRIER, REAR			
0338-19-570	1				
19-598		RING, SNAP			
0338-19-598	1				
19-621		BEARING, NEEDLE			
0338-19-621	2				



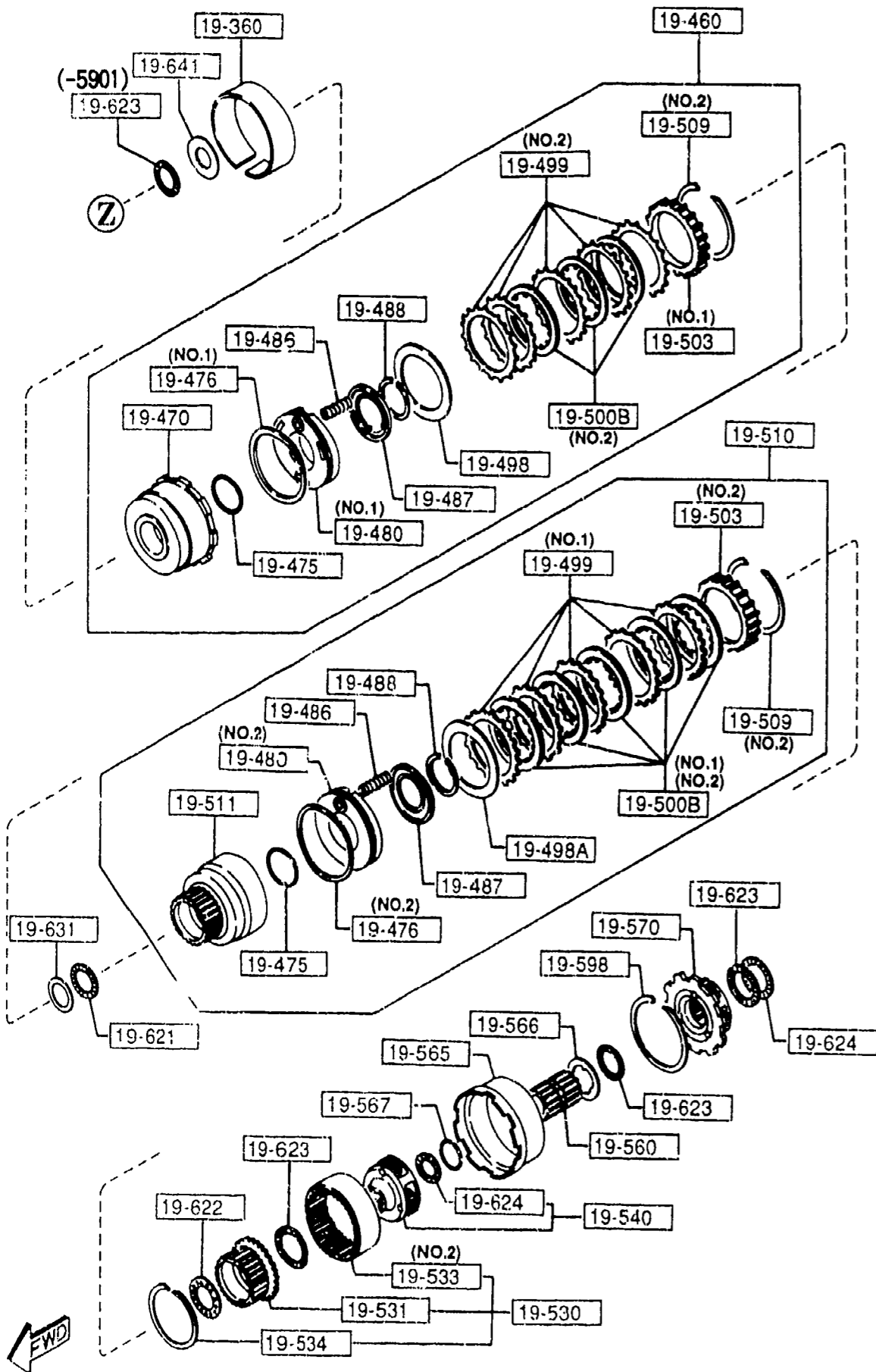


PART NO.	QTY	MODEL/RESTRICTION	MODEL/RESTRICTION	MODEL/RESTRICTION	FROM-TO
19-622		BEARING, NEEDLE			
BU91-19-622	1	D=34.7MM			
FT01-19-622	1	D=33.8MM			
19-623		BEARING, NEEDLE			
0338-19-623A	8				-5901
0338-19-623A	5				5901-
19-624		BEARING, NEEDLE			
0338-19-624	2				
19-631		RACE, BRG. PUMP COVER			
0338-19-631	1	T=1.2MM			
0338-19-632	1	T=1.4MM			
0338-19-633	1	T=1.6MM			
0338-19-634	1	T=1.8MM			
0338-19-635	1	T=2.0MM			
0338-19-636	1	T=2.2MM			
19-641		WASHER, FRONT CLUTCH			
BV01-19-6C1	1	T=0.8MM			
BV01-19-6C2	1	T=1MM			
BV01-19-6C3	1	T=1.2MM			
BV01-19-6C4	1	T=1.4MM			
BV01-19-6C5	1	T=1.6MM			
BV01-19-6C6	1	T=1.8MM			
BV01-19-6C7	1	T=2MM			
BV01-19-6C8	1	T=2.2MM			

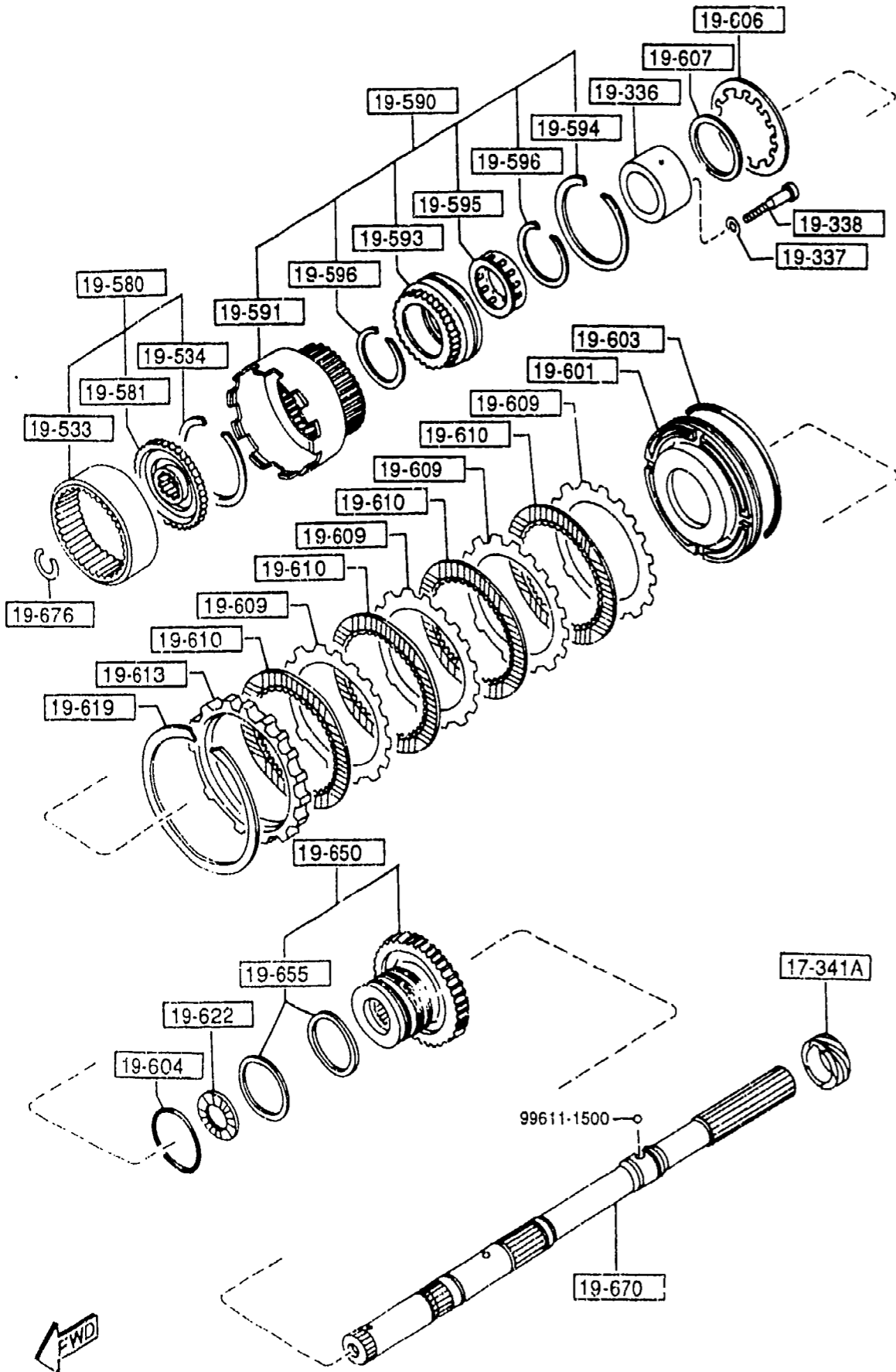
5901 NA3** -702989



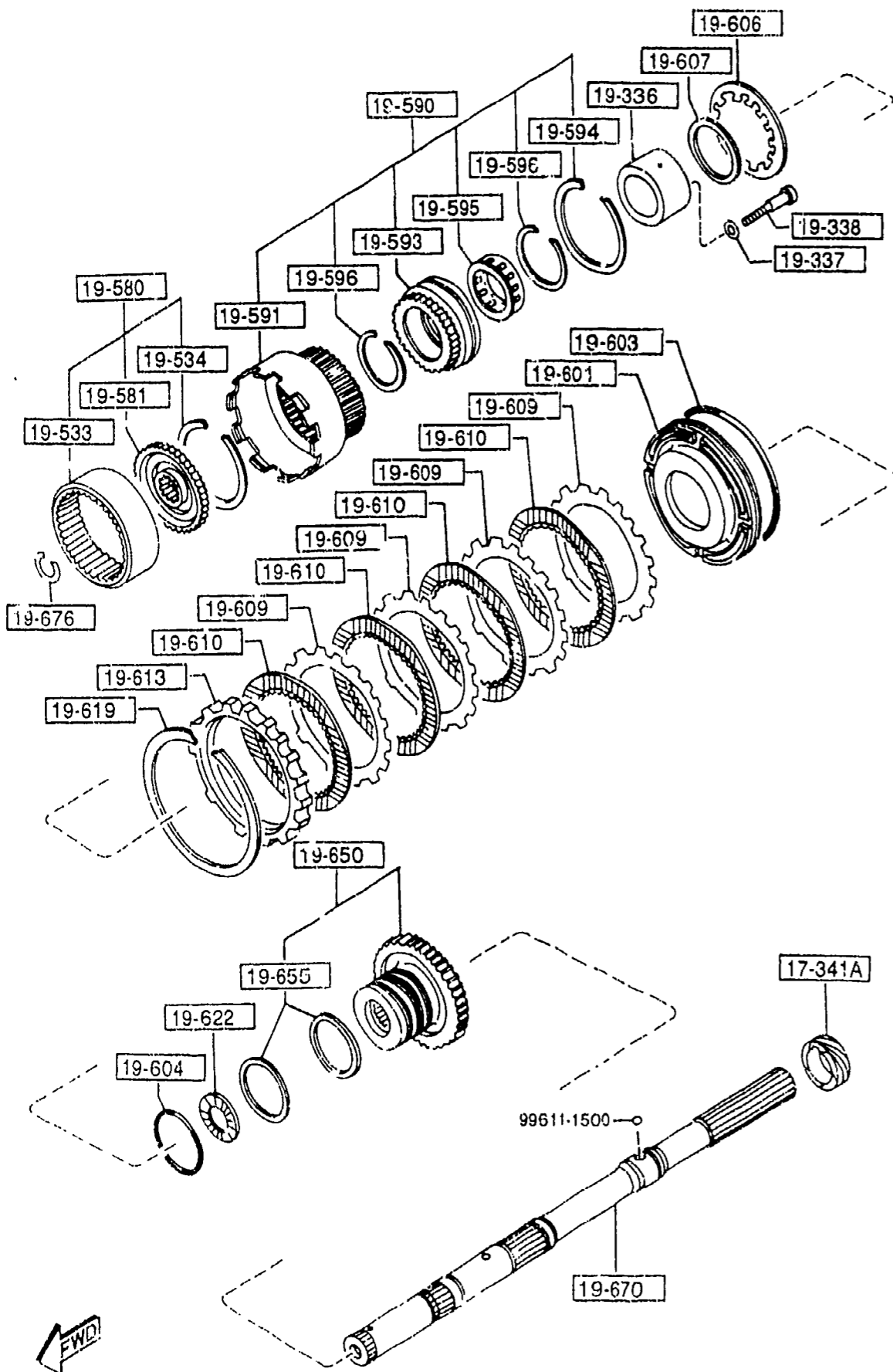
PART NO.	QTY	MODEL/RESTRICTION	MODEL/RESTRICTION	MODEL/RESTRICTION	FROM-TO
19-641A		WASHER			
BV03-19-6C1	1	T=0.8MM			
BV03-19-6C2	1	T=1MM			
BV03-19-6C3	1	T=1.2MM			
BV03-19-6C4	1	T=1.4MM			
BV03-19-6C5	1	T=1.6MM			
BV03-19-6C6	1	T=1.8MM			
BV03-19-6C7	1	T=2MM			
BV03-19-6C8	1	T=2.2MM			
21-5A1		SLEEVE, SEAL-O.D.CARRIER			
BV01-21-5A1	1				
21-5A2		RACE, SIDE-ONE WAY CLUTCH			
BV01-21-5A2	1	T=0.6MM			
BV01-21-5A3	1	T=0.8MM			
BV01-21-5A4	1	T=1MM			
BV01-21-5A5	1	T=1.2MM			
BV01-21-535	1	T=0.4MM			
21-510		CLUTCH, DIRECT			
BV01-21-510B	1				
21-520		DRUM, DIRECT			
BV01-21-530C	1				
21-531		HUB, O/DRIVE CLUTCH			
BV01-21-536	1				
21-534		RACE, OUTER-ONE WAY CLUTCH			
BV01-21-534	1				



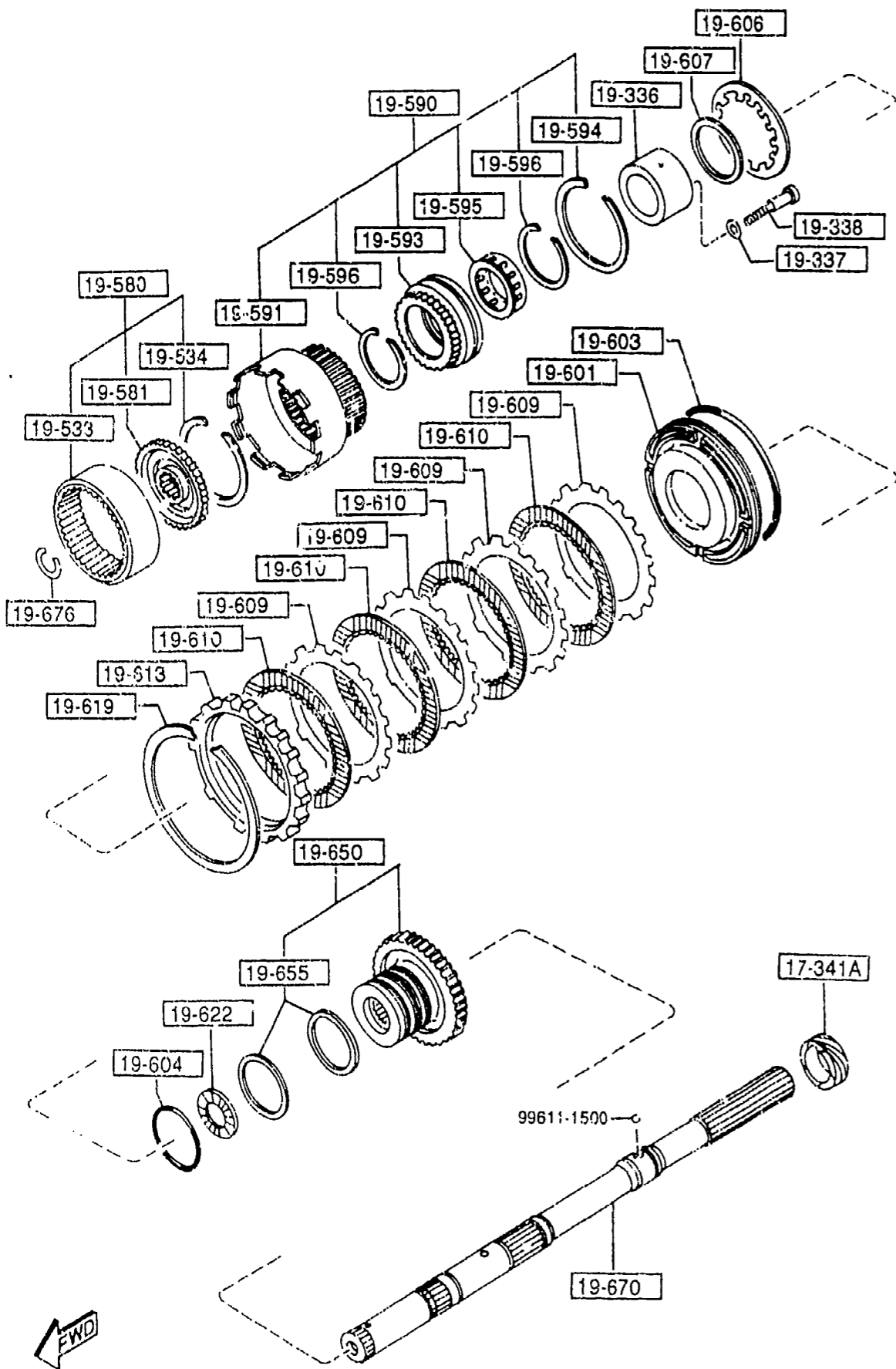
PART NO.	QTY	MODEL/RESTRICTION	MODEL/RESTRICTION	MODEL/RESTRICTION	FROM-TO
21-540		CARRIER, OVER DRIVE			
BV01-21-540B	1				
21-560		GEAR, OVER DRIVE			
BV01-21-560	1				
21-565		CONNECTING, SHELL			
BU03-21-565	1				
21-567		RING, SNAP			
BU03-21-567	1				
21-570		SUPPORT, CENTER			
BV01-21-570A	1				
21-590		CLUTCH, ONE WAY			
BV01-21-533	1				
21-631		RACE, BRG. HUB CLUTCH			
BU01-21-631	1	L=1.2MM			
BU01-21-632	1	L=1.4MM			
BU01-21-633	1	L=1.6MM			
BU01-21-634	1	L=1.8MM			
BU01-21-635	1	L=2.0MM			
BU01-21-636	1	L=2.2MM			
21-679		SHAFT, INTERMEDIATE			
BU01-21-679	1				
21-821		PLATE, RETAINING			
BV01-21-821A	1				



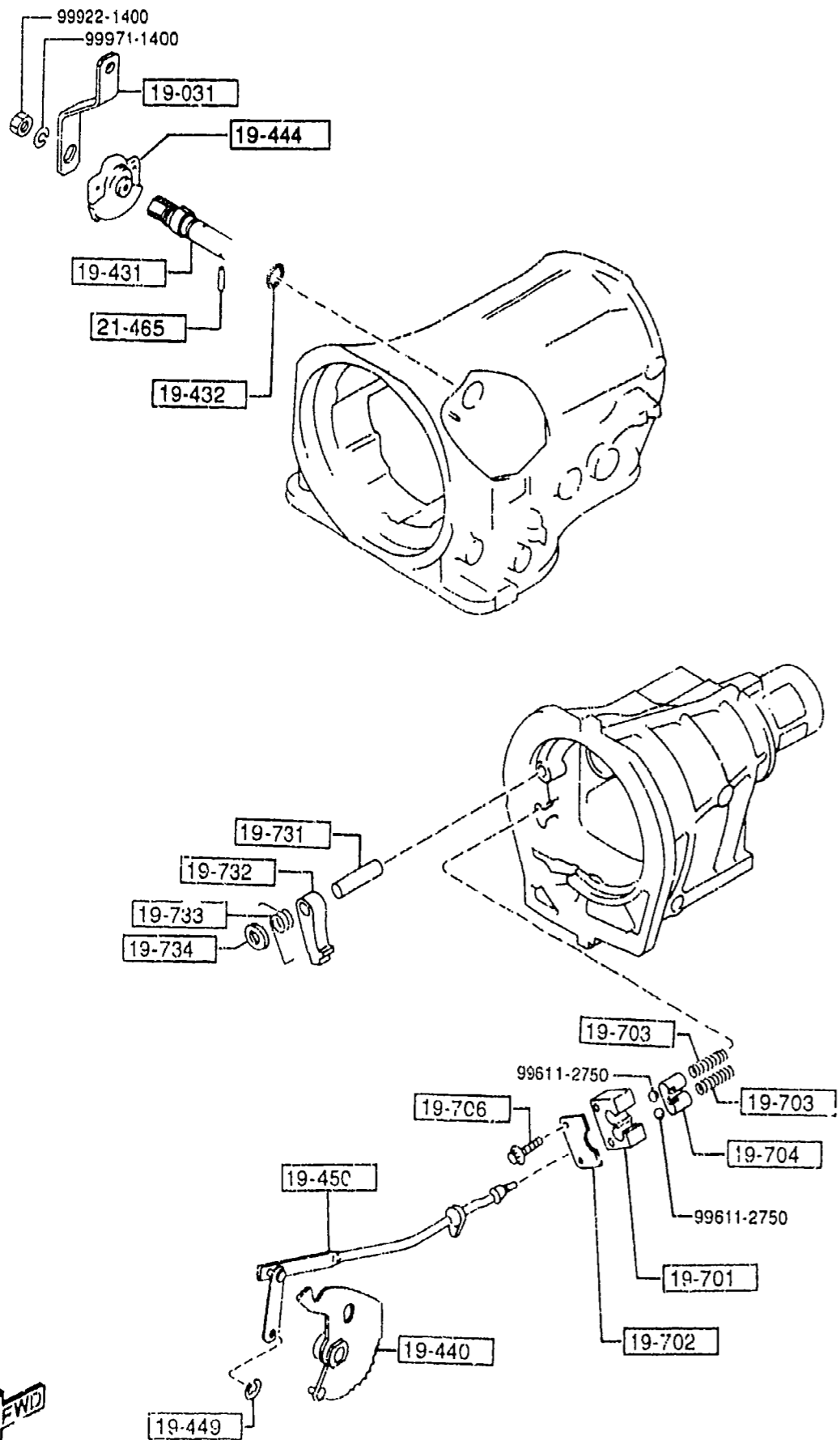
PART NO.	QTY	MODEL/RESTRICTION	MODEL/RESTRICTION	MODEL/RESTRICTION	FROM-TO
1281-17-341	1	17-341A GEAR, SPEEDO.DRIVE			
0338-19-336	1	19-336 RACE, INNER			
0338-19-337	8	19-337 WASHER, PLAIN			
0338-19-338	8	19-338 BOLT			
0338-19-533A	1	19-533 GEAR, INTERNAL			
0338-19-534	1	19-534 RING, SNAP			
0338-19-580	1	19-580 FLANGE			
0338-19-581	1	19-581 FLANGE, DRIVE			
0338-19-590	1	19-590 DRUM, CONNECTING			
0338-19-591	1	19-591 DRUM, CONNECTING			
0338-19-593	1	19-593 RACE, OUTER			
0338-19-594	1	19-594 RING, SNAP			
0338-19-595	1	19-595 CLUTCH, ONE WAY			
0338-19-596	2	19-596 RING, SNAP			



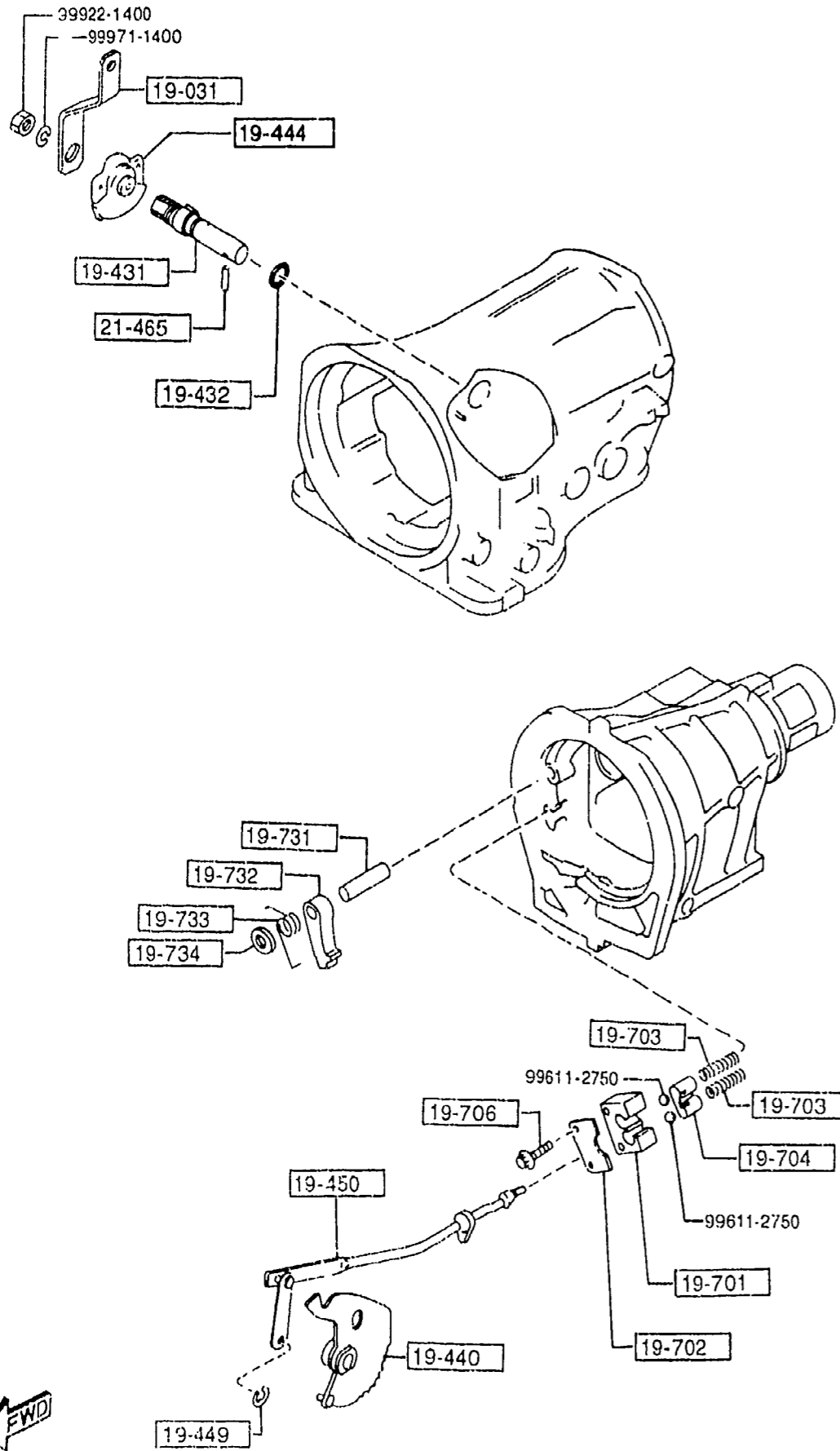
PART NO.	QTY	MODEL/RESTRICTION	MODEL/RESTRICTION	MODEL/RESTRICTION	FROM-TO
19-601		PISTON, LOW & REVERSE			
BT08-19-600	1				
19-603		SEAL, PISTON			
0338-19-603	1				
19-604		SEAL, O'RING			
0338-19-404	1				
19-606		SPRING, PISTON			
0338-19-606	1				
19-607		RING, SNAP			
0338-19-607	1				
19-609		PLATE, DRIVEN			
0338-19-609	4				
19-610		PLATE, DRIVE			
BU17-19-610	4				
19-613		PLATE, RETAINING			
0338-19-613A	1	T=11.8MM			
0338-19-614A	1	T=12MM			
0338-19-615A	1	T=12.2MM			
0338-19-616A	1	T=12.4MM			
0338-19-617A	1	T=12.6MM			
0338-19-618A	1	T=12.8MM			
19-619		RING, SNAP			
0338-19-619	1				
19-622		BEARING, NEEDLE			
BU91-19-622	1	D=34.7MM			
FT01-19-622	1	D=33.8MM			



PART NO.	QTY	MODEL/RESTRICTION	MODEL/RESTRICTION	MODEL/RESTRICTION	FROM-TO
19-650		DISTRIBUTOR, OIL			
BV01-19-650	1				
19-655		RING, SEAL			
BV01-19-655	2				
19-670		SHAFT			
BU55-19-670	1				
19-676		RING			
0338-19-676	1				



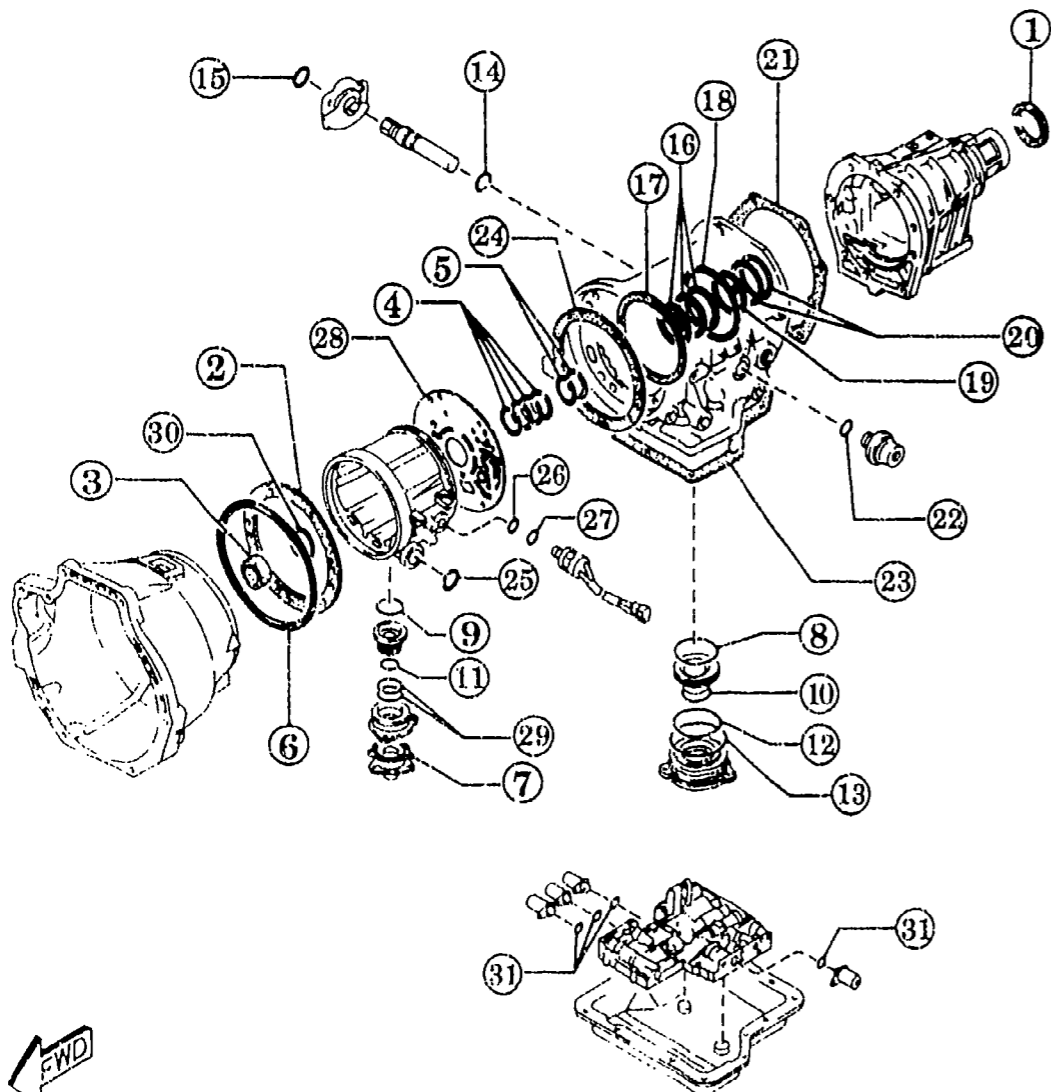
PART NO.	QTY	MODEL/RESTRICTION	MODEL/RESTRICTION	MODEL/RESTRICTION	FROM-TO
19-031		LEVER, SELECT			
BU55-19-031	1				
19-431		SHAFT, MANUAL			
BU67-19-431	1				
19-432		RING, 'O'			
0338-19-432	1				
19-440		PLATE, MANUAL			
BU56-19-440	1				
19-444		SWITCH, INHIBITOR			
N451-19-444	1				
19-449		RING, SNAP			
0338-19-449	1				
19-450		ROD, PARKING			
BU17-19-450	1				
19-701		SUPPORTER, ACTUATOR			
BU17-19-701	1				
19-702		PLATE, RETAINING			
0338-19-702A	1				
19-703		SPRING, BALL PARK			
BU17-19-703	2				
19-704		RETAINER			
BU17-19-704	1				
19-706		BOLT			
0338-19-706	1				
19-731		SHAFT, PARKING PAWL			
0338-19-731	1				
19-732		PAWL, PARKING			
BU17-19-732	1				



PART NO.	QTY	MODEL/RESTRICTION	MODEL/RESTRICTION	MODEL/RESTRICTION	FROM-TO
19-733		SPRING, PAWL RETURN			
0338-19-733C	1				
19-734		SPACER, DOWEL			
0338-19-734A	1				
21-465		PIN, SPRING-PARKING R OD			
BU67-21-465	1				

22-900

- 1-SEAL, OIL..... (1)
- 2-GASKET, OIL PUMP..... (1)
- 3-SEAL, OIL..... (1)
- 4-RING, SEAL..... (4)
- 5-RING, SEAL..... (2)
- 6-SEAL, CUT RING..... (1)
- 7-GASKET..... (1)
- 8-SEAL, PISTON..... (1)
- 9-SEAL, PISTON..... (1)
- 10-SEAL, PISTON..... (1)
- 11-SEAL, PISTON..... (1)
- 12-SEAL, LATHE CUT..... (1)
- 13-RING, "O"..... (1)
- 14-RING, "O"..... (1)
- 15-RING, "O"..... (1)
- 16-SEAL, "O" RING..... (3)
- 17-SEAL, LATHE CUT..... (1)
- 18-SEAL, PISTON..... (1)
- 19-SEAL, "O" RING..... (1)
- 20-RING, SEAL..... (2)
- 21-GASKET, EXTENTION..... (1)
- 22-SEAL, "O" RING..... (1)
- 23-GASKET, OIL PAN..... (1)
- 24-GASKET, DRUM SUPPORT..... (1)
- 25-RING, "O"..... (1)
- 26-RING, "O"..... (1)
- 27-RING, "O"..... (1)
- 28-GASKET, O/DRIVE CASE..... (1)
- 29-RING, "O"..... (2)
- 30-RING, "O"..... (1)
- 31-RING, "O"..... (4)



PART NO.	QTY	MODEL /RESTRICTION	MODEL/RESTRICTION	MODEL /RESTRICTION	FROM-TO
22-900					
N451-22-900	1		GASKET & SEAL KIT		

ENGINE



CHASSIS

ENGINE



CHASSIS

ENGINE



CHASSIS

ENGINE



CHASSIS

ENGINE

CHASSIS

ENGINE



CHASSIS

ENGINE

CHASSIS

ENGINE

ENGINE

CHASSIS

ENGINE



CHASSIS

ENGINE



CHASSIS

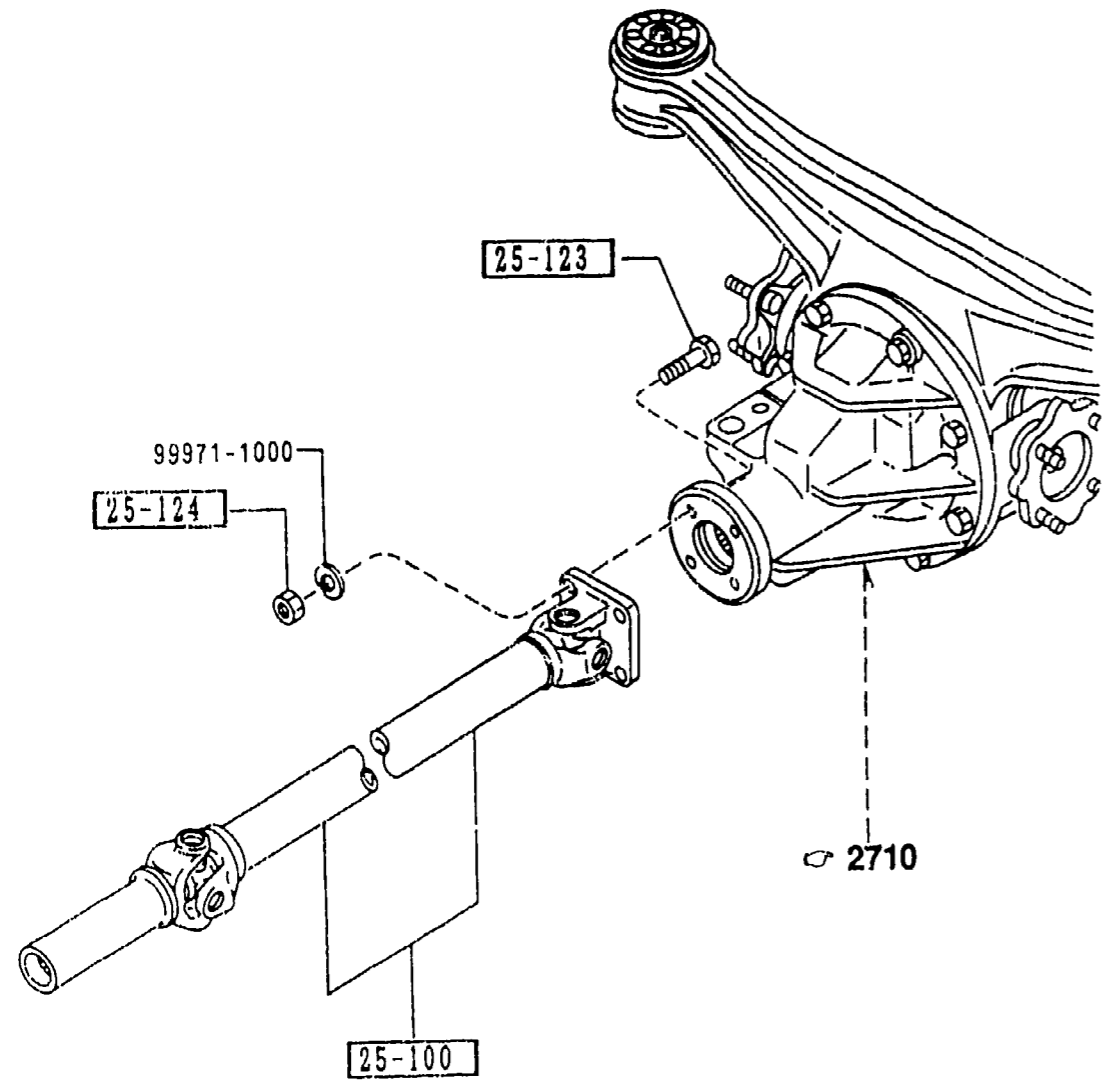
ENGINE



CHASSIS

ENGINE

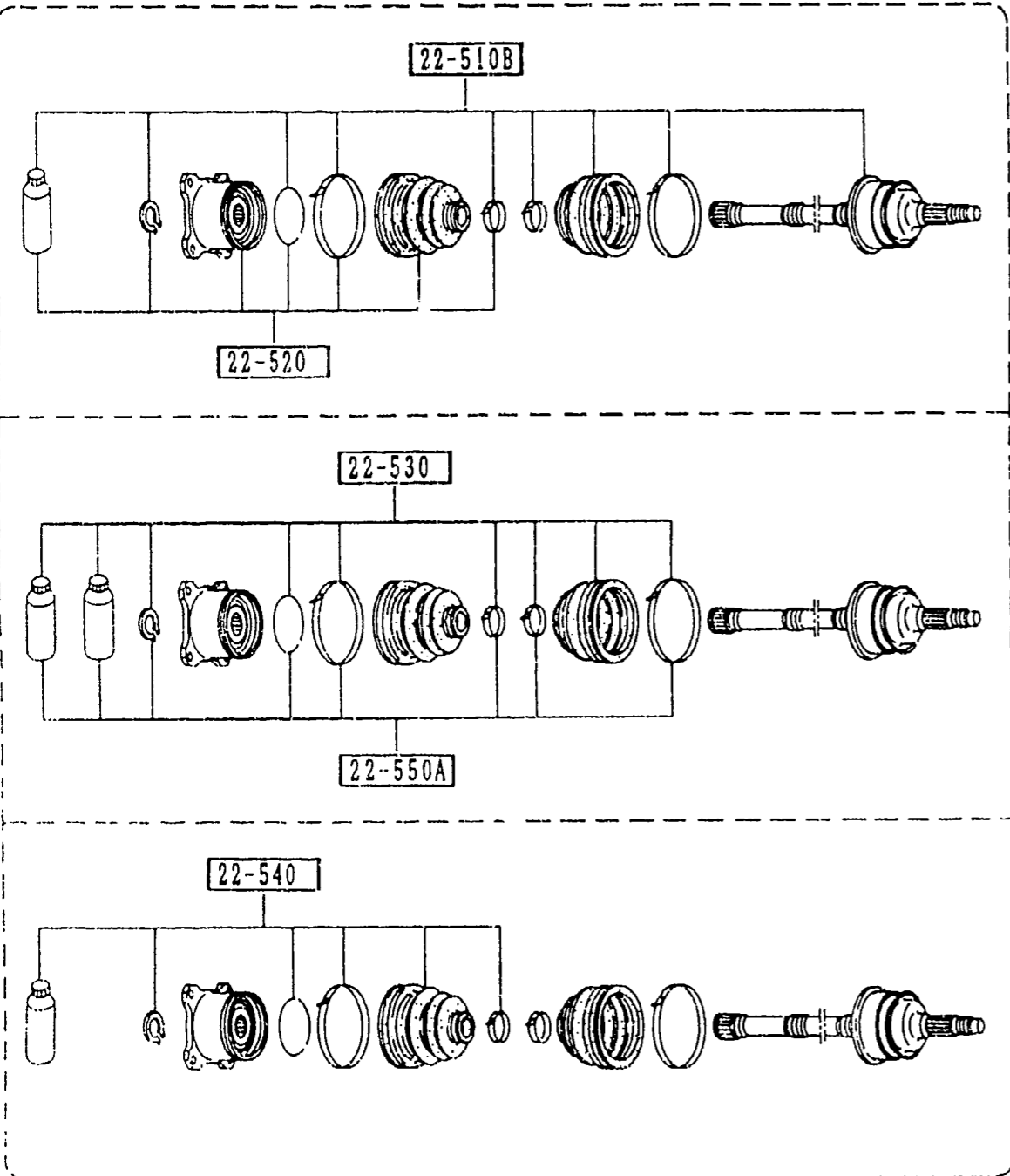
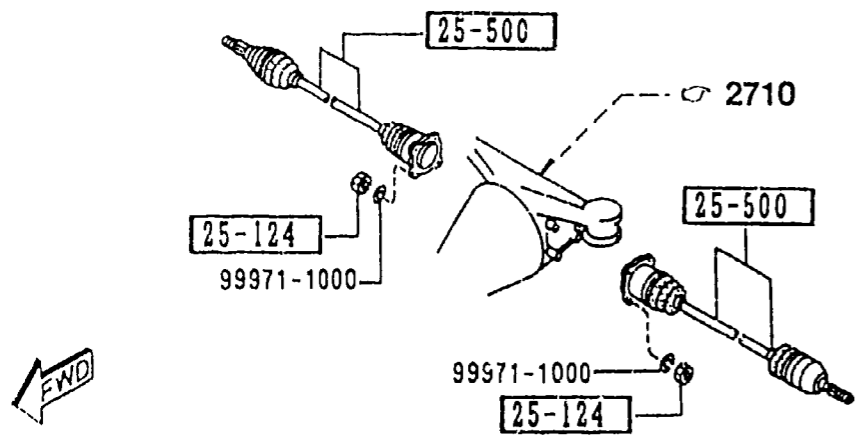
CHASSIS



PART NO.	QTY	MODEL/RESTRICTION	MODEL/RESTRICTION	MODEL/RESTRICTION	FROM-TO
25-100		SHAFT, PROPELLER-FRT			
MF04-25-100	1				
25-123		BOLT			
P011-25-123	4				
25-124		NUT			
1368-25-124	4				

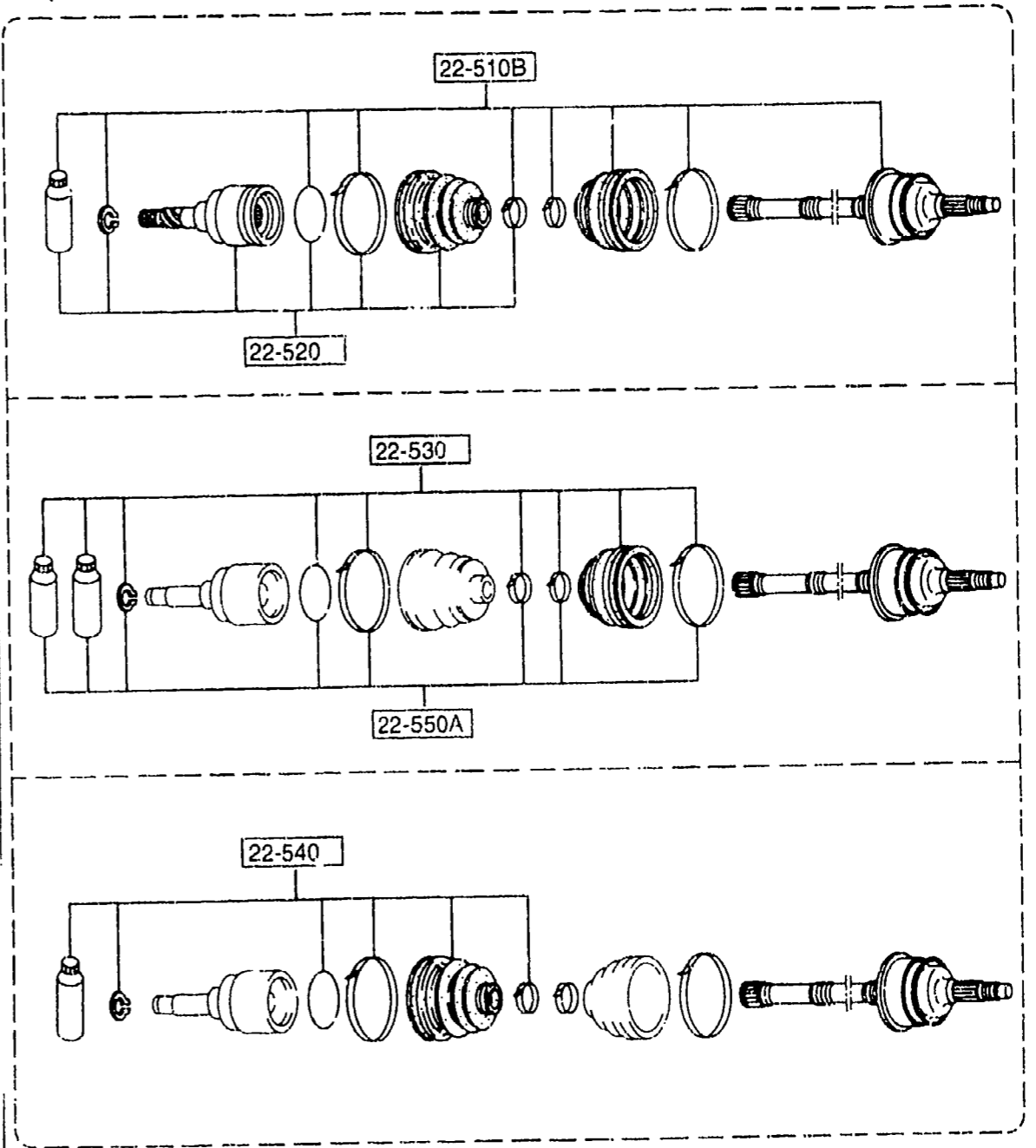
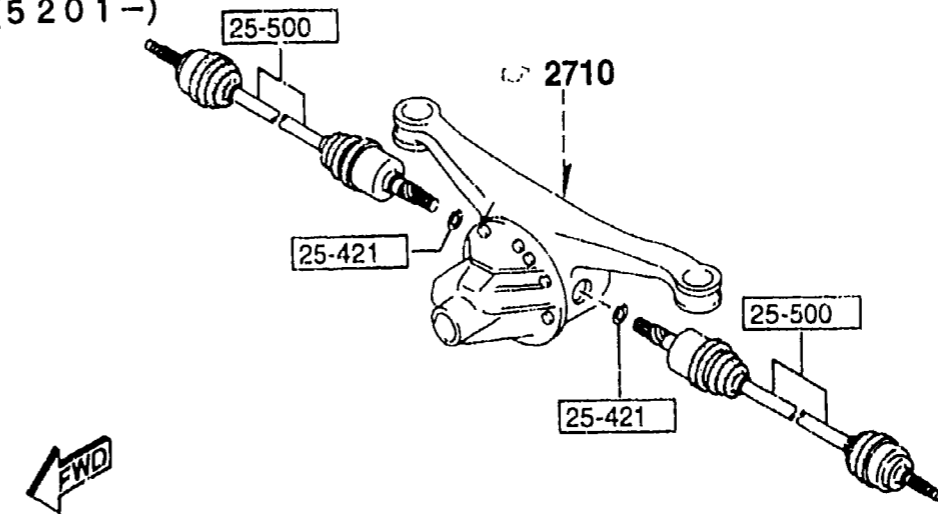


(-5201)



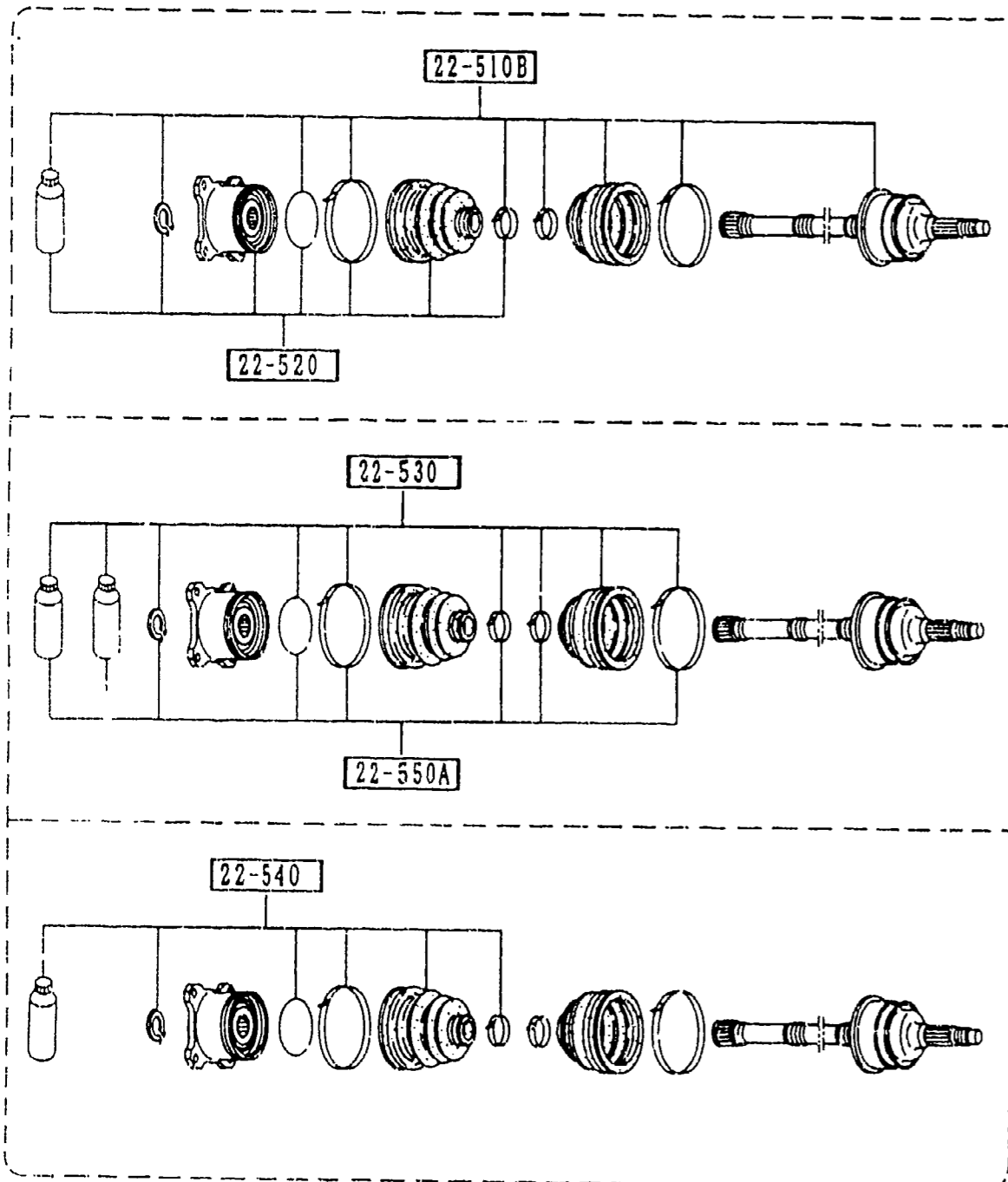
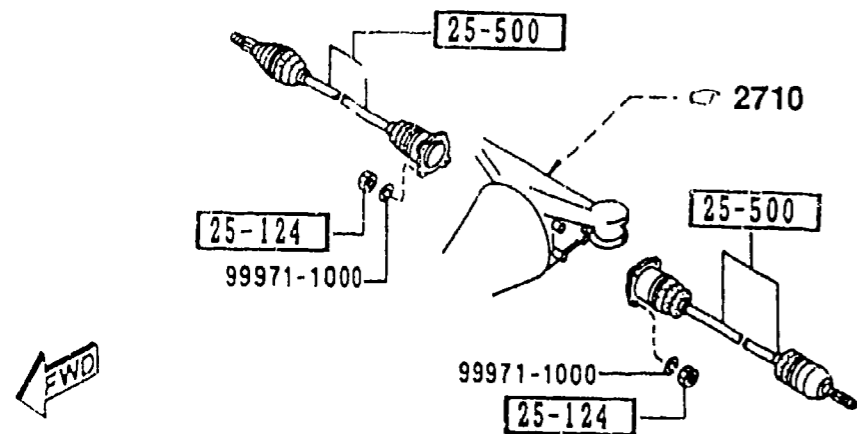
AUNA05

(5201-)

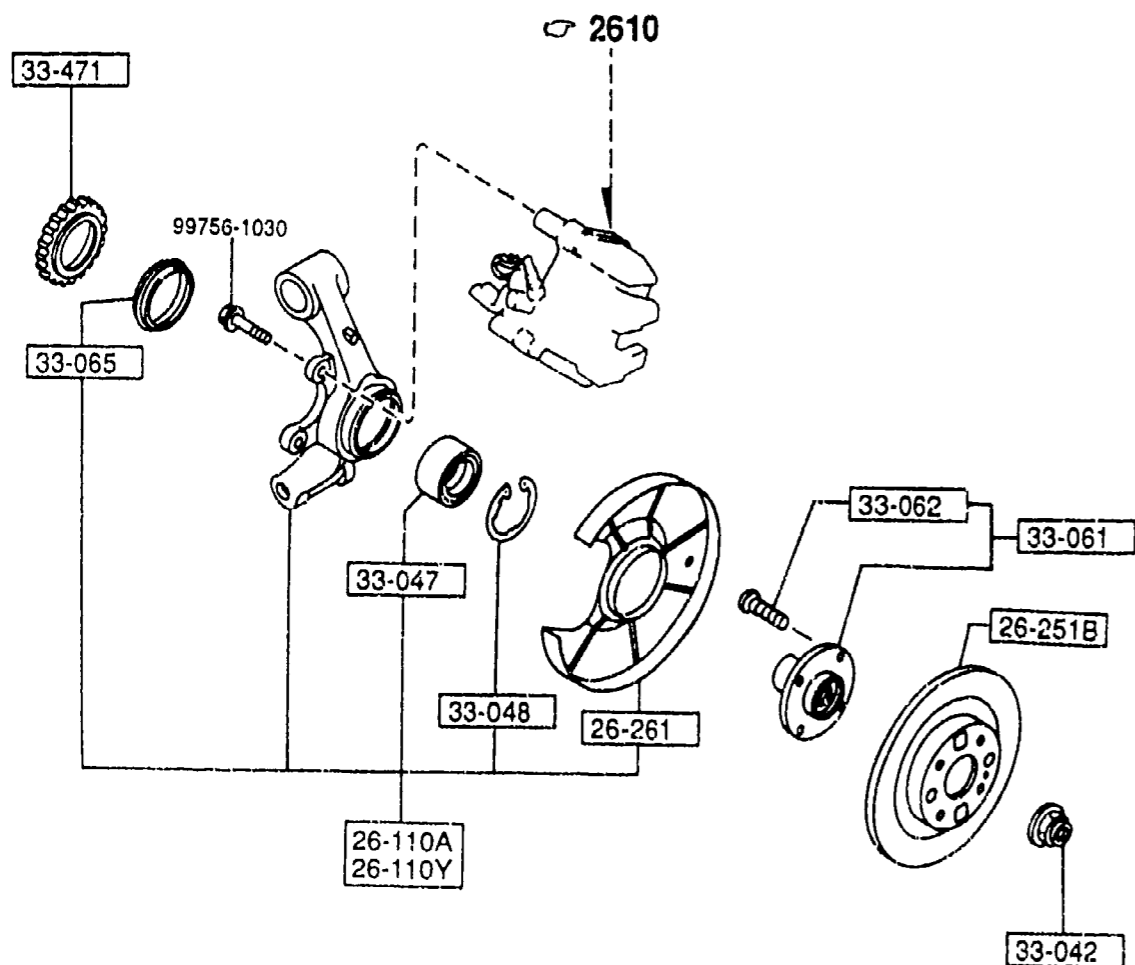


AUNA05

(-5201)



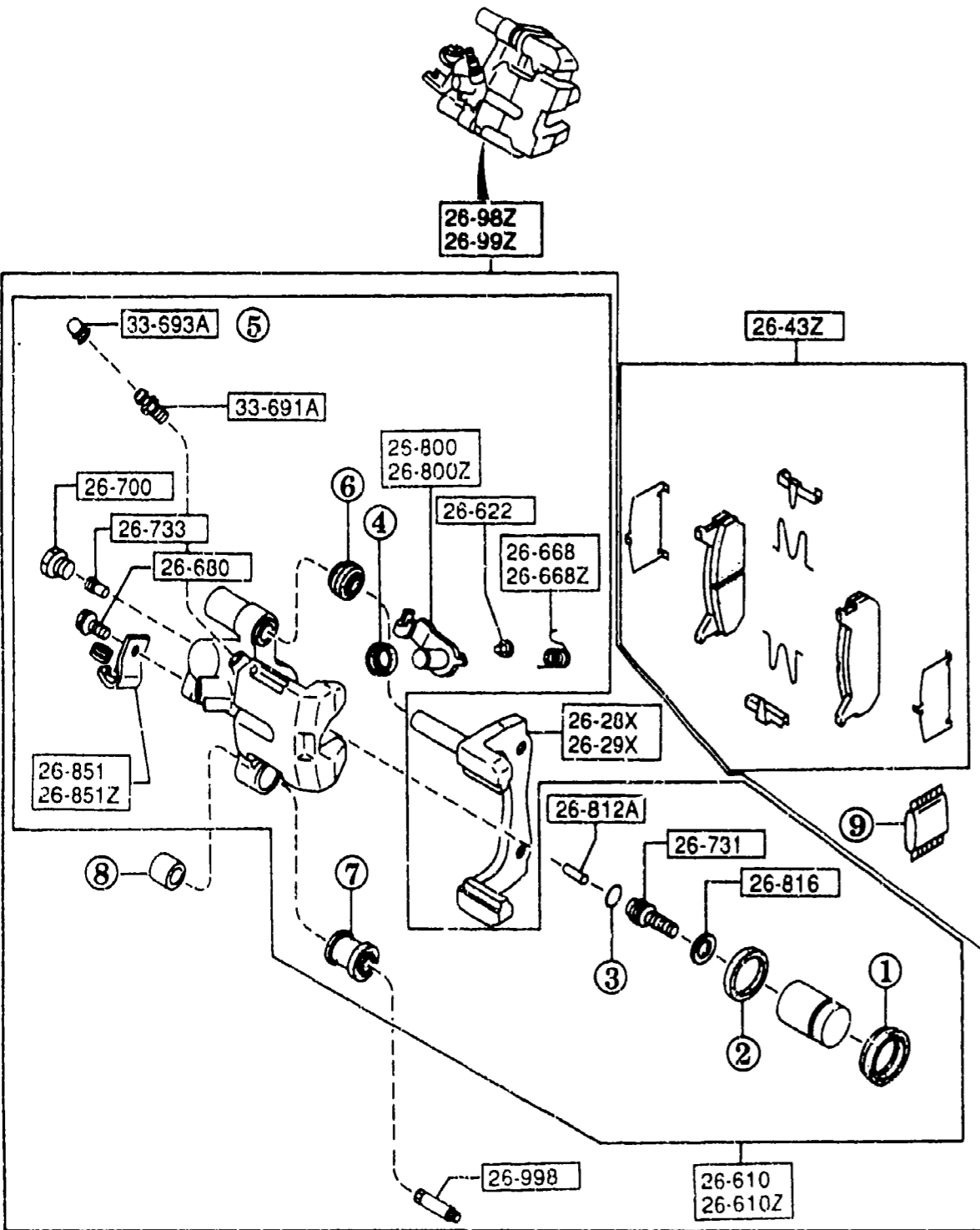
PART NO.	QTY	MODEL/RESTRICTION	MODEL/RESTRICTION	MODEL/RESTRICTION	FROM-TO
22-510B		JOINT SET, OUTER			
MD02-22-510 A (MD02-22-510A)	2	(W/O A. LOCK BRAKE)			-5201
MD03-22-510 A (MD03-22-510A)	2	(W/A. LOCK BRAKE)			-5201
ML02-22-510A	2	(W/O A. LOCK BRAKE)			5201-
MD03-22-510A	2	(W/A. LOCK BRAKE)			5201-
22-520		JOINT SET, INNER			
MD02-22-520 A (MD02-22-520A)	2				-5201
MD02-22-520A	2				5201-
22-530		BOOT SET, OUTER JOINT			
M090-22-530	2				
22-540		BOOT SET, INNER JOINT			
M090-22-540	2				
22-550A		CLIP SET, DRIVE SHAFT			
M090-22-550	2				
25-124		NUT			
1368-25-124	8				-5201
25-421		CLIP			
0003-25-421	2				5201-
25-500		SHAFT, DRIVE			
MD02-25-500	2	(W/O A. LOCK BRAKE)			-5201
MD03-25-500	2	(W/A. LOCK BRAKE)			-5201
MD02-25-500B	2	(W/O A. LOCK BRAKE)			5201-
MD03-25-500B	2	(W/A. LOCK BRAKE)			5201-
5201 NA35* -614193					



PART NO.	QTY	MODEL/RESTRICTION	MODEL/RESTRICTION	MODEL/RESTRICTION	FROM-TO
26-110A		+			
NA75-26-130	1	KNUCKLE(R), REAR (W/C A. LOCK BRAKE)			
NA80-26-130	1	KNUCKLE(R), REAR (W/A. LOCK BRAKE)			
26-110Y		+			
NA75-26-140	1	KNUCKLE(L), REAR (W/O A. LOCK BRAKE)			
NA80-26-140	1	KNUCKLE(L), REAR (W/A. LOCK BRAKE)			
26-251B		+			
BR74-26-251B	2	PLATE, DISC			
26-261		+			
B530-26-261B	2	COVER, DUST			
33-042		+			
D06Y-33-042	2	NUT W/WASHER			
33-047		+			
B455-33-047B A (B455-33-047C)	2	BEARING, WHEEL			-6624
*B455-33-047C	2				6624-
33-048		+			
H260-33-048	2	RING, RETAINING-DISC PLATE			
33-061		+			
B01A-33-060 A (B01A-33-060A)	2	HUB, WHEEL			-4C01
B01A-33-060A	2				4C01-
33-062		+			
B01Y-33-062	8	BOLT, HUB			
33-065		+			
G304-33-065	2	SEAL, OIL-AXLE			
33-471		+			
B603-33-471	2	ROTOR, SENSOR-FRT A.B.S.			

4C01 NA35* -609691
6624 NA3** -719627



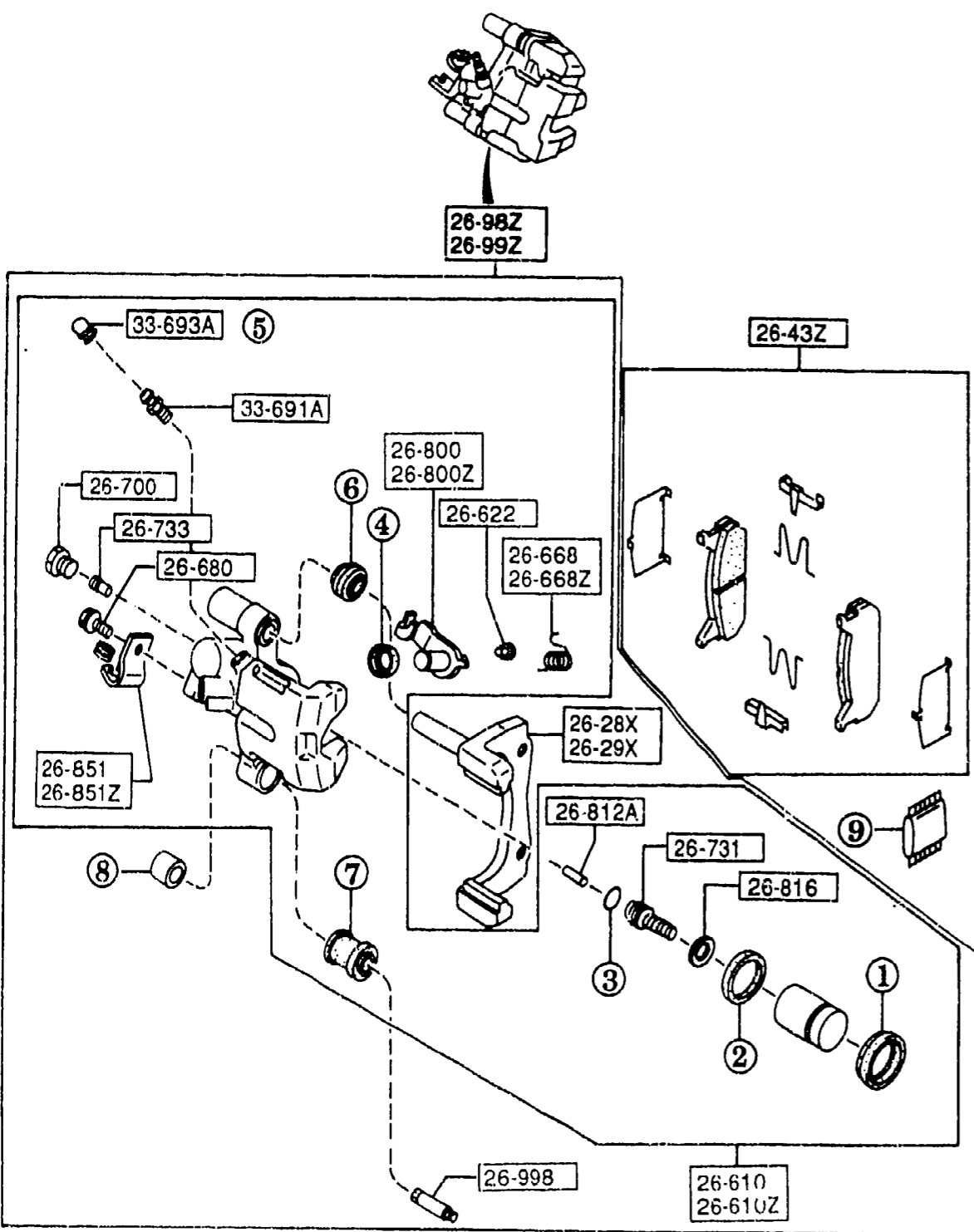


NOTE
 ① ... ⑨ → 26-46Z
 THE D-CODE OF 26-46Z CONSISTS OF
 FIGURE NUMBERS ① THROUGH ⑨.

THOUGH ILLUSTRATIONS OF D-CODE 26-43Z AND 26-46Z ARE FOR LEFT SIDE ONLY.
 QUANTITIES OF THESE D-CODES IN THE TEXT ARE FOR ONE VEHICLE.

PART NO.	QTY	MODEL/RESTRICTION	MODEL/RESTRICTION	MODEL/RESTRICTION	FROM-TO
26-28X NA75-26-28X	1	SUPPORT(R), MOUNTING			
26-29X NA75-26-29X	1	SUPPORT(L), MOUNTING			
26-43Z NA75-26-43Z AN(NAY5-26-43ZA)	1	PAD SET, RR CALIPER			-5C01
*NAY5-26-43ZA	1				5C01-
26-46Z NAY1-26-46ZA	1	SEAL & BOOT SET, CAL. -RR			
26-610 NA75-26-61XA A (NA75-26-61XB)	1	BODY & PISTON(R), CALIPER			-5901
NA75-26-61XB	1				5901-
26-610Z NA75-26-71XA A (NA75-26-71XB)	1	BODY & PISTON(L), CALIPER			-5901
NA75-26-71XB	1				5901-
26-622 BWOH-26-696	2	PIN, STOPPER-RR CALIPER			
26-668 BWOH-26-668	1	SPRING(R), LEVER			
26-668Z BWOH-26-669	1	SPRING(L), LEVER			
26-680 BWOH-26-680	2	BOLT			
26-700 BWOH-26-700	2	PLUG, SCREW			
26-731 GAZE-26-731	2	SPINDLE, ADJUSTER			-5201

5201 NA35* -614193
 5901 NA3** -702989
 5C01 NA3** -706448



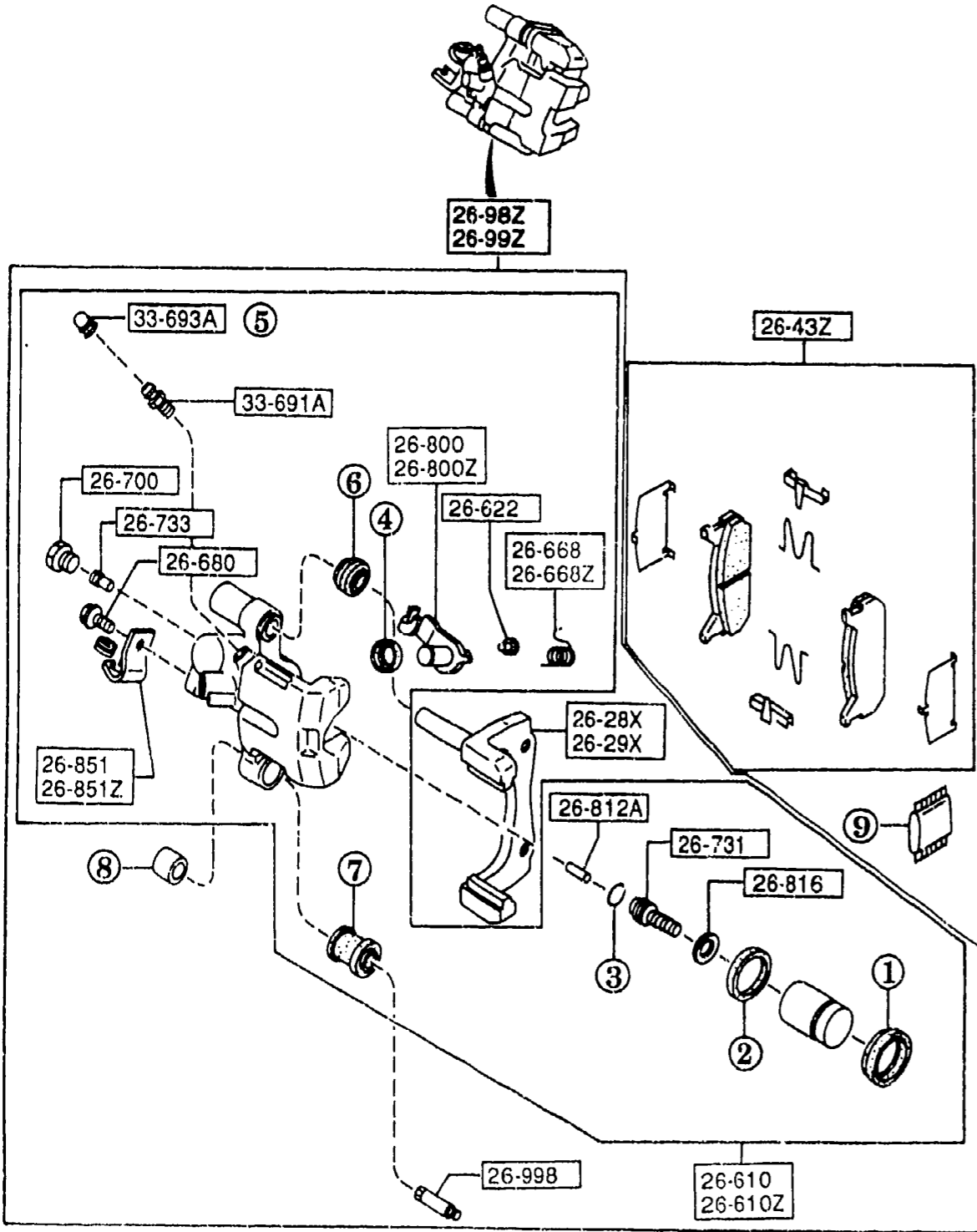
NOTE
 ① ... ⑨ ⇨ 26-46Z
 THE D-CODE OF 26-46Z CONSISTS OF
 FIGURE NUMBERS ① THROUGH ⑨.



THOUGH ILLUSTRATIONS OF D-CODE 26-43Z AND 26-46Z ARE FOR LEFT SIDE ONLY.
 QUANTITIES OF THESE D-CODES IN THE TEXT ARE FOR ONE VEHICLE.

PART NO.	QTY	MODEL/RESTRICTION	MODEL/RESTRICTION	MODEL/RESTRICTION	FROM-TO
CONT'D NA75-26-731	2				5201-
+-----+ 26-733 +-----+		GEAR, ADJUST			
BWOH-26-733	2				
+-----+ 26-800 +-----+		LEVER(R), OPERATING			
BR76-26-800 A (BR76-26-800A)	1				-5901
BR76-26-800A	1				5901-
+-----+ 26-800Z +-----+		LEVER(L), OPERATING			
BR76-26-810 A (BR76-26-810A)	1				-5901
BR76-26-810A	1				5901-
+-----+ 26-812A +-----+		ROD, PUSH-FRT CALIPER			
BWOH-26-812	2				
+-----+ 26-816 +-----+		RING, SNAP-RR CALIPER			
GAZE-26-816	2				
+-----+ 26-851 +-----+		BRACKET(R), CABLE			
BWOH-26-851	1				
+-----+ 26-851Z +-----+		BRACKET(L), CABLE			
BWOH-26-861	1				
+-----+ 26-98Z +-----+		CALIPER(R), PADLESS-R R			
*NAZ5-26-98ZA A (NAZ5-26-98ZB)	1				-5901
*NAZ5-26-98ZB	1				5901-
+-----+ 26-99Z +-----+		CALIPER(L), PADLESS-R R			
*NAZ5-26-99ZA A (NAZ5-26-99ZB)	1				-5901
*NAZ5-26-99ZB	1				5901-
+-----+ 26-998 +-----+		PIN, GUIDE			
BWOH-26-998A	2				
+-----+ 33-691A +-----+		SCREW, BLEEDER			
BWOH-26-691	2				

5201 NA35* -614193
 5901 NA3** -702989



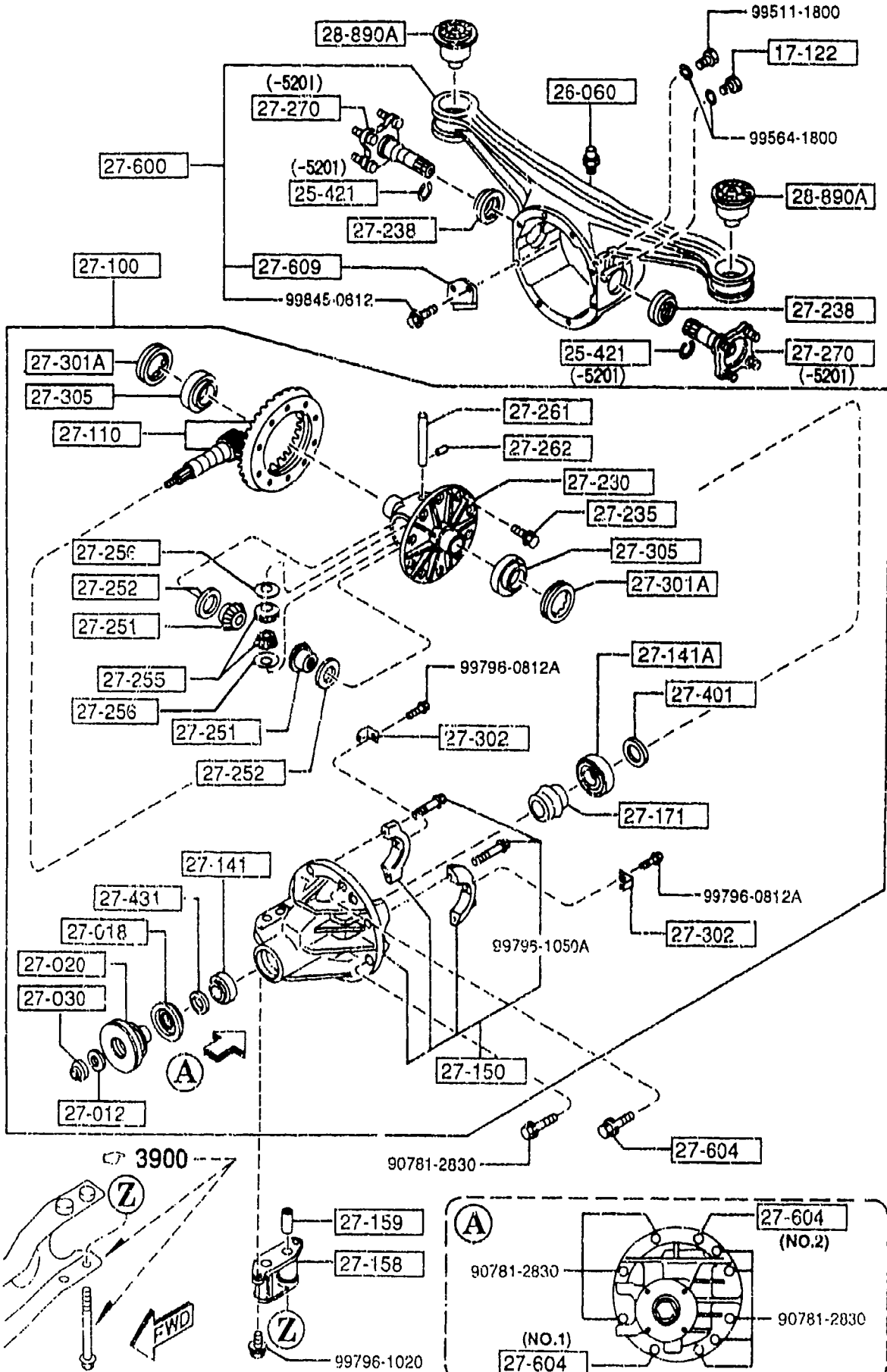
NOTE
 ① ... ⑨ ⇒ 26-46Z
 THE D-CODE OF 26-46Z CONSISTS OF
 FIGURE NUMBERS ① THROUGH ⑨.

THOUGH ILLUSTRATIONS OF D-CODE 26-43Z AND 26-46Z ARE FOR LEFT SIDE ONLY,
 QUANTITIES OF THESE D-CODES IN THE TEXT ARE FOR ONE VEHICLE.

PART NO.	QTY	MODEL/RESTRICTION	MODEL/RESTRICTION	MODEL/RESTRICTION	FROM-TO
+-----+ 33-693A +-----+ 0259-33-693	2	CAP, BLEEDER SCREW			

2710 REAR DIFFERENTIALS (NORMAL DIFF.)

2710 -1 REAR DIFFERENTIALS (NORMAL DIFF.)

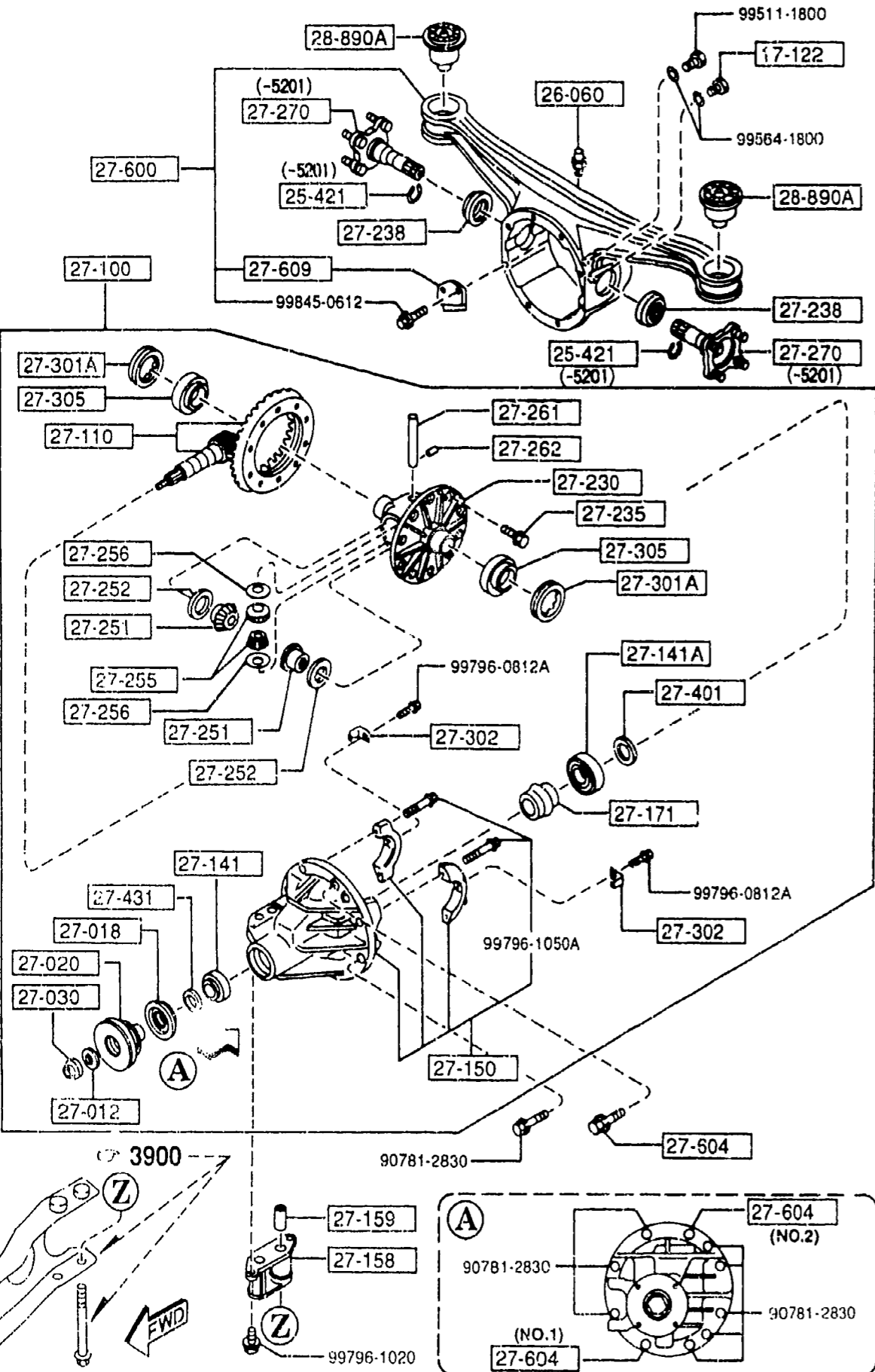


PART NO.	QTY	MODEL/RESTRICTION	MODEL/RESTRICTION	MODEL/RESTRICTION	FROM - TO
17-122		PLUG, MAGNET			
9810-17-121	1				
25-421		CLIP			
6003-25-421	2				-5201
26-060		BREATHER			
0730-26-060	1				
27-012		WASHER			
0223-27-012	1				
27-018		SEAL, OIL			
MA02-27-165	1				-5508
MA02-27-165A	1				5508-
27-020		FLANGE, COMPANION			
MA02-27-120	1 (AT)				-5508
MA03-27-120	1 (MT)				-5508
MA02-27-120A	1 (AT)				5508-
MA03-27-120A	1 (MT)				5508-
27-030		NUT, LOCK			
0223-27-030	1				
27-100		DRIVING & DIFF.			
MA02-27-100	1 (AT)				
MA03-27-100A	1 (MT)				
27-110		GEAR SET, FINAL			
M068-27-110A	1	R=4.100			
27-141		BEARING, PINION			
0755-27-210	1				
27-141A		BEARING, PINION			
M025-27-210	1				
27-150		CARRIER, DIFFERENTIAL			

5201 NA35* -614193
5508 NA35* -620210

2710 REAR DIFFERENTIALS (NORMAL DIFF.)

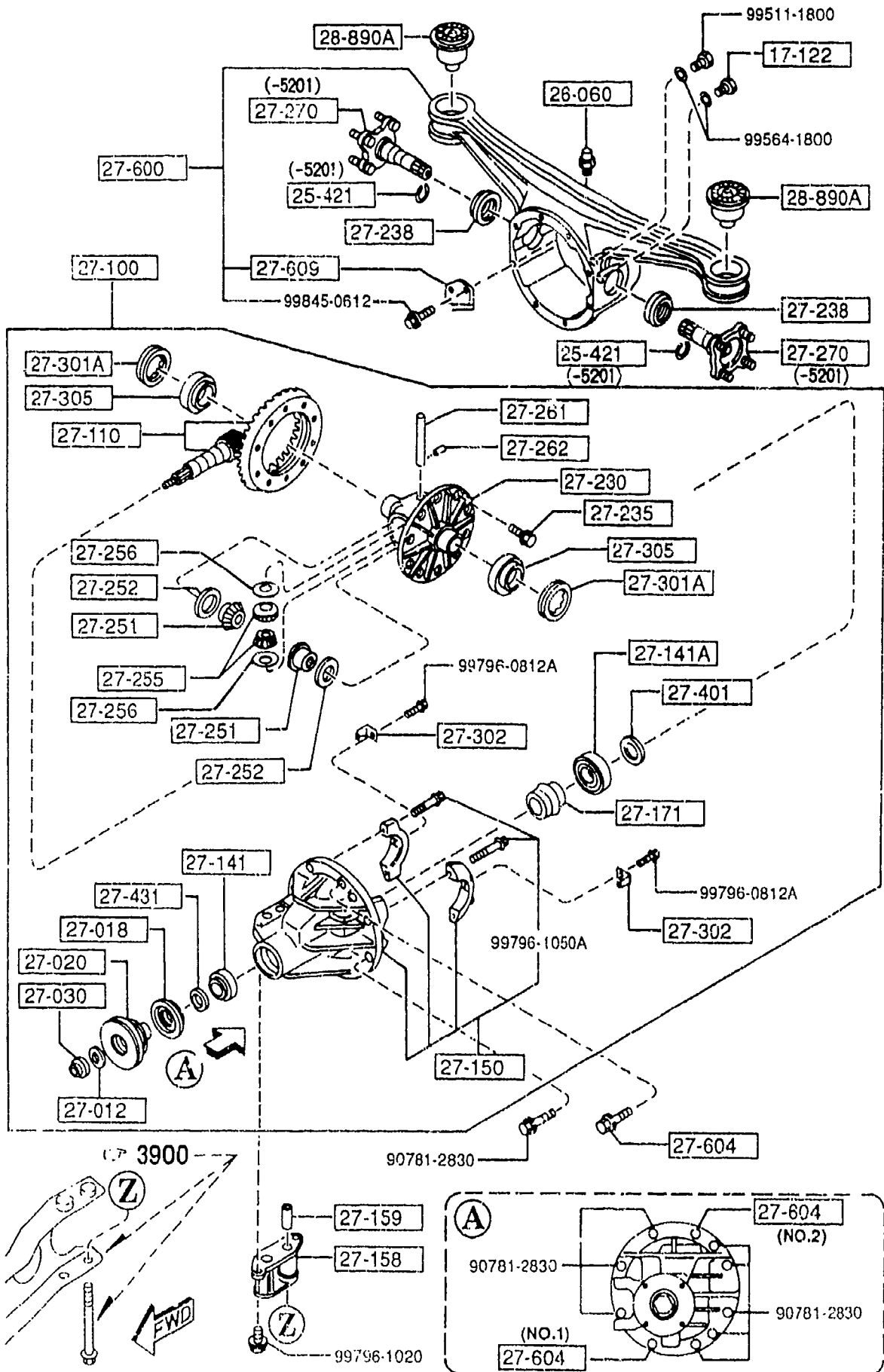
2710 -2 REAR DIFFERENTIALS (NORMAL DIFF.)



PART NO.	QTY	MODEL/RESTRICTION	MODEL/RESTRICTION	MODEL/RESTRICTION	FROM-TO
CONT'D					
MA02-27-150	1				-6601
A (MA02-27-150A)					
*MA02-27-150A	1				6601-
+-----+					
27-158		SPACE			
+-----+					
T020-27-158A	1				
+-----+					
27-159		PIN, TUBULAR			
+-----+					
T020-27-159A	1				-4901
MA02-27-159	1				4901-
+-----+					
27-171		PIECE, DISTANCE			
+-----+					
M035-27-171	1				
+-----+					
27-230		CASE			
+-----+					
M069-27-231	1				
+-----+					
27-235		BOLT, RING GEAR			
+-----+					
8051-27-235	10	D=10.0MM			
8051-27-236	10	D=10.2MM			
+-----+					
27-238		SEAL, OIL			
+-----+					
MA02-27-238	2				
+-----+					
27-251		GEAR, DIFF. SIDE			
+-----+					
M069-27-251	2				
+-----+					
27-252		WASHER			
+-----+					
0290-27-252	2	T=2MM			
0290-27-253	2	T=2.1MM			
0290-27-254	2	T=2.2MM			
0290-27-256	2	T=2.05MM			
0290-27-259	2	T=2.15MM			
+-----+					
27-255		PINION, DIFFERENTIAL			
+-----+					
M025-27-255B	2				-6301

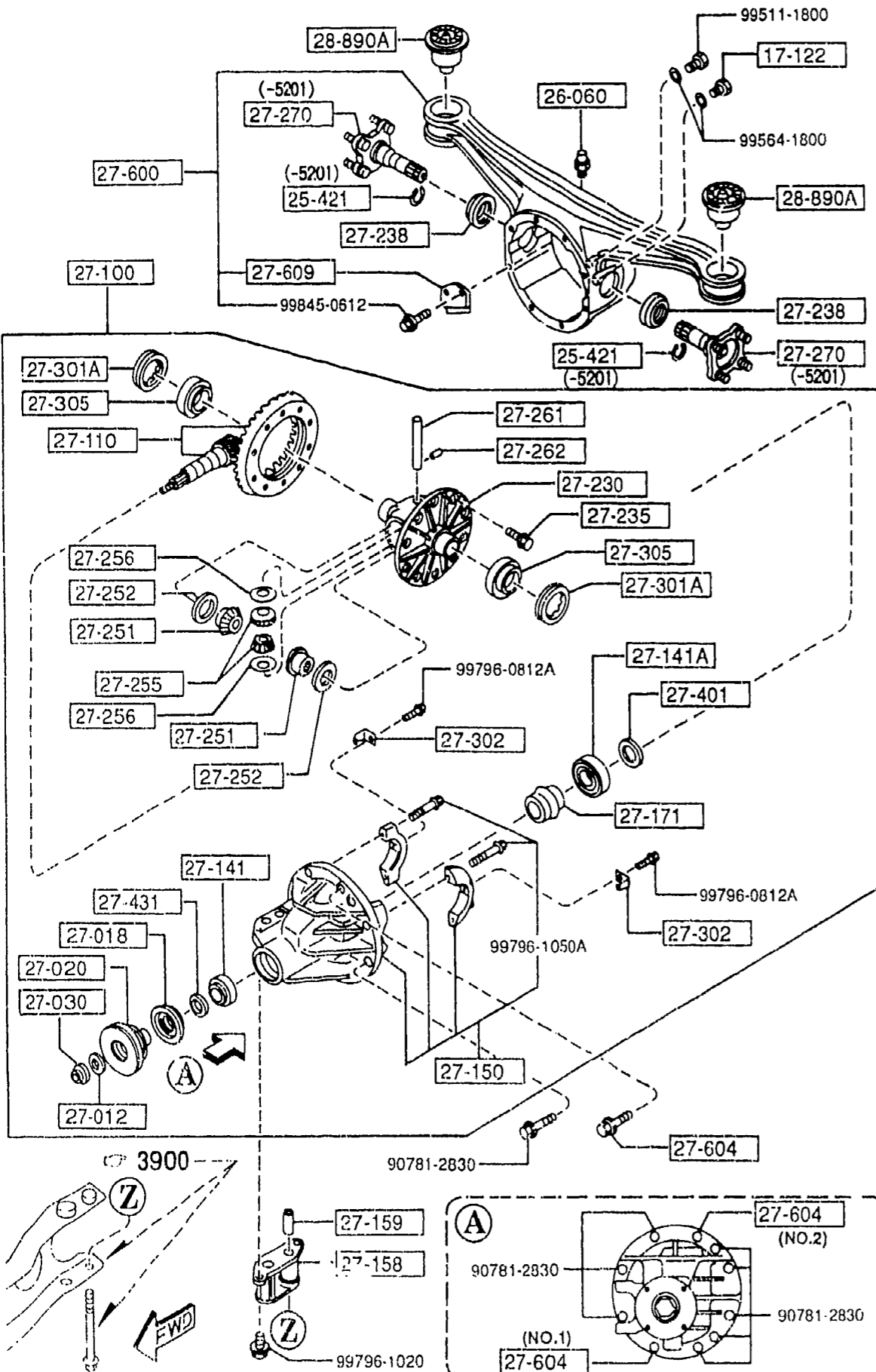
4901 NA35* -602618
 6301 NA3** -714662
 6601 NA3** -719621

2710 REAR DIFFERENTIALS
(NORMAL DIFF.)



2710 -3 REAR DIFFERENTIALS
(NORMAL DIFF.)

PART NO.	QTY	MODEL/RESTRICTION	MODEL/RESTRICTION	MODEL/RESTRICTION	FROM-TO
CONT'D					
A (M025-27-255C)					
*M025-27-255C	2				6301-
27-256		WASHER, THRUST			
M025-27-256	2	T=2.0MM			
27-261		SHAFT, DIFF. PINION			
M025-27-261A	1				
27-262		PIN			
0114-27-262	1				
27-270		YOKE, DIFFERENTIAL			
M055-27-270C	2				-5201
27-301A		SCREW, ADJUST			
0290-27-301	2				
27-302		PLATE, LOCK			
0290-27-302	2				
27-305		BEARING			
0221-27-350	2				
27-401		SPACER			
0223-27-401A	1	T=3.08MM			
0223-27-402A	1	T=3.11MM			
0223-27-403A	1	T=3.14MM			
0223-27-404A	1	T=3.17MM			
0223-27-405A	1	T=3.2MM			
0223-27-406A	1	T=3.23MM			
0223-27-407A	1	T=3.26MM			
0223-27-408A	1	T=3.29MM			
0223-27-409A	1	T=3.32MM			
5201 NA35* -614193					
6301 NA3** -714662					

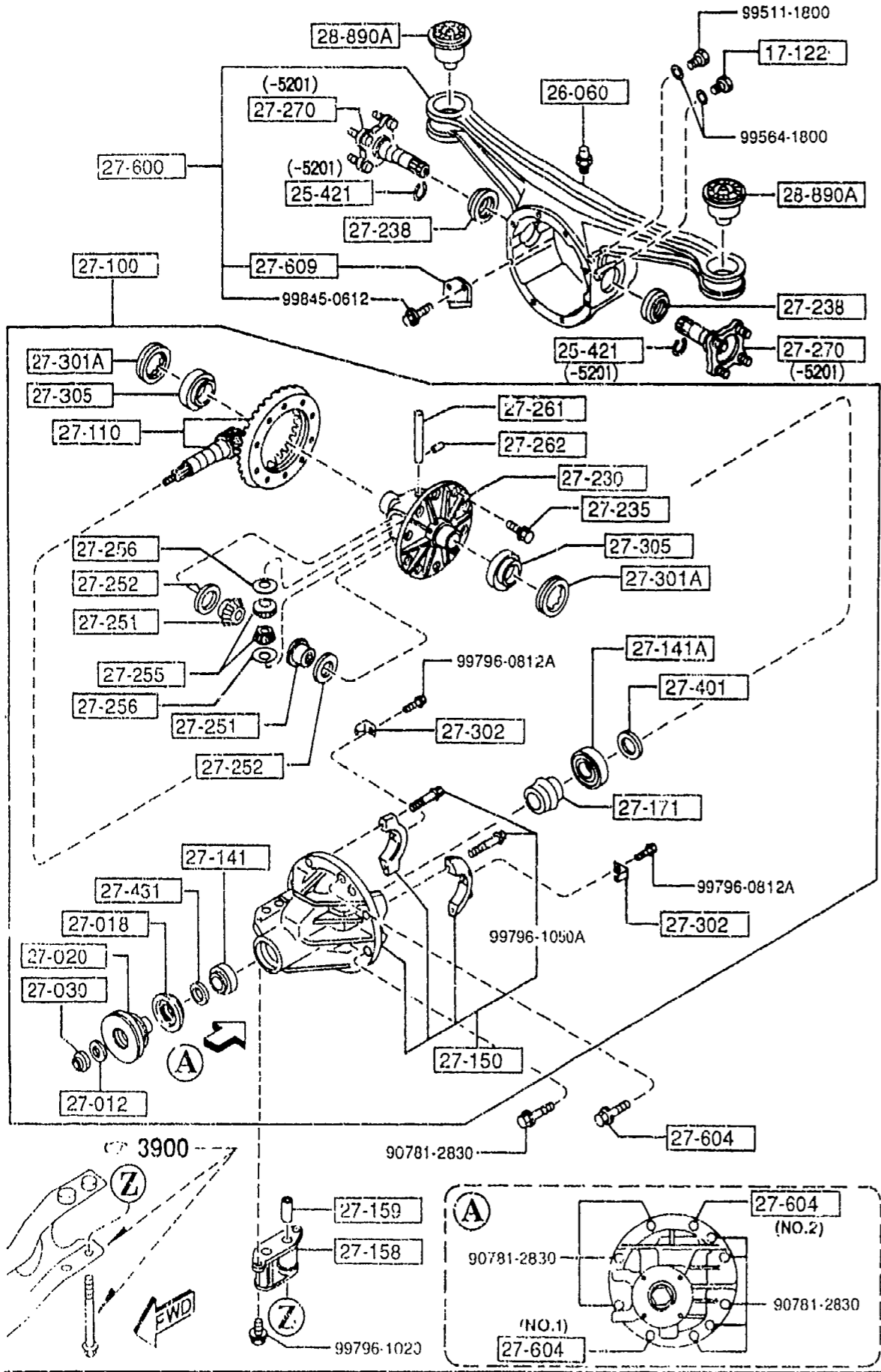


PART NO.	QTY	MODEL/RESTRICTION	MODEL/RESTRICTION	MODEL/RESTRICTION	FROM-TO
CONT'D	1				
0223-27-411A	1	T=3.35MM			
0223-27-412A	1	T=3.38MM			
0223-27-413A	1	T=3.41MM			
0223-27-414A	1	T=3.44MM			
0223-27-415A	1	T=3.47MM			
0223-27-416	1	T=3.095MM			5301-
0223-27-417	1	T=3.125MM			5301-
0223-27-418	1	T=3.155MM			5301-
0223-27-419	1	T=3.185MM			5301-
0223-27-422	1	T=3.215MM			5301-
0223-27-423	1	T=3.245MM			5301-
0223-27-424	1	T=3.275MM			5301-
0223-27-425	1	T=3.305MM			5301-
0223-27-426	1	T=3.335MM			5301-
0223-27-427	1	T=3.365MM			5301-
0223-27-428	1	T=3.395MM			5301-
0223-27-433	1	T=3.425MM			5301-
0223-27-434	1	T=3.455MM			5301-
PA01-27-431	1	SPACER			
MA02-27-600 AN(MA02-27-600A)	1	CASING, DIFFERENTIAL			-5201
MA02-27-600A	1				5201-

5201 NA35* -614193
5301 NA35* -616742

2710 REAR DIFFERENTIALS
(NORMAL DIFF.)

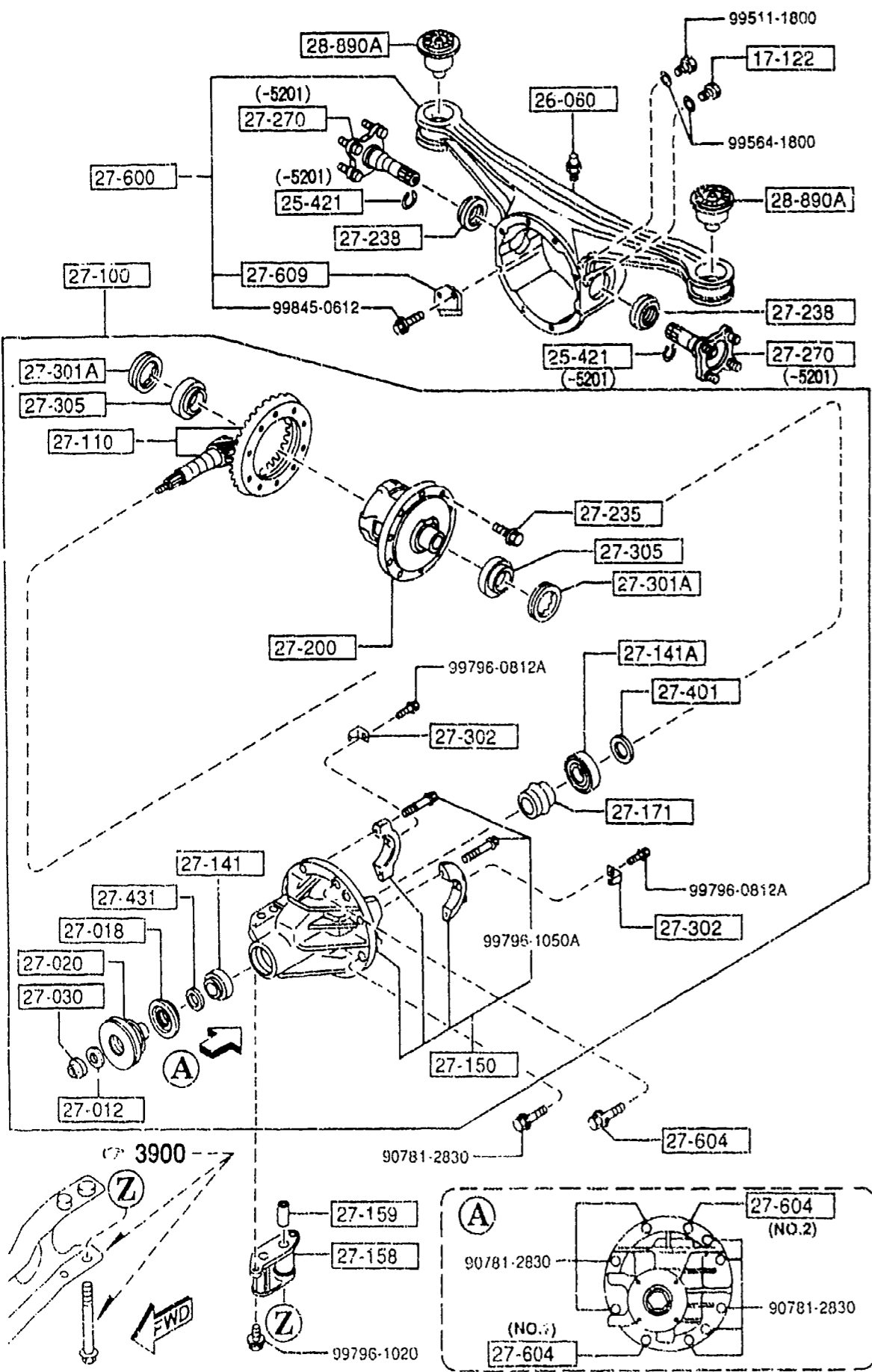
2710 -5 * REAR DIFFERENTIALS
(NORMAL DIFF.)



PART NO.	QTY	MODEL/RESTRICTION	MODEL/RESTRICTION	MODEL/RESTRICTION	FROM-TO
27-604	1	BOLT, CARRIER			
M053-27-604	1	(ILLUST. NO.1)			
M053-27-605	1	(ILLUST. NO.2)			
27-609	1	PLATE, BAFFLE-DIFF CASING			
M0A1-27-609A	1				
28-890A	2	RUBBER, SUB FRAME MTG			
NA01-28-890	2				

2710 A REAR DIFFERENTIALS
(LIMITED SLIP DIFF.)

2710 A-1 REAR DIFFERENTIALS
(LIMITED SLIP DIFF.)

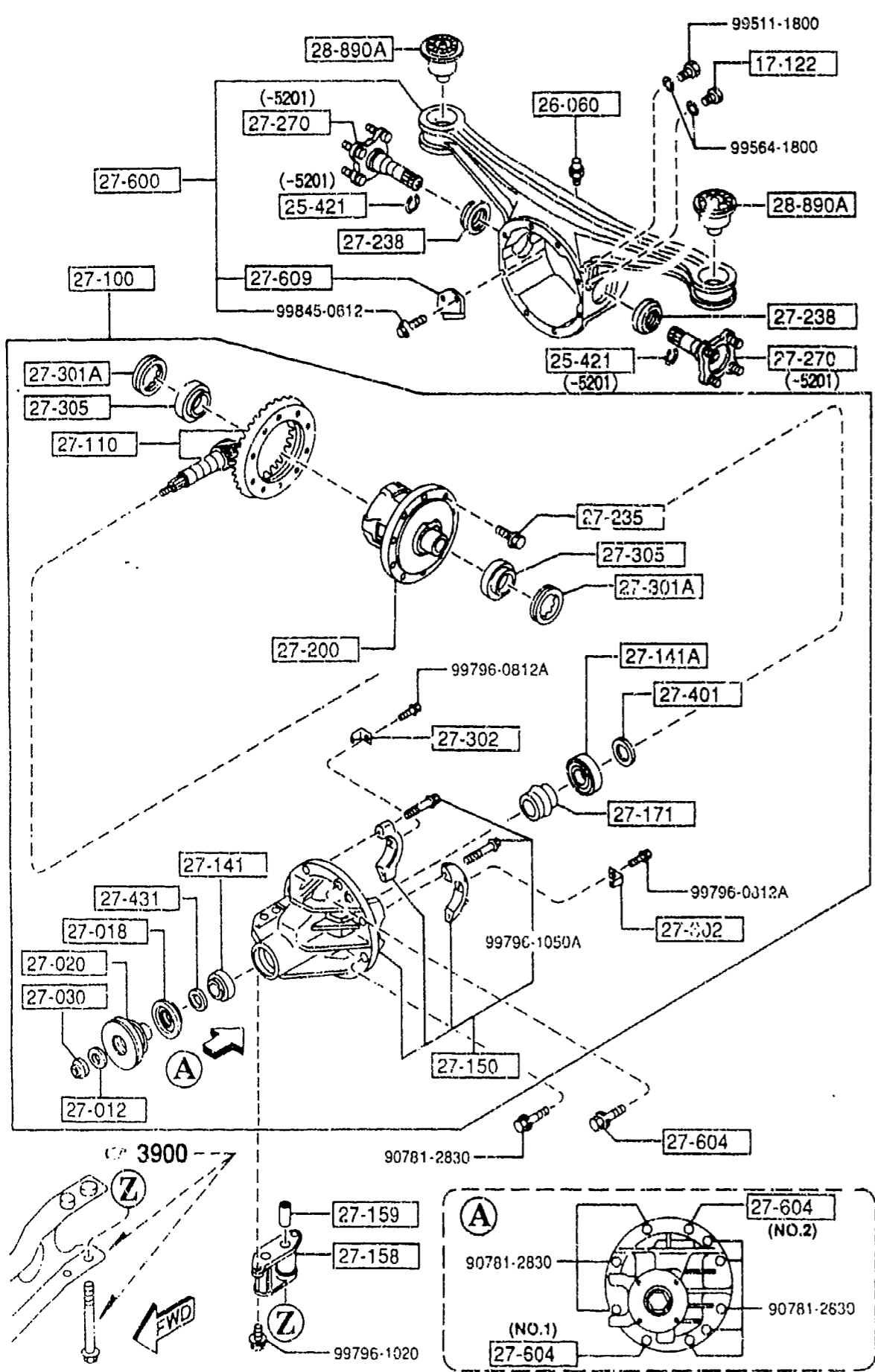


PART NO.	QTY	MODEL/RESTRICTION	MODEL/RESTRICTION	MODEL/RESTRICTION	FROM-TO
17-122	1	PLUG, MAGNET			
0810-17-121	1				
25-421	2	CLIP			-5201
0003-25-421	2				
26-060	1	BREATHER			
0730-26-060	1				
27-012	1	WASHER			
0223-27-012	1				
27-018	1	SEAL, OIL			-5508
MA02-27-165	1				5508-
MA02-27-165A	1				
27-020	1	FLANGE, COMPANION			-5508
MA03-27-120	1				5508-
MA03-27-120A	1				
27-030	1	NUT, LOCK			
0223-27-030	1				
27-100	1	DRIVING & DIFF.			
MM01-27-100A	1	('95 MODEL)			
MM03-27-100	1	('96 MODEL)			
27-110	1	GEAR SET, FINAL			
M068-27-110A	1	R=4.100			
27-141	1	BEARING, PINION			
0755-27-210	1				
27-141A	1	BEARING, PINION			
M025-27-210	1				
27-150	1	CARRIER, DIFFERENTIAL			-6601
MA02-27-150	1				6601-
A (MA02-27-150A)	1				
*MAU2-27-150A	1				

5201 NA35* -614193
5508 NA35* -620210
6601 NA35** -719621

2710 A REAR DIFFERENTIALS
(LIMITED SLIP DIFF.)

2710 A-2 REAR DIFFERENTIALS
(LIMITED SLIP DIFF.)

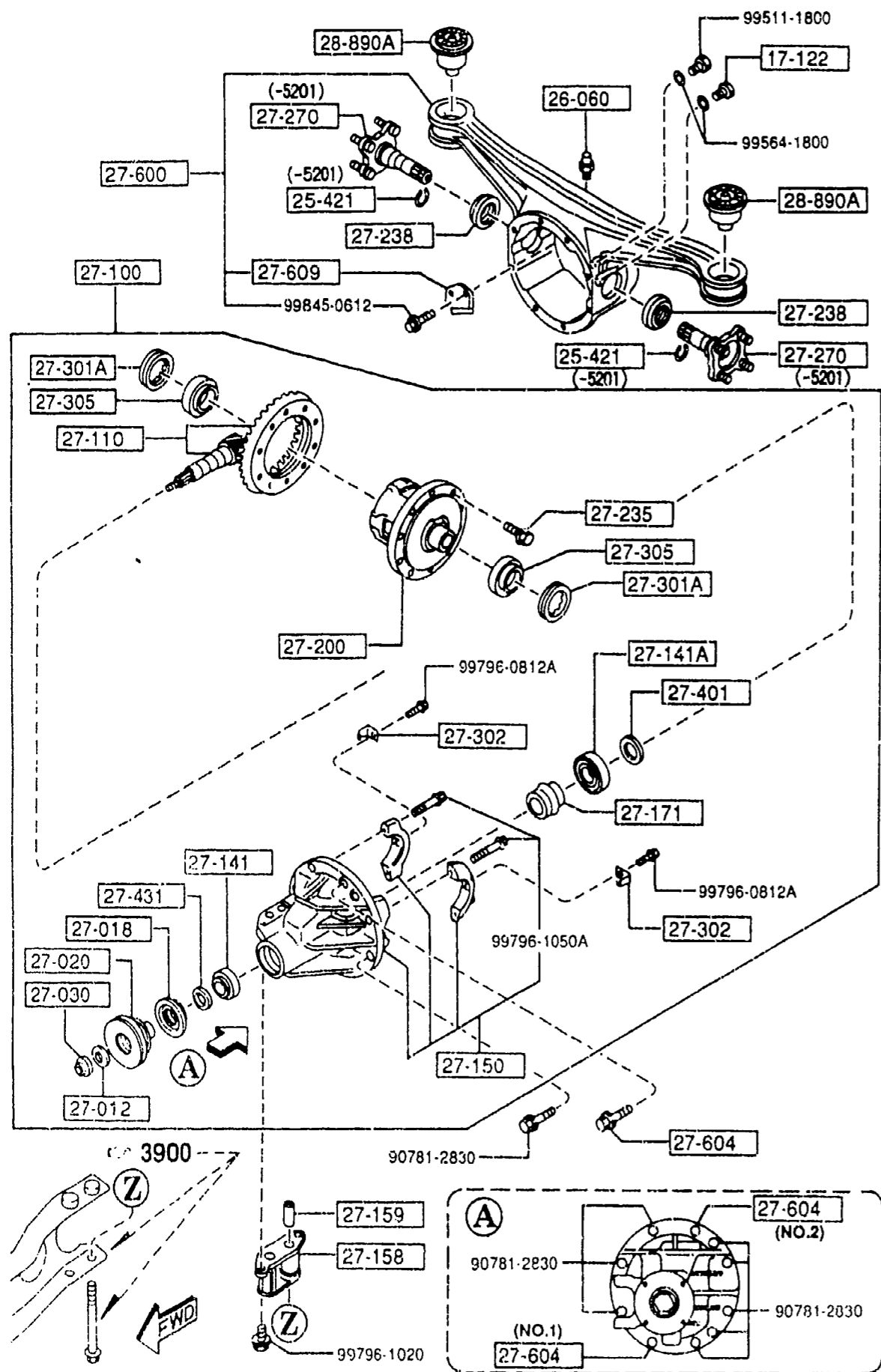


PART NO.	QTY	MODEL/RESTRICTION	MODEL/RESTRICTION	MODEL/RESTRICTION	FROM-TO
27-158		SPACE			
T020-27-158A	1				
27-159		FIN, TUBULAR			
T020-27-159A	1				-4901
MA02-27-159	1				4901-
27-171		PIECE, DISTANCE			
M035-27-171	1				
27-200		DIFFERENTIAL			
MM01-27-200	1	('95 MODEL)			
MM02-27-200	1	('96 MODEL)			-5731
A (MM02-27-200A)					
MM02-27-200A	1	('96 MODEL)			5731-
27-235		BOLT, RING GEAR			
8051-27-235	10	D=10.0MM			
8051-27-236	10	D=10.2MM			
27-238		SEAL, OIL			
MA02-27-238	2				
27-270		YOKE, DIFFERENTIAL			
M055-27-270C	2				-5201
27-301A		SCREW, ADJUST			
0290-27-301	2				
27-302		PLATE, LOCK			
0290-27-302	2				
27-305		BEARING			
0221-27-350	2				
27-401		SPACER			
0223-27-401A	1	T=3.03MM			
0223-27-402A	1	T=3.11MM			

4901 NA35* -602618
5201 NA35* -614193
5731 NA3** -700786

2710 A REAR DIFFERENTIALS
(LIMITED SLIP DIFF.)

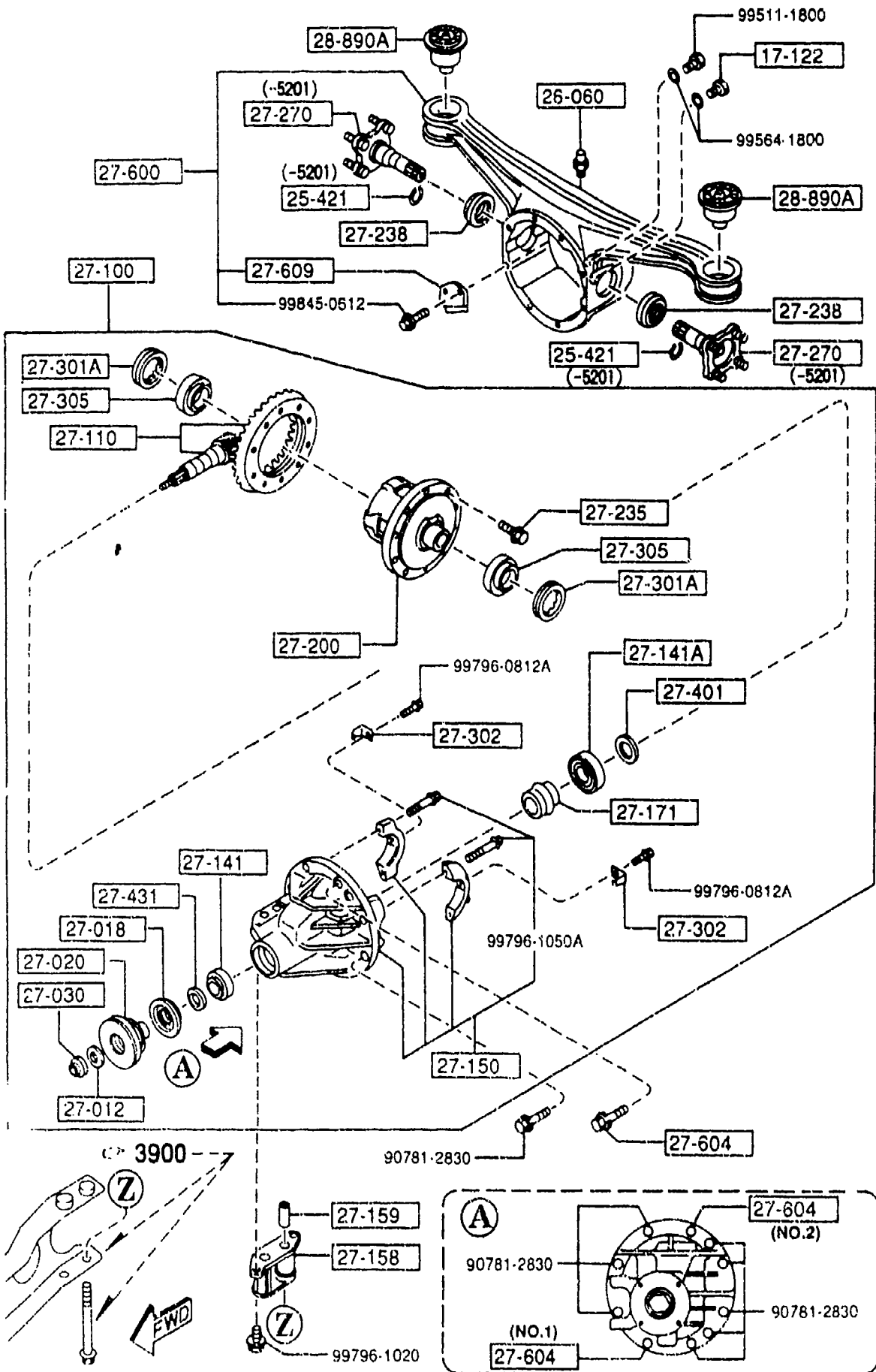
2710 A-3 REAR DIFFERENTIALS
(LIMITED SLIP DIFF.)



PART NO.	QTY	MODEL/RESTRICTION	MODEL/RESTRICTION	MODEL/RESTRICTION	FROM-TO
CONT'D					
0223-27-403A	1	T=3.14MM			
0223-27-404A	1	T=3.17MM			
0223-27-405A	1	T=3.2MM			
0223-27-406A	1	T=3.23MM			
0223-27-407A	1	T=3.26MM			
0223-27-408A	1	T=3.29MM			
0223-27-409A	1	T=3.32MM			
0223-27-411A	1	T=3.35MM			
0223-27-412A	1	T=3.38MM			
0223-27-413A	1	T=3.41MM			
0223-27-414A	1	T=3.44MM			
0223-27-415A	1	T=3.47MM			
0223-27-416	1	T=3.095MM			5301-
0223-27-417	1	T=3.125MM			5301-
0223-27-418	1	T=3.155MM			5301-
0223-27-419	1	T=3.185MM			5301-
0223-27-422	1	T=3.215MM			5301-
0223-27-423	1	T=3.245MM			5301-
0223-27-424	1	T=3.275MM			5301-
0223-27-425	1	T=3.305MM			5301-
0223-27-426	1	T=3.335MM			5301-
0223-27-427	1	T=3.365MM			5301-
0223-27-428	1	T=3.395MM			5301-
5301 NA35* -616742					

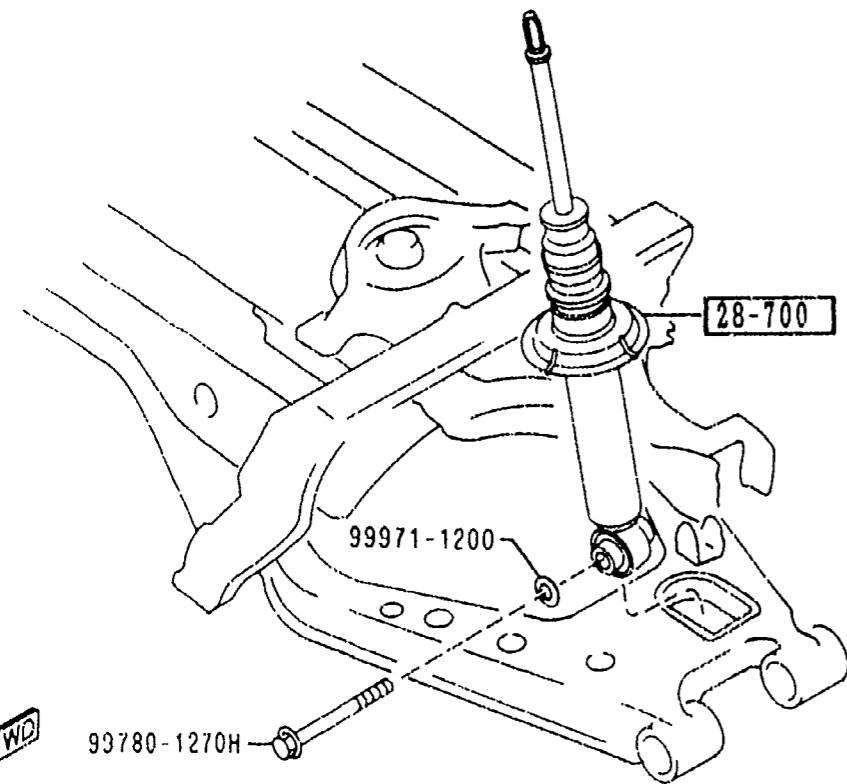
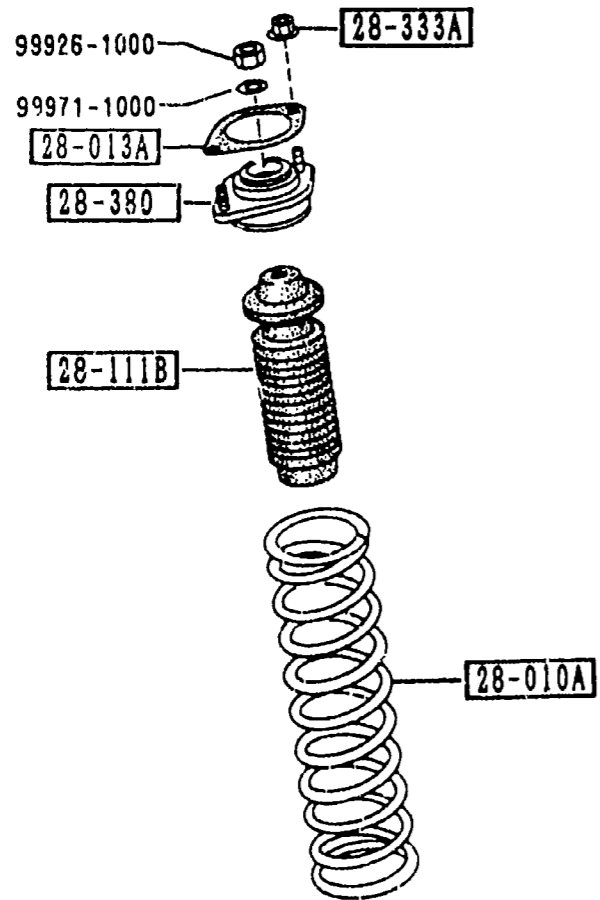
2710 A REAR DIFFERENTIALS
(LIMITED SLIP DIFF.)

2710 A-4 * REAR DIFFERENTIALS
(LIMITED SLIP DIFF.)



PART NO.	QTY	MODEL/RESTRICTION	MODEL/RESTRICTION	MODEL/RESTRICTION	FROM-TO
CONT'D					
0223-27-433	1	T=3.425MM			5301-
0223-27-434	1	T=3.455MM			5301-
27-431		SPACER			
PA01-27-431	1				
27-600		CASING, DIFFERENTIAL			
MA02-27-600 AN(MA02-27-600A)	1				-5201
MA02-27-600A	1				5201-
27-604		BOLT, CARRIER			
M053-27-604	1	(ILLUST. NO.1)			
M053-27-605	1	(ILLUST. NO.2)			
27-609		PLATE, BAFFLE-DIFF CASING			
MOA1-27-609A	1				
28-890A		RUBBER, SUB FRAME MTG			
NA01-28-890	2				

5201 NA35* -614193
5301 NA35* -616742

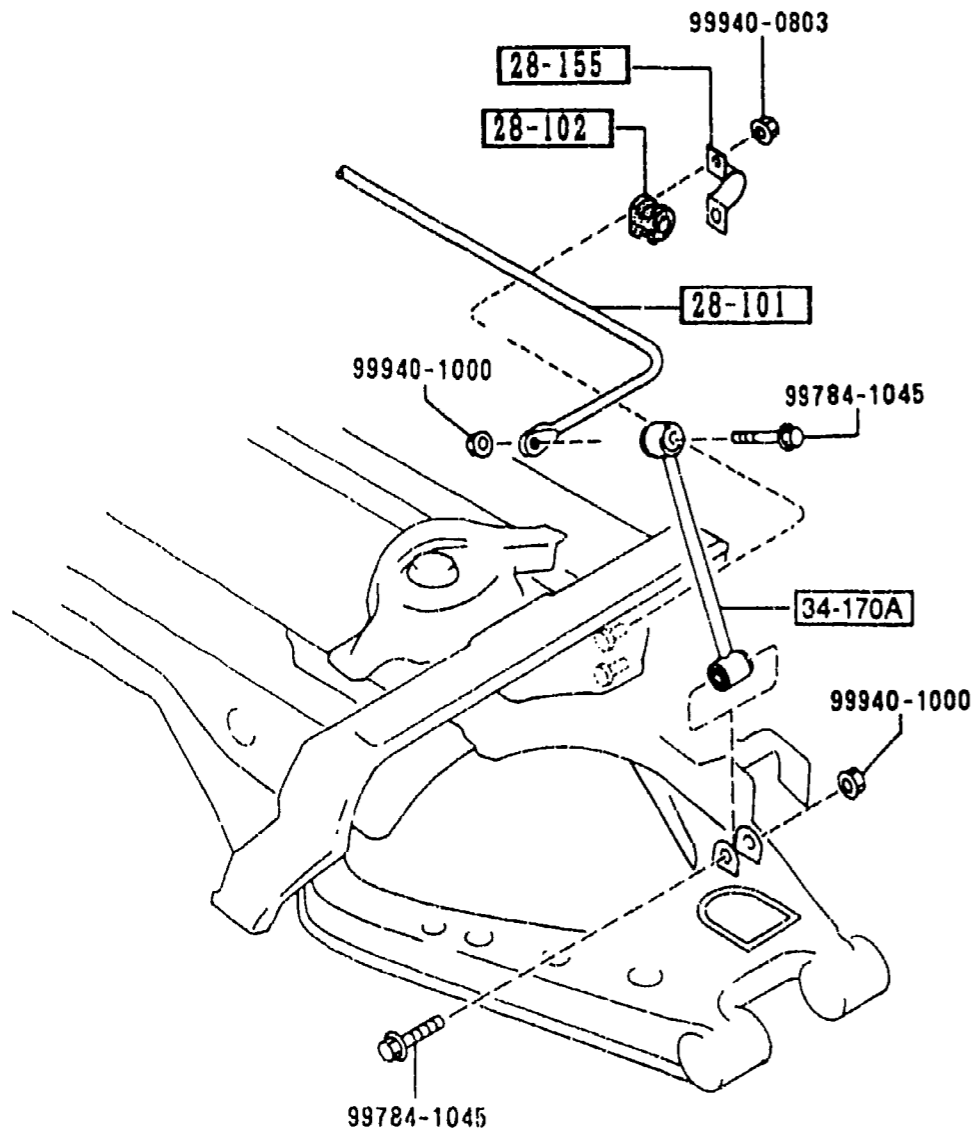


PART NO.	QTY	MODEL/RESTRICTION	MODEL/RESTRICTION	MODEL/RESTRICTION	FROM-TO
28-010A		SPRING, COIL-REAR			
NA01-28-011C	2	((EXC. BILSTEIN DAMP.) >>(MT))			
NA03-28-011A	2	((EXC. BILSTEIN DAMP.) >>(AT))			
N021-28-011	2	(BILSTEIN DAMP.)			
28-013A		SHEET, RUBBER			
G030-28-013A	2				
28-111B		STOPPER, BUMP			
NA01-28-111	2	(EXC. BILSTEIN DAMP.)			
N021-34-111	2	(BILSTEIN DAMP.)			
28-333A		NUT, FLANGE			
H001-28-333	4				
28-380		RUBBER, MOUNTING			
NA01-28-380B	2				
28-700		DAMPER, REAR			
N018-28-700B	2	(EXC. BILSTEIN DAMP.)			
N023-28-700A A (N023-28-700B)	2	(BILSTEIN DAMP.)			-5804
N023-28-700B	2	(BILSTEIN DAMP.)			5804-

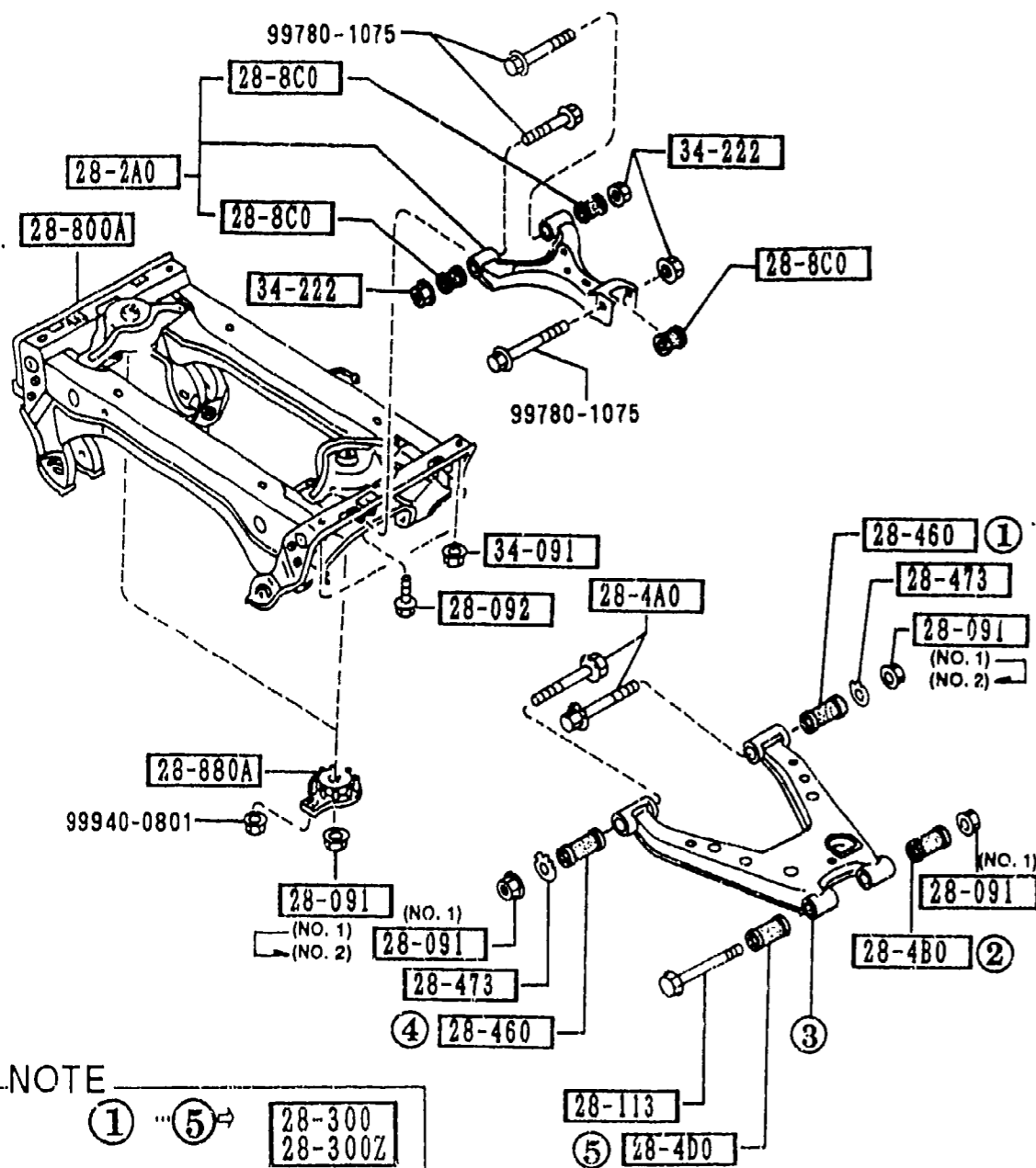
5804 NA3** -701237

2810 REAR STABILIZER

2810 -1 * REAR STABILIZER



PART NO.	QTY	MODEL/RESTRICTION	MODEL/RESTRICTION	MODEL/RESTRICTION	FROM-TO
28-101		STABILIZER,RR			
N023-28-151	1				
28-102		BUSH,STABILIZER-RR			
N023-28-156	2				
28-155		PLATE,STABILIZER-RR			
FB01-28-155	2				
34-170A		LINK,CONTROL-STAB			
NA01-34-170	2				

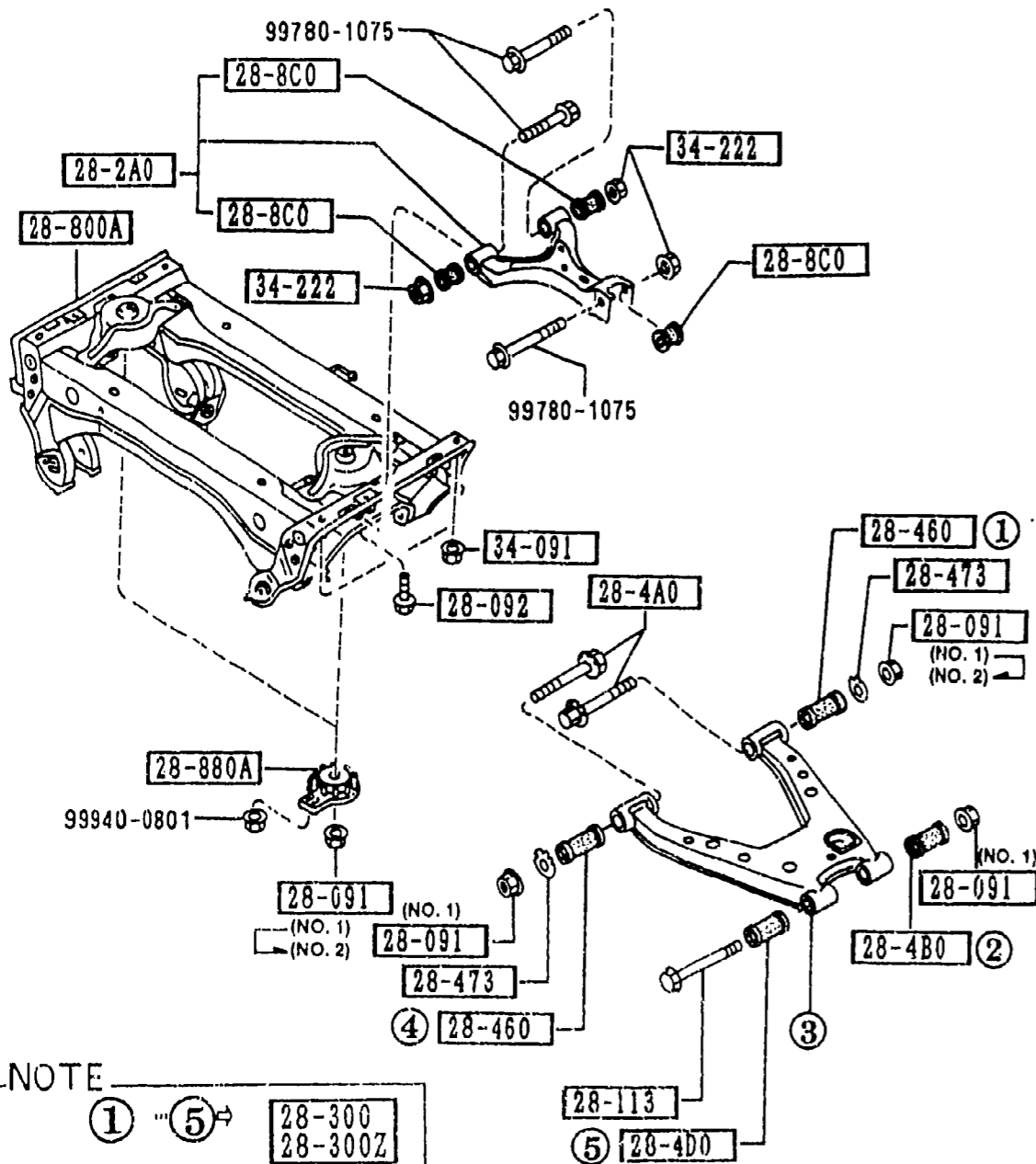


NOTE
 ① ... ⑤ → 28-300
 28-300Z
 THE D-CODE OF 28-300
 28-300Z CONSISTS OF
 FIGURE NUMBERS ① THROUGH ⑤.



PART NO.	QTY	MODEL/RESTRICTION	MODEL/RESTRICTION	MODEL/RESTRICTION	FROM-TO
28-091		NUT			
B037-28-091	8	(ILLUST. NO.1)			-6401
B037-28-091	4	(ILLUST. NO.1)			6401-
B001-39-037B	4	(ILLUST. NO.2)			6401-
28-092		BOLT, CONTROL LINK			
NA01-28-092	2				
28-113		BOLT			
NA01-28-113	2				
28-2A0		ARM, UPPER-REAR			
NA01-28-2A0B	2				
28-300		ARM(R), LOWER-REAR			
NA01-28-300	1				
28-300Z		ARM(L), LOWER-REAR			
NA01-28-350	1				
28-460		BOLT, ADJUST			
28-4A0					
NA01-28-4A0	4				
28-4B0		BUSHING, RUBBER-LOWER ARM			
NA01-28-4B0	2				
28-4D0		BUSHING, RUBBER-LOWER ARM			
NA01-28-4D0	2				
28-460		BUSHING, LOWER ARM			
NA01-28-460	4				
28-473		PLATE, CAM-SUB FRAME			
NA01-28-473	4				
*NA80-28-473	4				-6401
28-8C0		BUSHING, RUBBER			6401-
NA01-28-8C0B	6				
28-800A		MEMBER, CROSS			

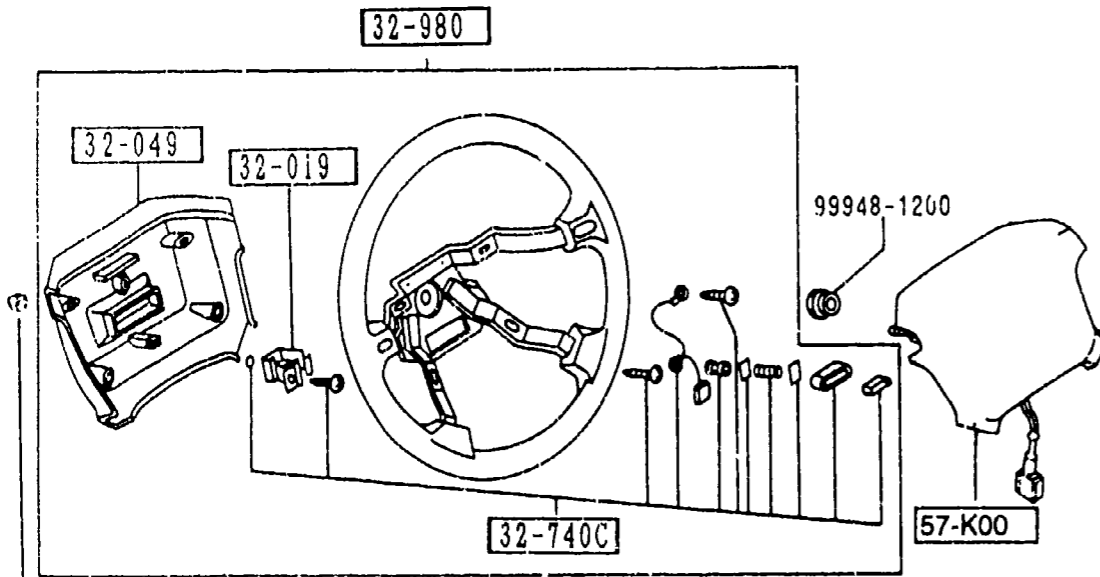
6401 NA3** -717787



NOTE
 ① ... ⑤ → 28-300
 28-300Z
 THE D-CODE OF 28-300
 28-300Z CONSISTS OF
 FIGURE NUMBERS ① THROUGH ⑤



PART NO.	QTY	MODEL/RESTRICTION	MODEL/RESTRICTION	MODEL/RESTRICTION	FROM-TO
CONT'D NA75-28-800	1				
+-----+ 28-880A +-----+		WASHER, STOP			
NA01-28-880B	2				
+-----+ 34-091 +-----+		NUT			
FB01-34-091	4				
+-----+ 34-222 +-----+		NUT			
8871-34-222	6				

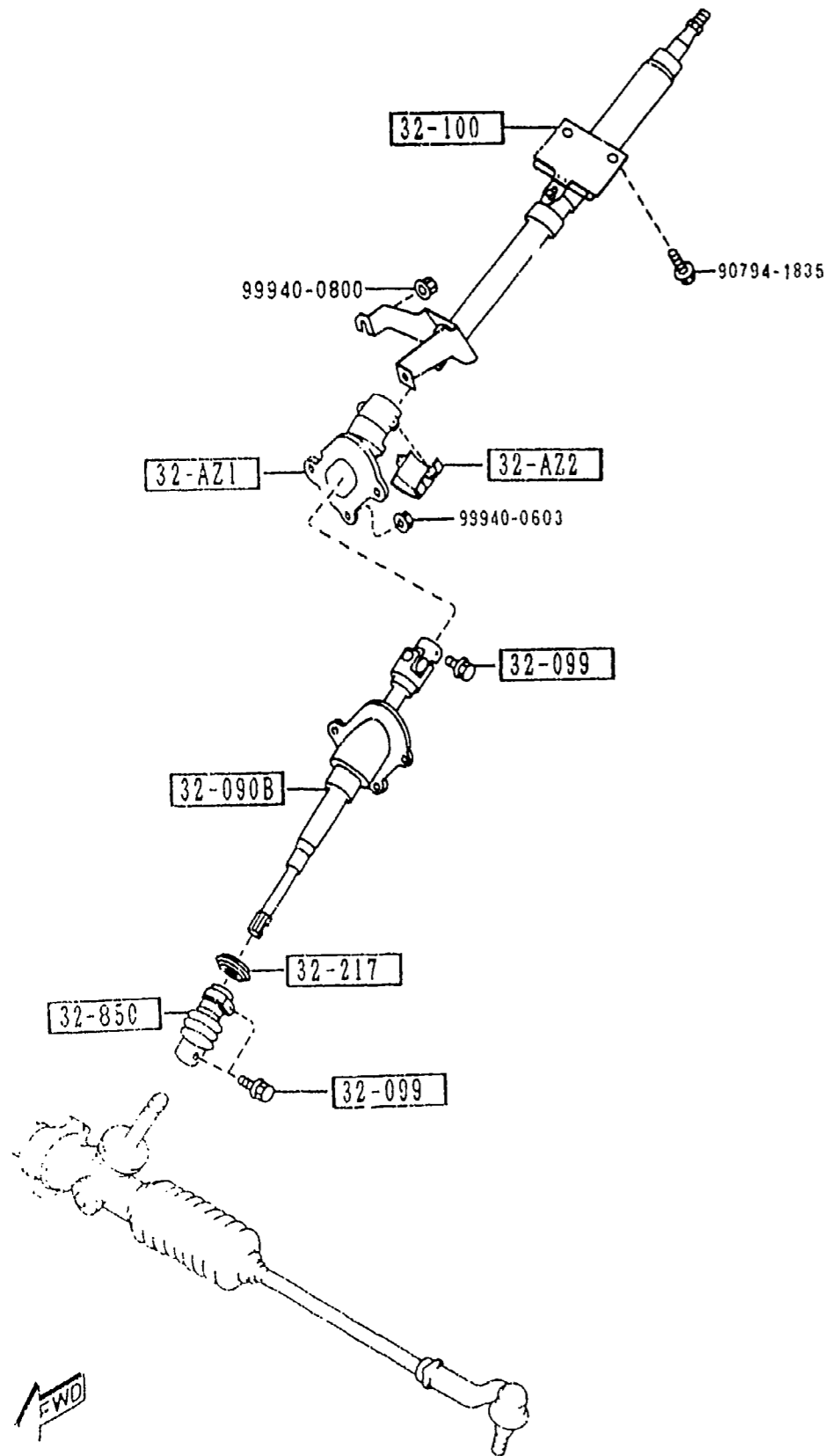


99940-0502

PART NO.	QTY	MODEL/RESTRICTION	MODEL/RESTRICTION	MODEL/RESTRICTION	FROM-TO
32-019		BRACKET, COUPLER			
NA01-32-019	1				
32-049		COVER, WHEEL CORE			
NA01-32-049	1				
32-740C		PARTS SET, ST. WHEEL			
NA01-32-750	1				
32-980		BOSS, STEERING WHEEL			
NA01-32-980C	1	BASE, R-PKG, (URETHANE) ('95 MODEL)			
NA01-32-980D	1	BASE, R-PKG, (URETHANE) ('96 MODEL)			
NA02-32-980C	1	M-25-ED, P.E.GR, L-P KG, PKG-A, PKG-B, PK G-C, PKG-C, PKG-B, (LEATHER) ('95 MODEL)			
NA02-32-980D	1	M-25-ED, P.E.GR, L-P KG, PKG-A, PKG-B, PK G-C, PKG-C, PKG-B, (LEATHER) ('96 MODEL)			
57-K00		MODULE, AIR BAG			
NB11-57-K00	1				
00	INT-	NA3 NA5 BLACK			

3210 STEERING COLUMN & SHAFTS

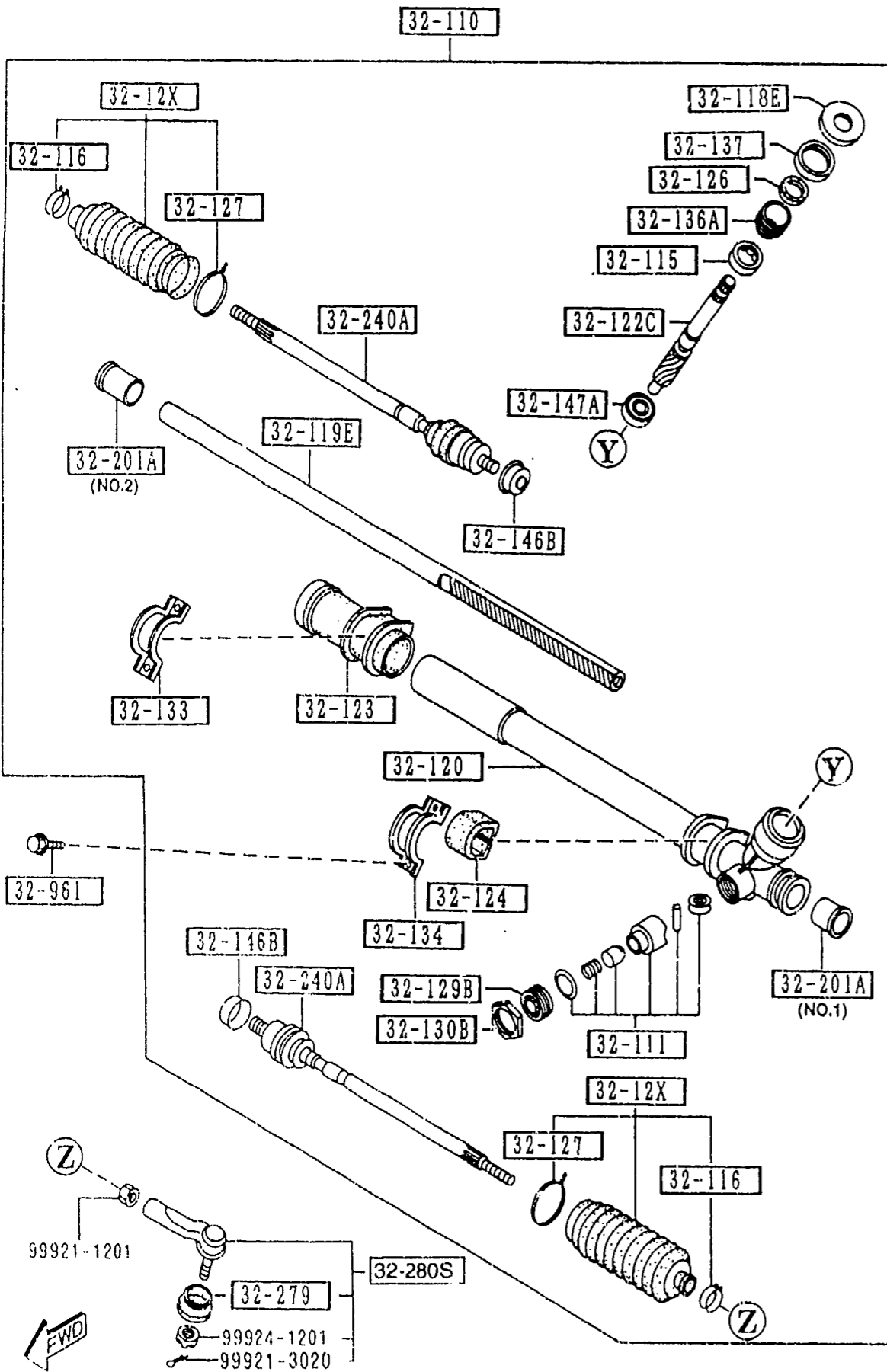
3210 -1 * STEERING COLUMN & SHAFTS



PART NO.	QTY	MODEL/RESTRICTION	MODEL/RESTRICTION	MODEL/RESTRICTION	FROM-TO
32-AZ1		COVER, JOINT-UPPER			
NA75-32-AZ1	1				
32-AZ2		COVER, JOINT-LOWER			
NA01-32-AZ2A	1				
32-090B		SHAFT, INTERMED.			
NA01-32-090C	1	BASE, R-PKG, (W/O POWER STEERING)			
NA02-32-090C	1	M-25-ED, P.E.GR, L-P KG, PKG-A, PKG-B, PK G-C, (W/POWER STEERING)			
32-099		BOLT, SHAFT			
B455-32-099	3				
32-100		SHAFT, ENGY. ABSORBER			
NA75-32-100A	1				
32-217		GROMMET			
NA01-32-217	1				
32-850		JOINT, STEERING			
NA01-32-850A	1				
*NA01-32-850B	1				

-6301
6301-

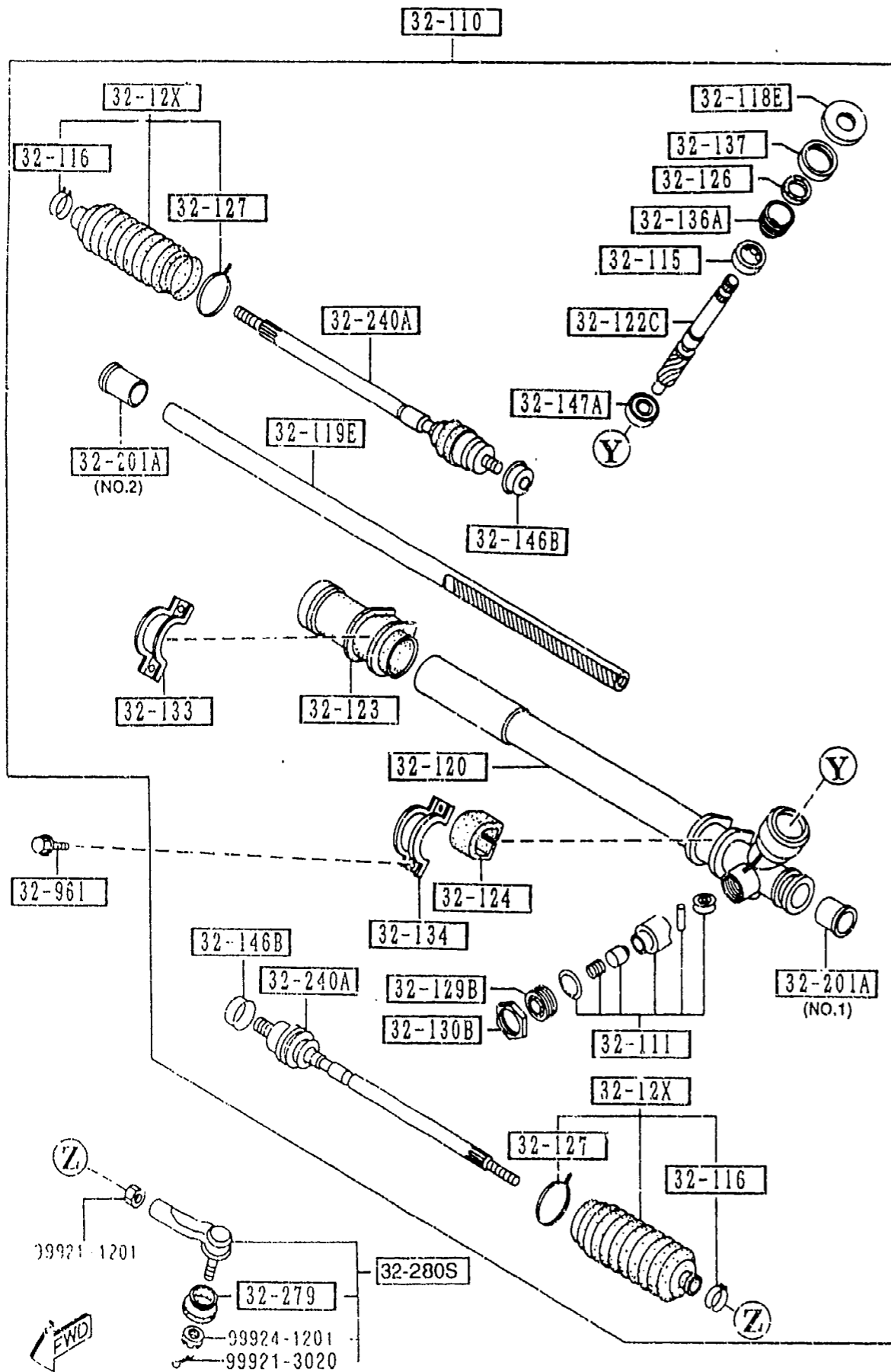
6301 NA3** -714662



PART NO.	QTY	MODEL/RESTRICTION	MODEL/RESTRICTION	MODEL/RESTRICTION	FROM-TO
32-110	1	GEAR, STEERING			
NA01-32-110	1				
32-111	1	YOKE, SUPPORT			
GJ21-32-111	1				
32-115	1	BEARING, ST. GEAR			
G030-32-115	1				
32-116	2	CLIP, SEAL			
BF67-32-116	2				
32-118E	1	COVER, DUST-ST. GEAR			
NA01-32-118	1				
32-119E	1	RACK, STEERING GEAR			
NA01-32-119	1				
32-12X	2	BOOT SET, ST. GEAR			
NA01-32-12X	2				
32-120	1	HOUSING, GEAR			
NA01-32-120	1				
32-122C	1	PINION, STEERING GEAR			
NA01-32-122	1				
32-123	1	RUBBER, MOUNTING			
NA01-32-123	1				
32-124	1	RUBBER, MOUNTING			
NA01-32-124	1				
32-126	1	SEAL, SHAFT			
G030-32-126	1				
32-127	2	CLIP, WIRE			
G030-32-127	2				
32-129B	1	PLUG, PINION			
HE01-32-129	1				

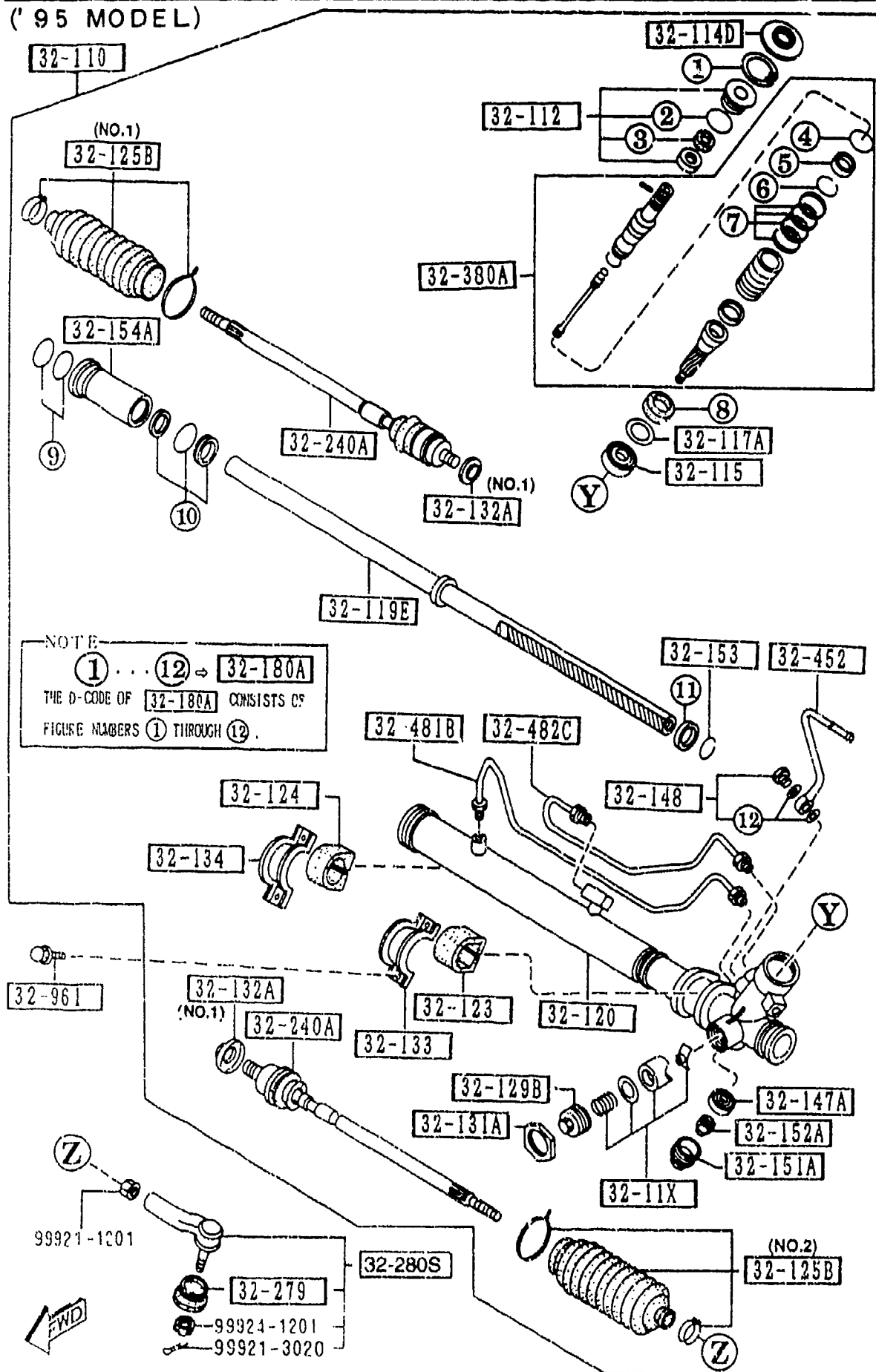
3220 STEERING GEAR
(W/O POWER STEERING)

3220 -2 * STEERING GEAR
(W/O POWER STEERING)



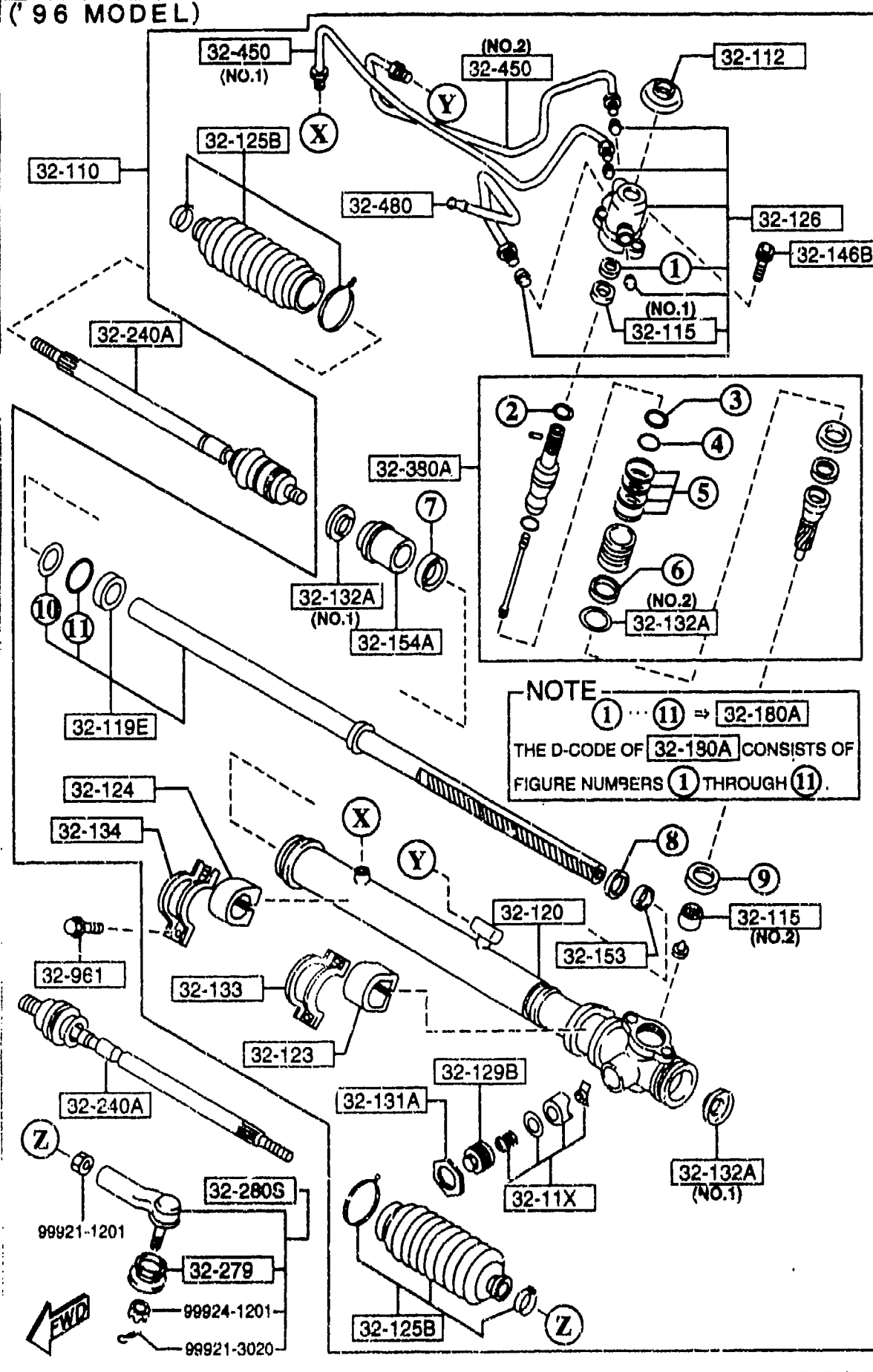
PART NO.	QTY	MODEL/RESTRICTION	MODEL/RESTRICTION	MODEL/RESTRICTION	FROM-TO
32-130B		NUT, LOCK			
S083-32-137	1				
32-133		PLATE, CLAMP			
BC51-32-133	1				
32-134		PLATE, CLAMP			
NA01-32-134	1				
32-136A		COVER, REAR			
G030-32-136	1				
32-137		NUT, LOCK			
S030-32-137	1				
32-146B		WASHER			
HA14-32-146	2				
32-147A		BEARING, PINION			
G030-32-147	1				
32-201A		BUSHING, RACK-ST. GEAR			
HE01-32-201	1	(ILLUST. NO.1)			
HE09-32-201	1	(ILLUST. NO.2)			
32-240A		JOINT, BALL			
NA01-32-240	2				
32-279		SEAL, DUST-BALL JOINT			
B455-32-279	2				
32-280S		JOINT SET, BALL			
BAN1-32-280	2				
32-961		BOLT			
G030-32-961	4				

('95 MODEL)



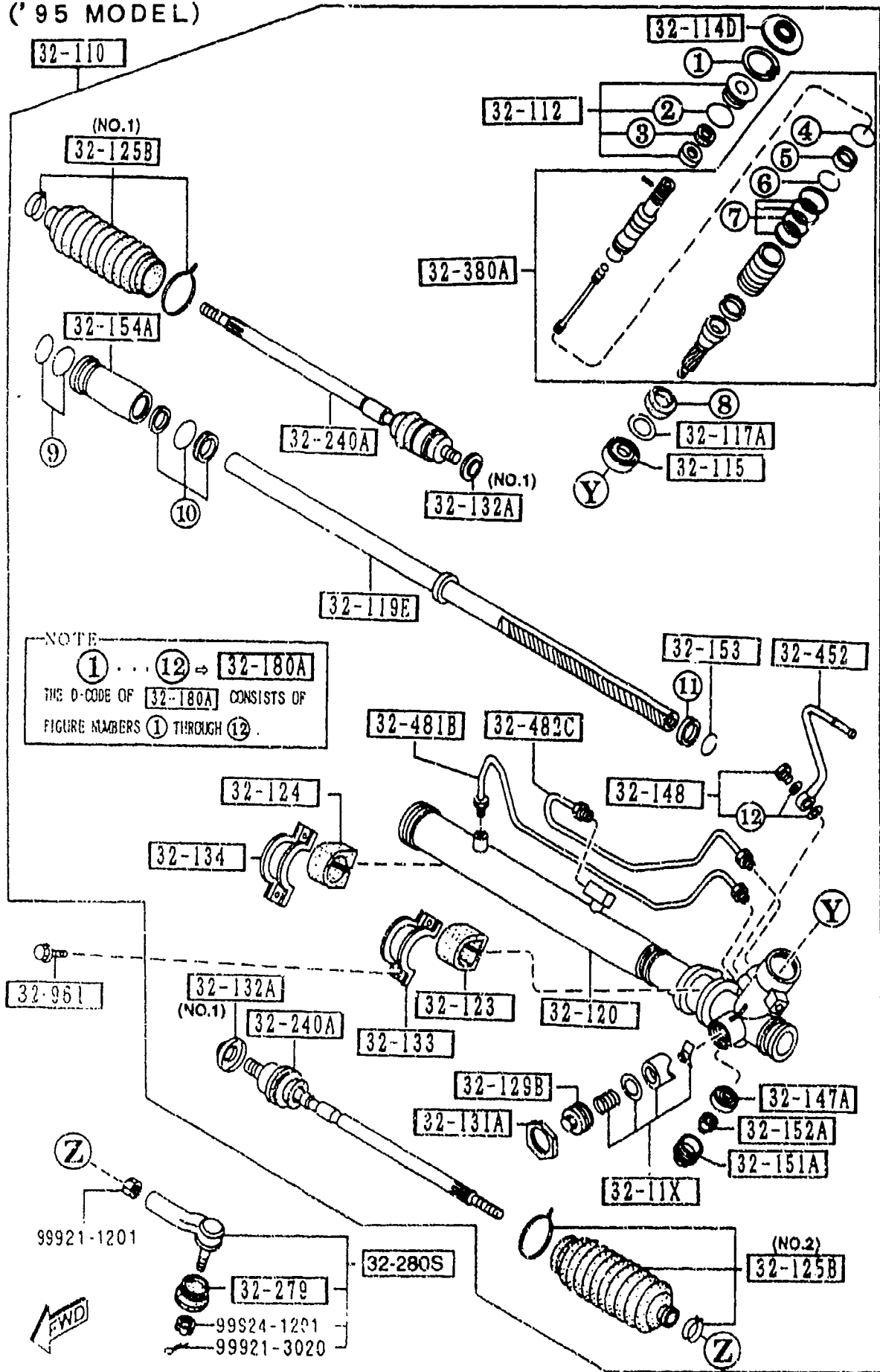
AUNA05

('96 MODEL)



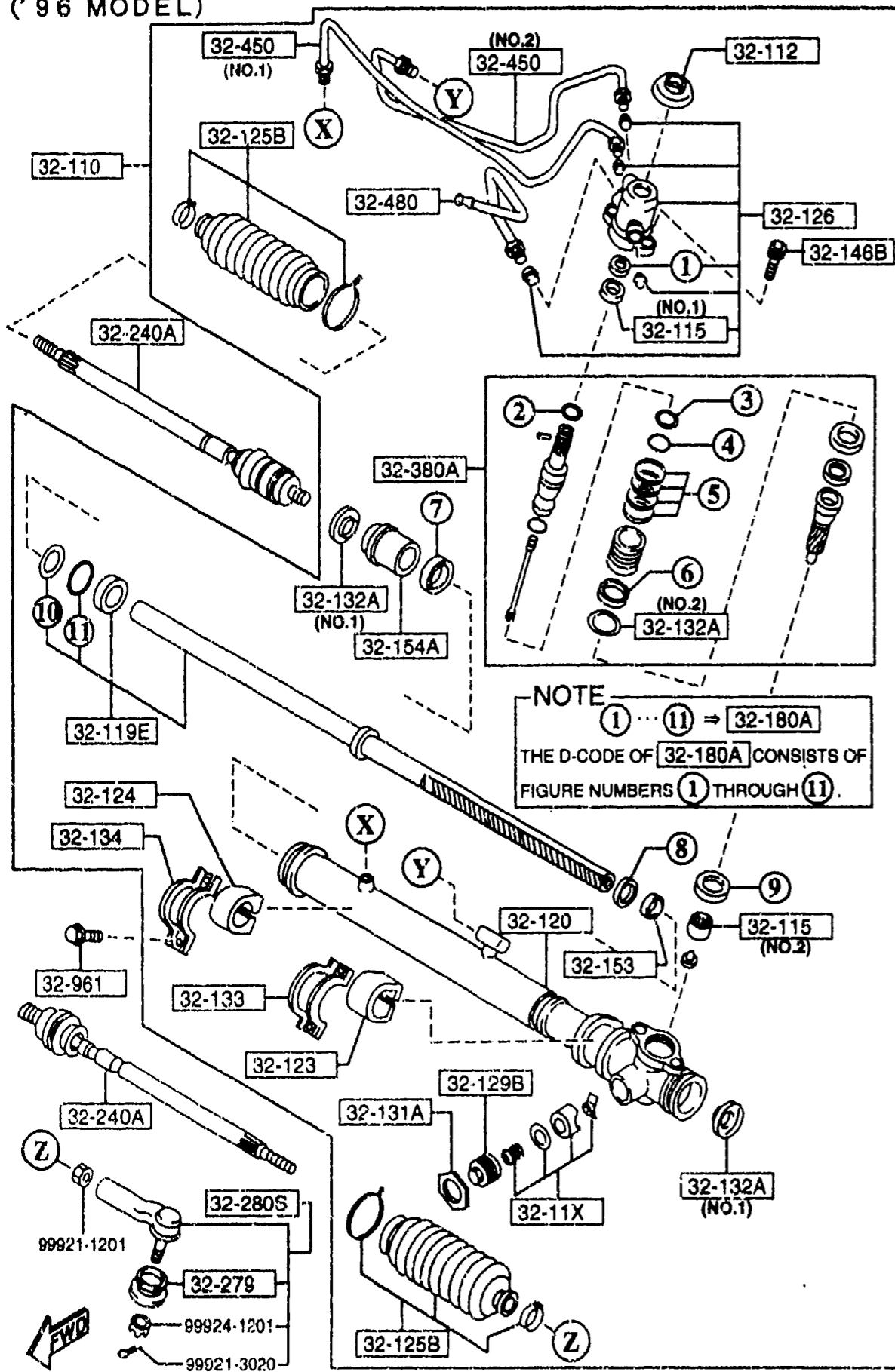
AUNA05

('95 MODEL)



PART NO.	QTY	MODEL/RESTRICTION	MODEL/RESTRICTION	MODEL/RESTRICTION	FROM-TO
32-11X		YOKE SET, SUPPORT-ST. GEAR			
NA02-32-11X	1				
32-110		GEAR, STEERING			
NA02-32-110	1 ('95 MODEL)				
NB38-32-110R	1 ('96 MODEL)				
32-112		COVER, DUST			
NA02-32-112	1 ('95 MODEL)				
NB38-32-112	1 ('96 MODEL)				
32-114D		COVER, DUST-ST. GEAR			
NA02-32-114	1 ('95 MODEL)				
32-115		BEARING, ST. GEAR			
NA02-32-115	1 ('95 MODEL)				
NB38-32-115	1 (ILLUST. NO. 1) ('96 MODEL)				
NB39-32-115	1 (ILLUST. NO. 2) ('96 MODEL)				
32-117A		SPACER, STEERING GEAR			
NA02-32-121	1 ('95 MODEL)				
32-119E		RACK, STEERING GEAR			
NA02-32-119	1 ('95 MODEL)				
NB38-32-119	1 ('96 MODEL)				
32-120		HOUSING, GEAR			
NA02-32-120	1 ('95 MODEL)				
NB38-32-120	1 ('96 MODEL)				
32-123		RUBBER, MOUNTING			
NA02-32-123	1				
32-124		RUBBER, MOUNTING			
NA02-32-124	1				
32-125B		BOOT, RACK			
NA02-32-125	1 (ILLUST. NO. 1) ('95 MODEL)				

('96 MODEL)



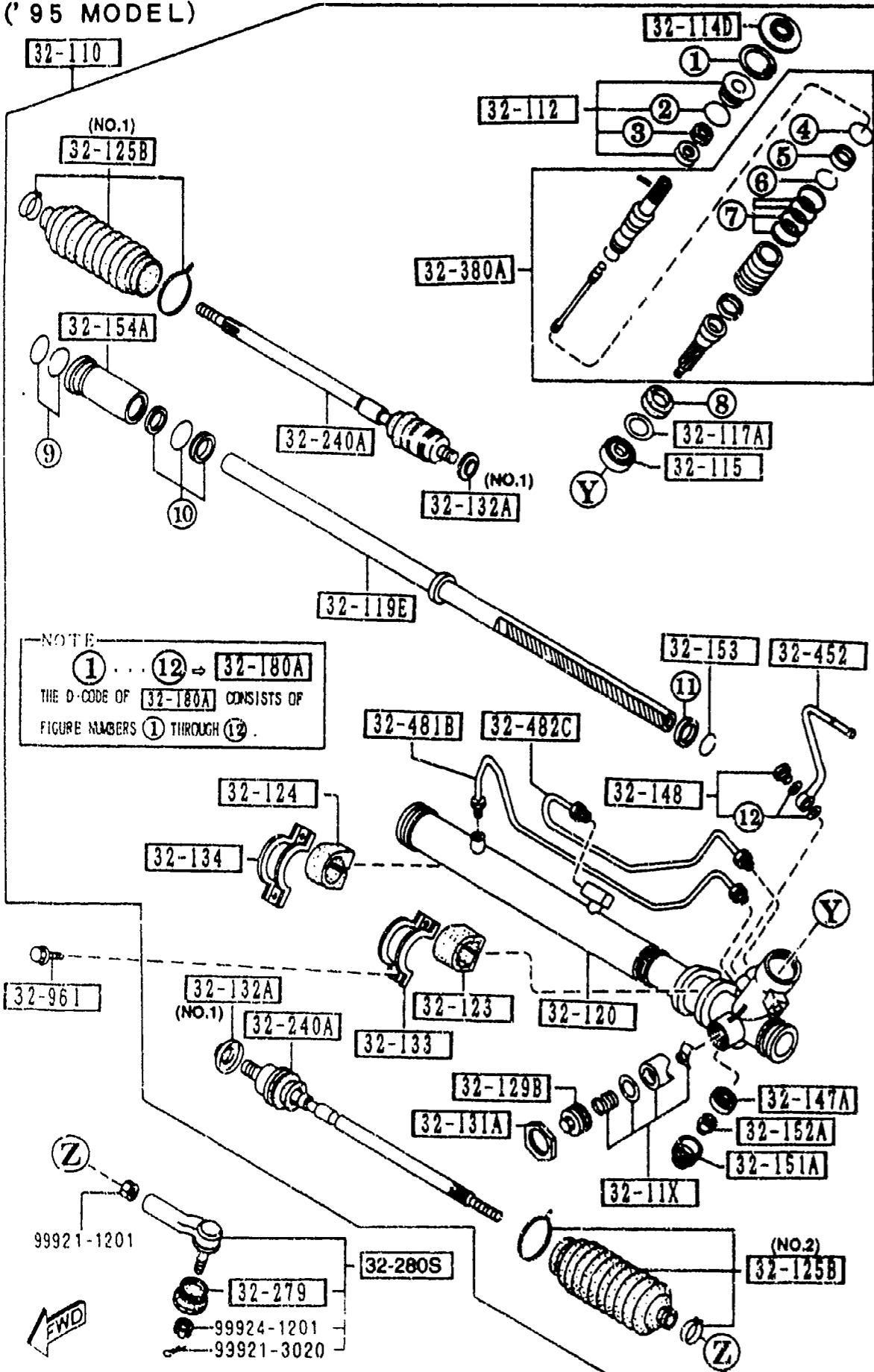
PART NO.	QTY	MODEL/RESTRICTION	MODEL/RESTRICTION	MODEL/RESTRICTION	FROM-TO
CONT'D					
NB38-32-125	2	('96 MODEL)			
NA02-32-135	1	(ILLUST. NO.2) ('95 MODEL)			
32-126		SEAL, SHAFT			
NB38-32-126	1	('96 MODEL)			
32-129B		PLUG, PINION			
NA02-32-129	1				
32-131A		NUT, LOCK-RACK			
NA02-32-131	1				
32-132A		WASHER			
NA02-32-126	2	(ILLUST. NO.1)			
NB38-32-132	1	(ILLUST. NO.2) ('96 MODEL)			
32-133		PLATE, CLAMP			
NA02-32-133	1	('95 MODEL)			
NB38-32-133	1	('96 MODEL)			
32-134		PLATE, CLAMP			
D002-32-134	1	('96 MODEL)			
NA02-32-134	1	('95 MODEL)			
32-146B		WASHER			
NB38-32-146	2	('96 MODEL)			
32-147A		BEARING, PINION			
NA02-32-147	1	('95 MODEL)			
32-148		EYE BOLT KIT, ST. GEAR			
D002-32-148	1	('95 MODEL)			
32-151A		PLUG, PINION-ST. GEAR			
NA02-32-151	1	('95 MODEL)			
32-152A		NUT, ADJUST			
NA02-32-152	1	('95 MODEL)			

3220 A STEERING GEAR
(W/ POWER STEERING)

(1/2)

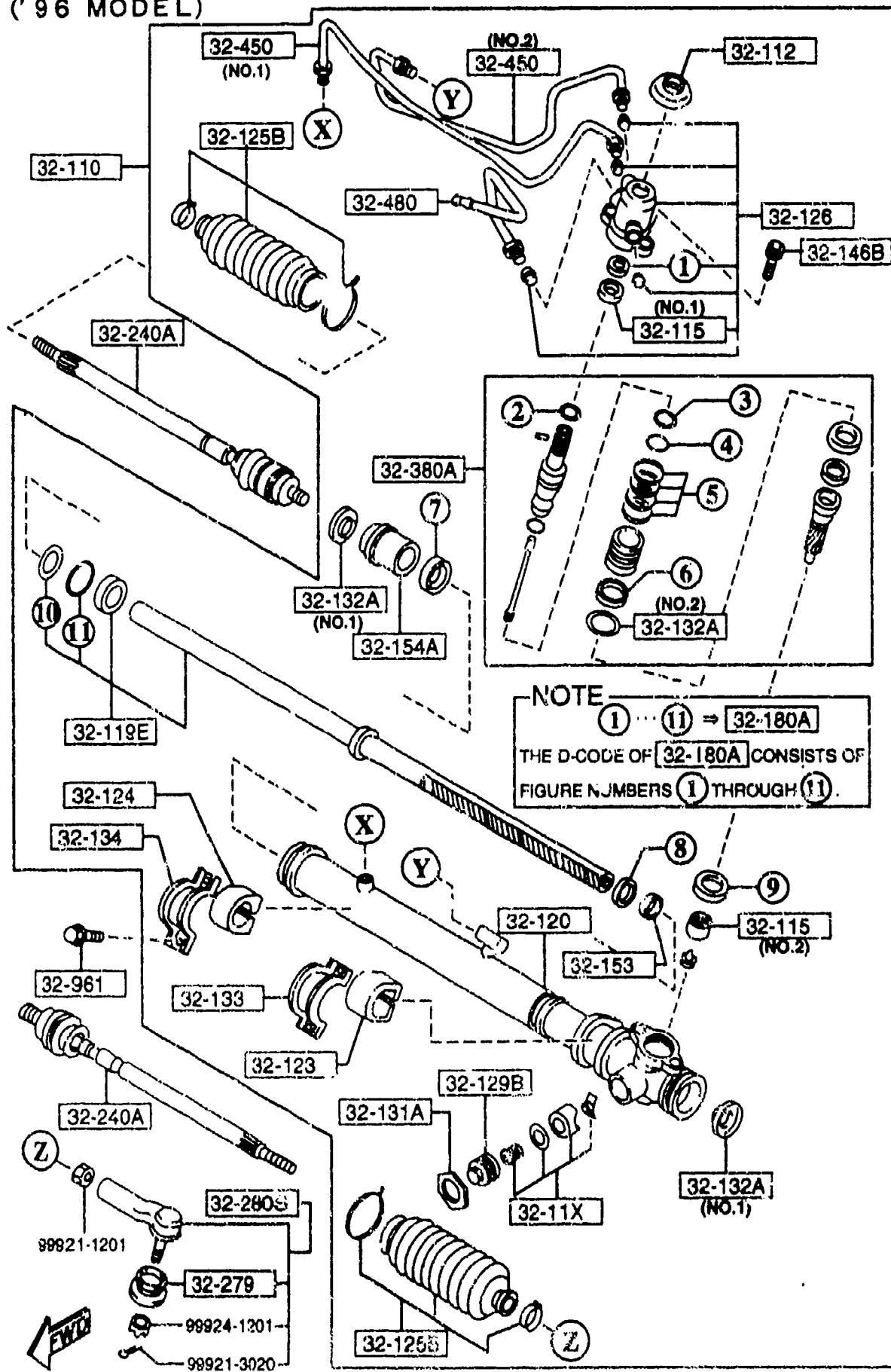
3220 A-3 STEERING GEAR
(W/POWER STEERING)

('95 MODEL)



PART NO.	QTY	MODEL/RESTRICTION	MODEL/RESTRICTION	MODEL/RESTRICTION	FROM-TO
32-153		RING, BACK UP			
NA02-32-153	1				
32-154A		HOLDER, STEERING GEAR			
NA02-32-154	1 ('95 MODEL)				
NB38-32-154	1 ('96 MODEL)				
32-180A		SEAL KIT, ST. GEAR			
NA02-32-180	1 ('95 MODEL)				
NB38-32-180	1 ('96 MODEL)				
32-240A		JOINT, BALL			
NA02-32-240	2				
32-279		SEAL, DUST-BALL JOINT			
B455-32-279	2				
32-280S		JOINT SET, BALL			
8AN1-32-280	2				
32-380A		VALVE, ST. GEAR			
NA02-32-380	1 ('95 MODEL)				
NB38-32-380	1 ('96 MODEL)				
32-450		PIPE, PRESSURE			
NB38-32-450	1 (ILLUST. NO.1) ('96 MODEL)				
NB39-32-450	1 (ILLUST. NO.2) ('96 MODEL)				
32-452		PIPE 'B', ST. GEAR			
NA02-32-452	1 ('95 MODEL)				
32-480		PIPE, RETURN			
NB38-32-480A	1 ('96 MODEL)				
32-481B		PIPE 'A', CYLINDER			
NA02-32-481	1 ('95 MODEL)				
32-482C		PIPE 'B', CYLINDER			
NA02-32-482	1 ('95 MODEL)				

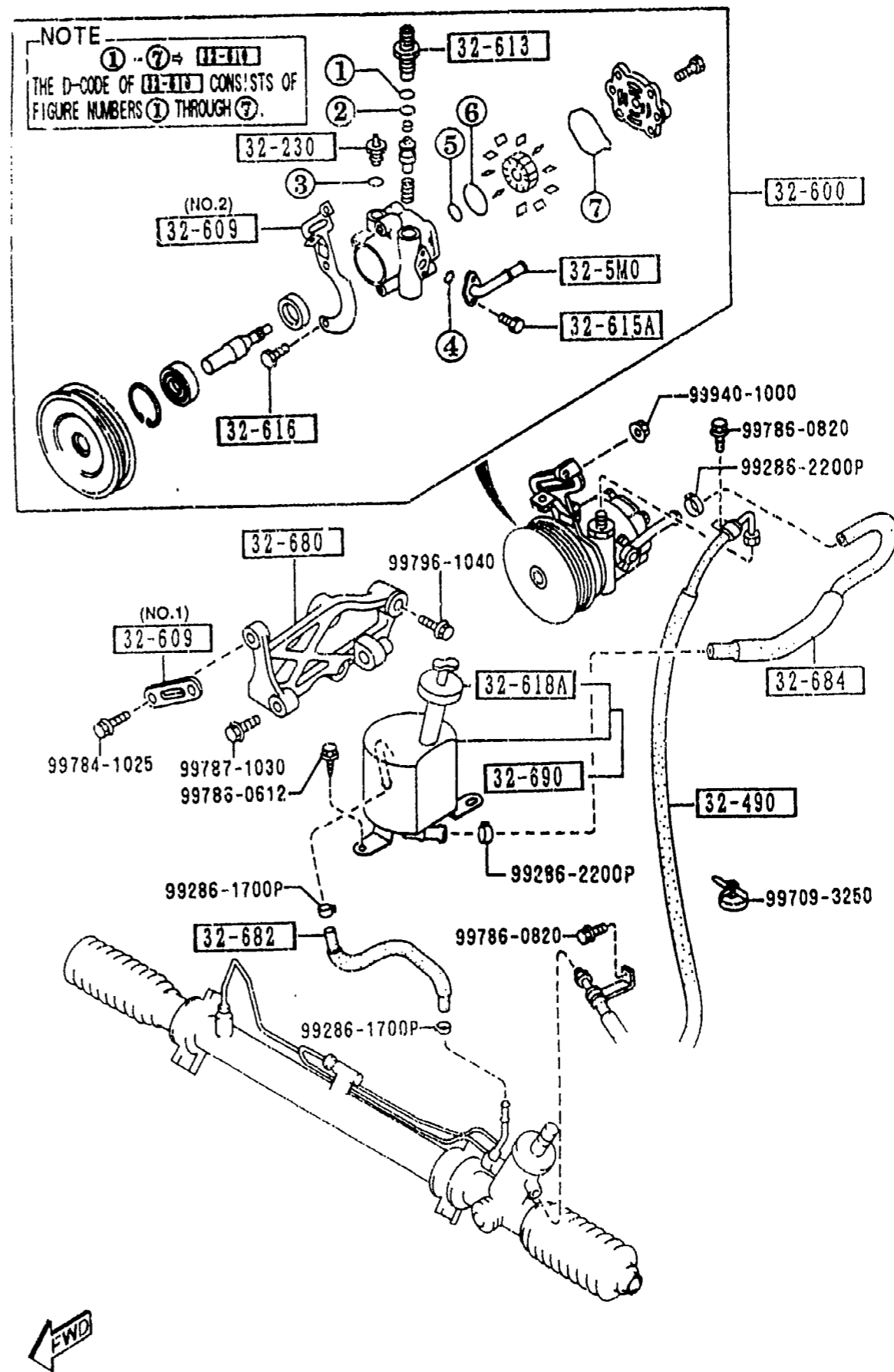
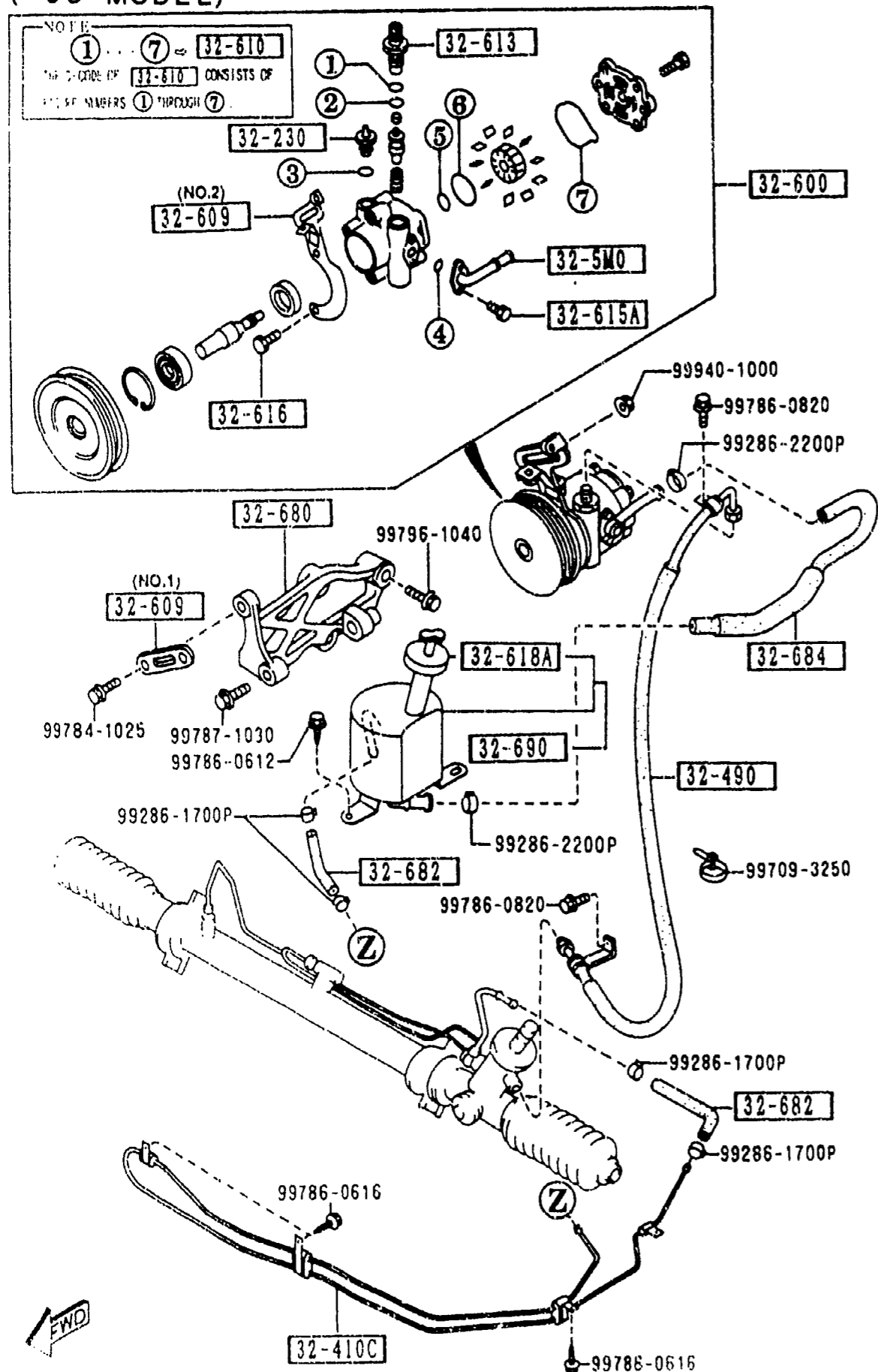
('96 MODEL)



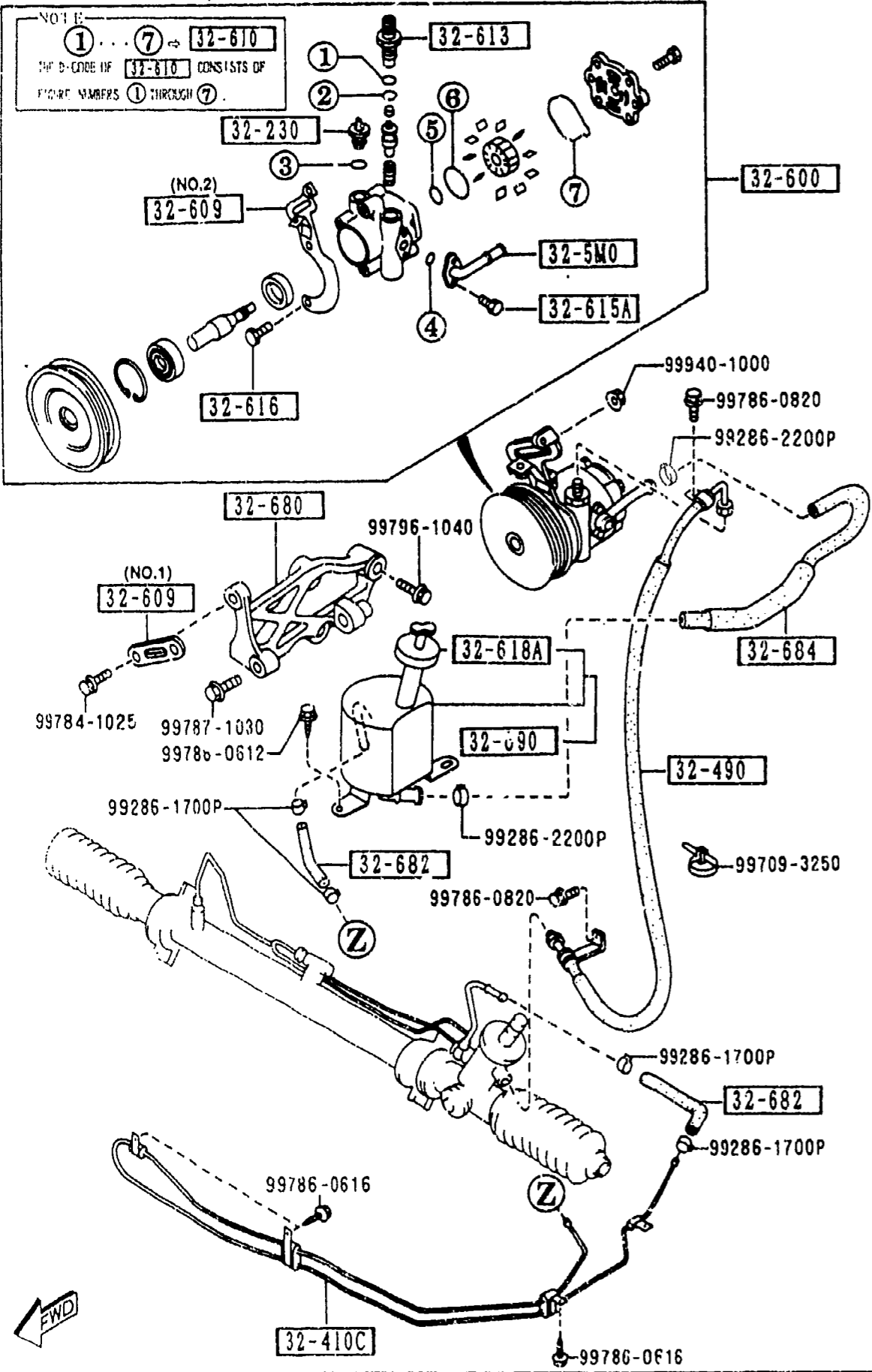
PART NO.	QTY	MODEL/RESTRICTION	MODEL/RESTRICTION	MODEL/RESTRICTION	FROM-TO
32-961		BOLT			
6030-32-961	4				

(95 MODEL)

(96 MODEL)



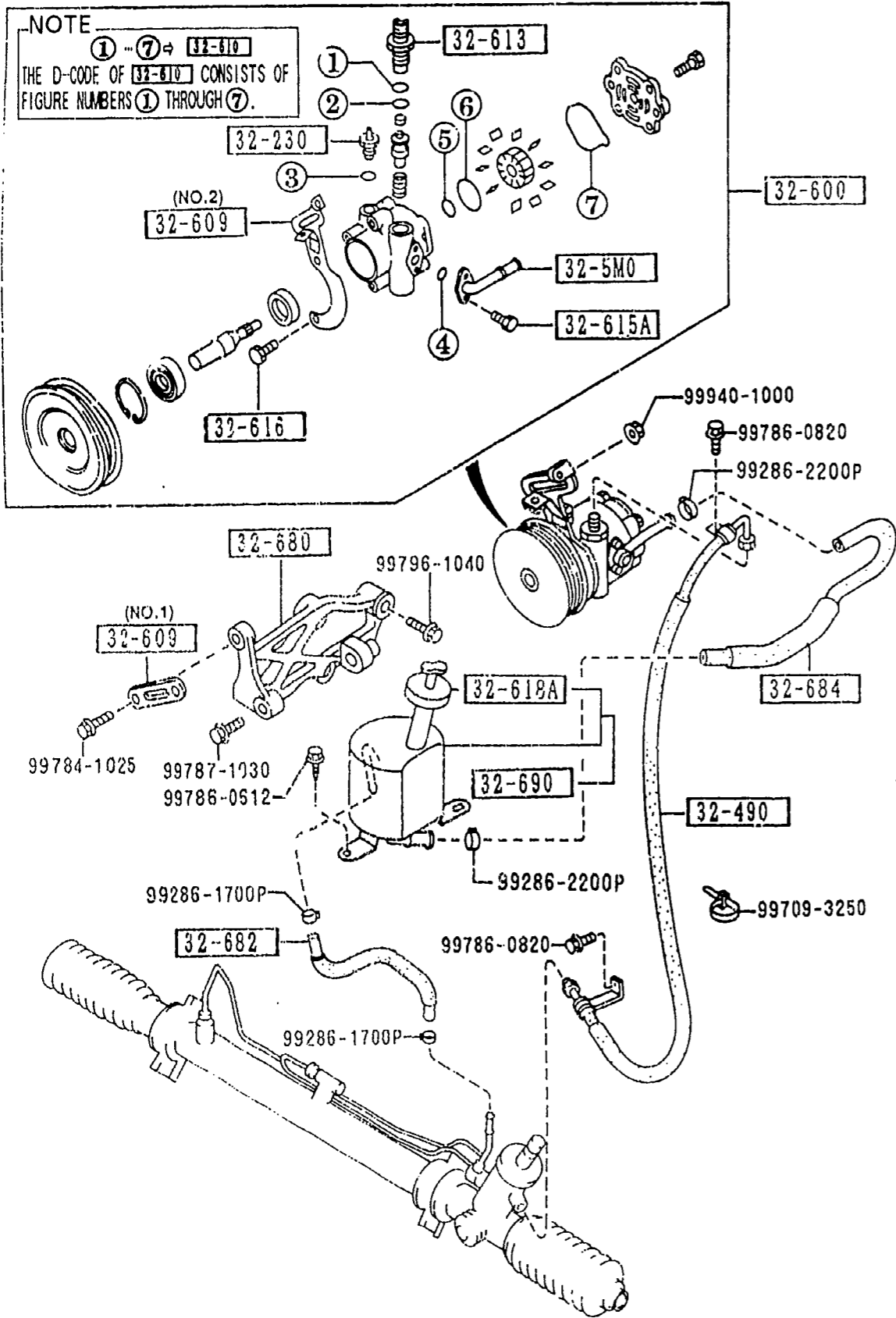
('95 MODEL)



PART NO.	QTY	MODEL/RESTRICTION	MODEL/RESTRICTION	MODEL/RESTRICTION	FROM-TO
32-230		SENSOR, STEERING PRES SURE			-5901
B456-32-230	1				5901-
B456-32-230A	1				
32-410C		PIPE, RETURN			
NA02-32-410A	1	('95 MODEL)			
32-490		HOSE, PRESSURE			
NA02-32-490C	1				
32-5M0		PIPE, SUCTION			
N002-32-5M0	1				-5901
N002-32-5M0A	1				5901-
32-600		PUMP, VANE			
N002-32-600B	1				-5901
AI (N002-32-600D)					
N002-32-600D	1				5901-
32-609		BRACKET, VANE PUMP			
NA02-32-609	1	KUROISHI TEKKO (ILLUST. NO.1)			
N002-32-609	1	NIHON POWER STEERING (ILLUST. NO.2)			
32-610		SEAL KIT, VANE PUMP			
N002-32-610	1				-5901
N002-32-610A	1				5901-
32-613		NIPPLE, VANE PUMP			
N002-32-613	1				
32-615A		BOLT			
B456-32-615	2				
32-616		BOLT, VANE PUMP			
B456-32-616	2				
32-618A		CAP, VANE PUMP TANK			
NA02-32-691	1				

5901 NA3** -702989

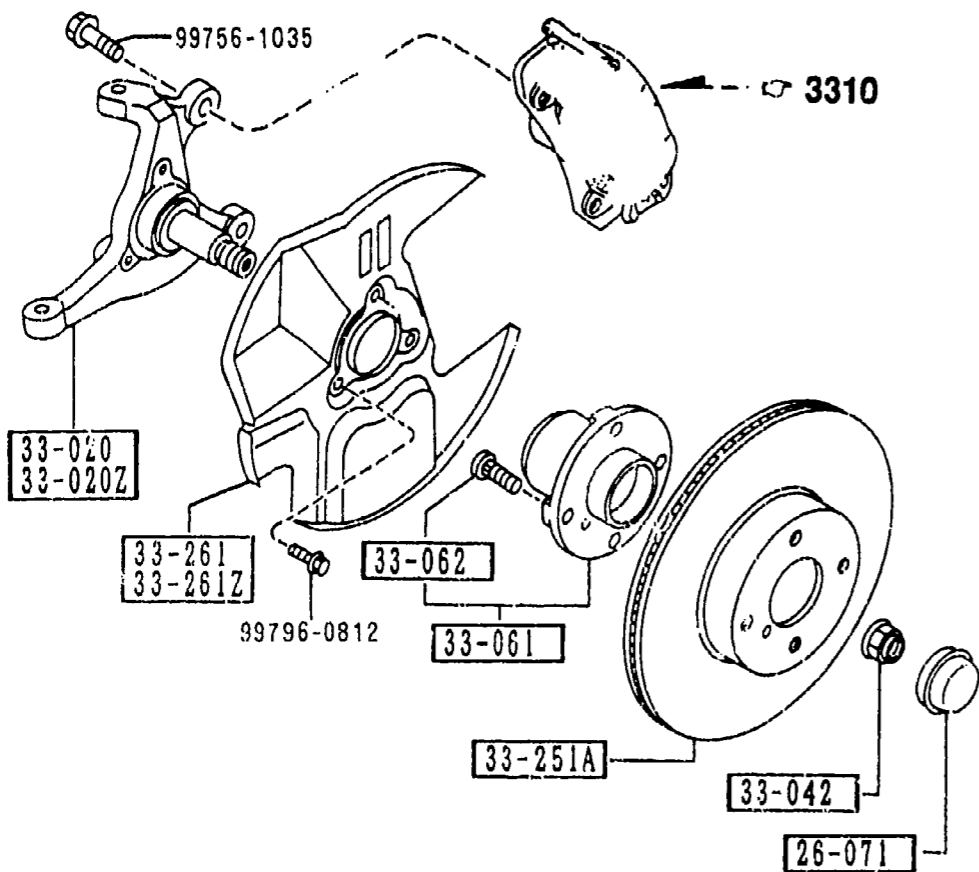
('96 MODEL)



PART NO.	QTY	MODEL/RESTRICTION	MODEL/RESTRICTION	MODEL/RESTRICTION	FROM-TO
32-680		BRACKET, VANE PUMP			
NA02-32-680	1				
32-682		HOSE, RETURN			
NA02-32-682	2	('95 MODEL)			
NB11-32-682	1	('96 MODEL)			
32-684		HOSE, RETURN			
NA02-32-684B	1				
32-690		TANK, VANE PUMP			
NA02-32-690A	1	('95 MODEL)			
NB11-32-690	1	('96 MODEL)			

3300 FRONT AXLE
(W/O ANTILOCK BRAKE)

3300 -1 * FRONT AXLE
(W/O ANTILOCK BRAKE)

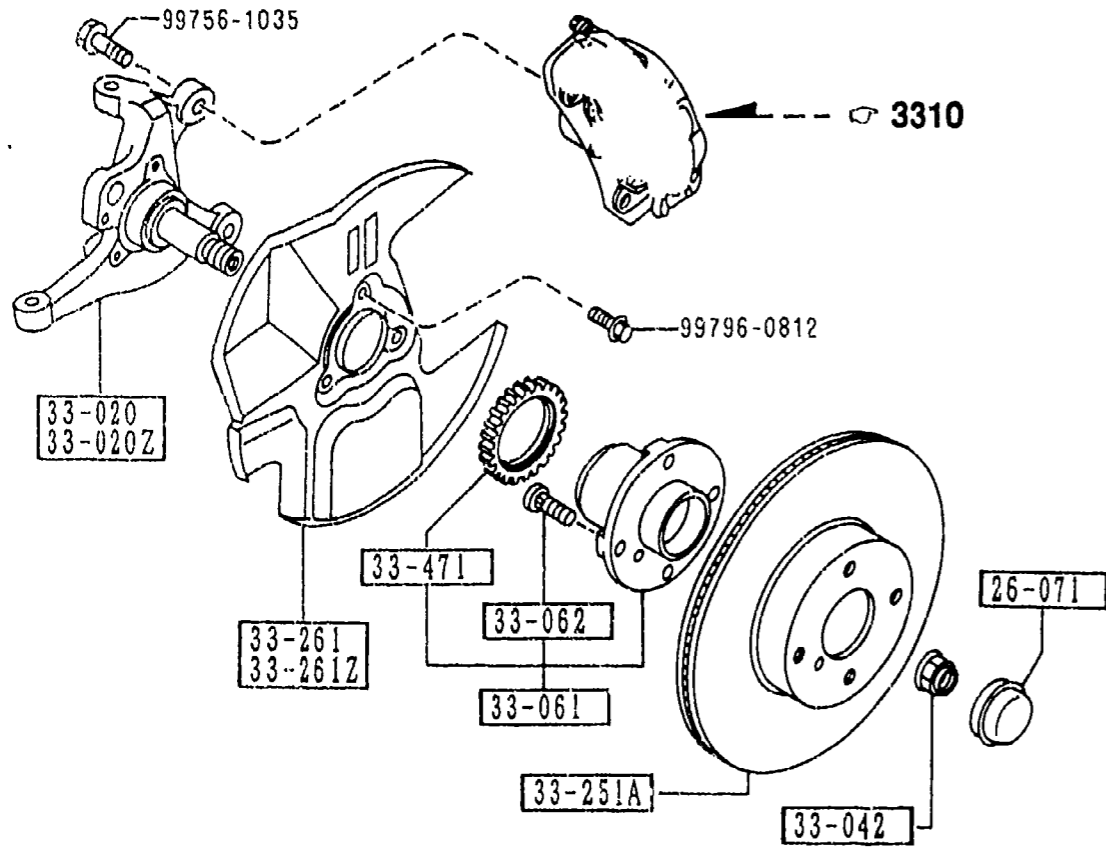


PART NO.	QTY	MODEL/RESTRICTION	MODEL/RESTRICTION	MODEL/RESTRICTION	FROM-TO
26-071		CAP, HUB			
B455-26-071	2				
33-020		KNUCKLE(R), STEERING			
NA01-33-021B	1				
33-020Z		KNUCKLE(L), STEERING			
NA01-33-031B	1				
33-042		NUT			
D06Y-33-042	2	W/WASHER			
33-061		HUB, WHEEL			
NA01-33-04X	2				
33-062		BOLT, HUB			
B455-33-062	8				
33-251A		PLATE, DISC			
NA75-33-25X	2				
33-261		COVER(R), DUST			
NA75-33-261	1				
33-261Z		COVER(L), DUST			
NA75-33-271	1				



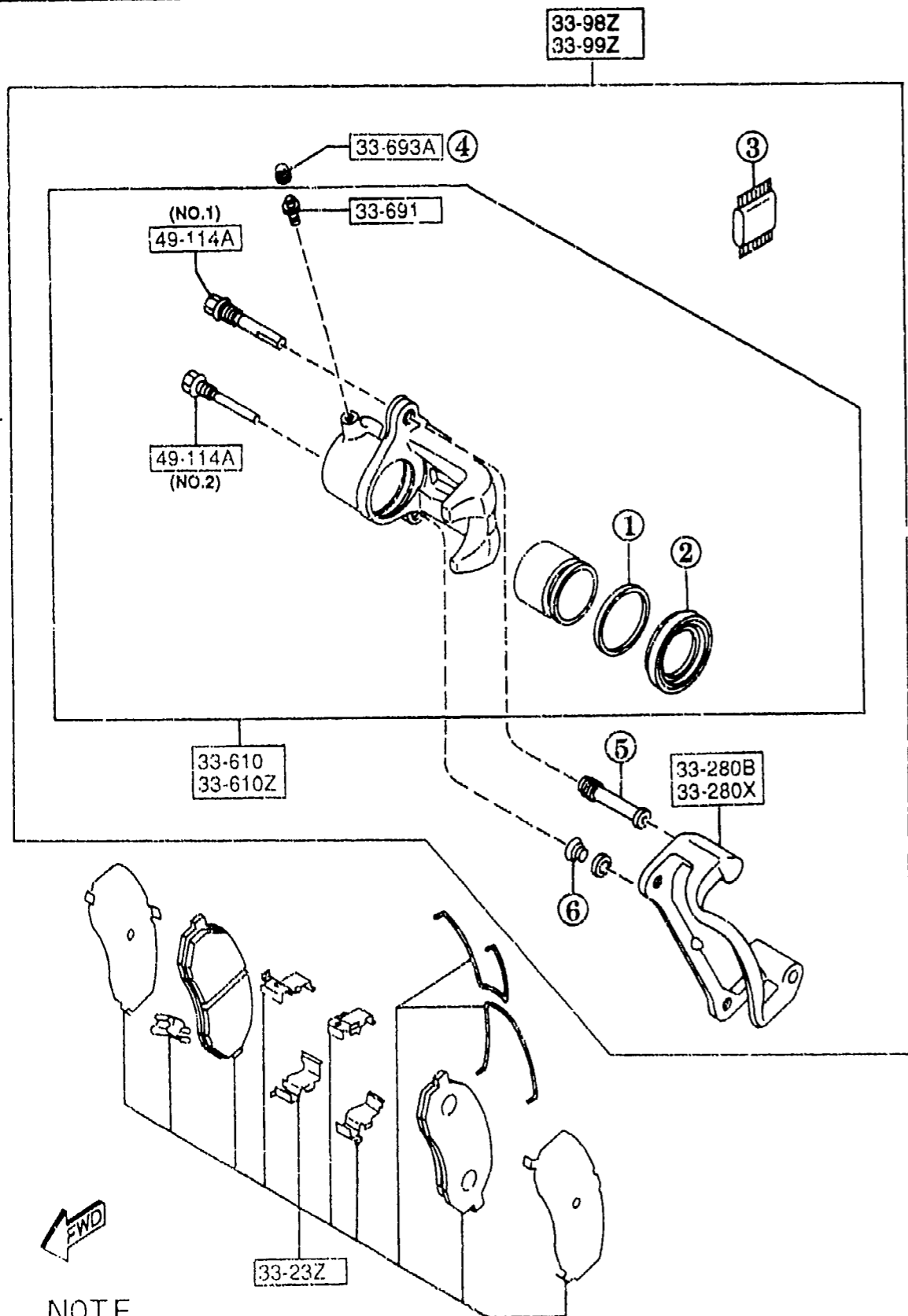
3300 A FRONT AXLE
(W/ANTILOCK BRAKE)

3300 A-1 * FRONT AXLE
(W/ANTILOCK BRAKE)



PART NO.	QTY	MODEL/RESTRICTION	MODEL/RESTRICTION	MODEL/RESTRICTION	FROM-TO
26-071		CAP, HUB			
B455-26-071	2				
33-020		KNUCKLE(R), STEERING			
NA23-33-021B	1				
33-020Z		KNUCKLE(L), STEERING			
NA23-33-031B	1				
33-042		NUT			
D06Y-33-042	2	W/WASHER			
33-061		HUB, WHEEL			
NA23-33-04XA	2				
33-062		BOLT, HUB			
B455-33-062	6				
33-251A		PLATE, DISC			
NA75-33-25X	2				
33-261		COVER(R), DUST			
NA75-33-261	1				
33-261Z		COVER(L), DUST			
NA75-33-271	1				
33-471		ROTOR, SENSOR-FRT A. B .S.			
NA23-33-471B	2				





NOTE
 ①...⑥ ⇒ 33-26Z
 THE D-CODE OF 33-26Z CONSISTS OF
 FIGURE NUMBERS ① THROUGH ⑥.

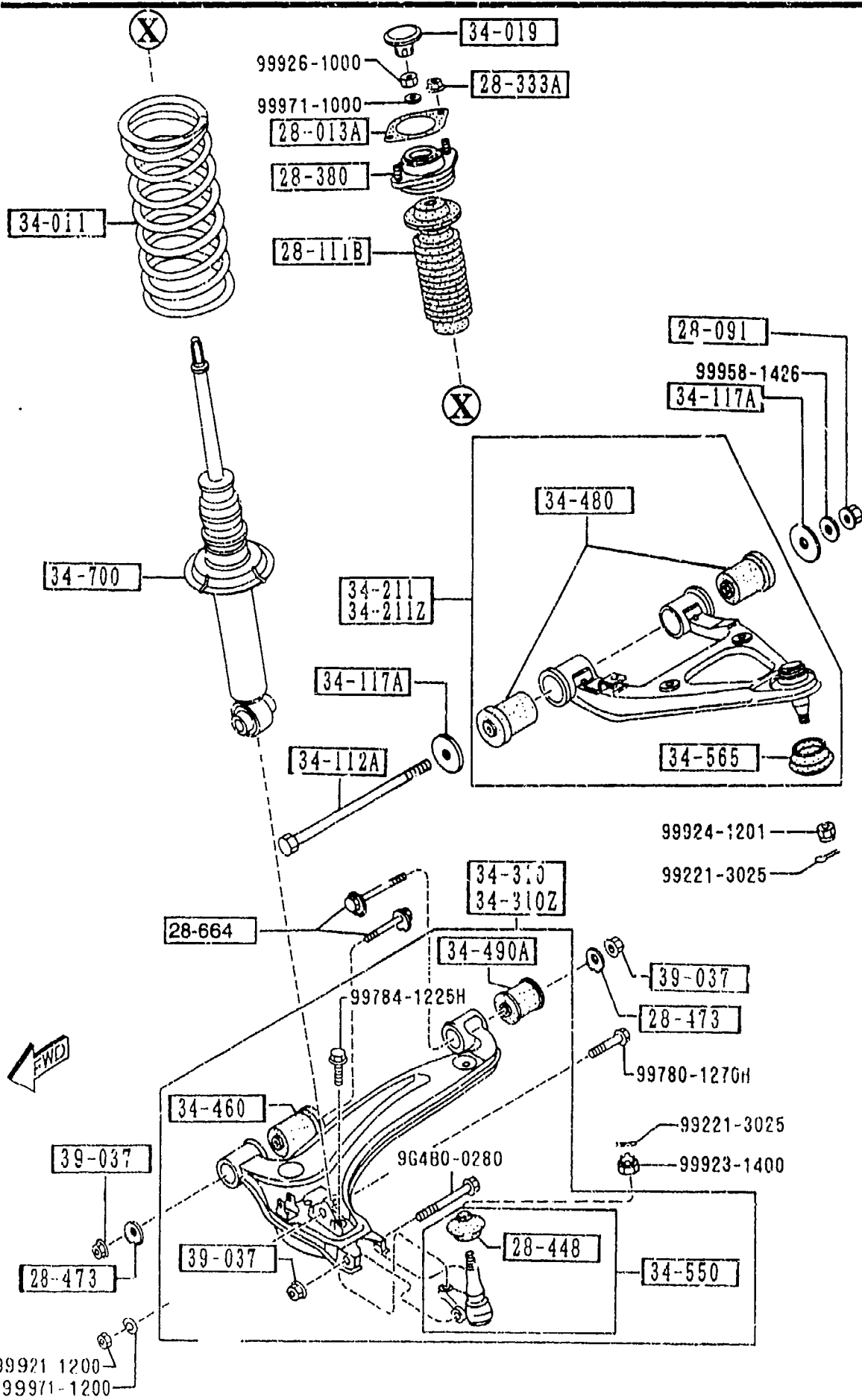
THOUGH ILLUSTRATIONS OF D-CODE 33-23Z
 AND 33-26Z ARE FOR LEFT SIDE ONLY,
 QUANTITIES OF THESE D-CODES IN THE
 TEXT ARE FOR ONE VEHICLE.

PART NO.	QTY	MODEL/RESTRICTION	MODEL/RESTRICTION	MODEL/RESTRICTION	FROM-TO
33-23Z NAY5-33-23Z AN(NAY5-33-23ZA)	1	PAD SET,FRT CALIPER			-5C01
*NAY5-33-23ZA	1				5C01-
33-26Z NAY5-33-26Z	1	SEAL & BOOT SET,CAL. -FRT			
33-280B NA75-33-281	1	SUPPORT(R),MOUNTING			
33-280X NA75-33-291	1	SUPPORT(L),MOUNTING			
33-610 NA75-33-61X	1	BODY & PISTON(R),CAL IPER			
33-610Z NA75-33-71X	1	BODY & PISTON(L),CAL IPER			
33-691 B001-33-691	2	SCREW,BLEEDER			
33-693A 0259-33-693	2	CAP,BLEEDER SCREW			
33-98Z *NAZ5-33-98Z	1	CALIPER(R),PADLESS-F R			
33-99Z *NAZ5-33-99Z	1	CALIPER(L),PADLESS-F R			
49-114A 8173-49-114	2	PIN,SLIDER (ILLUST. NO.1)			
49-114A 8239-49-114	2	(ILLUST. NO.2)			

5C01 NA3** -706448

3400 FRONT SUSPENSION MECHANISMS

3400 -1 FRONT SUSPENSION MECHANISMS

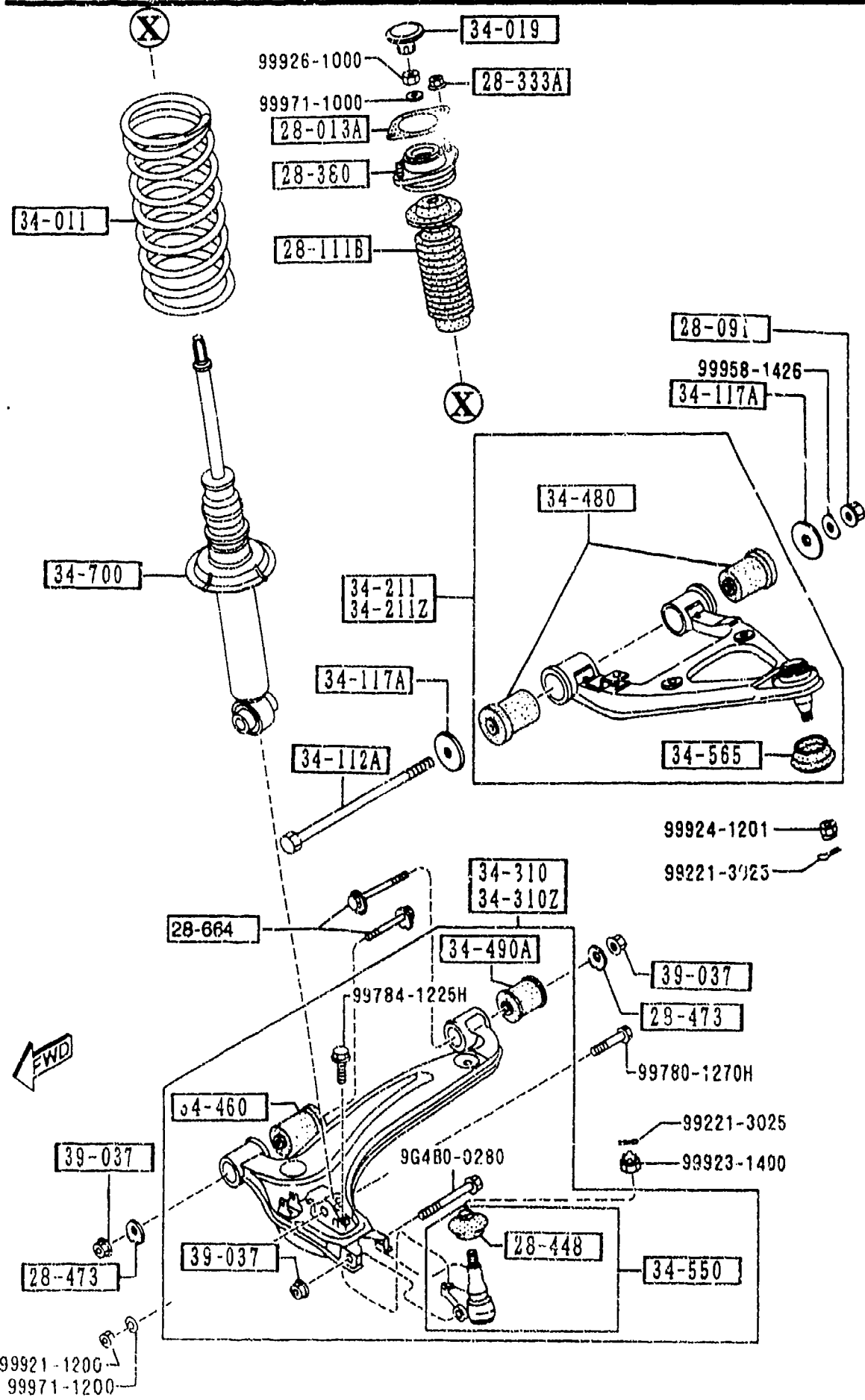


PART NO.	QTY	MODEL/RESTRICTION	MODEL/RESTRICTION	MODEL/RESTRICTION	FROM-TO
28-013A		SHEET, RUBBER			
G030-28-013A	2				
28-091		NUT			
FB01-28-091A	2				
28-111B		STOPPER, BUMP			
N021-34-111	2				
28-333A		NUT, FLANGE			
H001-28-333	4				
28-380		RUBBER, MOUNTING			
NA01-28-380B	2				
28-448		SEAL, DUST-BALL JOINT			
H266-28-448	2				
28-473		PLATE, CAM-SUB FRAME			
NA75-34-473	4				-5815
NA80-28-473	4				5815-
28-664		BOLT, ADJUST			
NA75-34-4A0	4				-4801
NA75-34-4A0A	4				4801-5815
*NA80-28-66Z A (NA80-28-66ZB)	4				5815-6401
*NA80-28-66ZB	1				6401-
34-011		SPRING, COIL-FRONT			
NA03-34-011	2 (MT)				
NA01-34-011	2 (AT)				
34-019		CAP, DAMPER			
NA01-34-019	2				-4801
34-112A		BULT			
NA01-34-112	2				
34-117A		WASHER			

4801 NA35* -606043
 5815 NA3** -705265
 6401 NA3** -717767



3400 FRONT SUSPENSION MECHANISMS

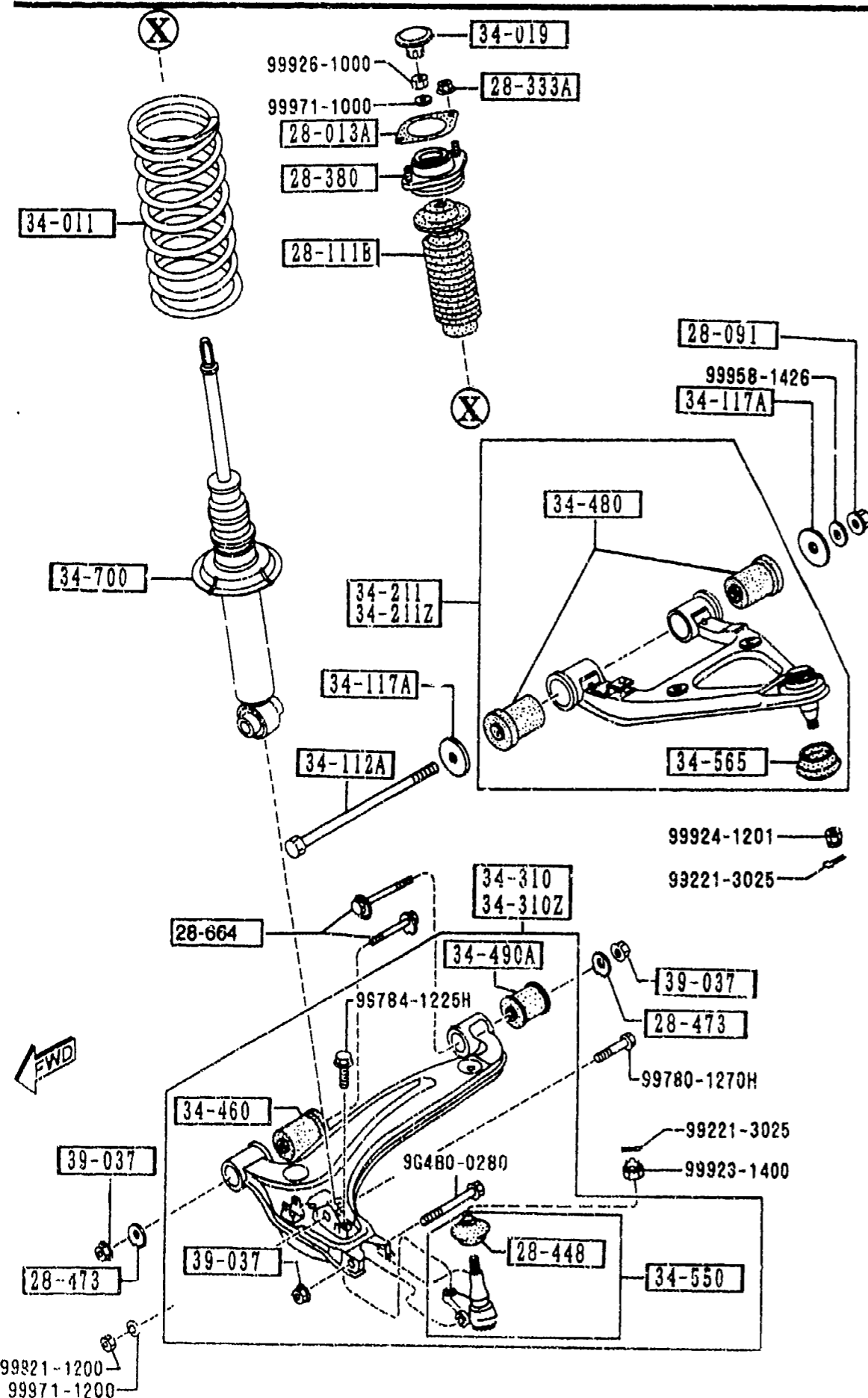


3400 -2 FRONT SUSPENSION MECHANISMS

PART NO.	QTY	MODEL/RESTRICTION	MODEL/RESTRICTION	MODEL/RESTRICTION	FROM-TO
CONT'D					
NA01-34-117A	4				
34-211		ARM(R),UPPER			
NA01-34-200A	1	(W/O A. LOCK BRAKE)			
NA23-34-200	1	(W/A. LOCK BRAKE)			
34-211Z		ARM(L),UPPER			
NA01-34-200A	1	(W/O A. LOCK BRAKE)			
NA23-34-200	1	(W/A. LOCK BRAKE)			
34-310		ARM(R),LOWER			
NA75-34-300A	1	(W/O A. LOCK BRAKE)			-4A01
NA75-34-300A	1	(W/A. LOCK BRAKE)			6A01-
M040-34-300	1	(W/A. LOCK BRAKE)			
34-310Z		ARM(L),LOWER			
NA75-34-350A	1	(W/O A. LOCK BRAKE)			-7A01
NA75-34-350A	1	(W/A. LOCK BRAKE)			6A01-
M040-34-350	1	(W/A. LOCK BRAKE)			
34-460		BUSH,RUBBER-LWR ARM			
NA01-34-460A	2				
34-480		BUSHING,RUBBER-LOWER ARM			
NA01-34-480A	4				
34-490A		BUSHING,RUBBER			
NAC1-34-490	2				
34-550		BALL JOINT,LOWER			
NA01-34-550	2				
34-565		SEAL,DUST			
NA01-34-548	2				
34-700		DAMPER,FRONT			
NA53-34-700B	2	((EXC. BILSTEIN DAMP.)>(W/A. LOCK BRAKE))			
N018-34-700B	2	((EXC. BILSTEIN DAMP.)>(W/O A. LOCK BRAKE))			

4A01 NA35* -603621

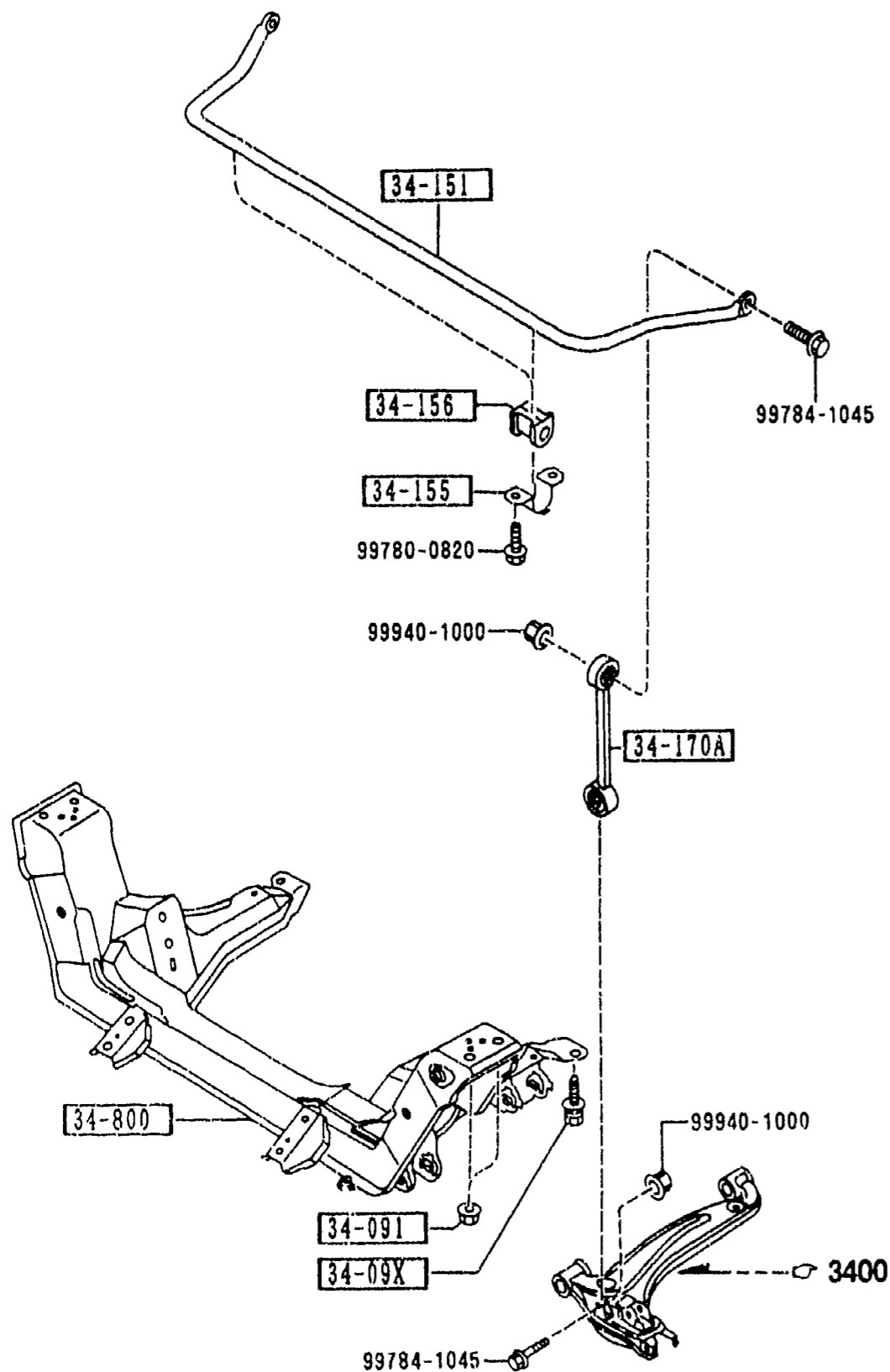
3400 FRONT SUSPENSION MECHANISMS



3400 -3 * FRONT SUSPENSION MECHANISMS

PART NO.	QTY	MODEL/RESTRICTION	MODEL/RESTRICTION	MODEL/RESTRICTION	FRGM-TO
CONT'D))			
N023-34-700C	2	((BILSTEIN DAMP.))>('95 MODEL)			
N023-34-700D	2	((BILSTEIN DAMP.))>('96 MODEL)			
39-037		NUT			
B037-28-091	6				-4801
R001-39-037B	6				4801-
4801 NA35* -606043					

3410 CROSSMEMBER & STABILIZER



AUNA05

3410 -1 * CROSSMEMBER & STABILIZER

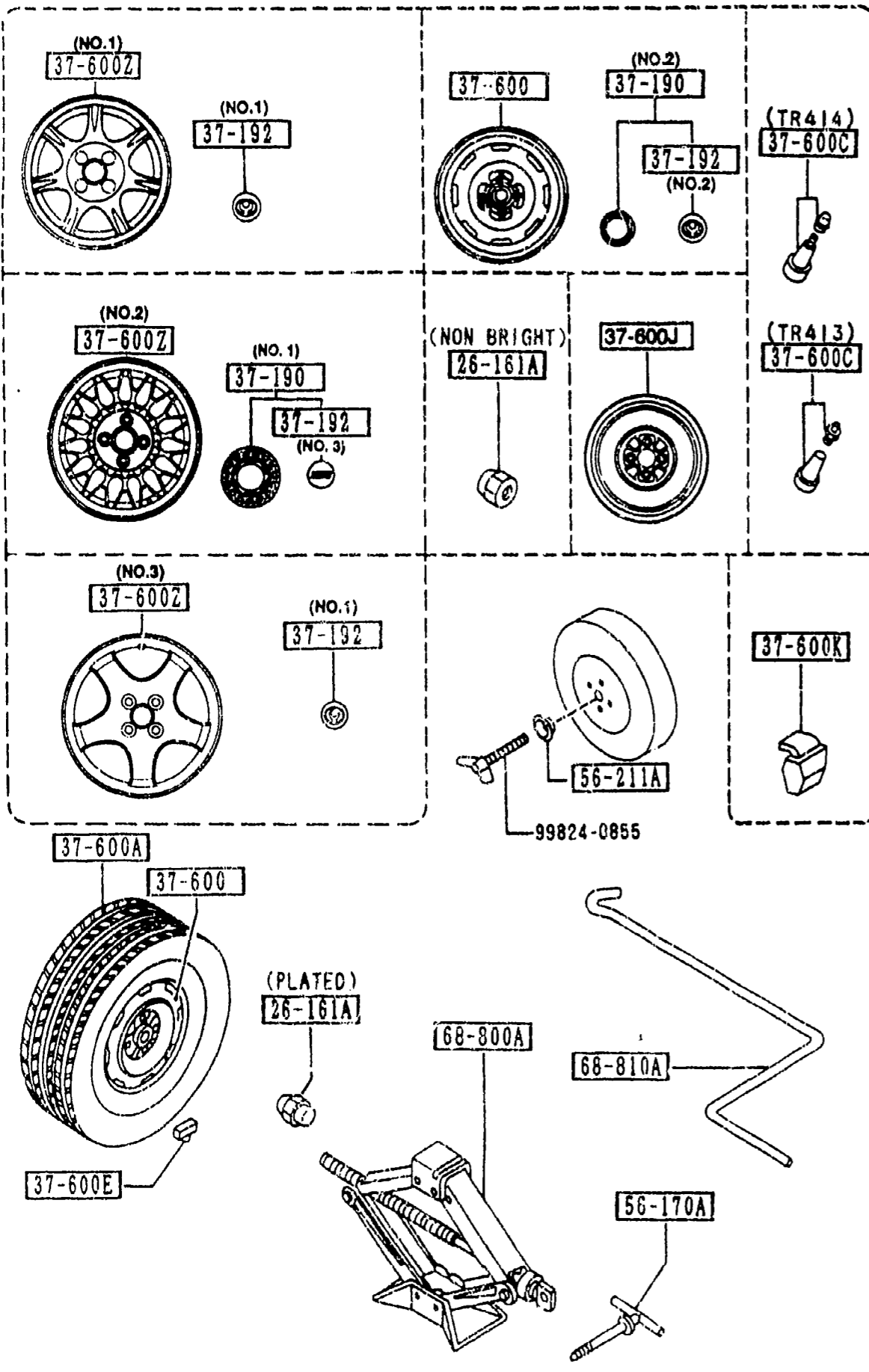
PART NO.	QTY	MODEL/RESTRICTION	MODEL/RESTRICTION	MODEL/RESTRICTION	FROM-TO
34-09X		BOLT			
NA01-34-09XA	4				
34-091		NUT			
801-34-091	4				
34-151		STABILIZER, FRONT			
NA75-34-151	1	(BILSTEIN DAMP.)			
NA80-34-151	1	(EXC. BILSTEIN DAMP.)			
34-155		PLATE, STABILIZER			
FB01-34-155	2				
34-156		BUSH, STABILIZER-FRT			
NA01-34-156A	2	(EXC. BILSTEIN DAMP.)			
NA75-34-156	2	(BILSTEIN DAMP.)			
34-170A		LINK, CONTROL-STAB			
NA01-34-170	2				
34-800		MEMBER, CROSS			
NA01-34-800C A (NA01-34-800D)	1				-5B15
NA01-34-800D	1				5B15-

5B15 HA3** -705265

CAT. AUNA05-04

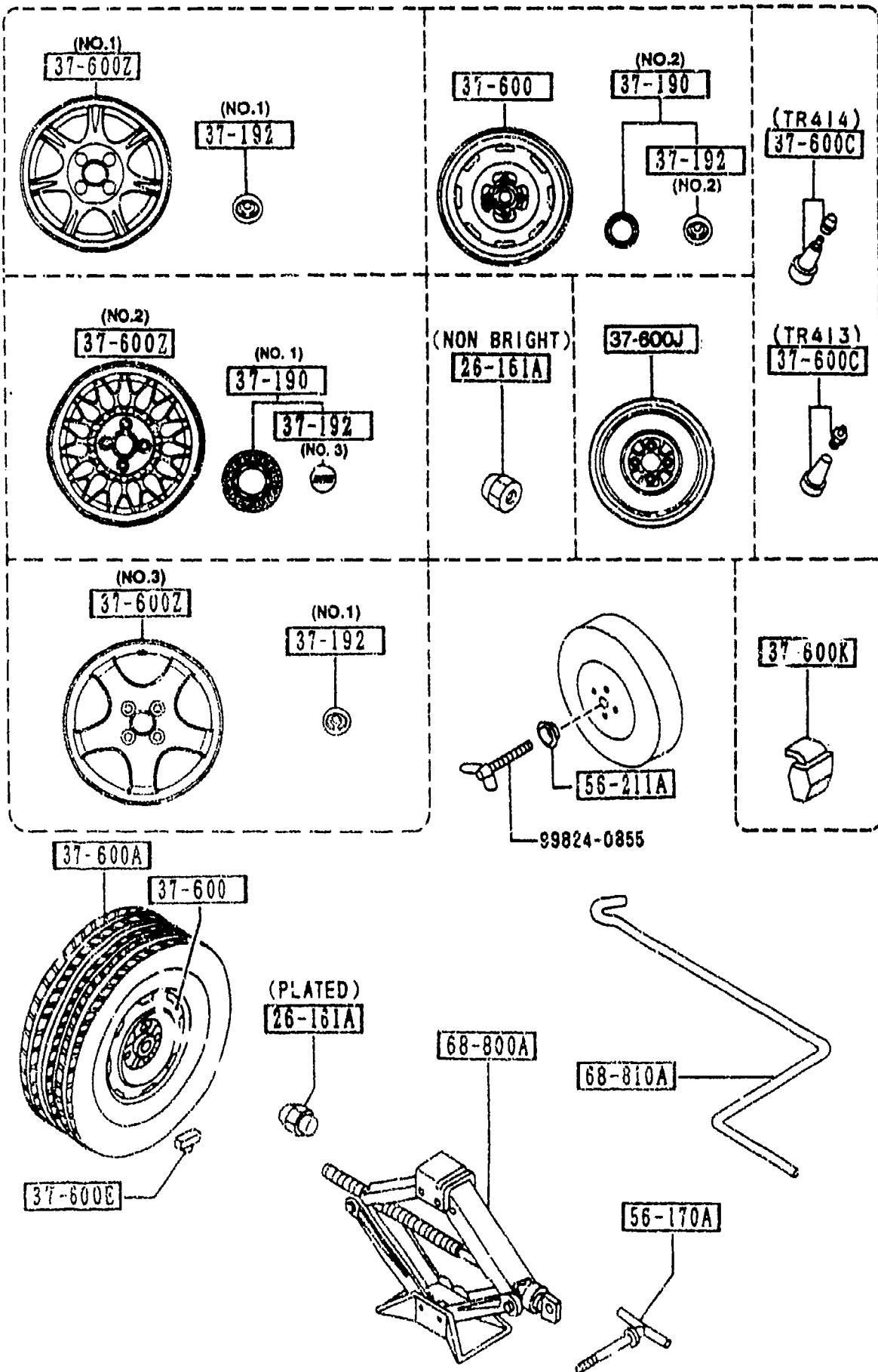
1997-07

3700 TIRES & JACK



3700 -1 TIRES & JACK

PART NO.	QTY	MODEL/RESTRICTION	MODEL/RESTRICTION	MODEL/RESTRICTION	FROM-TO
26-161A		NUT, HUB			
0603-26-161	16	NON BRIGHT			
B002-37-160	16	PLATED			
37-190		CAP, CENTER			
M011-37-190	4	(ILLUST. NO.1)			
NA53-37-190	4	(ILLUST. NO.2)			
37-192		EMBLEM, CAP-WHEEL			
EA02-37-192	4	(ILLUST. NO.1)			
GA7C-37-192	4	(ILLUST. NO.2)			
M011-37-192	4	(ILLUST. NO.3)			
37-600		WHEEL, DISC-STEEL			
9965B-95540	4	5.5JJX14 P=100/0-45			
37-600A		TIRE			
90620-47614	1	T115/70D14			
90623-06684	4	P185/60R14 DUNLOP			
90624-26684	4	P185/60R14 BS			
90625-56684	4	P185/60R14 YOKOHAMA			
37-600C		VALVE, AIR			
99636-04130	1	TR413			
99636-04140	4	TR414			
37-600E		WEIGHT, DISC WHEEL-ST			
99655-30005	4	EEL 50			
99655-30010	4	100			
99655-30015	4	150			
99655-30020	4	200			

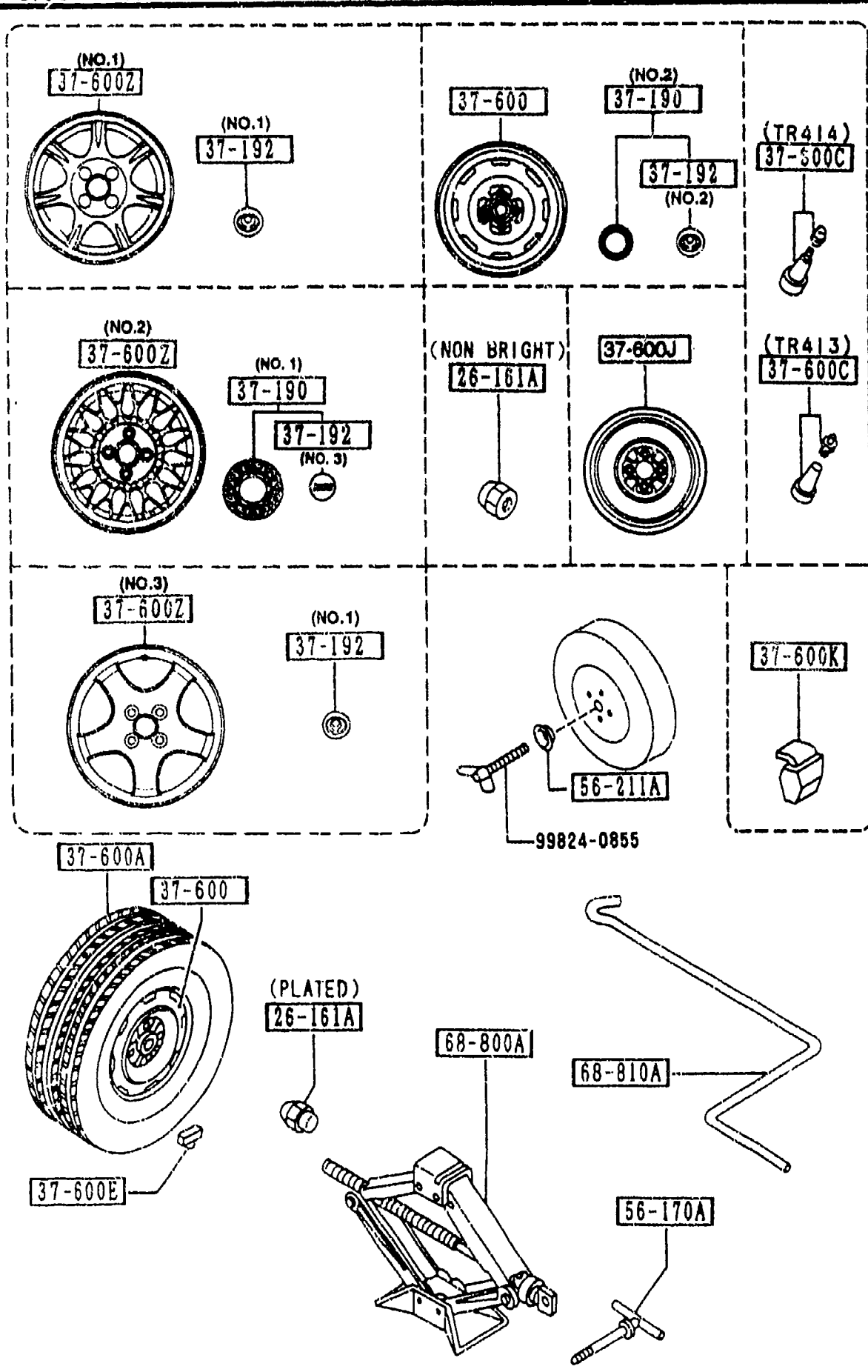


PART NO.	QTY	MODEL/RESTRICTION	MODEL/RESTRICTION	MODEL/RESTRICTION	FROM-TO
CONT'D					
99655-30025	4	250			
99655-30030	4	300			
99655-30035	4	350			
99655-30040	4	400			
99655-30045	4	450			
99655-30050	4	500			
99655-30055	4	550			
99655-30060	4	600			
99651-84040	1	WHEEL DISK-TEMPORARY 4TX14 P=100/O=45			-5101
*99652-14040	1	4TX14 P=100/O=45			5101-
99655-90005	4	WEIGHT, DISC WHEEL-AL UMI 50 FOR 1-PIECE WHL			
99655-90010	4	100 FOR 1-PIECE WHL			
99655-90015	4	150 FOR 1-PIECE WHL			
99655-90020	4	200 FOR 1-PIECE WHL			
99655-90025	4	250 FOR 1-PIECE WHL			
99655-90030	4	300 FOR 1-PIECE WHL			
99655-90035	4	350 FOR 1-PIECE WHL			
99655-90040	4	400 FOR 1-PIECE WHL			
99655-90045	4	450 FOR 1-PIECE WHL			
99655-90050	4	500 FOR 1-PIECE WHL			
99655-90055	4	550 FOR 1-PIECE WHL			

5101 NA35* -612163

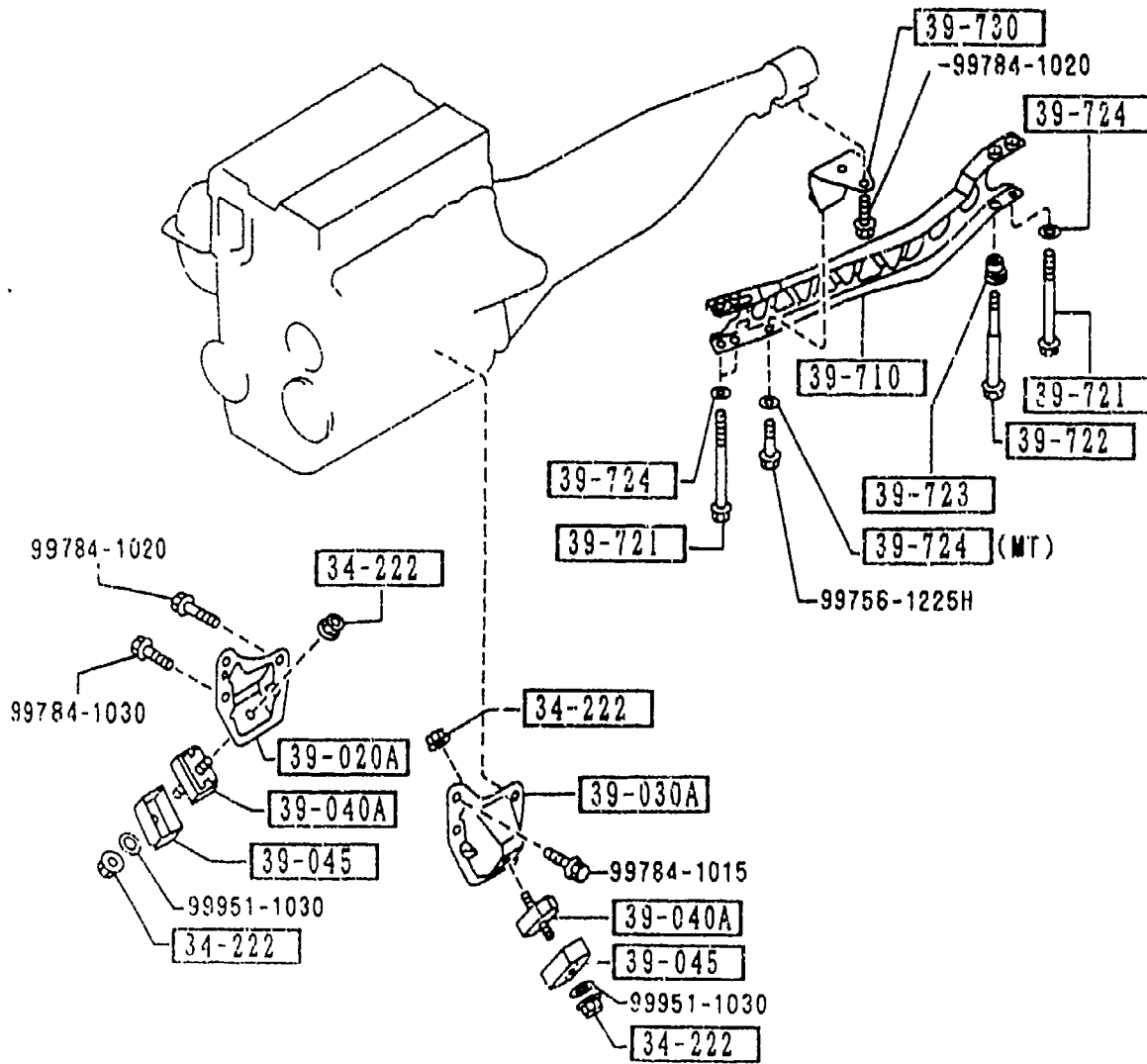
3700 TIRES & JACK

3700 -3 * TIRES & JACK



PART NO.	QTY	MODEL/RESTRICTION	MODEL/RESTRICTION	MODEL/RESTRICTION	FROM-TO
CONT'D 99655-90060	4	600 FOR 1-PIECE WHL			
+-----+ 37-600Z +-----+		WHEEL, DISC-ALUMI.			
99651-36040	4	6JJX14 SILVER (ILLUST. NO.1)			
99651-96040	4	6JJX14 BRIGHT (ILLUST. NO.1)			
9965C-36050	4	6JJX15 BBS (ILLUST. NO.2)			4A01-
9965E-86050	4	6JJX15 (ILLUST. NO.3)			5B15-
+-----+ 56-170A +-----+		BOLT, JACK SET			
8001-56-170C	1				
+-----+ 56-211A +-----+		PLATE, CLAMP-JACK			
1219-56-211	1				
+-----+ 68-800A +-----+		JACK			
8455-37-790A	1				
+-----+ 68-810A +-----+		HANDLE, JACK			
GJ21-37-810	1				

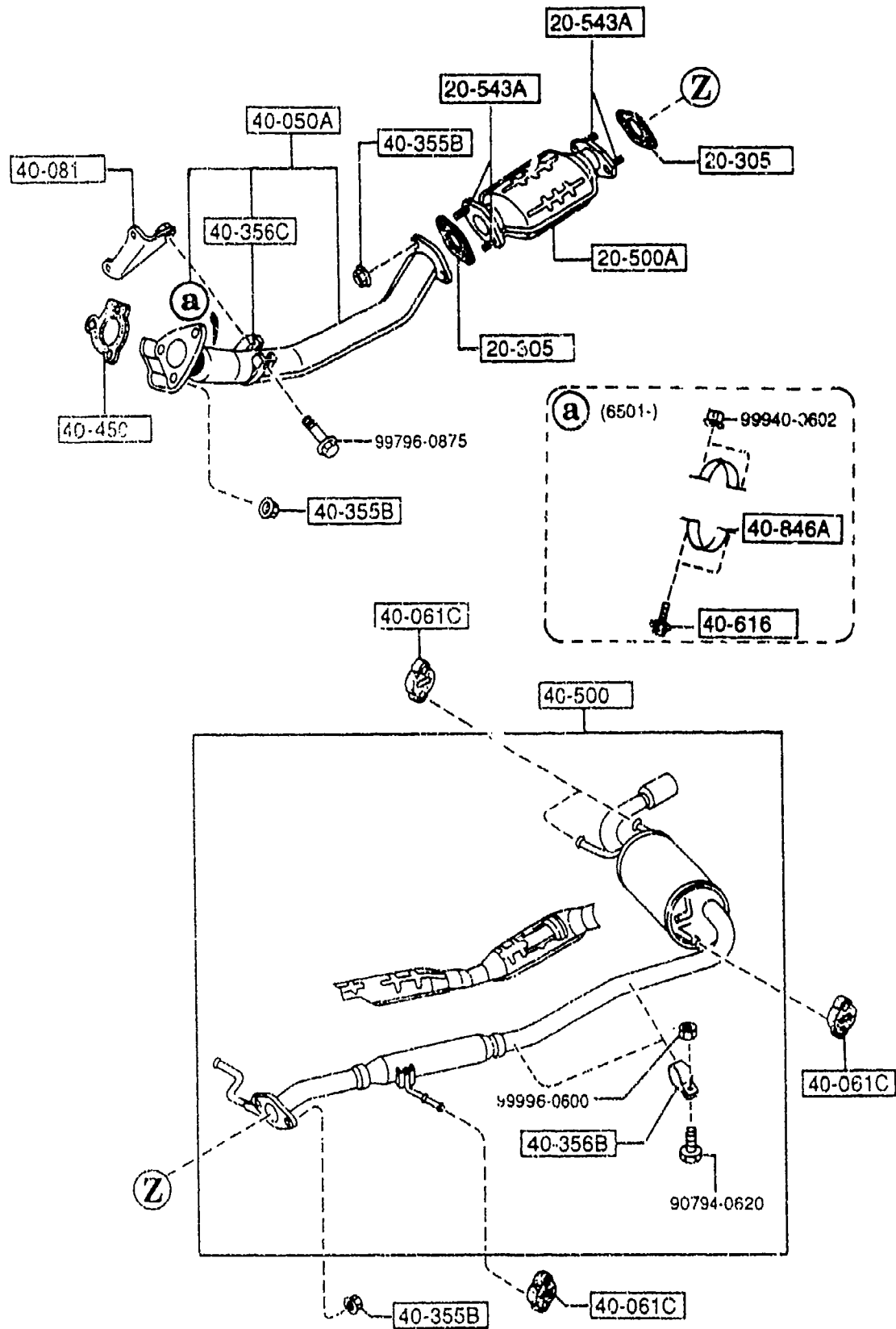
4A01 NA35* -603621
5B15 NA35* -705265



PART NO.	QTY	MODEL/RESTRICTION	MODEL/RESTRICTION	MODEL/RESTRICTION	FROM-TO
34-222		NUT			
8871-34-222	4				
39-020A		BRACKET(R),ENGINE			
NA75-39-021	1				
39-030A		BRACKET(L),ENGINE			
NA75-39-030	1				
39-040A		RUBBER,ENGINE MT.			
NA01-39-040A	2				
39-045		CASING,STOPPER			
NA01-39-041A	2 (MT)				
S231-39-041A	2 (AT)				-5703
NA01-39-041A	2 (AT)				5703-
39-710		FRAME,POWER PLANT			
NA75-39-710A A (NA01-39-710A)	1 (MT)				-4A17
NA81-39-710A	1 (AT)				-4A21
NA01-39-710A	1 (MT)				4A17-
NA03-39-710A	1 (AT)				4A21-
39-721		BOLT,PLANT FRAME			
NA01-39-721	3				
39-722		BOLT,PLANT FRAME			
NA01-39-722	1				
39-723		SPACER,PLANT FRAME			
NA01-39-723	1				
39-724		WASHER,PLAIN-FRAME			
NA01-39-724	3 (AT)				
NA01-39-724	4 (MT)				
39-730		BRACKET,PLANT FRAME			
NA01-39-730A	1 (MT)				

4A17 NA35* -604764
 4A21 NA35* -605228
 5703 NA35** -700001

4000 EXHAUST SYSTEM

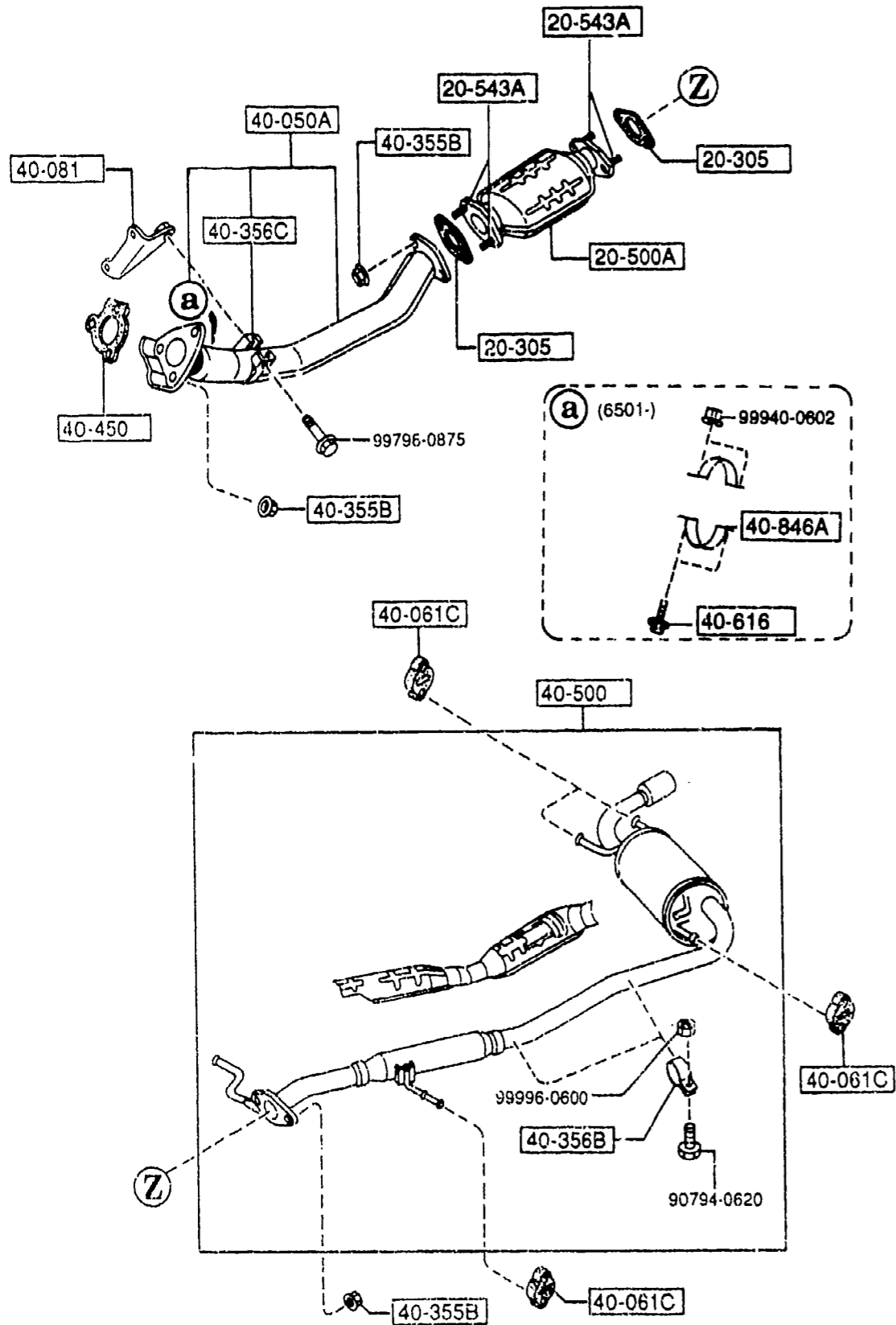


4000 -1 EXHAUST SYSTEM

PART NO.	QTY	MODEL/RESTRICTION	MODEL/RESTRICTION	MODEL/RESTRICTION	FROM-TO
20-305 B690-40-305	2	GASKET, EXH. PIPE-CONVERTER NON ASBESTOS			
20-500A BPE8-20-600 BPS1-20-600	1 1	CATALYST, THREE WAY ('95 MODEL) ('96 MODEL)			
20-543A *Z502-20-WA4	4	STUD			
40-050A BP56-40-500 A (BP56-40-500A)	1	PIPE, EXHAUST-FRONT			-6501
*BP56-40-500A AN (BP56-40-500B)	1				6501-6601
*BP56-40-500B	1				6601-
40-061C RF03-40-061	4	HANGER, SILENCER			
40-081 B690-40-080A	1	BRACKET, HANGER			
40-355B JE10-40-355	7	NUT			
40-356B B6A5-40-356	2	BAND			
40-356C B690-40-356	1	BAND			
40-450 B690-40-450	1	GASKET, CONVERTER NON ASBESTOS			
40-500 BPA5-40-100 BPA6-40-100 BP55-40-100C AN (BP55-40-100D)	1 1 1 1	SILENCER, MAIN (('96 MODEL) > (MT)) (('96 MODEL) > (AT)) (('95 MODEL) > (MT))			-4901

4901 NA35* -602618
6501 NA3** -718684
6601 NA3** -719621

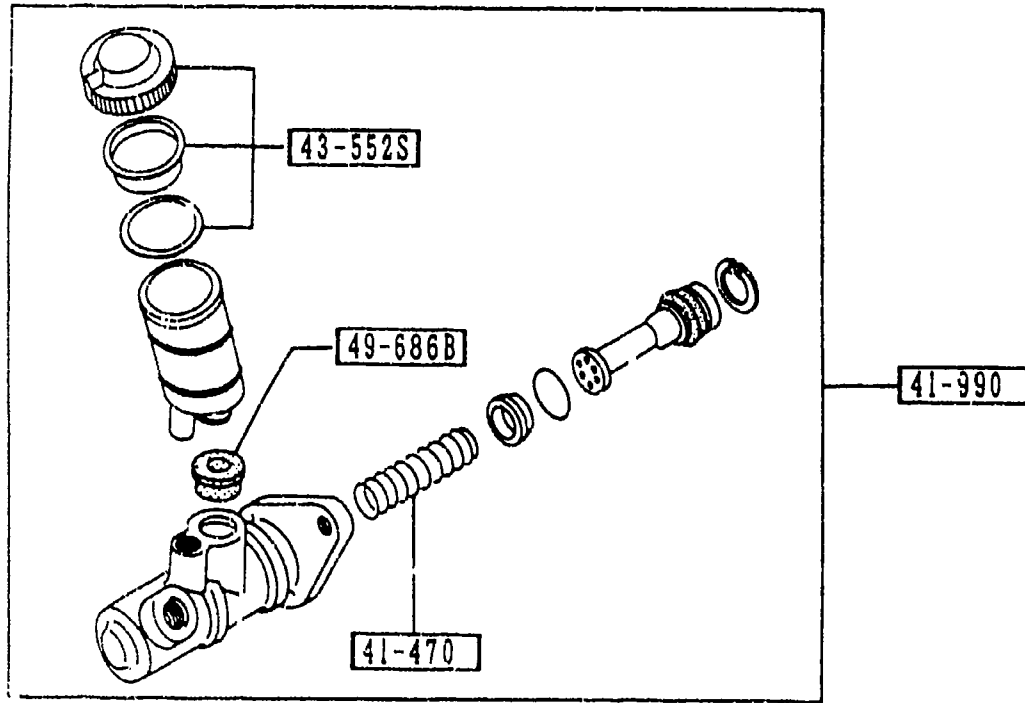
4000 EXHAUST SYSTEM



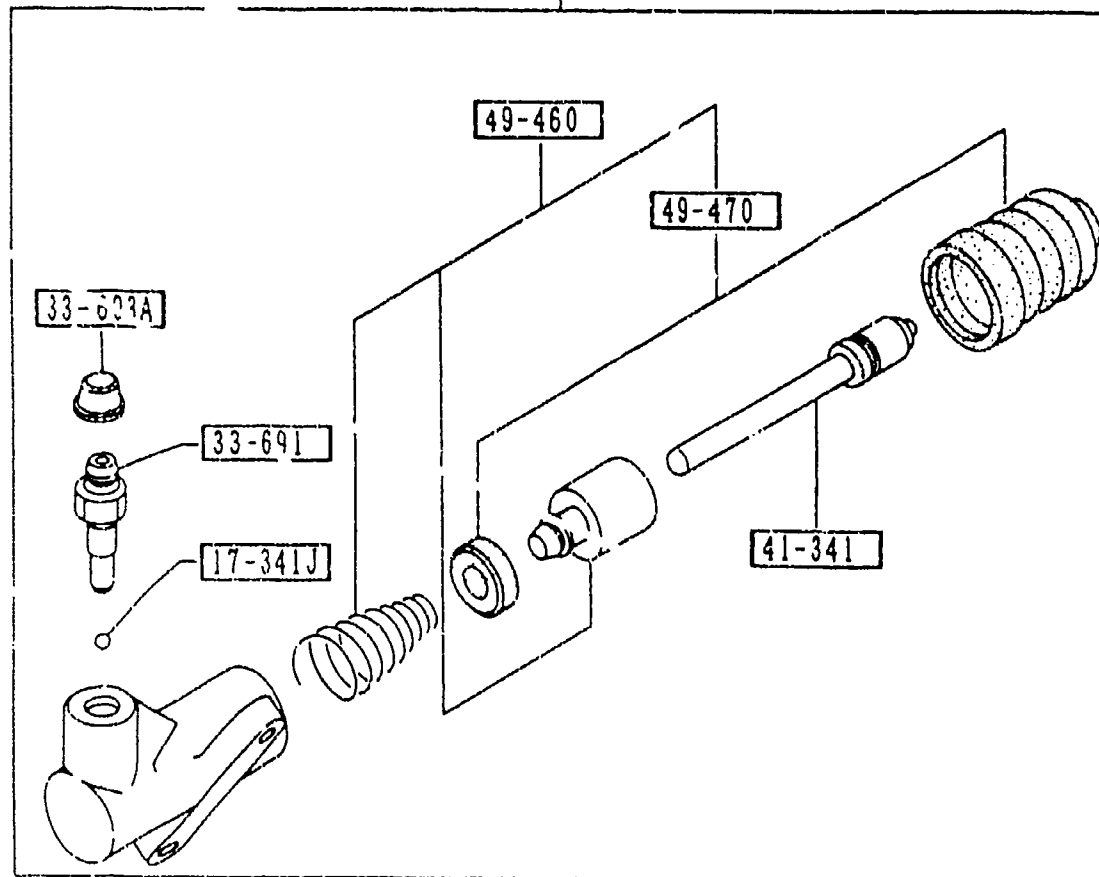
4000 -2 * EXHAUST SYSTEM

PART NO.	QTY	MODEL/RESTRICTION	MODEL/RESTRICTION	MODEL/RESTRICTION	FROM-TO
CONT'D					
BP56-40-100C AN(BP56-40-100D)	1	(('95 MODEL)) > (AT)			-4901
BP55-40-100D	1	(('95 MODEL)) > (MT)			4901-
BP56-40-100D	1	(('95 MODEL)) > (AT)			4901-
40-616		BOLT			
*E521-40-616	2				6501-
40-846A		BRACKET, PROTECTOR			
*F203-40-802	1				6501-

4901 NA35* -602618
6501 NA3** -718684



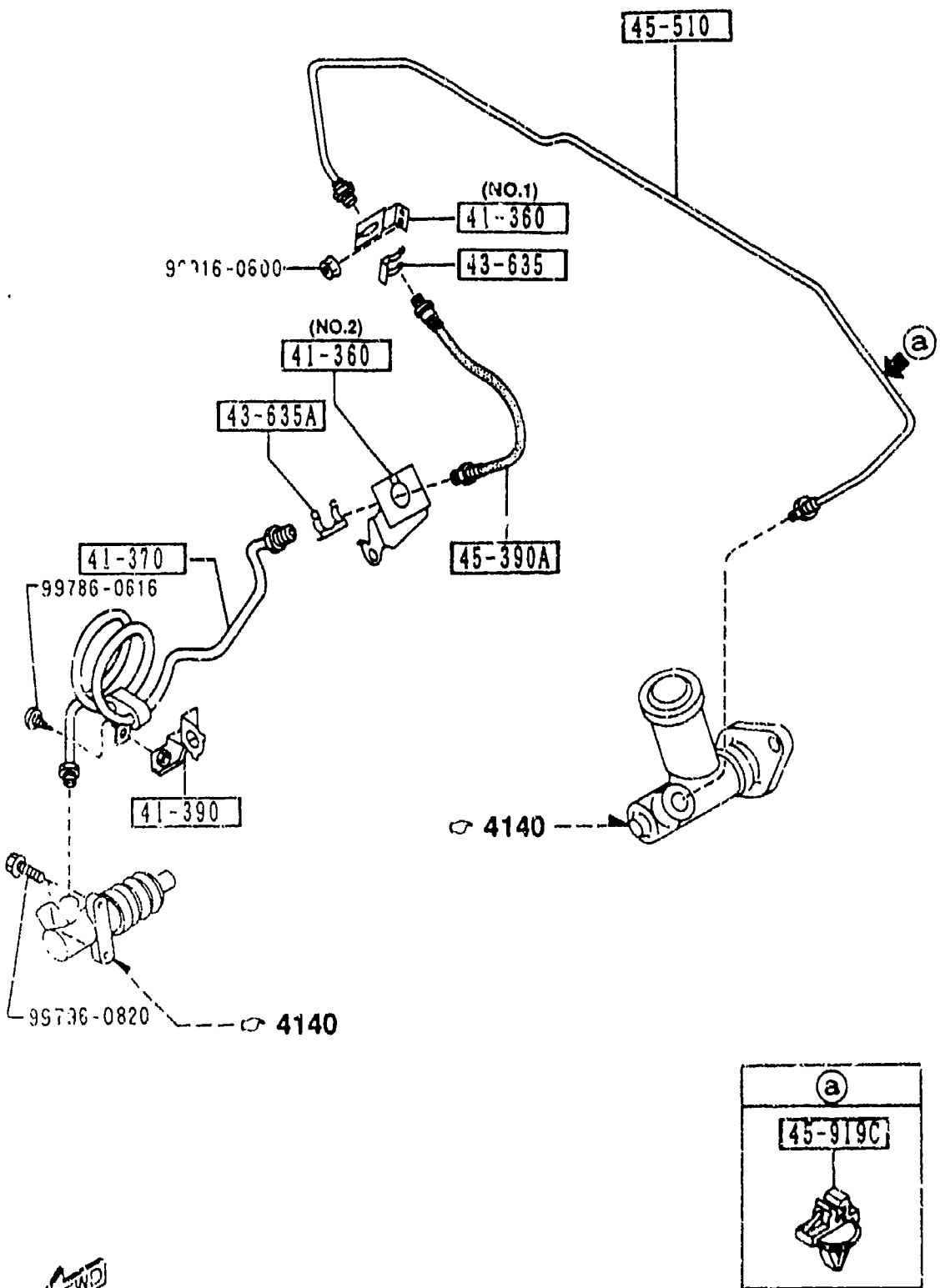
41-920



FWD

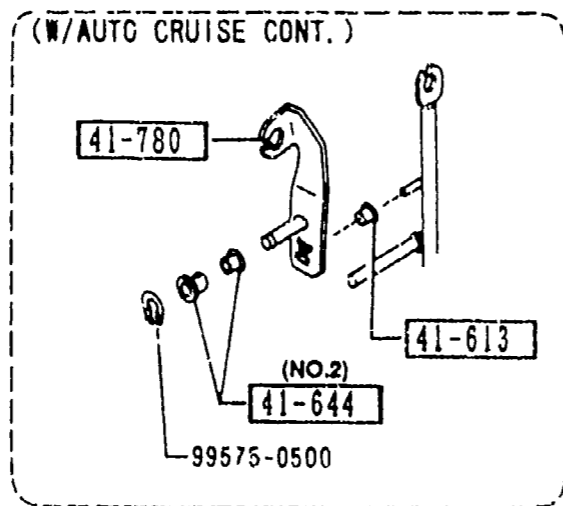
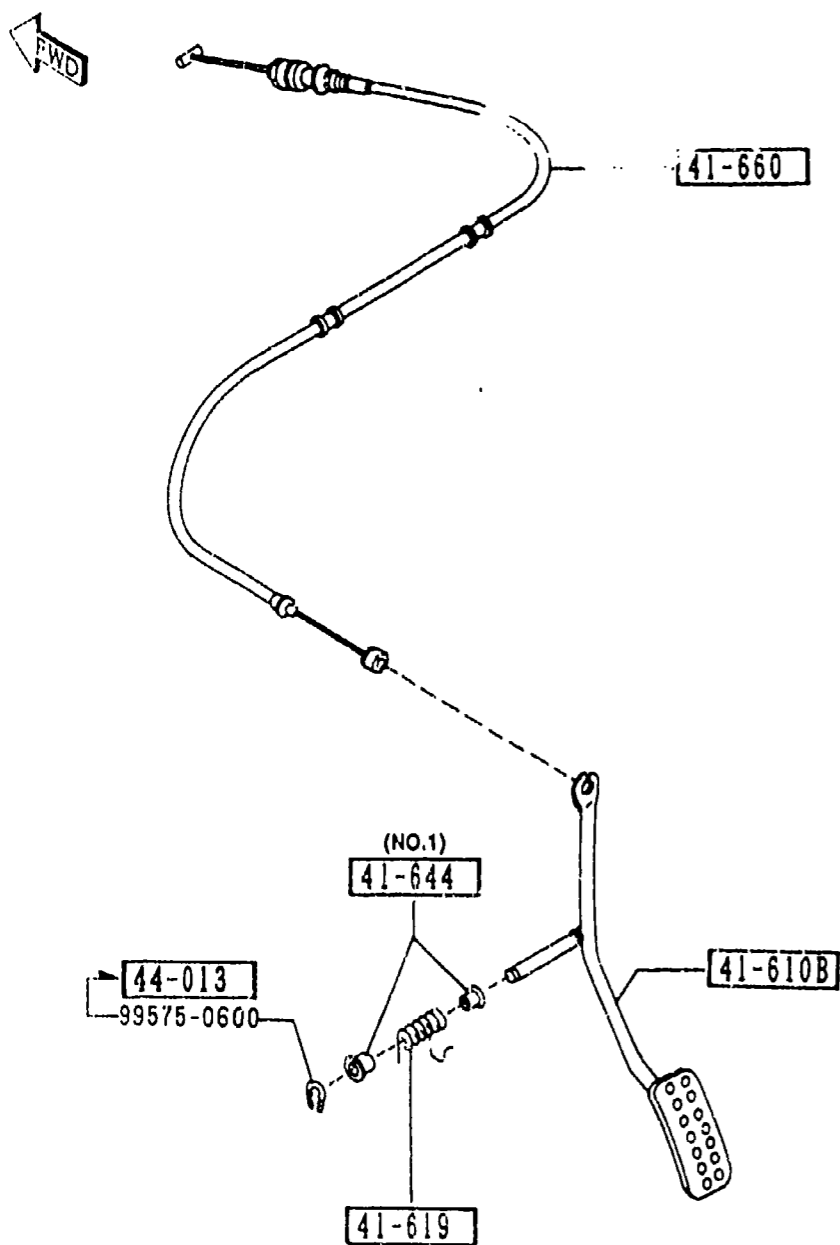
PART NO.	QTY	MODEL/RESTRICTION	MODEL/RESTRICTION	MODEL/RESTRICTION	FROM-TO
17-341J		BALL, STEEL			
99611-1500	1				
33-691		SCREW, BLEEDER			
0259-33-691	1				
33-693A		CAP, BLEEDER SCREW			
0259-33-693	1				
41-341		ROD, PUSH			
H266-41-341	1				
41-470		SPRING			
B312-41-470	1				
41-920		CYL., CLUTCH RELEASE			
NA01-41-920	1				
41-990		CYL., CLUTCH MASTER			
NA01-41-400A	1				
43-552S		CAP SET, RESERVE TANK			
B093-49-580	1				
49-460		PARTS KIT, INNER			
H005-49-460	1				
49-470		SEAL KIT			
H005-49-470	1				
49-686B		BUSH, ELBOW JOINT			
0305-49-686B	1				

1-15



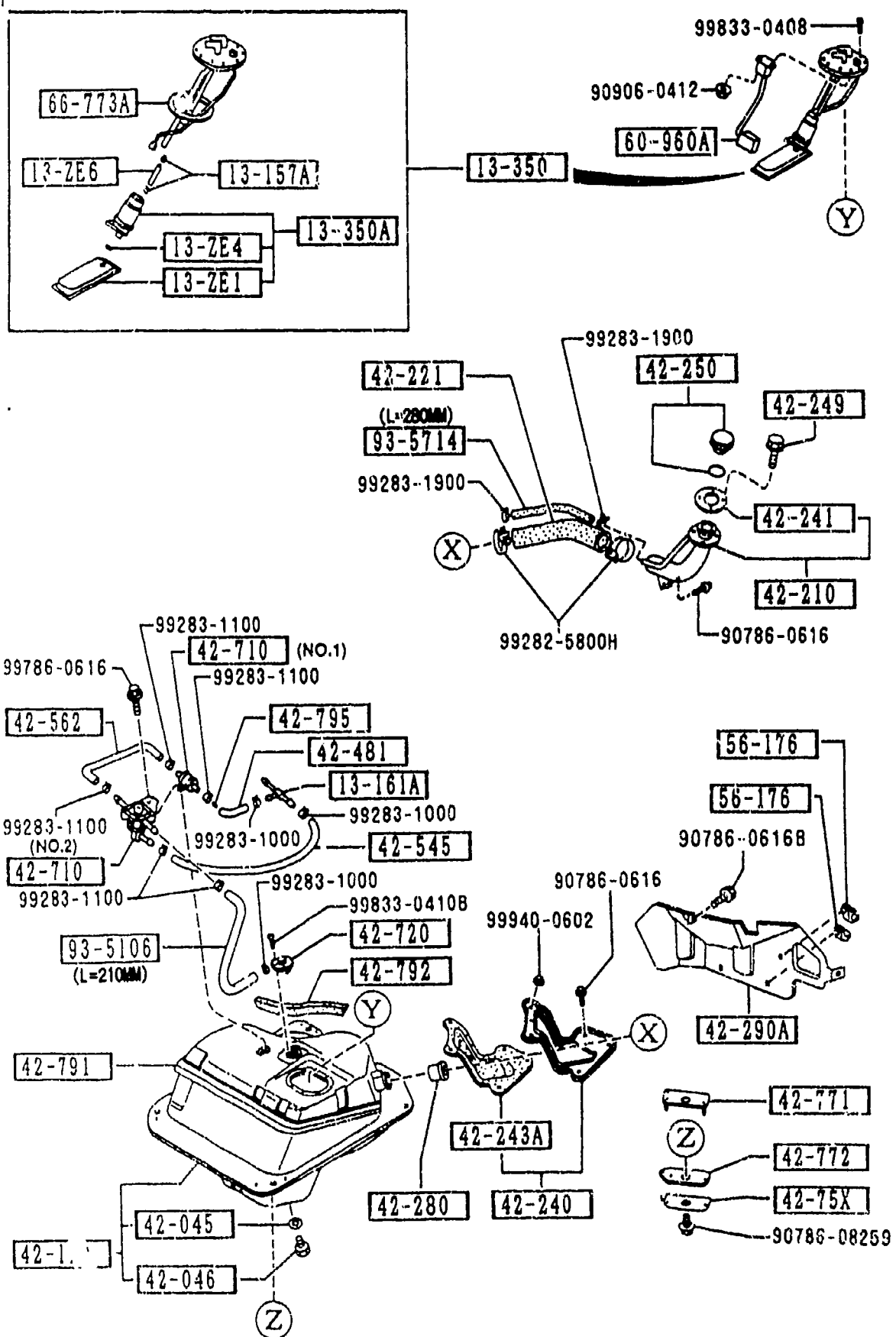
PART NO.	QTY	MODEL/RESTRICTION	MODEL/RESTRICTION	MODEL/RESTRICTION	FROM-TO
41-360	1	HOLDER, CLUTCH			
NA02-41-370	1	MIDORI (ILLUST. NO.1)			
NA75-41-370	1	(ILLUST. NO.2)			
41-370	1	PIPE, CLUTCH			
NA75-41-360	1				
41-390	1	HOLDER, PIPE			
NA01-41-390	1				
43-635	1	CLIP, FLEXIBLE HOSE			
W023-43-635 A (W023-43-635A)	1				-4927
W023-43-635A	1				4927-
43-635A	1	CLIP, FLEXIBLE HOSE			
0136-43-635	1				
45-390A	1	HOSE, CLUTCH FLEXIBLE			
HE01-45-540	1				
45-510	1	PIPE, CLUTCH			
NA01-45-510C	1	(W/O A. LOCK BRAKE)			
NA20-45-510D	1	(W/A. LOCK BRAKE)			
45-919C	1	CLIP, PIPE			
G030-45-919A	1				

4927 NA35* -603489



PART NO.	QTY	MODEL/RESTRICTION	MODEL/RESTRICTION	MODEL/RESTRICTION	FROM-TO
41-610B		PEDAL & ARM			
NA01-41-610A	1	BASE, R-PKG, PKG-A, (W/O AUTO CRUISE.CON T.)			-5401
NA02-41-610A	1	M-25-ED, P.E.GR, L-P KG, PKG-B, PKG-C, (W/AUTO CRUISE.CON T.)			-5401
NA01-41-610B	1	BASE, R-PKG, PKG-A, (W/O AUTO CRUISE.CON T.)			5401-
NA02-41-610B	1	M-25-ED, P.E.GR, L-P KG, PKG-B, PKG-C, (W/AUTO CRUISE.CON T.)			5401-
41-613		ROLLER			
B104-41-114	1	M-25-ED, P.E.GR, L-P KG, PKG-B, PKG-C, (W/AUTO CRUISE.CON T.)			
41-619		SPRING, RETURN			
MA01-41-619	1				
41-644		BUSH			
0259-41-644	2	ONDO KOSAKUSHO M-25-ED, P.E.GR, L-P KG, PKG-B, PKG-C, (ILLUST. NO.2) (W/AUTO CRUISE.CON T.)			
B092-41-644	2	OIRES KOGYO (ILLUST. NO.1)			-5401
41-660		CABLE, ACCEL.			
NB15-41-660	1				
41-780		LEVER, ACCELERATOR			
NA01-41-130A	1	M-25-ED, P.E.GR, L-P KG, PKG-B, PKG-C, (W/AUTO CRUISE.CON T.)			
44-013		WASHER, PARKING LEVER			
H380-44-013	1				5401-
5401 HA35* -619598					

4200 FUEL TANK

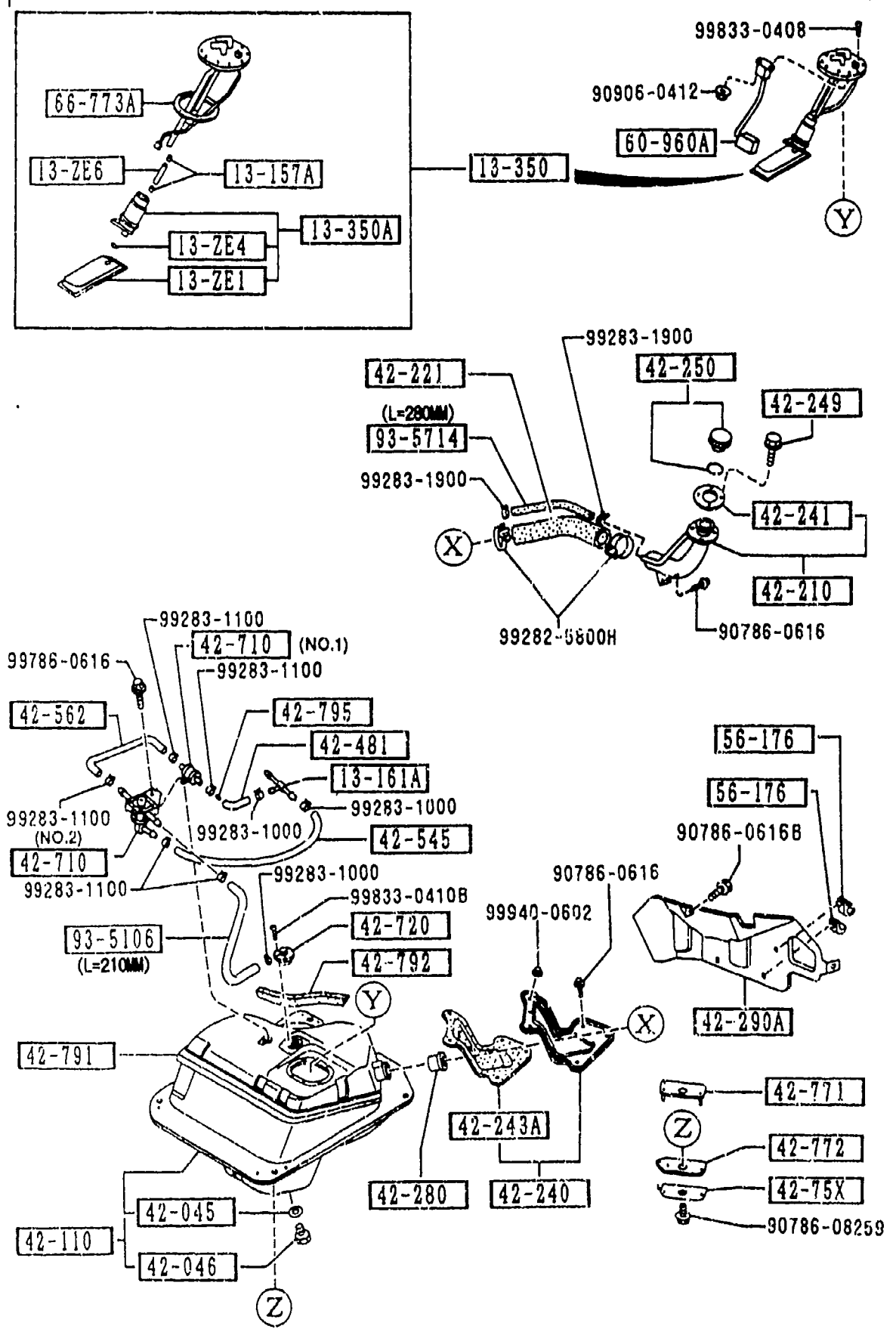


4200 -1 FUEL TANK

PART NO.	QTY	MODEL/RESTRICTION	MODEL/RESTRICTION	MODEL/RESTRICTION	FROM-70
13-ZE1		FILTER, FUEL PUMP			
B61P-13-ZE1	1				
13-ZE4		WASHER, LOCK-PUMP FILTER			
FEH2-13-ZE4	1	NIPPONDENSO (JAPAN)			
13-ZE6		HOSE, FUEL PUMP-IN TANK			
KL19-13-ZE6	1				
13-157A		CLIP			
AZ28-13-157	2				
13-161A		JOINT 'T'			
E580-13-161	1				
13-350		PUMP, FUEL			
BPE8-13-35Z	1				
13-350A		PUMP, FUEL-SUB			
BPE8-13-350	1				
42-045		GASKET, DRAIN PLUG			
U866-42-046	1				
42-046		PLUG, DRAIN			
B596-42-045	1				
42-110		TANK, FUEL			
NA75-42-110	1				
42-210		PIPE, FILLER			
NA01-42-210A	1				
42-221		HOSE, FILLER			
NA01-42-241C	1				
42-240		COVER, DUST			
NA75-42-240	1				
42-241		GASKET, FILLER PIPE			



4200 FUEL TANK



4200 -2 FUEL TANK

PART NO.	QTY	MODEL/RESTRICTION	MODEL/RESTRICTION	MODEL/RESTRICTION	FROM-TO
CONT'D					
0866-42-366B	2				
42-243A		GASKET 'A', DUST COVER			
NA01-42-233	1				
42-249		BOLT, FILLER PIPE			
NA01-42-249B	4				
42-250		CAP, FILLER			
NA02-42-250	1 ('95 MODEL)				
NB38-42-250	1 ('96 MODEL)				
42-280		VALVE, NON RETURN			
H260-42-270	1				
42-290A		PROTECTOR 'A', FILLER PIPE			
NA01-42-291B	1				-5106
NA01-42-291C	1				5106-
42-481		HOSE, FUEL			
NA75-42-561	1				
42-545		HOSE, FUEL			
NA75-42-564	1				
42-562		HOSE NO. 2, BREATHER			
NA03-42-562	1				
42-710		VALVE, CHECK			
GA5R-42-910	1 (ILLUST. NO.1)				
NA75-42-910	1 (ILLUST. NO.2)				
42-720		VALVE, FUEL VAPOR.			
BC1M-42-980 A (BC1M-42-980A)	1				-5501
BC1M-42-980A	1				5501-
42-75X		REINF., FUEL TANK			
NA01-42-77X	4				
5106 NA35*	-612163				
5501 NA35*	-620210				



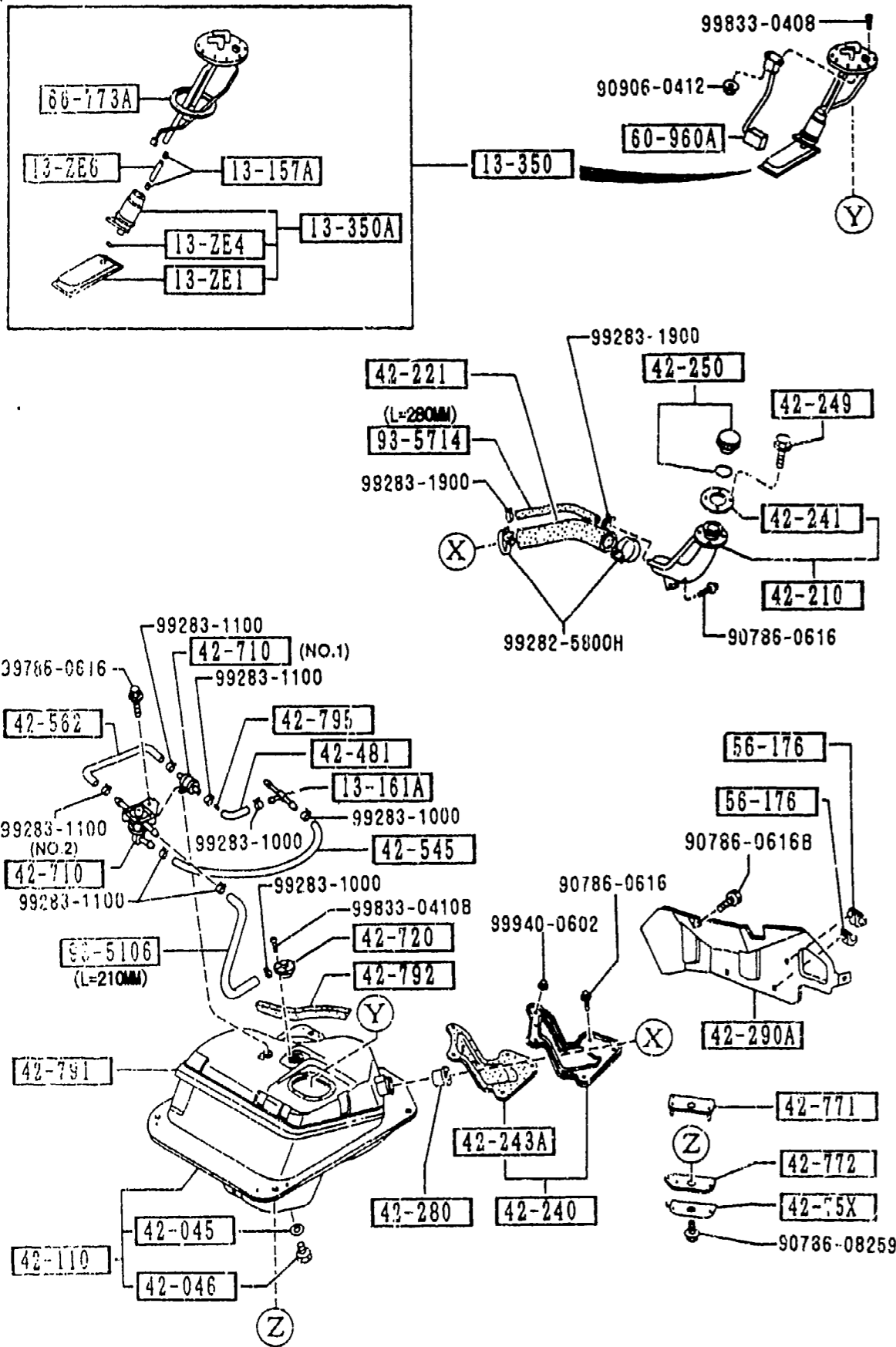
AUNA05

CAT. AUNA05-04

1997-07

1-015

4200 FUEL TANK



4200 -3 * FUEL TANK

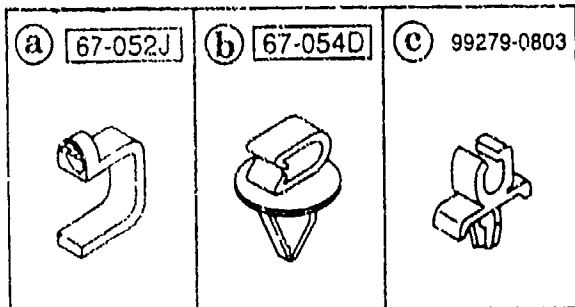
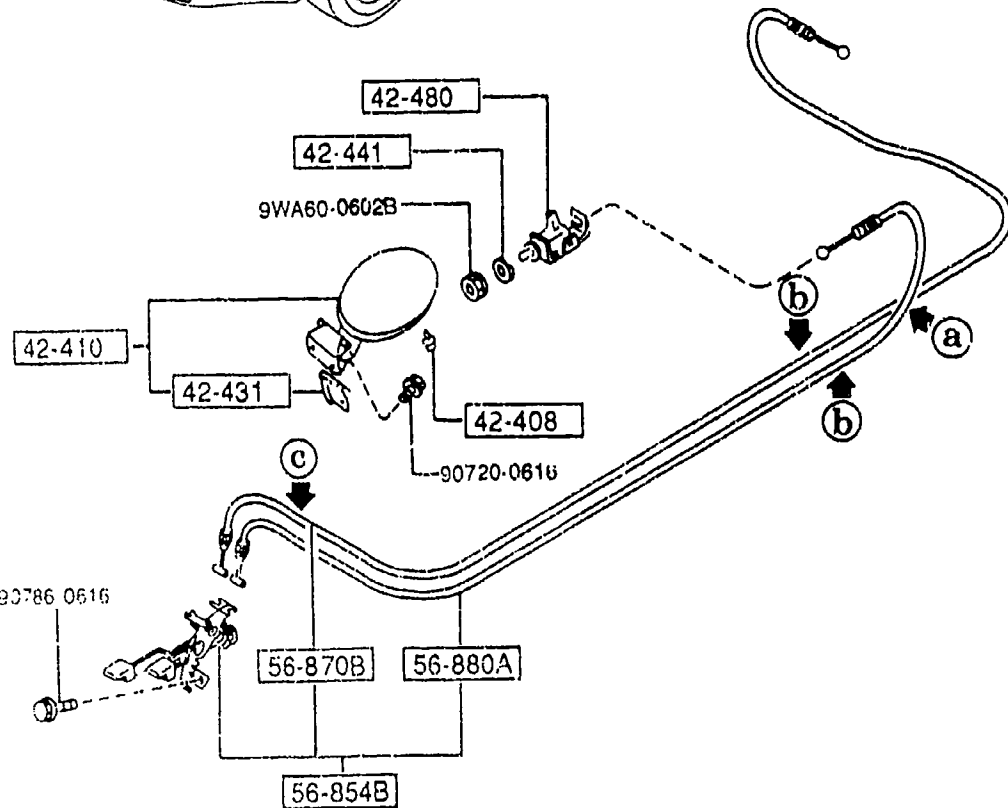
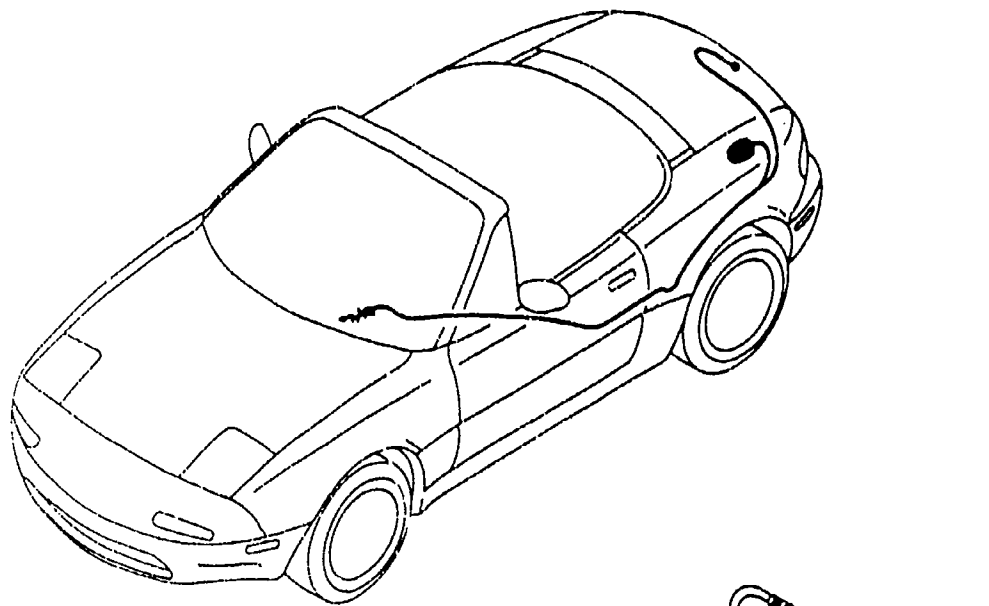
PART NO.	QTY	MODEL/RESTRICTION	MODEL/RESTRICTION	MODEL/RESTRICTION	FROM-TO
42-771		RUBBER(UP), MOUNT-TANK			
NA01-42-771	4				
42-772		RUBBER(LWR), MOUNT-TANK			
NA01-42-772	4				
42-791		PAD, FUEL TANK			
NA01-42-761	1				
42-792		PAD, FUEL TANK			
NA01-42-762	1				
42-795		INSERT			
GN51-42-795	1				
56-176		HOLDER, JACK HANDLE			
G030-56-176	3				
60-960A		GAUGE, FUEL TANK			
NA75-60-960A	1				
66-773A		GASKET			
J004-60-962	1				
93-5106		HOSE			
99351-06999	1	L=1M CUT IT TO USE			
93-5714		HOSE			
99357-14999	1	L=1M CUT IT TO USE			

FWD
AUNA05

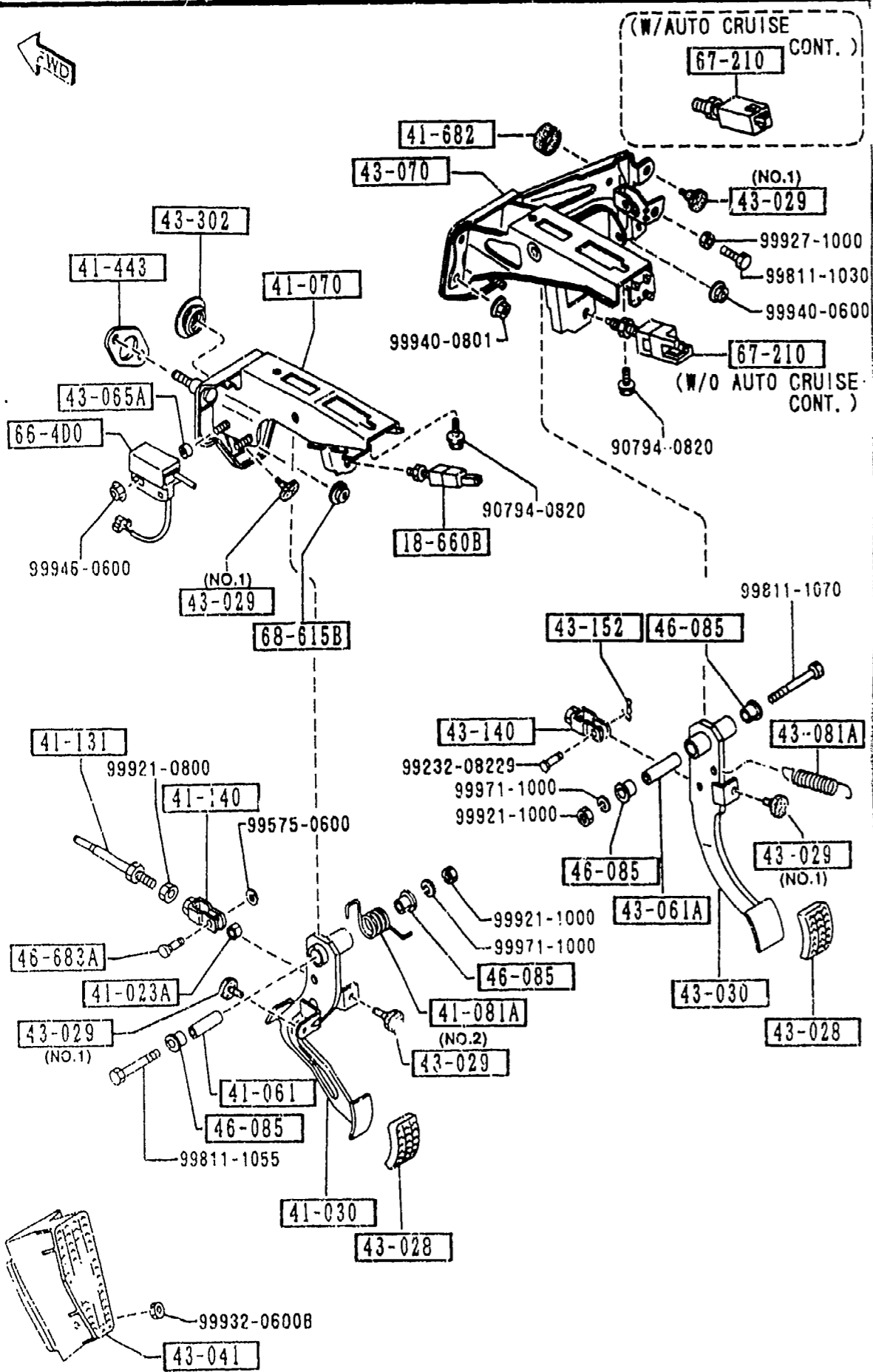
CAT. AUNA05-04

1997-07

1-K15



PART NO.	QTY	MODEL/RESTRICTION	MODEL/RESTRICTION	MODEL/RESTRICTION	FROM-TO
42-408		STOPPER, FILLER LID			
0107-70-491	2				
42-410		LID, FUEL FILLER			
NA01-42-410B	1				
42-431		SPRING LIFT, LID			
H043-42-431D	1				
42-441		WASHER, LID OPENER			
NA01-56-896	1				
42-480		OPENER, FILLER LID			
B095-56-890A	1				
56-854B		OPENER, T/LID & F/LID			
H007-56-850A	1				
56-870B		CABLE, T/LID OPENER			
N007-56-880A	1				
56-880A		CABLE, F/LID OPENER			
NA01-56-890A	1				
67-052J		CLIP			
B001-67-051	1				
67-054D		CLIP			
H260-67-054	2				

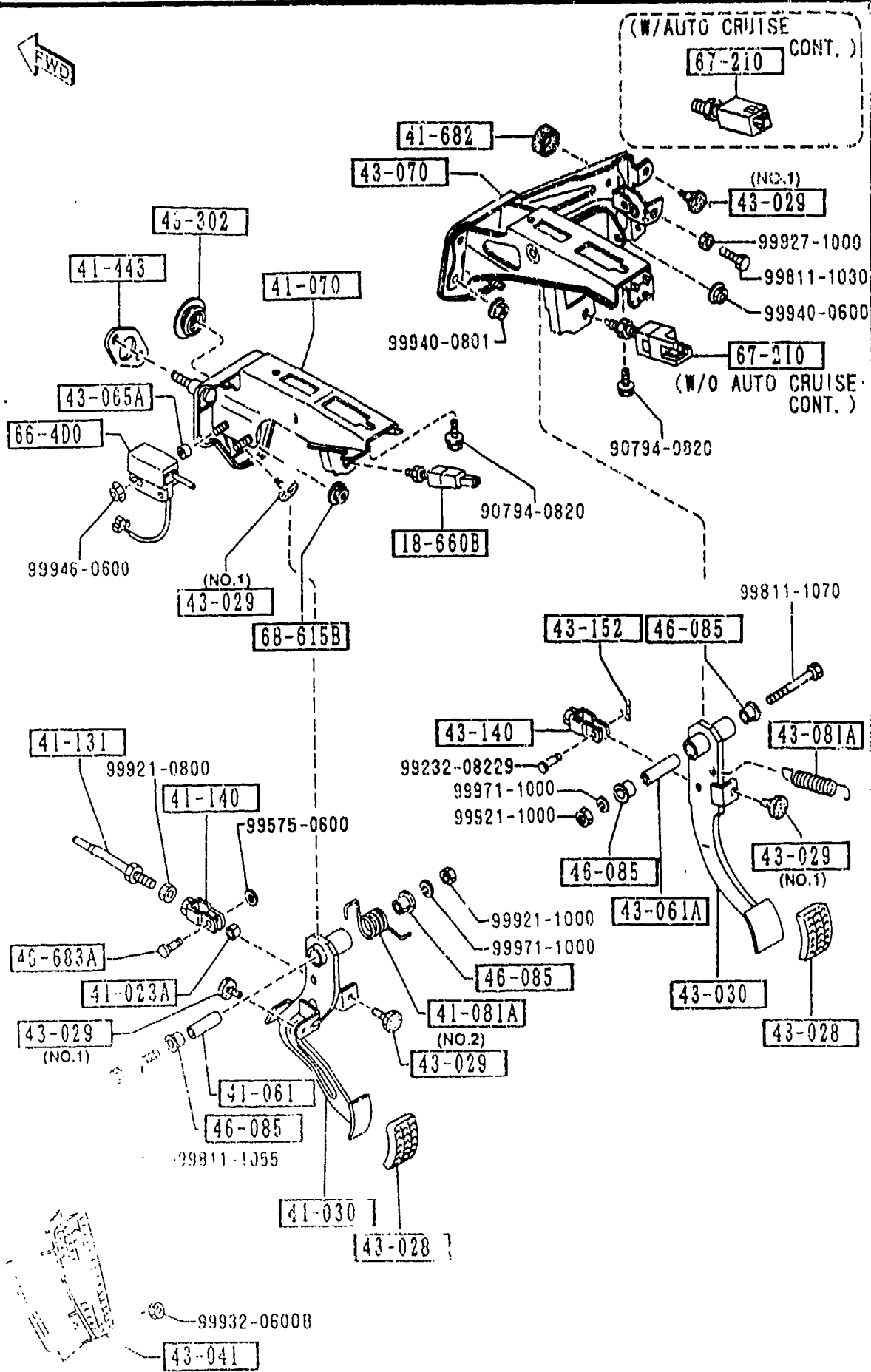


PART NO.	QTY	MODEL/RESTRICTION	MODEL/RESTRICTION	MODEL/RESTRICTION	FROM-TO
18-660B		SWITCH, CLUTCH			
LA01-66-490A	1				
41-023A		BUSH			
0727-41-023	1				
41-030		PEDAL, CLUTCH			
NA01-41-030C A (NA01-41-030D)	1				-5201
NA01-41-030D	1				5201-
41-061		SPACER			
0727-41-061	1				
41-070		BRACKET, MASTER CYL.			
NA01-41-070B	1				
41-081A		SPRING, RETURN			
BR70-41-081	1				
41-131		ROD, PUSH			
0824-41-131	1				
41-140		FORK, CLUTCH			
NA01-41-140B	1				
41-443		GASKET			
NA01-41-443	1				
41-682		RUBBER, STOP			
1456-41-682	1	M-25-ED, P.E.GR, L-P KG, PKG-B, PKG-C, (W/AUTO CRUISE CONT.)			
43-028		PAD, PEDAL			
B092-43-028	2				
43-029		RUBBER, STOPPER			
B001-43-029	4	KUROISHI TEKKO (ILLUST. NO.1)			
G030-43-029	1	OIRES KOGYO (ILLUST. NO.2)			

5201 NA35* -614193

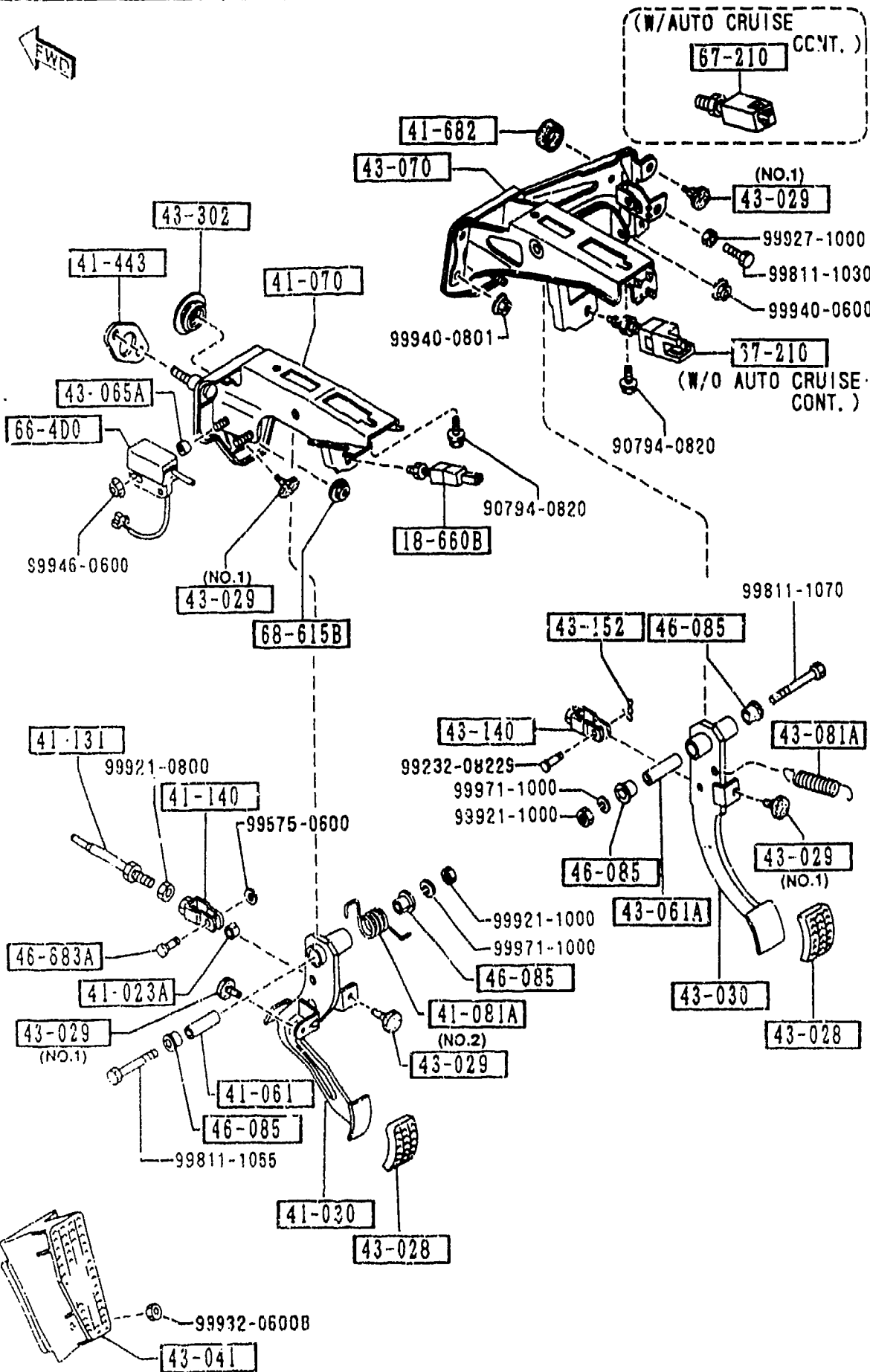
4300 MANUAL TRANSMISSION CLUTCH & BRAKE PEDALS

4300 -2 MANUAL TRANSMISSION CLUTCH & BRAKE PEDALS



PART NO.	QTY	MODEL/RESTRICTION	MODEL/RESTRICTION	MODEL/RESTRICTION	FROM-TO
43-030		PEDAL, BRAKE			-5401
NA01-43-030 AN(NA01-43-030A)	1				5401-5508
NA01-43-030A A (NA01-43-030B)	1				5508-
NA01-43-030B	1				
43-041		REST, FOOT			
NA01-43-041	1				
43-061A		PIPE, PEDAL			
0866-43-062	1				
43-065A		SPACER			
BR70-43-065	1				
43-070		BRACKET, MASTER CYL.			
NA01-43-070A	1	BASE, R-PKG, PKG-A, (W/O AUTO CRUISE.CON T.)			-5401
NA02-43-070A	1	M-25-ED, P.E.GR, L-P KG, PKG-B, PKG-C, (W/AUTO CRUISE.CON T.)			-5401
NA01-43-070B	1	BASE, R-PKG, PKG-A, (W/O AUTO CRUISE.CON T.)			5401-
NA02-43-070B	1	M-25-ED, P.E.GR, L-P KG, PKG-B, PKG-C, (W/AUTO CRUISE.CON T.)			5401-
43-081A		SPRING, RETURN-BRAKE			
B092-41-081	1				
43-140		FORK, BRAKE			
1524-43-141	1				
43-152		PIN, SNAP			
D001-43-152	1				
43-302		GROMMET, BRAKE PEDAL			
B180-43-302	1				

5401 NA35* -619598
5508 NA35* -620210

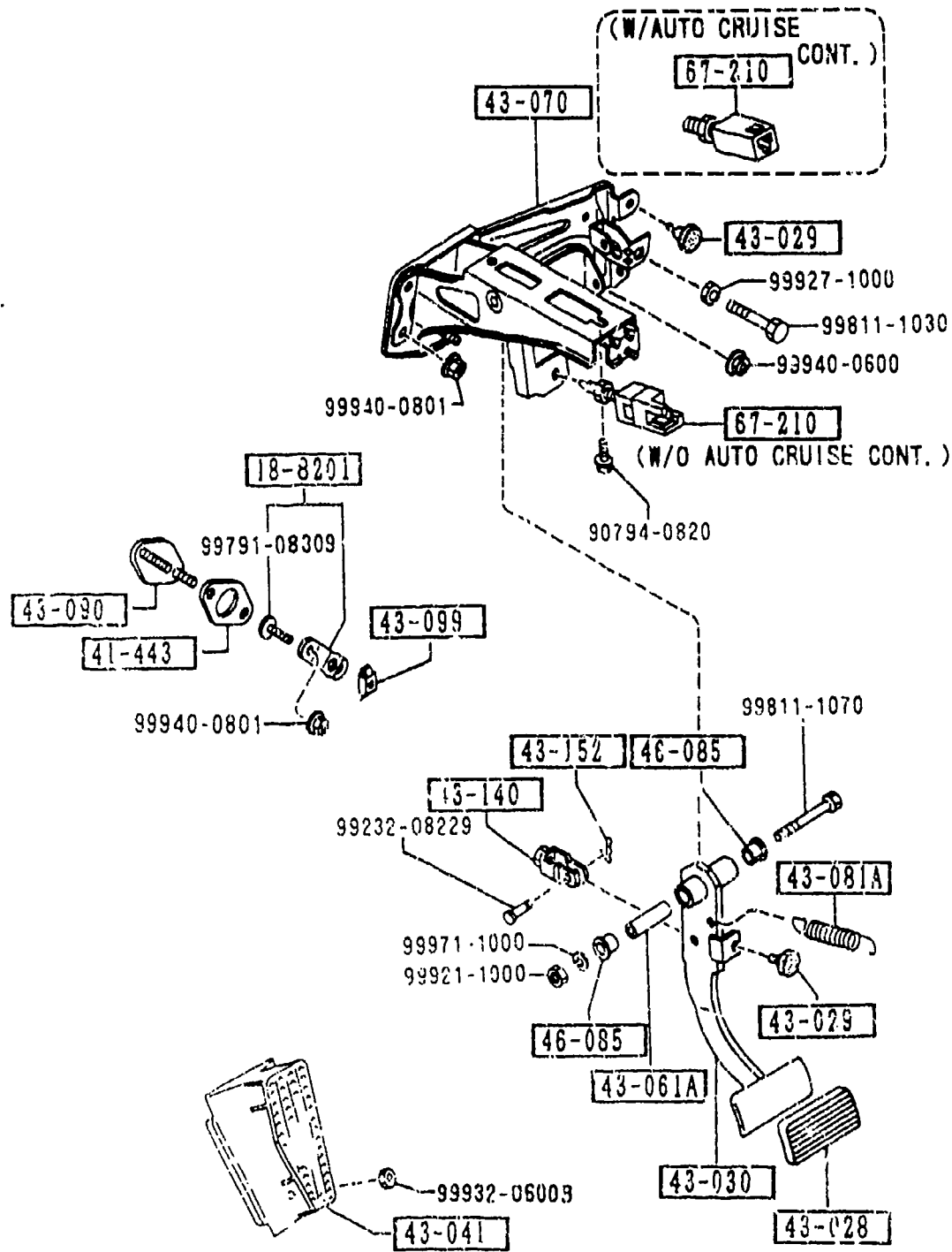


PART NO.	QTY	MODEL/RESTRICTION	MODEL/RESTRICTION	MODEL/RESTRICTION	FROM-TO
46-085		BUSH			
1015-46-085	4				
46-683A		PIN			
0223-46-683	1				
66-400		SWITCH, CLUTCH CUT			
FB01-66-400	1				
67-210		SWITCH, STOP-LAMP			
BR70-66-490A	1	M-25-ED, P.E.GR, L-P KG, PKG-B, PKG-C, (W/AUTO CRUISE CONT.)			
B001-66-490A	1	BASE, R-PKG, PKG-A, (W/O AUTO CRUISE CONT.)			
68-615B		NUT, FLANGE-CAP			
B100-68-615	1				

4300A AUTOMATIC TRANSMISSION BRAKE PEDAL

4300A -1 AUTOMATIC TRANSMISSION BRAKE PEDAL

FWD



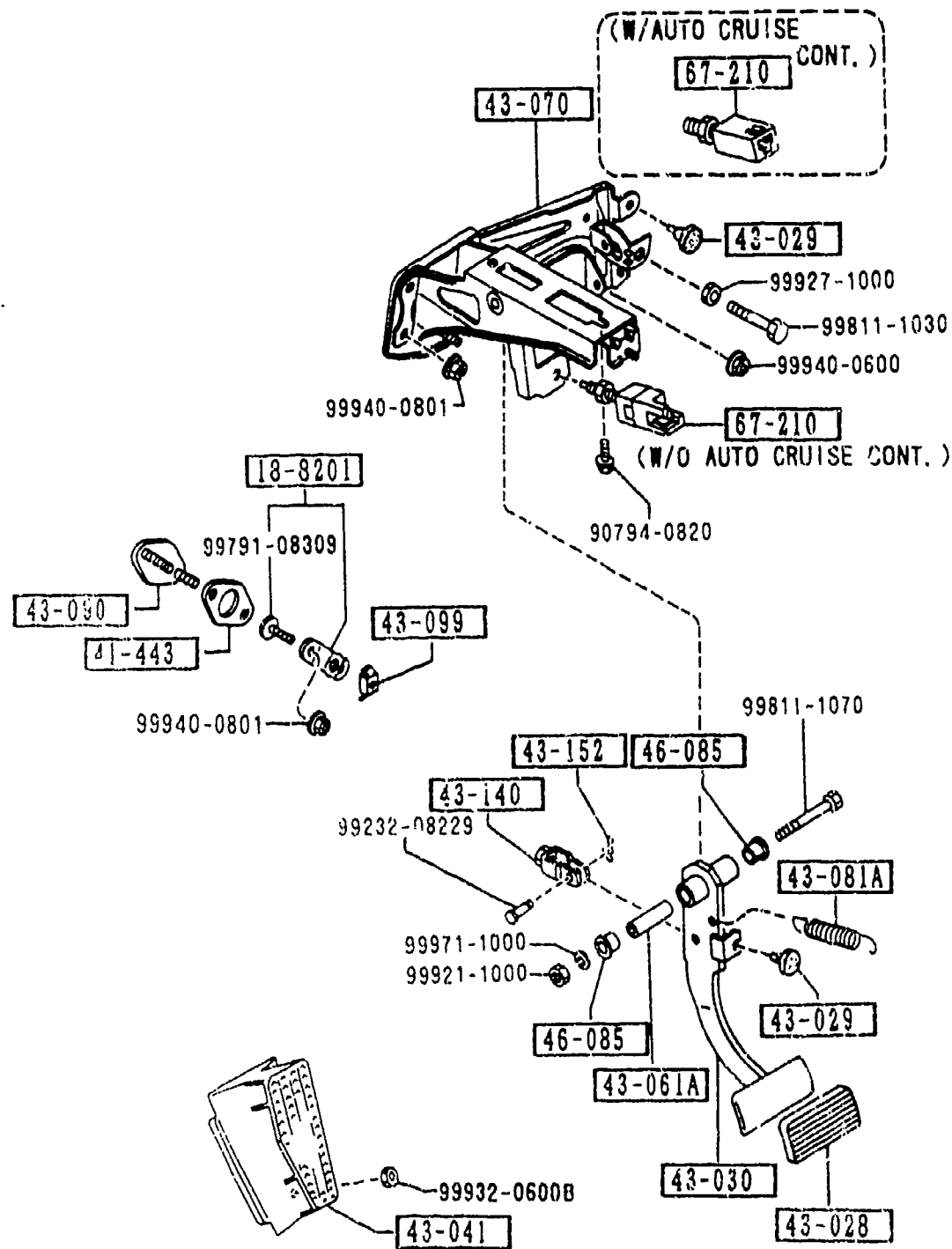
PART NO.	QTY	MODEL/RESTRICTION	MODEL/RESTRICTION	MODEL/RESTRICTION	FROM-TO
18-8201 NA75-18-945B	1	BRACKET, CONTROL UNIT			
41-443 NA01-41-443	1	GASKET			
43-028 0268-43-028	1	PAD, PEDAL			
43-029 B001-43-029	2	RUBBER, STOPPER KUROISHI TEKKO			
43-030 NA03-43-030 AN(NA03-43-030A)	1	PEDAL, BRAKE			-5401
43-030A NA03-43-030A A (NA03-43-030B)	1				5401-5508
43-030B NA03-43-030B	1				5508-
43-041 NA01-43-041	1	REST, FOOT			
43-061A 0866-43-062	1	PIPE, PEDAL			
43-070 NA01-43-070A	1	BRACKET, MASTER CYL.			-5401
43-070A NA02-43-070A	1	BASE, R-PKG, PKG-A, (W/O AUTO CRUISE. CONT.)			-5401
43-070B NA01-43-070B	1	M-25-ED, P.E.GR, L-P KG, PKG-B, PKG-C, (W/AUTO CRUISE. CONT.)			5401-
43-070B NA02-43-070B	1	M-25-ED, P.E.GR, L-P KG, PKG-B, PKG-C, (W/AUTO CRUISE. CONT.)			5401-
43-081A B092-41-081	1	SPRING, RETURN-BRAKE			

5401 NA35* -619598
5508 NA35* -620210

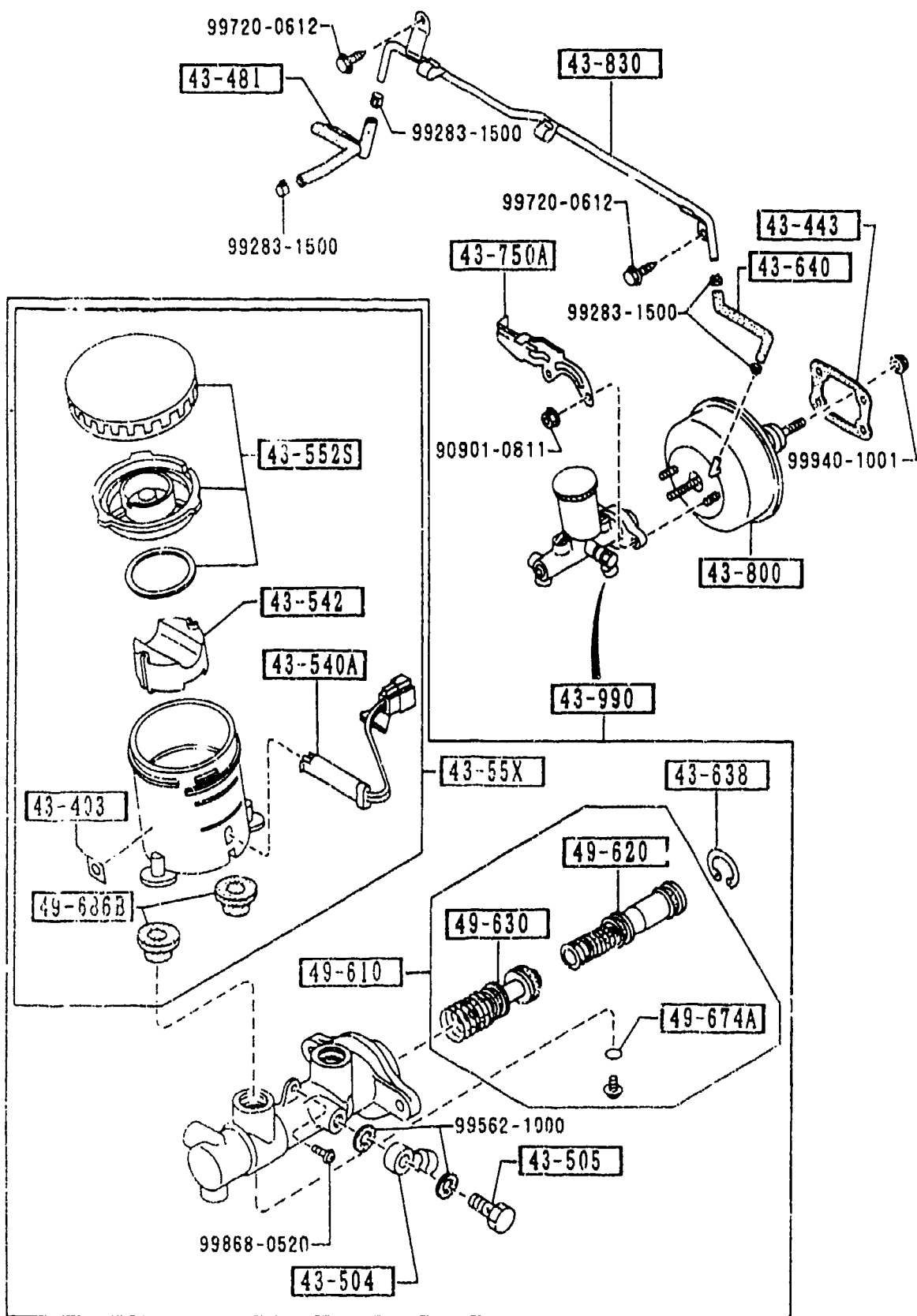
4300A AUTOMATIC TRANSMISSION BRAKE PEDAL

4300A -2 * AUTOMATIC TRANSMISSION BRAKE PEDAL

FWD

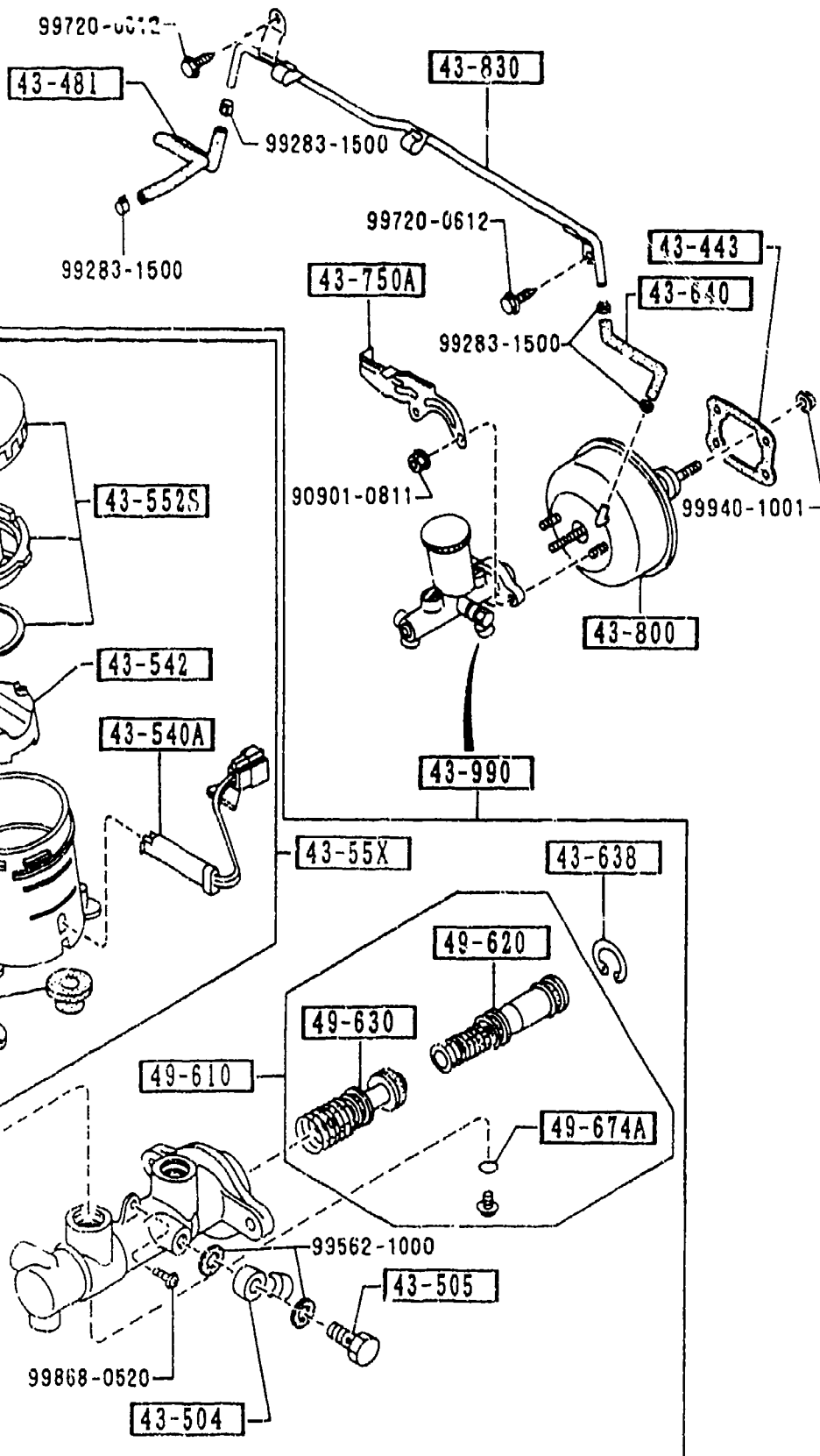


PART NO.	QTY	MODEL/RESTRICTION	MODEL/RESTRICTION	MODEL/RESTRICTION	FROM-TO
43-090		PLATE			
NA03-43-090	1				
43-099		HOLDER, PLATE			
HF23-43-099	1				
43-140		FORK, BRAKE			
1524-43-141	1				
43-152		PIN, SNAP			
D001-43-152	1				
46-085		BUSH			
1015-46-085	2				
67-210		SWITCH, STOP-LAMP			
BR70-66-490A	1	M-25-ED, P.E.GR, L-P KG, PKG-B, PKG-C, (W/AUTO CRUISE CONT.)			
B001-66-490A	1	BASE, R-PKG, PKG-A, (W/O AUTO CRUISE.COM T.)			



PART NO.	QTY	MODEL/RESTRICTION	MODEL/RESTRICTION	MODEL/RESTRICTION	FROM-TO
43-403		LABEL, ISO			
TA04-43-403A	1				
43-443		GASKET, VAC POWER AS SIST NON ASBESTOS			
H001-43-443	1				
43-481		HOSE, VACUUM			
NA75-43-481	1				
43-504		JOINT, PIPE			
W023-43-504	1				
43-505		BOLT, CONNECTOR			
W023-43-505	1				
43-540A		SENSOR, RESERVE TANK			
GA97-43-540	1				
43-542		FLOAT			
3597-43-542	1				
43-55X		SET, TANK			
B2Y6-43-55X	1				
43-552S		CAP SET, RESERVE TANK			
D001-49-650A	1				
43-638		RING, RETAINING			
GA02-49-638	1				
43-640		HOSE, VACUUM			
NA01-43-640	1				
43-750A		HOLDER, P. B. VALVE			
NA02-43-750A	1				
43-800		VACUUM POWER ASSIST			
NA75-43-800	1				
43-830		PIPE, VACUUM			

4340

**BRAKE MASTER CYLINDER & POWER BRAKE
(W/O ANTILOCK BRAKE)**

**4340 -2 * BRAKE MASTER CYLINDER & POWER BRAKE
(W/O ANTILOCK BRAKE)**

PART NO.	QTY	MODEL/RESTRICTION	MODEL/RESTRICTION	MODEL/RESTRICTION	FROM-TO
CONT'D					
NA01-43-830A	1				
+ 43-990		CYL., TANDEM MASTER			
NA01-43-40Z	1				
+ 49-610		PARTS KIT, INN.-BRAKE			
BW0A-43-61Z	1				
+ 49-620		PISTON, PRIMARY			
BW0A-43-62Z	2				
+ 49-630		PISTON, FLOATING			
BW0A-43-63Z	1				
+ 49-674A		RING, 'O'-MASTER CYL.			
99541-00403	1				
+ 49-686B		BUSH, ELBOW JOINT			
F100-49-686	2				

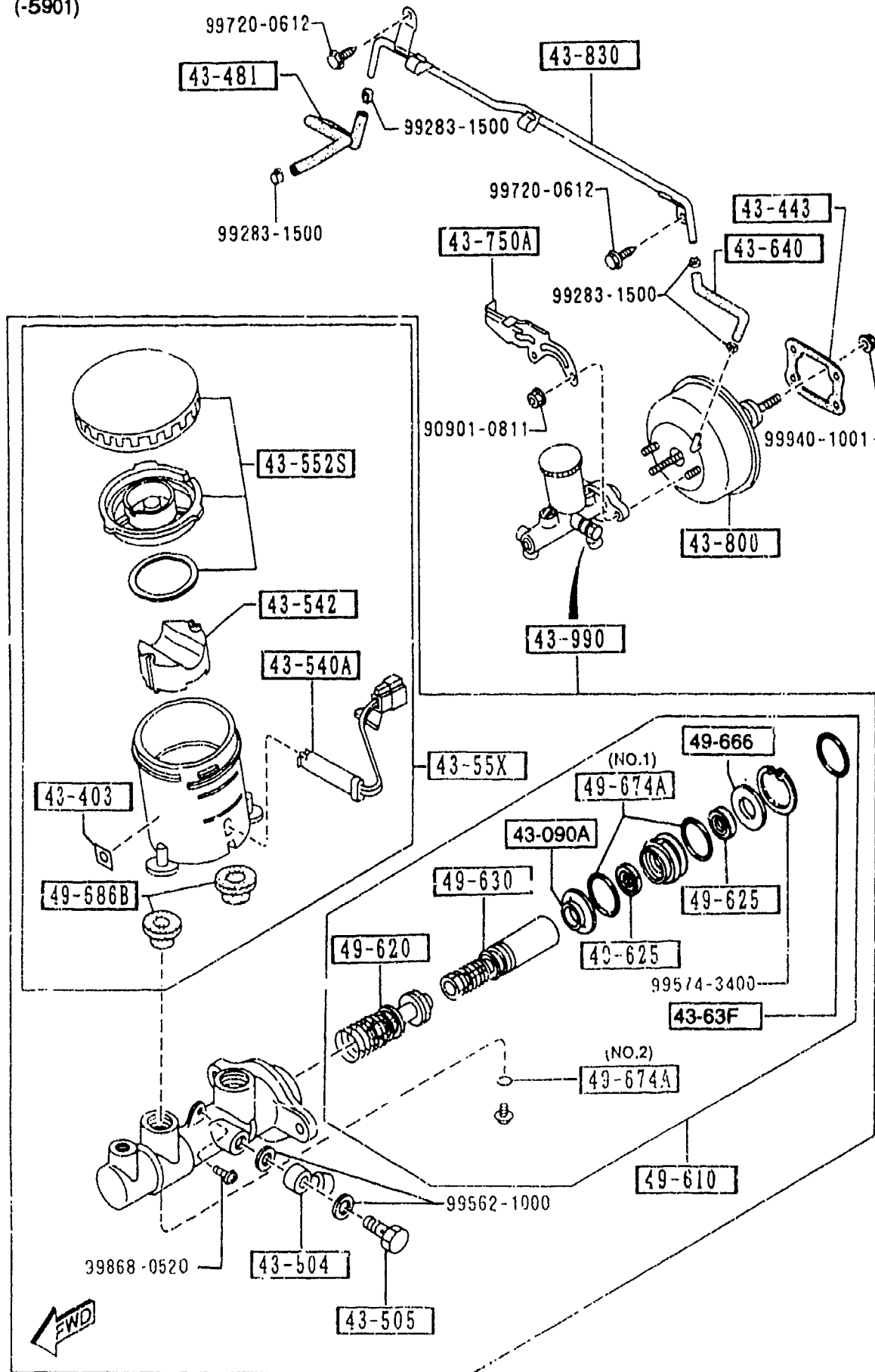
AUNA05

CAT. AUNA05-04

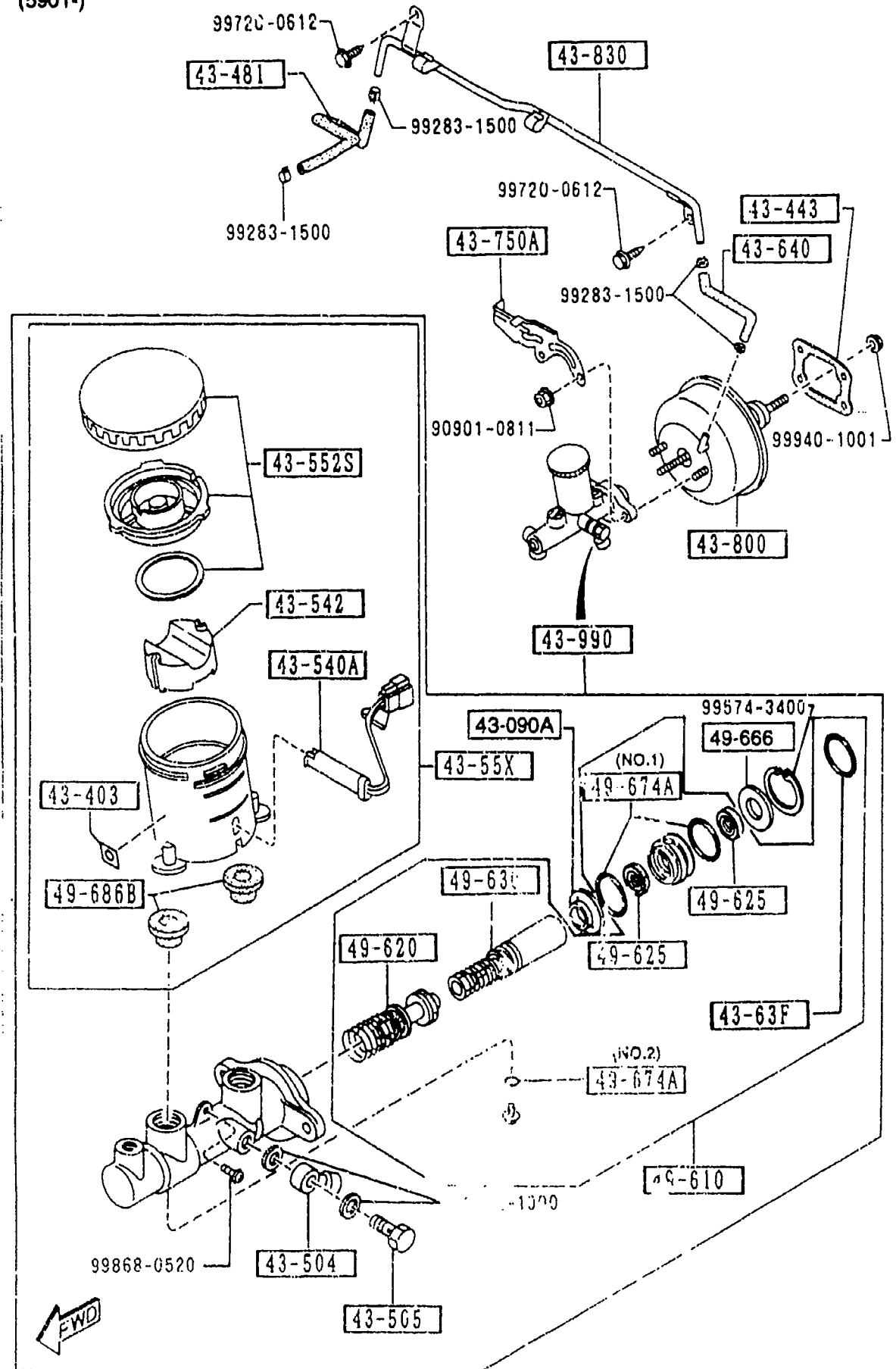
1997-07

1-616

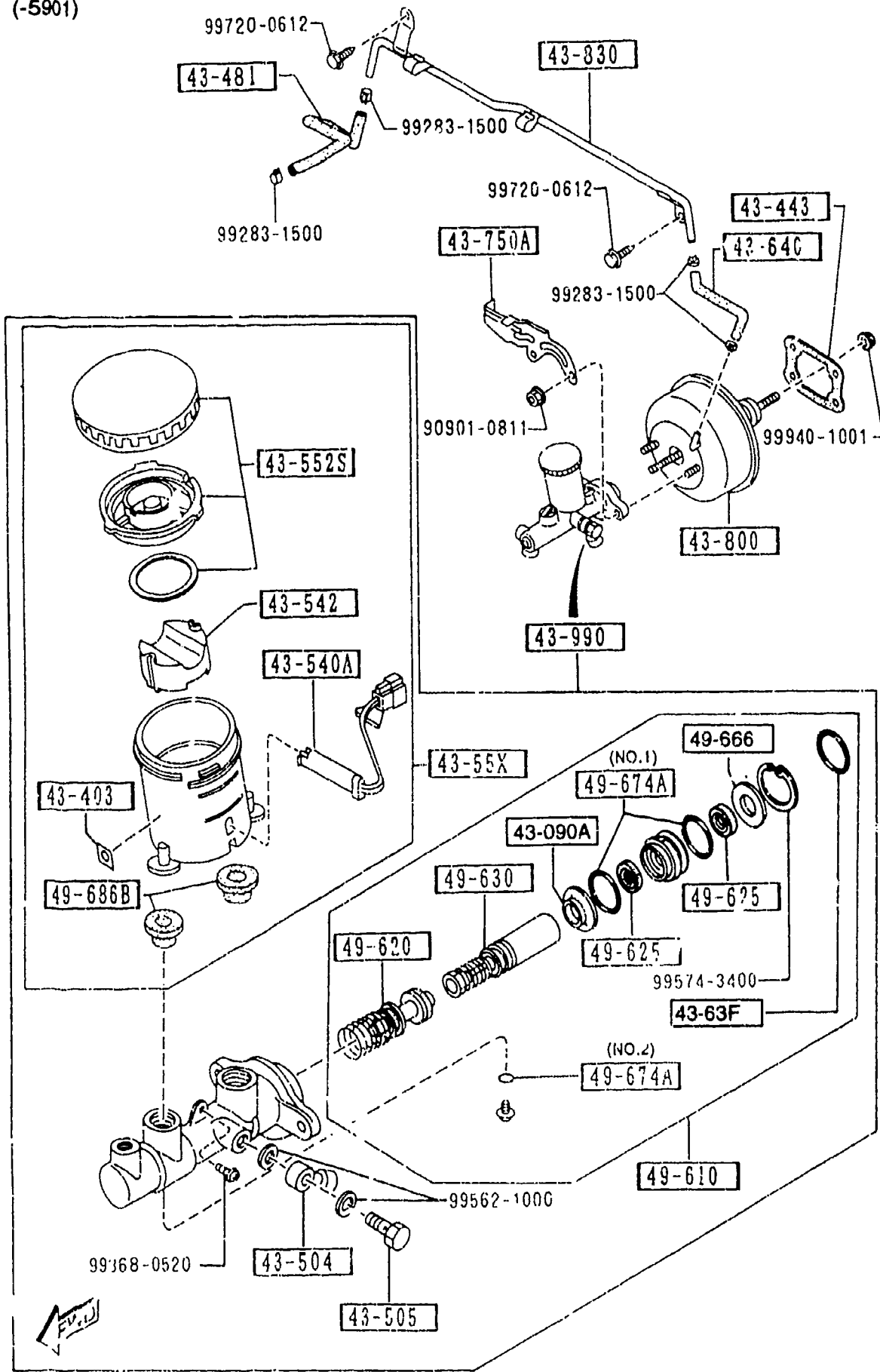
(-5901)



(5901-)



(-5901)



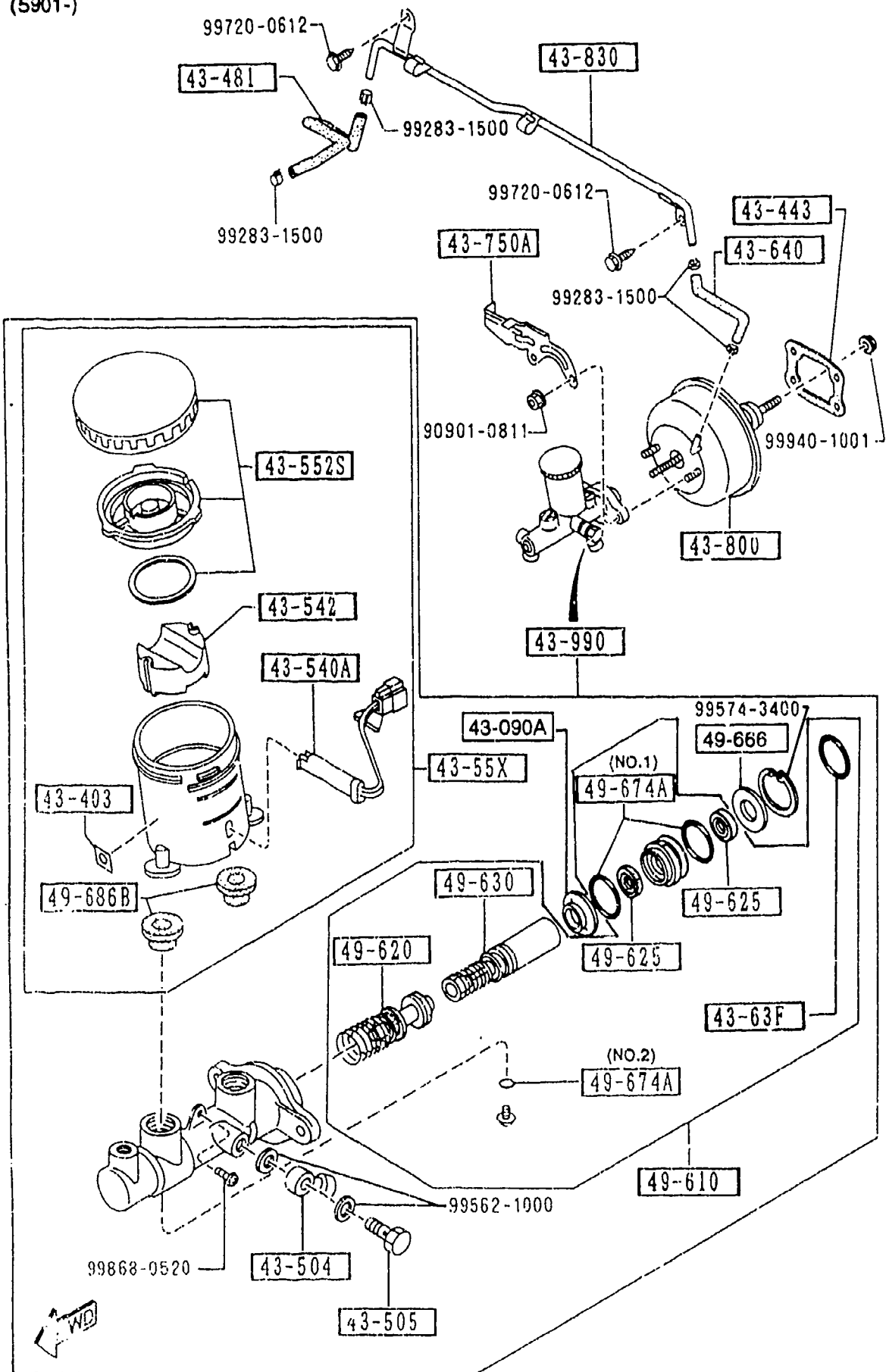
PART NO.	QTY	MODEL/RESTRICTION	MODEL/RESTRICTION	MODEL/RESTRICTION	FROM-TO
43-090A		STOPPER			
B252-49-514	1				
43-403		LABEL, ISO			
TA04-43-403A	1				
43-443		GASKET, VAC POWER ASSIST NON ASBESTOS			
H001-43-443	1				
43-481		HOSE, VACUUM			
NA75-43-481	1				
43-504		JOINT, PTPE			
W023-43-504	1				
43-505		BOLT, CONNECTOR			
W023-43-505	1				
43-540A		SENSOR, RESERVE TANK			
GA97-43-540	1				
43-542		FLOAT			
3577-43-542	1				
43-55X		SET, TANK			
NAY3-43-55X	1				
43-552S		CAP SET, RESERVE TANK			
D001-49-650A	1				
43-63F		RING, 'O'			
B252-49-512	1				
43-640		HOSE, VACUUM			
NA01-43-640	1				
43-750A		HOLDER, P. B. VALVE			
NA02-43-750A	1				
43-800		VACUUM POWER ASSIST			

1-118

4340 A BRAKE MASTER CYLINDER & POWER BRAKE
(W/ANTILOCK BRAKE)

(2/2)

(5901-)



4340 A-2 * BRAKE MASTER CYLINDER & POWER BRAKE
(W/ANTILOCK BRAKE)

PART NO.	QTY	MODEL/RESTRICTION	MODEL/RESTRICTION	MODEL/RESTRICTION	FROM-TO
CONT'D NAB0-43-800	1				
+-----+ 43-830 +-----+		PIPE,VACUUM			
NA23-43-830B	1				
+-----+ 43-990 +-----+		CYL.,TANDEM MASTER			
NA23-43-40Z A (NA23-43-40ZA)	1				-6116
*NA23-43-40ZA	1				6116-
+-----+ 49-610 +-----+		PARTS KIT,INN.-BRAKE			
NAY3-43-41Z	1				-5901
NAY3-43-41ZA	1				5901-6116
*DIY2-43-41Z	1				6116-
+-----+ 49-620 +-----+		PISTON,PRIMARY			
B252-49-620A	1				
+-----+ 49-625 +-----+		CUP,SECONDARY			
NA23-43-625	2				
+-----+ 49-630 +-----+		PISTON,FLOATING			
NA23-43-63Z	1				
+-----+ 49-666 +-----+		WASHER,STOP			
B252-49-666	1				
+-----+ 49-674A +-----+		RING,'O'-MASTER CYL.			
NA23-43-515	2	SHINEI KOGYO (ILLUST. NO.1)			
99541-00603	1	NOK (ILLUST. NO.2)			
+-----+ 49-686B +-----+		BUSH,ELBOW JOINT			
F100-49-686	2				

5901 NA3** -702989
6116 NA3** -709695

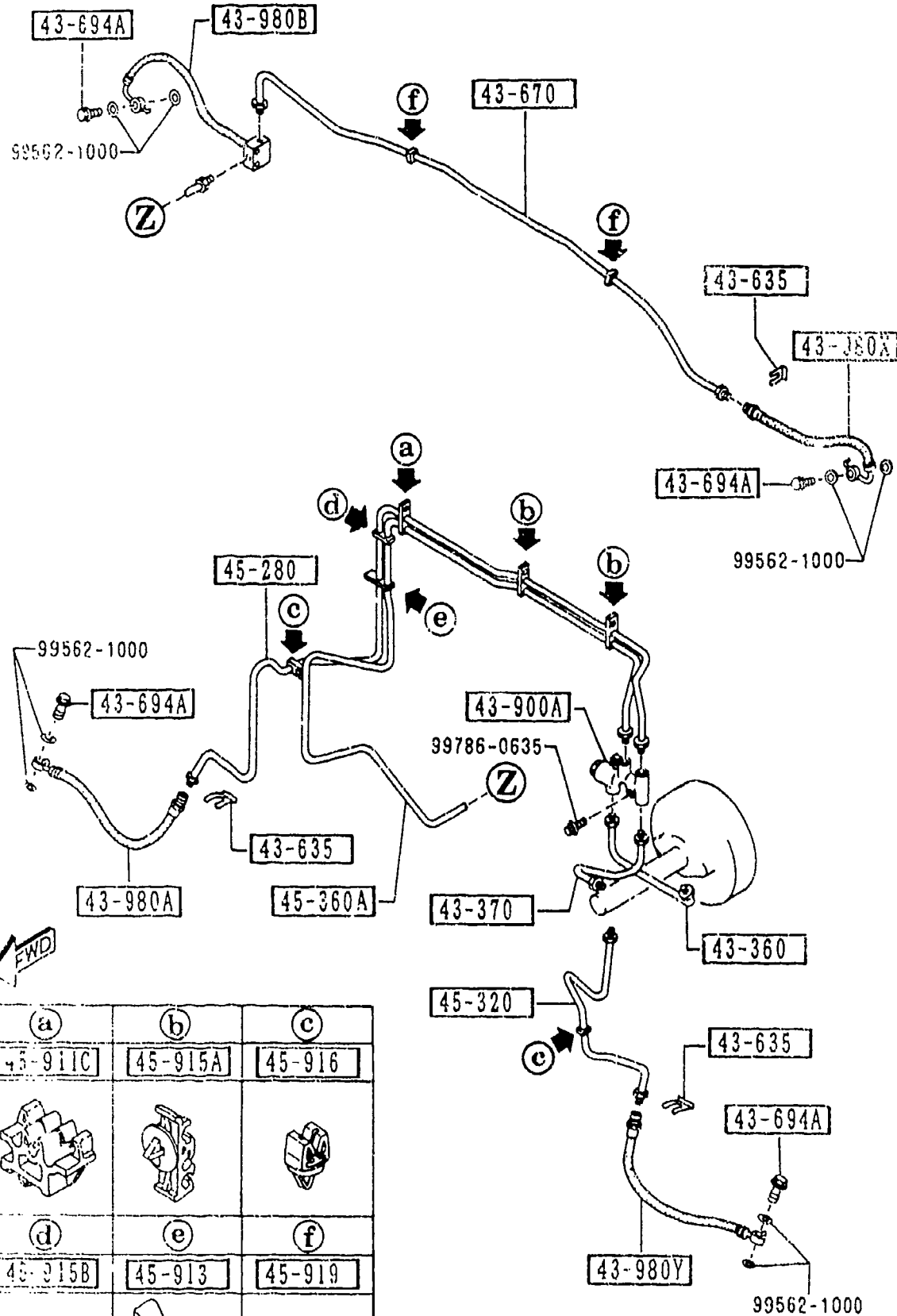
AUNA05

CAT AUNA05-04

1997-07

1-J16

4360 BRAKE PIPINGS
(W/O ANTI LOCK BRAKE SYSTEM)

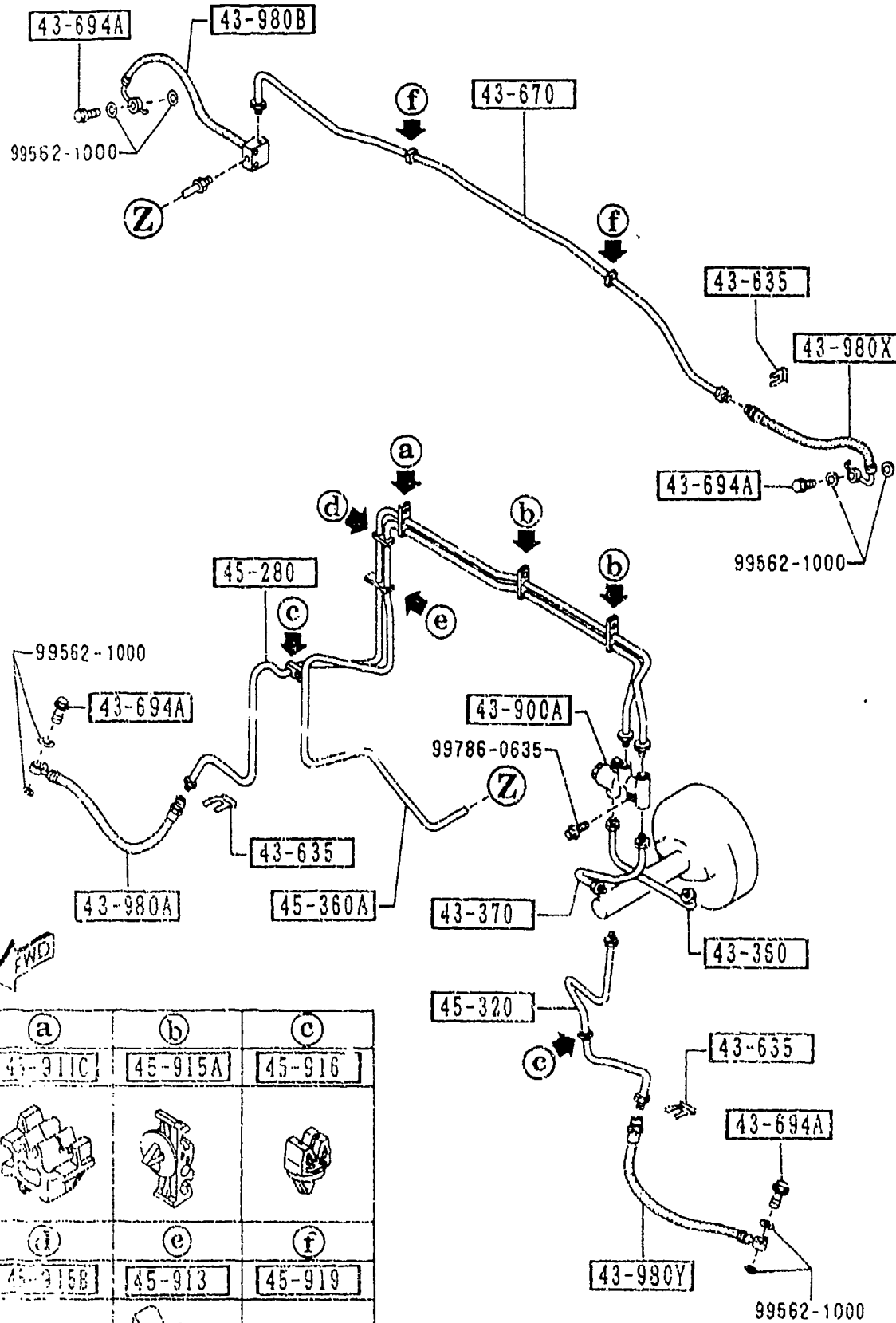


a	b	c
45-911C	45-915A	45-916
d	e	f
45-915B	45-913	45-919

4360 -1 BRAKE PIPINGS
(W/O ANTI LOCK BRAKE SYSTEM)

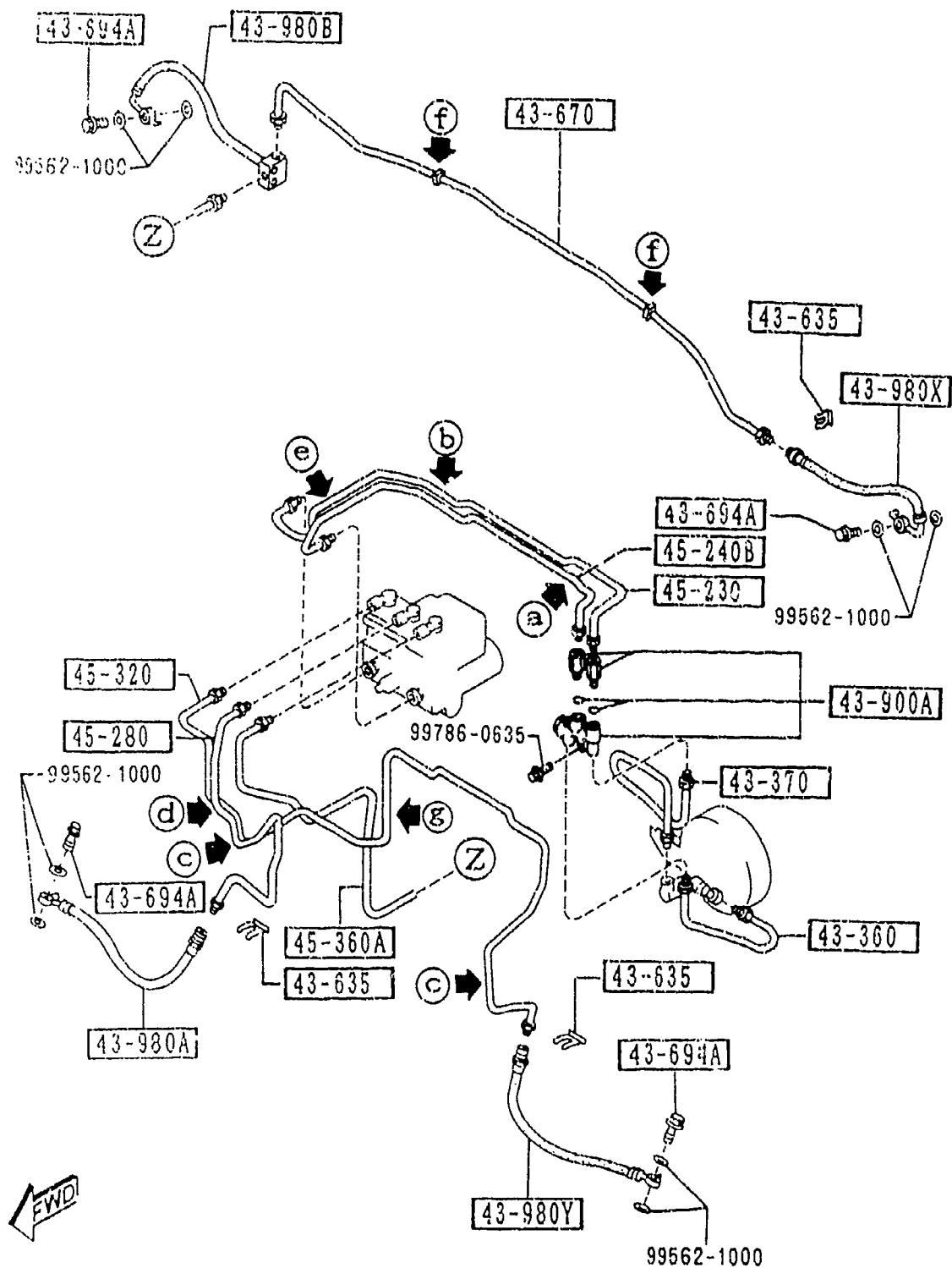
PART NO.	QTY	MODEL/RESTRICTION	MODEL/RESTRICTION	MODEL/RESTRICTION	FROM-TO
43-360		PIPE, BRAKE			
NA01-43-360A	1				
43-370		PIPE, BRAKE			
NA01-43-370	1				
43-635		CLIP, FLEXIBLE HOSE			
W023-43-635 A (W023-43-635A)	3				-4927
W023-43-635A	3				4927-
43-670		PIPE, BRAKE-REAR			
NA01-43-670A	1				
43-694A		BOLT, CONNECTOR			
B001-43-694A	4				
43-900A		VALVE, P. B.			
H380-43-900	1				
43-980A		HOSE(R), FLEXIBLE-FRT			
NA75-43-810	1				
43-980B		HOSE(R), FLEXIBLE-RR			
NA75-43-980	1				
43-980X		HOSE(L), FLEXIBLE-RR			
NA75-43-990	1				
43-980Y		HOSE(L), FLEXIBLE-FRT			
NA75-43-820	1				
45-280		PIPE(R), BRAKE-FRONT			
NA75-45-280	1				
45-320		PIPE(L), BRAKE-FRONT			
NA01-45-320C	1				-4A03
NA01-45-320D	1				4A03-
45-360A		PIPE, BRAKE-REAR			
NA75-45-360A	1				

4927 NA35* -603489
4A03 NA35* -603621



PART NO.	QTY	MODEL/RESTRICTION	MODEL/RESTRICTION	MODEL/RESTRICTION	FROM-TO
45-911C		CLIP, PIPE			
NA01-45-911	1				
45-913		HOLDER, PIPE			
NA75-45-913	1				
45-915A		HOLDER, PIPE			
B001-45-915	2				
45-915B		HOLDER, PIPE			
NA01-45-915A	1				
45-916		HOLDER, PIPE			
BC1D-45-916	2				
45-919		CLIP, PIPE			
B001-45-919B	2				

4360 A BRAKE PIPINGS
(ANTI LOCK BRAKE SYSTEM)



a	b	c	d	e	f	g
45-910E	45-920	45-916	43-919A	45-916A	45-919	45-919C

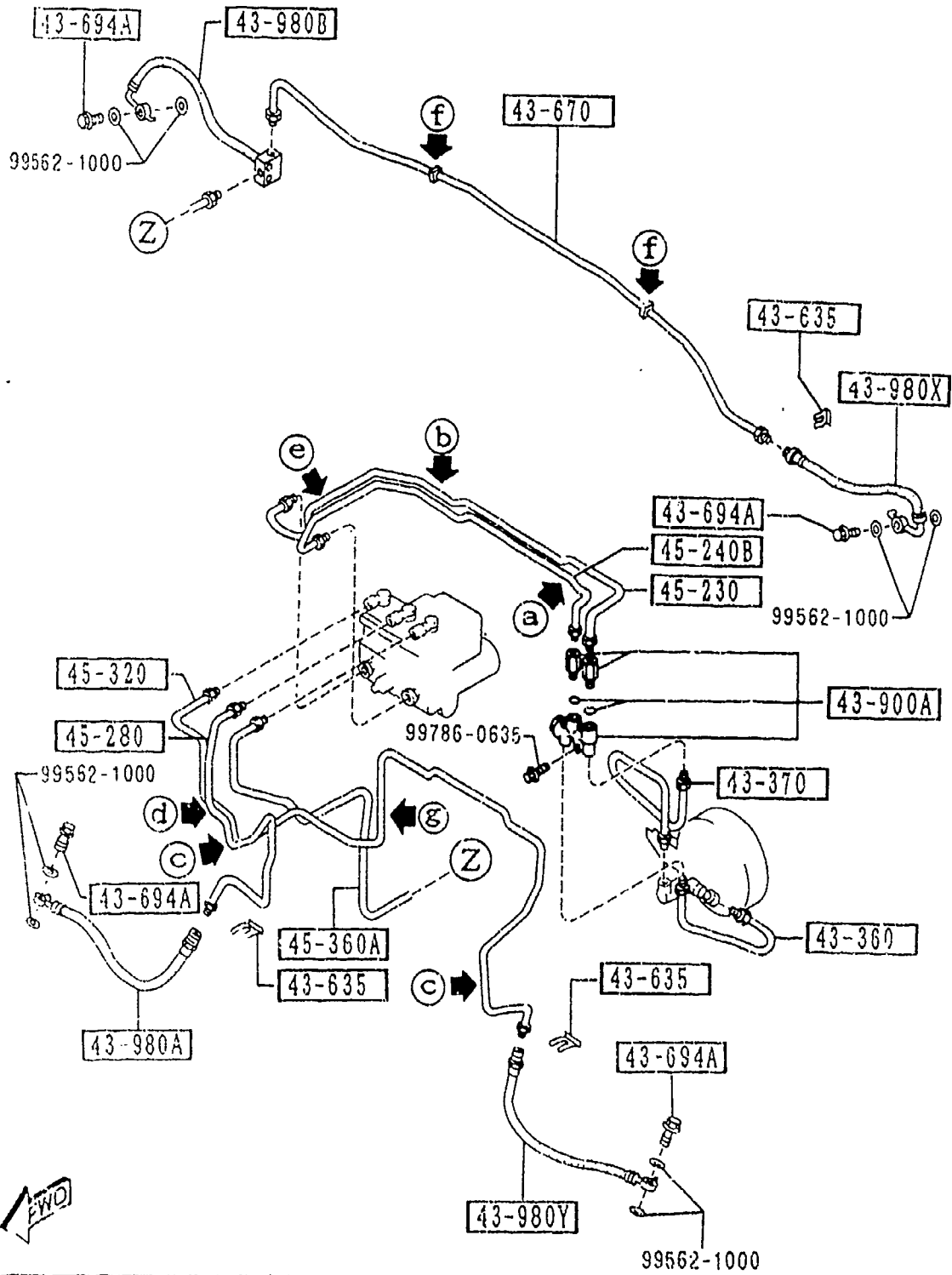
4360 A-1 BRAKE PIPINGS
(ANTI LOCK BRAKE SYSTEM)

PART NO.	QTY	MODEL/RESTRICTION	MODEL/RESTRICTION	MODEL/RESTRICTION	FROM-TO
43-360		PIPE, BRAKE			
NA23-43-360A	1				
43-370		PIPE, BRAKE			
NA23-43-370A	1				
43-635		CLIP, FLEXIBLE HOSE			
W023-43-635	3				-4927
A (W023-43-635A)					
W023-43-635A	3				4927-
43-670		PIPE, BRAKE-REAR			
NA01-43-670A	1				
43-694A		BOLT, CONNECTOR			
B001-43-694A	4				
43-900A		VALVE, P. B.			
F123-43-900	1				
43-919A		HOLDER, BRAKE PIPE			
NA20-45-915	1				
43-980A		HOSE(R), FLEXIBLE-FRT			
NA75-43-810	1				
43-980B		HOSE(R), FLEXIBLE-RR			
NA75-43-980	1				
43-980X		HOSE(L), FLEXIBLE-RR			
NA75-43-990	1				
43-980Y		HOSE(L), FLEXIBLE-FRT			
NA75-43-820	1				
45-230		PIPE NO. 3, MAIN BRAKE			
NB13-45-230A	1				
45-240B		PIPE, BRAKE-FRT			
NR13-45-240A	1				

4927 NA35* -603489

4360 A BRAKE PIPINGS
(ANTI LOCK BRAKE SYSTEM)

4360 A-2 * BRAKE PIPINGS
(ANTI LOCK BRAKE SYSTEM)



PART NO.	QTY	MODEL/RESTRICTION	MODEL/RESTRICTION	MODEL/RESTRICTION	FROM-TO
45-280		PIPE(R), BRAKE-FRONT			
NB13-45-280	1				
45-320		PIPE(L), BRAKE-FRONT			
NB13-45-320A	1				
45-360A		PIPE, BRAKE-REAR			
NB13-45-360B	1				
45-910E		HOLDER, PIPE			
NA20-45-910A	1				
45-916		HOLDER, PIPE			
BC.D-45-916	2				
45-916A		HOLDER, PIPE			
HR31-45-915	1				
45-919		CLIP, PIPE			
B001-45-919B	2				
45-919C		CLIP, PIPE			
G030-45-919A	1				
45-920		BRACKET			
NA20-45-920B	1				

a	b	c	d	e	f	g
15-910E	45-920	45-916	43-919A	45-916A	45-919	45-919C

AUNA05

CAT. AUNA05-04

1997-07

1-N16