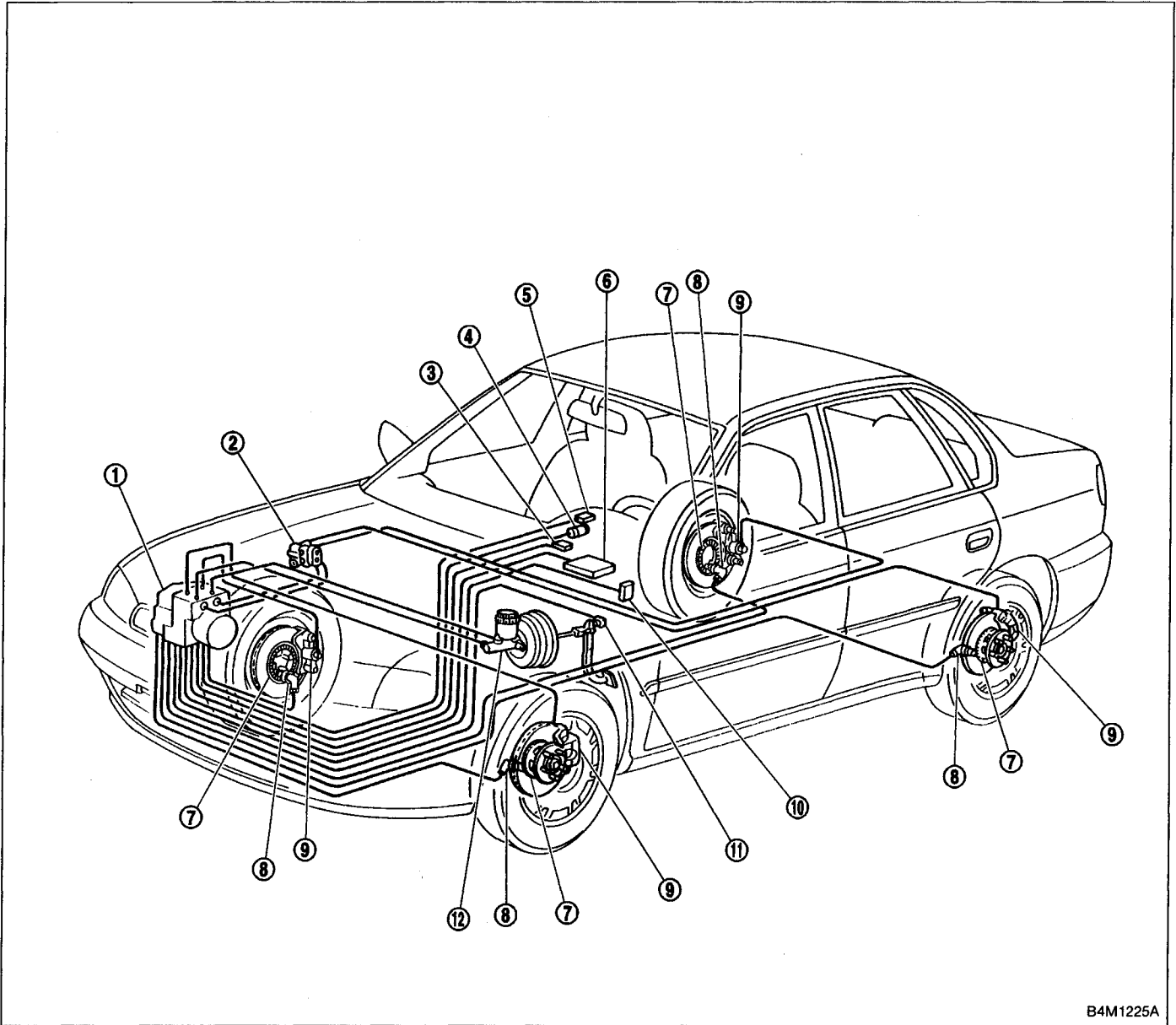


3. Electrical Components Location



B4M1225A

- | | |
|----------------------------------------------------------------------------------------------------------------------------------------------------------------------------------------------------------------------------------------------------------------------------------------------------------------------------------|----------------------------------------------------------------------------------------------------------------------------------------------------------------------------------------------------------|
| <ul style="list-style-type: none"> ① ABS control module and hydraulic control unit (ABSCM&H/U) ② Proportioning valve ③ Diagnosis connector ④ ABS warning light ⑤ Data link connector (for Subaru select monitor) ⑥ Transmission control module (only AT vehicle) | <ul style="list-style-type: none"> ⑦ Tone wheel ⑧ ABS sensor ⑨ Wheel cylinder ⑩ G sensor (only AWD vehicle) ⑪ Brake switch ⑫ Master cylinder |
|----------------------------------------------------------------------------------------------------------------------------------------------------------------------------------------------------------------------------------------------------------------------------------------------------------------------------------|----------------------------------------------------------------------------------------------------------------------------------------------------------------------------------------------------------|

