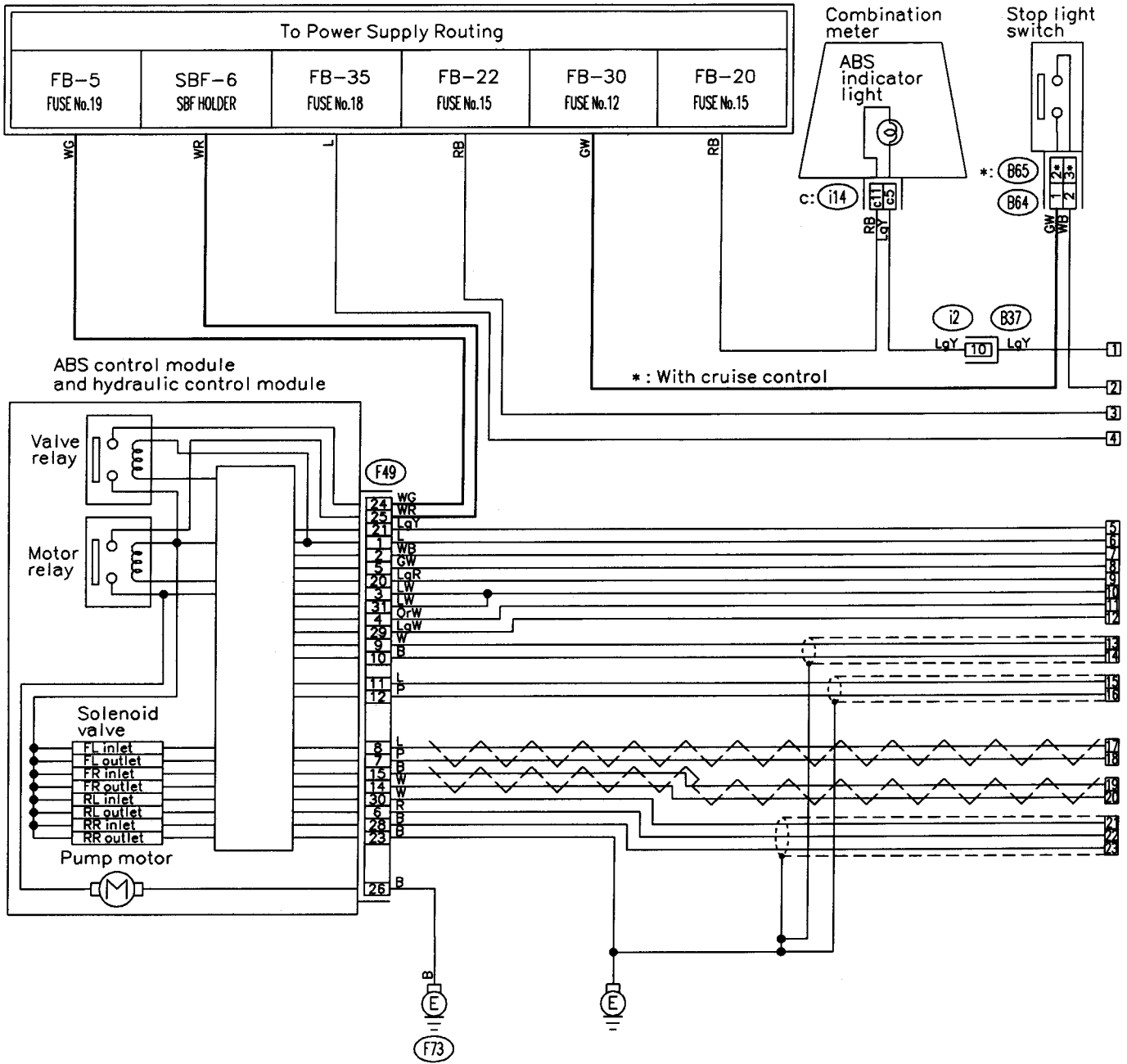


6. Wiring Diagram
4. ANTI-LOCK BRAKE SYSTEM



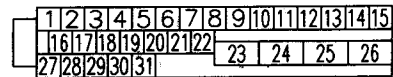
B64 (Black)



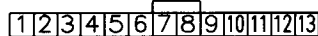
B65 (Black)



F49



i14



i2

