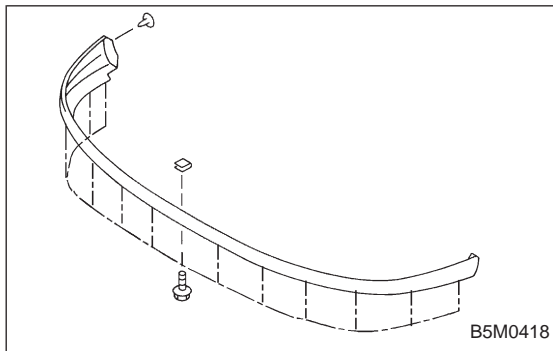


**22. Front Under Spoiler (All models except 2500 cc GT)**

**A: REMOVAL AND INSTALLATION**

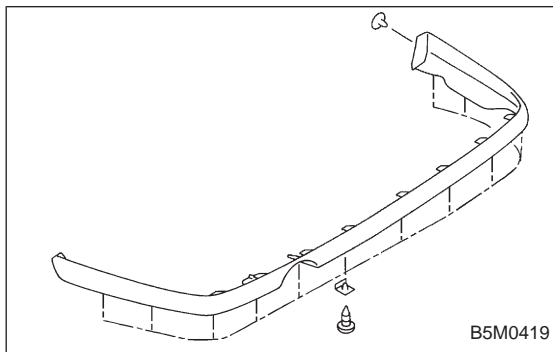
- 1) Remove clips.
- 2) Installation is in the reverse order of removal.



**23. Airdam Skirt (2500 cc GT model only)**

**A: REMOVAL AND INSTALLATION**

- 1) Remove airdam skirt mounting bolts and clips.
- 2) Installation is in the reverse order of removal.



**24. Rear Under Spoiler (2500 cc GT model only)**

**A: REMOVAL AND INSTALLATION**

- 1) Remove tapping screws and clips.
- 2) Installation is in the reverse order of removal.

**NOTE:**

- 12 tapping screws are used for 4 Door Sedan.
- 14 tapping screws are used for Station Wagon.