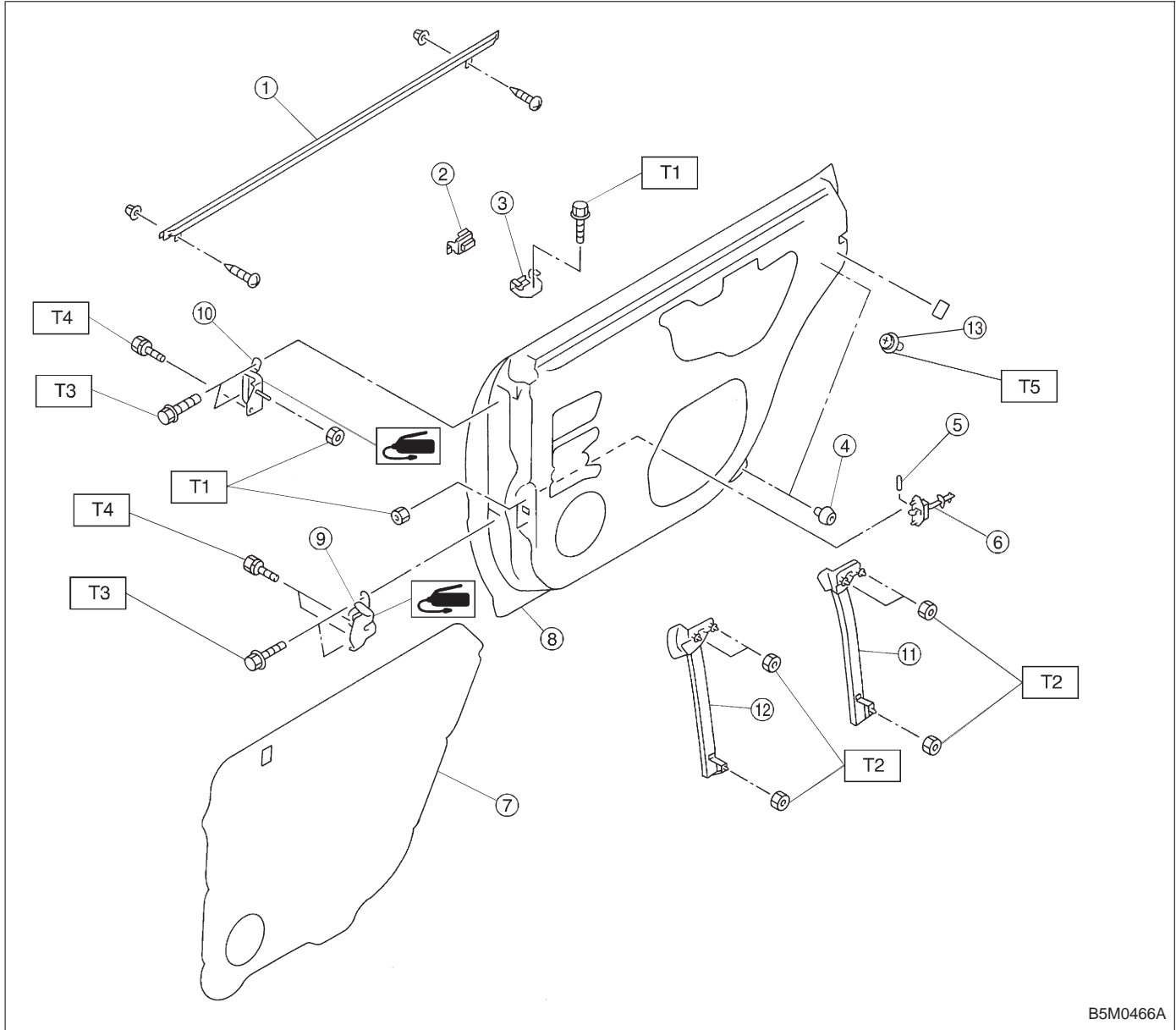


2. Rear Door



B5M0466A

- | | |
|------------------------|---------------------|
| ① Weatherstrip (Outer) | ⑧ Door panel |
| ② Stabilizer (Outer) | ⑨ Lower hinge |
| ③ Stabilizer (Inner) | ⑩ Upper hinge |
| ④ Stopper | ⑪ Door sash (Rear) |
| ⑤ Knock pin | ⑫ Door sash (Front) |
| ⑥ Checker | ⑬ Rear door catcher |
| ⑦ Seating cover | |

Tightening torque: N·m (kg·m, ft·lb)

T1: 7.4±2.0 (0.75±0.2, 5.4±1.4)

T2: 14±4 (1.4±0.4, 10.1±2.9)

T3: 25±3 (2.5±0.3, 18.1±2.2)

T4: 29±5 (3.0±0.5, 21.7±3.6)

T5: 37±10 (3.8±1.0, 27.5±7.2)