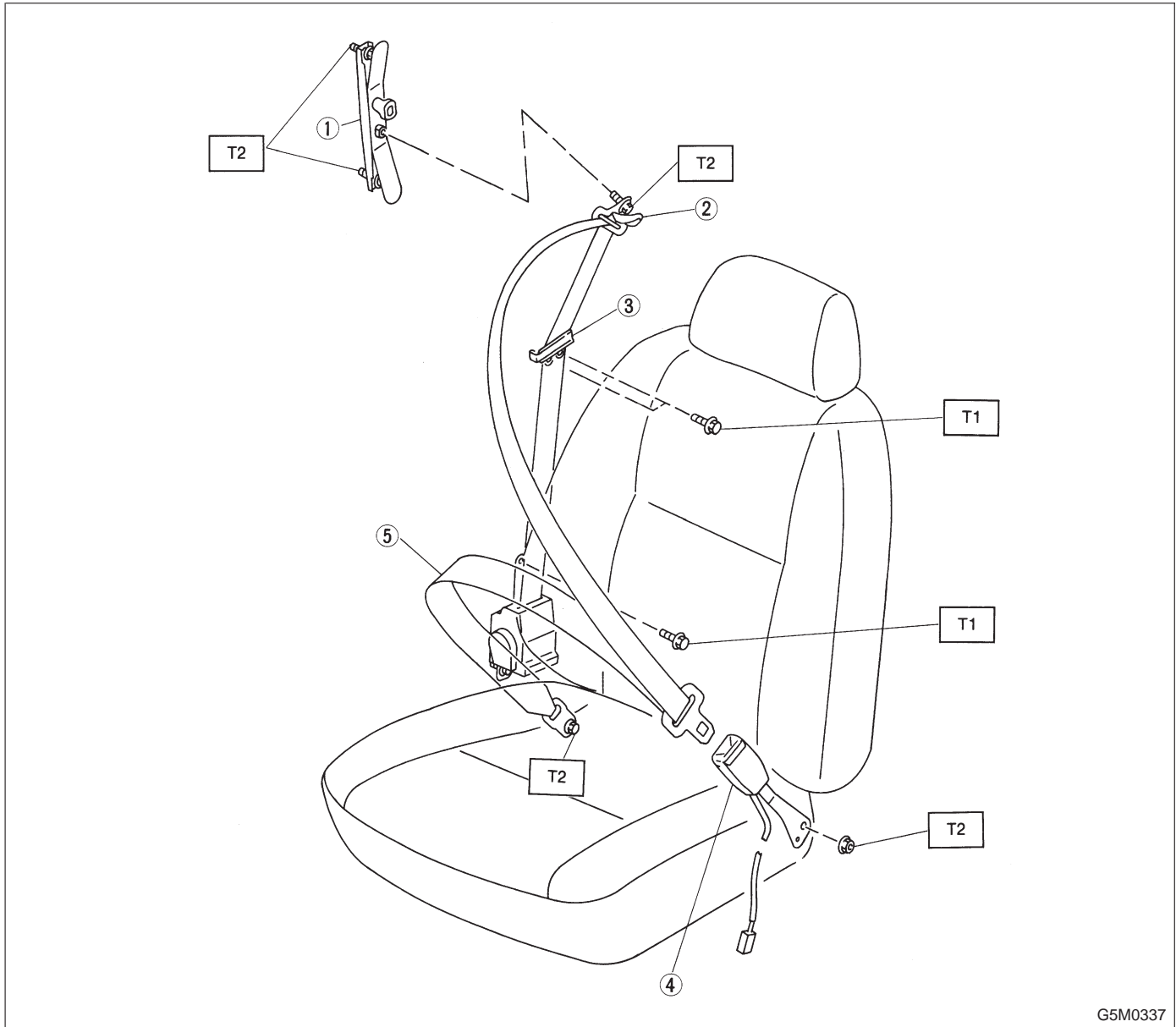


3. Front Seat Belt



- ① Adjuster anchor ASSY
- ② Through anchor cover
- ③ Webbing guide
- ④ Inner belt ASSY
- ⑤ Outer belt ASSY

Tightening torque: N·m (kg·m, ft·lb)
T1: 13±3 (1.3±0.3, 9.4±2.2)
T2: 35±13 (3.6±1.3, 26±9)