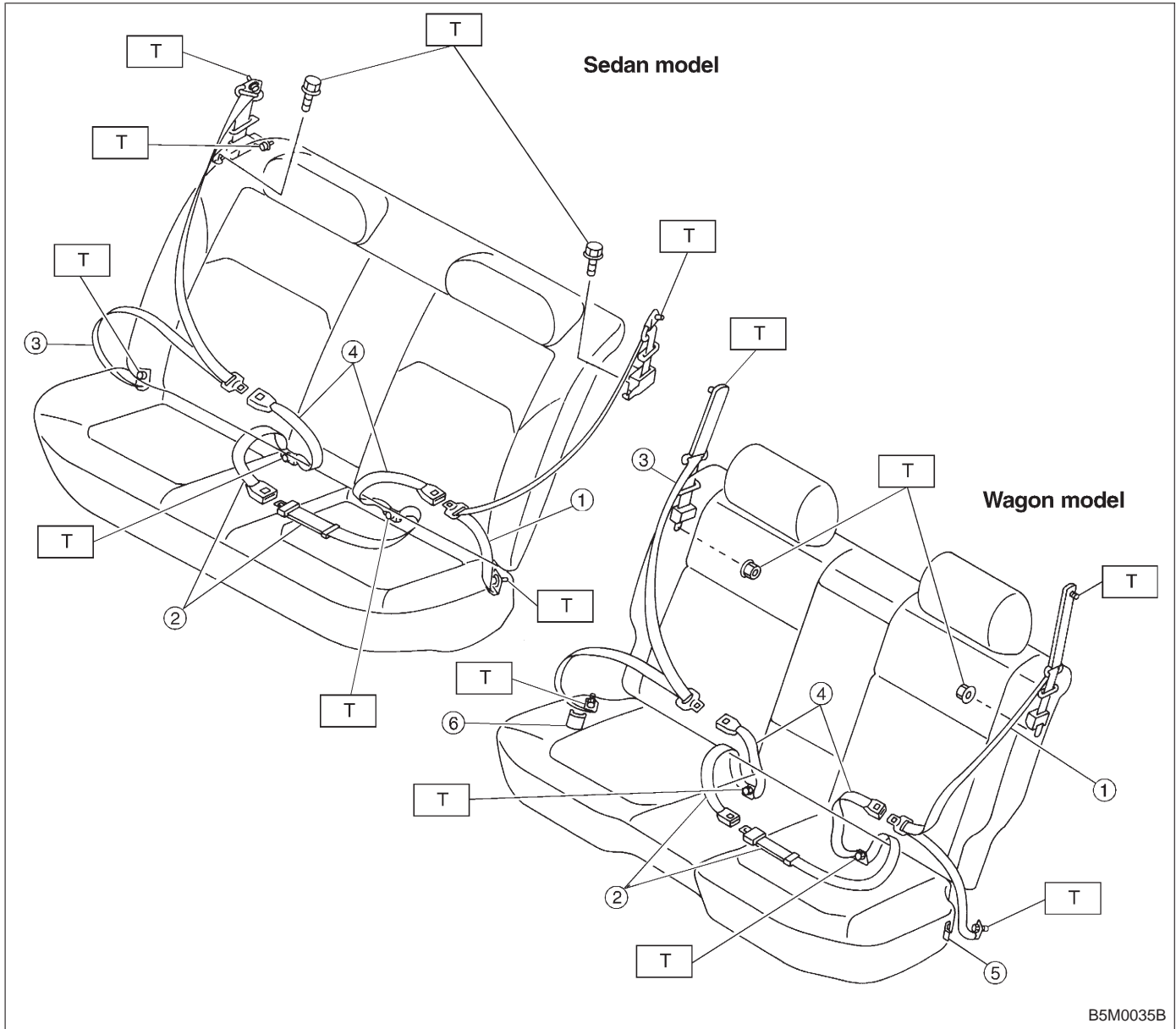


4. Rear Seat Belt



B5M0035B

- ① Outer seat belt (LH)
- ② Center seat belt
- ③ Outer seat belt (RH)
- ④ Inner seat belt

- ⑤ Lap anchor cover (LH)
- ⑥ Lap anchor cover (RH)

Tightening torque: N·m (kg·m, ft·lb)
T: 35±13 (3.6±1.3, 26±9)