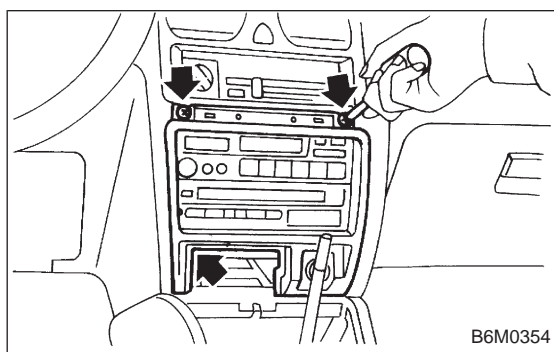


**3. SUNROOF RELAY**

Check continuity between terminals as indicated in table below, when battery voltage is applied between terminals No. 1 and No. 3.

When current flows.	Between terminals No. 2 and No. 4	Continuity exists.
When current does not flow.	Between terminals No. 2 and No. 4	Continuity does not exist.
	Between terminals No. 1 and No. 3	Continuity exists.

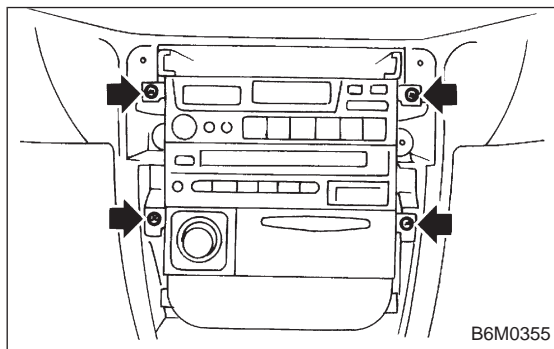


**20. Radio, Speaker and Antenna**

**A: REMOVAL AND INSTALLATION**

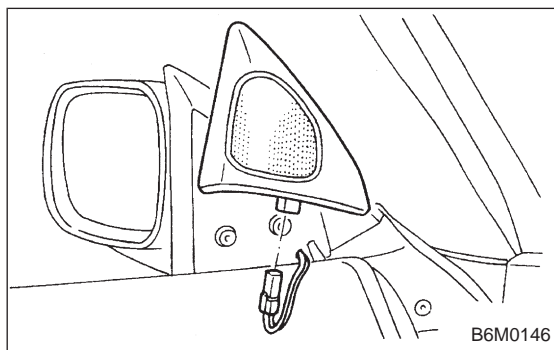
**1. RADIO BODY**

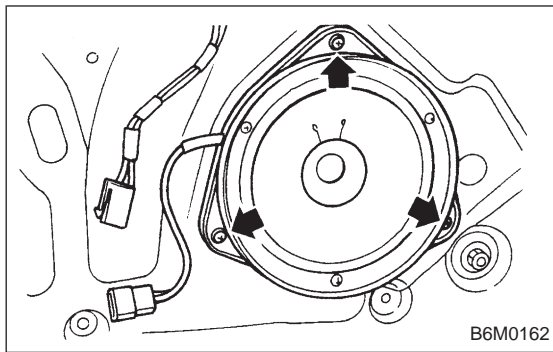
- 1) Remove hand brake cover.
- 2) Remove console cover.
- 3) Remove screws which secure center panel. Remove center panel.
- 4) Remove fitting screws, and slightly pull radio out of instrument panel.
- 5) Disconnect connectors and antenna feeder cord.



**2. FRONT SPEAKER**

- 1) Remove gusset speaker from behind the rearview mirror while disconnecting connector.
- 2) Remove door trim panel. <Ref. to 5-2 [W2A2].>





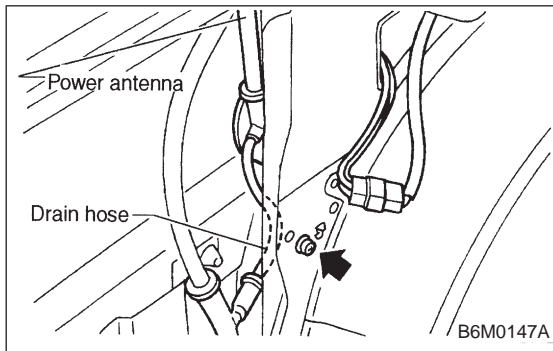
- 3) Disconnect connector from speaker.
- 4) Remove screws which secure the speaker.
- 5) Remove door mount speaker.

**3. REAR SPEAKER (SEDAN)**

- 1) Remove rear seat cushion and rear backrest.
- 2) Remove left and right rear quarter trim panels.
- 3) Remove rear shelf trim panel.
- 4) Remove screws which secure speaker.
- 5) Remove speaker while disconnecting connector from speaker.

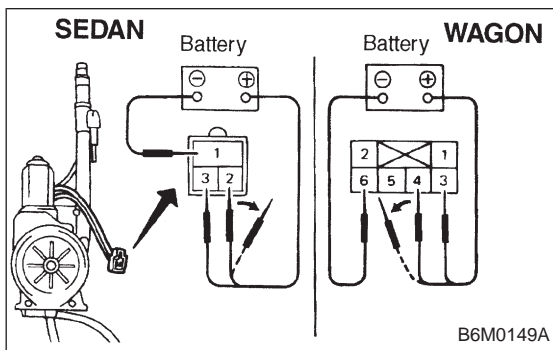
**4. REAR SPEAKER (WAGON)**

- 1) Remove door trim panel. <Ref. to 5-2 [W2A2].>
- 2) Disconnect connector from speaker.
- 3) Remove screws which secure the speaker.
- 4) Remove speaker.



**5. POWER ANTENNA**

- 1) Remove left side trunk trim (SEDAN), or left side rear lower quarter trim (WAGON).
- 2) Remove special nut (SEDAN).
- 3) Remove bolt which secures power antenna.
- 4) Remove power antenna while disconnecting connector and water drain hose.



**B: INSPECTION**

**1. POWER ANTENNA**

- 1) Connect battery positive (+) terminal to terminal No. 3 and connect terminal No. 1 (SEDAN) or No. 6 (WAGON) to ground. Ensure that antenna rod extends properly when battery positive (+) terminal is connected to terminal No. 2 (SEDAN) or No. 4 (WAGON).
- 2) Ensure that antenna rod retracts properly when battery positive (+) terminal is disconnected from terminal No. 2 (SEDAN) or No. 4 (WAGON).