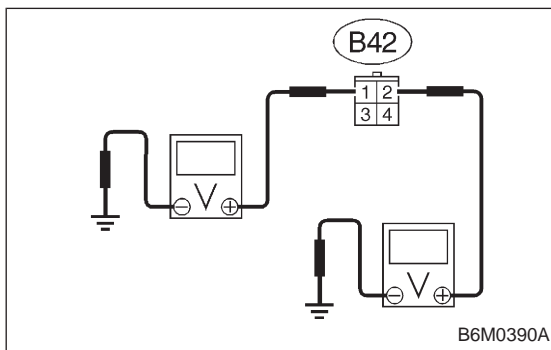
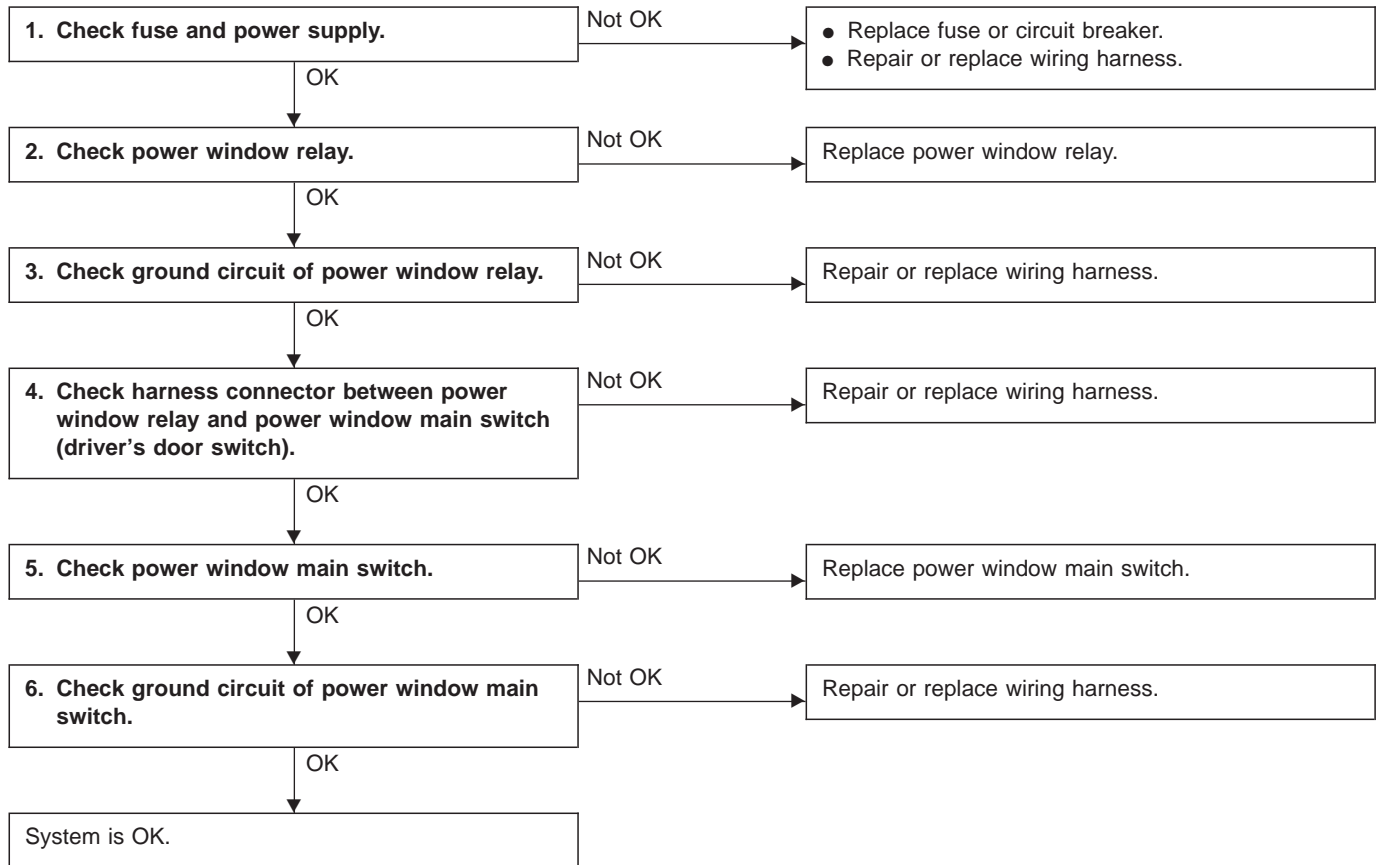


4. Power Window

A: DIAGNOSTICS PROCEDURE-1

Trouble symptom A: All door windows do not operate.

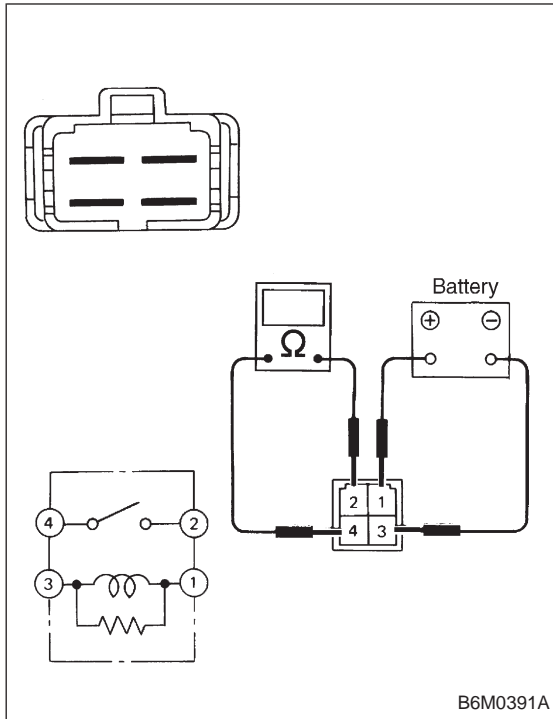


1. CHECK FUSE AND POWER SUPPLY.

- 1) Check fuse No. 15.
- 2) Disconnect connector of power window relay.
- 3) Turn ignition switch to ON.
- 4) Measure voltage between power window relay connector and body.

Connector & terminal / Specified voltage:

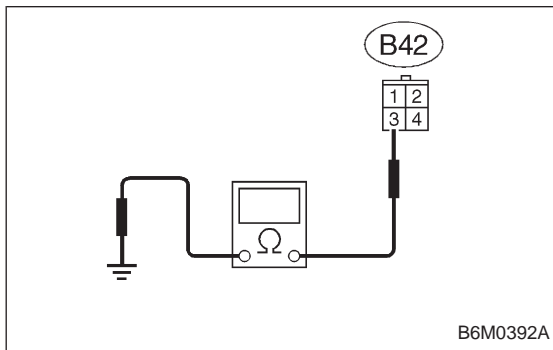
- (B42) No. 1 — Body / 10 V, or more**
(B42) No. 2 — Body / 10 V, or more



2. CHECK POWER WINDOW RELAY.

- 1) Disconnect connector of power window relay.
- 2) Connect battery to terminal No. 1 and ground terminal No. 3.
- 3) Check continuity between terminals as indicated in table below:

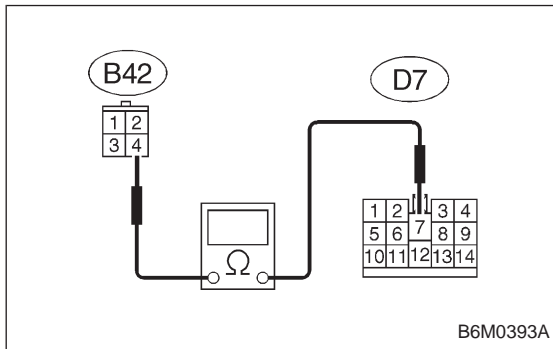
When current flows.	Between terminals No. 2 and No. 4	Continuity exists.
When current does not flow.	Between terminals No. 2 and No. 4	Continuity does not exist.
	Between terminals No. 1 and No. 3	Continuity exists.



3. CHECK GROUND CIRCUIT OF POWER WINDOW RELAY.

- 1) Disconnect connector of power window relay.
- 2) Measure resistance of harness connector between power window relay and body.

Connector & terminal / Specified resistance:
(B42) No. 3 — Body / 10 Ω, max.



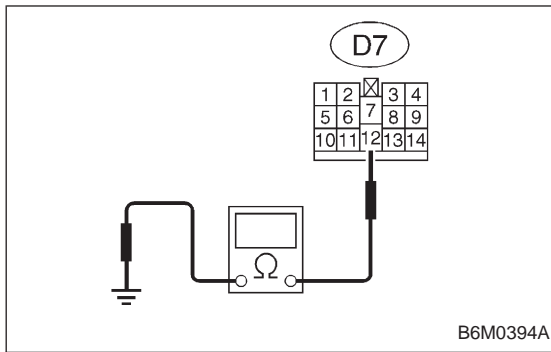
4. CHECK HARNESS CONNECTOR BETWEEN POWER WINDOW RELAY AND POWER WINDOW MAIN SWITCH (DRIVER'S DOOR SWITCH).

- 1) Disconnect connectors of power window relay and power window main switch.
- 2) Measure resistance of harness connector between power window relay and power window main switch.

Connector & terminal / Specified resistance:
(B42) No. 4 — (D7) No. 7 / 10 Ω, max.

5. CHECK POWER WINDOW MAIN SWITCH.

Refer to 6-2 [W16B1] for inspection of power window main switch.



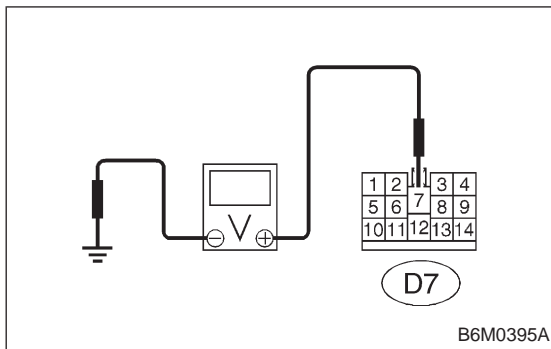
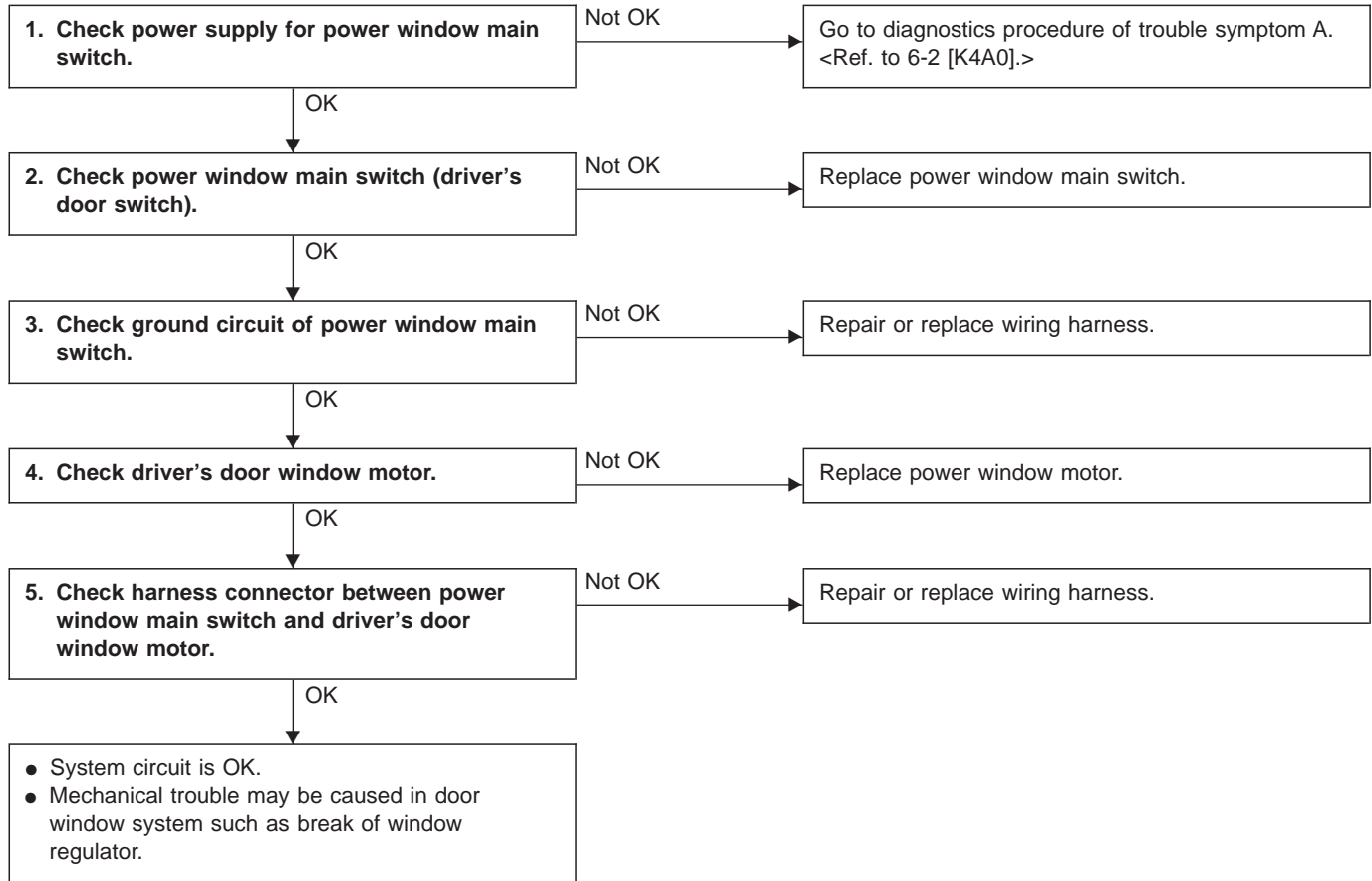
6. CHECK GROUND CIRCUIT OF POWER WINDOW MAIN SWITCH.

- 1) Disconnect connector of power window main switch.
- 2) Measure resistance of harness connector between power window main switch and body.

Connector & terminal / Specified resistance:
(D7) No. 12 — Body / 10 Ω, max.

B: DIAGNOSTICS PROCEDURE-2

Trouble symptom B: Only driver's door window does not operate.

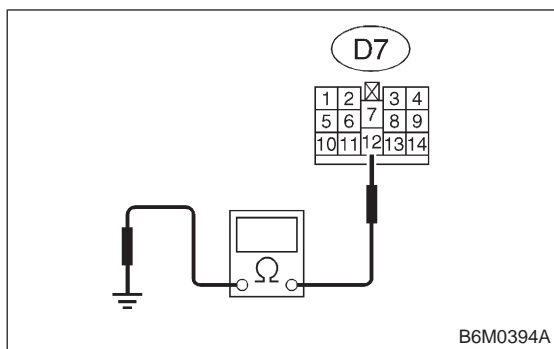
**1. CHECK POWER SUPPLY FOR POWER WINDOW MAIN SWITCH.**

- 1) Disconnect connector of power window main switch.
- 2) Turn ignition switch to ON.
- 3) Measure voltage between power window main switch connector and body.

Connector & terminal / Specified voltage:
(D7) No. 7 — Body / 10 V, or more

2. CHECK POWER WINDOW MAIN SWITCH (DRIVER'S DOOR SWITCH).

Refer to 6-2 [W16B1] for inspection of power window main switch.



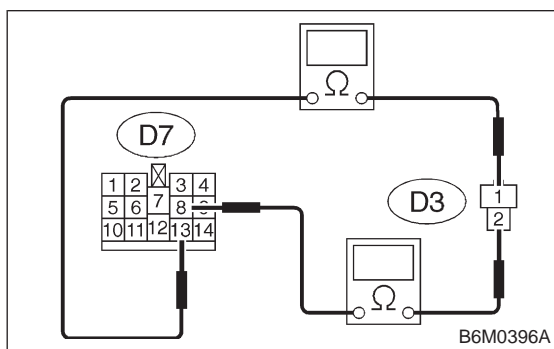
3. CHECK GROUND CIRCUIT OF POWER WINDOW MAIN SWITCH.

- 1) Disconnect connector of power window main switch.
- 2) Measure resistance of harness connector between power window main switch and body.

Connector & terminal / Specified resistance:
(D7) No. 12 — Body / 10 Ω, max.

4. CHECK DRIVER'S DOOR WINDOW MOTOR.

- 1) Disconnect connector of power window motor (driver's door).
- 2) Make sure that power window motor rotates properly when battery voltage is applied to terminals of motor connector.
- 3) Change polarity of battery connections to terminals to ensure that motor rotates in reverse direction.



5. CHECK HARNESS CONNECTOR BETWEEN POWER WINDOW MAIN SWITCH AND DRIVER'S DOOR WINDOW MOTOR.

- 1) Disconnect connectors of power window main switch and power window motor (driver's door).
- 2) Measure resistance of harness connector between power window main switch and power window motor.

Connector & terminal / Specified resistance:

LHD model:

(D7) No. 8 — (D3) No. 2 / 10 Ω, max.

(D7) No. 13 — (D3) No. 1 / 10 Ω, max.

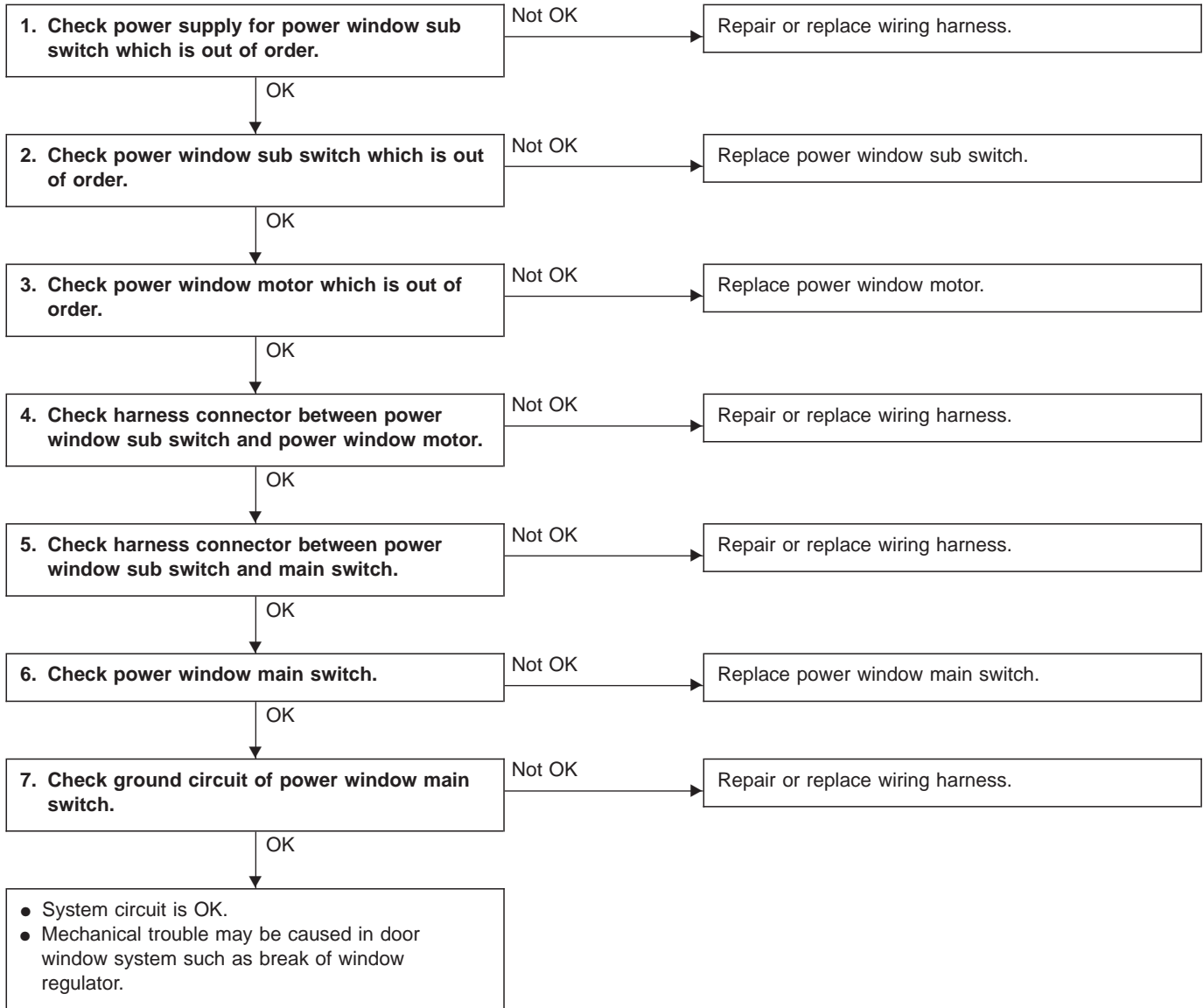
RHD model:

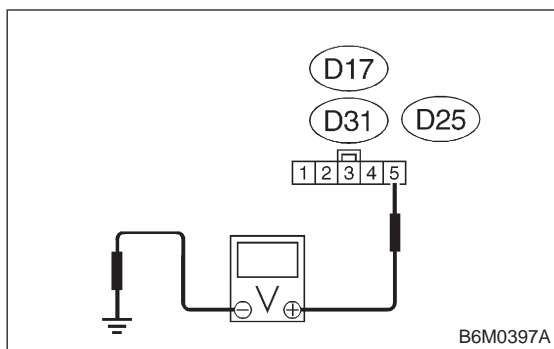
(D7) No. 6 — (D3) No. 2 / 10 Ω, max.

(D7) No. 11 — (D3) No. 1 / 10 Ω, max.

C: DIAGNOSTICS PROCEDURE-3

Trouble symptom C: One or more of passenger's door window do not operate.





1. CHECK POWER SUPPLY FOR POWER WINDOW SUB SWITCH WHICH IS OUT OF ORDER.

- 1) Disconnect connector of power window sub switch.
- 2) Turn ignition switch to ON.
- 3) Measure voltage between power window sub switch connector and body.

Connector & terminal / Specified voltage:

(D17) No. 5 — Body / 10 V, or more
(Front passenger)

(D31) No. 5 — Body / 10 V, or more (Rear RH)

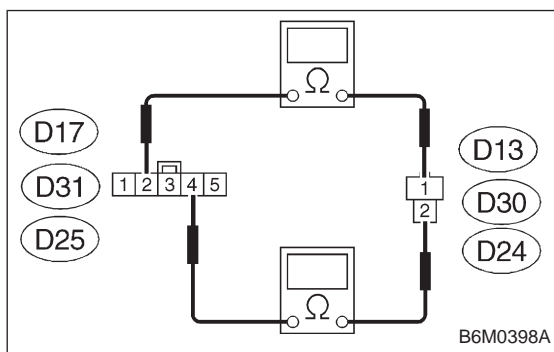
(D25) No. 5 — Body / 10 V, or more (Rear LH)

2. CHECK POWER WINDOW SUB SWITCH WHICH IS OUT OF ORDER.

Refer to 6-2 [W16B2] for inspection of power window sub switch.

3. CHECK POWER WINDOW MOTOR WHICH IS OUT OF ORDER.

- 1) Disconnect connector of power window motor.
- 2) Make sure that power window motor rotates properly when battery voltage is applied to terminals of motor connector.
- 3) Change polarity of battery connections to terminals to ensure that motor rotates in reverse direction.



4. CHECK HARNESS CONNECTOR BETWEEN POWER WINDOW SUB SWITCH AND POWER WINDOW MOTOR.

- 1) Disconnect connectors of power window sub switch and power window motor.
- 2) Measure resistance of harness connector between power window sub switch and power window motor.

Connector & terminal / Specified resistance:

(D17) No. 2 — (D13) No. 1 / 10 Ω , max.

(Front passenger)

(D17) No. 4 — (D13) No. 2 / 10 Ω , max.

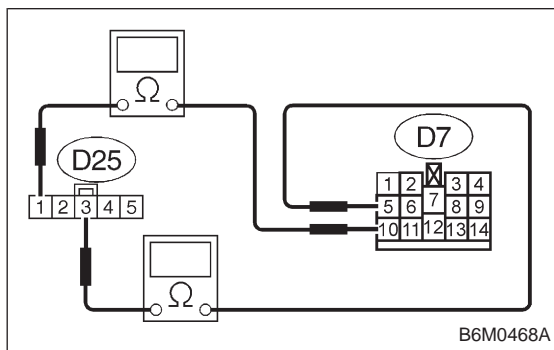
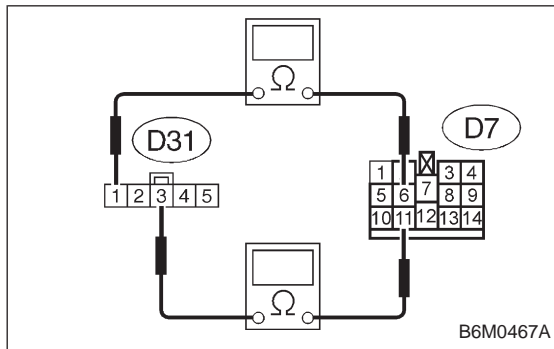
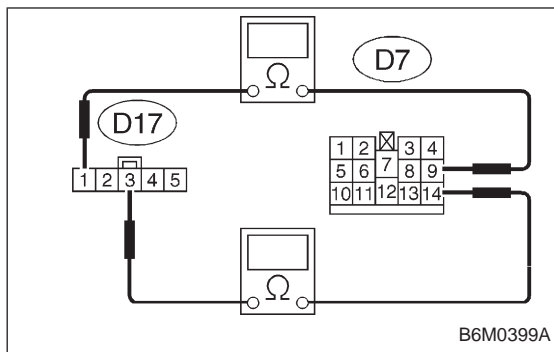
(Front passenger)

(D31) No. 2 — (D30) No. 1 / 10 Ω , max. (Rear RH)

(D31) No. 4 — (D30) No. 2 / 10 Ω , max. (Rear RH)

(D25) No. 2 — (D24) No. 1 / 10 Ω , max. (Rear LH)

(D25) No. 4 — (D24) No. 2 / 10 Ω , max. (Rear LH)



5. CHECK HARNESS CONNECTOR BETWEEN POWER WINDOW SUB SWITCH AND MAIN SWITCH.

- 1) Disconnect connectors of power window sub switch and main switch.
- 2) Measure resistance of harness connector between power window sub switch and main switch.

Connector & terminal / Specified resistance:

LHD model:

(D17) No. 1 — (D7) No. 9 / 10 Ω , max.

(Front passenger)

(D17) No. 3 — (D7) No. 14 / 10 Ω , max.

(Front passenger)

(D31) No. 1 — (D7) No. 6 / 10 Ω , max. (Rear RH)

(D31) No. 3 — (D7) No. 11 / 10 Ω , max. (Rear RH)

(D25) No. 1 — (D7) No. 10 / 10 Ω , max. (Rear LH)

(D25) No. 3 — (D7) No. 5 / 10 Ω , max. (Rear LH)

RHD model:

(D17) No. 1 — (D7) No. 10 / 10 Ω , max.

(Front passenger)

(D17) No. 3 — (D7) No. 5 / 10 Ω , max.

(Front passenger)

(D31) No. 1 — (D7) No. 9 / 10 Ω , max. (Rear RH)

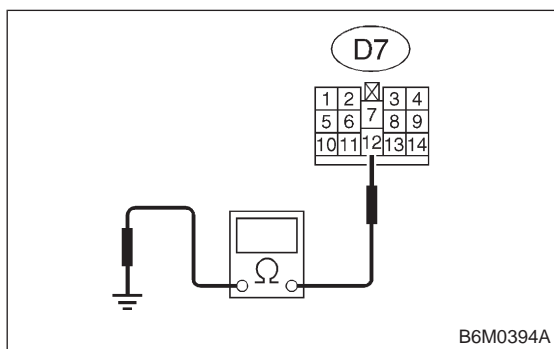
(D31) No. 3 — (D7) No. 14 / 10 Ω , max. (Rear RH)

(D25) No. 1 — (D7) No. 13 / 10 Ω , max. (Rear LH)

(D25) No. 3 — (D7) No. 8 / 10 Ω , max. (Rear LH)

6. CHECK POWER WINDOW MAIN SWITCH.

Refer to 6-2 [W16B1] for inspection of power window main switch.



7. CHECK GROUND CIRCUIT OF POWER WINDOW MAIN SWITCH.

- 1) Disconnect connector of power window main switch.
- 2) Measure resistance of harness connector between power window main switch and body.

Connector & terminal / Specified resistance:

(D7) No. 12 — Body / 10 Ω , max.