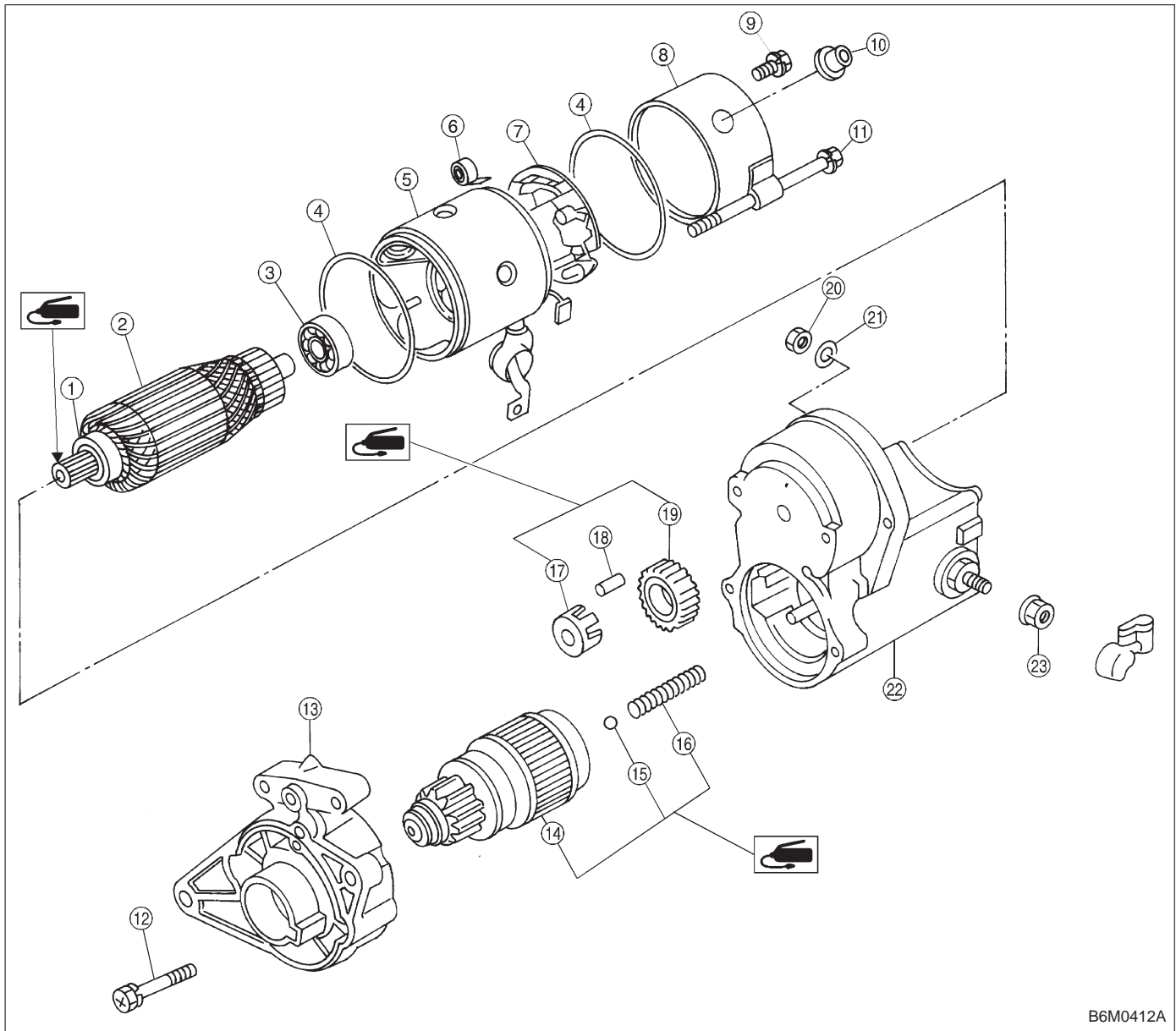


1. Starter

1. MT: 128000-8311

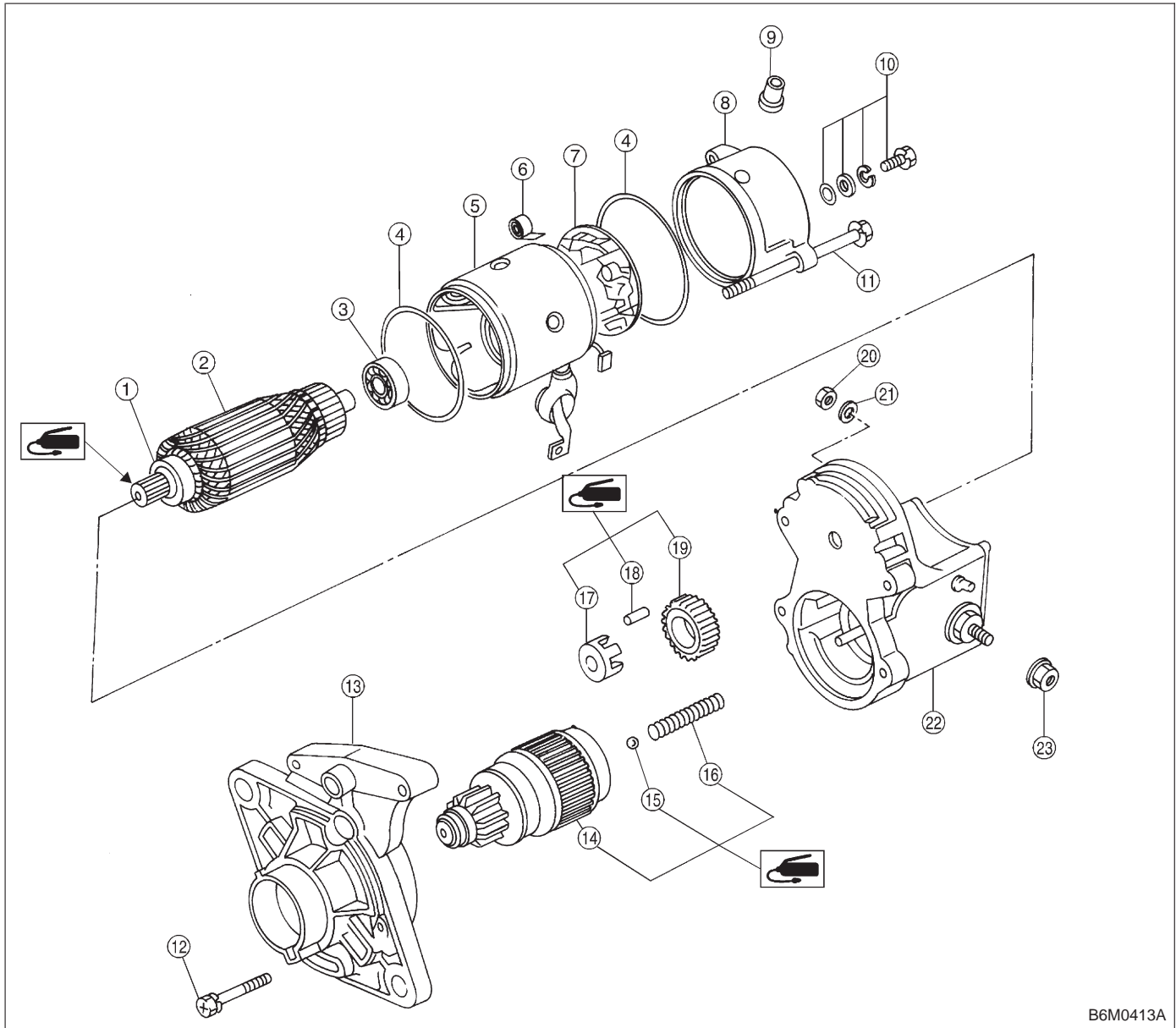


B6M0412A

- ① Front ball bearing
- ② Armature
- ③ Rear ball bearing
- ④ O-ring
- ⑤ Yoke
- ⑥ Brush spring
- ⑦ Brush holder
- ⑧ End frame
- ⑨ Screw & washer
- ⑩ Cover
- ⑪ Through bolt
- ⑫ Screw & washer

- ⑬ Starter housing
- ⑭ Overrunning clutch
- ⑮ Steel ball
- ⑯ Spring
- ⑰ Retainer
- ⑱ Roller
- ⑲ Idle gear
- ⑳ Nut
- ㉑ Spring washer
- ㉒ Magnet switch
- ㉓ Nut

2. AT: 128000-8321



B6M0413A

- | | |
|----------------------|----------------------|
| ① Front ball bearing | ⑬ Starter housing |
| ② Armature | ⑭ Overrunning clutch |
| ③ Rear ball bearing | ⑮ Steel ball |
| ④ O-ring | ⑯ Spring |
| ⑤ Yoke | ⑰ Retainer |
| ⑥ Brush spring | ⑱ Roller |
| ⑦ Brush holder | ⑲ Idle gear |
| ⑧ End frame | ⑳ Nut |
| ⑨ Cover | ㉑ Spring washer |
| ⑩ Screw & washer | ㉒ Magnet switch |
| ⑪ Through bolt | ㉓ Nut |
| ⑫ Screw & washer | |