

### 3. Canister

#### A: REMOVAL AND INSTALLATION

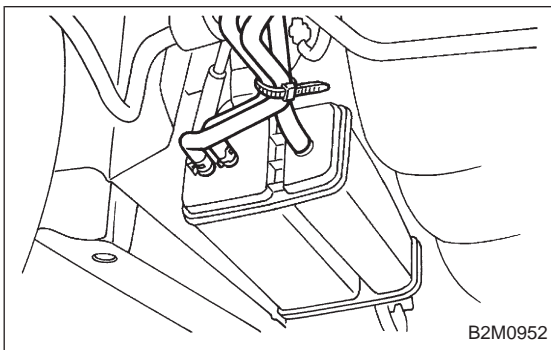
##### 1. 2200 cc FWD AND 2500 cc MODEL

- 1) Disconnect canister hoses from evaporation pipes.
- 2) Remove canister with bracket.

3) Installation is in the reverse order of removal.

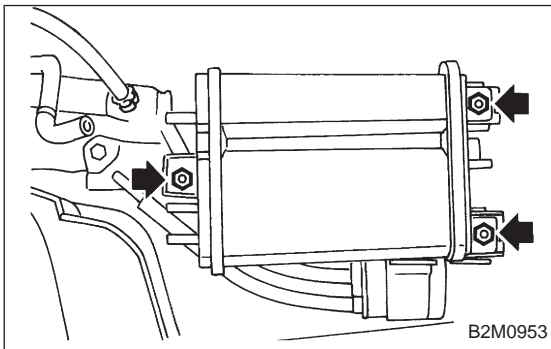
#### CAUTION:

**Insert air vent hose of canister into the hole on body.**



##### 2. 2200 cc AWD MODEL

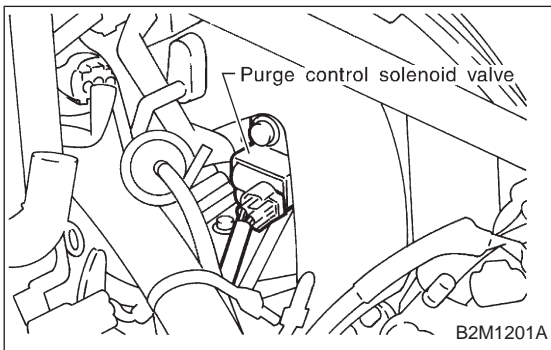
- 1) Lift-up the vehicle.
- 2) Disconnect evaporation hoses from canister.



- 3) Remove canister from body.
- 4) Installation is in the reverse order of removal.

#### Tightening torque:

**25±7 N·m (2.5±0.7 kg·m, 18.1±5.1 ft·lb)**



### 4. Purge Control Solenoid Valve

#### A: REMOVAL AND INSTALLATION

- 1) Disconnect connector from purge control solenoid valve.
- 2) Disconnect vacuum hoses from purge control solenoid valve.
- 3) Remove bolt which installs purge control solenoid valve to intake manifold.
- 4) Take out purge control solenoid valve.