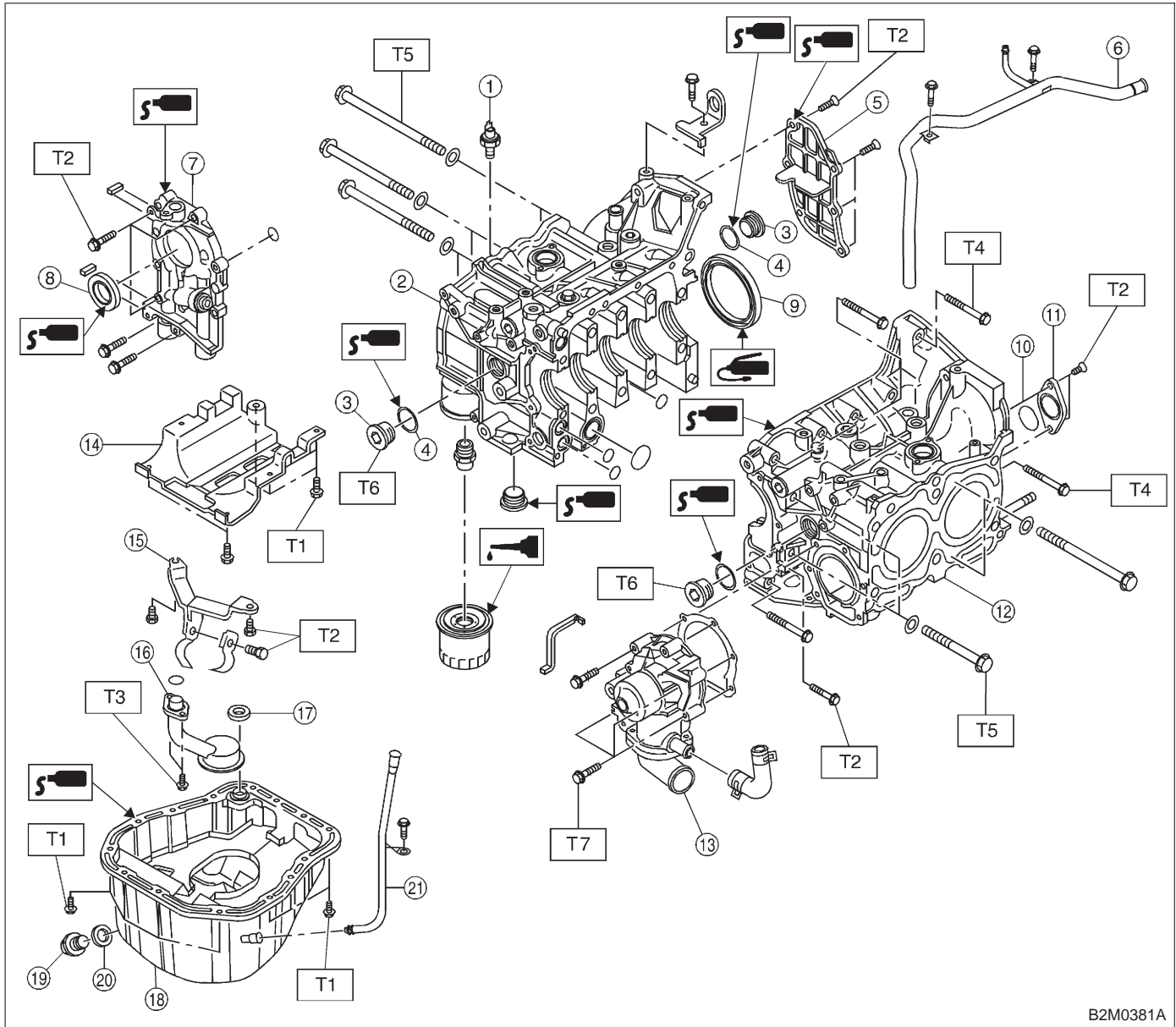


4. Cylinder Block



B2M0381A

- ① Oil pressure switch
- ② Cylinder block (RH)
- ③ Service hole plug
- ④ Gasket
- ⑤ Oil separator cover
- ⑥ Water pipe
- ⑦ Oil pump
- ⑧ Front oil seal
- ⑨ Rear oil seal
- ⑩ O-ring
- ⑪ Service hole cover
- ⑫ Cylinder block (LH)
- ⑬ Engine coolant pump
- ⑭ Baffle plate
- ⑮ Oil strainer stay
- ⑯ Oil strainer

- ⑰ Gasket
- ⑱ Oil pan
- ⑲ Oil drain plug
- ⑳ Gasket
- ㉑ Oil filler pipe

Tightening torque: N-m (kg-m, ft-lb)

- T1: 5 (0.5, 3.6)**
- T2: 6.4 (0.65, 4.7)**
- T3: 10 (1.0, 7)**
- T4: 25±2 (2.5±0.2, 18.1±1.4)**
- T5: 47±3 (4.8±0.3, 34.7±2.2)**
- T6: 69±7 (7.0±0.7, 50.6±5.1)**
- T7: First 12±2 (1.2±0.2, 8.7±1.4)**
- Second 12±2 (1.2±0.2, 8.7±1.4)**