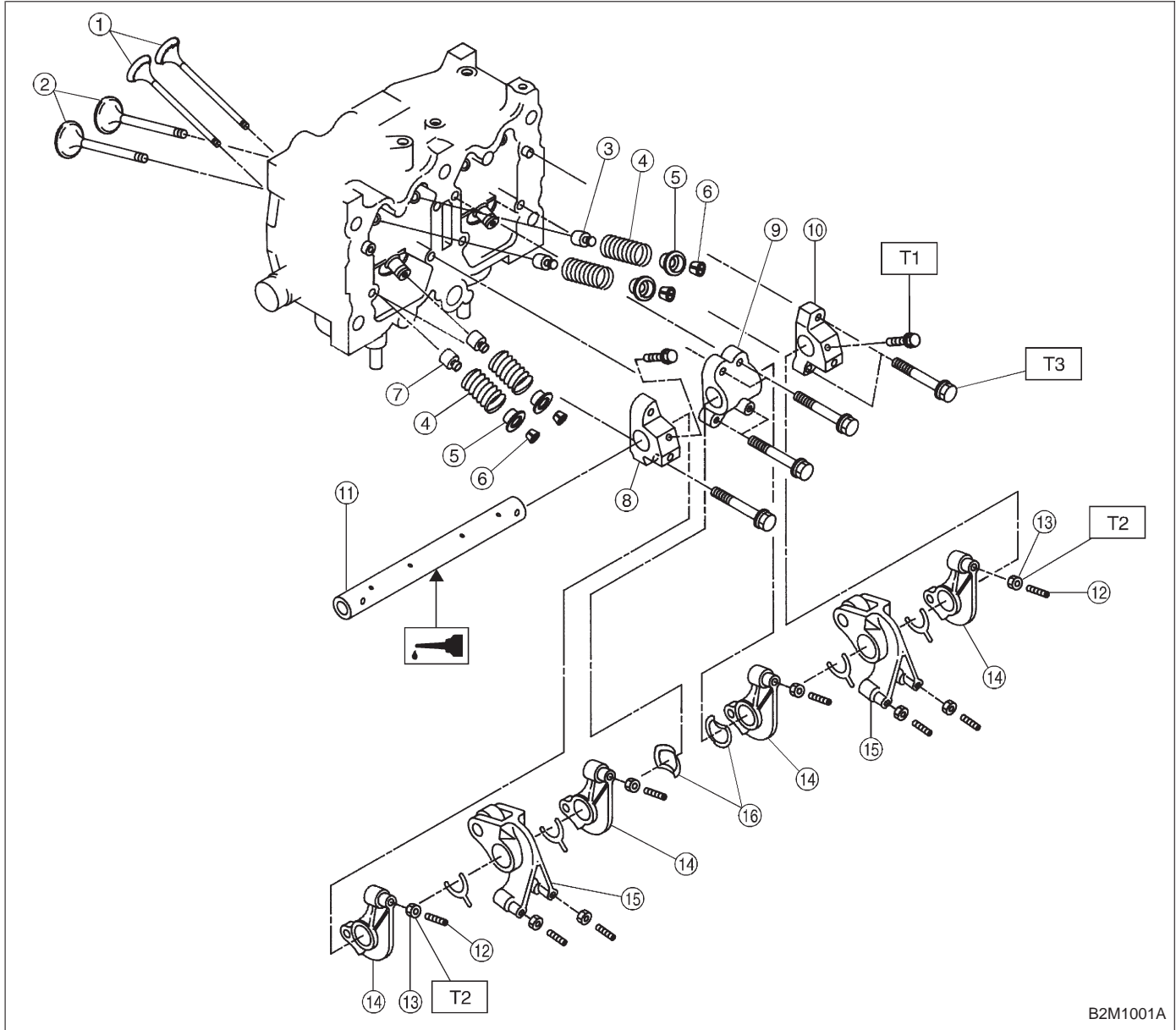


3. Cylinder Head and Valve Assembly



B2M1001A

- ① Exhaust valve
- ② Intake valve
- ③ Intake valve oil seal
- ④ Valve spring
- ⑤ Retainer
- ⑥ Retainer key
- ⑦ Exhaust valve oil seal
- ⑧ Rocker shaft support
- ⑨ Rocker shaft support
- ⑩ Rocker shaft support
- ⑪ Rocker shaft

- ⑫ Valve rocker adjust screw
- ⑬ Valve rocker nut
- ⑭ Intake valve rocker arm
- ⑮ Exhaust valve rocker arm
- ⑯ Spring

Tightening torque: N·m (kg·m, ft·lb)

T1: 5±1 (0.5±0.1, 3.6±0.7)

T2: 10±1 (1.0±0.1, 7.2±0.7)

T3: 12±1 (1.2±0.1, 8.7±0.7)