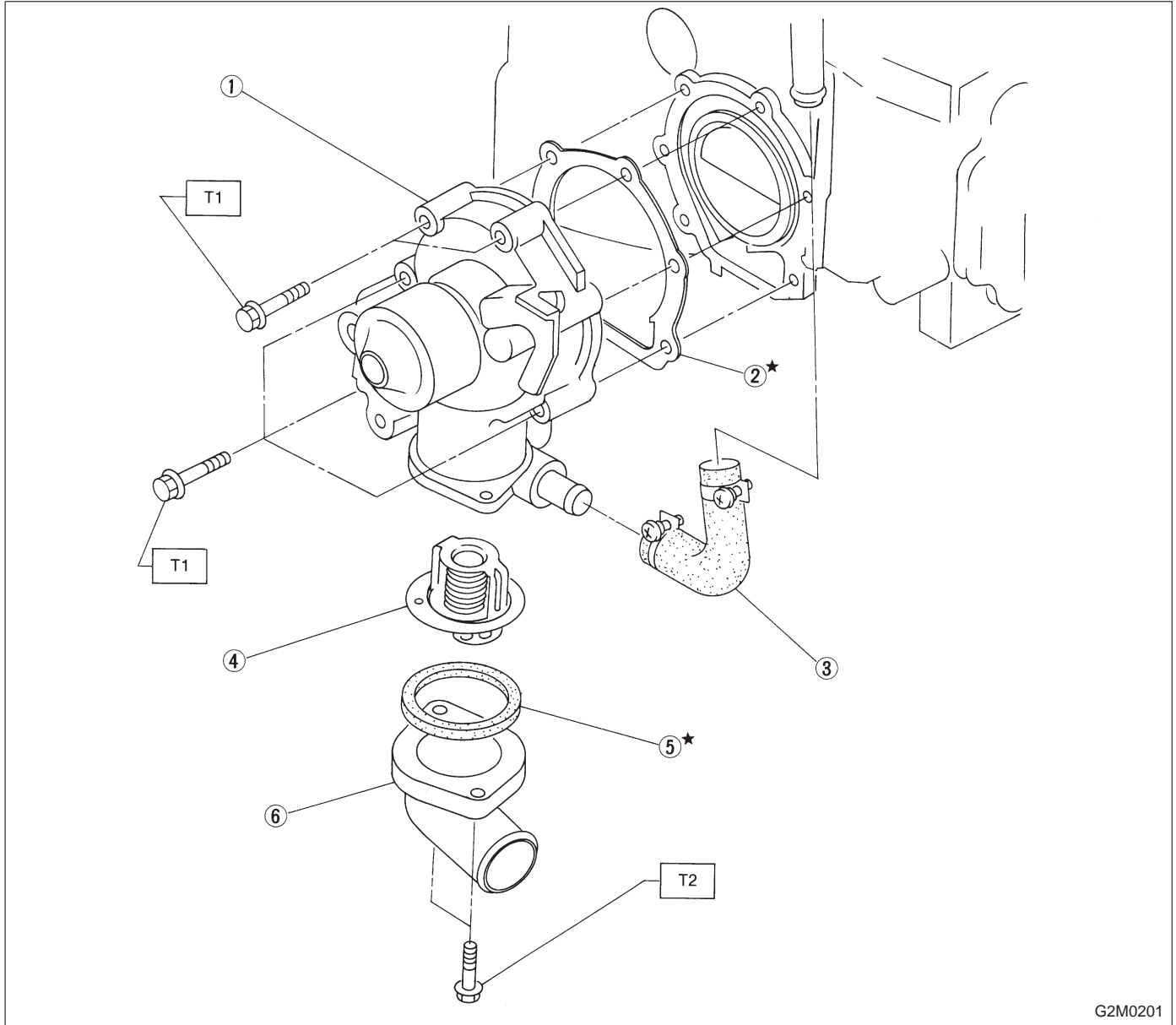


1. Engine Coolant Pump



G2M0201

- ① Engine coolant pump ASSY
- ② Gasket
- ③ Heater hose
- ④ Thermostat
- ⑤ Gasket
- ⑥ Thermostat case

**Tightening torque: N·m (kg-m, ft-lb)**

T1: First  $10^{+4}_0$  (1.0<sup>+0.4</sup>, 7.2<sup>+2.9</sup>)  
 Second  $10^{+4}_0$  (1.0<sup>+0.4</sup>, 7.2<sup>+2.9</sup>)

T2:  $6.4 \pm 0.5$  (0.65 $\pm$ 0.05, 4.7 $\pm$ 0.4)