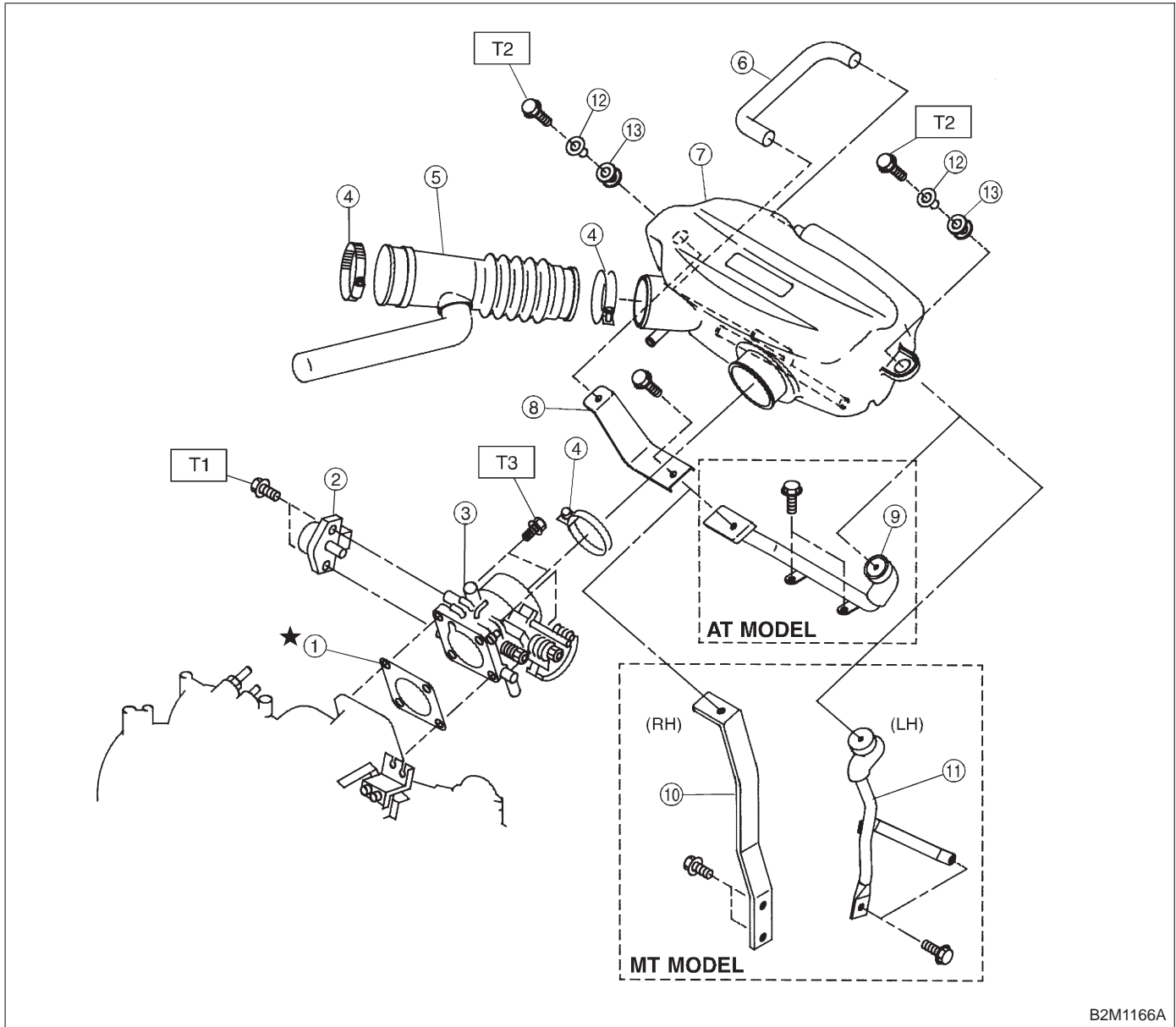


2. Air Intake System



B2M1166A

- |                            |                     |
|----------------------------|---------------------|
| ① Gasket                   | ⑧ Stay A            |
| ② Throttle position sensor | ⑨ Stay B (AT model) |
| ③ Throttle body            | ⑩ Stay C (MT model) |
| ④ Clamp                    | ⑪ Stay D (MT model) |
| ⑤ Air intake duct          | ⑫ Spacer            |
| ⑥ By-pass hose             | ⑬ Bush              |
| ⑦ Air intake chamber       |                     |

**Tightening torque: N·m (kg·m, ft·lb)**  
**T1: 2.2±0.2 (0.22±0.02, 1.6±0.1)**  
**T2: 4.9±0.5 (0.5±0.05, 3.6±0.4)**  
**T3: 22±2 (2.2±0.2, 15.9±1.4)**