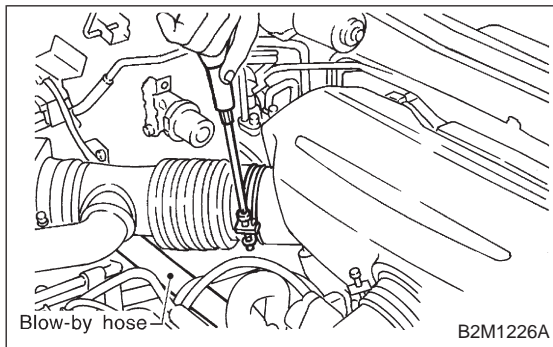


## 1. Air Cleaner and Air Intake Duct

### A: REMOVAL AND INSTALLATION

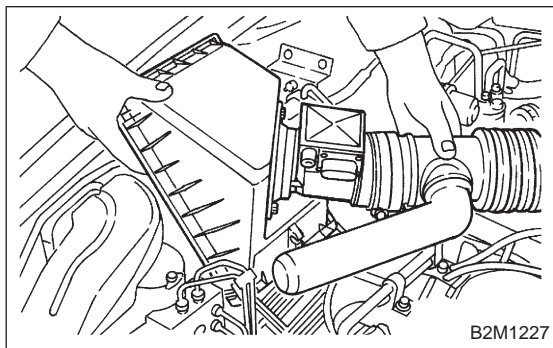
1) Disconnect connector from mass air flow sensor.



2) Loosen clamp which connects air intake duct to air intake chamber.

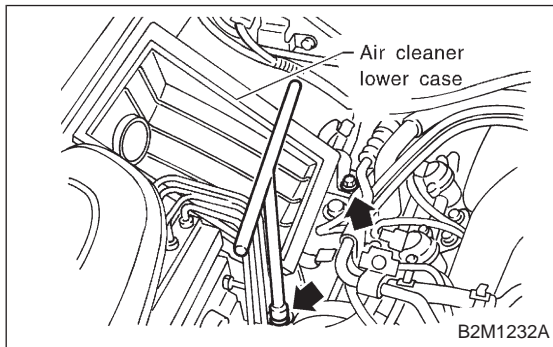
3) Remove two clips of air cleaner upper cover.

4) Disconnect blow-by hose from air intake duct.

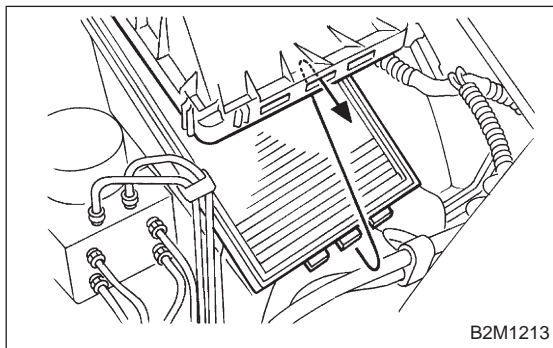


5) Remove air intake duct and air cleaner upper cover as a unit.

6) Remove air cleaner element.



7) Remove air cleaner lower case.



8) Installation is in the reverse order of removal.

#### CAUTION:

**Before installing air cleaner upper cover, align holes with protruding portions of air cleaner lower case, then secure upper cover to lower case.**