

8. Rear Oxygen Sensor

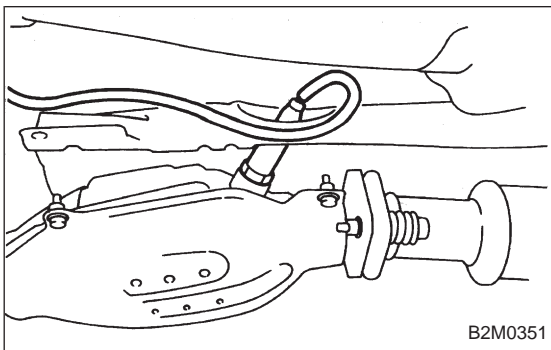
A: REMOVAL

1. EXCEPT CALIFORNIA 2200 cc MODEL

- 1) Lift-up the vehicle.
- 2) Disconnect connector from rear oxygen sensor.

3) Apply SUBARU CRC or its equivalent to threaded portion of rear oxygen sensor, and leave it for one minute or more.

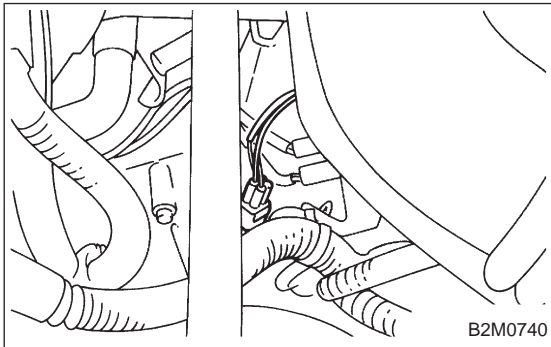
SUBARU CRC (Part No. 004301003)



- 4) Remove rear oxygen sensor.

CAUTION:

When removing rear oxygen sensor, do not force rear oxygen sensor especially when exhaust pipe is cold, otherwise it will damage exhaust pipe.

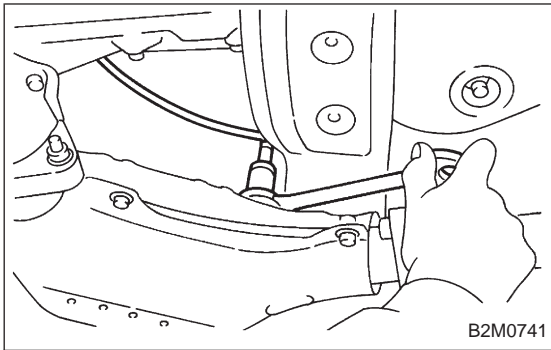


2. CALIFORNIA 2200 cc MODEL

- 1) Disconnect connector from rear oxygen sensor.
- 2) Lift-up the vehicle.

3) Apply SUBARU CRC or its equivalent to threaded portion of rear oxygen sensor, and leave it for one minute or more.

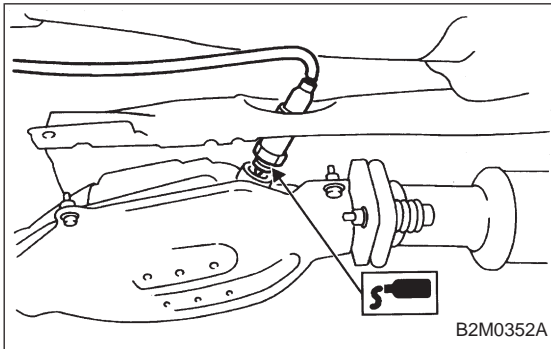
SUBARU CRC (Part No. 004301003)



4) Remove rear oxygen sensor.

CAUTION:

When removing rear oxygen sensor, do not force rear oxygen sensor especially when exhaust pipe is cold, otherwise it will damage exhaust pipe.



B: INSTALLATION

1. EXCEPT CALIFORNIA 2200 cc MODEL

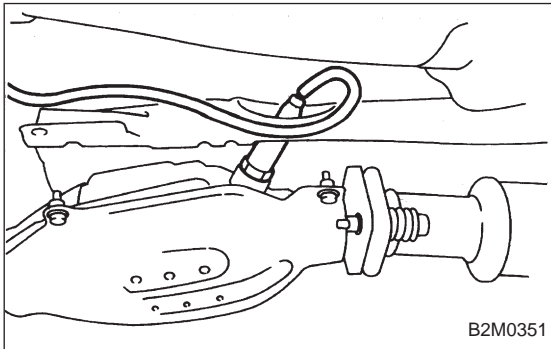
1) Before installing rear oxygen sensor, apply anti-seize compound only to threaded portion of rear oxygen sensor to make the next removal easier.

Anti-seize compound:

SS-30 by JET LUBE

CAUTION:

Never apply anti-seize compound to protector of rear oxygen sensor.



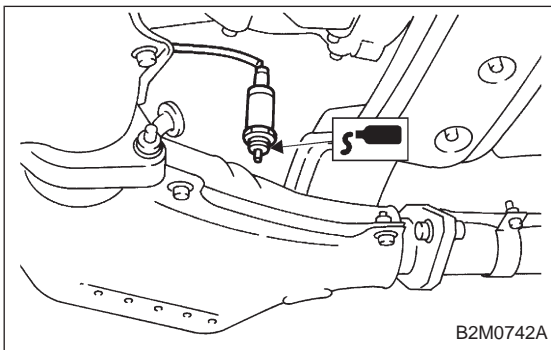
2) Install rear oxygen sensor.

Tightening torque:

21 ± 3 N·m (2.1 ± 0.3 kg·m, 15.2 ± 2.2 ft·lb)

3) Connect connector of rear oxygen sensor.

4) Lower the vehicle.



2. CALIFORNIA 2200 cc MODEL

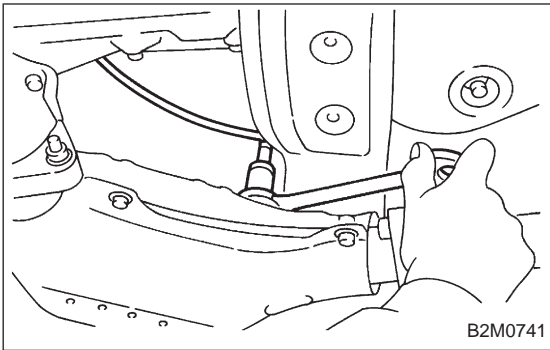
1) Before installing rear oxygen sensor, apply anti-seize compound only to threaded portion of rear oxygen sensor to make the next removal easier.

Anti-seize compound:

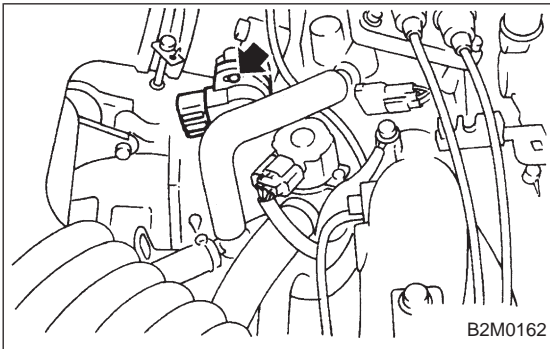
SS-30 by JET LUBE

CAUTION:

Never apply anti-seize compound to protector of rear oxygen sensor.



- 2) Install rear oxygen sensor.
- Tightening torque:**
 $21 \pm 3 \text{ N}\cdot\text{m}$ ($2.1 \pm 0.3 \text{ kg}\cdot\text{m}$, $15.2 \pm 2.2 \text{ ft}\cdot\text{lb}$)
- 3) Lower the vehicle.
 - 4) Connect connector to rear oxygen sensor.



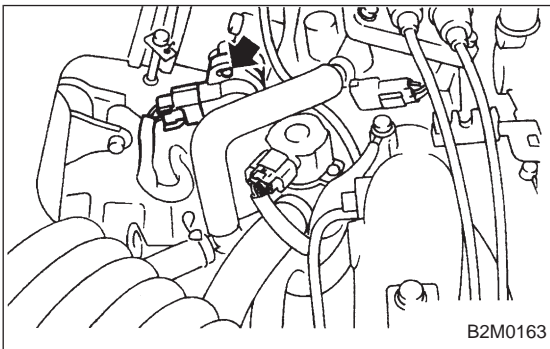
9. Throttle Position Sensor

A: REMOVAL AND INSTALLATION

- 1) Disconnect connector from throttle position sensor.
- 2) Remove throttle position sensor holding screws, and remove it.
- 3) Installation is in the reverse order of removal.

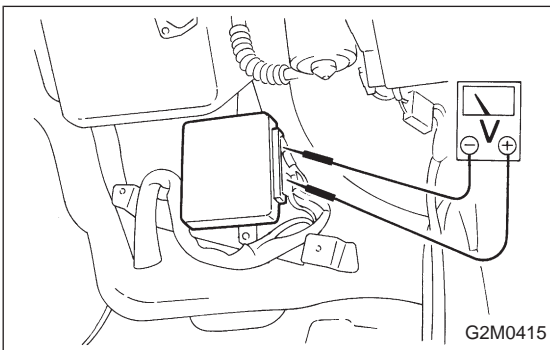
Tightening torque:
 $2.2 \pm 0.2 \text{ N}\cdot\text{m}$ ($0.22 \pm 0.02 \text{ kg}\cdot\text{m}$, $1.6 \pm 0.1 \text{ ft}\cdot\text{lb}$)

CAUTION:
 When installing throttle position sensor, adjust to the specified data.



B: ADJUSTMENT

- 1) Turn ignition switch to OFF.
- 2) Loosen throttle position sensor holding screws.



- 3) When using voltage meter;
 - (1) Take out ECM.
 - (2) Turn ignition switch to ON.
 - (3) Adjust throttle position sensor so that signal voltage to ECM may be in specification.

Connector & Terminal / Specified voltage
(B84) No. 24 — (B84) No. 25 / 0.45 — 0.55 V
[Fully closed.]

- (4) Tighten throttle position sensor holding screws.