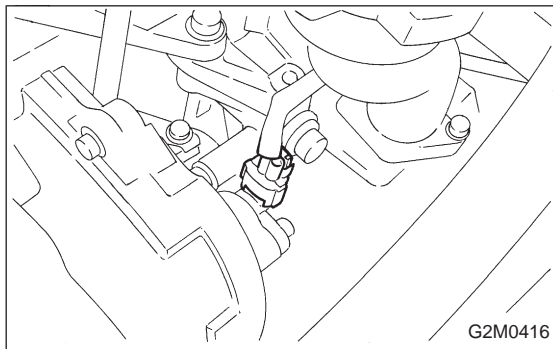


- 4) When using Subaru Select Monitor;
  - (1) Connect Subaru Select Monitor to the data link connector.
  - (2) Turn ignition switch to ON and SSM switch to ON.
  - (3) Select mode "F10".
  - (4) Adjust throttle position sensor to specified data.

**Condition / Specified data.**

**Throttle fully closed / 0.50 V**

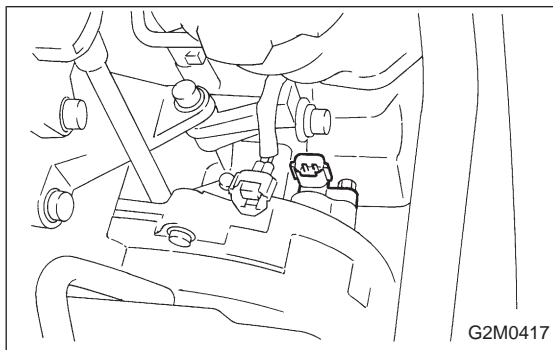
- (5) Tighten throttle position sensor holding screws.



## 10. Camshaft Position Sensor

### A: REMOVAL AND INSTALLATION

- 1) Disconnect connector from camshaft position sensor.

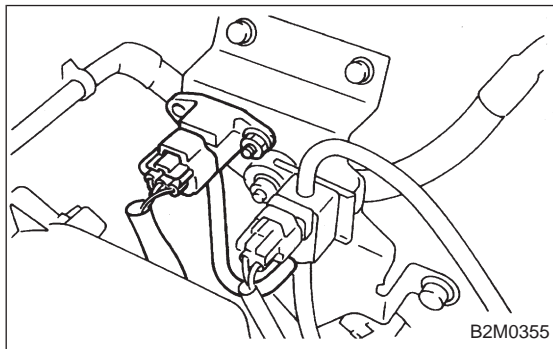


- 2) Remove camshaft position sensor from camshaft support LH.

- 3) Installation is in the reverse order of removal.

**Tightening torque:**

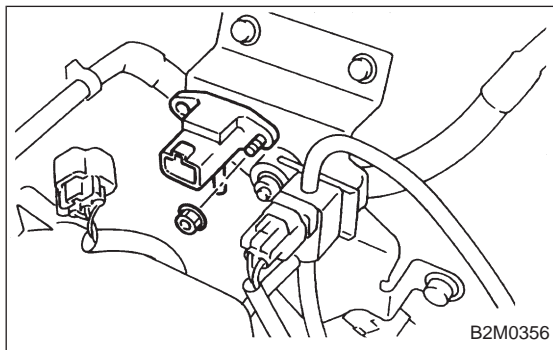
**$6.4 \pm 0.5 \text{ N}\cdot\text{m}$  ( $0.65 \pm 0.05 \text{ kg}\cdot\text{m}$ ,  $4.7 \pm 0.4 \text{ ft}\cdot\text{lb}$ )**



## 11. Pressure Sensor (AT model)

### A: REMOVAL AND INSTALLATION

- 1) Disconnect connector from pressure sensor.
- 2) Disconnect hose from pressure sensor.



- 3) Remove pressure sensor from bracket.

- 4) Installation is in the reverse order of removal.

**Tightening torque:**

**$6.4 \pm 0.5 \text{ N}\cdot\text{m}$  ( $0.65 \pm 0.05 \text{ kg}\cdot\text{m}$ ,  $4.7 \pm 0.4 \text{ ft}\cdot\text{lb}$ )**