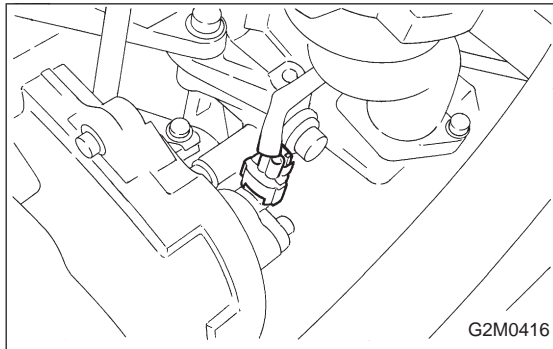


- 4) When using Subaru Select Monitor;
 - (1) Connect Subaru Select Monitor to the data link connector.
 - (2) Turn ignition switch to ON and SSM switch to ON.
 - (3) Select mode "F10".
 - (4) Adjust throttle position sensor to specified data.

Condition / Specified data.

Throttle fully closed / 0.50 V

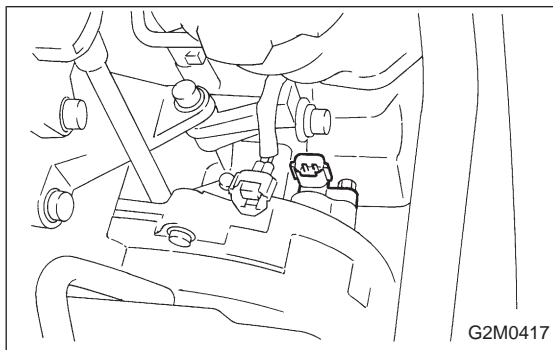
- (5) Tighten throttle position sensor holding screws.



10. Camshaft Position Sensor

A: REMOVAL AND INSTALLATION

- 1) Disconnect connector from camshaft position sensor.

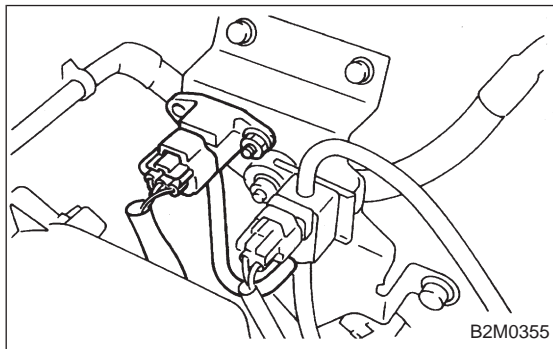


- 2) Remove camshaft position sensor from camshaft support LH.

- 3) Installation is in the reverse order of removal.

Tightening torque:

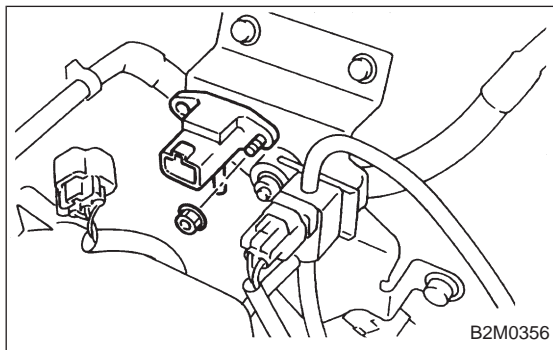
$6.4 \pm 0.5 \text{ N}\cdot\text{m}$ ($0.65 \pm 0.05 \text{ kg}\cdot\text{m}$, $4.7 \pm 0.4 \text{ ft}\cdot\text{lb}$)



11. Pressure Sensor (AT model)

A: REMOVAL AND INSTALLATION

- 1) Disconnect connector from pressure sensor.
- 2) Disconnect hose from pressure sensor.



- 3) Remove pressure sensor from bracket.

- 4) Installation is in the reverse order of removal.

Tightening torque:

$6.4 \pm 0.5 \text{ N}\cdot\text{m}$ ($0.65 \pm 0.05 \text{ kg}\cdot\text{m}$, $4.7 \pm 0.4 \text{ ft}\cdot\text{lb}$)