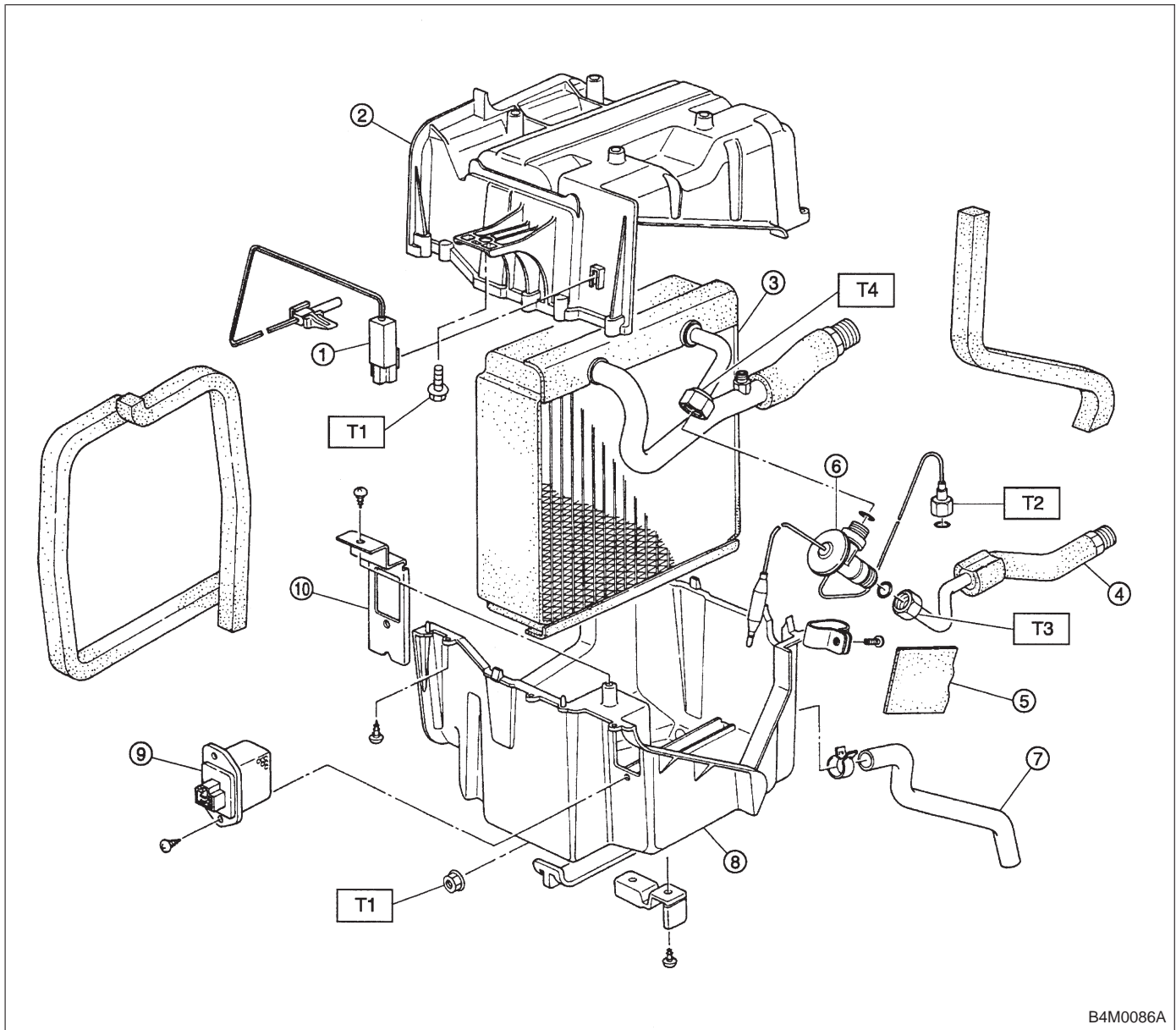


2. Evaporator Unit

1. LHD MODEL



B4M0086A

- ① Thermo control amplifier
- ② Case upper
- ③ Cooling unit
- ④ Pipe
- ⑤ Seat
- ⑥ Expansion valve
- ⑦ Drain hose
- ⑧ Case lower
- ⑨ Resistor
- ⑩ Resistor bracket

**Tightening torque: N·m (kg·m, ft·lb)**

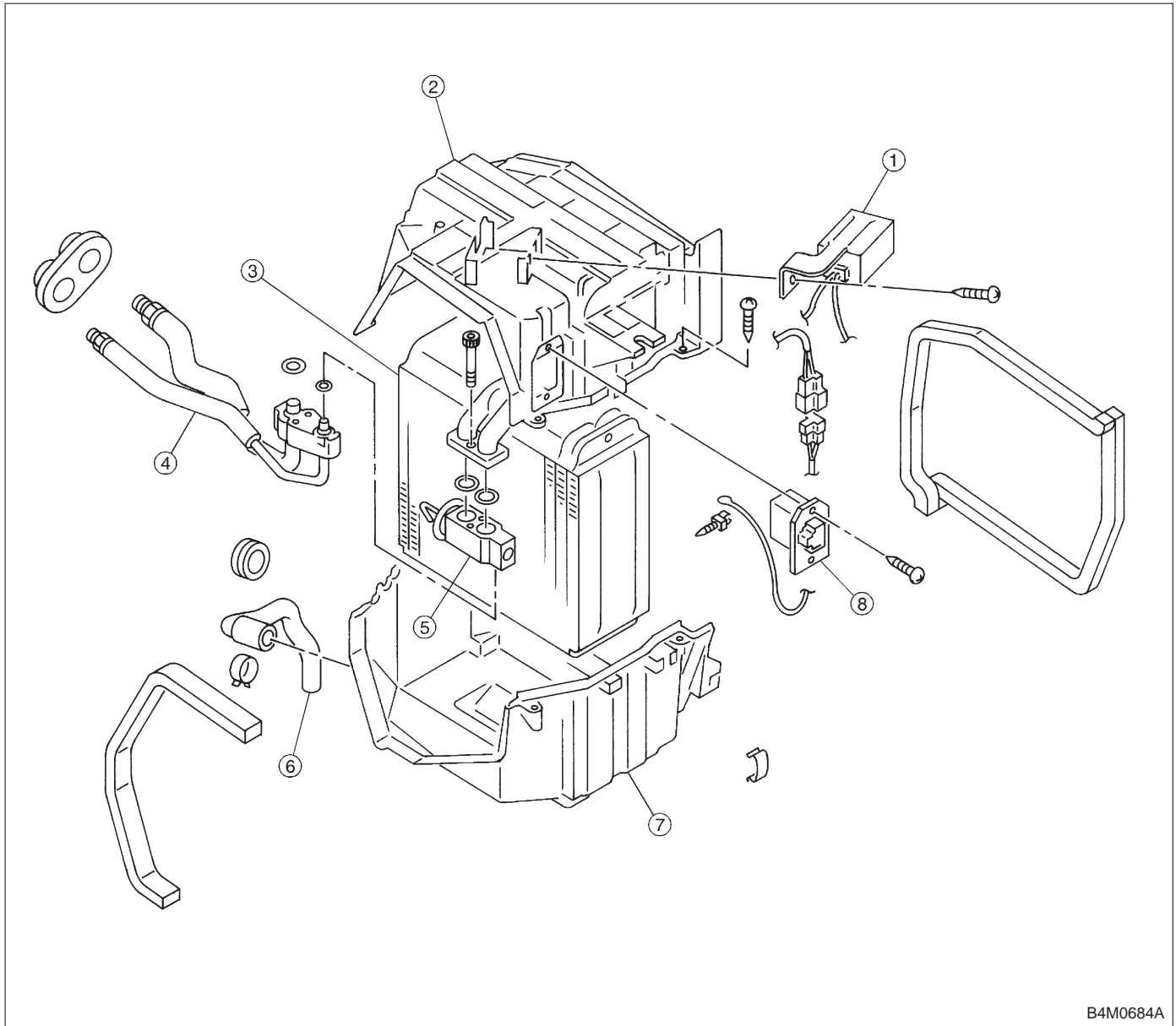
**T1: 7.4±2.0 (0.75±0.2, 5.4±1.4)**

**T2: 10±3 (1.0±0.3, 7.2±2.2)**

**T3: 15±5 (1.5±0.5, 10.8±3.6)**

**T4: 20±5 (2.0±0.5, 14.5±3.6)**

## 2. RHD MODEL



B4M0684A

- ① Thermo control amplifier
- ② Case upper
- ③ Cooling unit
- ④ Pipe
- ⑤ Expansion valve
- ⑥ Drain hose
- ⑦ Case lower
- ⑧ Resistor