

13. Receiver Drier

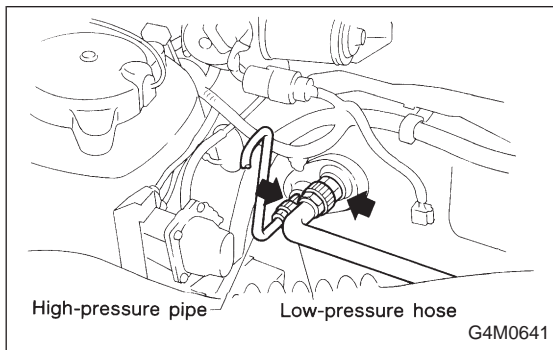
A: REMOVAL AND INSTALLATION

- 1) Disconnect battery negative terminal.
- 2) Discharge refrigerant using refrigerant recovery system. <Ref. to 4-7 [W601].>
- 3) Disconnect pressure switch harness ①.
- 4) Disconnect pipes ②.
- 5) Remove mounting bolt ③ and remove receiver drier.

CAUTION:

The receiver drier contains a desiccant. Be sure to put a blind plug in the detached receiver drier to protect it from moisture.

- 6) Install the receiver drier in the reverse order of removal.
- 7) Charge refrigerant. <Ref. to 4-7 [W708].>

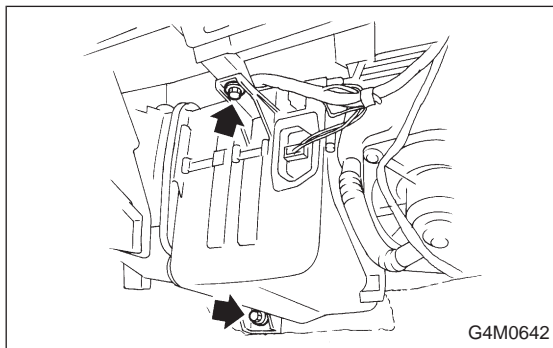
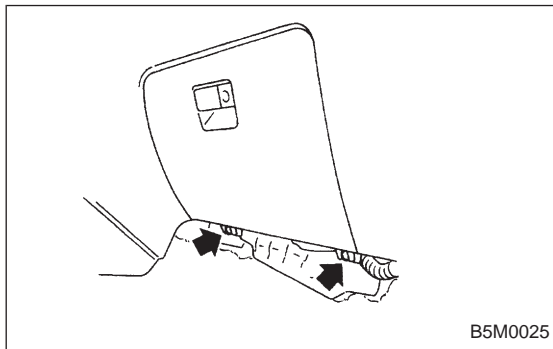


14. Evaporator Unit

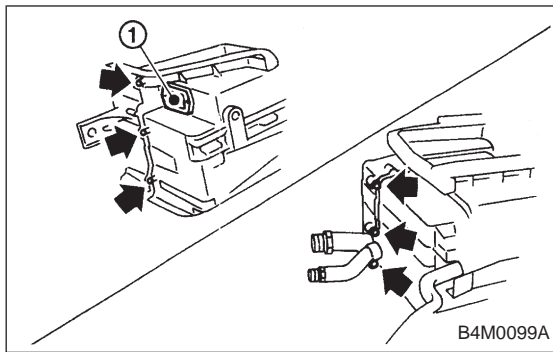
A: REMOVAL AND INSTALLATION

- 1) Disconnect battery negative terminal.
- 2) Discharge refrigerant using refrigerant recovery system. <Ref. to 4-7 [W601].>
- 3) Disconnect discharge pipe, suction pipe and grommets.

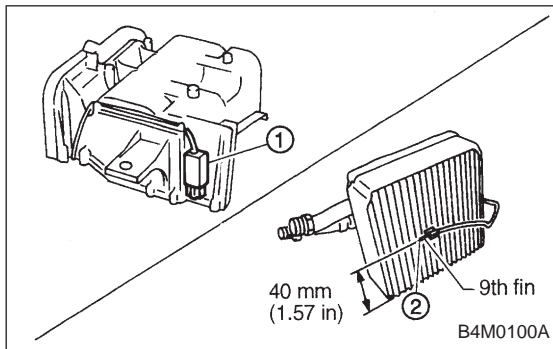
- 4) Remove glove box and pocket back panel. <Ref. to 5-4 [W1A0].>



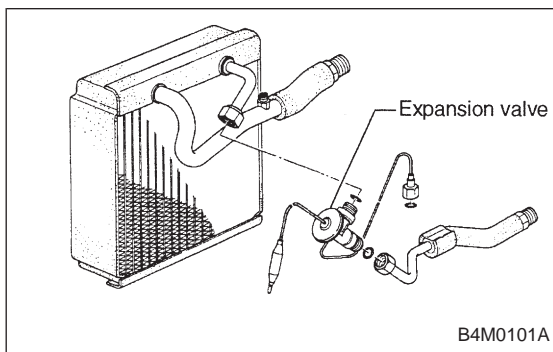
- 5) Disconnect the harness connector from evaporator.
- 6) Disconnect drain hose.
- 7) Remove evaporator mounting bolt and nut.
- 8) Install the evaporator in the reverse order of removal.
- 9) Charge refrigerant. <Ref. to 4-7 [W708].>

**B: DISASSEMBLY AND ASSEMBLY**

1) Remove resistor assembly ① and remove six screws from evaporator case.



2) Remove thermostat ① from upper case. (Thermistor ② is inserted into specified evaporator fin position.) When installing thermostat, be sure to insert thermistor into specified fin position.



3) Disconnect the connection between the expansion valve and pipe from receiver drier.

4) Remove the expansion valve from pipes.

5) To install expansion valve, reverse removal procedures. Properly wrap capillary tube of expansion valve with seal.

6) Check to see if the evaporator fins are clogged. If they are, clean them with compressed air.

CAUTION:

Water must never be used to clean the evaporator.

7) Check parts that have been removed for cracks or scratches, and repair or replace them with new ones, if necessary.

8) Reassemble the evaporator in the reverse order of disassembly.

NOTE:

Confirm that the O-ring is inserted in the specified position.