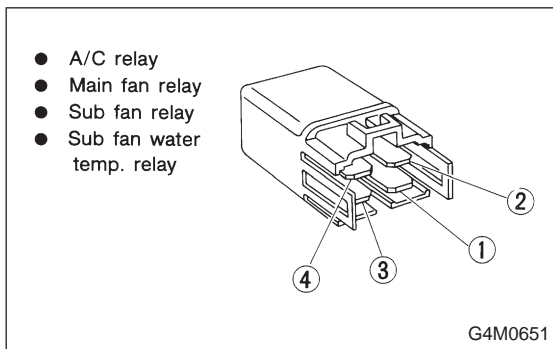


17. Relay and Fuse

A: LOCATION

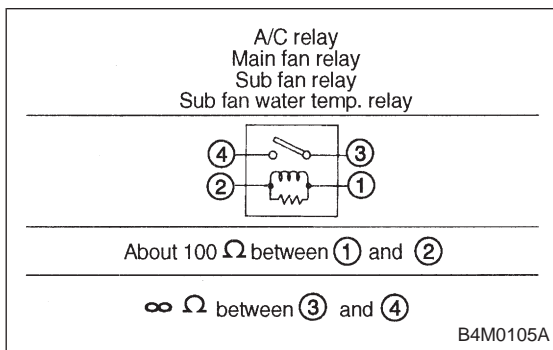
Relays used with A/C system are located as shown in figure.

- 1) A/C relay
- 2) Main fan (radiator fan) relay
- 3) Sub fan (condenser fan) relay
- 4) Sub fan (condenser fan) water temperature relay
- 5) Fuses (10 A and 20 A)



B: INSPECTION

1) Check conduction with a circuit tester (ohm range) according to the following table in figure.



2) Replace relays which do not meet specifications.