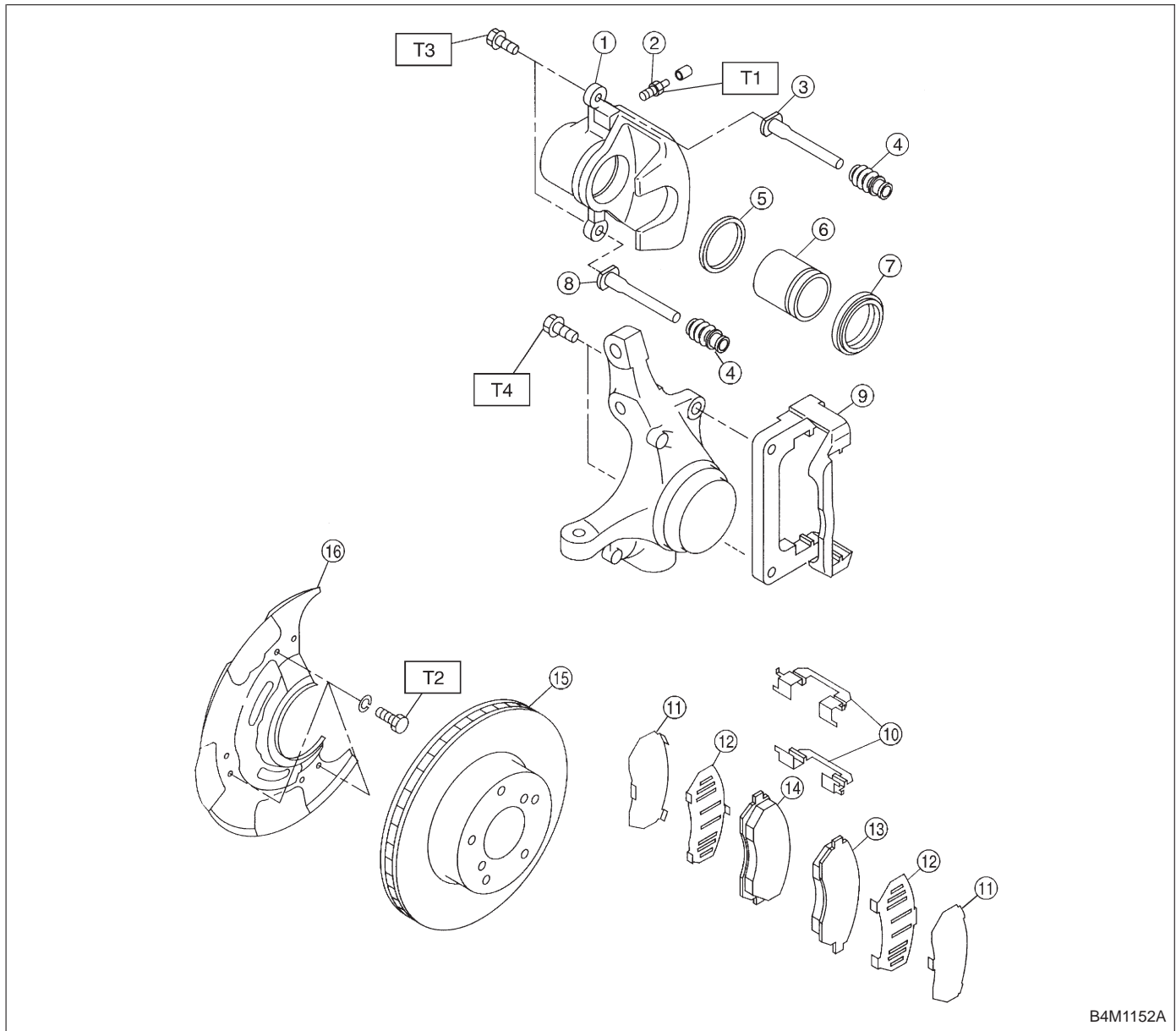


1. Front Disc Brake

1. EXCEPT 2500 cc MODEL



B4M1152A

- ① Caliper body
- ② Air bleeder screw
- ③ Guide pin (Green)
- ④ Pin boot
- ⑤ Piston seal
- ⑥ Piston
- ⑦ Piston boot
- ⑧ Lock pin (Yellow)

- ⑨ Support
- ⑩ Pad clip
- ⑪ Outer shim
- ⑫ Inner shim
- ⑬ Pad (Outside)
- ⑭ Pad (Inside)
- ⑮ Disc rotor
- ⑯ Disc cover

Tightening torque: N·m (kg·m, ft·lb)

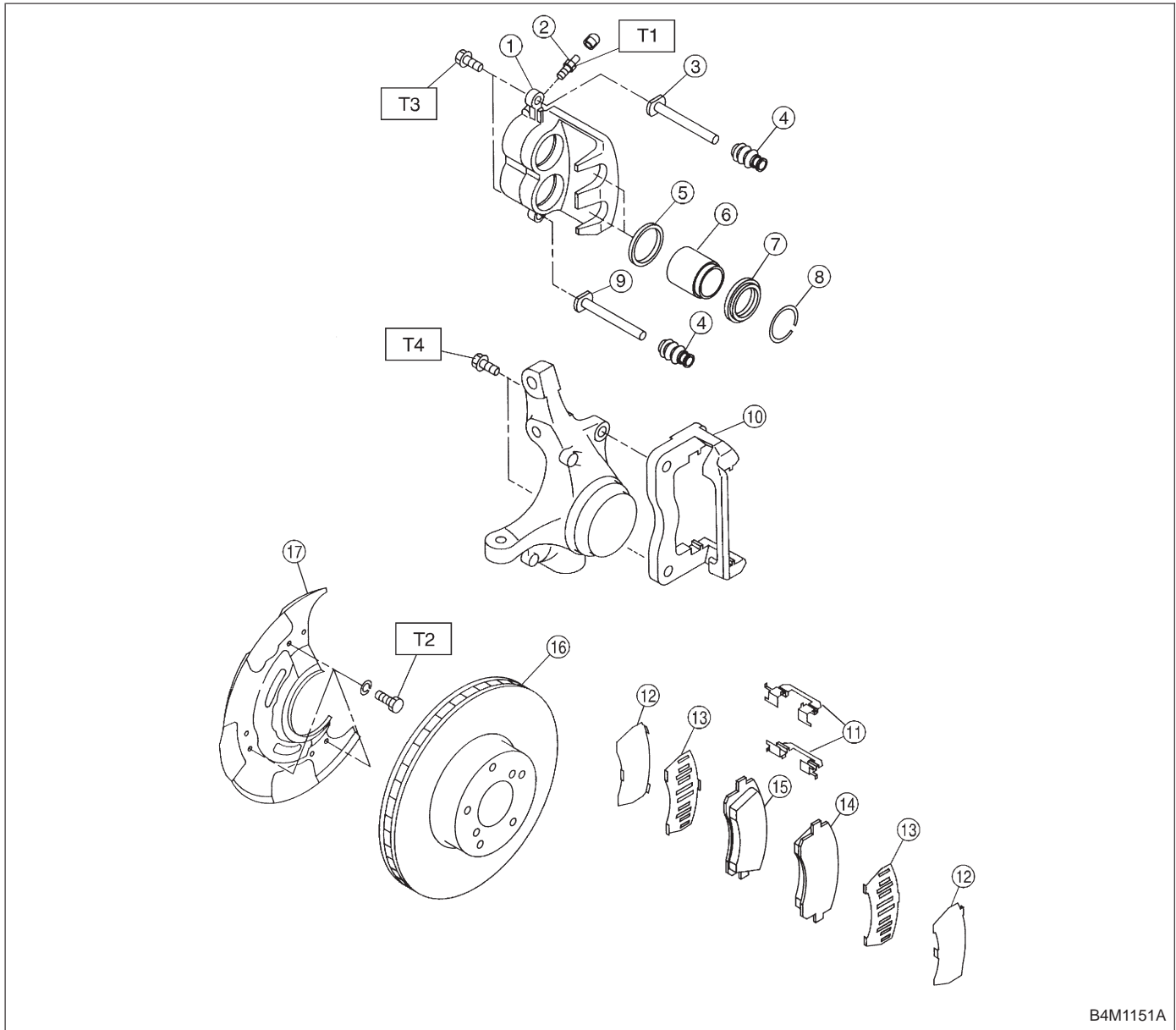
T1: 8±1 (0.8±0.1, 5.8±0.7)

T2: 18±5 (1.8±0.5, 13.0±3.6)

T3: 37±5 (3.8±0.5, 27.5±3.6)

T4: 78±10 (8.0±1.0, 58±7)

2. 2500 cc MODEL



B4M1151A

- ① Caliper body
- ② Air bleeder screw
- ③ Guide pin (Green)
- ④ Pin boot
- ⑤ Piston seal
- ⑥ Piston
- ⑦ Piston boot
- ⑧ Boot ring
- ⑨ Lock pin (Yellow)

- ⑩ Support
- ⑪ Pad clip
- ⑫ Outer shim
- ⑬ Inner shim
- ⑭ Pad (Outside)
- ⑮ Pad (Inside)
- ⑯ Disc rotor
- ⑰ Disc cover

Tightening torque: N·m (kg·m, ft·lb)

T1: 8±1 (0.8±0.1, 5.8±0.7)

T2: 18±5 (1.8±0.5, 13.0±3.6)

T3: 37±5 (3.8±0.5, 27.5±3.6)

T4: 78±10 (8.0±1.0, 58±7)