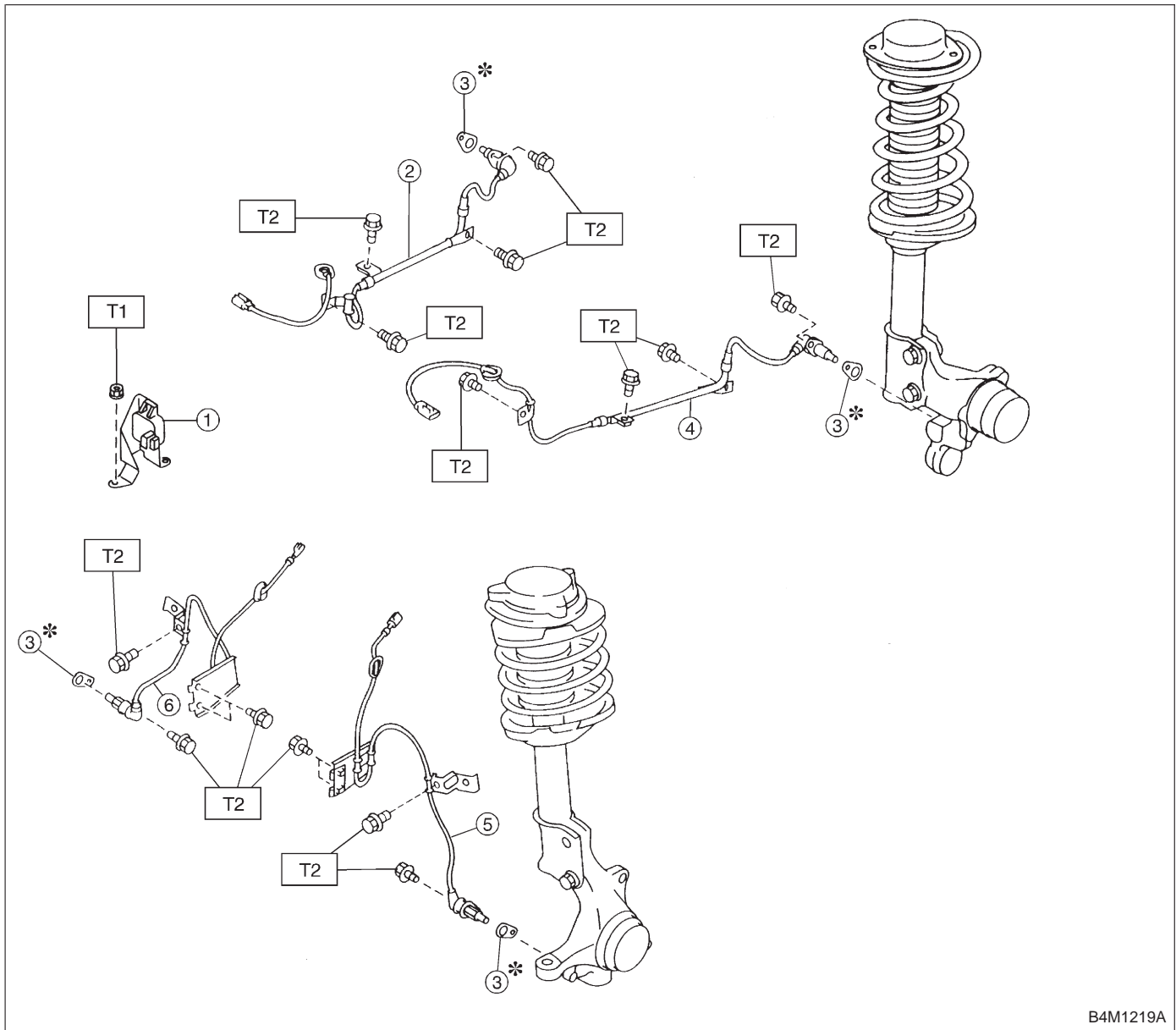


10. ABS System (ABS 5.3i Type)

1. SENSOR

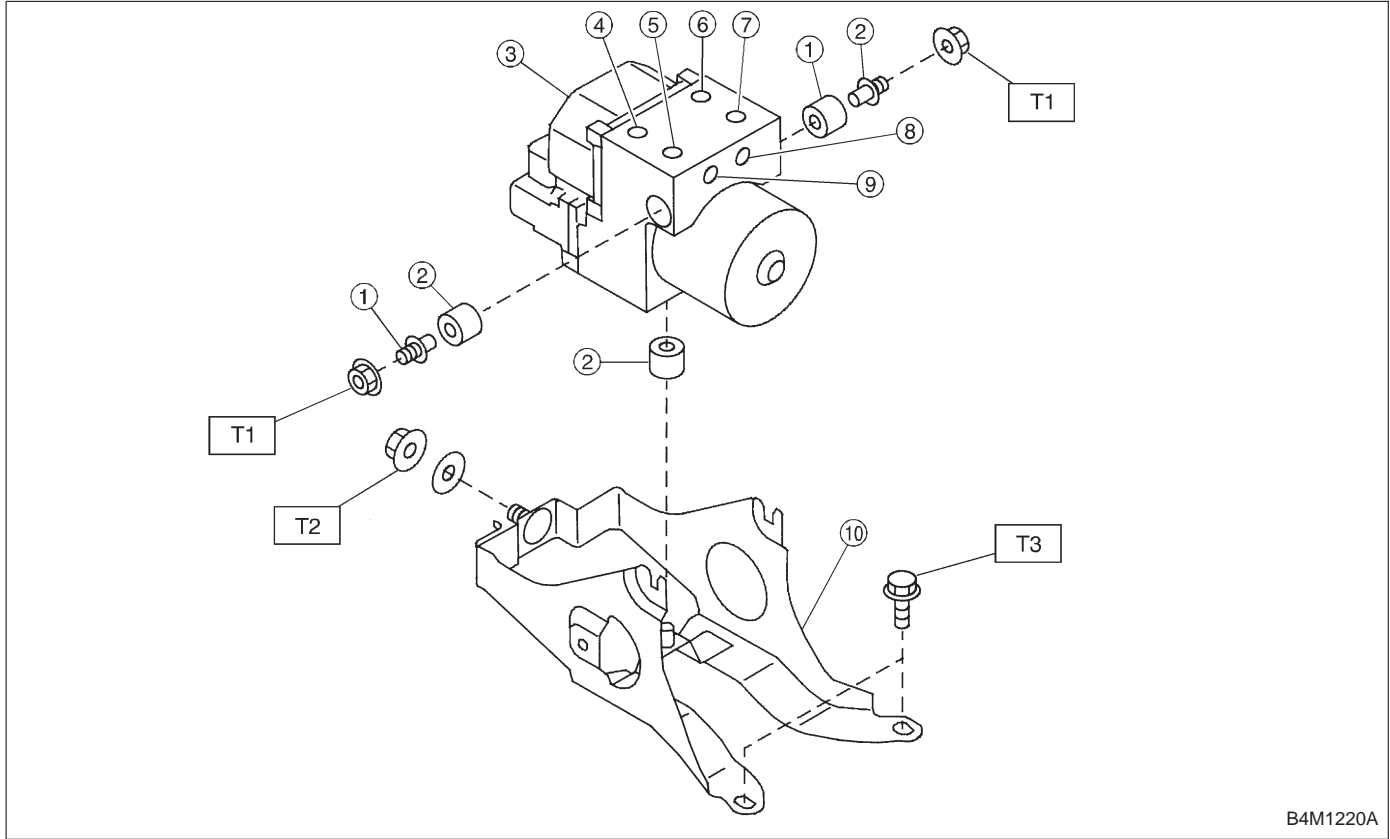


B4M1219A

- ① G sensor (AWD only)
- ② Rear ABS sensor RH
- ③ ABS spacer
- ④ Rear ABS sensor LH
- ⑤ Front ABS sensor LH
- ⑥ Front ABS sensor RH

Tightening torque: N·m (kg·m, ft·lb)
T1: 7.4±2.0 (0.75±0.2, 5.4±1.4)
T2: 32±10 (3.3±1.0, 24±7)

2. ABS CONTROL MODULE AND HYDRAULIC CONTROL UNIT (ABSCM&H/U)



- ① Stud bolt
- ② Damper
- ③ ABS control module and hydraulic control unit
- ④ Front-LH outlet
- ⑤ Secondary inlet

- ⑥ Front-RH outlet
- ⑦ Primary inlet
- ⑧ Rear-LH outlet
- ⑨ Rear-RH outlet
- ⑩ Bracket

Tightening torque: N·m (kg·m, ft·lb)

T1: 18±5 (1.8±0.5, 13.0±3.6)

T2: 29±7 (3.0±0.7, 21.7±5.1)

T3: 32±10 (3.3±1.0, 24±7)