

**B: INSPECTION**

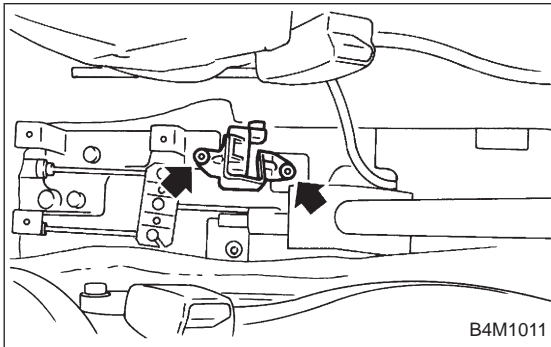
Check that connector is connected correctly and that connector terminal sliding resistance is correct.

**C: INSTALLATION**

To install, reverse the removal procedure.

**17. G Sensor for ABS System (ABS 5.3 Type)****A: REMOVAL AND INSTALLATION**

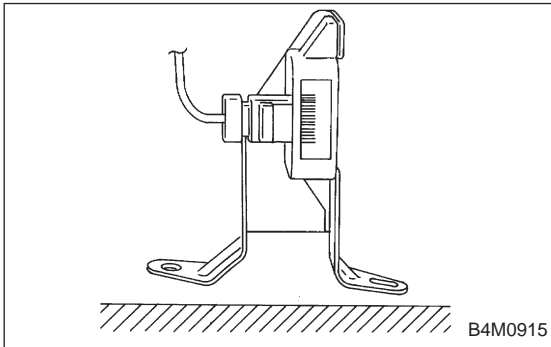
- 1) Turn ignition switch to OFF.
- 2) Remove console box. <Ref. to 5-4 [W1A0].>
- 3) Disconnect connector from G sensor.



- 4) Remove G sensor from body.
- 5) To install, reverse the removal procedure.

**CAUTION:**

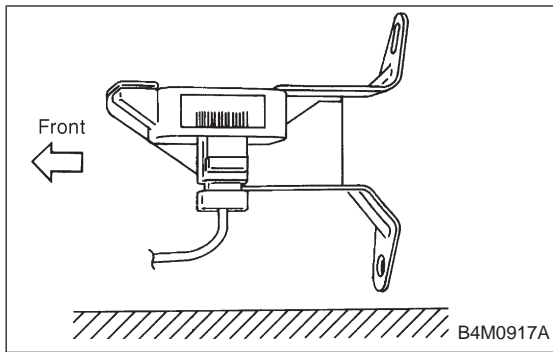
**Do not drop or bump G sensor.**

**B: INSPECTION****1. USING CIRCUIT TESTER**

- 1) Turn ignition switch to OFF.
- 2) Remove G sensor from vehicle.
- 3) Connect connector to G sensor.
- 4) Turn ignition switch to ON.
- 5) Measure voltage between G sensor connector terminals.

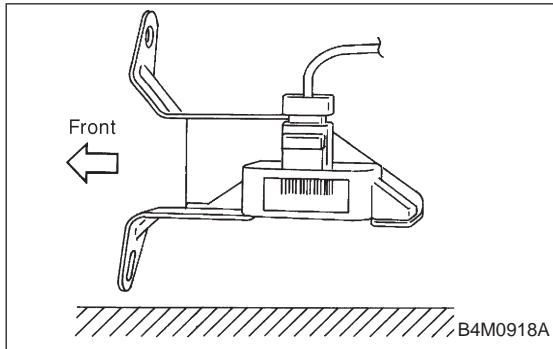
**CHECK** : **Connector & terminal (P9) No. 2 (+) — No. 1 (-)**  
**Is voltage  $2.3 \pm 0.2$  V when G sensor is horizontal?**

- YES** : Go to next **CHECK** .  
**NO** : Replace G sensor.



**CHECK** : **Connector & terminal (P9) No. 2 (+) — No. 1 (-)**  
**Is voltage  $3.9\pm 0.2$  V when G sensor is inclined forwards to  $90^\circ$ ?**

**YES** : Go to next **CHECK** .  
**NO** : Replace G sensor.

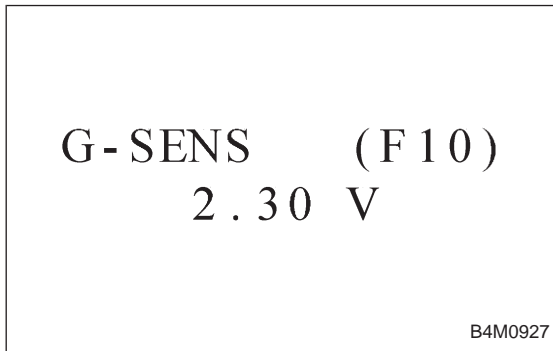


**CHECK** : **Connector & terminal (P9) No. 2 (+) — No. 1 (-)**  
**Is voltage  $0.7\pm 0.2$  V when G sensor is inclined backwards to  $90^\circ$ ?**

**YES** : G sensor is normal.  
**NO** : Replace G sensor.

**2. USING SELECT MONITOR**

- 1) Turn ignition switch to OFF.
- 2) Connect select monitor connector to data link connector.
- 3) Turn select monitor into ABS mode.

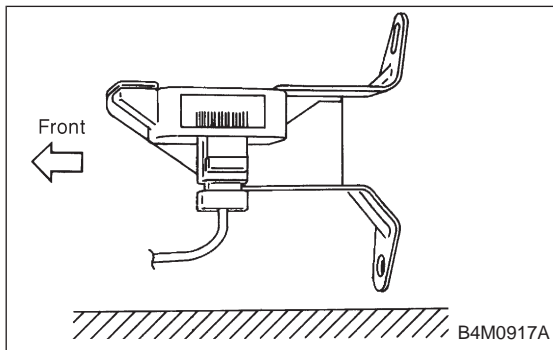


- 4) Press **[F]**, **[1]** and **[0]** on the select monitor.
- 5) Rear the select monitor display.

**CHECK** : **Is the indicated reading  $2.3\pm 0.2$  V when the vehicle is in horizontal position?**

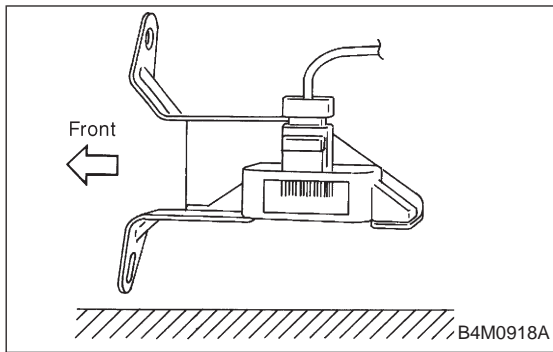
**YES** : Go to next step 6).  
**NO** : Replace G sensor.

- 6) Remove console box.
- 7) Remove G sensor from vehicle. (Do not disconnect connector.)



8) Read the select monitor display.  
**CHECK** : **Is the indicated reading  $3.9\pm 0.2$  V when G sensor is inclined forwards to  $90^\circ$ ?**

**YES** : Go to next **CHECK** .  
**NO** : Replace G sensor.



- CHECK** : *Is the indicated reading  $0.7 \pm 0.2$  V when G sensor is inclined backwards to  $90^\circ$ ?*
- YES** : G sensor is normal.
- NO** : Replace G sensor.