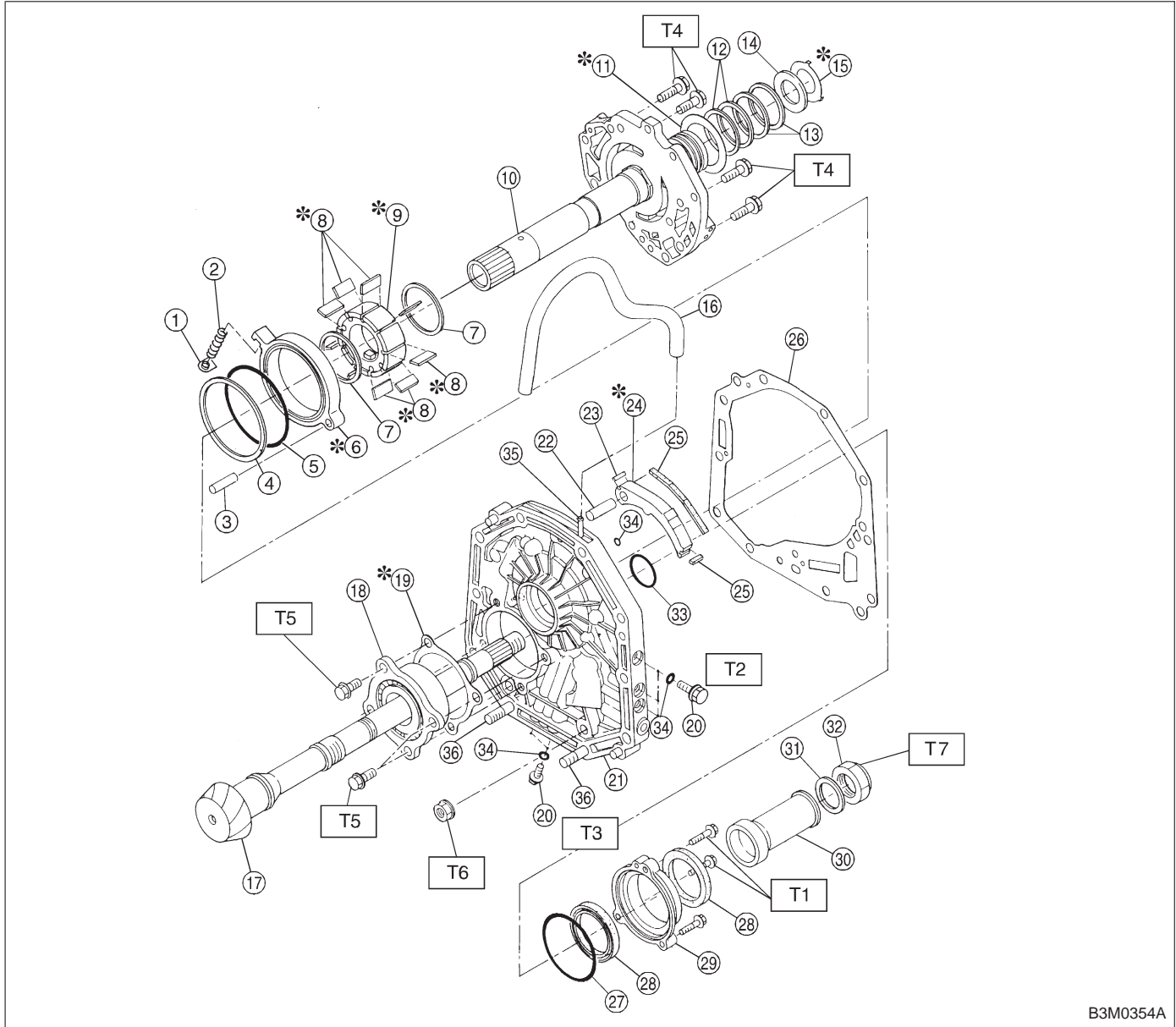


3. Oil Pump



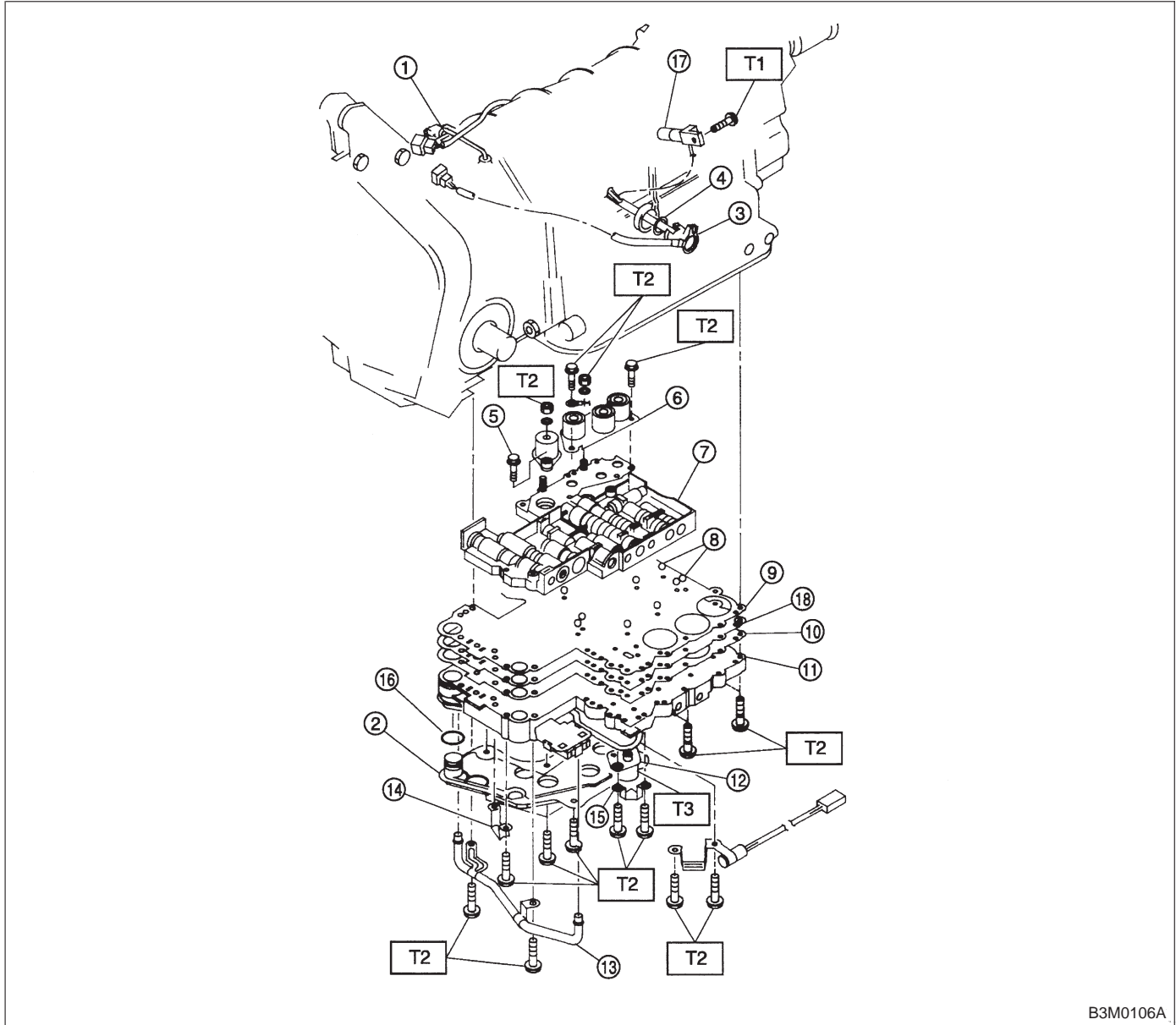
B3M0354A

- | | | |
|-----------------|-------------------------|-----------------------|
| ① Retainer | ⑩ Oil pump cover | ⑳ Test plug |
| ② Return spring | ⑪ Thrust washer | ㉑ Oil pump housing |
| ③ Pin | ⑫ Seal ring (R) | ㉒ Pin |
| ④ Friction ring | ⑬ Seal ring (H) | ㉓ Side seal |
| ⑤ O-ring | ⑭ Thrust needle bearing | ㉔ Control piston |
| ⑥ Cam ring | ⑮ Thrust washer | ㉕ Plane seal |
| ⑦ Vane ring | | ㉖ Gasket |
| ⑧ Vane | | ㉗ O-ring |
| ⑨ Rotor | | ㉘ Oil seal |
| | | ㉙ Oil seal retainer |
| | | ㉚ Drive pinion collar |
| | | ㉛ Lock washer |
| | | ㉜ Lock nut |
| | | ㉝ O-ring |
| | | ㉞ O-ring |
| | | ㉟ Nipple |
| | | ㊱ Stud bolt |

Tightening torque: N·m (kg·m, ft·lb)

- T1: 7±1 (0.7±0.1, 5.1±0.7)**
T2: 13±1 (1.3±0.1, 9.4±0.7)
T3: 18±5 (1.8±0.5, 13.0±3.6)
T4: 25±2 (2.5±0.2, 18.1±1.4)
T5: 39±3 (4.0±0.3, 28.9±2.2)
T6: 41±3 (4.2±0.3, 30.4±2.2)
T7: 113±5 (11.5±0.5, 83.2±3.6)

4. Control Valve and Harness Routing



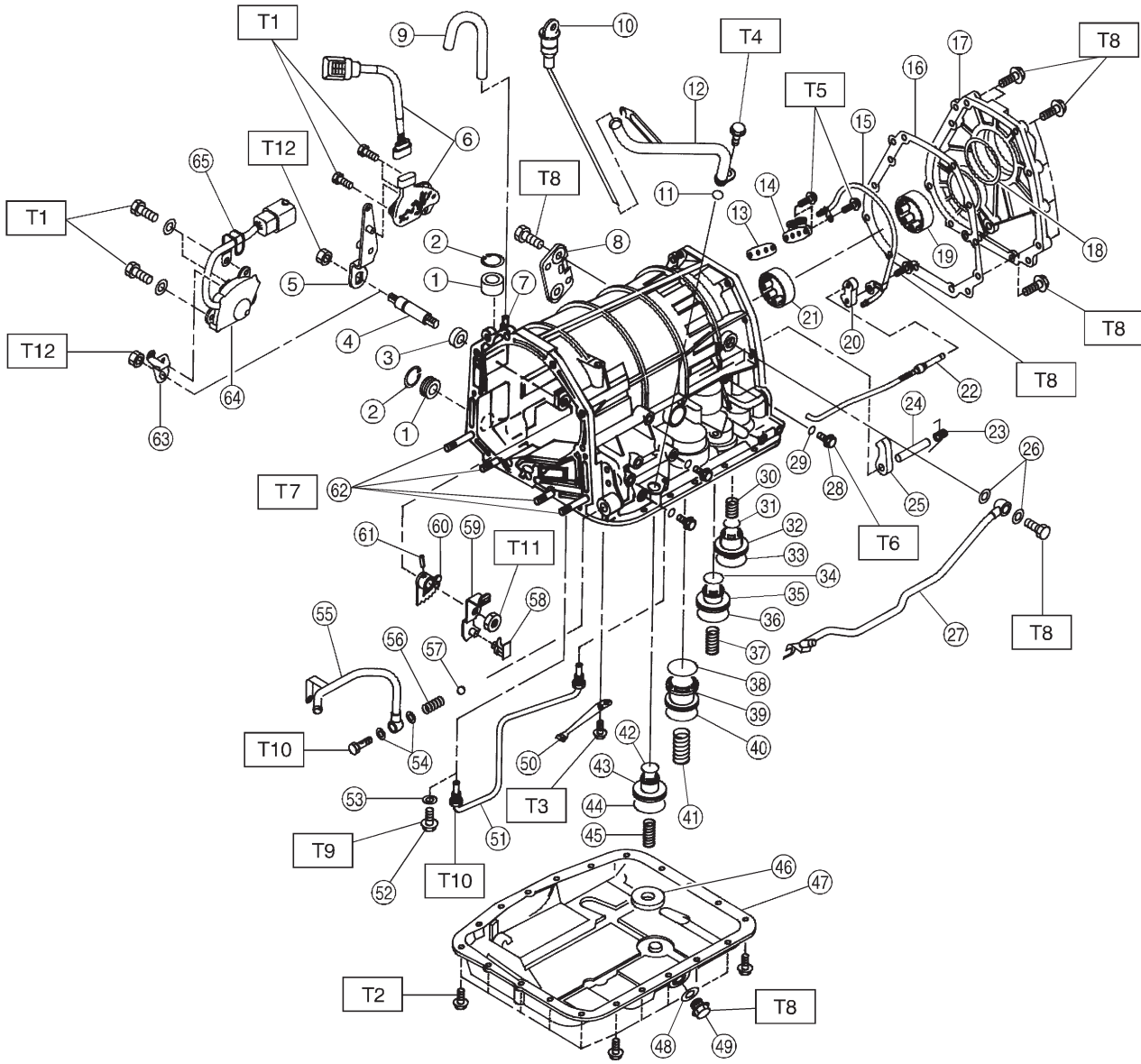
B3M0106A

- ① Stay
- ② Oil strainer
- ③ Transmission harness
- ④ O-ring
- ⑤ Duty sol. A (Line pressure)
- ⑥ Sol. ASSY
- ⑦ Upper valve body
- ⑧ Ball
- ⑨ Upper separator gasket
- ⑩ Lower separator gasket
- ⑪ Lower valve body
- ⑫ Duty sol. B (Lock-up)

- ⑬ Pipe
- ⑭ Bracket
- ⑮ Bracket
- ⑯ O-ring
- ⑰ Vehicle speed sensor 1 (FWD only)
- ⑱ Separator plate

Tightening torque: N·m (kg·m, ft·lb)
T1: 7±1 (0.7±0.1, 5.1±0.7)
T2: 8±1 (0.8±0.1, 5.8±0.7)
T3: 11.3±1.5 (1.15±0.15, 8.3±1.1)

5. Transmission Case, Transmission Cover and Control Device



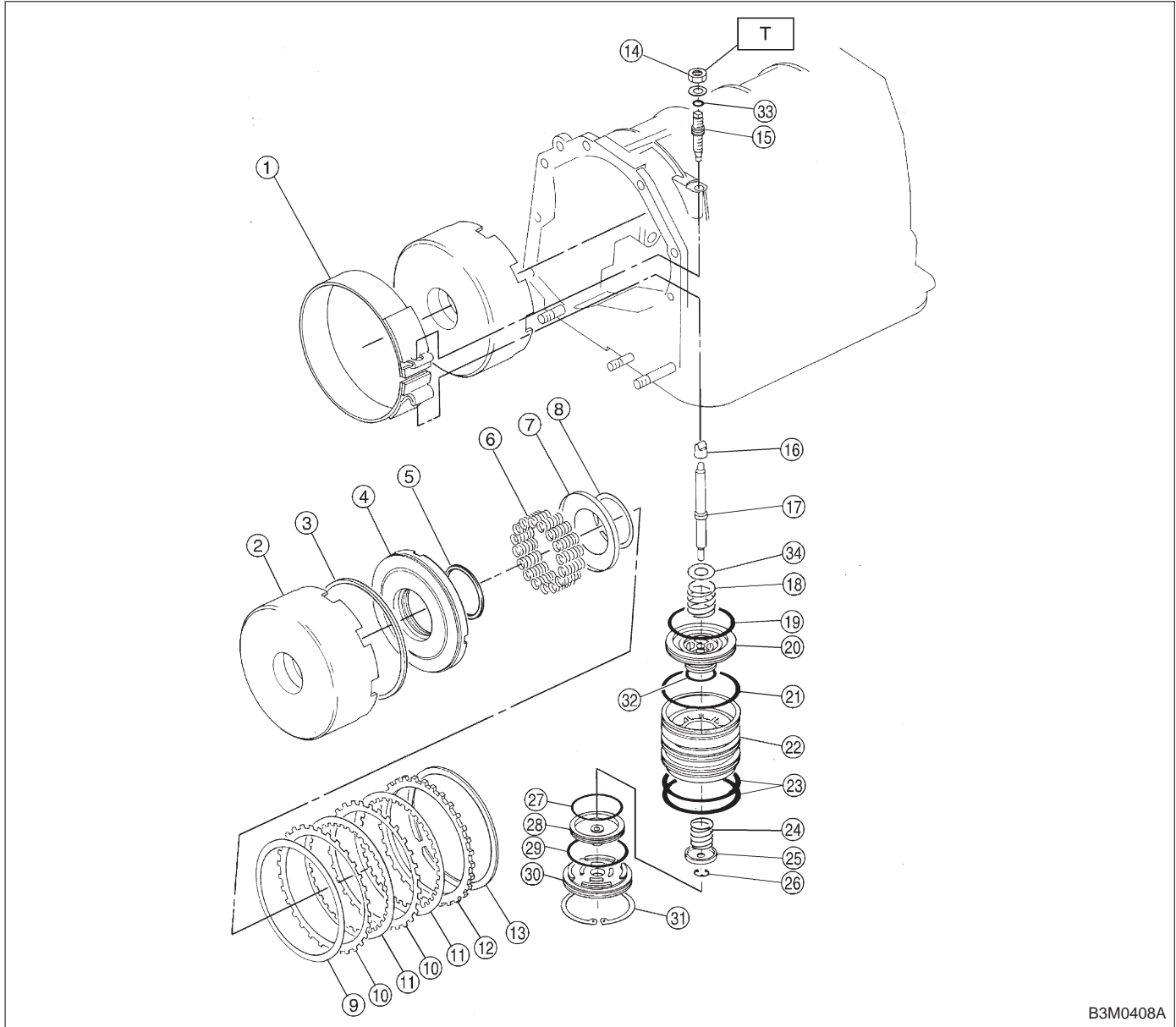
- ① Plug
- ② Snap ring
- ③ Oil seal
- ④ Manual shaft
- ⑤ Range select lever (Plastic body type)
- ⑥ Inhibitor switch ASSY (Plastic body type)
- ⑦ Nipple
- ⑧ Plate ASSY
- ⑨ Air breather hose
- ⑩ Oil level gauge
- ⑪ O-ring
- ⑫ Oil charger pipe
- ⑬ Gasket
- ⑭ Relief valve
- ⑮ Pipe
- ⑯ Gasket
- ⑰ Transmission cover (FWD model)
- ⑱ Shim
- ⑲ Roller bearing
- ⑳ Parking support
- ㉑ Ball bearing
- ㉒ Parking rod
- ㉓ Return spring
- ㉔ Shaft
- ㉕ Parking pawl
- ㉖ Gasket
- ㉗ Inlet pipe
- ㉘ Test plug
- ㉙ O-ring
- ㉚ Spring
- ㉛ O-ring
- ㉜ Accumulator piston (N-D)
- ㉝ O-ring
- ㉞ O-ring
- ㉟ Accumulator piston (2-3)
- ㊱ O-ring
- ㊲ Spring
- ㊳ O-ring
- ㊴ Accumulator piston (1-2)
- ㊵ O-ring

- ㊶ Spring
- ㊷ O-ring
- ㊸ Accumulator piston (3-4)
- ㊹ O-ring
- ㊺ Spring
- ㊻ Magnet
- ㊼ Oil pan
- ㊽ Gasket
- ㊾ Drain plug
- ㊿ Detention spring
- ① Pipe (AWD model)
- ② Plug (FWD model)
- ③ Gasket (FWD model)
- ④ Gasket
- ⑤ Outlet pipe
- ⑥ Spring
- ⑦ Ball
- ⑧ Stopper
- ⑨ Manual lever
- ⑩ Manual plate
- ⑪ Spring pin
- ⑫ Stud bolt
- ⑬ Range select lever (Aluminum body type)
- ⑭ Inhibitor switch (Aluminum body type)
- ⑮ Clip (Aluminum body type)

Tightening torque: N·m (kg·m, ft·lb)

- T1: 3.4±0.5 (0.35±0.05, 2.5±0.4)**
 - T2: 4.9±0.5 (0.50±0.05, 3.6±0.4)**
 - T3: 5.9±1.0 (0.60±0.10, 4.3±0.7)**
 - T4: 6.4±0.5 (0.65±0.05, 4.7±0.4)**
 - T5: 7.8±1.0 (0.80±0.10, 5.8±0.7)**
 - T6: 12.7±1.0 (1.30±0.10, 9.4±0.7)**
 - T7: 17.7±2.9 (1.80±0.30, 13.0±2.2)**
 - T8: 24.5±2.0 (2.50±0.20, 18.1±1.4)**
 - T9: 30.9±3.4 (3.15±0.35, 22.8±2.5)**
 - T10: 34.3±2.9 (3.50±0.30, 25.3±2.2)**
 - T11: 47.1±2.0 (4.80±0.20, 34.7±1.4)**
 - T12: 47.1±4.9 (4.80±0.50, 34.7±3.6)**
-

6. Reverse Clutch and Band Brake

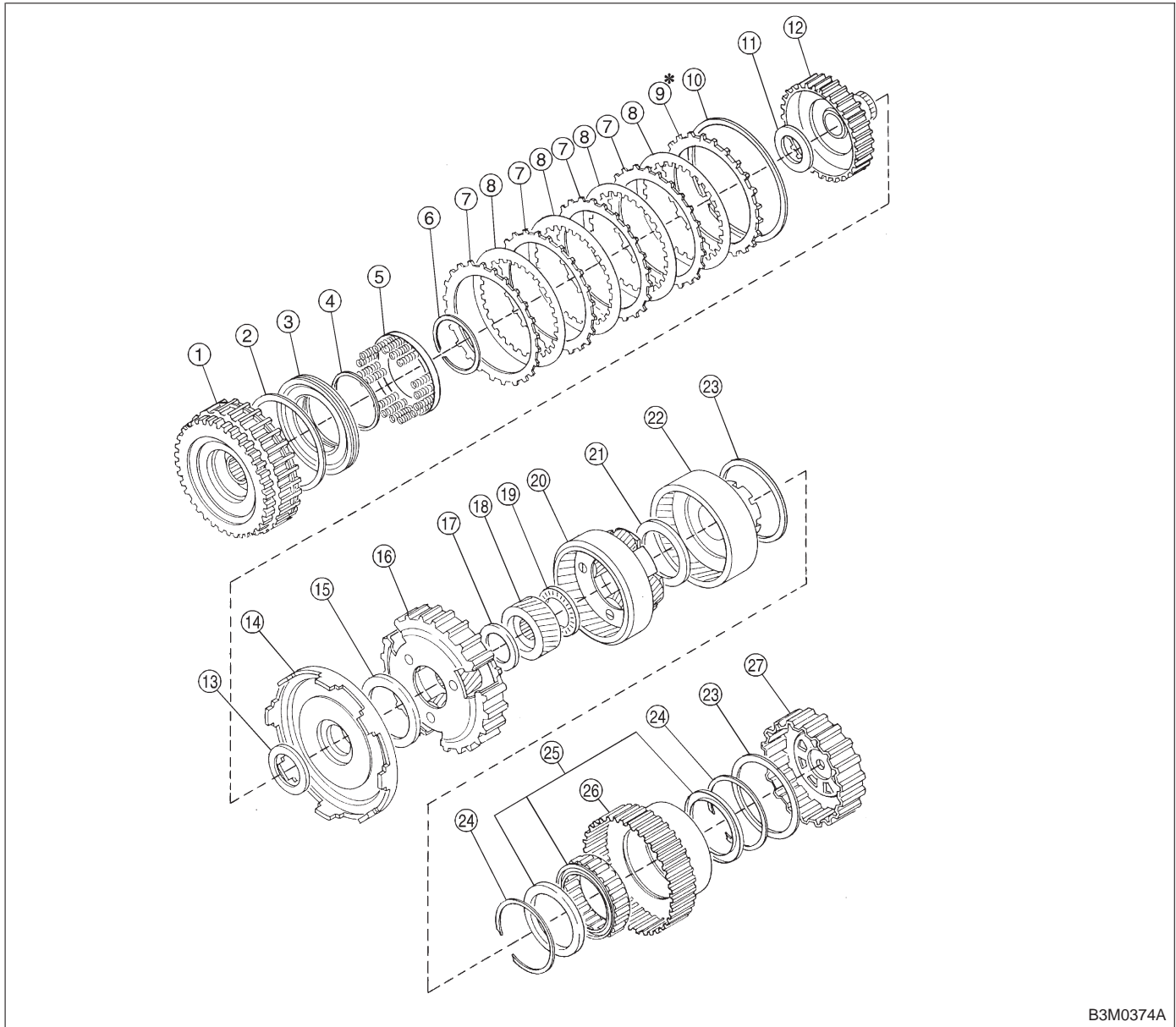


B3M0408A

- | | | |
|-----------------------|------------------------------|---------------------------|
| ① Brake band | ⑭ Lock nut | ⑳ Lathe cut seal ring |
| ② Reverse clutch drum | ⑮ Brake band adjusting screw | ㉑ Band servo piston (3-4) |
| ③ Lip seal | ⑯ Strut | ㉒ O-ring |
| ④ Piston | ⑰ Band servo piston stem | ㉓ O.D. servo retainer |
| ⑤ Lathe cut seal ring | ⑱ Spring | ㉔ Snap ring |
| ⑥ Spring | ⑲ Lathe cut seal ring | ㉕ Lathe cut seal ring |
| ⑦ Spring retainer | ㉚ Band servo piston (1-2) | ㉖ O-ring |
| ⑧ Snap ring | ㉛ O-ring | ㉗ Washer |
| ⑨ Dish plate | ㉜ Retainer | |
| ⑩ Driven plate | ㉝ O-ring | |
| ⑪ Drive plate | ㉞ Spring | |
| ⑫ Retaining plate | ㉟ Retainer | |
| ⑬ Snap ring | ㊱ Circlip | |

Tightening torque: N-m (kg-m, ft-lb)
T: 26±2 (2.7±0.2, 19.5±1.4)

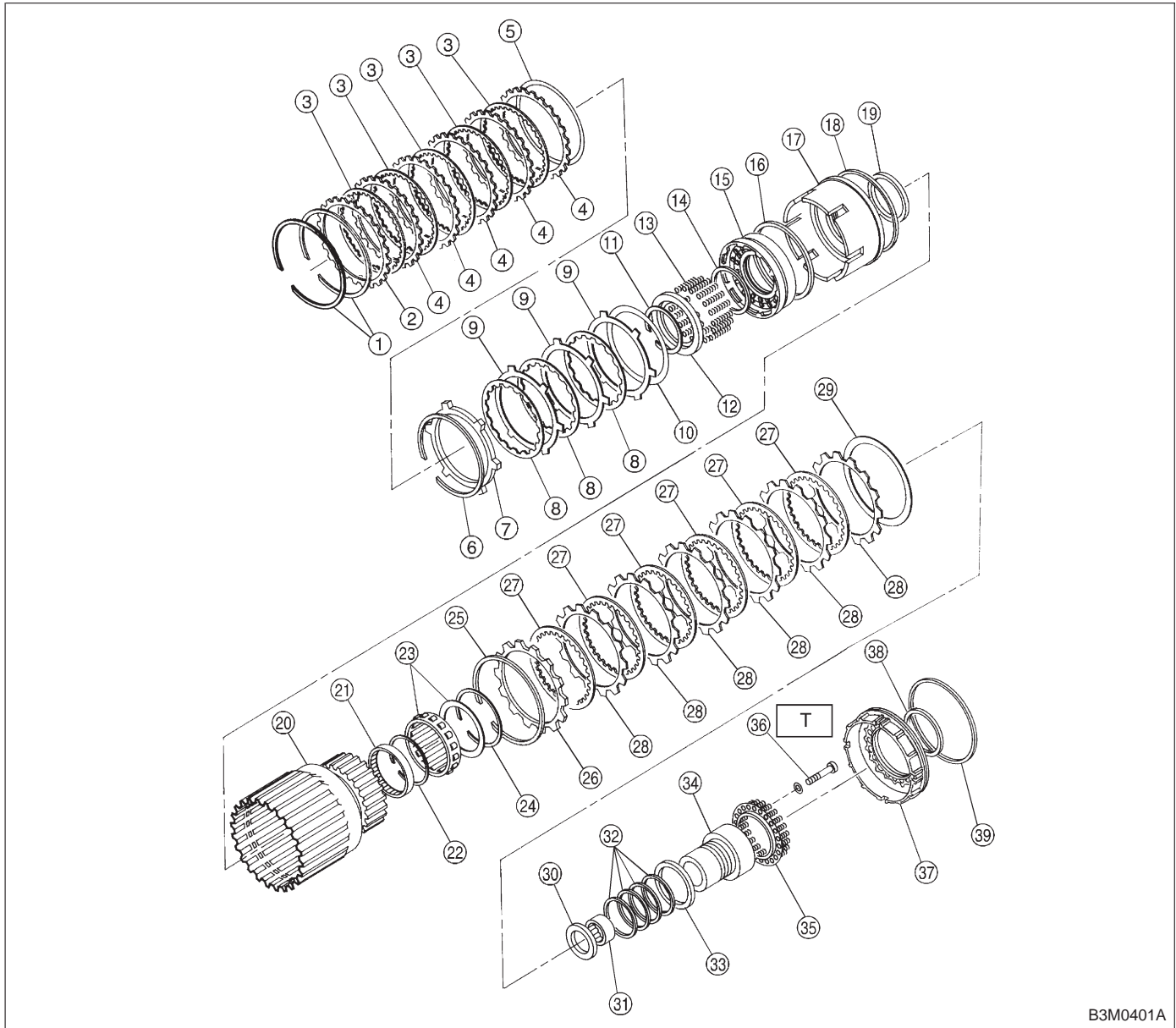
7. High Clutch and Planetary Gear



B3M0374A

- | | |
|-------------------------|-----------------------------------|
| ① High clutch drum | ⑮ Thrust needle bearing |
| ② Lathe cut seal ring | ⑯ Front planetary carrier |
| ③ Piston | ⑰ Thrust needle bearing |
| ④ Lathe cut seal ring | ⑱ Rear sun gear |
| ⑤ Spring retainer | ⑲ Thrust needle bearing |
| ⑥ Snap ring | ⑳ Rear planetary carrier |
| ⑦ Driven plate | ㉑ Thrust needle bearing |
| ⑧ Drive plate | ㉒ Rear internal gear |
| ⑨ Retaining plate | ㉓ Thrust washer |
| ⑩ Snap ring | ㉔ Snap ring |
| ⑪ Thrust needle bearing | ㉕ One-way clutch (3-4) |
| ⑫ High clutch hub | ㉖ One-way clutch outer race (3-4) |
| ⑬ Thrust needle bearing | ㉗ Overrunning clutch hub |
| ⑭ Front sun gear | |

8. Forward Clutch and Low & Reverse Brake

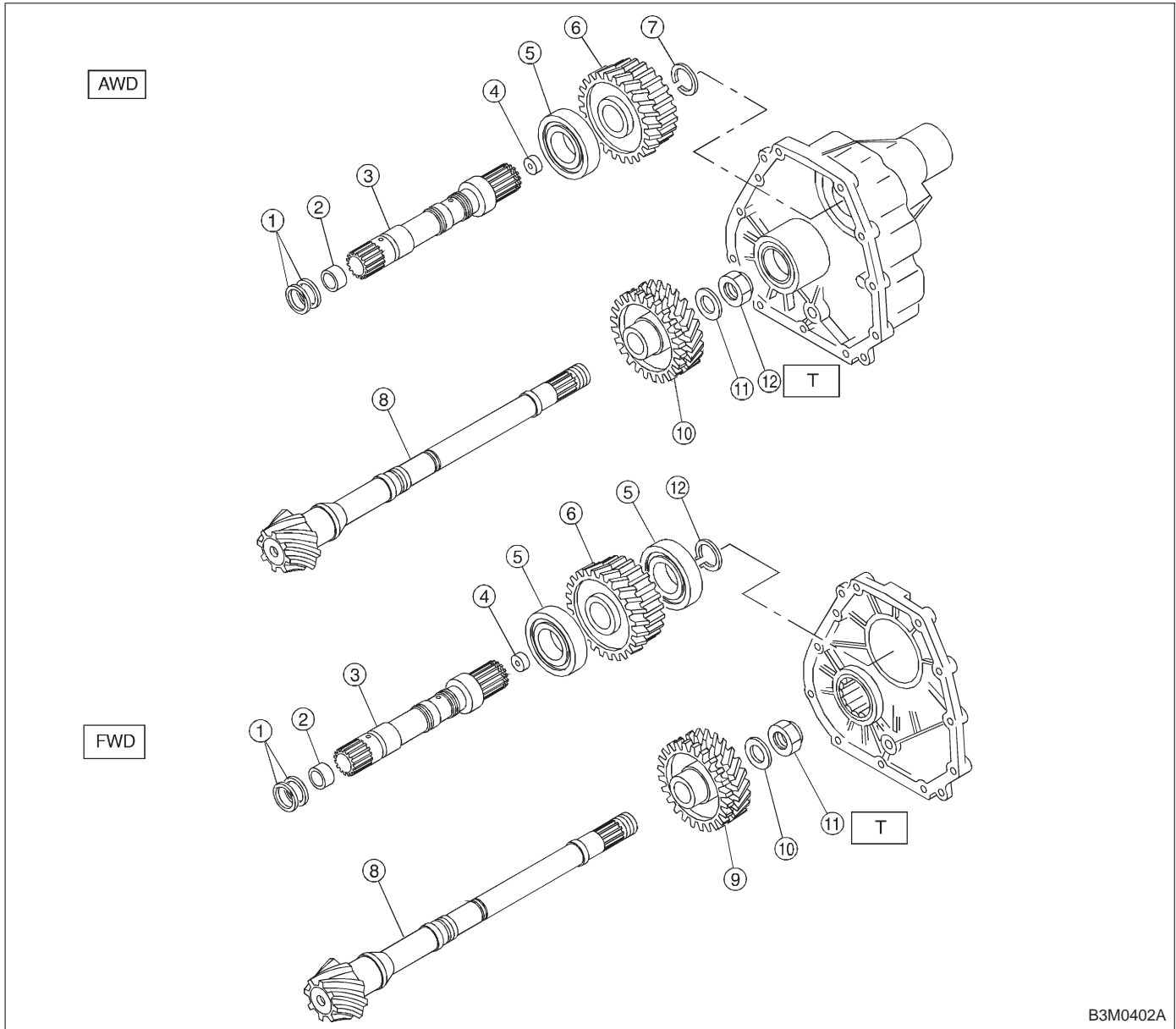


B3M0401A

- | | | |
|--------------------|-----------------------|-----------------------------------|
| ① Snap ring | ⑩ Dish plate | ⑲ Lathe cut seal ring |
| ② Retaining plate | ⑪ Snap ring | ⑳ Forward clutch drum |
| ③ Drive plate (5) | ⑫ Spring retainer | ㉑ Needle bearing |
| ④ Driven plate (5) | ⑬ Spring | ㉒ Snap ring |
| ⑤ Dish plate | ⑭ Lathe cut seal ring | ㉓ One-way clutch (1-2) |
| ⑥ Snap ring | ⑮ Overrunning piston | ㉔ Snap ring |
| ⑦ Retaining plate | | ㉕ Snap ring |
| ⑧ Drive plate | | ㉖ Retaining plate |
| ⑨ Driven plate | | ㉗ Drive plate (6) |
| | | ㉘ Driven plate (6) |
| | | ㉙ Dish plate |
| | | ⑳ Thrust needle bearing |
| | | ㉚ Seal ring |
| | | ㉛ Thrust washer |
| | | ㉜ One-way clutch inner race (1-2) |
| | | ㉝ Spring retainer |
| | | ㉞ Socket bolt |
| | | ㉟ Low & reverse piston |
| | | ㊱ Lathe cut seal ring |
| | | ㊲ Lathe cut seal ring |

Tightening torque: N·m (kg·m, ft·lb)
T: 25±2 (2.5±0.2, 18.1±1.4)

9. Reduction Gear



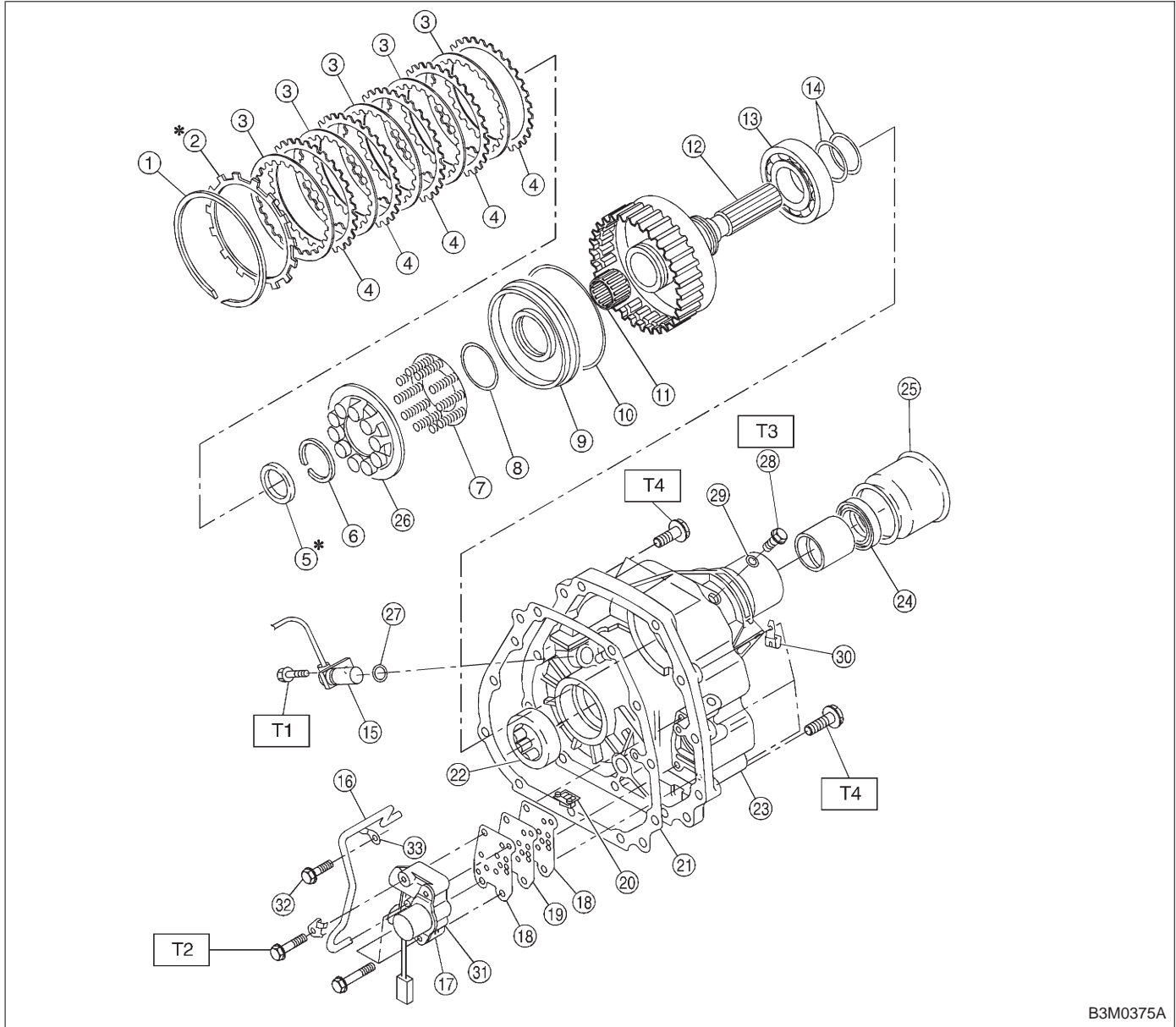
B3M0402A

- ① Seal ring
- ② Bushing
- ③ Reduction drive shaft
- ④ Plug
- ⑤ Ball bearing
- ⑥ Reduction drive gear
- ⑦ Snap ring
- ⑧ Drive pinion shaft
- ⑨ Reduction driven gear

- ⑩ Washer
- ⑪ Lock nut
- ⑫ Snap ring

Tightening torque: N·m (kg·m, ft·lb)
T: 98±5 (10.0±0.5, 72.3±3.6)

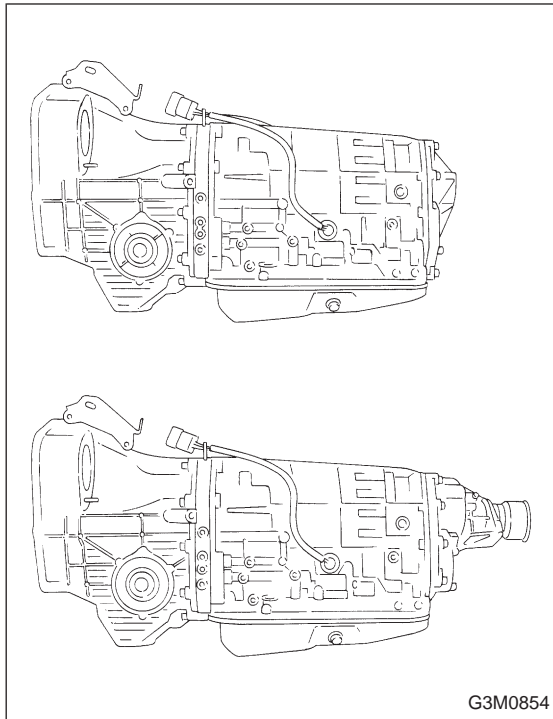
10. Transfer and Extension



B3M0375A

- | | | |
|--------------------------|-------------------------------------|-----------------------|
| ① Snap ring | ⑭ Seal ring | ⑳ O-ring |
| ② Pressure plate | ⑮ Vehicle speed sensor 1 (AWD only) | ㉑ Test plug |
| ③ Drive plate | ⑯ Transfer clutch pipe | ㉒ O-ring |
| ④ Driven plate | ⑰ Duty sol. C (Transfer clutch) | ㉓ Clip |
| ⑤ Thrust needle bearing | ⑱ Gasket | ㉔ Transfer valve body |
| ⑥ Snap ring | ⑲ Plate | ㉕ Clip |
| ⑦ Spring retainer | ⑳ Filter | ㉖ Stay |
| ⑧ Lathe cut seal ring | ㉑ Gasket | |
| ⑨ Transfer clutch piston | ㉒ Roller bearing | |
| ⑩ Lathe cut seal ring | ㉓ Extension case | |
| ⑪ Needle bearing | ㉔ Oil seal | |
| ⑫ Rear drive shaft | ㉕ Dust seal | |
| ⑬ Ball bearing | ㉖ Seal transfer piston | |
| | | ㉗ O-ring |
| | | ㉘ Test plug |
| | | ㉙ O-ring |
| | | ㉚ Clip |
| | | ㉛ Transfer valve body |
| | | ㉜ Clip |
| | | ㉝ Stay |

Tightening torque: N·m (kg·m, ft·lb)
T1: 7±1 (0.7±0.1, 5.1±0.7)
T2: 8±1 (0.8±0.1, 5.8±0.7)
T3: 13±1 (1.3±0.1, 9.4±0.7)
T4: 25±2 (2.5±0.2, 18.1±1.4)



1. Precaution

When disassembling or assembling the automatic transmission, observe the following instructions.

1) Workshop

Provide a place that is clean and free from dust. Principally the conventional workshop is suitable except for a dusty place. In a workshop where grinding work, etc. which produces fine particles is done, make independent place divided by the vinyl curtain or the equivalent.

2) Work table

The size of 1 x 1.5 m (40 x 60 in) is large enough to work, and it is more desirable that its surface be covered with flat plate like iron plate which is not rusted too much.

3) Cleaning of exterior

(1) Clean the exterior surface of transmission with steam and/or kerosene prior to disassembly, however it should be noted that vinyl tape be placed on the air breather or oil level gauge to prevent infiltration of the steam into the transmission and also the cleaning job be done away from the place of disassembly and assembly.

(2) Partial cleaning will do, depending on the extent of disassembly (such as when disassembly is limited to some certain parts).

4) Disassembly, assembly and cleaning

(1) Disassemble and assemble the transmission while inspecting the parts in accordance with the Diagnostics.

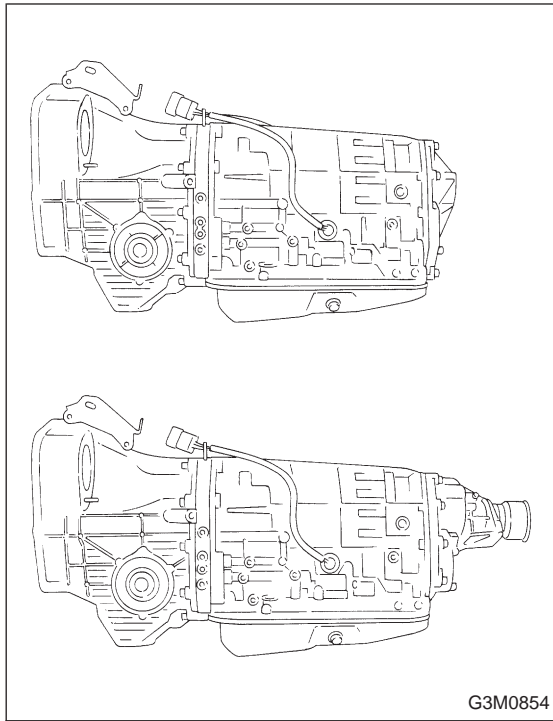
(2) During job, don't use gloves. Don't clean the parts with rags: Use chamois or nylon cloth.

(3) Pay special attention to the air to be used for cleaning. Get the moisture and the dust rid of the air as much as possible. Be careful not to scratch or dent any part while checking for proper operation with an air gun.

(4) Complete the job from cleaning to completion of assembly as continuously and speedily as possible in order to avoid occurrence of secondary troubles caused by dust. When stopping the job unavoidably cover the parts with clean chamois or nylon cloth to keep them away from any dust.

(5) Use kerosene, white gasoline or the equivalent as washing fluid. Use always new fluid for cleaning the automatic transmission parts and never reuse. The used fluid is usable in disassemble and assemble work of engine and manual transmission.

(6) Although the cleaning should be done by dipping into the washing fluid or blowing of the pressurized washing fluid, the dipping is more desirable. (Do not rub with a brush.) Assemble the parts immediately after the cleaning without exposure to the air for a while. Besides in case of washing rubber parts, perform the job quickly not to dip them into the washing fluid for long time.



G3M0854

(7) Apply the automatic transmission fluid (ATF) onto the parts immediately prior to assembly, and the specified tightening torque should be observed carefully.

(8) Use vaseline if it is necessary to hold parts in the position when assembling.

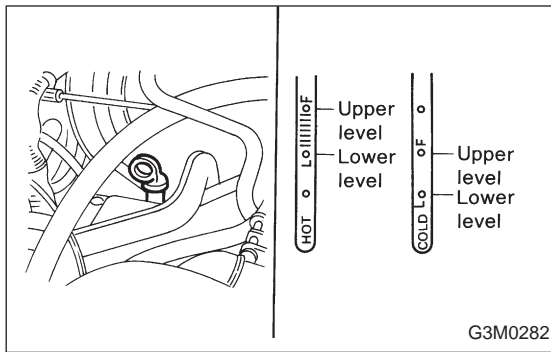
(9) Drain ATF and differential gear oil into a saucer so that the conditions of fluid and oil can be inspected.

(10) Do not support axle drive shaft, stator shaft, input shaft or various pipes when moving transmission from one place to another.

(11) Always discard old oil seals and O-ring, and install new ones.

(12) Do not reuse old aluminum (overrunning clutch pipes, etc.) pipes, gaskets, spring pins. Install new ones.

(13) Be sure to replace parts which are damaged, worn, scratched, discolored, etc.



2. On-Car Service

A: INSPECTION

1. ATF LEVEL

1) Raise ATF temperature to 60 to 80°C (140 to 176°F) from 40 to 60°C (104 to 140°F) (when cold) by driving a distance of 5 to 10 km (3 to 6 miles).

NOTE:

The level of ATF varies with fluid temperature. Pay attention to the fluid temperature when checking oil level.

2) Make sure the vehicle is level. After selecting all positions (P, R, N, D, 3, 2, 1), set the selector lever in "P" range. Measure fluid level with the engine idling.

NOTE:

After running, idle the engine for one or two minutes before measurement.

3) If the fluid level is below the center between upper and lower marks, add the recommended ATF until the fluid level is found within the specified range (above the center between upper and lower marks). When the transmission is hot, the level should be above the center of upper and lower marks, and when it is cold, the level should be found below the center of these two marks.

CAUTION:

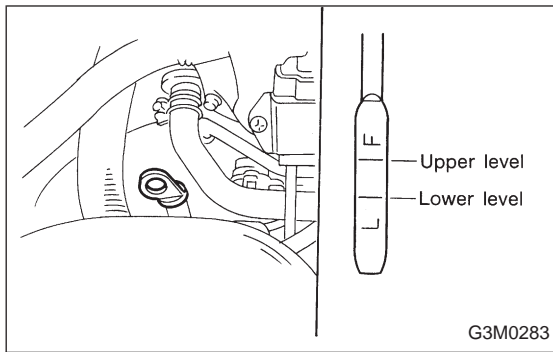
- Use care not to exceed the upper limit level.
- ATF level varies with temperature. Remember that the addition of fluid to the upper limit mark when the transmission is cold will result in the overfilling of fluid.

4) Fluid temperature rising speed

- By idling the engine
 - Time for temperature rise to 60°C (140°F) with atmospheric temperature of 0°C (32°F): More than 25 minutes
- <Reference>
 - Time for temperature rise to 30°C (86°F) with atmospheric temperature of 0°C (32°F): Approx. 8 minutes
- By running the vehicle
 - Time for temperature rise to 60°C (140°F) with atmospheric temperature of 0°C (32°F): More than 10 minutes

5) Method for checking fluid level upon delivery or at periodic inspection

Check fluid level after a warm-up run of approx. 10 minutes. During the warm-up period, the automatic transmission functions can also be checked.



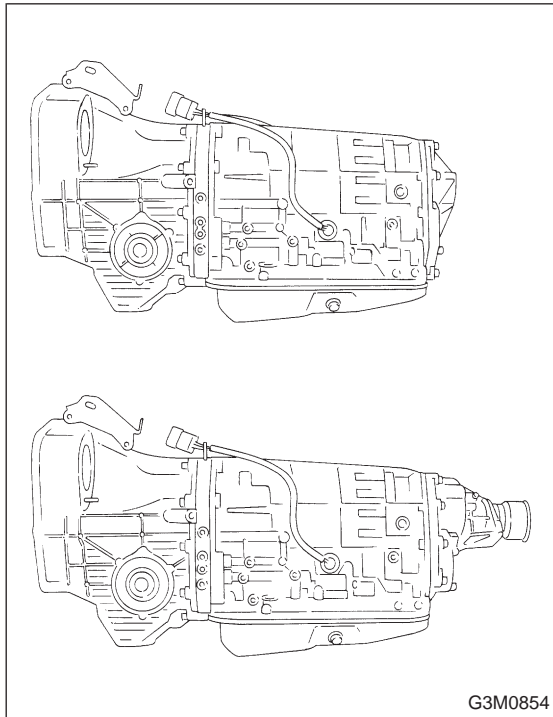
2. DIFFERENTIAL GEAR OIL LEVEL

1) Ensure the vehicle is in safe condition.

NOTE:

Do not check the oil level nor add oil to the case with the front end of the vehicle jacked-up; this will result in an incorrect reading of the oil level.

2) Check whether the oil level is between the upper (F) and lower (L) marks. If it is below the lower limit mark, add oil until the level reaches the upper mark.

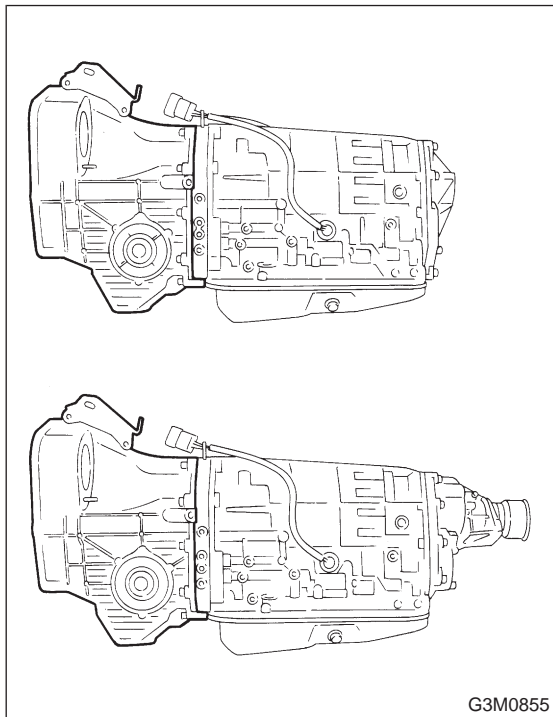


3. OIL LEAKAGE

It is difficult to accurately determine the precise position of a oil leak, since the surrounding area also becomes wet with oil. The places where oil seals and gaskets are used are as follows:

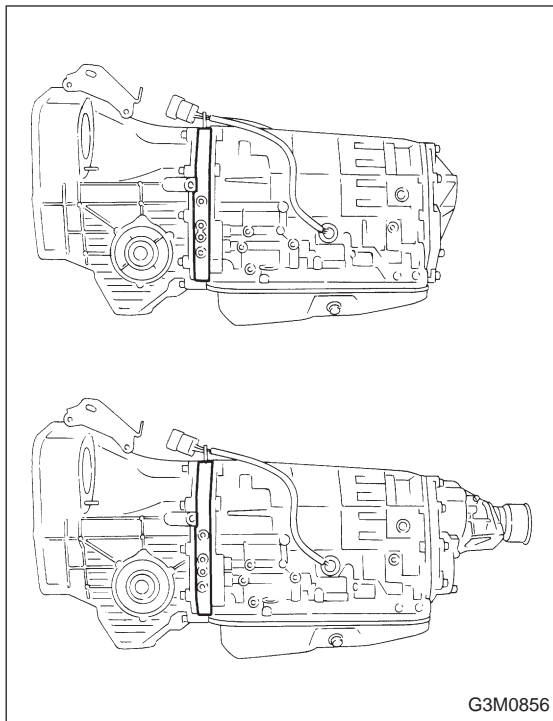
Jointing portion of the case

- Transmission case and oil pump housing jointing portion
- Torque converter clutch case and oil pump housing jointing portion
- Transmission case and transmission cover jointing portion (FWD)
- Transmission case and extension case jointing portion (AWD)



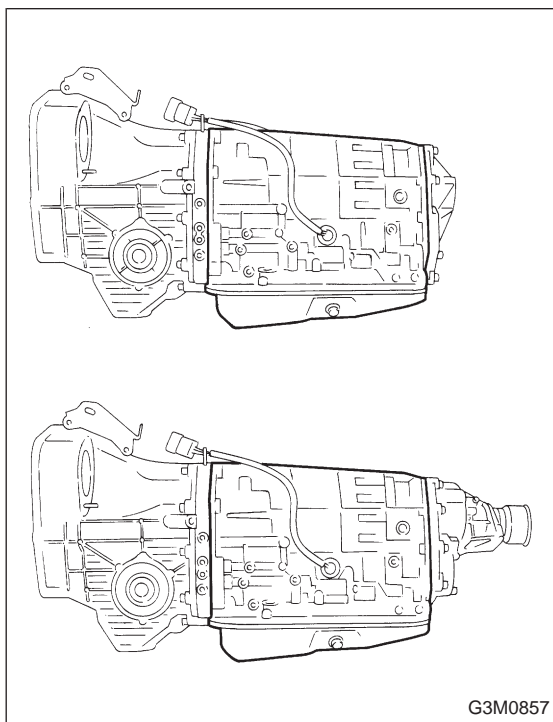
Torque converter clutch case

- Engine crankshaft oil seal
- Torque converter clutch impeller sleeve oil seal
- ATF cooler pipe connector
- Torque converter clutch
- Torque converter clutch case
- Axle shaft oil seal
- O-ring on the outside diameter of axle shaft oil seal holder
- O-ring on the differential oil gauge
- Differential oil drain plug
- Speedometer cable mounting portion
- Location of steel balls



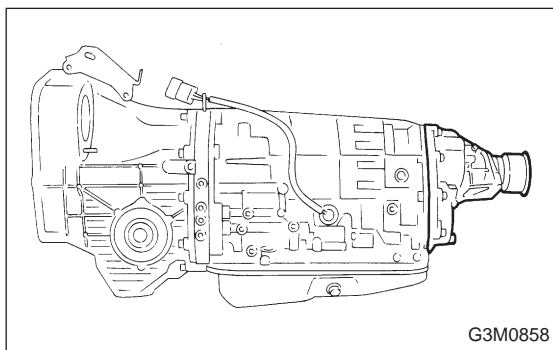
Oil pump housing

- Oil pump housing (Defective casting)
- O-ring on the test plugs
- Checking blind plugs
- Differential gear breather



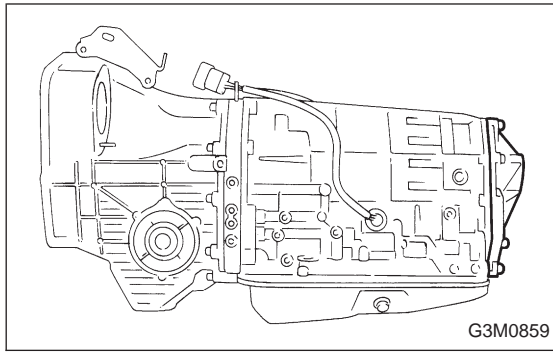
Automatic transmission case

- Transmission case (Defective casting)
- Mating surface of oil pan
- O-ring on the test plugs
- Checking blind plugs (Steel balls)
- Oil supply pipe connector
- ATF cooler pipe connector and gasket
- Oil pan drain plug
- O-ring on the transmission harness holder
- Oil pump plugs
- ATF breather
- Shift lever oil seal



Extension case

- Extension case (Defective casting)
- O-ring on the vehicle speed sensor
- Rear drive shaft oil seal
- Checking blind plugs (Steel ball)
- O-ring on the test plugs



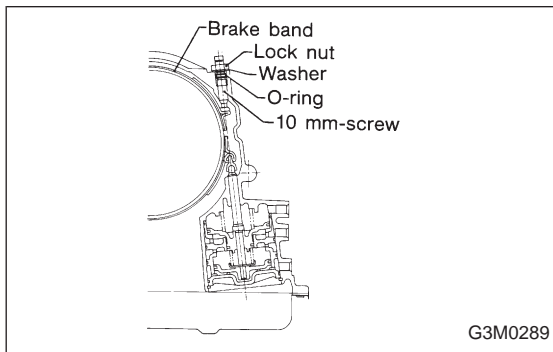
Transmission cover

● Transmission cover (Defective casting)

The point listed above should be checked for fluid leak.

Checking method is as follows:

- (1) Place the vehicle in the pit, and check whether the leaking oil is ATF or not. The ATF is wine red in color, and can be discriminated easily from engine oil and gear oil.
- (2) Wipe clean the leaking oil and dust from a suspectable area, using a non-inflammable organic solvent such as carbon tetrachloride.
- (3) Run the engine to raise the fluid temperature, and set the selector lever to “D” in order to increase the fluid pressure and quickly detect a leaking point. Also check for fluid leaks while shifting select lever to “R”, “2”, and “1”.

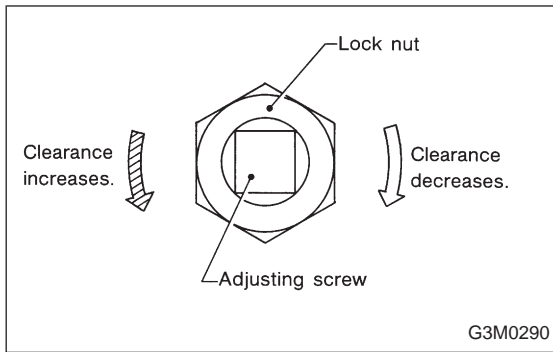


B: ADJUSTMENT

1. BRAKE BAND

If the following abnormal shifting conditions are noted in a road test, the brake band must be adjusted.

Improper brake band clearances and their symptoms	
Clearance	Problem
1. Too wide	Upshift from 1st directly to 3rd gear occurs.
2. Wide	<ul style="list-style-type: none"> ● Engine rpm increases abruptly while upshifting from 1st to 2nd gear or 3rd to 4th gear. ● Time lag of at least one second occurs during kickdown operation from 3rd to 2nd gear.
3. Small	“Braking” symptom occurs while upshifting from 2nd to 3rd gear.
4. Too small	Upshifts from 2nd to 4th gear and downshifts from 4th to 2nd gear occur repeatedly.



- Adjustment of the adjusting screw

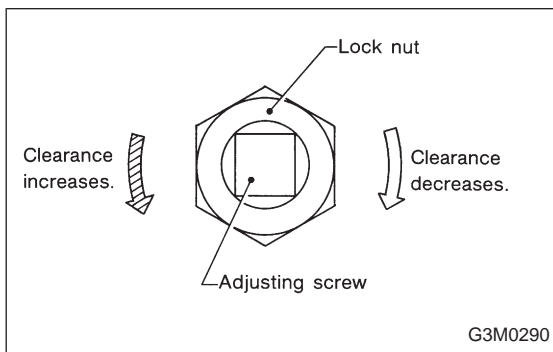
1) Using a ST, immobilize the end of the 10 mm-screw projecting on the left side of the transmission case, and loosen the nut with a double-end wrench.

In the case of occurrence of problems 2. and 3. mentioned previously, perform the adjustment by loosening or tightening the nut within a range of 3/4 turn from this state.

ST 398603610 SOCKET WRENCH

CAUTION:

Do not loosen excessively; otherwise, the band strut on the servo piston will drop off.

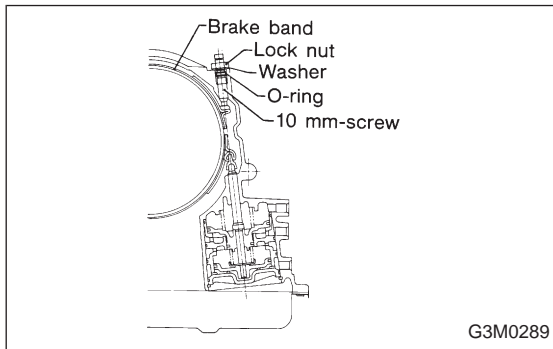


2) In case of the occurrence of problems 1. and 4. mentioned previously, perform the adjustment as follows:

Adjusting procedure: Tighten adjust screw to 9 N·m (0.9 kg·m, 6.5 ft·lb) torque, then back off three turns.

CAUTION:

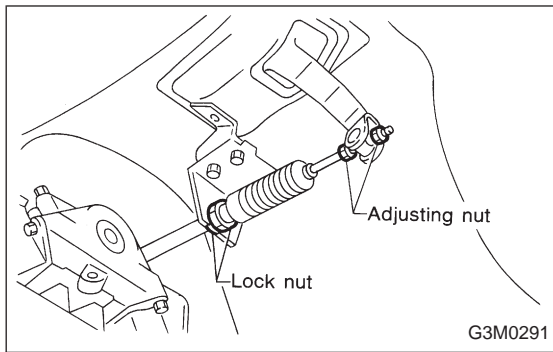
Do not tighten the adjusting screw with an excessively large torque.



3) With the adjusting screw immobilized, tighten the lock nut.

Tightening torque:

$26 \pm 2 \text{ N}\cdot\text{m}$ ($2.7 \pm 0.2 \text{ kg}\cdot\text{m}$, $19.5 \pm 1.4 \text{ ft}\cdot\text{lb}$)



2. INHIBITOR SWITCH

The inhibitor switch allows the back-up lights to turn on when the select lever is in the R range and the starter motor to start when the lever is in the N or P range. When driving condition or starter motor operation is erroneous, first check the shift linkage for improper operation. If the shift linkage is functioning properly, check the inhibitor switch.

<Inspection>

- (1) Disconnect cable end from select lever.
- (2) Disconnect inhibitor switch side connector.
- (3) Check continuity in inhibitor switch circuits with select lever moved to each position.

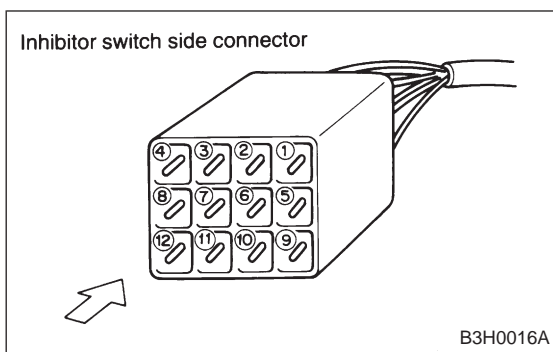
CAUTION:

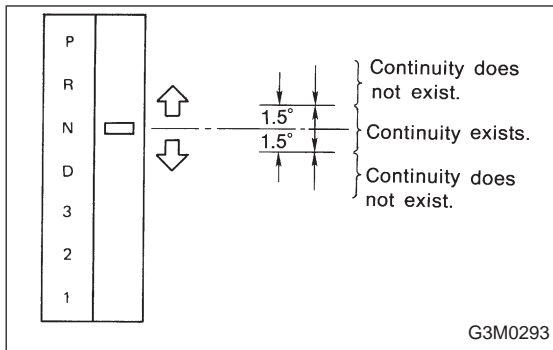
Also check that continuity in ignition circuit does not exist when selector lever is in R, D, 3, 2 and 1 ranges.

NOTE:

If inhibitor switch is inoperative, check for poor contact of connector on transmission side. (Plastic body type inhibitor switch)

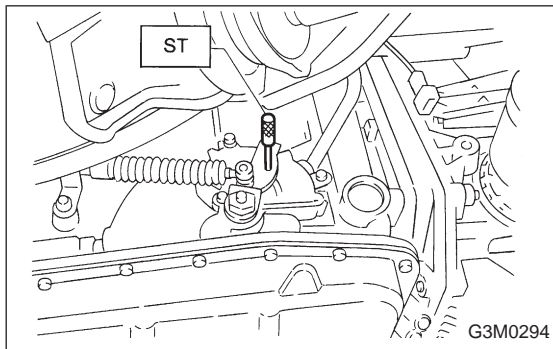
Pin No.	4	3	2	1	8	7	6	5	12	11	10	9
Lead color	B	Y	Br	YG	W	BY	R	GW	BY	BW	BW	RW
Position												
P	○	○							○	○		
R	○		○								○	○
N	○			○					○	○		
D	○				○							
3	○					○						
2	○						○					
1	○							○				
	Signal sent to AT control unit								Ignition circuit		Back-up light circuit	





(4) Check if there is continuity at equal points when the select lever is turned 1.5° in both directions from the N range.

If there is continuity in one direction and the continuity in the other or if there is continuity at unequal points, adjust the inhibitor switch.



<Adjustment>

- (1) Loosen the three inhibitor switch securing bolts.
- (2) Shift the select lever to the N range.
- (3) Insert ST as vertical as possible into the holes in the inhibitor switch lever and switch body.

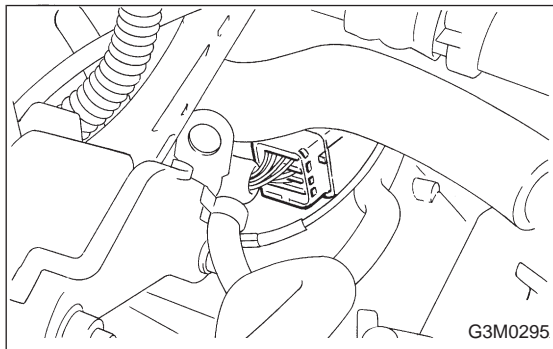
ST 499267300 STOPPER PIN

- (4) Tighten the three inhibitor switch bolts.

Tightening torque:

$3.4 \pm 0.5 \text{ N}\cdot\text{m}$ ($0.35 \pm 0.05 \text{ kg}\cdot\text{m}$, $2.5 \pm 0.4 \text{ ft}\cdot\text{lb}$)

- (5) Repeat the above checks. If the inhibitor switch is determined to be "faulty", replace it.



3. SENSOR (IN TRANSMISSION)

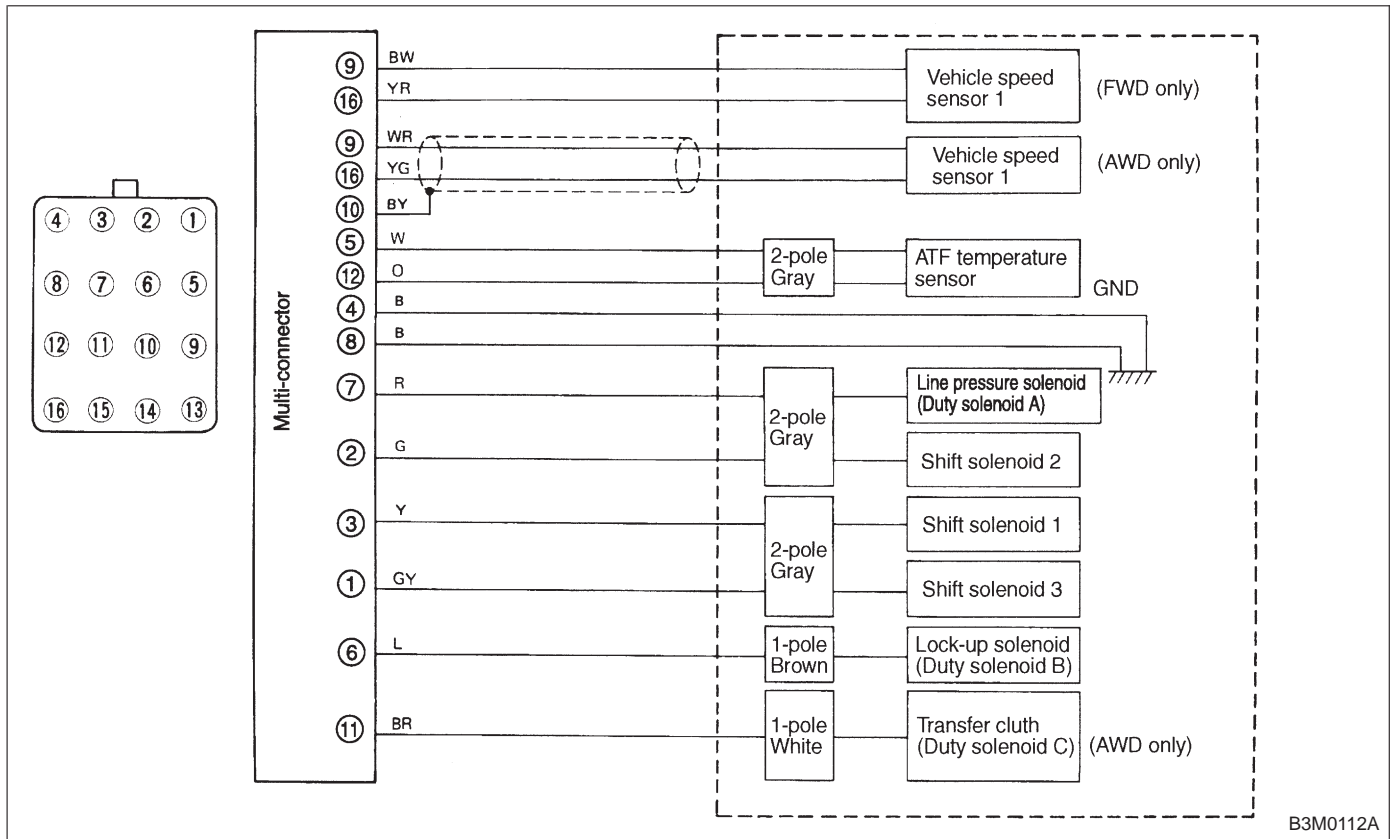
Check each sensor, solenoid and ground system for short circuits.

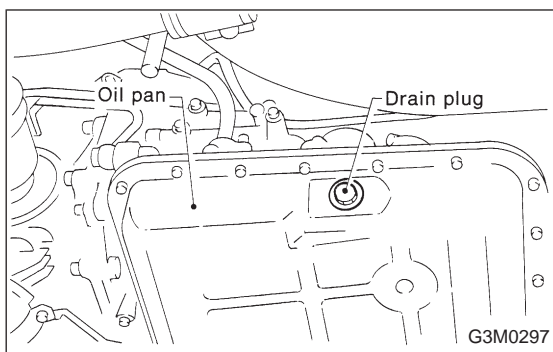
● Standard values

Part name	Terminal	Resistance (Ω)
Vehicle speed sensor 1	9 — 16	450 — 720
ATF temperature sensor	5 — 12	[2,100 — 2,900/20°C (68°F) 275 — 375/80°C (176°F)]
Duty solenoid A (Line pressure solenoid)	7 — 4, 8	1.5 — 4.5
Duty solenoid B (Lock-up solenoid)	6 — 4, 8	9 — 17
Shift solenoid 1	3 — 4, 8	20 — 32
Shift solenoid 2	2 — 4, 8	20 — 32
Shift solenoid 3	1 — 4, 8	20 — 32
Duty solenoid C (AWD only) (Transfer clutch solenoid)	11 — 4, 8	9 — 17

NOTE:

If part is faulty, its resistance value will be different from the standard value indicated above.





C: REMOVAL AND INSTALLATION

1. SHIFT SOLENOID, DUTY SOLENOID AND VALVE BODY

1) Removal

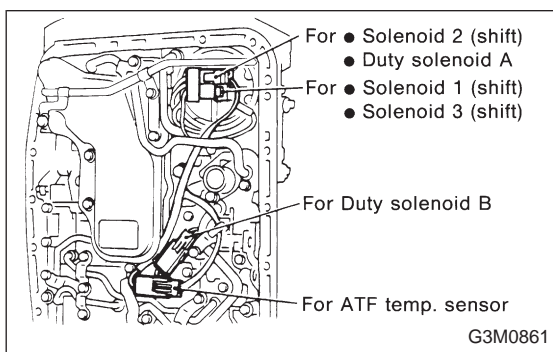
- (1) Clean transmission exterior.
- (2) Drain ATF completely.

NOTE:

Tighten ATF drain plug after draining ATF.

Tightening torque:

25±2 N·m (2.5±0.2 kg·m, 18.1±1.4 ft·lb)

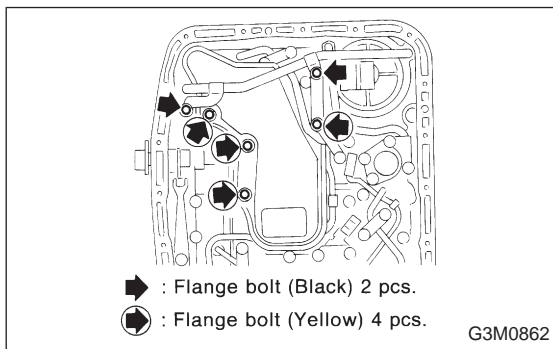


- (3) Remove oil pan and gasket.

NOTE:

Drain oil into a container.

- (4) Disconnect solenoid valve connectors. Remove connectors from clips and disconnect connectors at 4 places.

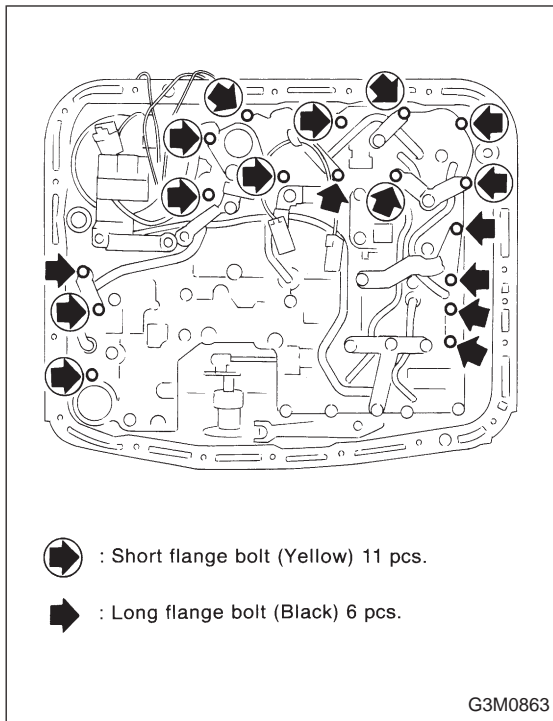


- (5) Remove oil strainer.

Disconnect oil pipe by removing the two bolts, and remove four bolts and oil strainer.

NOTE:

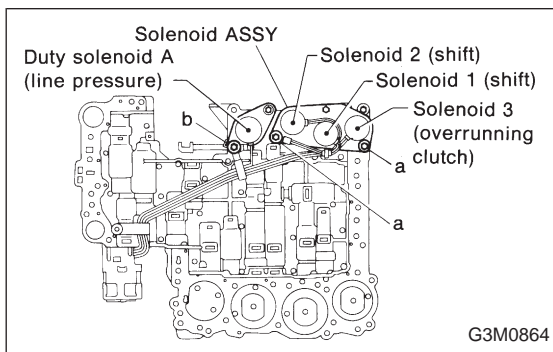
Be careful because oil flows from oil strainer.



(6) Remove control valve body and two brackets.
Remove 6 long bolts (Black) and 11 short bolts (Yellow).

NOTE:

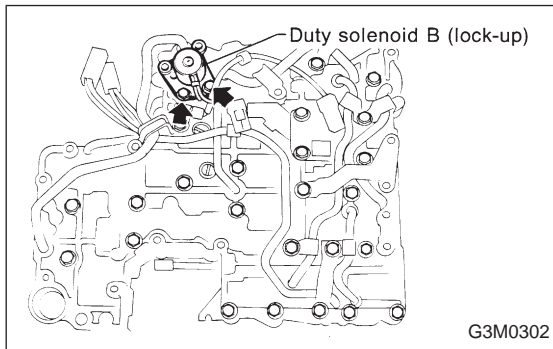
- Be careful because oil flows from valve body.
- Be careful not to damage accumulator spring at rear of control valve.



(7) Remove shift solenoids 1, 2, and 3, and duty solenoid A.

a length : 16 mm (0.63 in)
b length : 27 mm (1.06 in)

(8) Remove duty solenoid B.

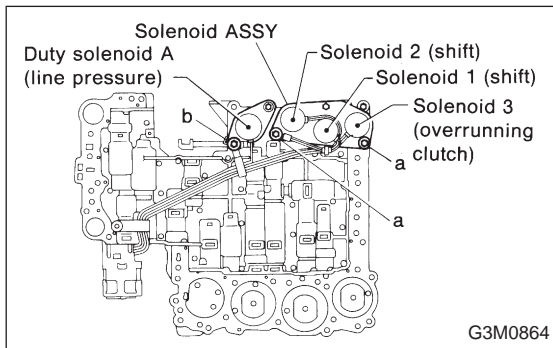


2) Installation

(1) Install duty solenoid B (lock-up).

Tightening torque:

11.3±1.5 N·m (1.15±0.15 kg·m, 8.3±1.1 ft-lb)

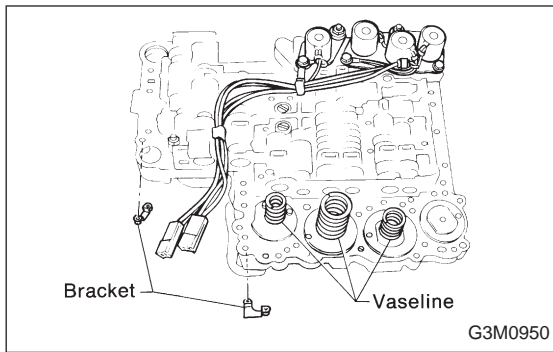


(2) Install solenoid valves.

Shift solenoids, 1, 2 and 3, and duty solenoid A (line pressure).

Tightening torque:

8±1 N·m (0.8±0.1 kg·m, 5.8±0.7 ft-lb)



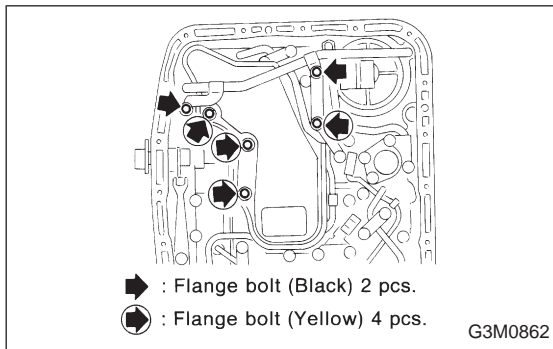
(3) Install valve body and two brackets.

Tightening torque:

$8\pm 1 \text{ N}\cdot\text{m}$ ($0.8\pm 0.1 \text{ kg}\cdot\text{m}$, $5.8\pm 0.7 \text{ ft}\cdot\text{lb}$)

NOTE:

- Secure accumulator springs using vaseline.
- Align manual valve connections.

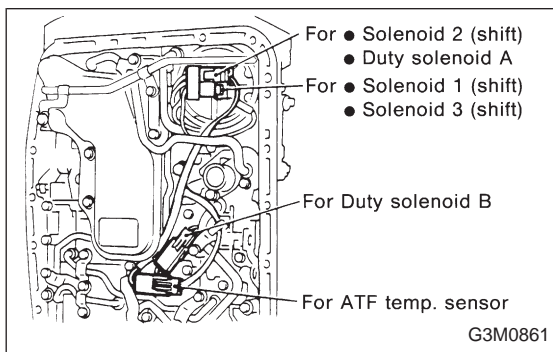


(4) Install oil strainer.

Also install oil pipe and harness connector bracket.

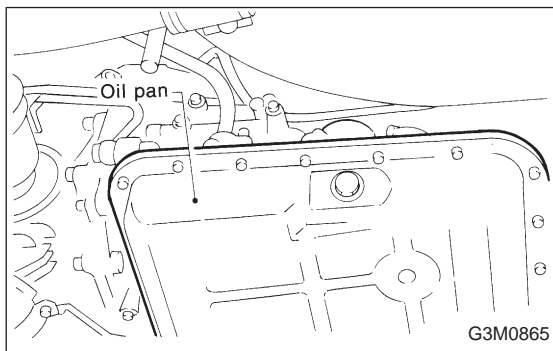
Tightening torque:

$8\pm 1 \text{ N}\cdot\text{m}$ ($0.8\pm 0.1 \text{ kg}\cdot\text{m}$, $5.8\pm 0.7 \text{ ft}\cdot\text{lb}$)



(5) Connect harness connectors at 4 places.

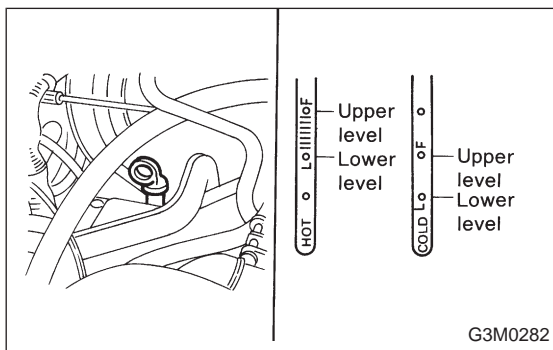
Connect connectors of same color, and secure connectors to valve body using clips.



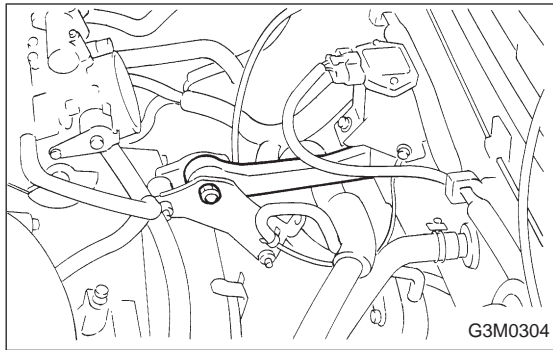
(6) Install oil pan and gasket.

Tightening torque:

$4.9\pm 0.5 \text{ N}\cdot\text{m}$ ($0.50\pm 0.05 \text{ kg}\cdot\text{m}$, $3.6\pm 0.4 \text{ ft}\cdot\text{lb}$)



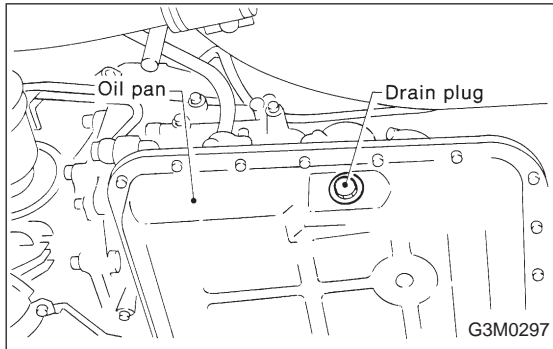
(7) Add ATF and check level.



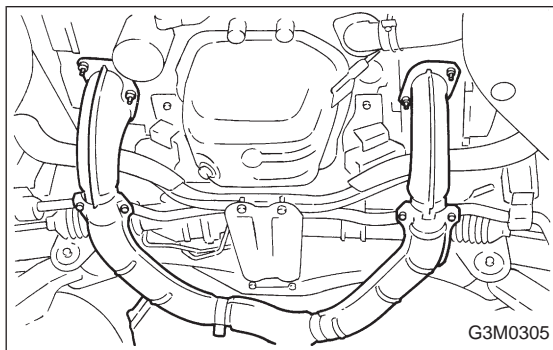
2. DUTY SOLENOID C AND TRANSFER VALVE BODY

1) Removal

(1) Remove pitching stopper.

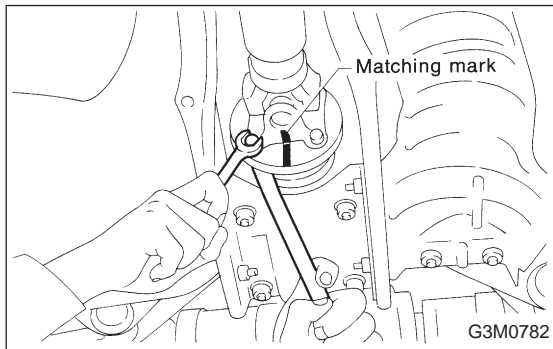


(2) Raise vehicle and drain ATF.



(3) Remove front exhaust pipe.

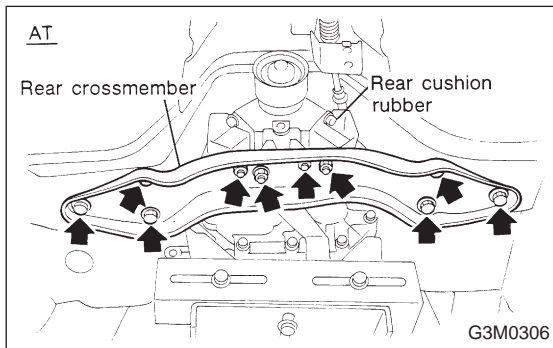
Disconnect oxygen sensor connector, and remove exhaust pipe.



(4) Remove propeller shaft.

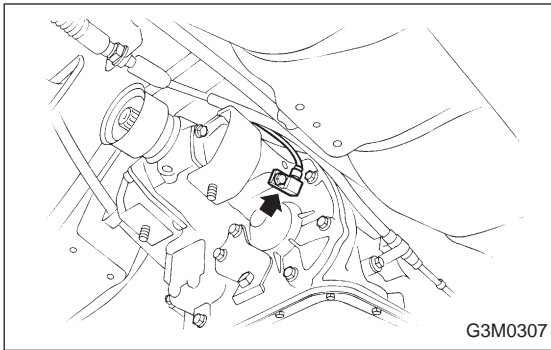
NOTE:

Before removing propeller shaft, scribe matching marks on propeller shaft and rear differential coupling.

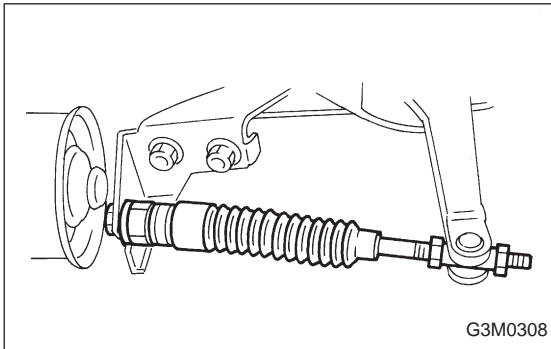


(5) Remove rear crossmember.

- Support transmission using a transmission jack and raise slightly.
- Remove bolts and nuts as shown in Figure.

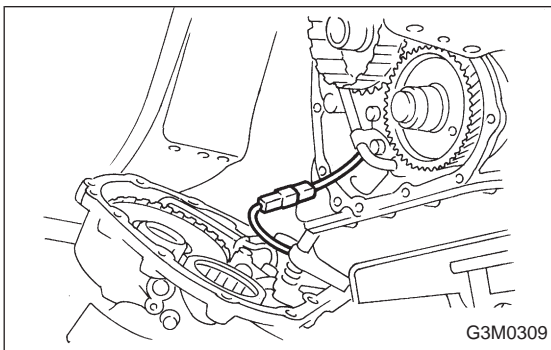


(6) Remove vehicle speed sensor 1.



(7) Remove extension and gasket.

- Remove gear select cable nut.
- Move gear select cable so that extension bolts can be removed.



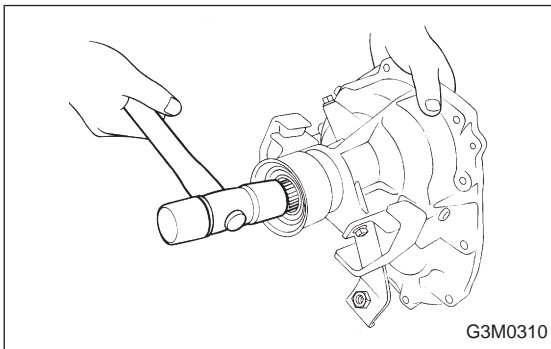
- Remove bolts.
- Remove extension and disconnect duty solenoid C connector.

CAUTION:

Do not force extension back before disconnecting solenoid connector. Otherwise, harness may be damaged.

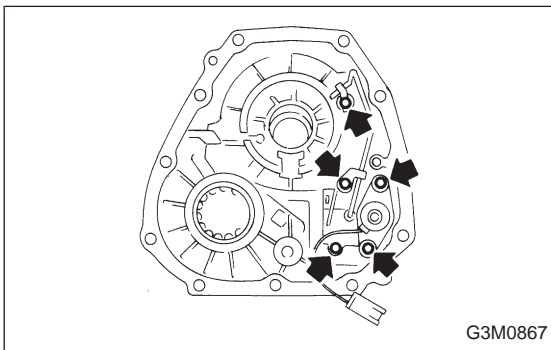
NOTE:

Use a container to catch oil flowing from extension.

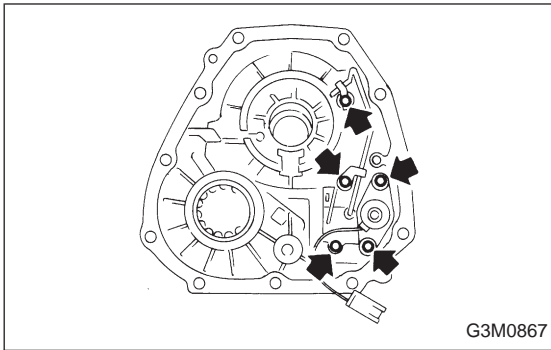


(8) Remove duty solenoid C and transfer valve body from extension.

- Remove transfer clutch drum.



- Remove clamp which secures pipe.
- Remove bolts.



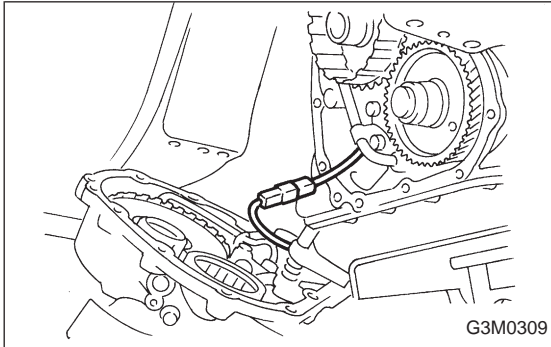
2) Installation

- (1) Install duty solenoid C and transfer valve body.
- Install duty solenoid C and transfer valve body.
 - Install pipe and clamp.

Tightening torque:

$8 \pm 1 \text{ N}\cdot\text{m}$ ($0.8 \pm 0.1 \text{ kg}\cdot\text{m}$, $5.8 \pm 0.7 \text{ ft}\cdot\text{lb}$)

- Install clutch drum.



- (2) Install extension.
- Connect connector.
 - Tighten 11 bolts.

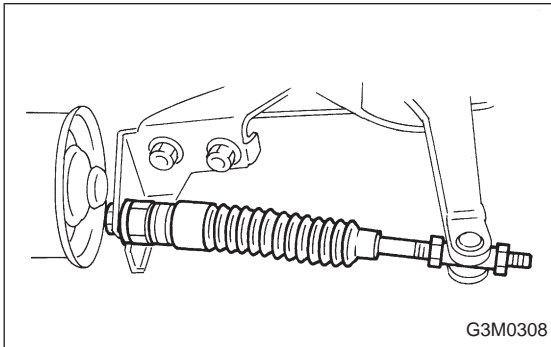
Tightening torque:

$25 \pm 2 \text{ N}\cdot\text{m}$ ($2.5 \pm 0.2 \text{ kg}\cdot\text{m}$, $18.1 \pm 1.4 \text{ ft}\cdot\text{lb}$)

- Install gear select cable.

Tightening torque:

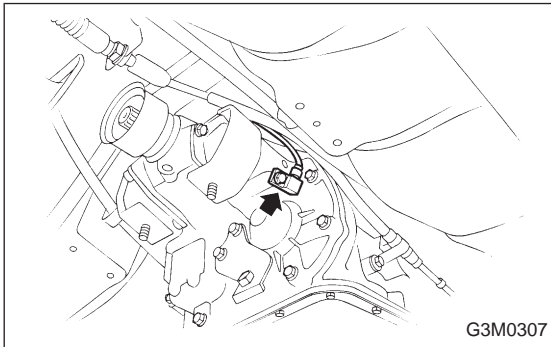
$14 \pm 4 \text{ N}\cdot\text{m}$ ($1.4 \pm 0.4 \text{ kg}\cdot\text{m}$, $10.1 \pm 2.9 \text{ ft}\cdot\text{lb}$)



- (3) Install vehicle speed sensor 1.

Tightening torque:

$7 \pm 1 \text{ N}\cdot\text{m}$ ($0.7 \pm 0.1 \text{ kg}\cdot\text{m}$, $5.1 \pm 0.7 \text{ ft}\cdot\text{lb}$)



- (4) Install rear crossmember.

- Tighten bolts.

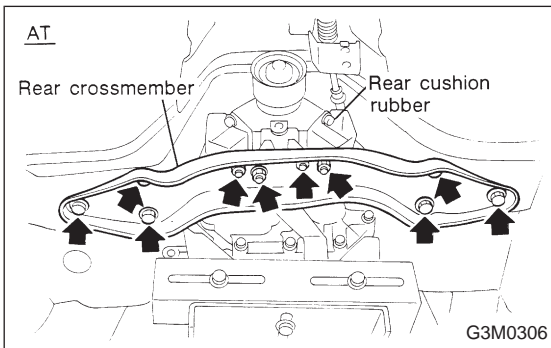
Tightening torque:**Crossmember to body**

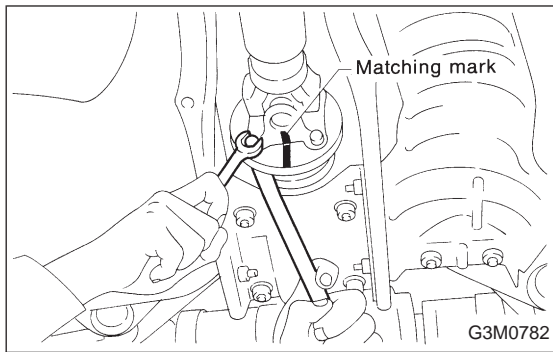
$69 \pm 15 \text{ N}\cdot\text{m}$ ($7.0 \pm 1.5 \text{ kg}\cdot\text{m}$, $51 \pm 11 \text{ ft}\cdot\text{lb}$)

Crossmember to cushion

$18 \pm 5 \text{ N}\cdot\text{m}$ ($1.8 \pm 0.5 \text{ kg}\cdot\text{m}$, $13.0 \pm 3.6 \text{ ft}\cdot\text{lb}$)

- Lower and remove transmission jack.





(5) Install propeller shaft.

Tightening torque:

At rear differential

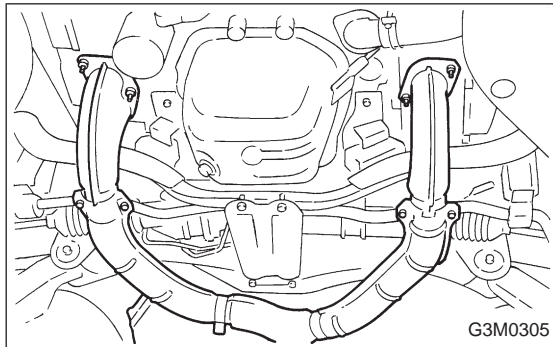
$23 \pm 5 \text{ N}\cdot\text{m}$ ($2.3 \pm 0.5 \text{ kg}\cdot\text{m}$, $16.6 \pm 3.6 \text{ ft}\cdot\text{lb}$)

At center bearing

$39 \pm 5 \text{ N}\cdot\text{m}$ ($4.0 \pm 0.5 \text{ kg}\cdot\text{m}$, $28.9 \pm 3.6 \text{ ft}\cdot\text{lb}$)

NOTE:

Align matching marks on propeller shaft and rear differential coupling.



(6) Install front exhaust pipe

Tightening torque:

At engine

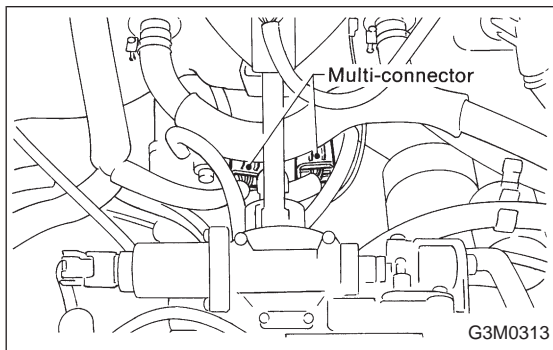
$29 \pm 5 \text{ N}\cdot\text{m}$ ($3.0 \pm 0.5 \text{ kg}\cdot\text{m}$, $21.7 \pm 3.6 \text{ ft}\cdot\text{lb}$)

At hanger

$29 \pm 5 \text{ N}\cdot\text{m}$ ($3.0 \pm 0.5 \text{ kg}\cdot\text{m}$, $21.7 \pm 3.6 \text{ ft}\cdot\text{lb}$)

At front and rear connections

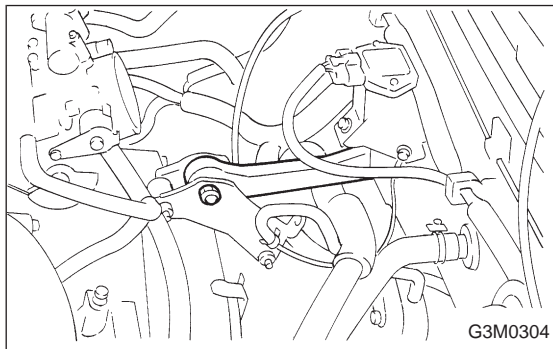
$18 \pm 5 \text{ N}\cdot\text{m}$ ($1.8 \pm 0.5 \text{ kg}\cdot\text{m}$, $13.0 \pm 3.6 \text{ ft}\cdot\text{lb}$)



(7) Lower and remove jack.

(8) Connect the following parts:

- Oxygen sensor connector
- Multi-connector



(9) Install pitching stopper.

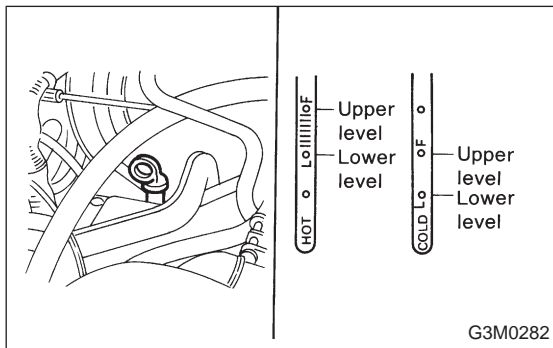
Tightening torque:

Body side

$57 \pm 10 \text{ N}\cdot\text{m}$ ($5.8 \pm 1.0 \text{ kg}\cdot\text{m}$, $42 \pm 7 \text{ ft}\cdot\text{lb}$)

Engine side

$49 \pm 5 \text{ N}\cdot\text{m}$ ($5.0 \pm 0.5 \text{ kg}\cdot\text{m}$, $36.2 \pm 3.6 \text{ ft}\cdot\text{lb}$)



(10) Replenish ATF and check oil level. Check for leaks.

3. Performance Test

A: STALL TEST

1. GENERAL

The stall test is of extreme importance in diagnosing the condition of the automatic transmission and the engine. It should be conducted to measure the engine stall speeds in all shift ranges except the P and N ranges.

Purposes of the stall test:

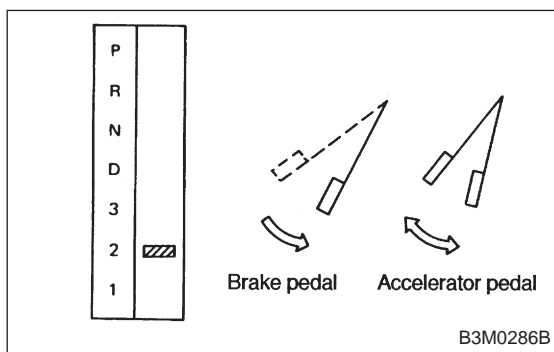
- 1) To check the operation of the automatic transmission clutch.
- 2) To check the operation of the torque converter clutch.
- 3) To check engine performance.

2. TEST METHODS

Preparations before test:

- ① Check that throttle valve opens fully.
- ② Check that engine oil level is correct.
- ③ Check that coolant level is correct.
- ④ Check that ATF level is correct.
- ⑤ Check that differential gear oil level is correct.
- ⑥ Increase ATF temperature to 50 to 80°C (122 to 176°F) by idling the engine for approximately 30 minutes (with select lever set to "N" or "P").

- 1) Install an engine tachometer at a location visible from the driver's compartment and mark the stall speed range on the tachometer scale.
- 2) Place the wheel chocks at the front and rear of all wheels and engage the parking brake.
- 3) Move the manual linkage to ensure it operates properly, and shift the select lever to the 2 range.



- 4) While forcibly depressing the foot brake pedal, gradually depress the accelerator pedal until the engine operates at full throttle.

- 5) When the engine speed is stabilized, read that speed quickly and release the accelerator pedal.

- 6) Shift the select lever to Neutral, and cool down the engine by idling it for more than one minute.

- 7) Record the stall speed.

- 8) If stall speed in 2 range is higher than specifications, forward clutch slipping on brake band slipping may occur. To identify it, conduct the same test as above in D range.

- 9) Perform the stall tests with the select lever in the R range.

CAUTION:

● Do not continue the stall test for MORE THAN FIVE SECONDS at a time (from closed throttle, fully open throttle to stall speed reading). Failure to follow this instruction causes the engine oil and ATF to deteriorate and the clutch and brake band to be adversely affected.

Be sure to cool down the engine for at least one minute after each stall test with the select lever set in the P or N range and with the idle speed lower than 1,200 rpm.

- If the stall speed is higher than the specified range, attempt to finish the stall test in as short a time as possible, in order to prevent the automatic transmission from sustaining damage.

Specifications

Stall speed (at sea level):

2200 cc 2,200 — 2,600 rpm

2500 cc 2,200 — 2,600 rpm

OUTBACK 2,300 — 2,700 rpm

3. EVALUATION

Stall speed (at sea level)	Position	Cause
Less than specifications	2 R	<ul style="list-style-type: none"> ● Throttle valve not fully open ● Erroneous engine operation ● Torque converter clutch's one-way clutch slipping
Greater than specifications	D	<ul style="list-style-type: none"> ● Forward clutch slipping ● One-way clutch (1-2) malfunctioning
	R	<ul style="list-style-type: none"> ● Line pressure too low ● Reverse clutch slipping ● Low & reverse brake slipping
	2	<ul style="list-style-type: none"> ● Line pressure too low ● Forward clutch slipping ● Brake band slipping ● One-way clutch (3-4) malfunctioning

B: TIME LAG TEST

1. GENERAL

If the shift lever is shifted while the engine is idling, there will be a certain time elapse or lag before the shock can be felt. This is used for checking the condition of the forward clutch, reverse clutch, low & reverse brake, forward one-way clutch and low one-way clutch.

CAUTION:

- Perform the test at normal operation fluid temperature 60 to 80°C (140 to 176°F).
- Be sure to allow a one minute interval between tests.
- Make three measurements and take the average value.

2. TEST METHODS

- 1) Fully apply the parking brake.
- 2) Start the engine.

Check idling speed (A/C OFF).

“N” range: 800±100 rpm

- 3) Shift the shift lever from “N” to “D” range.

Using a stop watch, measure the time it takes from shifting the lever until the shock is felt.

Time lag: Less than 1.2 seconds

- 4) In same manner, measure the time lag for “N” → “R”.

Time lag: Less than 1.5 seconds

3. EVALUATION

- 1) If “N” → “D” time lag is longer than specified:

- Line pressure too low
- Forward clutch worn
- Low one-way clutch not operating properly

- 2) If “N” → “R” time lag is longer than specified:

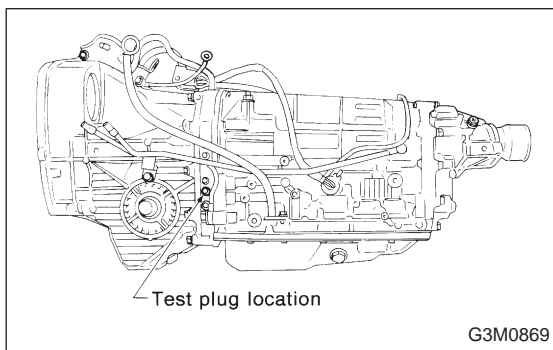
- Line pressure too low
- Reverse clutch worn
- Low & reverse brake worn
- Forward one-way clutch not operating properly

C: LINE PRESSURE TEST

1. GENERAL

If the clutch or the brake band shows a sign of slippage or shifting sensation is not correct, the line pressure should be checked.

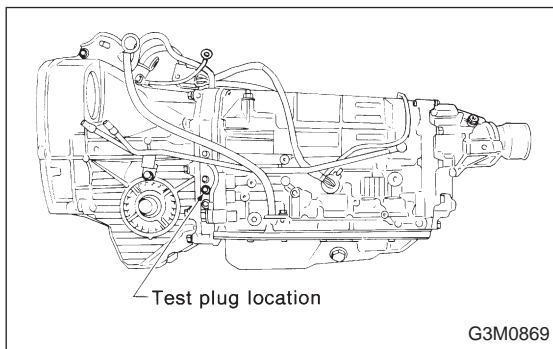
- Excessive shocks during upshifting or shifting takes place at a higher point than under normal circumstances, may be due to the line pressure being too high.
- Slippage or inability to operate the vehicle may, in most cases, be due to loss of oil pressure for the operation of the clutch, brake band or control valve.



1) Line pressure measurement (under no load)

CAUTION:

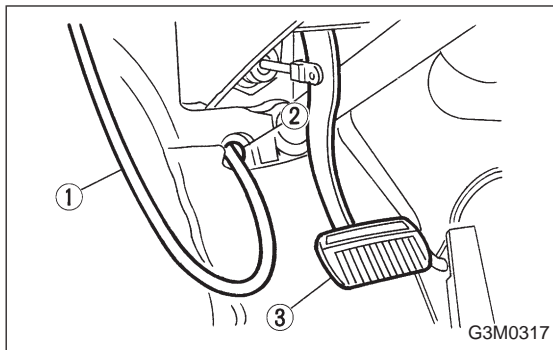
- Before measuring line pressure, jack-up front wheels (front-wheel-drive model) or all wheels (4-wheel drive model).
- Maintain temperature of ATF at approximately 50°C (122°F) during measurement. (ATF will reach the above temperature after idling the engine for approximately 30 minutes with select lever in “N” or “P”.)



2) Line pressure measurement (under heavy load)

CAUTION:

- Before measuring line pressure, apply both foot and parking brakes with all wheels chocked (Same as for “stall” test conditions).
- Measure line pressure when select lever is in “R”, “2” with engine under stall conditions.
- Measure line pressure within 5 seconds after shifting the select lever to each position. (If line pressure needs to be measured again, allow the engine to idle and then stop. Wait for at least one minute before measurement.)
- Maintain the temperature of ATF at approximately 50°C (122°F) during measurement. (ATF will reach the above temperature after idling the engine for approximately 30 minutes with the select lever in “N” or “P”.)

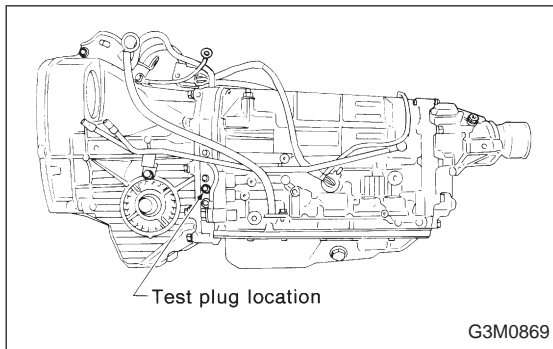


2. TEST METHODS

1) Temporarily attach the ST to a suitable place in the driver's compartment, remove the blind plug located in front of the toe board and pass the hose of the ST to the engine compartment.

ST 498575400 OIL PRESSURE GAUGE ASSY

- ① Pressure gauge hose
- ② Hole in toe board (blank cap hole)
- ③ Brake pedal



2) Remove the test plug and install ST1 instead.
 3) Connect ST1 with ST2.

ST1 498897200 OIL PRESSURE GAUGE ADAPTER
 ST2 498575400 OIL PRESSURE GAUGE ASSY

4) Check for duty ratio changes by opening and closing throttle valve using select monitor. <Ref. to 3-2 [T8K0].>
 5) Check line pressure in accordance with the following chart.

3. EVALUATION

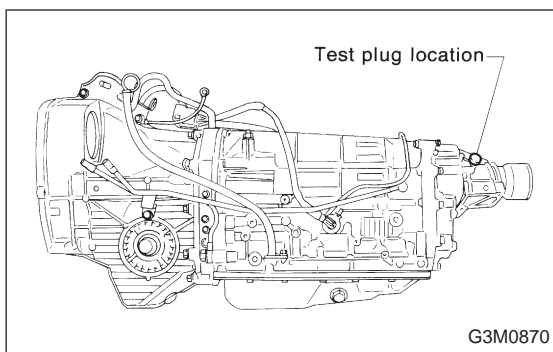
NOTE:

- Under no load: "D"
 - Under full load: "R", "2"
- (With engine running at stall speed)

<Standard line pressure>

Unit: kPa (kg/cm², psi)

Duty ratio (%)	Line pressure			
	"2" range	"R" range	"D" range	
			2200 cc	2500 cc
5	1,147 — 1,344 (11.7 — 13.1, 166 — 195)	1,275 — 1,569 (13.0 — 16.0, 185 — 228)	—	
22	—	—	765 — 902 (7.8 — 9.2, 111 — 131)	
100	—	—	235 — 481 (2.4 — 4.9, 34 — 70)	392 — 490 (4.0 — 5.0, 57 — 71)



D: TRANSFER CLUTCH PRESSURE TEST

Check transfer clutch pressure in accordance with the following chart in the same manner as with line pressure.

ST 499897700 OIL PRESSURE ADAPTER SET
 ST 498575400 OIL PRESSURE GAUGE ASSY

AWD mode: "D" range

FWD mode: "P" range, engine speed 2000 rpm

CAUTION:

Before setting in FWD mode, install spare fuse on FWD mode switch.

Unit: kPa (kg/cm², psi)

Duty ratio (%)	AWD mode	FWD mode
5	667 — 804 (6.8 — 8.2, 97 — 117)	667 — 804 (6.8 — 8.2, 97 — 117)
40	137 — 226 (1.4 — 2.3, 20 — 33)	—
95	0 (0, 0)	—

If oil pressure is not produced or if it does not change in the AWD mode, the duty solenoid C or transfer valve assembly may be malfunctioning. If oil pressure is produced in the FWD mode, the problem is similar to that in the AWD mode.

E: ROAD TEST

1. GENERAL

Road tests should be conducted to properly diagnose the condition of the automatic transmission.

CAUTION:

When performing test, do not exceed posted speed limit.

2. CHECKING FOR SHIFT PATTERNS

Check "kick-down".

D range: 1st ↔ 2nd ↔ 3rd ↔ 4th

3 range: 1st ↔ 2nd ↔ 3rd ← 4th

2 range: 2nd ← 3rd ← 4th

1 range: 1st ← 2nd ← 3rd ← 4th

3. CHECK FOR ENGINE BRAKE OPERATION

Engine brake operation:

D range → 4th gear

3 range → 3rd gear

2 range → 2nd gear

1 range → 1st gear

4. CHECK FOR THE AWD FUNCTION

If “tight-corner braking” occurs when the steering wheel is fully turned at low speed:

1) Determine the applicable trouble code and check the corresponding duty solenoid C (transfer) for improper operation.

2) If the solenoid is operating properly, check transfer clutch pressure.

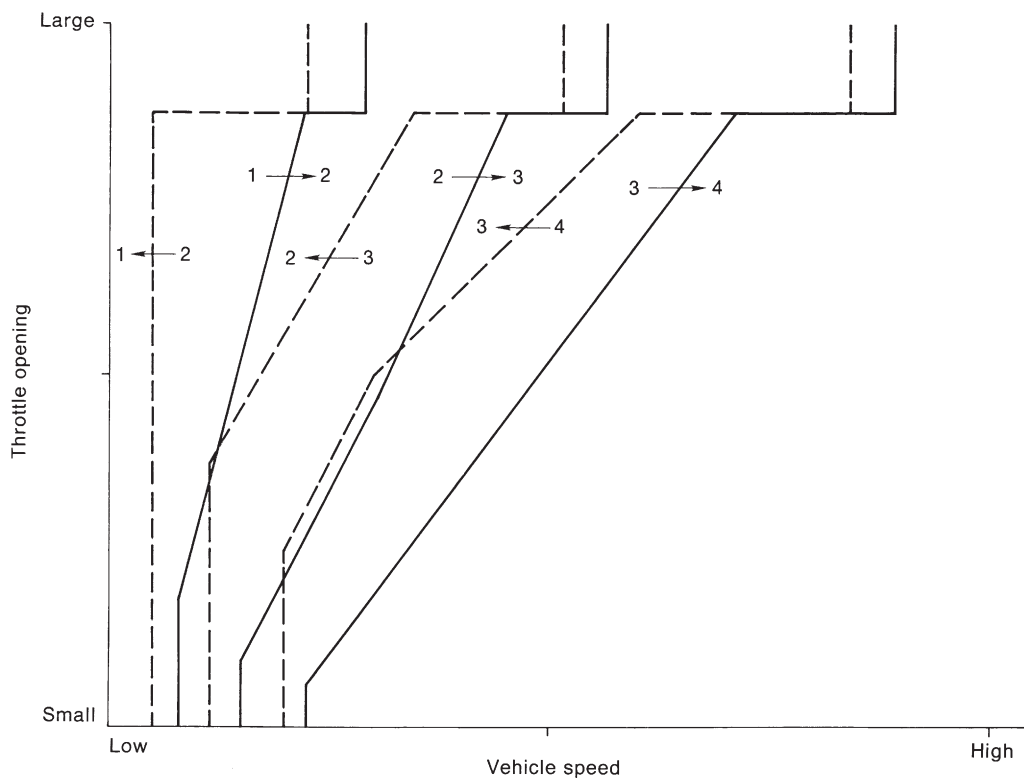
3) If oil pressure is normal but “tight-corner braking” occurs:

Check the transfer control valve for sticking, and the transfer clutch facing for wear.

<Ref. to 3-2 [W15A0].>

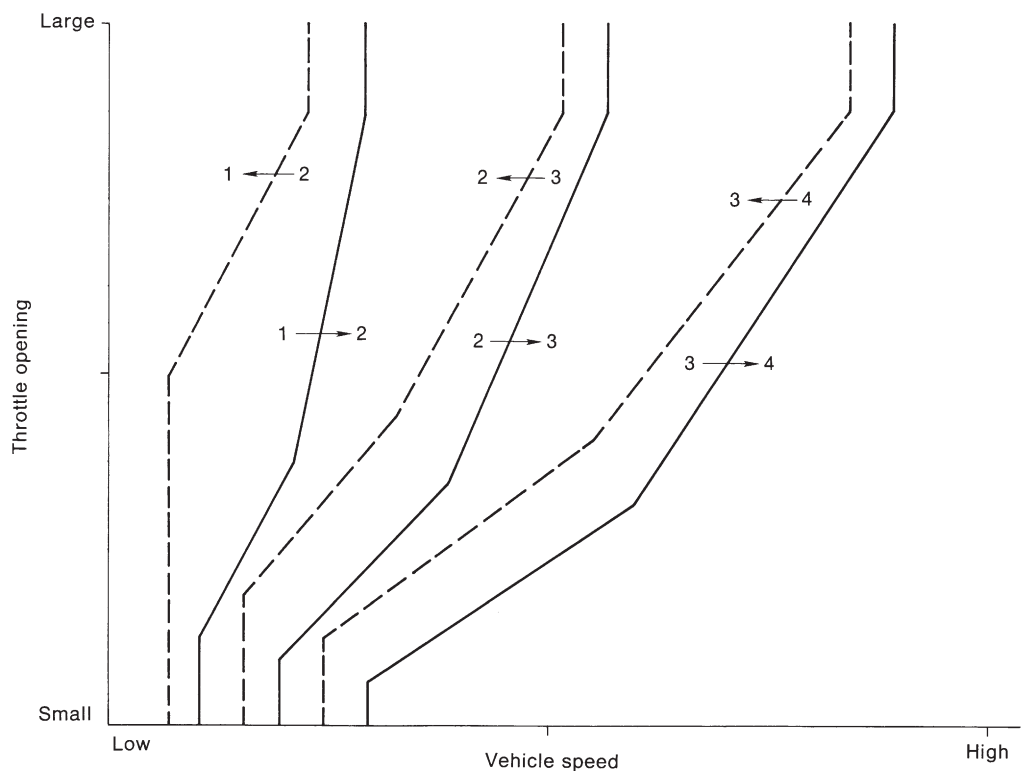
5. AUTOMATIC SHIFT CHARACTERISTICS

FWD model "D" range (Normal pattern)

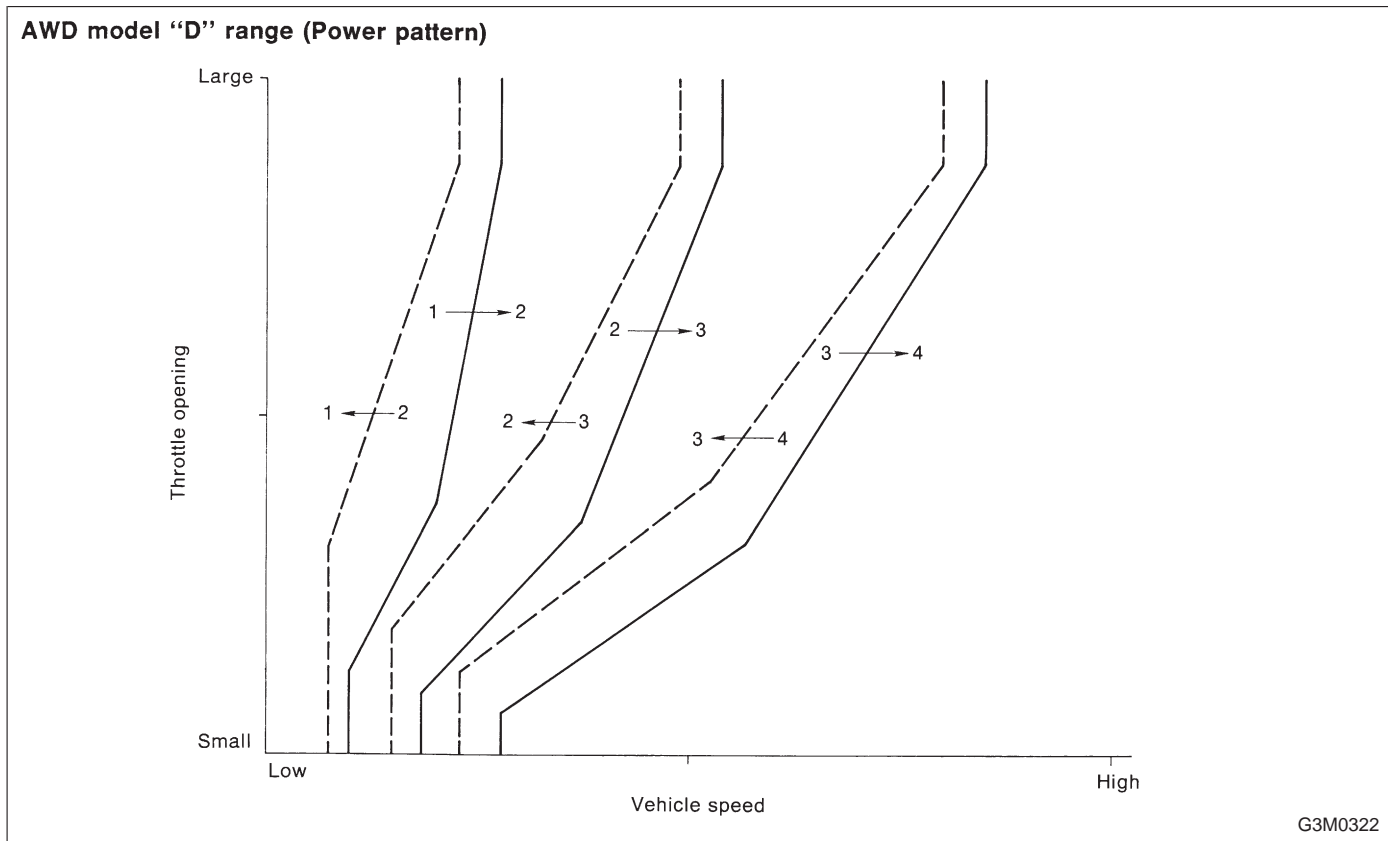
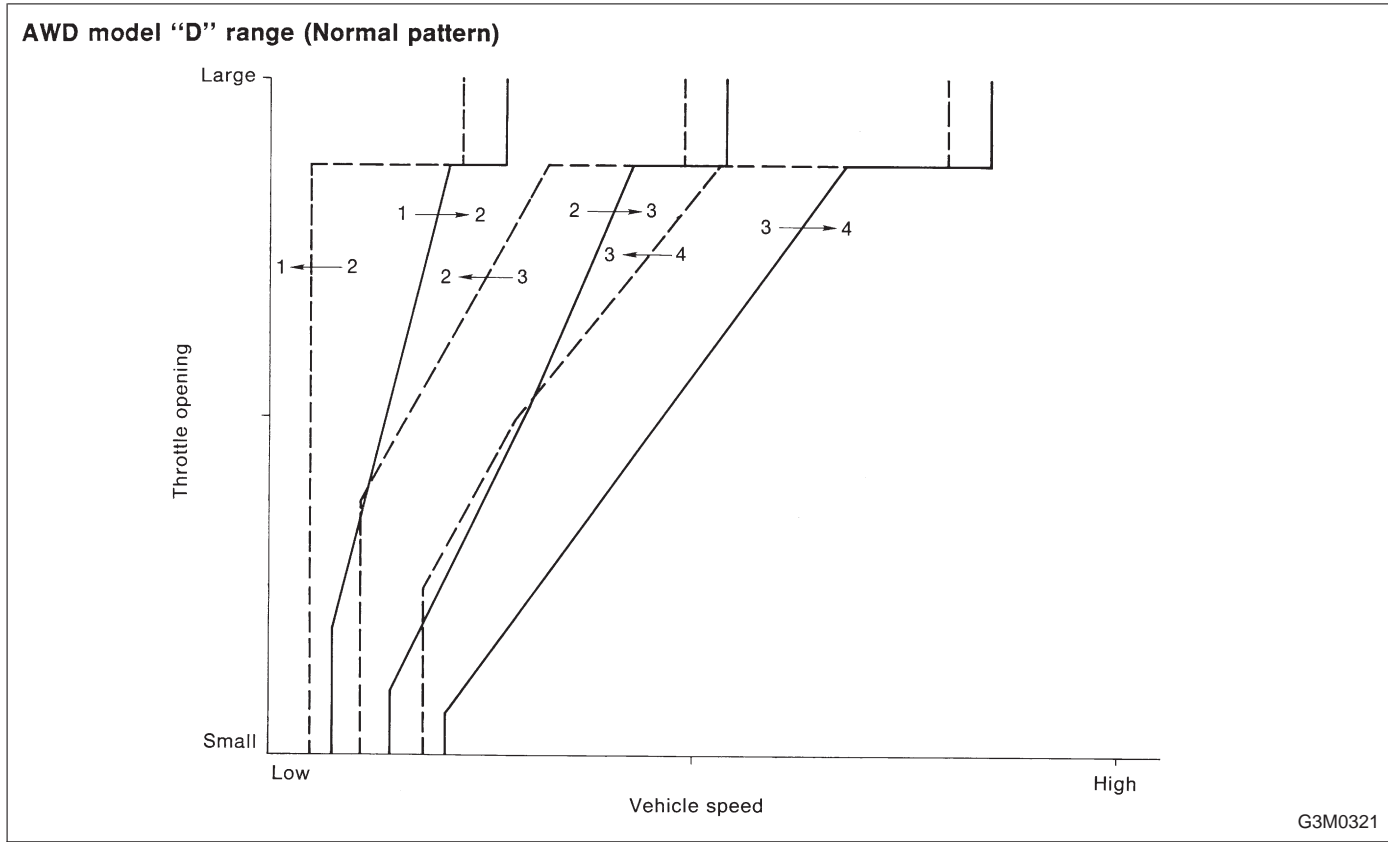


G3M0319

FWD model "D" range (Power pattern)



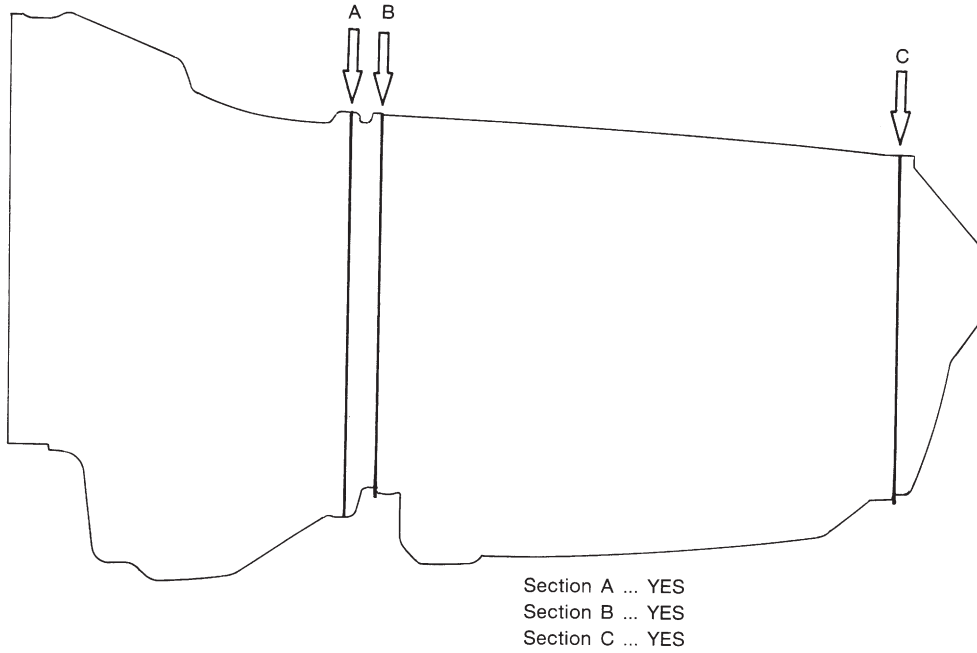
G3M0320



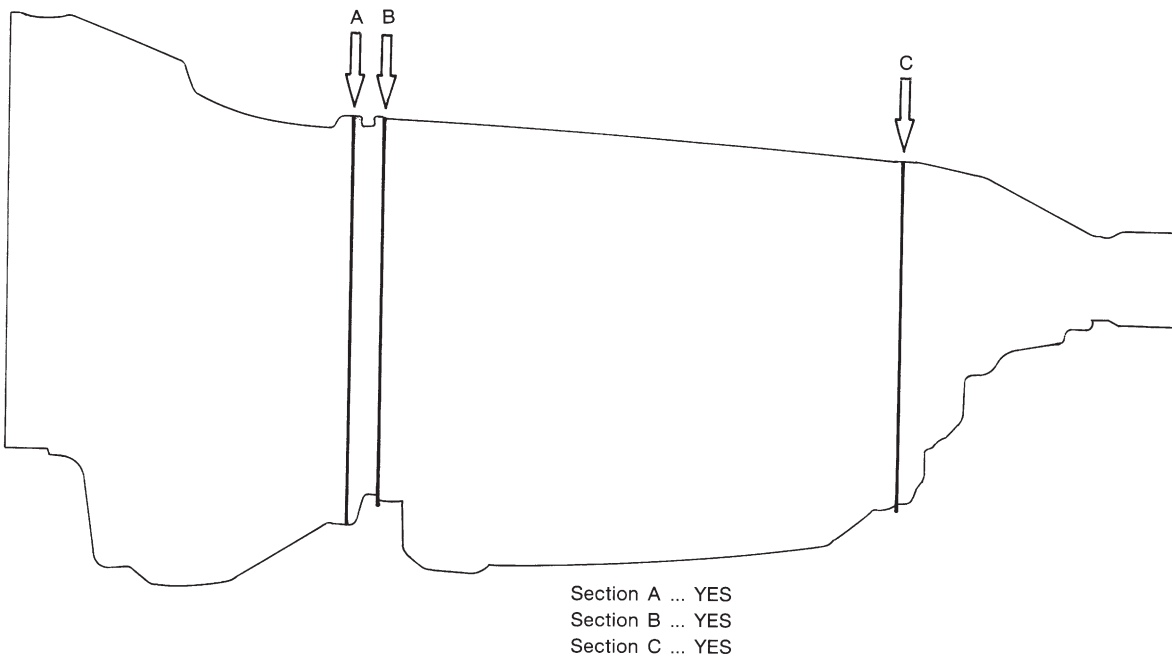
4. Overall Transmission

1. SECTIONS THAT CAN BE DETACHED/ASSEMBLED

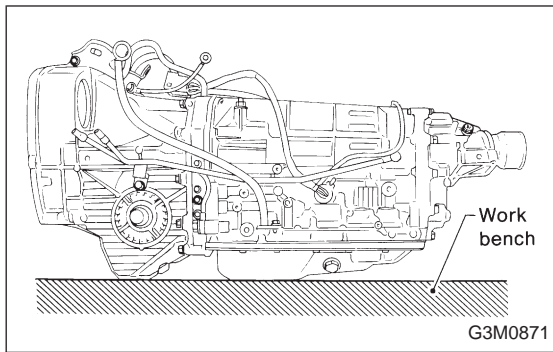
FWD



AWD



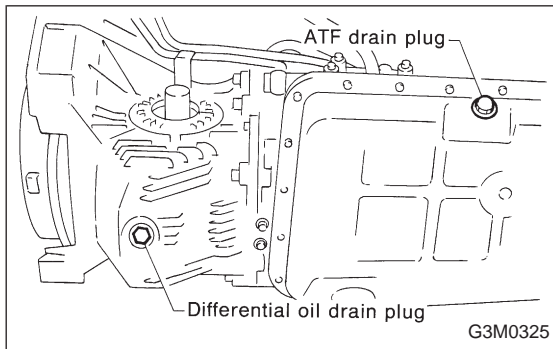
G3M0323

**A: DISASSEMBLY****1. EXTERNAL PARTS**

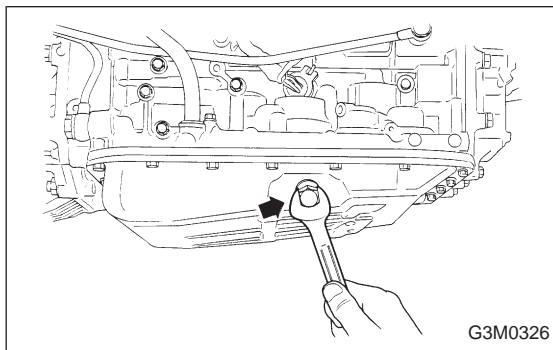
1) Place the transmission unit on a work bench, with the oil pan facing down.

CAUTION:

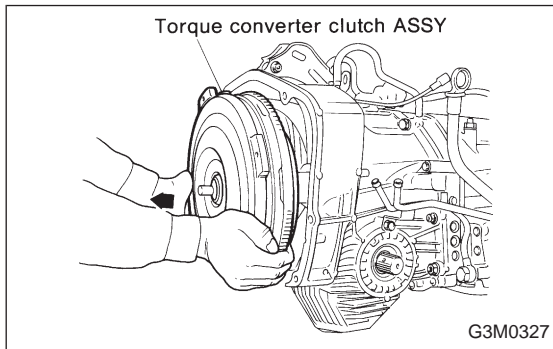
Be careful not to bend or damage external parts.



2) Remove the drain plug, and drain differential oil. Tighten the plug temporarily after draining.



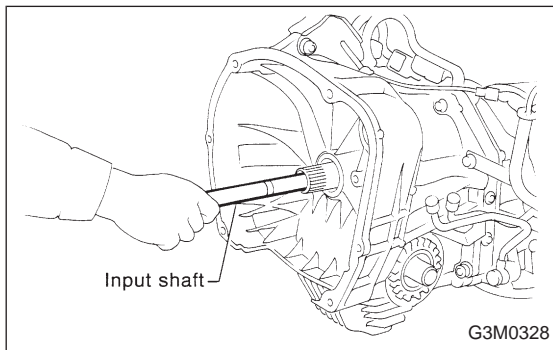
3) Remove the drain plug, and drain automatic transmission fluid (ATF). Tighten the plug temporarily after draining.



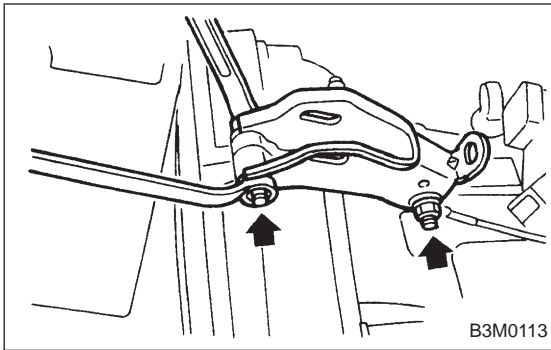
4) Extract the torque converter clutch assembly.

NOTE:

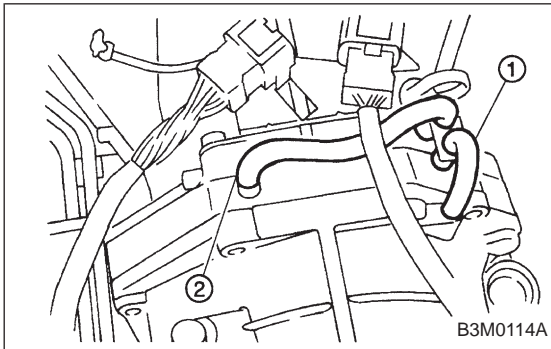
- Extract the torque converter clutch horizontally. Be careful not to scratch the bushing inside the oil pump shaft.
- Note that oil pump shaft also comes out.



5) Remove the input shaft.

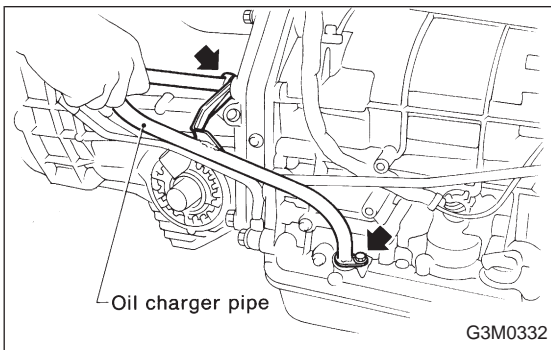


6) Remove the pitching stopper bracket.

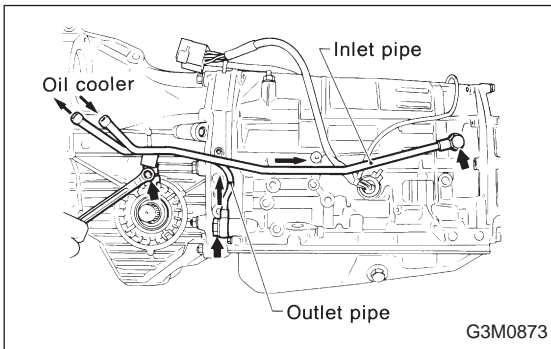


7) Disconnect the air breather hose.

- ① Air breather hose (Transmission case)
- ② Air breather hose (Oil pump housing)



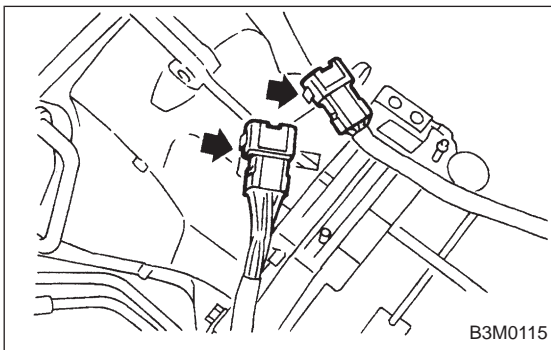
8) Remove the oil charger pipe, and remove the O-ring from the flange face. Attach the O-ring to the pipe.



9) Remove the oil cooler inlet and outlet pipes.

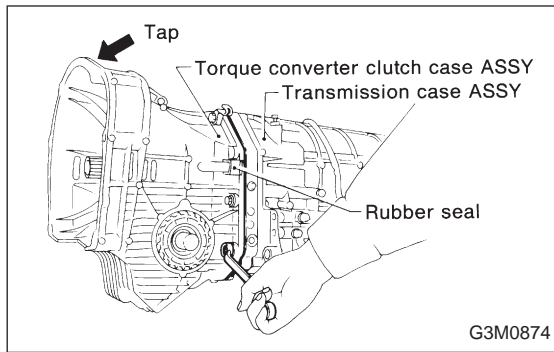
CAUTION:

When removing outlet pipes, be careful not to lose balls and springs used with retaining screws.



10) Remove harnesses from bracket.

4. Overall Transmission



2. SEPARATION OF EACH SECTION

1) Separation of torque converter clutch case and transmission case sections

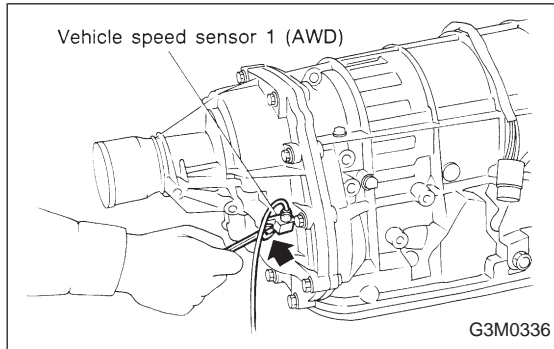
CAUTION:

● Be careful not to damage the oil seal and bushing inside the torque converter clutch case by the oil pump cover.

● Be careful not to lose the rubber seal.

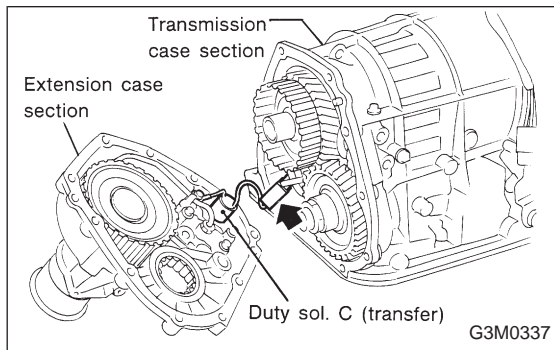
NOTE:

Separate these cases while tapping lightly on the housing.



2) Separation of transmission case and extension sections (AWD)

(1) Remove vehicle speed sensor 1.

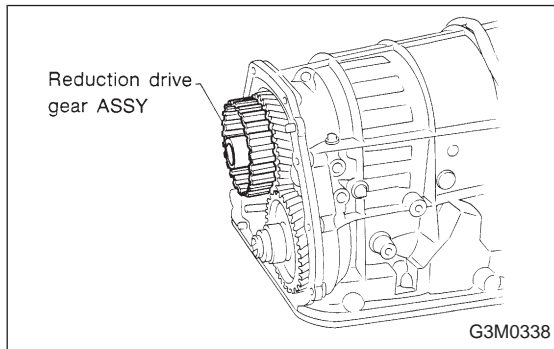


(2) While pulling the extension slightly, disconnect the connector for the duty solenoid C (transfer).

CAUTION:

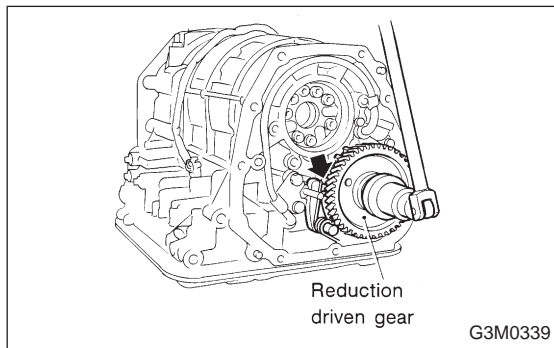
Be careful not to cut the harness.

3) Separate both sections.



3. TRANSMISSION CASE SECTION

1) Remove the reduction drive gear assembly.

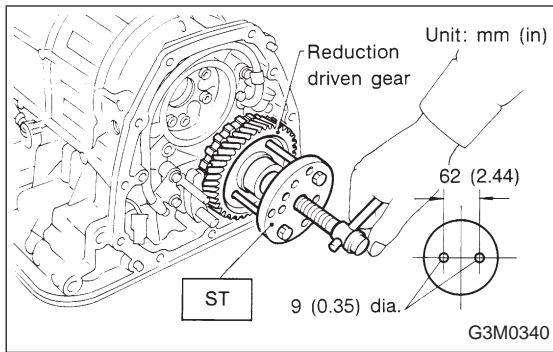


2) Remove the reduction driven gear.

(1) Straighten the staked portion, and remove the lock nut.

NOTE:

Set the range selector lever to "P".

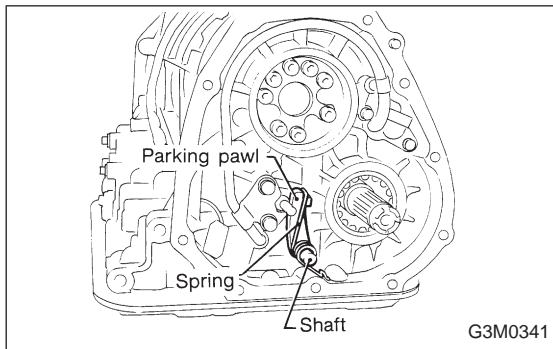


(2) Using the ST, extract the reduction driven gear.

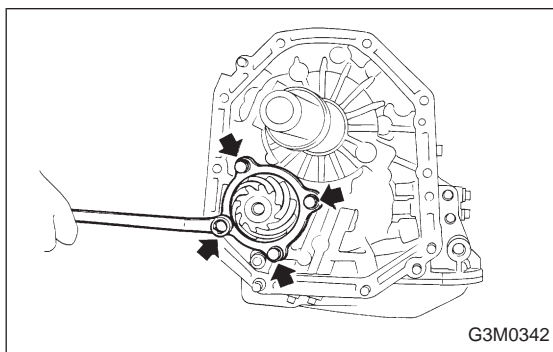
ST 899524100 PULLER SET

NOTE:

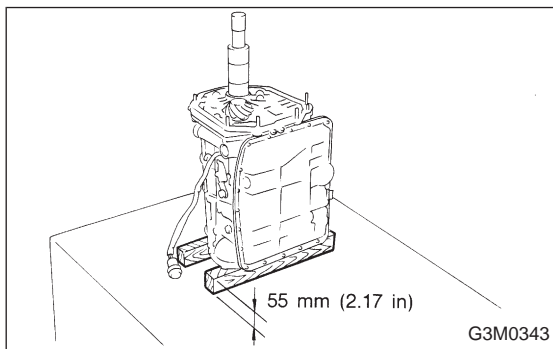
Drill two holes in the puller.



3) Remove the parking pawl, return spring and shaft.



4) Loosen the taper roller bearing mounting bolts.

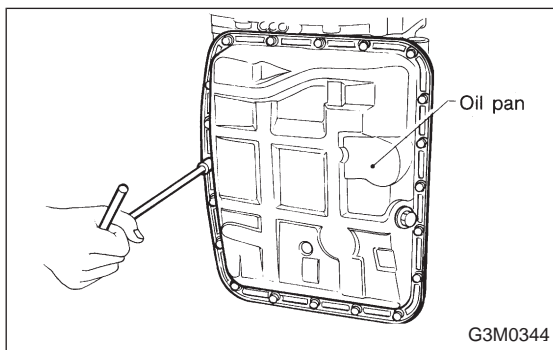


5) Place two wooden blocks on the workbench, and stand the transmission case with its rear end facing down.

CAUTION:

- Be careful not to scratch the rear mating surface of the transmission case.

- Note that the parking rod and drive pinion protrude from the mating surface.

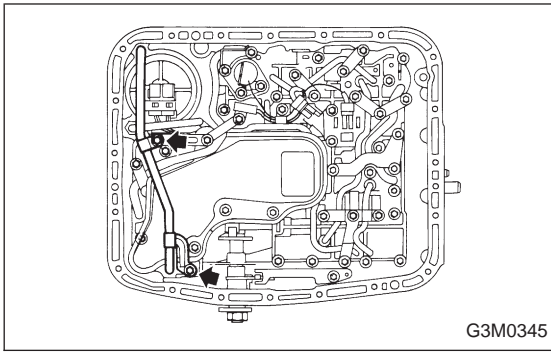


6) Remove the oil pan and gasket.

NOTE:

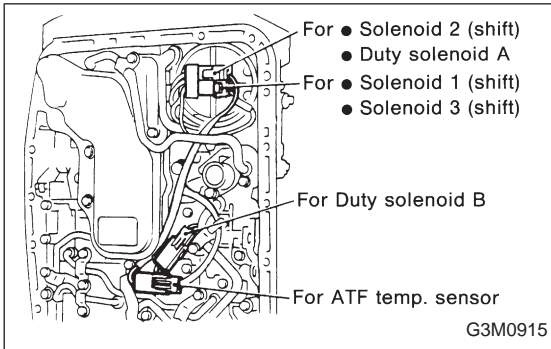
Tap the corners of the oil pan when removing.

4. Overall Transmission

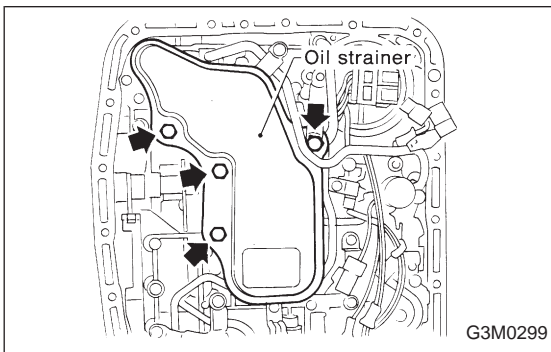


7) Remove the oil cooler outlet pipe.

CAUTION:
Be careful not to twist the pipe.

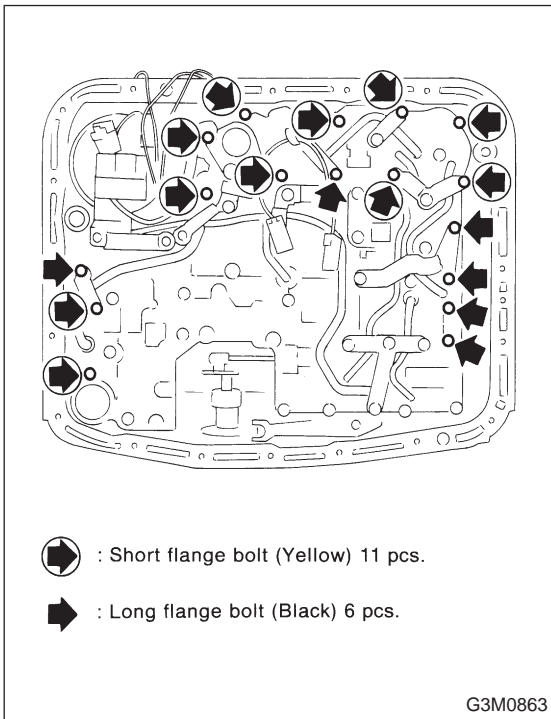


8) Disconnect the harness connectors for the solenoids and duty solenoids and the ground cord.

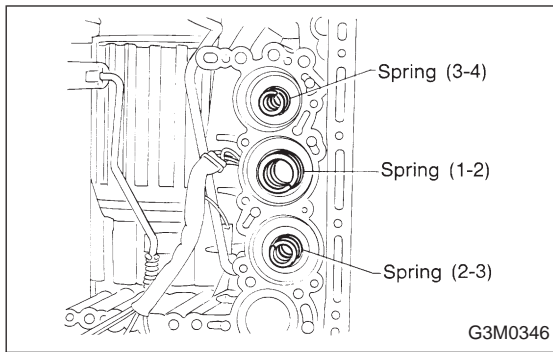


9) Remove the oil strainer.

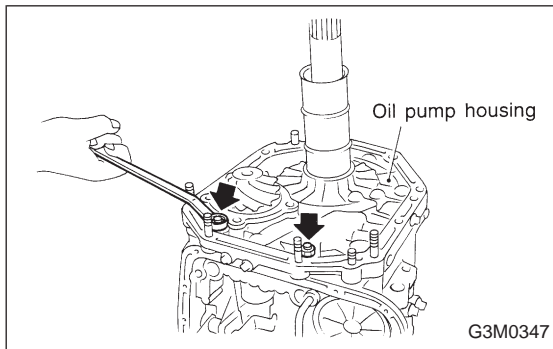
CAUTION:
Be careful not to damage O-ring on oil strainer.



10) Remove the control valve body and the two brackets.



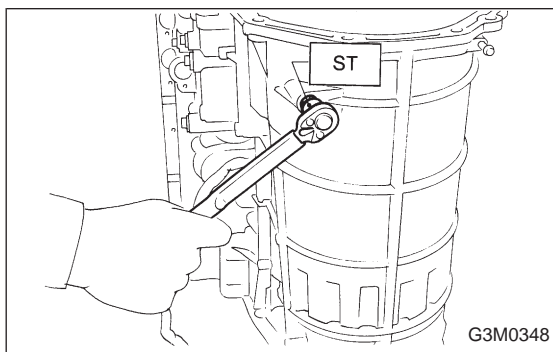
11) Remove the three accumulator springs.



12) Loosen the reverse clutch drum lightly by turning the adjusting screw. Then remove the oil pump housing.

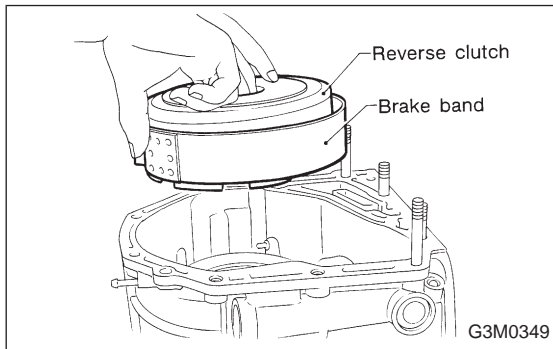
CAUTION:

Be careful not to lose the total end play adjusting thrust washer.



13) Loosen the brake band adjusting screw with ST, and take out the strut.

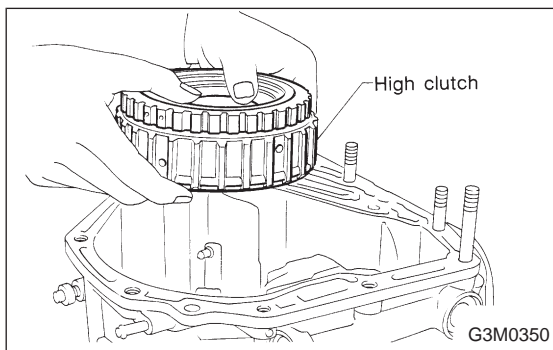
ST 398603610 SOCKET WRENCH



14) Remove the brake band and reverse clutch.

NOTE:

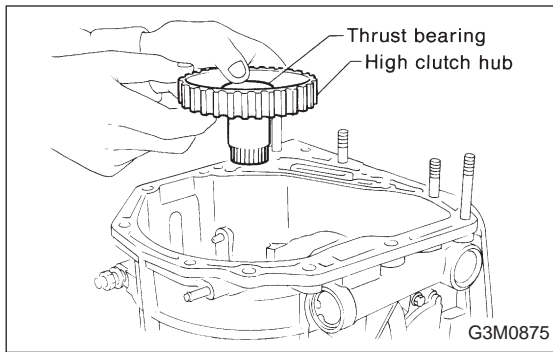
Contract the brake band with a clip.



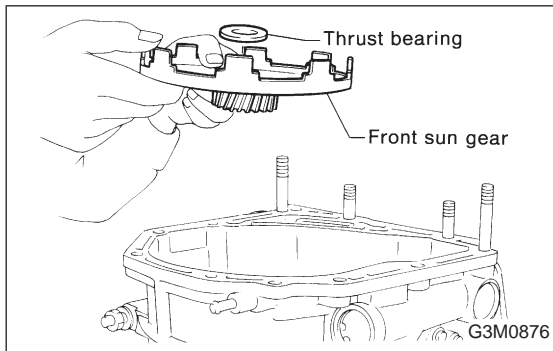
15) Take out the high clutch.

CAUTION:

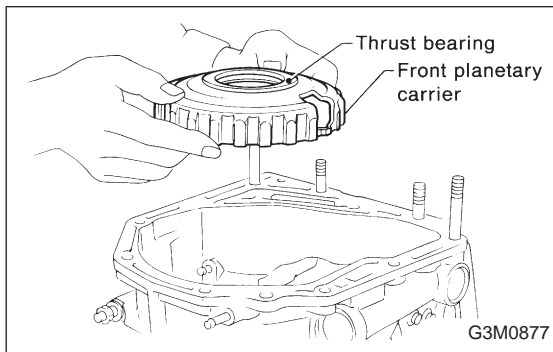
Thrust needle bearing and bearing race are removed together with high clutch. Be careful not to lose them.



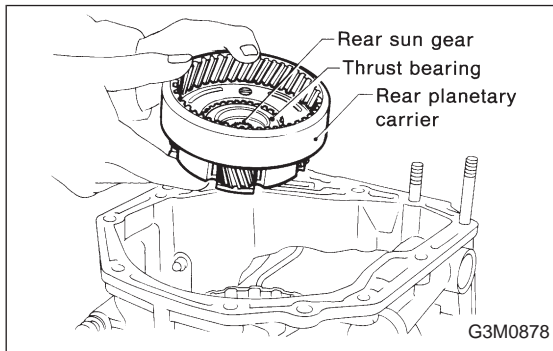
16) Take out the high clutch hub and the thrust bearing.



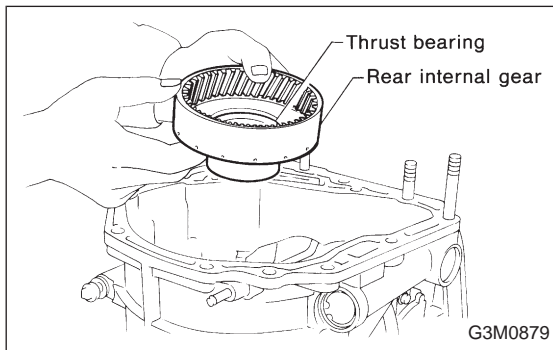
17) Take out the front sun gear and the thrust bearing.



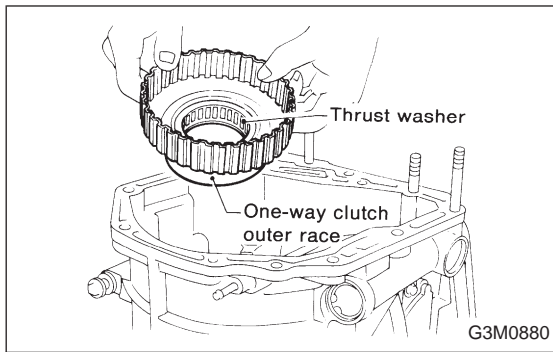
18) Take out the front planetary carrier and the thrust bearing.



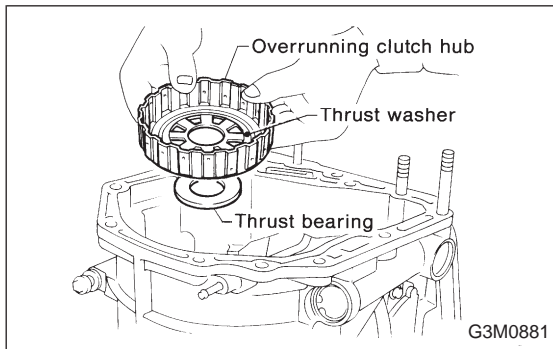
19) Take out the rear planetary carrier, rear sun gear and the thrust bearing.



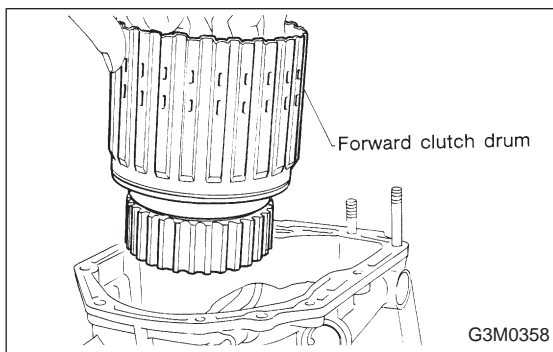
20) Take out the rear internal gear and the thrust bearing.



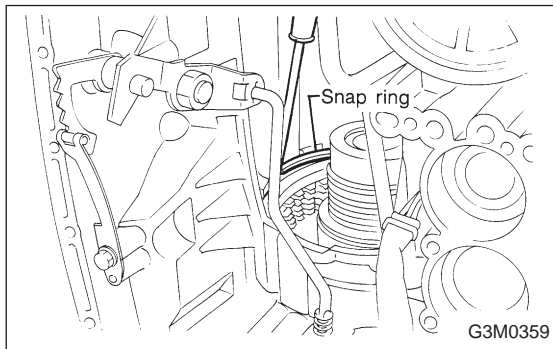
21) Take out the one-way clutch outer race and the thrust washer.



22) Take out the overrunning clutch hub, the thrust washer and the thrust bearing.

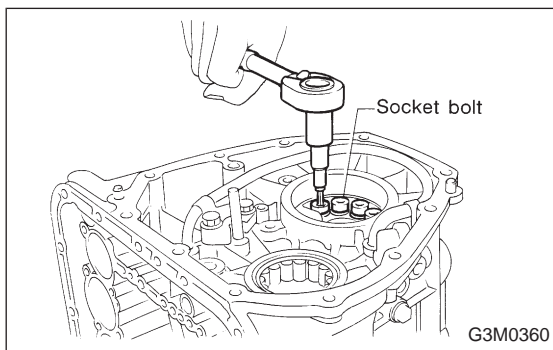


23) Take out the forward clutch drum.

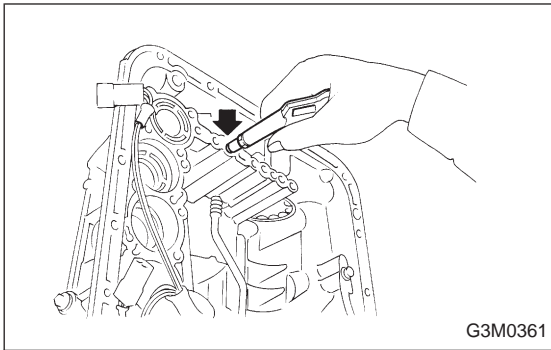


24) Take out the low & reverse brake section.

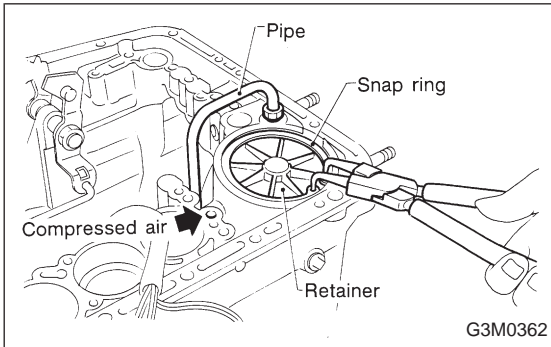
(1) Remove the snap ring. Then remove the retaining plate, drive plates, driven plates, and dish plates as a unit.



(2) Turning the case upside down, take out the one-way clutch inner race and spring retainer.



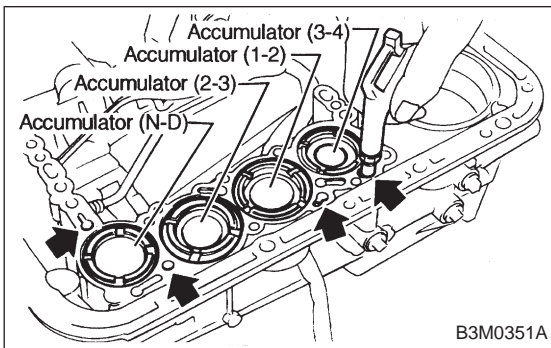
(3) Take out the low & reverse piston by applying compressed air.



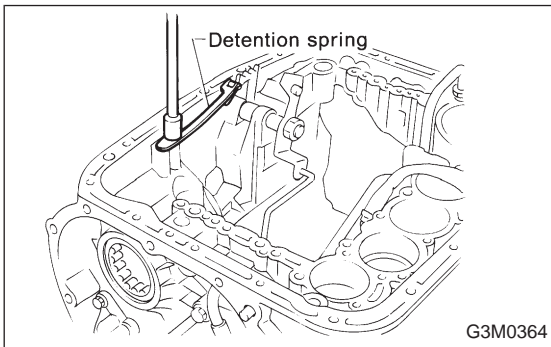
25) After removing the snap ring (inner), take out the servo piston by applying compressed air from the release pressure side.

CAUTION:

Hold the servo piston with a rag so that it will not be ejected with the air pressure. In this case, do not allow your finger to be pinched between the pipe and retainer.

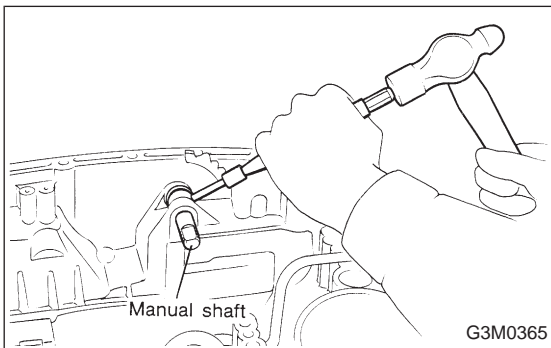


26) Apply compressed air from the operating pressure side, and take out accumulator (3-4), accumulator (1-2), accumulator (2-3), accumulator and spring (N-D).



27) Remove the range select lever.

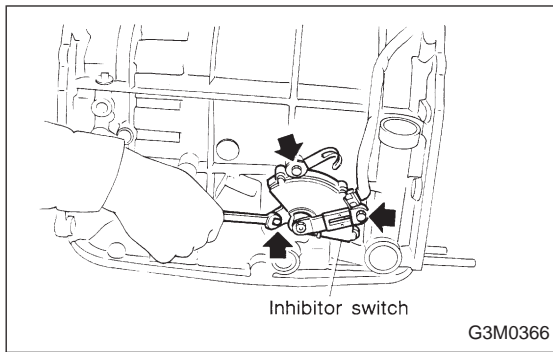
28) Remove the detention spring.



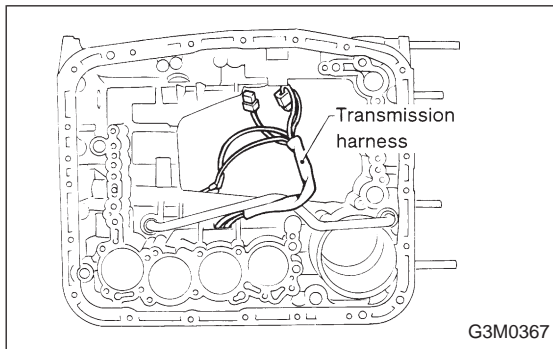
29) Remove the parking rod together with the manual lever. Then remove the manual shaft by pulling off the straight pin.

CAUTION:

Be careful not to damage the lips of the press-fitted oil seal in the case.

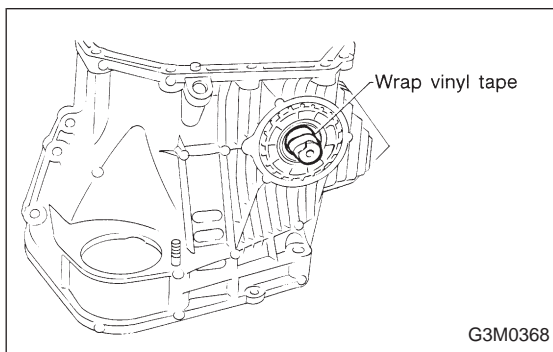


30) Remove the inhibitor switch.



31) Remove the transmission harness.

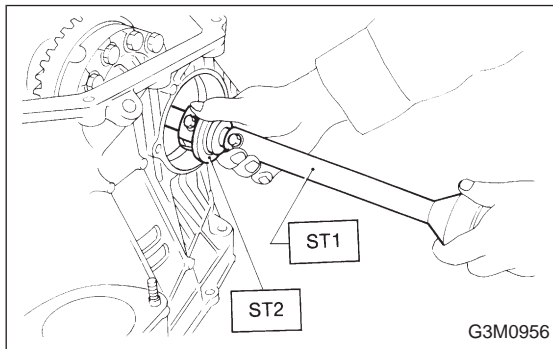
CAUTION:
Be careful not to damage the cord insulation.



4. TORQUE CONVERTER CLUTCH CASE SECTION

- 1) Wrap the axle shaft serration with vinyl tape.
 - 2) Remove the differential side retainer with ST.
- ST 499787000 WRENCH ASSY

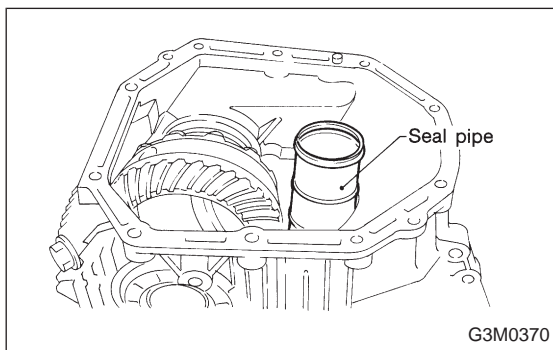
CAUTION:
Hold the differential case assembly by hand to avoid damaging retainer mounting hole of the torque converter clutch case and speedometer gears.



3) Extract the axle shaft with ST1 and ST2.

- ST1 499095500 REMOVER
ST2 499247300 INSTALLER

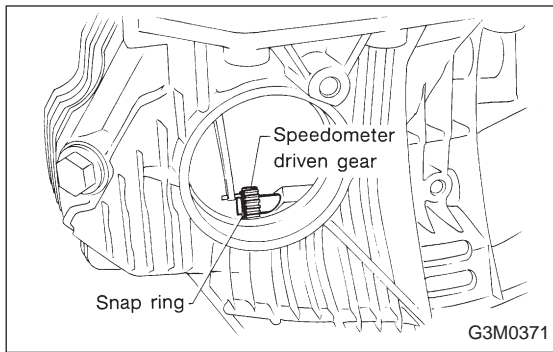
CAUTION:
Do not reuse the circlip.



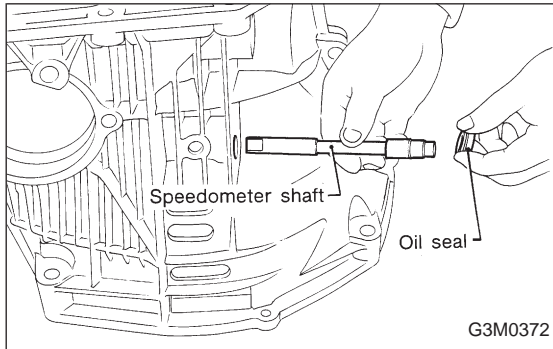
4) Remove the differential case assembly.

CAUTION:

- Remove the seal pipe if it is attached. (Reusing is not allowed.)
- Be careful not to damage the retainer mounting hole of the torque converter clutch case and the speedometer gears.

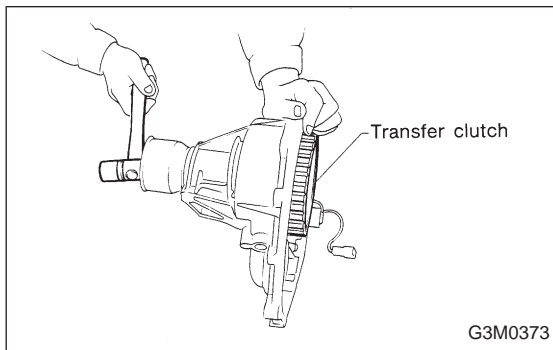


5) Remove the snap ring. Then remove the speedometer driven gear.



6) Remove vehicle speed sensor 2.

7) Tap out the speedometer shaft to the outside of the case, and remove the oil seal.

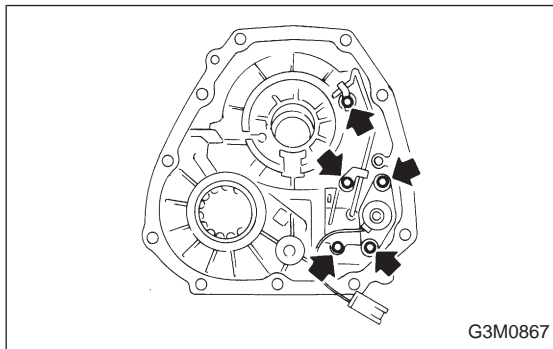


5. EXTENSION SECTION

1) Take out the transfer clutch by lightly tapping the end of the rear drive shaft.

CAUTION:

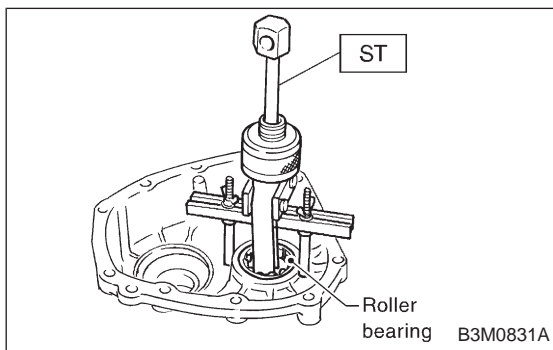
Be careful not to damage the oil seal in the extension.



2) Remove duty solenoid C, transfer valve body and the transfer pipe.

CAUTION:

- Take out the inlet filter.
- Do not damage the O-ring.
- Be careful not to bend the pipe.



3) Take out the roller bearing inner race with ST.

ST 398527700 PULLER

4) Take out the roller bearing outer race with ST.

NOTE:

Hook ST in the inner side of the roller bearing outer race.

ST 398527700 PULLER

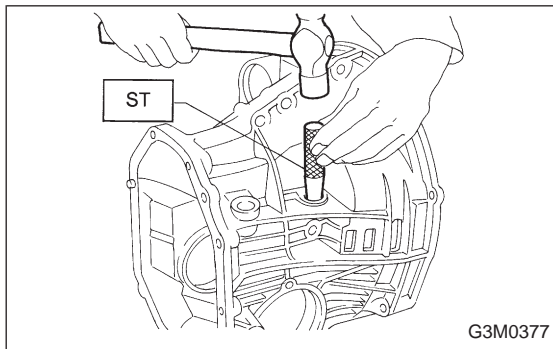
B: ASSEMBLY OF OVERALL TRANSMISSION

1. TORQUE CONVERTER CLUTCH CASE SECTION

1) Check the appearance of each component and clean.

CAUTION:

Make sure each part is free of harmful cuts, damage and other faults.



2) Install the washer and snap ring to the speedometer shaft with ST, and set the oil seal. Then force-fit the shaft to the torque converter clutch case.

ST 499827000 PRESS

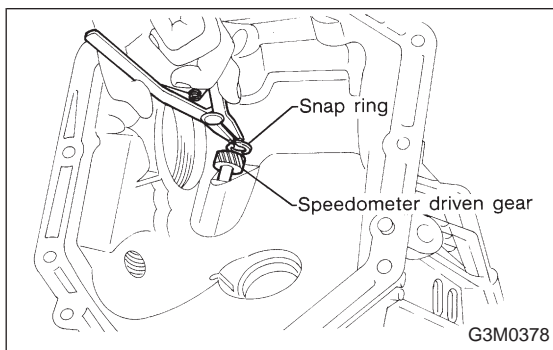
3) Install vehicle speed sensor 2.

CAUTION:

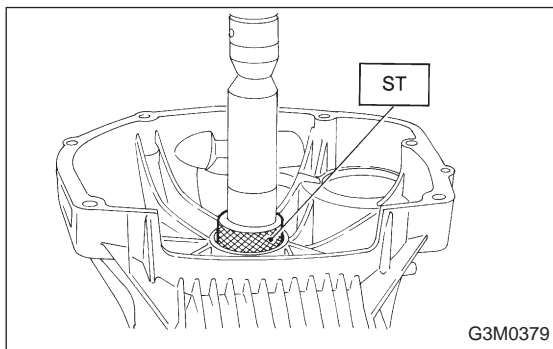
Use new vehicle speed sensor 2, if it has been removed.

Tightening torque:

5.9±1.5 N·m (60±15 kg·cm, 52±13 in·lb)

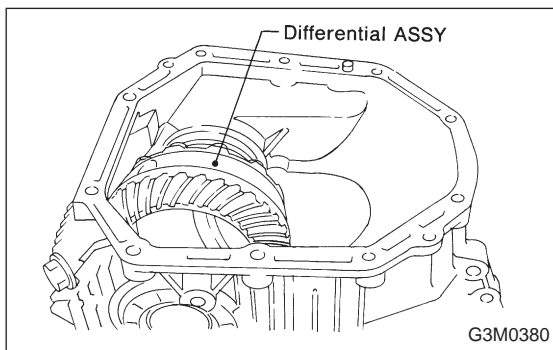


4) Install the speedometer driven gear to the speedometer shaft, and secure with a snap ring.



5) Force-fit the oil seal to the torque converter clutch case with ST.

ST 398437700 DRIFT



6) Install the differential assembly to the case, paying special attention not to damage the speedometer gears (drive and driven) and the inside of the case (particularly, the differential side retainer contact surface).

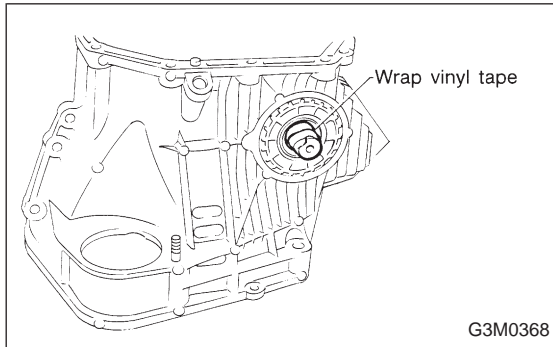
7) Install the circlip to the axle shaft, insert the shaft into the differential assembly, and tap it into position with a plastic hammer.

Thrust play:

Approx. 0.3 — 0.5 mm (0.012 — 0.020 in)

CAUTION:

- If no play is felt, check whether the shaft is fully inserted. If shaft insertion is correct, replace the axle shaft.
- Be sure to use a new circlip.

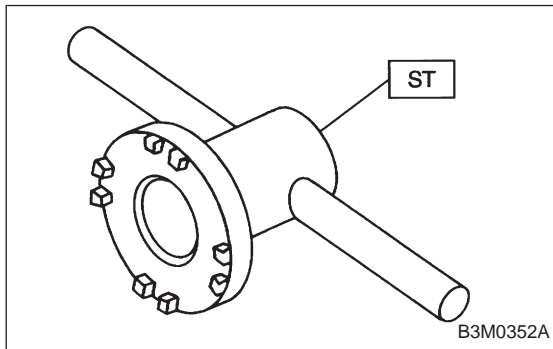


8) Wrap vinyl tape around the splined portion of the axle shaft.

9) Install the oil seal and outer race (taper roller bearing) to the differential side retainer. Then screw in the retainer and the O-ring after coating the threads with oil.

CAUTION:

- Pay attention not to damage the oil seal lips.
- Do not confuse the RH and LH oil seals.
- Keep the O-ring removed from the retainer.

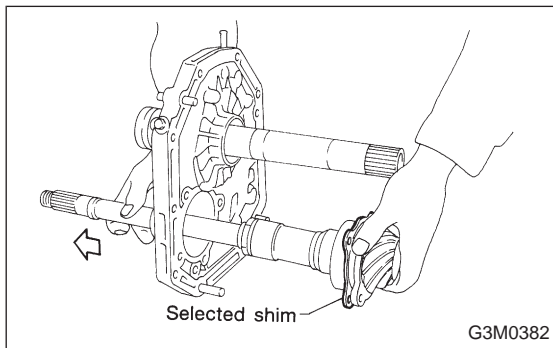


10) Using the ST, screw in the retainer until light contact is felt.

ST 499787000 WRENCH ASSY

NOTE:

Screw in the RH side slightly deeper than the LH side.

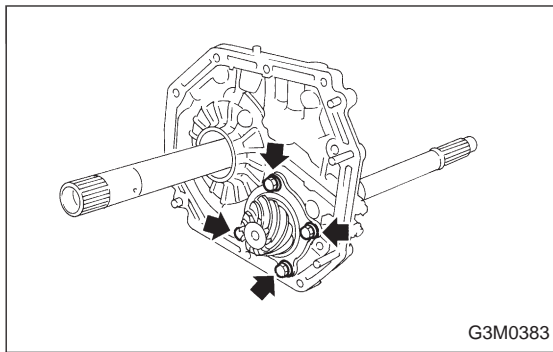


11) Hypoid gear backlash adjustment and tooth contact check

(1) Assemble the drive pinion assembly to the oil pump housing.

CAUTION:

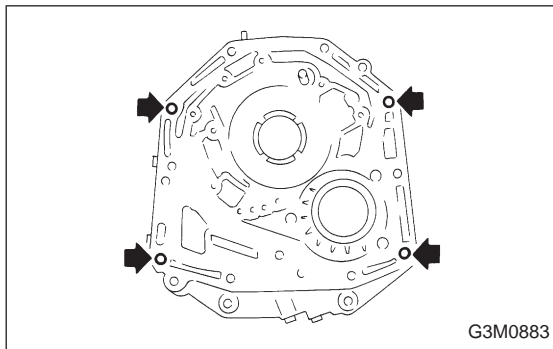
- Be careful not to bend the shims. <Ref. to 3-2 [W8C0].>
- Be careful not to force the pinion against the housing bore.



(2) Tighten four bolts to secure the roller bearing.

Tightening torque:

39±3 N·m (4.0±0.3 kg-m, 28.9±2.2 ft-lb)



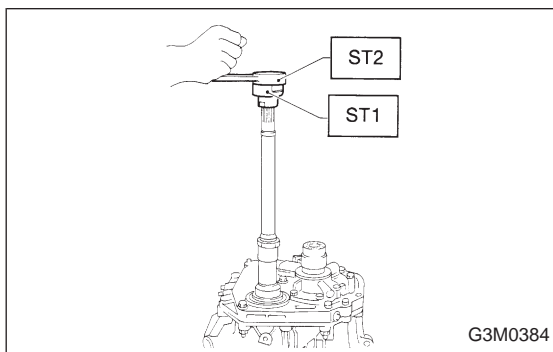
(3) Install the oil pump housing assembly to the torque converter clutch case, and secure evenly by tightening four bolts.

Tightening torque:

41±3 N·m (4.2±0.3 kg-m, 30.4±2.2 ft-lb)

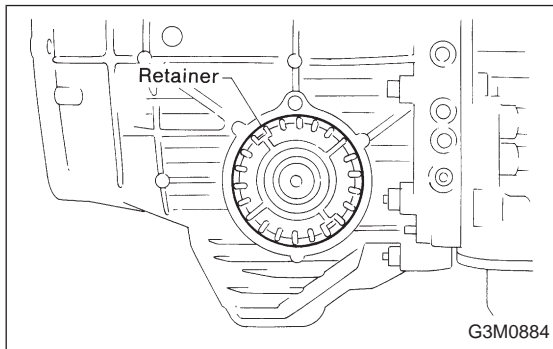
CAUTION:

- Thoroughly remove the liquid gasket from the case mating surface beforehand.
- Use an old gasket or an aluminum washer so as not to damage the mating surface of the housing.

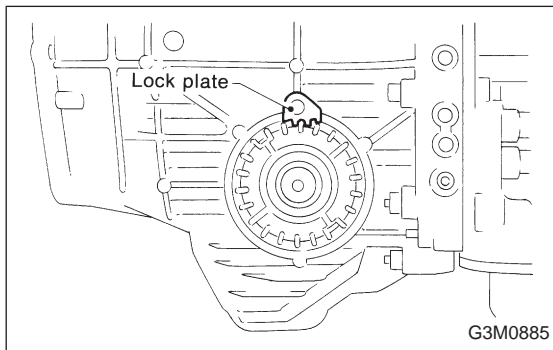


(4) Rotate the drive pinion several times with ST1 and ST2.

- | | | |
|-----|-----------|--------|
| ST1 | 498937100 | HOLDER |
| ST2 | 499787100 | WRENCH |



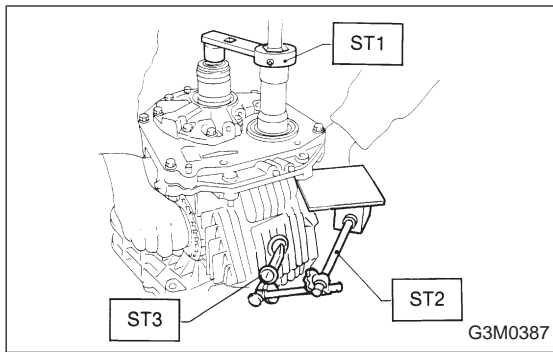
(5) Tighten the LH retainer until contact is felt while rotating the shaft. Then loosen the RH retainer. Keep tightening the LH retainer and loosening the RH retainer until the pinion shaft can no longer be turned. This is the “zero” state.



(6) After the “zero” state is established, back off the LH retainer 3 notches and secure it with the lock plate. Then back off the RH retainer and retighten until it stops. Repeat this procedure several times. Tighten the RH retainer 1-3/4 notches further. This sets the preload. Finally, secure the retainer with its lock plate.

NOTE:

Turning the retainer by one tooth changes the backlash about 0.05 mm (0.0020 in).



(7) Turn the drive pinion several rotations with ST1 and check to see if the backlash is within the standard value with ST2 and ST3.

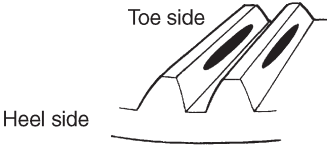


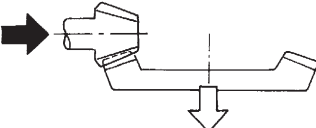
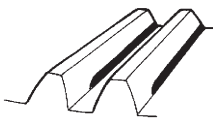
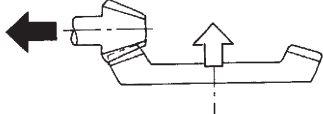
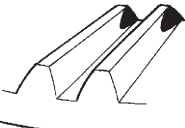
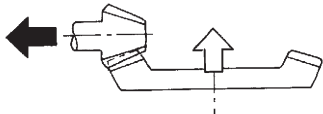

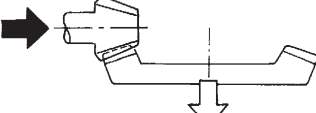
ST1 499787100 WRENCH
ST2 498247001 MAGNET BASE
ST3 498247100 DIAL GAUGE

Backlash:

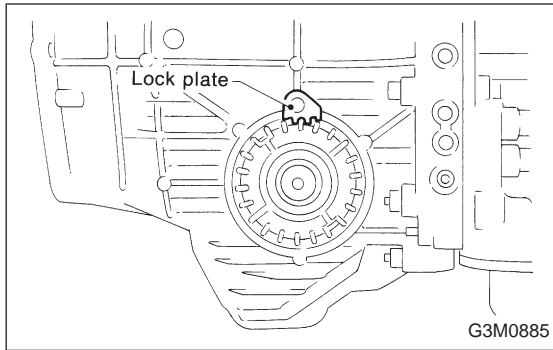
0.13 — 0.18 mm (0.0051 — 0.0071 in)

After confirming that the backlash is correct, check the tooth contact.

(8) Apply red lead evenly to the surfaces of three or four teeth of the crown gear. Rotate the drive pinion in the forward and reverse directions several times. Then remove the oil pump housing, and check the tooth contact pattern.
If tooth contact is improper, readjust the backlash or shim thickness.

Checking item	Contact pattern	Corrective action
<p>Tooth contact Tooth contact pattern is slightly shifted toward to under no-load rotation. [When loaded, contact pattern moves toward heel.]</p>	 <p>B3M0317A</p>	
<p>Face contact Backlash is too large.</p>	<p>This may cause noise and chipping at tooth ends.</p>  <p>B3M0319</p>	<p>Increase thickness of drive pinion height adjusting shim in order to bring drive pinion close to crown gear.</p>  <p>B3M0323</p>
<p>Flank contact Backlash is too small.</p>	<p>This may cause noise and stepped wear on surfaces.</p>  <p>B3M0320</p>	<p>Reduce thickness of drive pinion height adjusting shim in order to move drive pinion away from crown gear.</p>  <p>B3M0324</p>
<p>Toe contact (Inside end contact) Contact areas is small.</p>	<p>This may cause chipping at toe ends.</p>  <p>B3M0321</p>	<p>Adjust as for flank contact.</p>  <p>B3M0324</p>
<p>Heel contact (Outside end contact) Contact area is small.</p>	<p>This may cause chipping at heel ends.</p>  <p>B3M0322</p>	<p>Adjust as for face contact.</p>  <p>B3M0323</p>

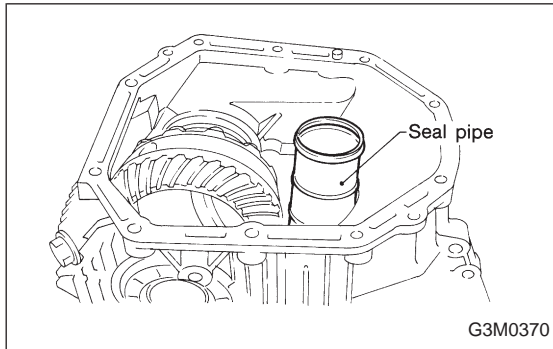
➡ : Adjusting direction of drive pinion
⇨ : Adjusting direction of crown gear



(9) If tooth contact is correct, mark the retainer position and loosen it. After fitting the O-ring, screw in the retainer to the marked position. Then tighten the lock plate to the specified torque.

Tightening torque:

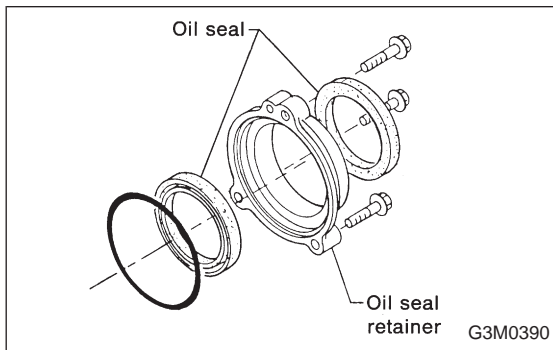
25 ± 2 N·m (2.5 ± 0.2 kg·m, 18.1 ± 1.4 ft·lb)



12) Install the seal pipe to the torque converter clutch case.

CAUTION:

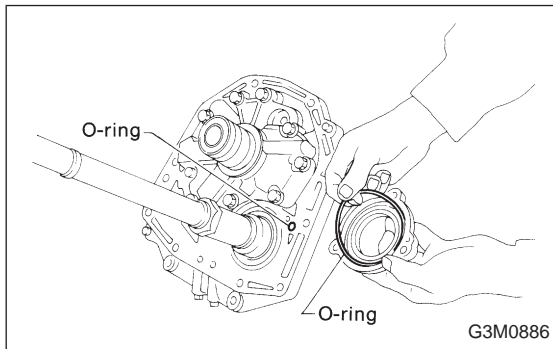
Be sure to use a new seal pipe.



13) Install two oil seals to the oil seal retainer with ST. ST 499247300 INSTALLER

CAUTION:

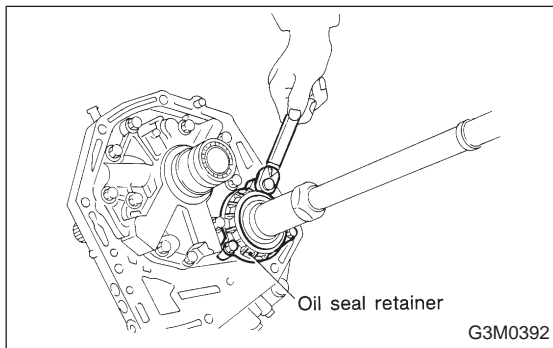
- Always discard old oil seals, and install new ones.
- Pay attention to the orientation of the oil seals.



14) Attach the O-ring to the oil seal retainer with vaseline. Install the seal to the oil pump housing bore.

CAUTION:

Always discard old O-rings and install new ones.



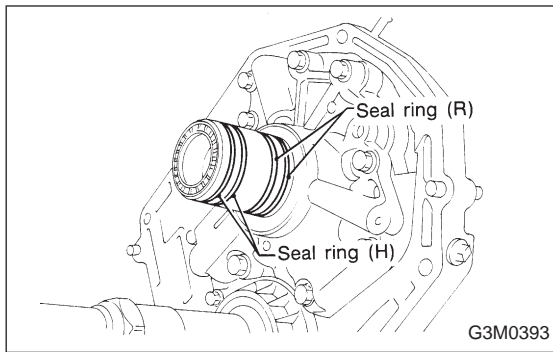
15) Install the oil seal retainer taking care not to damage the oil seal lips. Then secure with three bolts.

NOTE:

Make sure the O-ring is fitted correctly in position.

Tightening torque:

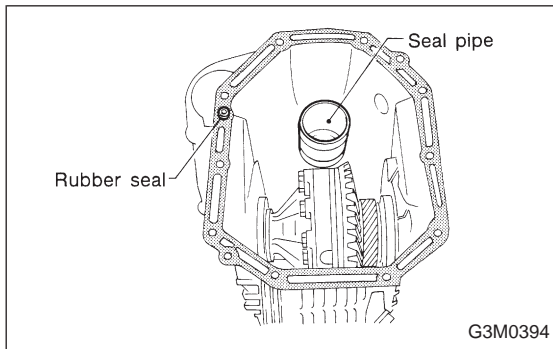
7 ± 1 N·m (0.7 ± 0.1 kg·m, 5.1 ± 0.7 ft·lb)



16) Apply vaseline to the groove on the oil pump cover, and install two (R) seal rings and two (H) seal rings.

NOTE:

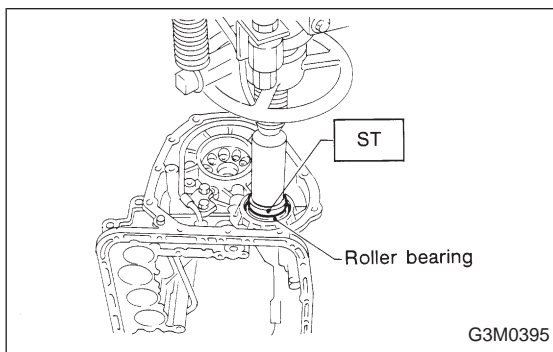
- Fit the seal ring after compressing, and rub vaseline into the seal ring to avoid expansion.
- The “R” seal ring has a large diameter, while “H” has small diameter.



17) Install the rubber seal to the torque converter clutch case.

CAUTION:

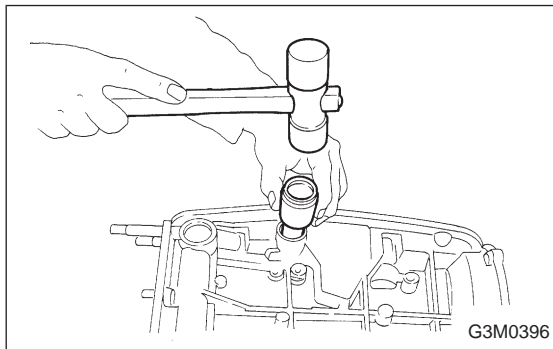
Be careful not to lose the rubber seal.



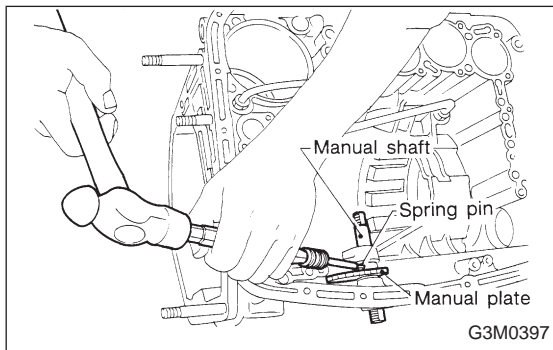
2. TRANSMISSION CASE SECTION

1) Press-fit the roller bearing to the transmission case with ST.

ST 398487700 DRIFT



2) Using a plastic hammer, force-fit the oil seal.



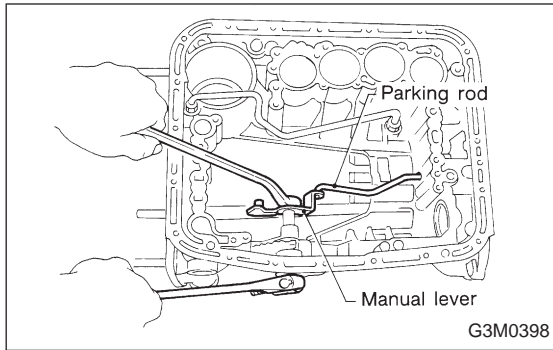
3) Install the manual plate and shaft, and secure with a spring pin.

CAUTION:

Be careful not to damage the oil seal lip.

NOTE:

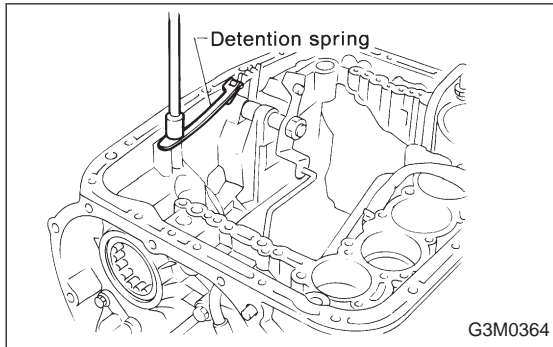
After installation, make sure of smooth movement.



4) Assemble the manual lever and parking rod to the inside shaft, and secure with a nut.

Tightening torque:

$47 \pm 2 \text{ N}\cdot\text{m}$ ($4.8 \pm 0.2 \text{ kg}\cdot\text{m}$, $34.7 \pm 1.4 \text{ ft}\cdot\text{lb}$)



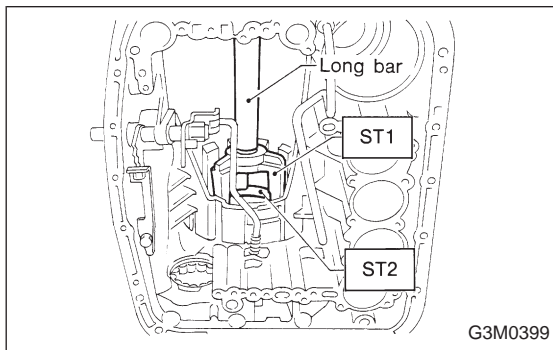
5) Install the detention spring.

NOTE:

Position the spring so that its center is aligned with the center of the manual plate.

Tightening torque:

$6 \pm 1 \text{ N}\cdot\text{m}$ ($0.6 \pm 0.1 \text{ kg}\cdot\text{m}$, $4.3 \pm 0.7 \text{ ft}\cdot\text{lb}$)



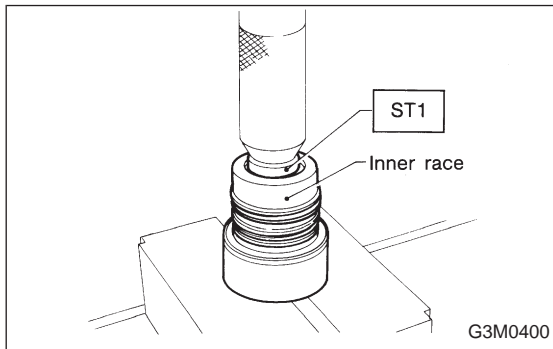
6) Install the lathe cut seal rings to the I.D./O.D. of the low and reverse piston. Then install the piston into the case with a press, ST1 and ST2.

ST1 398673600 COMPRESSOR

ST2 498627000 SEAT

CAUTION:

- Be careful not to tilt the piston when installing.
- Be careful not to damage the lip seal.



7) Install the one-way clutch inner race.

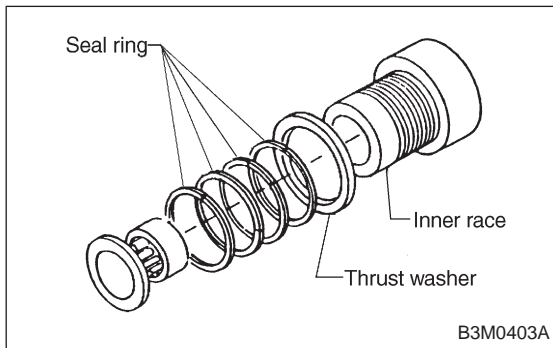
(1) Using a press and ST1, install the needle bearing to the inner race.

ST1 398497701 INSTALLER

NOTE:

Use the following ST when removing.

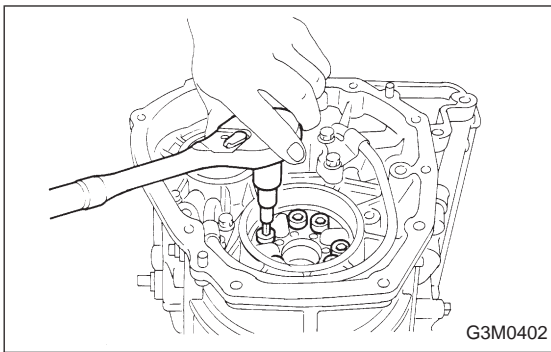
ST 398527700 PULLER ASSY



(2) Install four seal rings and thrust washer.

NOTE:

Apply vaseline to the groove of the inner race and to the seal ring after installation, so that the seal ring will not expand.



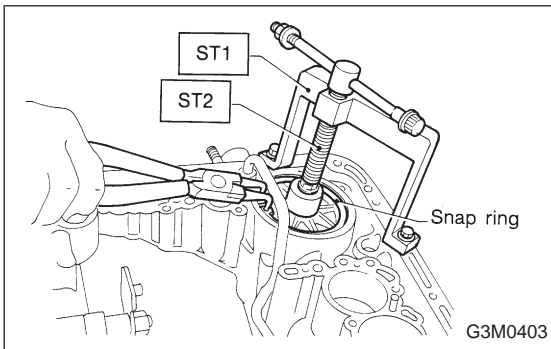
(3) Place the spring retainer on the inner race. Install the spring to the recessed portion of the piston. Then tighten eight socket head bolts from the rear side of the transmission case.

Tightening torque:

25±2 N·m (2.5±0.2 kg-m, 18.1±1.4 ft-lb)

CAUTION:

Be sure to tighten evenly.



8) Install the band servo sub assembly.

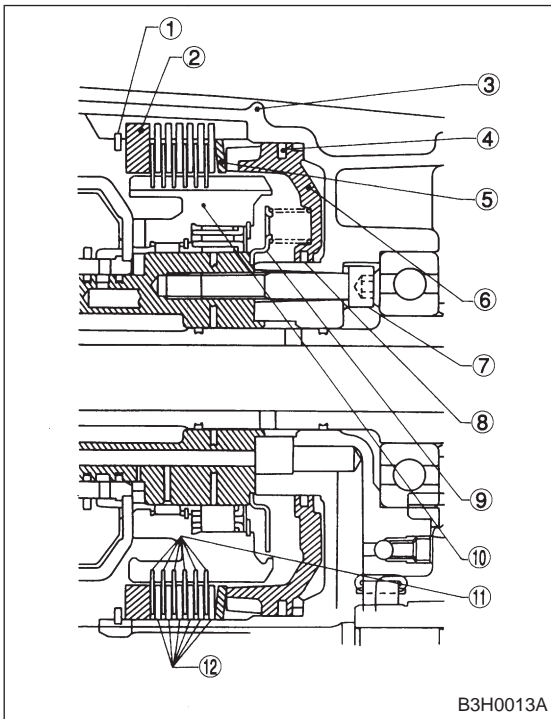
9) Press the O.D. servo retainer into position with ST1 and ST2, and secure with a snap ring.

ST1 498677010 COMPRESSOR

ST2 399703600 PULLER ASSY

CAUTION:

Perform the following operations with the transmission case set vertically on wooden blocks.



10) Installation of the low & reverse brake:

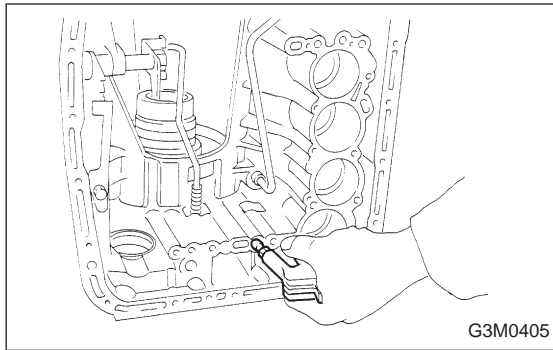
(1) Install dish plate, driven plates, drive plates, and a retaining plate, and secure with a snap ring.

NOTE:

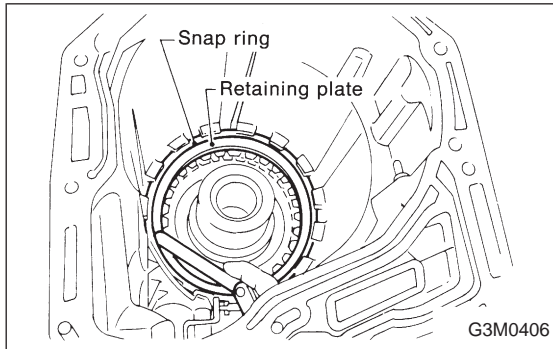
- Pay attention to the orientation of the dish plate.
- Driven plate : 6
- Drive plate : 6
- Dish plate : 1

- ① Snap ring
- ② Retaining plate
- ③ Transmission case
- ④ Lathe cut seal ring
- ⑤ Dish plate
- ⑥ Piston
- ⑦ Bolt
- ⑧ Lathe cut seal ring
- ⑨ Clutch spring retainer
- ⑩ Forward clutch drum
- ⑪ Drive plate
- ⑫ Driven plate

4. Overall Transmission



(2) Apply compressed air intermittently to check for operation.



(3) Check the clearance. (Selection of retaining plate)

Standard value:

1.1 — 1.7 mm (0.043 — 0.067 in)

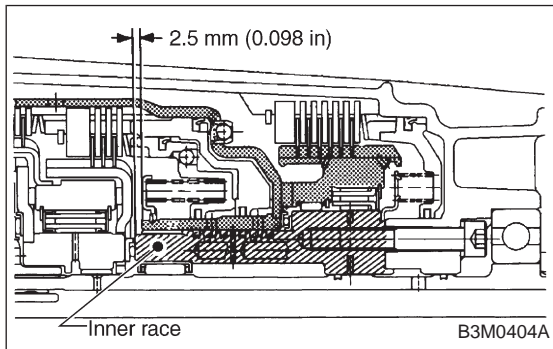
Allowable limit:

2.7 mm (0.106 in)

NOTE:

Before measuring clearance, place the same thickness of shim on both sides to prevent retaining plate from tilting.

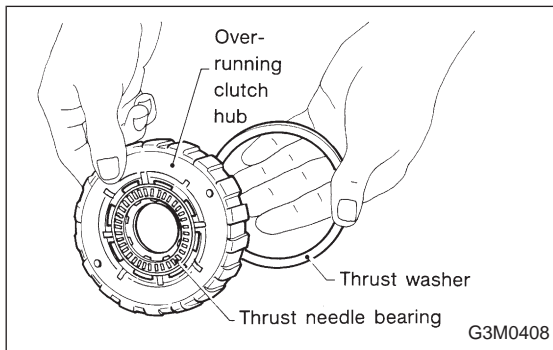
● Available retaining plates	Part No.	Thickness mm (in)
	31667AA180	6.5 (0.256)
31667AA190	6.8 (0.268)	
31667AA200	7.1 (0.280)	
31667AA210	7.4 (0.291)	
31667AA220	7.7 (0.303)	
31667AA230	8.0 (0.315)	
31667AA240	8.2 (0.323)	
31667AA250	8.4 (0.331)	



11) Install the forward clutch drum.

(1) Install carefully while rotating the drum slowly paying special attention not to damage the seal ring.

(2) Installation is complete when the drum recedes 2.5 mm (0.098 in) from the inner race surface.



12) Assemble the overrunning clutch hub.

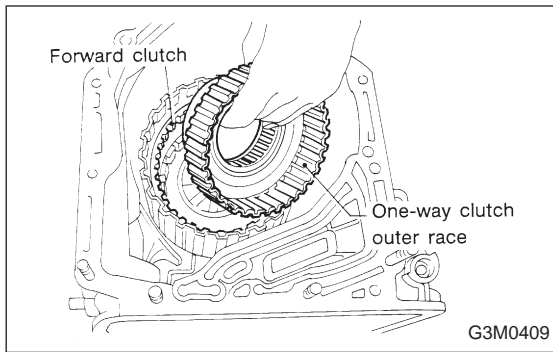
CAUTION:

Install thrust needle bearing in the correct direction.
<Ref. to 3-2 [S1C0].>

NOTE:

● Join the thrust needle bearing and thrust washer with vaseline, and then install them together.

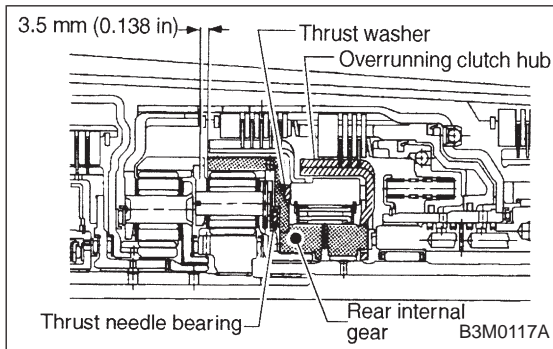
● Make sure that the splines are engaged correctly.



13) Install the one-way clutch outer race.

NOTE:

Make sure the forward clutch splines are engaged correctly.



14) Assemble the rear internal gear.

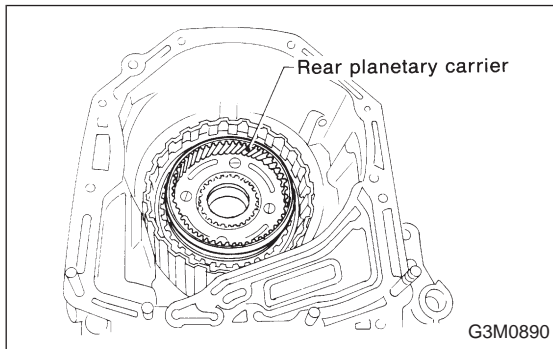
- (1) Join the thrust needle bearing and thrust washer to the gear with vaseline, and install the gear while rotating it.
- (2) Securely engage the bearing with the dog of the overrunning clutch hub.

CAUTION:

Install thrust needle bearing in the correct direction.
<Ref. to 3-2 [S1C0].>

NOTE:

Installation is complete when the snap ring top surface of the forward clutch drum recedes approximately 3.5 mm (0.138 in.).

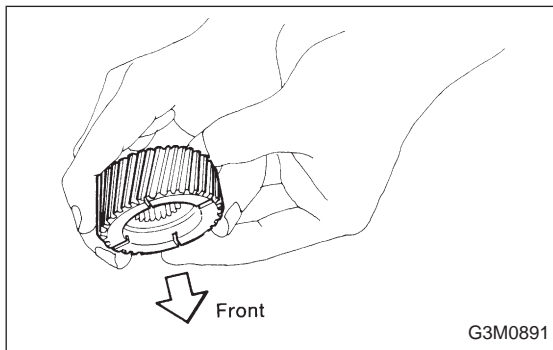


15) Install the rear planetary carrier.

Attach the thrust needle bearing to the inside of the carrier with vaseline. Then install the carrier while rotating slowly.

CAUTION:

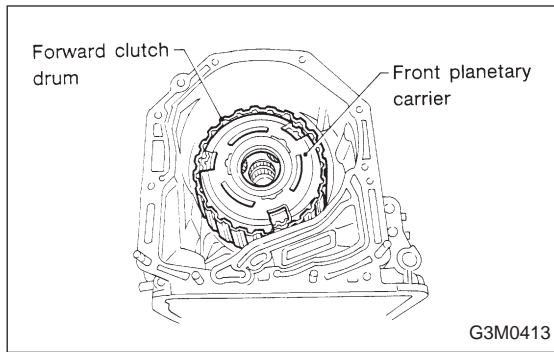
Install thrust needle bearing in the correct direction.
<Ref. to 3-2 [S1C0].>



16) Install the rear sun gear.

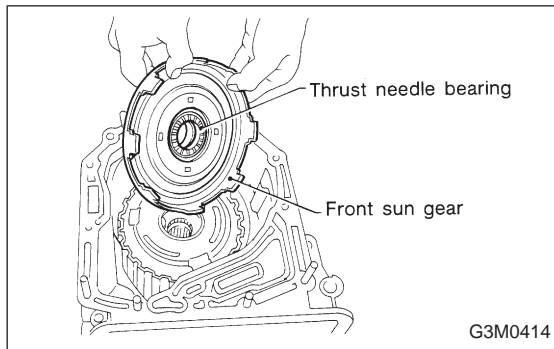
NOTE:

Install the gear with the oil groove facing up.



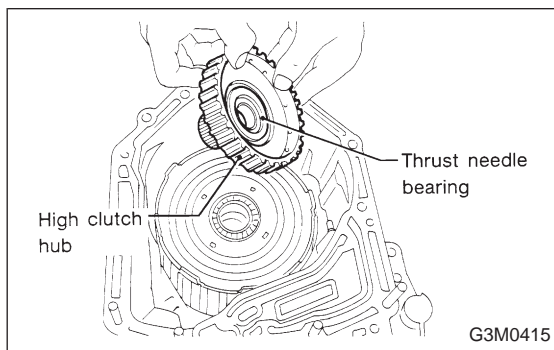
17) Install the front planetary carrier. Attach the thrust needle bearings to both sides of the carrier with vaseline. Install the carrier carefully, while aligning with the splines of the forward clutch drum, and while rotating the pinion.

CAUTION:
Install thrust needle bearing in the correct direction.
<Ref. to 3-2 [S1C0].>



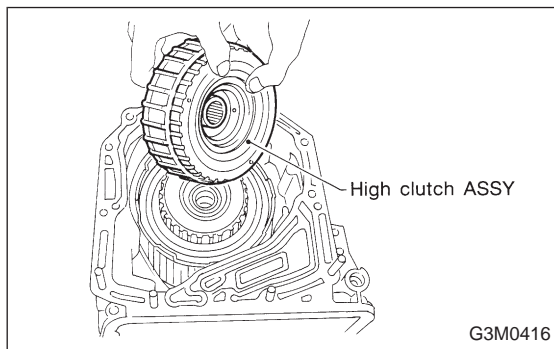
18) Install the front sun gear. Attach the thrust needle bearing to the gear, and install the gear while turning slowly.

CAUTION:
Install thrust needle bearing in the correct direction.
<Ref. to 3-2 [S1C0].>

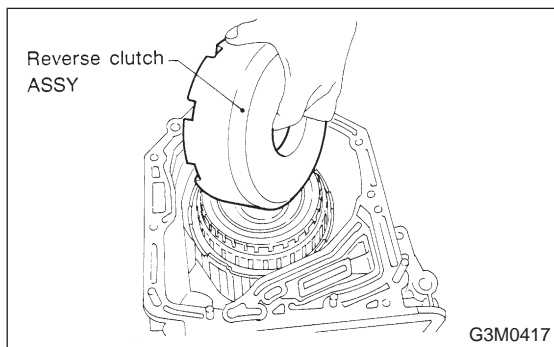


19) Install the high clutch hub. Attach the thrust needle bearing to the hub with vaseline and install the hub by correctly engaging the splines of the front planetary carrier.

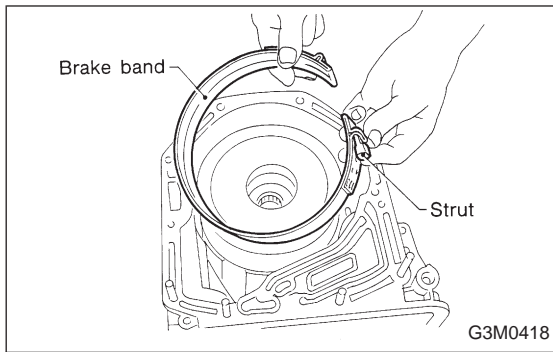
CAUTION:
Install thrust needle bearing in the correct direction.
<Ref. to 3-2 [S1C0].>



20) Install the high clutch assembly.
NOTE:
Correctly engage the high clutch hub and clutch splines.



21) Install the reverse clutch assembly.
NOTE:
Engage the high clutch outer spline with the reverse clutch spline and the front sun gear with the cut-out portion of the reverse clutch drum correctly when installing.



22) Install the brake band.

CAUTION:

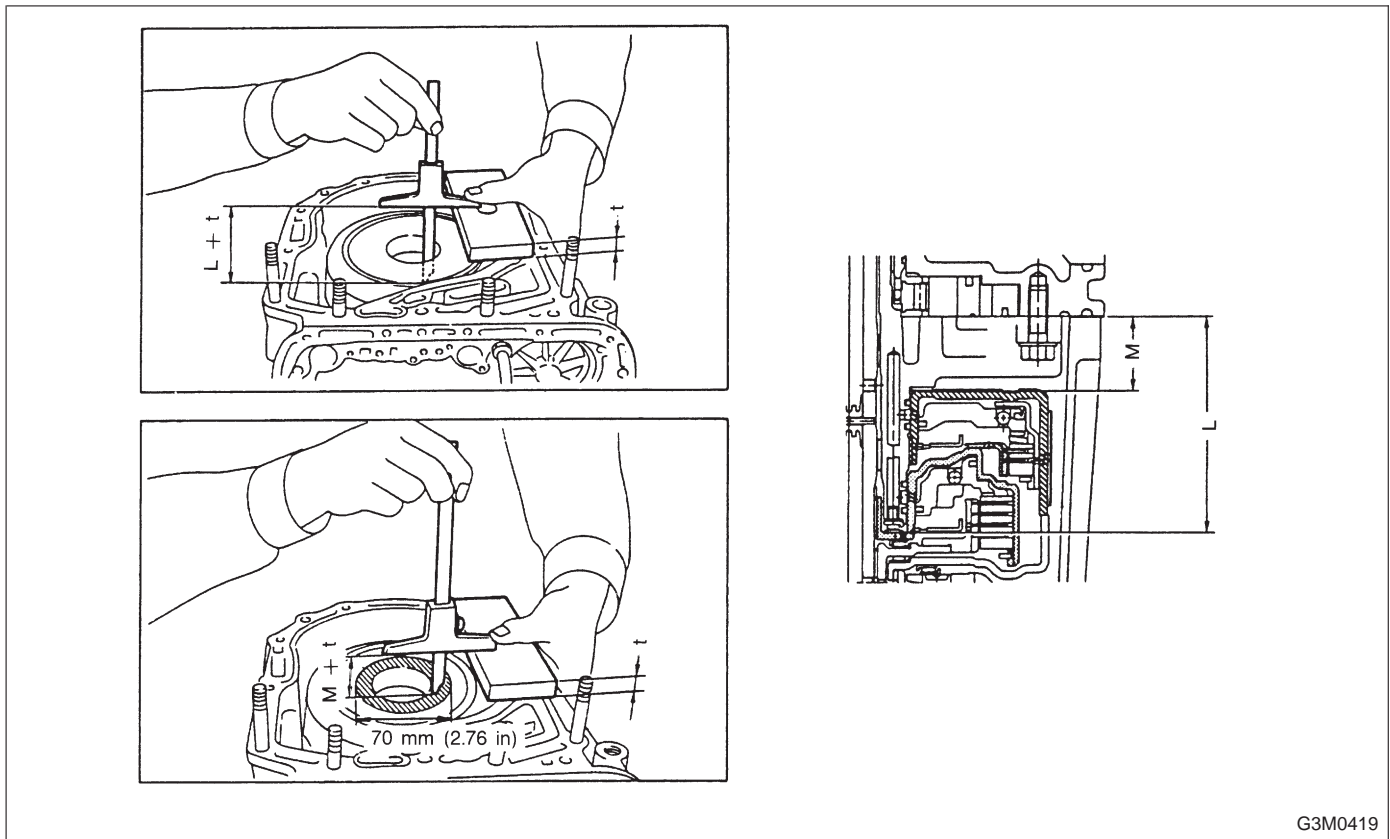
Be careful not to damage the brake band when installing.

NOTE:

Install the strut to the band servo piston stem. Then tighten it temporarily to avoid tilting the band.

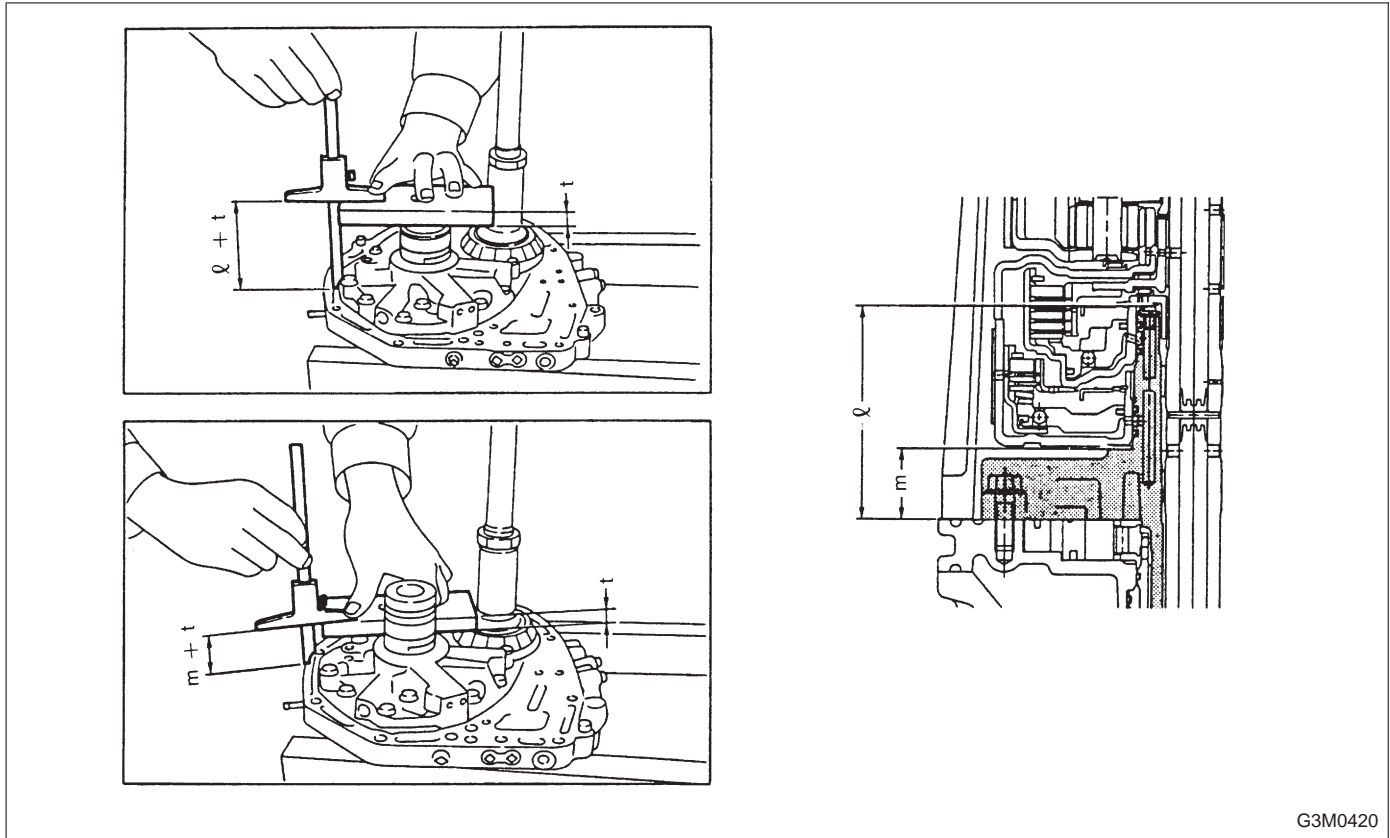
23) Adjustment of total end play and reverse clutch end play

(1) Measure the distance from the transmission case mating surface to the recessed portion of the high clutch drum "L", and the distance to the top surface of the reverse clutch drum "M".



G3M0419

(2) Measure the distance from the oil pump housing mating surface to the top surface of the oil pump cover with needle bearing, and to the thrust surface of the reverse clutch.



G3M0420

(3) Equation for calculation

- Total end play

Unit: mm

$$C = (L + 0.4) - \ell$$

- C : Clearance between concave portion of high clutch and end of clutch drum support
- L : Length from case mating surface to concave portion of high clutch
- 0.4: Gasket thickness
- ℓ : Height from housing mating surface to upper surface of clutch drum support

	Part No.	Thickness mm (in)
Select suitable bearing race from among those listed in this table so that clearance C is in the 0.25 — 0.55 mm (0.0098 — 0.0217 in) range.	803031021	0.8 (0.031)
	803031022	1.0 (0.039)
	803031023	1.2 (0.047)
	803031024	1.4 (0.055)
	803031025	1.6 (0.063)
	803031026	1.8 (0.071)
	803031027	2.0 (0.079)

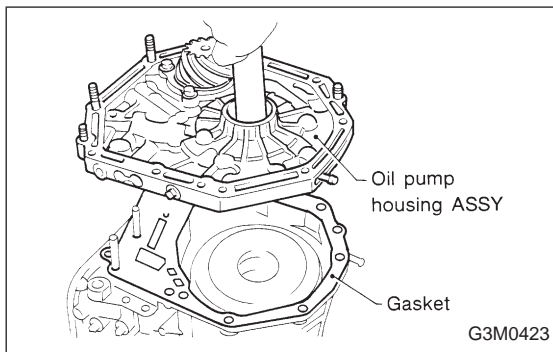
- Reverse clutch end play

Unit: mm

$$C = (M + 0.4) - m$$

- C: Clearance between oil pump housing hose and end of reverse clutch
- M: Distance from case mating surface to upper surface of reverse clutch
- 0.4: Gasket thickness
- m: Height from housing mating surface to thrust-receiving area of reverse clutch

Select suitable thrust washer from among those listed in this table so that clearance C is in the 0.55 — 0.90 mm (0.0217 — 0.0354 in) range.	Part No.	Thickness mm (in)
		31299AA000
	31299AA010	0.9 (0.035)
	31299AA020	1.1 (0.043)
	31299AA030	1.3 (0.051)
	31299AA040	1.5 (0.059)
	31299AA050	1.7 (0.067)
	31299AA060	1.9 (0.075)

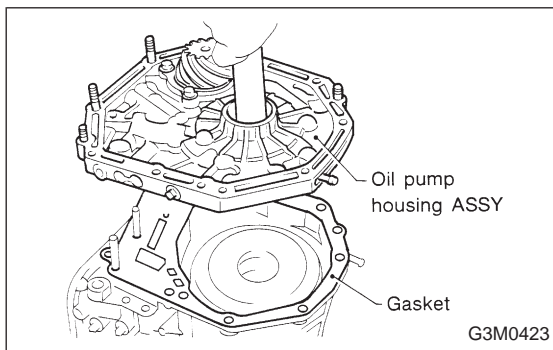


24) Install the oil pump housing assembly.

- (1) After completing end play adjustment, insert the bearing race in the recess of the high clutch. Attach the thrust washer and thrust needle bearing to the oil pump cover with vaseline.
- (2) After correctly installing the gasket to the case mating surface, carefully install the oil pump housing assembly. Be careful to avoid hitting the drive pinion against the inside of the case.

CAUTION:

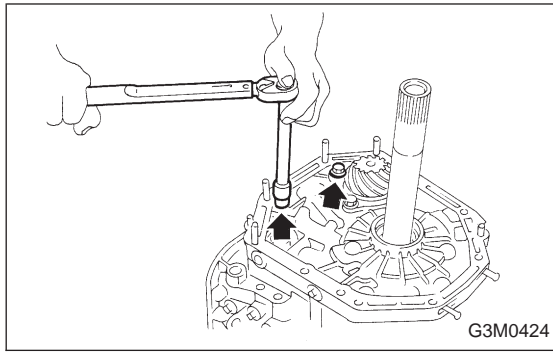
- Be careful not to damage the seal ring.
- Be sure to use a new gasket.



- (3) Install both parts with dowel pins aligned. Make sure no clearance exists at the mating surface.

NOTE:

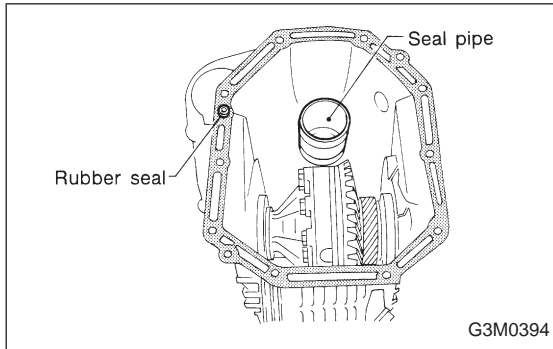
Any clearance suggests a damaged seal ring.



(4) Secure the housing with two nuts.

Tightening torque:

41±3 N·m (4.2±0.3 kg-m, 30.4±2.2 ft-lb)

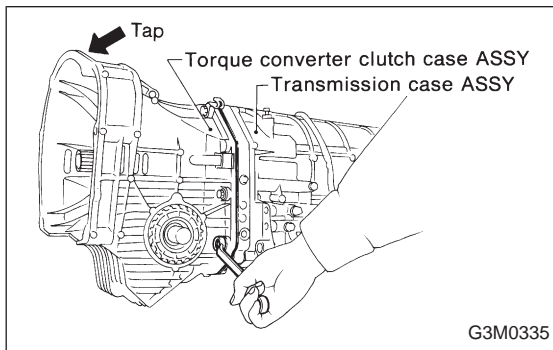


3. TORQUE CONVERTER CLUTCH CASE AND TRANSMISSION CASE

1) Apply proper amount of liquid gasket (THREE BOND Part No. 1215) to the entire torque converter clutch case mating surface.

NOTE:

Make sure that the rubber seal and seal pipe are fitted in position.



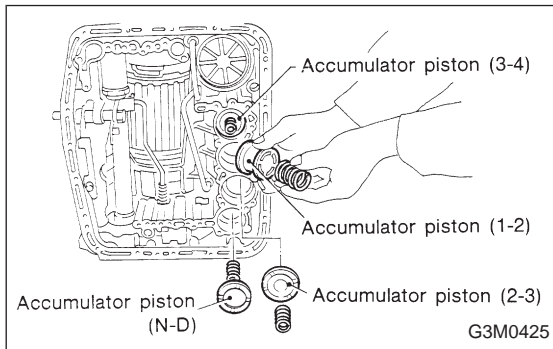
2) Install the torque converter clutch case assembly to the transmission case assembly, and secure with six bolts and four nuts.

Tightening torque:

41±3 N·m (4.2±0.3 kg-m, 30.4±2.2 ft-lb)

CAUTION:

When installing, be careful not to damage the torque converter clutch case bushing and oil seal.



4. CONTROL VALVE AND OIL PAN

1) Install four accumulators with oil pans facing upward.

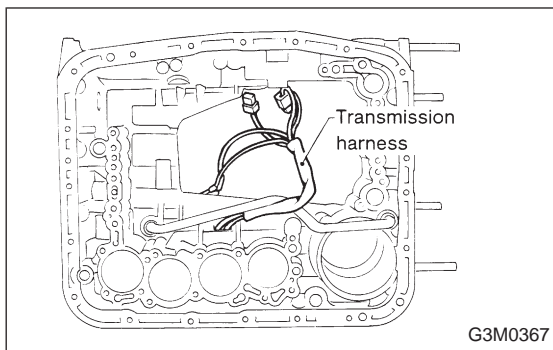
CAUTION:

Be careful not to confuse the springs and installation positions.

● Spring specification

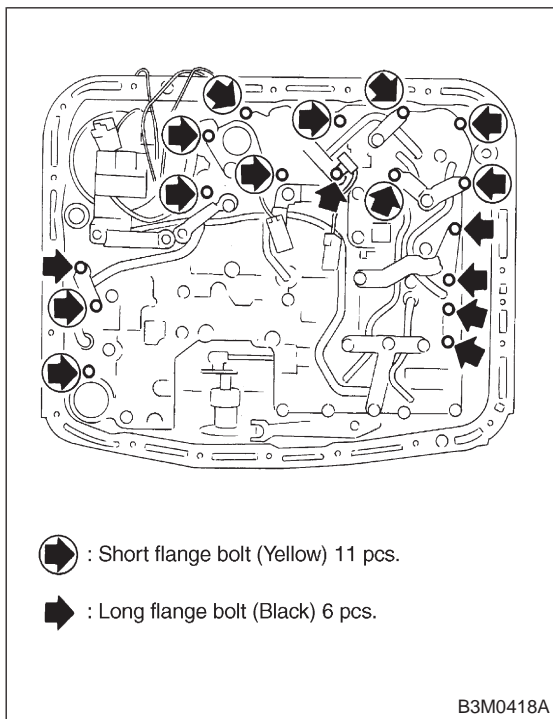
Unit: mm (in)

Accumulator spring	Outer diameter	Free length
1 — 2	28.5 (1.122)	44.5 (1.752)
2 — 3	20.5 (0.807)	31.0 (1.220)
3 — 4	17.3 (0.681)	43.7 (1.720)
N — D	17.8 (0.701)	36.5 (1.437)



2) Install and route the transmission harness.

CAUTION:
Be careful not to damage the harness.



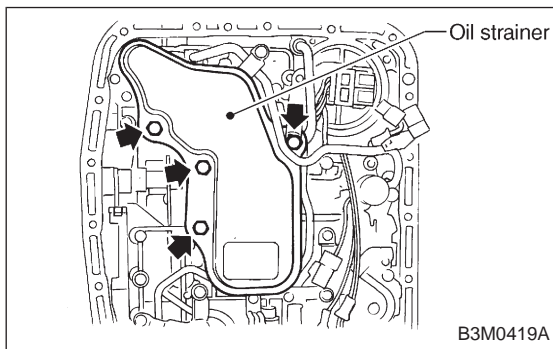
3) Install the control valve assembly.

- (1) Set the select lever in range "2".
- (2) Install the two brackets, ATF temperature sensor and the control valve by engaging the manual valve and manual lever, then tighten the 17 bolts.

Tightening torque:
 $8 \pm 1 \text{ N}\cdot\text{m}$ ($0.8 \pm 0.1 \text{ kg}\cdot\text{m}$, $5.8 \pm 0.7 \text{ ft}\cdot\text{lb}$)

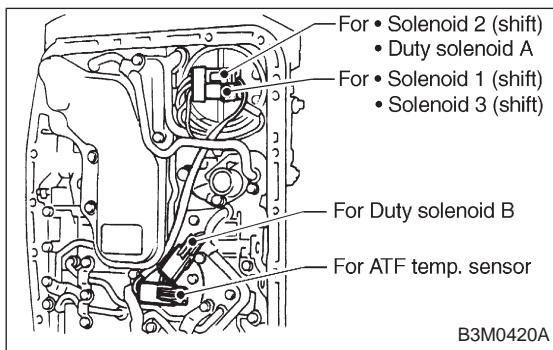
CAUTION:

- Be careful not to pinch the harness roll the gasket.
- Tighten the control valve mounting bolts evenly.

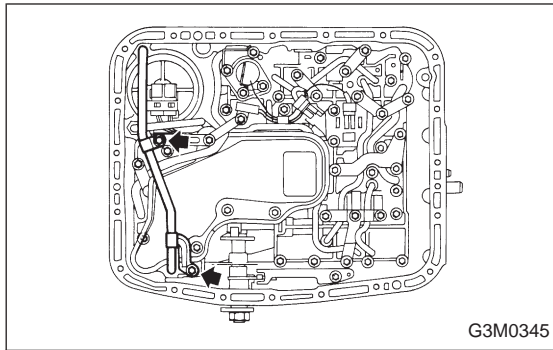


4) Install the oil strainer to the control valve. Be careful not to cut or break the O-ring. Then tighten four bolts.

Tightening torque:
 $8 \pm 1 \text{ N}\cdot\text{m}$ ($0.8 \pm 0.1 \text{ kg}\cdot\text{m}$, $5.8 \pm 0.7 \text{ ft}\cdot\text{lb}$)



5) Secure four connectors.



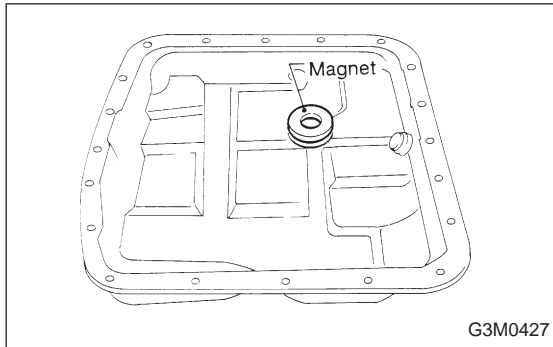
6) Install the oil cooler outlet pipe, and secure with two bolts.

Tightening torque:

$8\pm 1 \text{ N}\cdot\text{m}$ ($0.8\pm 0.1 \text{ kg}\cdot\text{m}$, $5.8\pm 0.7 \text{ ft}\cdot\text{lb}$)

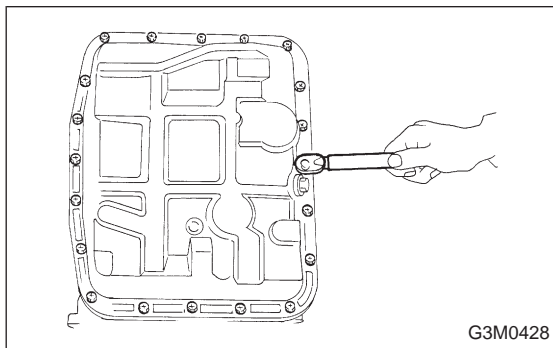
CAUTION:

Fit the pipe into position. Be careful to avoid twisting.



7) Install the oil pan.

(1) Attach the magnet at the specified position.



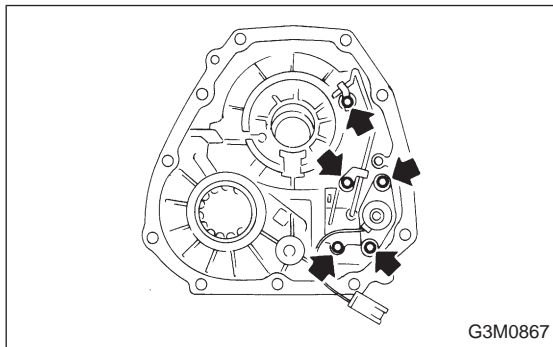
(2) With gasket inserted, secure the oil pan by tightening 20 bolts.

Tightening torque:

$4.9\pm 0.5 \text{ N}\cdot\text{m}$ ($0.50\pm 0.05 \text{ kg}\cdot\text{m}$, $3.6\pm 0.4 \text{ ft}\cdot\text{lb}$)

NOTE:

Tighten the bolts evenly.



5. EXTENSION SECTION

NOTE:

When installing new oil seal into extension case, press it with ST.

ST 498057300 INSTALLER

1) Install the filter in the extension case.

NOTE:

Pay attention to the orientation of the filter.

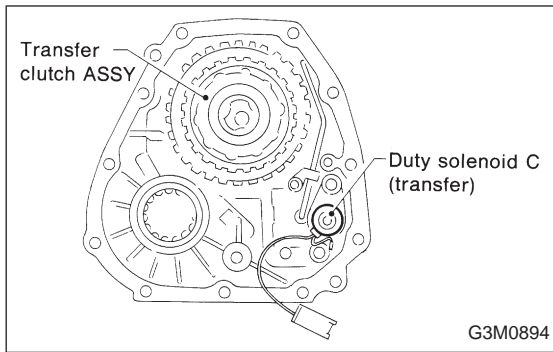
2) Install the transfer clutch valve assembly, transfer pipe, and the stay then secure with five bolts.

Tightening torque:

$8\pm 1 \text{ N}\cdot\text{m}$ ($0.8\pm 0.1 \text{ kg}\cdot\text{m}$, $5.8\pm 0.7 \text{ ft}\cdot\text{lb}$)

CAUTION:

- Be sure to tighten the going lead with one of these bolts.
- Be sure to use a new gasket.



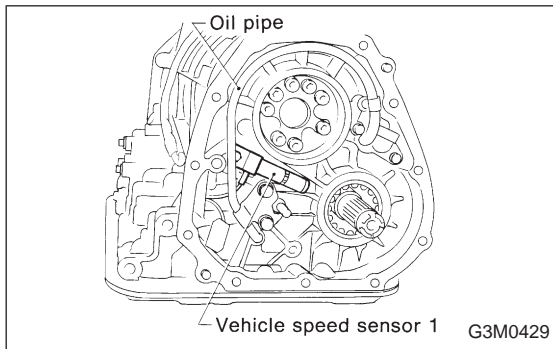
3) Install the transfer clutch assembly to the case.

CAUTION:

Be careful not to damage the seal rings.

NOTE:

Insert the clutch assembly fully into position until the bearing shoulder bottoms.



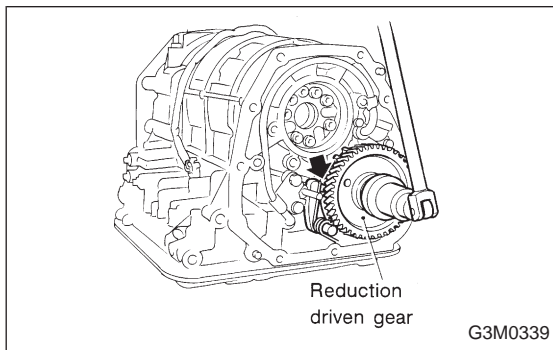
6. CONNECTION OF EACH SECTION

1) Install vehicle speed sensor 1 on transmission case. [FWD only]

Tightening torque:

7 ± 1 N·m (0.7 ± 0.1 kg·m, 5.1 ± 0.7 ft·lb)

2) Install oil pipe.



3) Install the reduction driven gear.

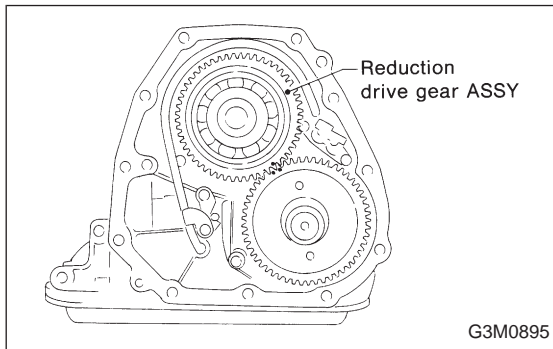
4) Install the parking pawl and shaft, set the select lever in the "P" range and tighten the drive pinion lock nut.

Tightening torque:

98 ± 5 N·m (10.0 ± 0.5 kg·m, 72.3 ± 3.6 ft·lb)

NOTE:

After tightening, stake the lock nut securely.



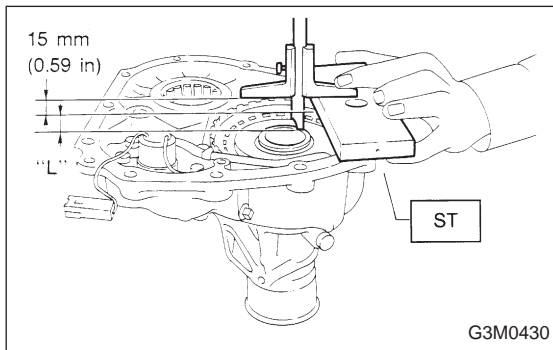
5) Install the reduction drive gear assembly.

CAUTION:

Align mark on reduction drive gear with mark on driven gear during installation.

NOTE:

Insert it fully into position until the bearing shoulder bottoms.



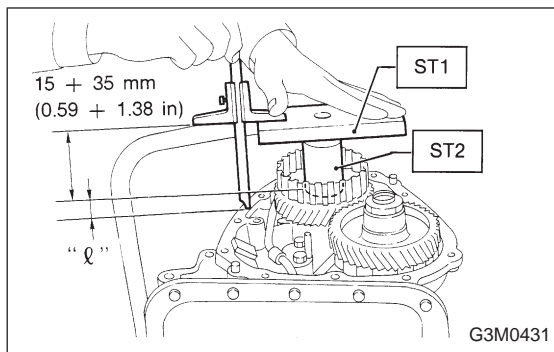
6) Measurement and adjustment of extension end play

(1) Measure distance L from end of extension case and rear drive shaft with ST. (On FWD models, measure distance from end of case to point at bearing location.)

ST 398643600 GAUGE

Unit: mm

$L = \text{Measured value} - 15$



(2) Measure the distance “ ℓ ” from the transmission case mating surface to the reduction drive gear end surface with ST1 and ST2. (On FWD models, measure distance from end of case to end of bearing.)

Unit: mm

$$\ell = \text{Measured value} - 50$$

- ST1 398643600 GAUGE
- ST2 499577000 GAUGE

(3) Calculation equation:

Unit: mm

$$T = (L + 0.4) - \ell$$

T : Clearance between end of reduction drive gear and end of rear drive shaft. (Clearance between end of reduction drive gear and end of bearing on FWD model)

L : Distance from end of extension case to end of rear drive shaft. (Distance from end of case to point at bearing location)

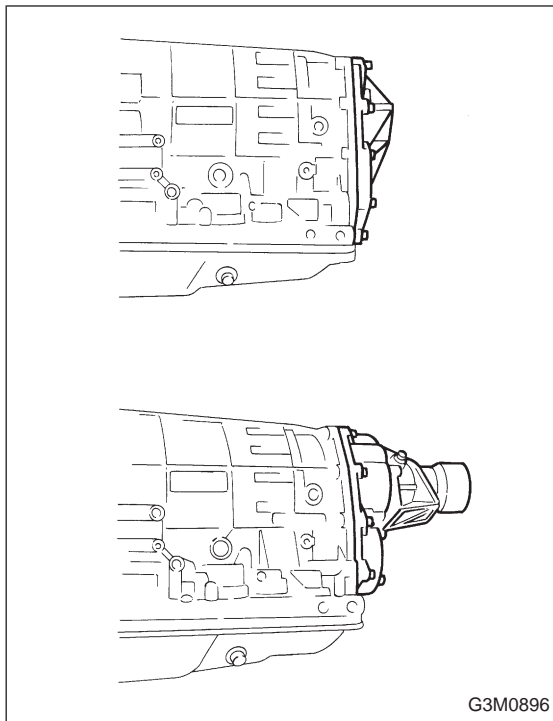
0.4: Gasket thickness

ℓ : Height from end of transmission case to end of reduction drive gear. (Height from end of case to end of bearing on FWD models)

Select suitable thrust needle bearing from among those listed in the following table to adjust clearance in the 0.05 — 0.20 mm (0.0020 — 0.0079 in) range.

● AWD: Thrust needle bearing	Part No.	Thickness mm (in)
	806536020	3.8 (0.150)
	806535030	4.0 (0.157)
	806535040	4.2 (0.165)
	806535050	4.4 (0.173)
	806535060	4.6 (0.181)
	806535070	4.8 (0.189)
● FWD: Reduction gear shim	Part No.	Thickness mm (in)
	31288AA000	0.15 (0.0059)

Select from one to five shims so that clearance is within specifications.



7) Installation of extension case (AWD), transmission cover (FWD) and transmission case.

● AWD model:

- (1) Attach the selected thrust needle bearing to the end surface of reduction drive gear with vaseline.
- (2) Set the parking return spring.
- (3) Remove the transfer clutch from the extension case.
Set the needle bearing on the reduction drive shaft and then install transfer clutch to the transfer clutch hub.

NOTE:

Be sure to engage the spline teeth correctly.

- (4) With gasket inserted between them, install the extension case to the transmission case.

CAUTION:

- Be sure to use a new gasket.
- After inserting the extension case halfway, connect the connector for duty solenoid C. Be careful not to jam the cord in the case.
- Be careful not to damage the rear drive shaft seal ring.

- (5) Tighten bolts to secure the case.

Tightening torque:

25±2 N·m (2.5±0.2 kg-m, 18.1±1.4 ft-lb)

● FWD model:

- (1) Attach selected shim to transmission cover using vaseline.
- (2) Set the parking return spring.
- (3) After positioning gasket, assemble transmission cover and transmission case.

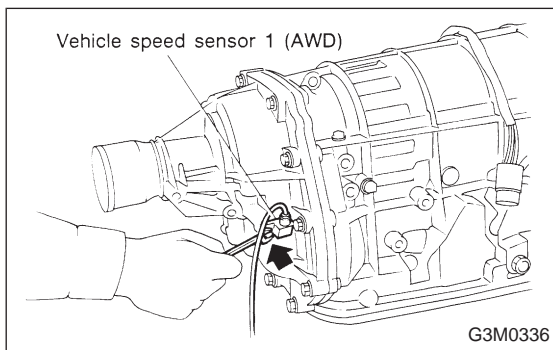
NOTE:

While aligning bearings, parking shaft, reduction driven gear, etc. assemble the two cases.

- (4) Tighten bolts.

Tightening torque:

25±2 N·m (2.5±0.2 kg-m, 18.1±1.4 ft-lb)

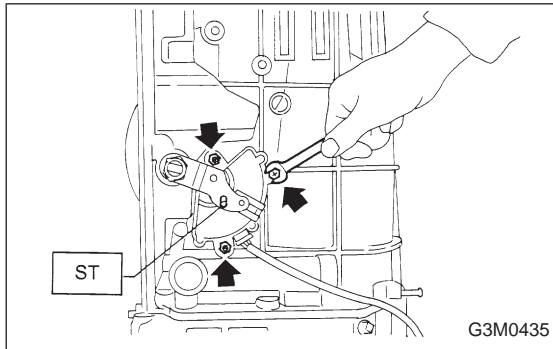
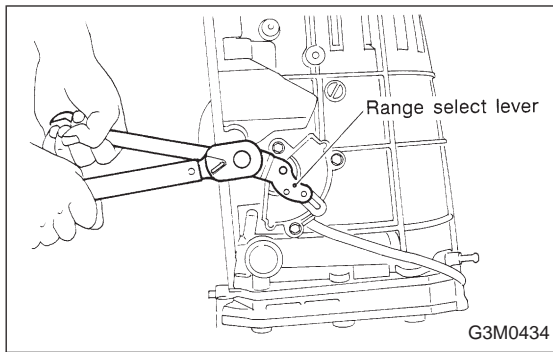


7. EXTERNAL PARTS

- 1) Install the vehicle speed sensor 1. (AWD only)

Tightening torque:

7±1 N·m (0.7±0.1 kg-m, 5.1±0.7 ft-lb)



2) Installation and adjustment of inhibitor switch

- (1) Install the inhibitor switch to the transmission case. Fit the projecting portion of the switch in the recessed portion of the case, and tighten three bolts temporarily.
- (2) Insert the range select lever into the shaft, and tighten the nut.

Tightening torque:

47 ± 5 N·m (4.8 ± 0.5 kg·m, 34.7 ± 3.6 ft·lb)

- (3) With the selector lever set to "N" adjust the inhibitor switch so that the hole of range select lever is aligned with the inhibitor switch hole with ST.

ST 499267300 STOPPER PIN

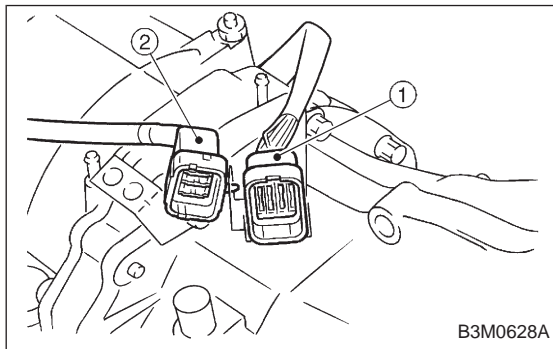
NOTE:

Ensure that gauge moves properly.

- (4) With hole aligned, tighten three bolts to secure the inhibitor switch.

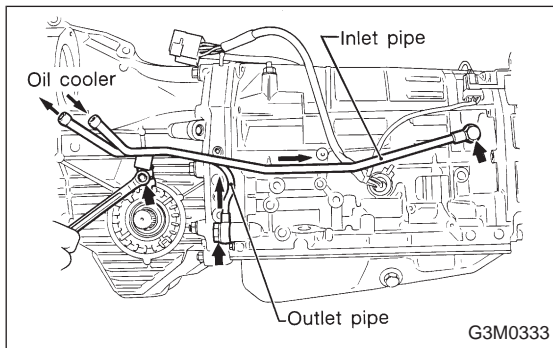
Tightening torque:

3.4 ± 0.5 N·m (0.35 ± 0.05 kg·m, 2.5 ± 0.4 ft·lb)



3) Clip the following cords and harness.

- ① Transmission harness
- ② Inhibitor switch cord



4) Install the oil cooler outlet pipe.

Tightening torque:

34 ± 3 N·m (3.5 ± 0.3 kg·m, 25.3 ± 2.2 ft·lb)

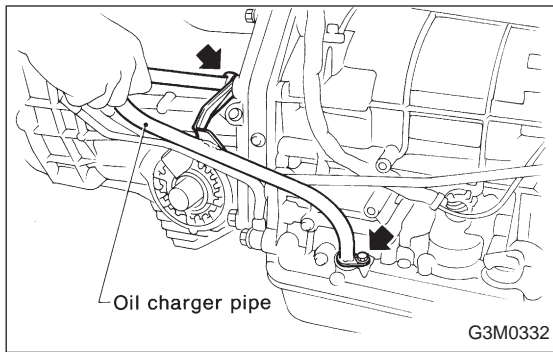
5) Install the oil cooler inlet pipe.

Tightening torque:

25 ± 2 N·m (2.5 ± 0.2 kg·m, 18.1 ± 1.4 ft·lb)

CAUTION:

Be sure to use a new aluminum washer.



6) Install the oil charge pipe.

Tightening torque:

Upper

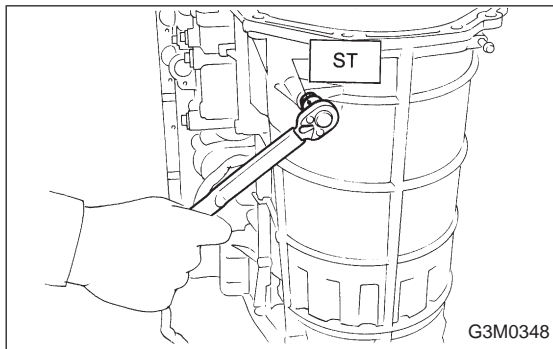
41±3 N·m (4.2±0.3 kg-m, 30.4±2.2 ft-lb)

Lower

6.4±0.5 N·m (0.65±0.05 kg-m, 4.7±0.4 ft-lb)

CAUTION:

Be careful not to damage the O-ring.



7) Adjustment of brake band

After tightening the brake band adjusting screw with ST to 9 N·m (0.9 kg-m, 6.5 ft-lb) torque, back it off three turns. Then secure with a lock nut.

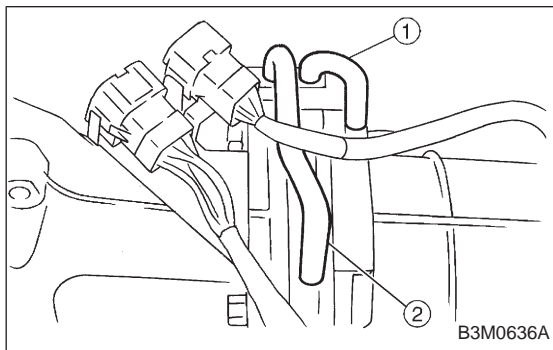
ST 398603610 SOCKET WRENCH

Tightening torque:

26±2 N·m (2.7±0.2 kg-m, 19.5±1.4 ft-lb)

NOTE:

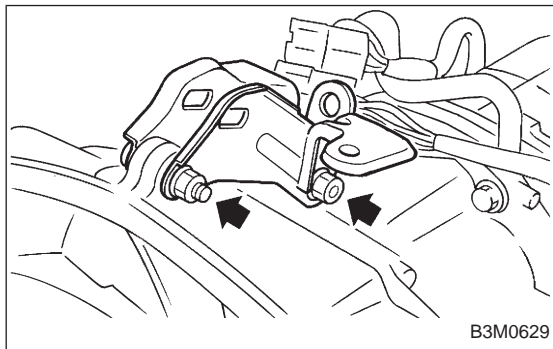
When tightening the lock nut, be careful not to turn the adjusting screw.



8) Install the air breather hose.

① Air breather hose (Transmission case)

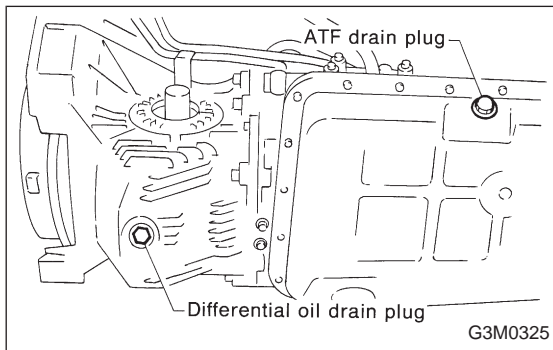
② Air breather hose (Oil pump housing)



9) Install the pitching stopper bracket.

Tightening torque:

41±3 N·m (4.2±0.3 kg-m, 30.4±2.2 ft-lb)



10) Tighten the drain plugs.

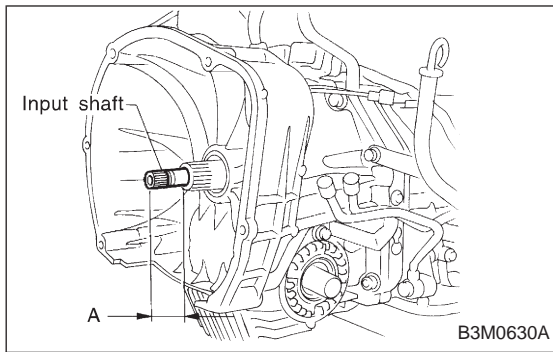
Tightening torque:

Diff.

44±3 N·m (4.5±0.3 kg-m, 32.5±2.2 ft-lb)

ATF

25±2 N·m (2.5±0.2 kg-m, 18.1±1.4 ft-lb)



11) Insert the input shaft while turning lightly by hand.

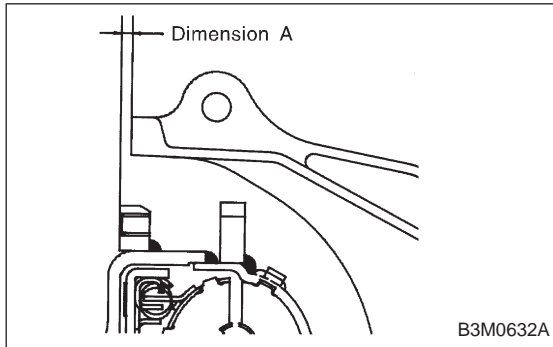
CAUTION:

Be careful not to damage the bushing.

Normal protrusion A:

2200 cc: 50 — 55 mm (1.97 — 2.17 in)

2500 cc: 28 — 32 mm (1.10 — 1.26 in)



12) Install the torque converter clutch assembly.

(1) Install the oil pump shaft to the torque converter clutch.

NOTE:

Make sure the clip fits securely in its groove.

(2) Holding the torque converter clutch assembly by hand, carefully install it to the torque converter clutch case. Be careful not to damage the bushing. Also avoid undue contact between the oil pump shaft bushing and stator shaft portion of the oil pump cover.

(3) Rotate the shaft lightly by hand to engage the splines securely.

Dimension A:

2200 cc: 3.9 — 4.1 mm (0.154 — 0.161 in)

2500 cc: 7.9 — 8.1 mm (0.311 — 0.319 in)

13) Fill ATF and differential gear oil.

<Ref. to 1-5 [09A2], [010A0].>

Differential gear oil capacity:

1.1 — 1.3 ℓ (1.2 — 1.4 US qt, 1.0 — 1.1 Imp qt)

Automatic transmission fluid capacity:

2200 cc:

7.9 — 8.2 ℓ (8.4 — 8.7 US qt, 7.0 — 7.2 Imp qt)

2500 cc:

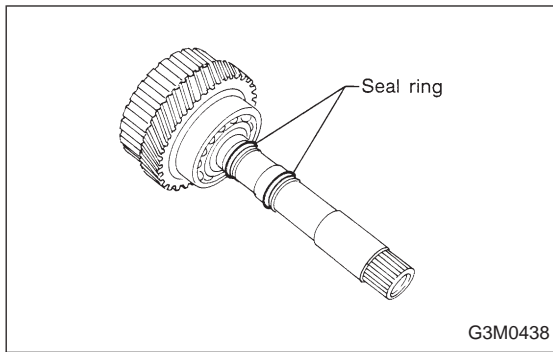
9.5 — 9.8 ℓ (10.0 — 10.3 US qt, 8.4 — 8.6 Imp qt)

Recommended fluid:

Dexron II or Dexron III type automatic transmission

NOTE:

After filling oil, insert the oil level gauge into the oil inlet.



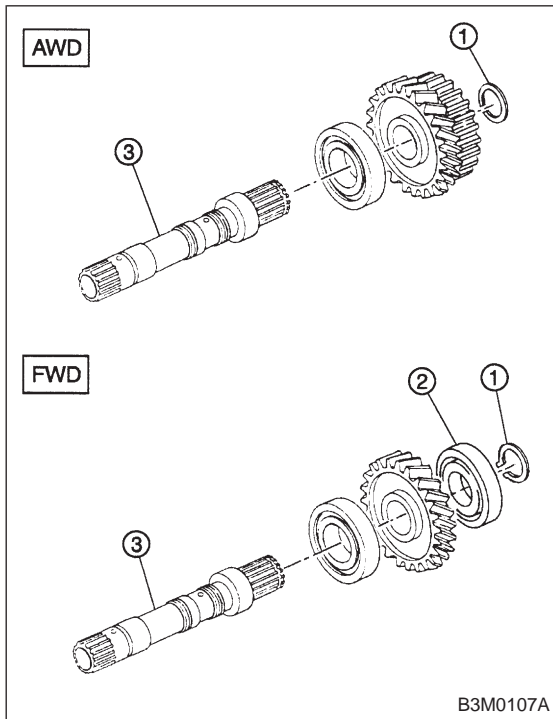
5. Reduction Drive Gear Assembly

A: DISASSEMBLY

1) Take out the seal rings.

CAUTION:

Be careful not to damage the seal rings.

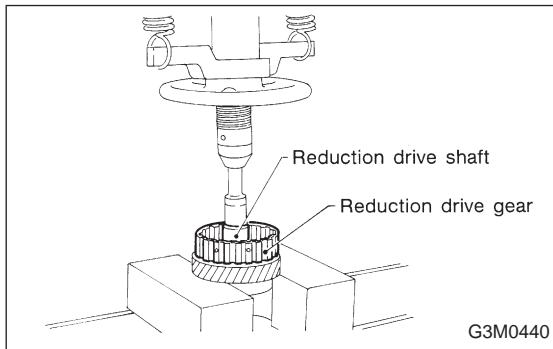


2) Take out the snap ring (outer ①).

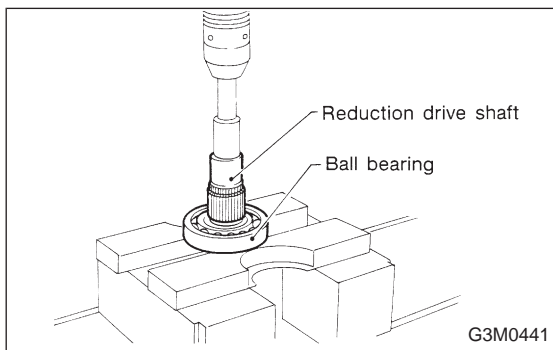
CAUTION:

Be careful not to damage the splines.

3) Using a press, remove the ball bearing ② from shaft ③.
(FWD only)



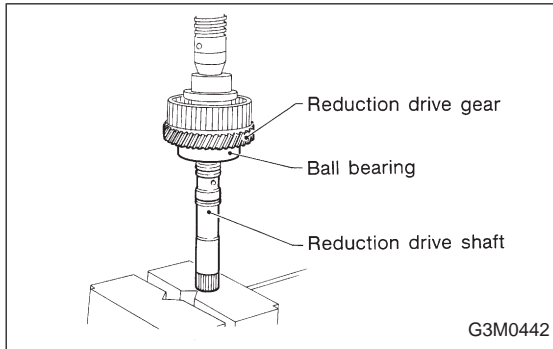
4) Using a press, remove the reduction drive gear.



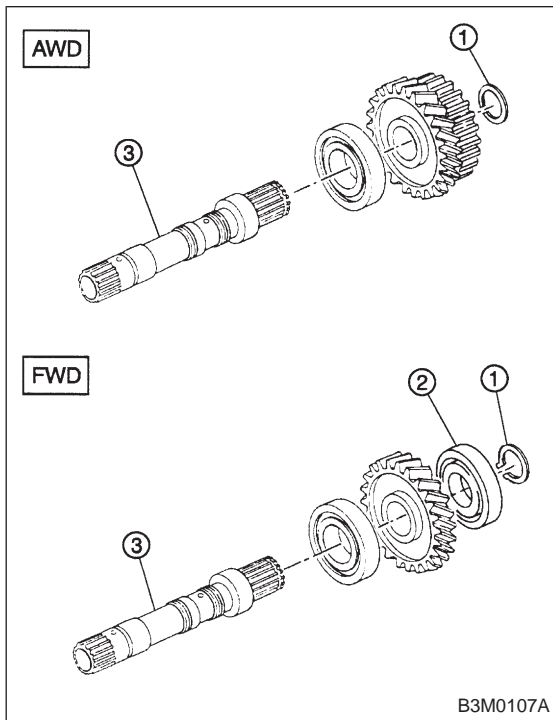
5) Using a press, remove the ball bearing.

B: INSPECTION

Make sure that each component is free of harmful gouges, cuts, or dust.

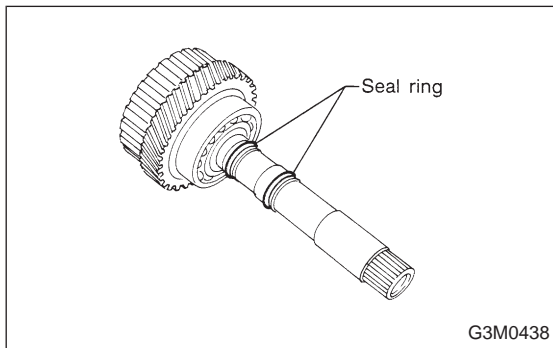
**C: ASSEMBLY**

1) Press-fit the ball bearing and reduction drive gear to the shaft.



2) AWD: Fit the snap ring ① securely in the snap ring groove on the shaft ③.

FWD: Press ball bearing ② into place and secure snap ring ① to groove in shaft ③.



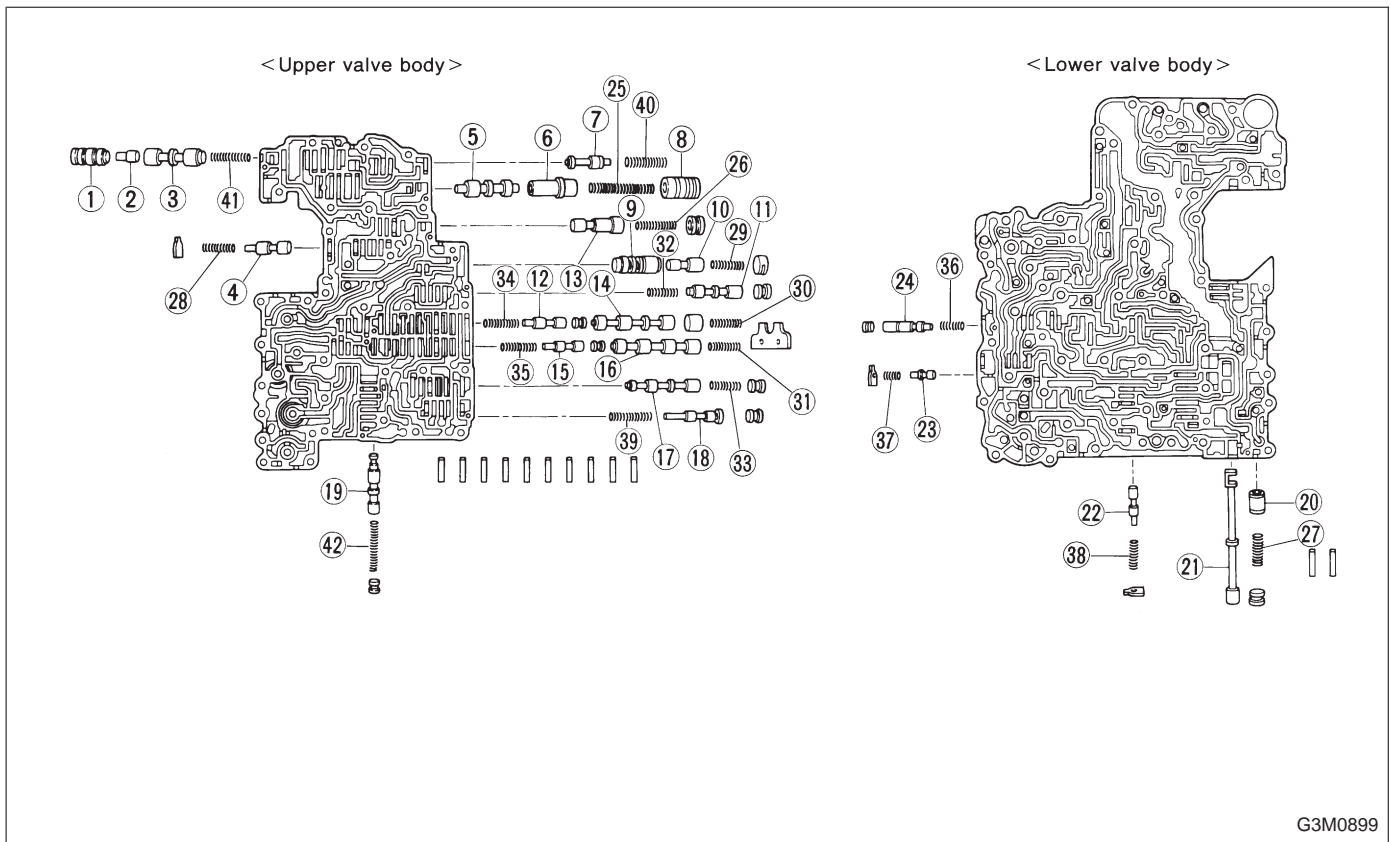
3) Attach two seal rings.

NOTE:

To make subsequent assembly easier, apply vaseline to the grooves of the shaft and to the exterior of the seal ring.

6. Control Valve Body

The control valve is composed of parts which are accurately machined to a high degree and should be handled carefully during disassembly and assembly. As these parts are similar in shape, they should be arranged in neat order on a table after disassembly so that they can be easily installed to their original positions. Spring loaded parts should be also handled carefully, as springs may jump out of place when the parts are disassembled or removed. Extreme care should be taken so as not to drop valves on the floor. Before assembling, the parts and valves should be dipped in a container filled with the ATF. Make sure that the valves are clean and free from any foreign material before assembly. Torque specifications should also be observed.

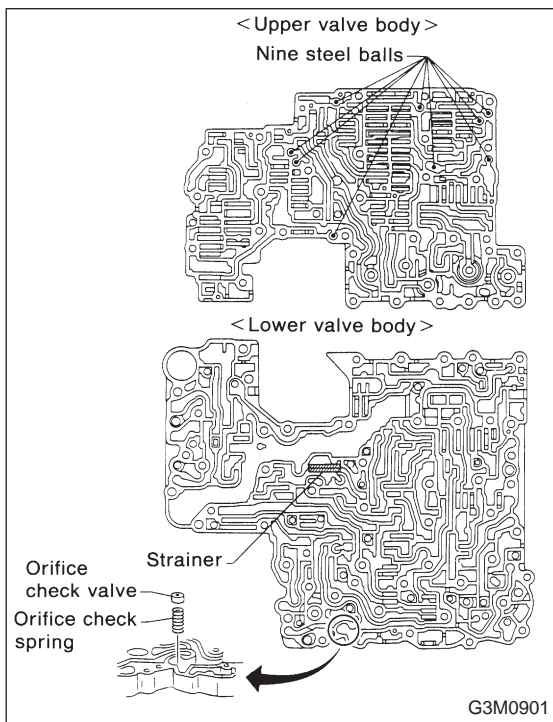
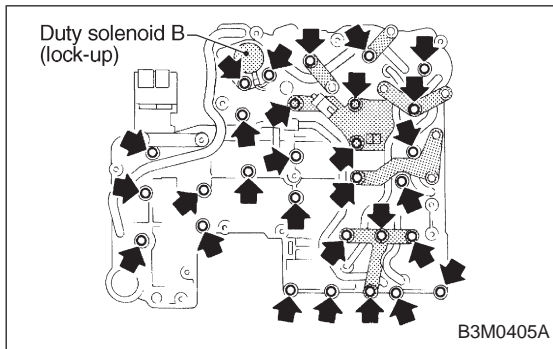
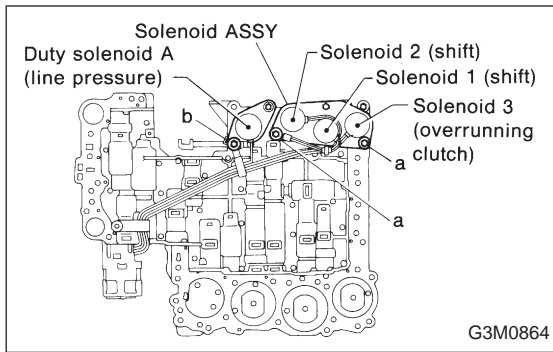


G3M0899

- | | | |
|-------------------------------------|-------------------------------------|--------------------------------------|
| ① Lock-up control sleeve | ⑱ Overrunning clutch reducing valve | ⑳ 4-2 relay spring |
| ② Lock-up control plug | ⑲ Shuttle shift valve | ㉑ Servo charger spring |
| ③ Lock-up control valve | ㉒ Manual valve | ㉒ 3-2 timing spring |
| ④ Pilot valve | ㉓ Forward clutch control valve | ㉓ 1st reducing spring |
| ⑤ Pressure regulator valve | ㉔ 1st reducing valve | ㉔ Overrunning clutch reducing spring |
| ⑥ Pressure regulator plug | ㉕ 3-2 timing valve | ㉕ Torque converter regulator spring |
| ⑦ Torque converter regulation valve | ㉖ Servo charger valve | ㉖ Lock-up control spring |
| ⑧ Pressure regulator sleeve plug | ㉗ Pressure regulator spring | ㉗ Shuttle duty shift spring |
| ⑨ Accumulator control sleeve | ㉘ Pressure modifier spring | |
| ⑩ Accumulator control plug | ㉙ Modifier accumulator spring | |
| ⑪ Shuttle duty shift valve | ㉚ Pilot spring | |
| ⑫ 4-2 sequence valve | ㉛ Accumulator control spring | |
| ⑬ Pressure modifier valve | ㉜ Shift B spring | |
| ⑭ Shift valve B | ㉝ Shift A spring | |
| ⑮ 4-2 relay valve | ㉞ Shuttle shift spring | |
| ⑯ Shift valve A | ㉟ Overrunning clutch control spring | |
| ⑰ Overrunning clutch control valve | ㊱ 4-2 sequence spring | |

Unit: mm (in)

No.	Part name	Wire dia.	Outer dia.	Effective turn	Free length
25	Pressure regulator spring	1.6 (0.063)	14.0 (0.551)	5.6	31.5 (1.240)
26	Pressure modifier spring	0.8 (0.031)	6.8 (0.268)	10.0	31.95 (1.2579)
27	Modifier accumulator spring	1.3 (0.051)	9.8 (0.386)	8.8	30.5 (1.201)
28	Pilot spring	1.1 (0.043)	9.1 (0.358)	8.3	25.7 (1.012)
29	Accumulator control spring	0.4 (0.016)	6.6 (0.260)	11.0	27.5 (1.083)
30	Shift B spring	0.65 (0.0256)	7.0 (0.276)	9.5	25.0 (0.984)
31	Shift A spring	0.5 (0.020)	7.0 (0.276)	9.5	25.0 (0.984)
32	Shuttle shift spring	0.65 (0.0256)	5.65 (0.2224)	27.6	51.0 (2.008)
33	Overrunning clutch control spring	0.7 (0.028)	6.0 (0.236)	12.0	26.5 (1.043)
34	4-2 sequence spring	0.55 (0.0217)	6.95 (0.2736)	11.0	29.1 (1.146)
35	4-2 relay spring	0.55 (0.0217)	6.95 (0.2736)	11.0	29.1 (1.146)
36	Servo charger spring	0.7 (0.028)	6.7 (0.264)	9.0	23.0 (0.906)
37	3-2 timing spring	0.75 (0.0295)	6.75 (0.2657)	7.5	20.55 (0.8091)
38	1st reducing spring	0.75 (0.0295)	6.75 (0.2657)	12.5	25.4 (1.000)
39	Overrunning clutch reducing spring	1.05 (0.0413)	7.05 (0.2776)	15.21	34.7 (1.366)
40	Torque converter regulator spring	1.3 (0.051)	9.0 (0.354)	11.7	38.0 (1.496)
41	Lock-up control spring	0.75 (0.0295)	13.0 (0.512)	3.5	18.5 (0.728)
42	Shuttle duty shift spring	0.75 (0.0295)	5.65 (0.2224)	27.6	51.0 (2.008)



A: DISASSEMBLY

- 1) Remove the following parts from the upper valve body.
 - (1) Solenoid assembly (shift 1-2-3)
 - (2) Duty solenoid A (line pressure)

- 2) Remove the following parts from the lower valve body.
 - (1) Duty solenoid B (lock-up)
 - (2) Bracket
- 3) Separate the upper valve body and lower valve body.

CAUTION:

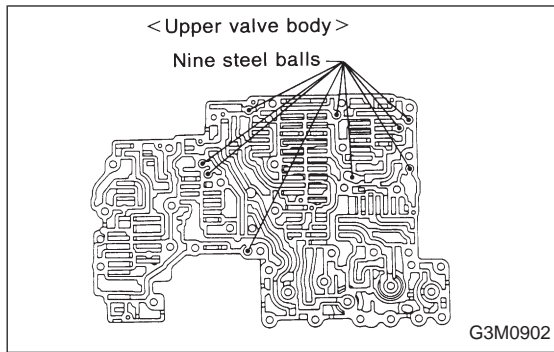
- Do not lose the nine (9) steel balls contained in the upper valve body.
- Do not lose an orifice and a strainer contained in the lower valve body.

NOTE:

Remove the upper-lower valve body tightening bolts. Then remove two locating bolts. (←)
 During ordinary servicing, clean the control valve bodies in this condition, without further disassembly.
 In the event of a seized clutch or other problem, disassemble the control valve bodies further, and clean the component parts.

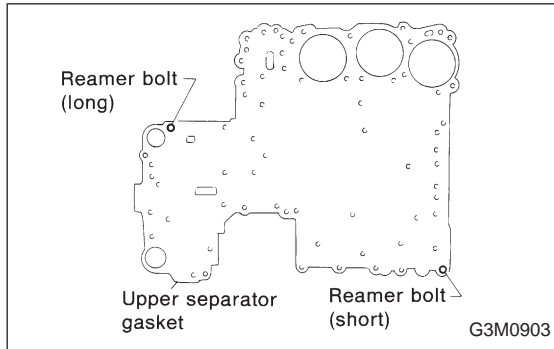
B: INSPECTION

Make sure that each component is free of harmful gouges, cuts, or dust.

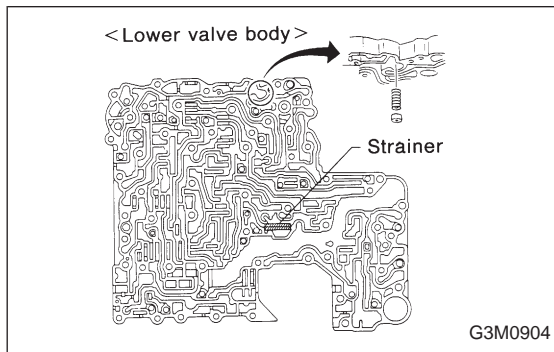


C: ASSEMBLY

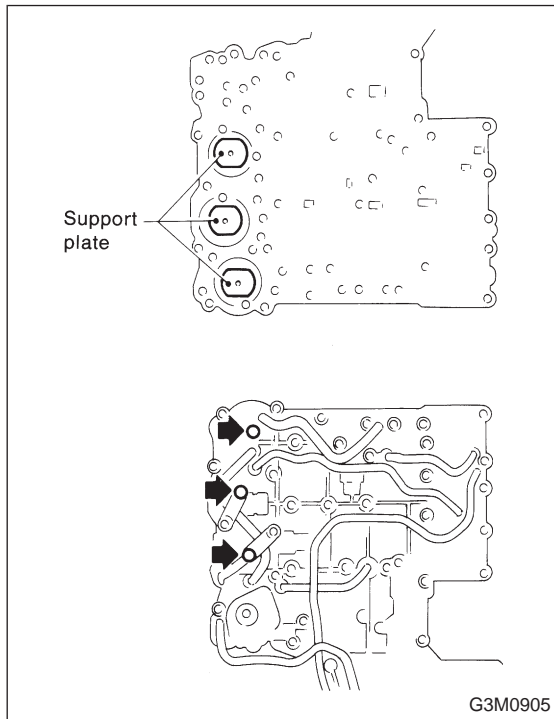
1) Install the nine steel balls to the upper valve body.



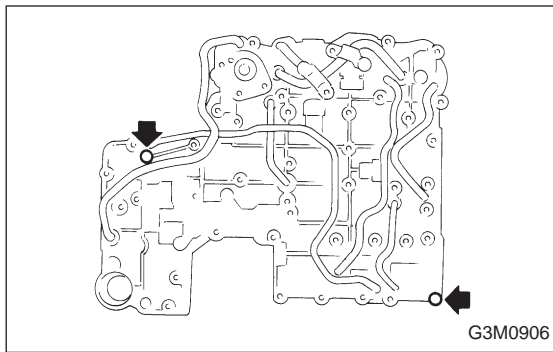
2) From under upper valve body, install two bolts using washers and position upper separator gasket.



3) Install the orifice check valve, orifice check spring and filter to the lower valve body.



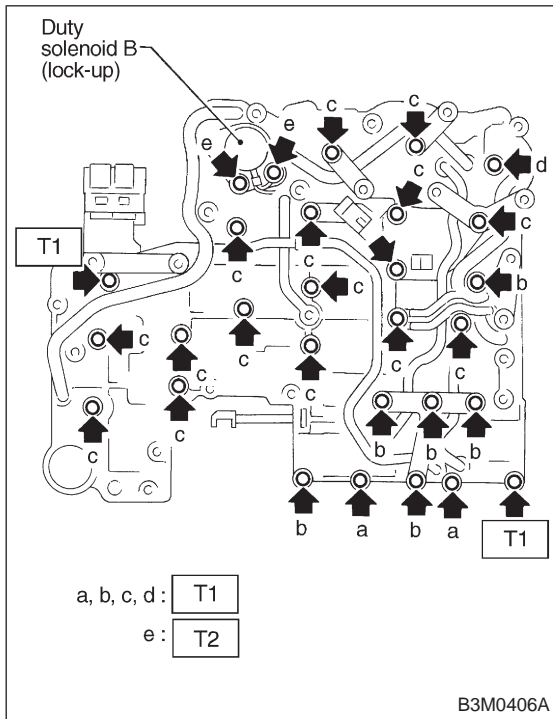
4) Install lower separate gasket and separate plate on lower body in that order, then temporarily tighten three support plates and two brackets.



5) Temporarily assemble lower valve body to upper valve body.

CAUTION:

Be careful not to drop the upper body interior steel ball, or the lower body interior filter, orifice check spring, or orifice check valve.



6) Install the duty solenoid B and the four brackets.

7) Tighten twenty seven bolts & washers and two reamer bolts.

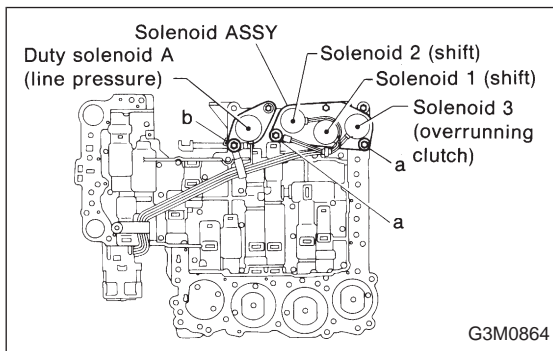
Tightening torque:

T1: 8 ± 1 N·m (0.8 ± 0.1 kg·m, 5.8 ± 0.7 ft·lb)

T2: 11.3 ± 1.5 N·m (1.15 ± 0.15 kg·m, 8.3 ± 1.1 ft·lb)

Unit: mm (in)

	a	b	c	d	e
Length	70 (2.76)	50 (1.97)	33 (1.30)	27 (1.06)	28 (1.10)
Numbers	2	6	16	1	2



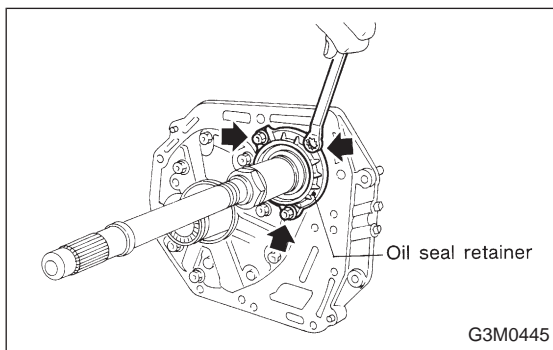
8) Install the shift solenoid and duty solenoid A.

a length : 16 mm (0.63 in)

b length : 27 mm (1.06 in)

Tightening torque:

8 ± 1 N·m (0.8 ± 0.1 kg·m, 5.8 ± 0.7 ft·lb)

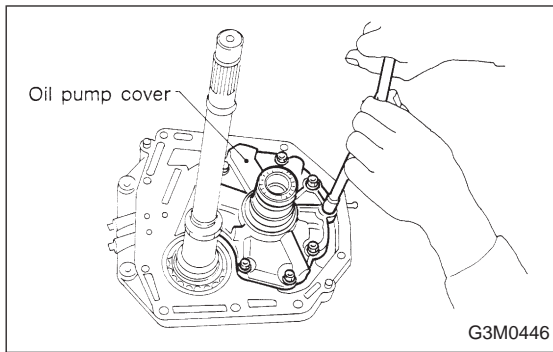


7. Oil Pump Assembly

A: DISASSEMBLY

1) Remove the oil seal retainer.

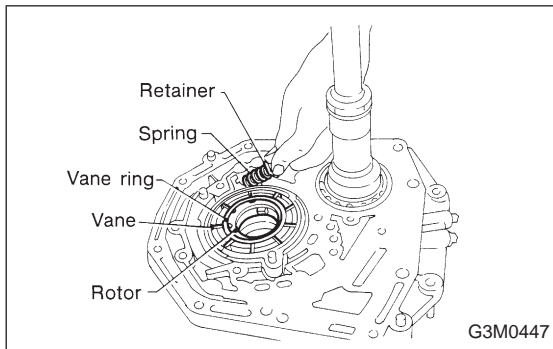
Also remove the O-ring and oil seal (air breather).



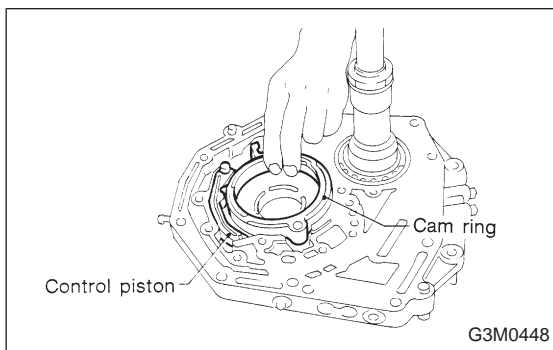
2) Remove the oil pump cover.

NOTE:

Lightly tap the end of the stator shaft to remove the cover.

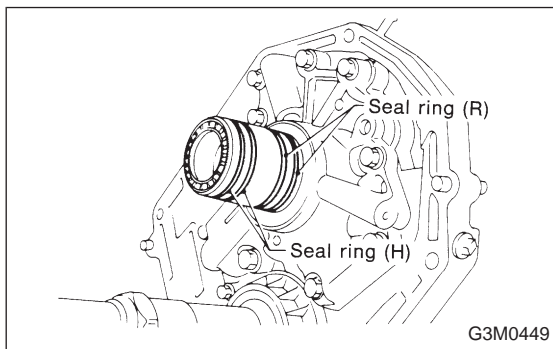


3) Remove the retainer and return spring. Then remove the rotor, two vane rings and nine vanes.



4) Remove the cam ring and control piston.

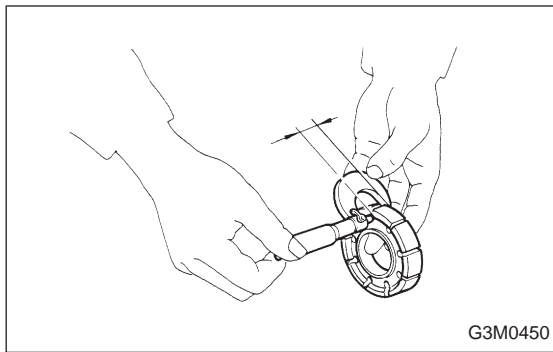
Also remove the O-ring, friction ring, two side seals, and plain seal.



5) Remove two seal rings (R) and two seal rings (H).

B: INSPECTION

1) Make sure that each component is free of harmful gouges, cuts, and dust.

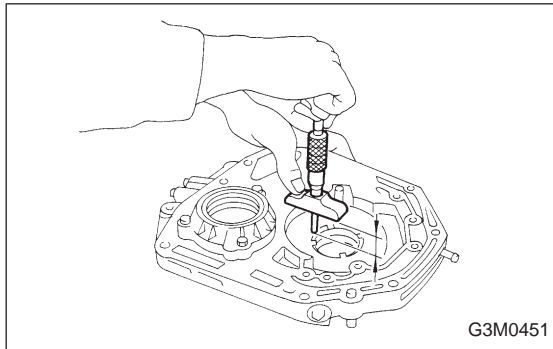


2) Selection of oil pump components (rotor, vanes, control piston and cam ring)

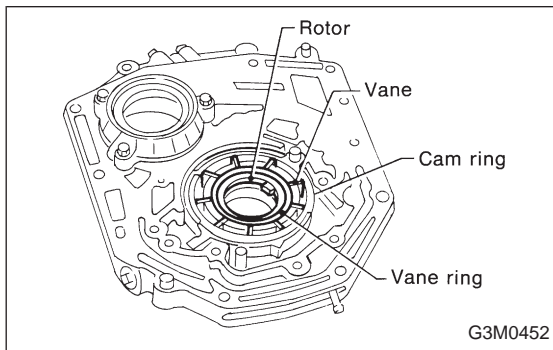
(1) Using a micrometer, measure the height of the rotor, vanes, control piston and cam ring in at least four positions. (Measure the height at one place for each of the nine vanes.)

NOTE:

- Remove the control piston seals when measuring.
- Remove the friction ring from the cam ring when measuring.



(2) Using a depth gauge, measure the depth of the oil pump housing from the contact/sliding surface of the above mentioned component parts in the same manner as above.



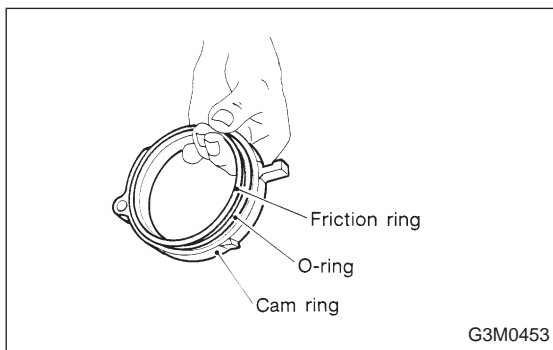
(3) Make sure that the clearances are within the specified wear limits. If the wear limit is exceeded, select pump components so that the standard clearance can be obtained.

Unit: mm (in)

Part name	Wear limit	Standard value
Rotor, control piston, vanes	0.054 (0.0021)	0.030 — 0.044 (0.0012 — 0.0017)
Cam ring	0.034 (0.0013)	0.010 — 0.024 (0.0004 — 0.0009)

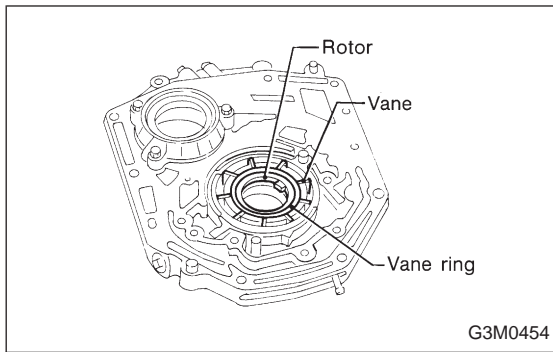
NOTE:

Select vanes which are the same height as the rotor.

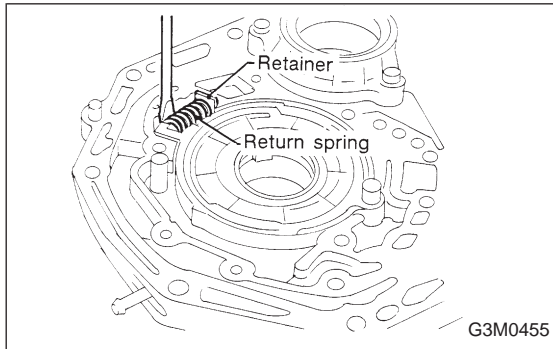


C: ASSEMBLY

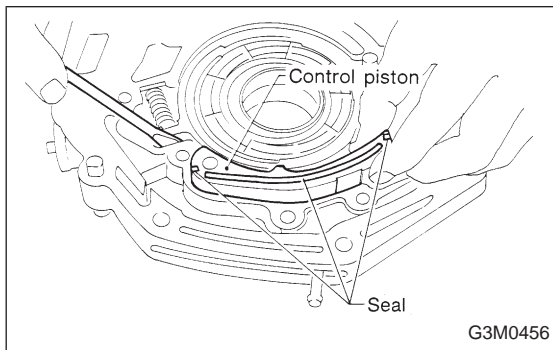
1) Coat both the O-ring and friction ring with vaseline and attach to the cam ring. Then fit them into the oil pump housing.



2) Install the vane ring, rotor and vanes into the housing in this sequence.



3) Install the return spring and retainer between the housing and cam ring.

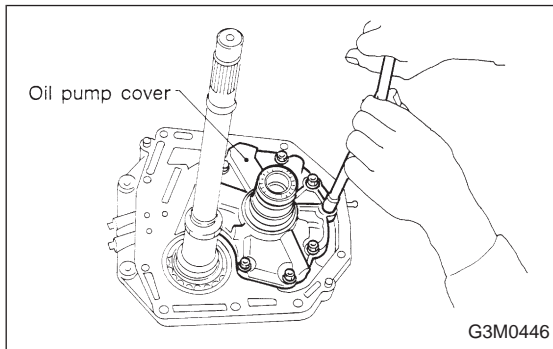


4) Install the control piston to the oil pump housing.

NOTE:

Fit the seal in the piston groove, with the red seals facing the top side. (Two side seals and one plain seal are attached.)

5) Set the rotor at the center of the housing bore. Apply ATF abundantly to each rotary portion.



6) Install the oil pump cover.

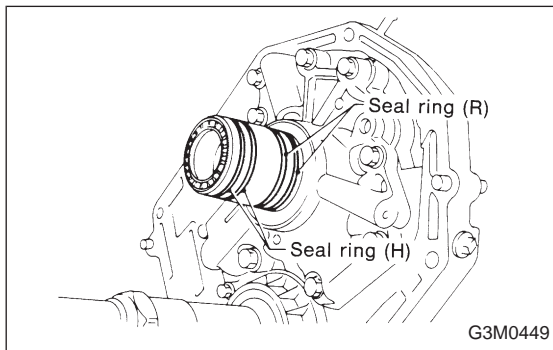
Tightening torque:

$25 \pm 2 \text{ N}\cdot\text{m}$ ($2.5 \pm 0.2 \text{ kg}\cdot\text{m}$, $18.1 \pm 1.4 \text{ ft}\cdot\text{lb}$)

NOTE:

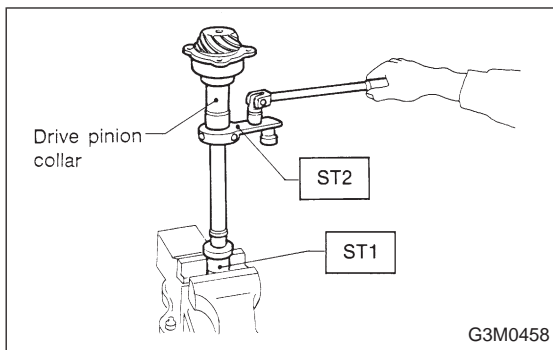
- Align both pivots with the pivot holes of the cover, and install the cover being careful not to apply undue force to the pivots.

- After assembling, turn the oil pump shaft to check for smooth rotation of the rotor.



NOTE:

- Install the oil seal retainer and seal rings (R) and (H) after adjusting the drive pinion backlash and tooth contact.



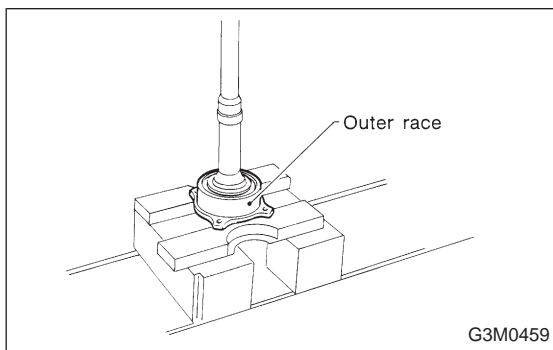
8. Drive Pinion Shaft

A: DISASSEMBLY

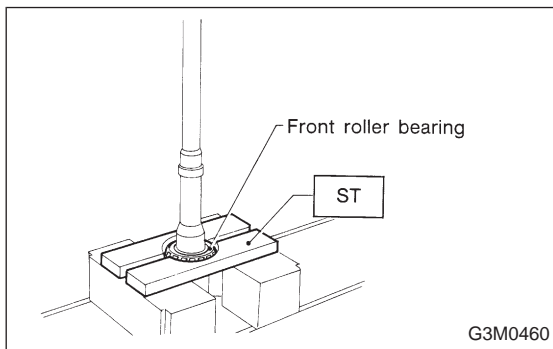
1) Straighten the staked portion of the lock nut, and remove the lock nut while locking the rear spline portion of the shaft with ST1 and ST2. Then pull off the drive pinion collar.

ST1 498937100 HOLDER
 ST2 499787100 WRENCH

NOTE:
 Remove the O-ring



2) Using a press, separate the rear roller bearing and outer race from the shaft.

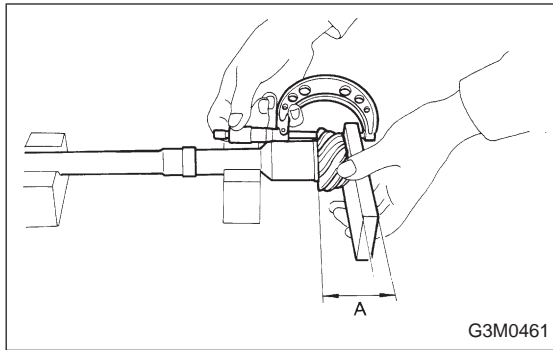


3) Using a press and ST, separate the front roller bearing from the shaft.

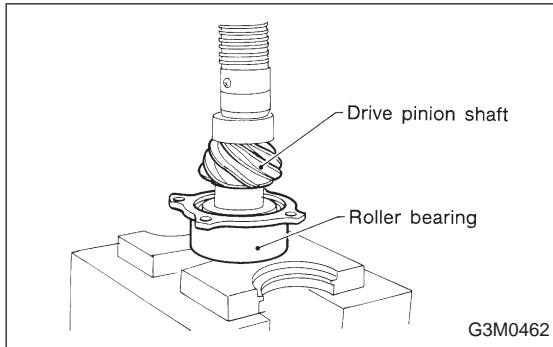
ST 498517000 REPLACER

B: INSPECTION

Make sure that all component parts are free of harmful cuts, gouges, and other faults.

**C: ASSEMBLY**

1) Measure dimension "A" of the drive pinion shaft.



2) Using a press, force-fit the roller bearing in position.

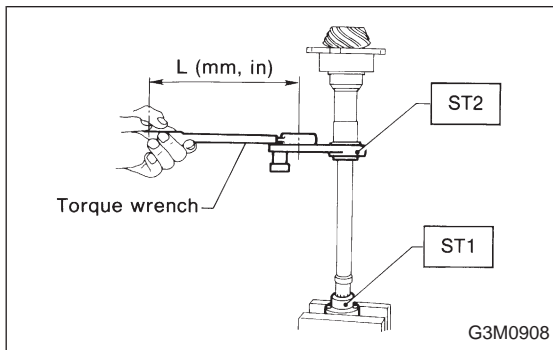
CAUTION:

Do not change the relative positions of the outer race and bearing cone.

3) After fitting the O-ring to the shaft, attach the drive pinion collar to the shaft.

CAUTION:

Be careful not to damage the O-ring.



4) Tighten the lock washer and lock nut with ST1.

ST1 498937100 HOLDER

Actual tightening torque:

$113 \pm 5 \text{ N}\cdot\text{m}$ ($11.5 \pm 0.5 \text{ kg}\cdot\text{m}$, $83.2 \pm 3.6 \text{ ft}\cdot\text{lb}$)

NOTE:

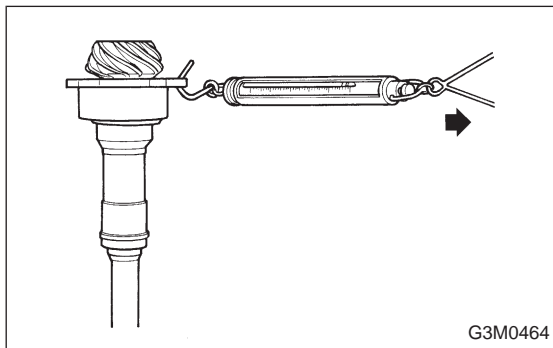
- Pay attention to the orientation of lock washer.
- Tightening torque using torque wrench is determined by the following equation:

$$T_1 = \frac{72.2}{L + 72.2} \times T$$

T : Actual tightening torque

- Install ST2 to torque wrench as straight as possible.

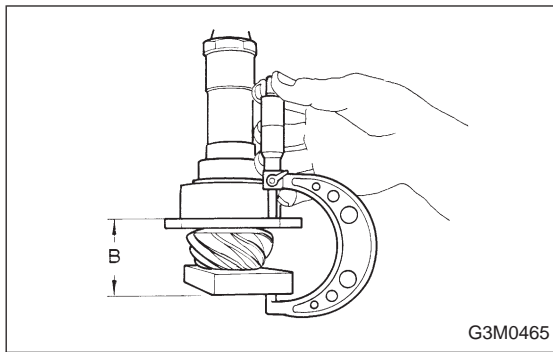
ST2 499787100 WRENCH



5) Measure the starting torque of the bearing. Make sure the starting torque is within the specified range. If out of the allowable range, replace the roller bearing.

Starting torque:

$0.3 - 2.0 \text{ N}\cdot\text{m}$ ($3 - 20 \text{ kg}\cdot\text{cm}$, $2.6 - 17.4 \text{ ft}\cdot\text{lb}$)



- 6) Stake the lock nut securely at two places.
- 7) Measure dimension "B" of the drive pinion shaft.

8) Determine the thickness *t* (mm) of the drive pinion shim.

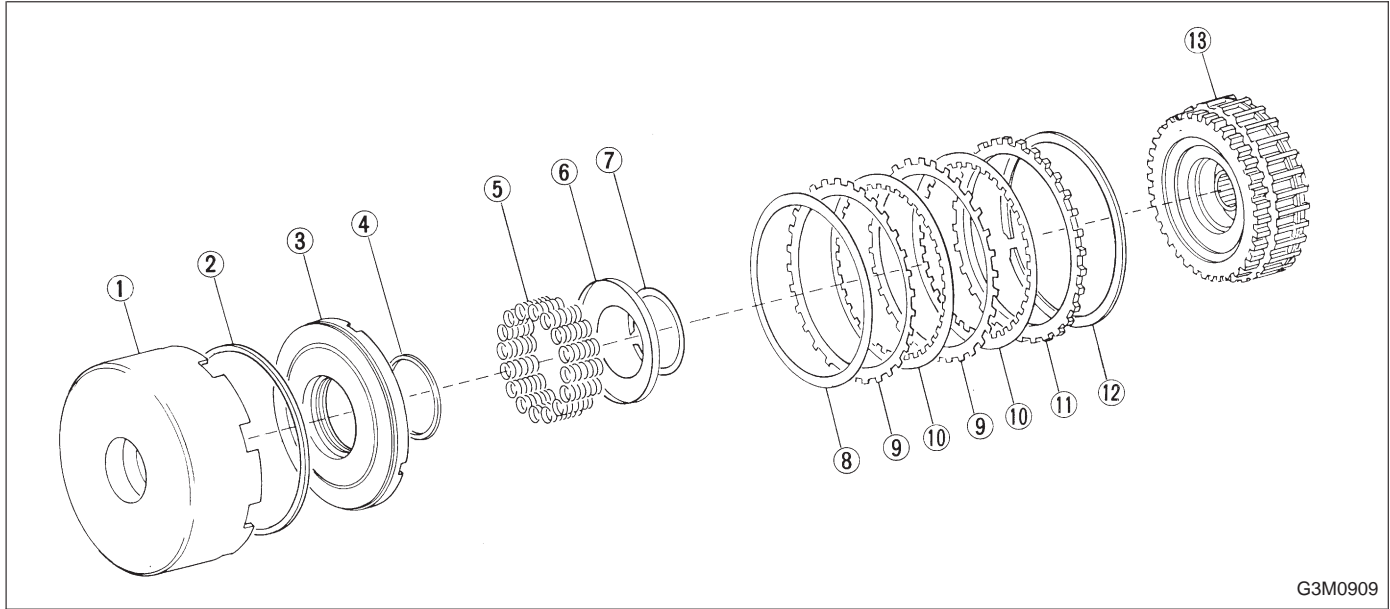
$$t = 6.5 \pm 0.0625 - (B - A)$$

NOTE:

The number of shims must be three or less.

	Part No.	Thickness mm (in)
<ul style="list-style-type: none"> ● Available drive pinion shims 	31451AA050	0.150 (0.0059)
	31451AA060	0.175 (0.0069)
	31451AA070	0.200 (0.0079)
	31451AA080	0.225 (0.0089)
	31451AA090	0.250 (0.0098)
	31451AA100	0.275 (0.0108)

9. Reverse Clutch



G3M0909

- ① Reverse clutch drum
- ② Lip seal
- ③ Reverse clutch piston
- ④ Lathe cut seal ring
- ⑤ Spring
- ⑥ Spring retainer
- ⑦ Snap ring

- ⑧ Dish plate
- ⑨ Driven plate
- ⑩ Drive plate
- ⑪ Retaining plate
- ⑫ Snap ring
- ⑬ High clutch drum

A: DISASSEMBLY

- 1) Remove the snap ring ⑫, and take out the retaining plate ⑪, drive plates ⑩, driven plates ⑨, and dish plate ⑧.
- 2) Using the ST1, ST2 and ST3, remove the snap ring ⑦ and take out the spring retainer ⑥ and springs ⑤.

ST1 398673600 COMPRESSOR

ST2 398177700 INSTALLER

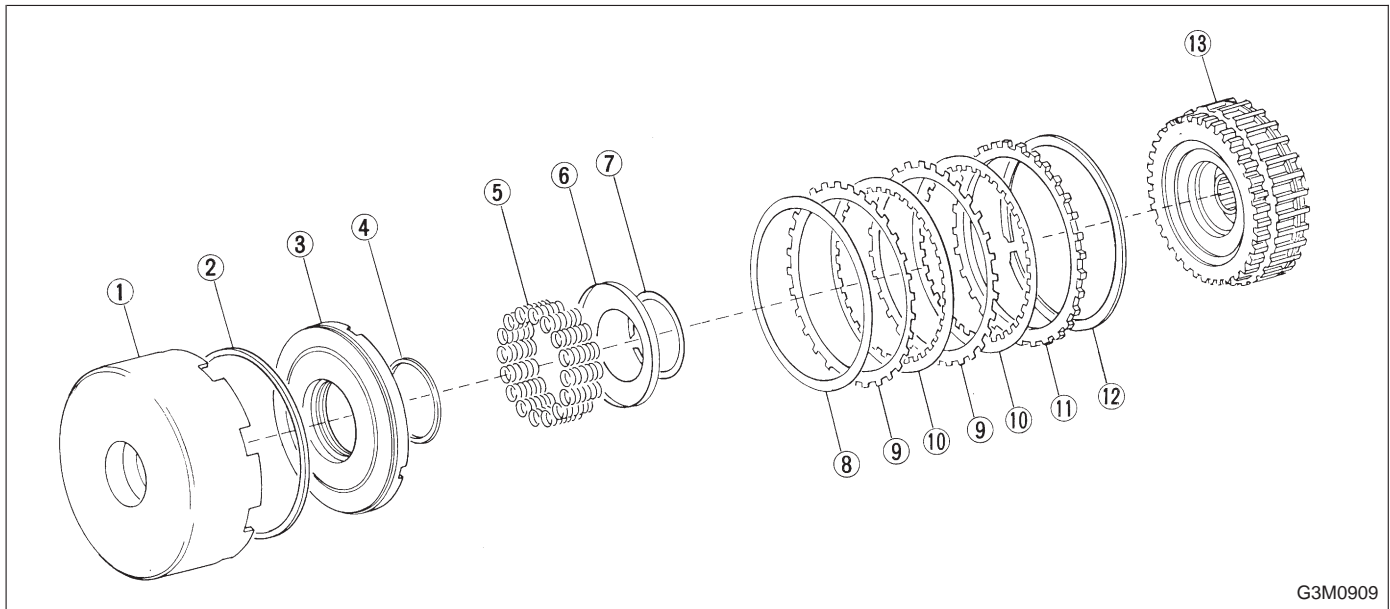
ST3 399893600 PLIERS

- 3) Take out the piston ③ by applying compressed air.

B: INSPECTION

- 1) Drive plate facing for wear and damage
- 2) Snap ring for wear, return spring for breakage or setting, and spring retainer for deformation
- 3) Lip seal and lathe cut seal ring for damage
- 4) Piston check ball for operation

C: ASSEMBLY



G3M0909

- ① Reverse clutch drum
- ② Lip seal
- ③ Reverse clutch piston
- ④ Lathe cut seal ring
- ⑤ Spring
- ⑥ Spring retainer
- ⑦ Snap ring
- ⑧ Dish plate
- ⑨ Driven plate
- ⑩ Drive plate
- ⑪ Retaining plate
- ⑫ Snap ring
- ⑬ High clutch drum

1) Using the ST1, ST2 and ST3 as those used in disassembling, assemble piston ③ the springs ⑤, spring retainer ⑥ and snap ring ⑦.

- ST1 398673600 COMPRESSOR
- ST2 398177700 INSTALLER
- ST3 399893600 PLIERS

2) Assemble the dish plate ⑧, driven plates ⑨, drive plates ⑩ and retaining plate ⑪ in that order and attach the snap ring ⑫.

NOTE:

Pay attention to the orientation of the dish plate.

3) Checking operation:

Apply compressed air intermittently to the oil hole, and check the reverse clutch for smooth operation.

4) Measuring clearance (Retaining plate selection):

Standard value:

0.5 — 0.8 mm (0.020 — 0.031 in)

Allowable limit:

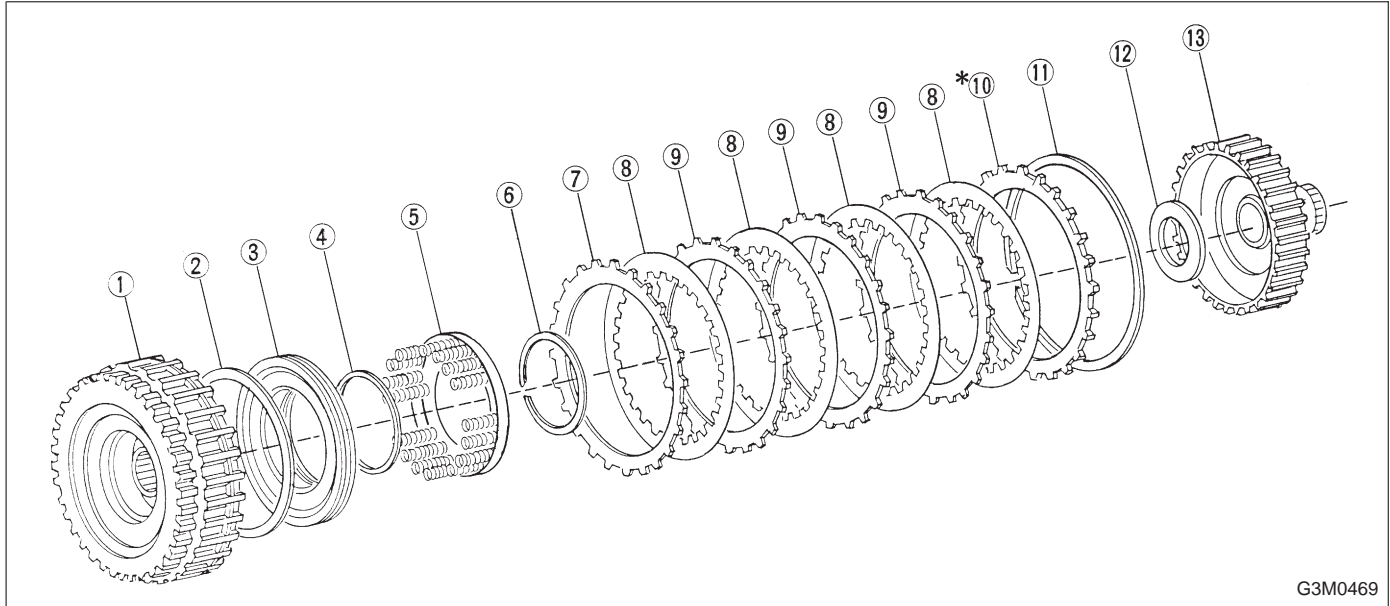
1.2 mm (0.047 in)

NOTE:

Before measuring clearance, place the same thickness of shim on both sides to prevent retaining plate from tilting.

	Part No.	Thickness mm (in)
● Available retaining plates	31567AA350	4.6 (0.181)
	31567AA360	4.8 (0.189)
	31567AA370	5.0 (0.197)
	31567AA380	5.2 (0.205)
	31567AA390	5.4 (0.213)
	31567AA400	5.6 (0.220)

10. High Clutch



G3M0469

- ① High clutch drum
- ② Lathe cut seal ring
- ③ High clutch piston
- ④ Lathe cut seal ring
- ⑤ Spring retainer
- ⑥ Snap ring
- ⑦ Driven plate (Thinner)

- ⑧ Drive plate
- ⑨ Driven plate (Thicker)
- *⑩ Retaining plate
- ⑪ Snap ring
- ⑫ Thrust needle bearing
- ⑬ High clutch hub

A: DISASSEMBLY

1) Remove the snap ring ⑪, and take out the retaining plate ⑩, drive plates ⑧, and driven plates ⑦, ⑨.

2) Using the ST1, ST2 and ST3, remove the snap ring ⑥ and take out the spring retainer ⑤.

ST1 398673600 COMPRESSOR

ST2 398177700 INSTALLER

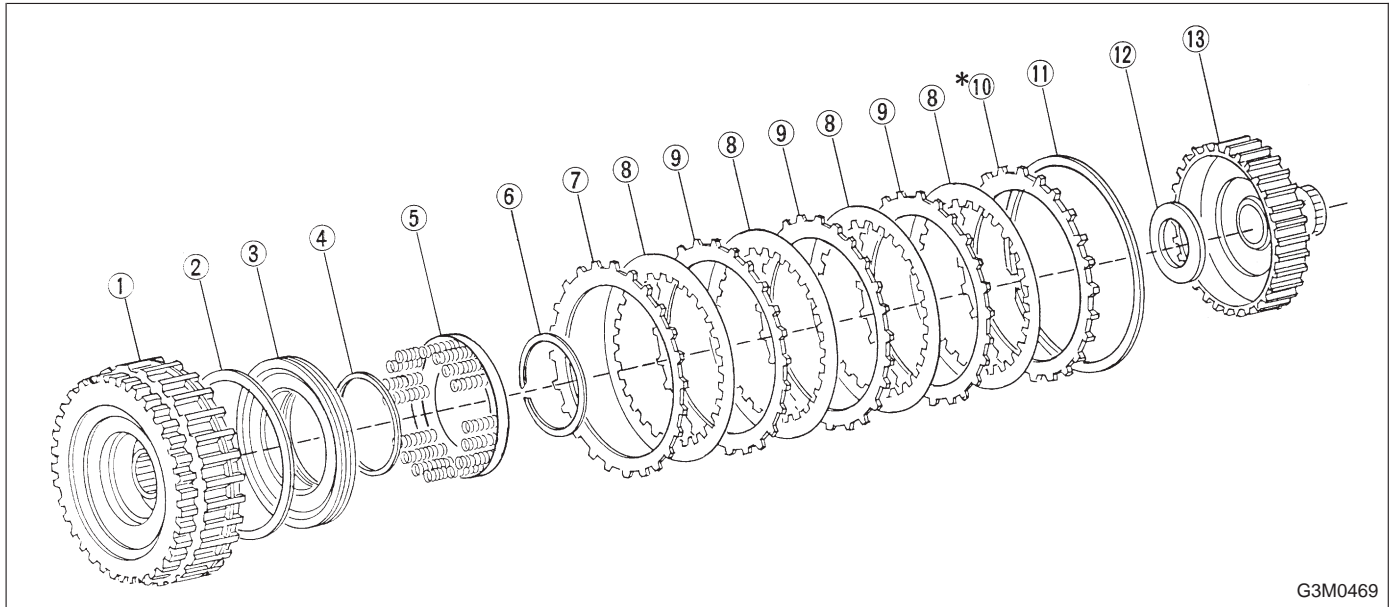
ST3 399893600 PLIERS

3) Apply compressed air to the clutch drum ① to remove the piston ③.

B: INSPECTION

- 1) Drive plate facing for wear and damage
- 2) Snap ring for wear, return spring for setting and breakage, and spring retainer for deformation
- 3) Lathe cut seal rings (large) (small) for damage
- 4) Piston check ball for smooth operation

C: ASSEMBLY



G3M0469

- | | |
|--------------------------|--------------------------|
| ① High clutch drum | ⑧ Drive plate |
| ② Lathe cut seal ring | ⑨ Driven plate (Thicker) |
| ③ High clutch piston | ⑩ Retaining plate |
| ④ Lathe cut seal ring | ⑪ Snap ring |
| ⑤ Spring retainer | ⑫ Thrust needle bearing |
| ⑥ Snap ring | ⑬ High clutch hub |
| ⑦ Driven plate (Thinner) | |

1) Using the ST1, ST2 and ST3 as those used in disassembling, assemble the piston ③, spring retainer ⑤, and snap ring ⑥.

ST1 398673600 COMPRESSOR

ST2 398177700 INSTALLER

ST3 399893600 PLIERS

2) Install the driven plate (thinner) ⑦, drive plates ⑧, driven plates (thicker) ⑨, and retaining plate ⑩ in that order. Then attach the snap ring ⑪.

3) Checking operation:

Apply compressed air intermittently to the oil hole, and check the high clutch for smooth operation.

4) Measuring clearance (Retaining plate selection):

Standard value:

1.8 — 2.2 mm (0.071 — 0.087 in)

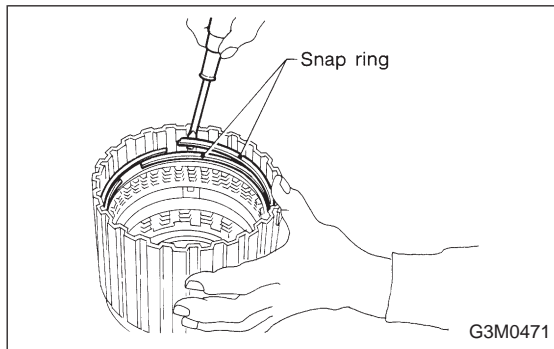
Allowable limit:

2.6 mm (0.102 in)

NOTE:

Before measuring clearance, place the same thickness of shim on both sides to prevent retaining plate from tilting.

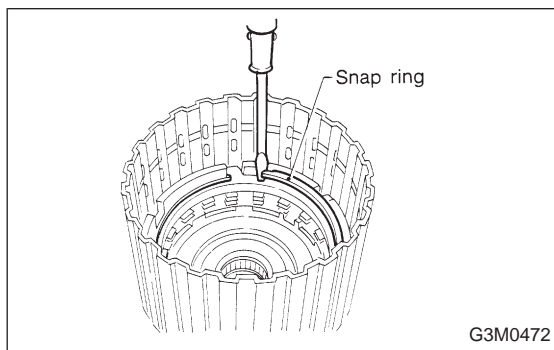
● Available retaining plates	Part No.	Thickness mm (in)
	31567AA190	3.6 (0.142)
31567AA200	3.8 (0.150)	
31567AA210	4.0 (0.157)	
31567AA220	4.2 (0.165)	
31567AA230	4.4 (0.173)	
31567AA240	4.6 (0.181)	
31567AA250	4.8 (0.189)	
31567AA260	5.0 (0.197)	



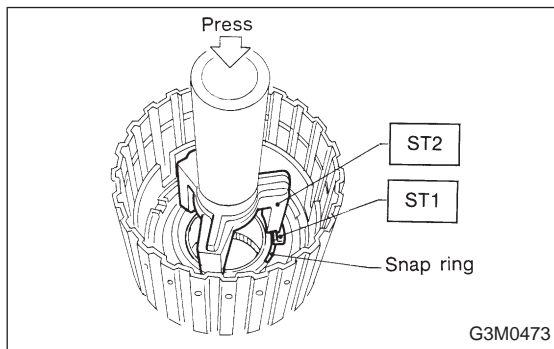
11. Forward Clutch Drum

A: DISASSEMBLY

- 1) Remove two snap rings from the forward clutch drum.
- 2) Remove the retaining plate, drive plates, driven plates and dish plate. (Forward clutch)

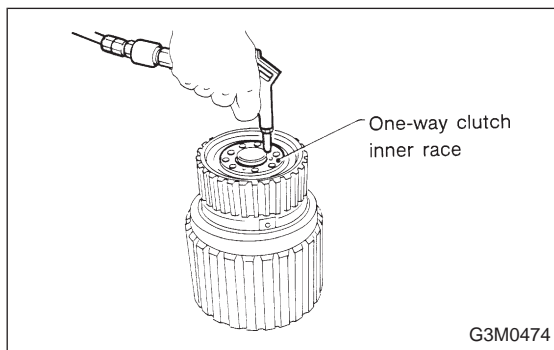


- 3) Remove the snap ring from the forward clutch drum.
- 4) Remove the retaining plate, drive plates, driven plates and dish plate. (Overrunning clutch)

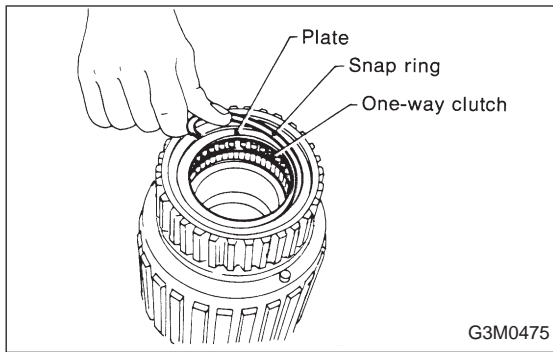


- 5) Compress the spring retainer, and remove the snap ring from the forward clutch, by using ST1 and ST2.

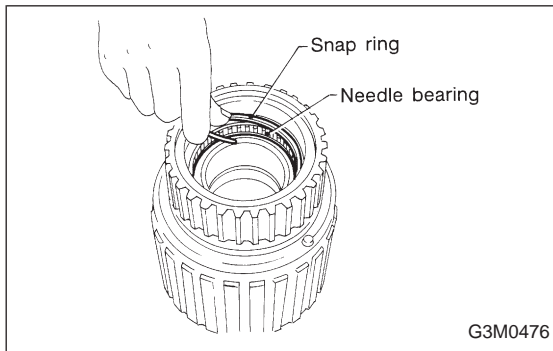
ST1 498627100 SEAT
ST2 398673600 COMPRESSOR



- 6) Install the one-way clutch inner race to the forward clutch drum, and apply compressed air to remove the overrunning piston and forward piston.



7) Remove the one-way clutch after taking out the snap ring.

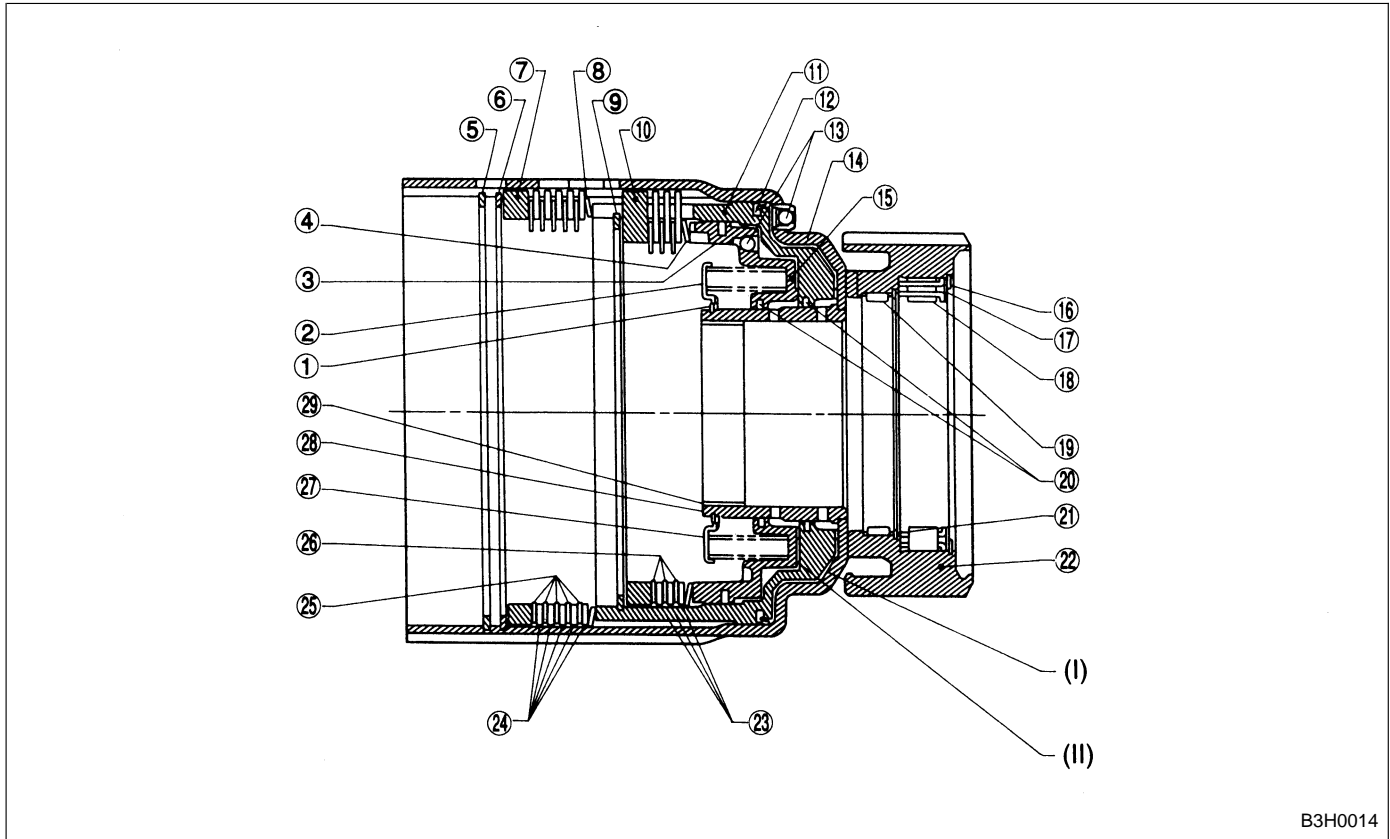


8) Remove the needle bearing after taking out the snap ring.

B: INSPECTION

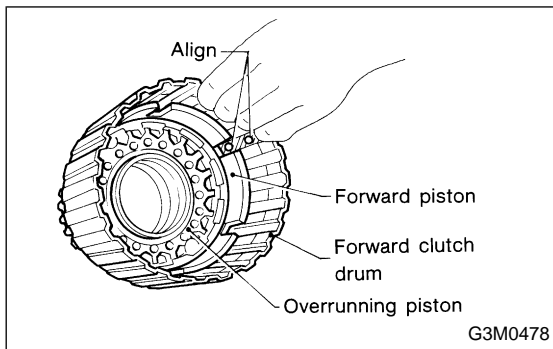
- 1) Drive plate facing for wear and damage
- 2) Snap ring for wear, return spring for setting and breakage, and snap ring retainer for deformation
- 3) Lip seal and lathe cut ring for damage
- 4) Piston and drum check ball for operation

C: ASSEMBLY



B3H0014

- | | | |
|-----------------------|-----------------------------|--------------------------|
| ① Snap ring | ⑪ Forward clutch piston | ⑳ Snap ring |
| ② Retainer | ⑫ Lathe cut seal ring | ㉑ Outer race |
| ③ Lathe cut seal ring | ⑬ Drift ball | ㉒ Driven plate |
| ④ Dish plate | ⑭ Forward clutch drum | ㉓ Driven plate (Thinner) |
| ⑤ Snap ring | ⑮ Overrunning clutch piston | ㉔ Driven plate (Thicker) |
| ⑥ Snap ring | ⑯ Snap ring | ㉕ Drive plate |
| ⑦ Retaining plate | ⑰ Plate | ㉖ Drive plate |
| ⑧ Dish plate | ⑱ O.W.C. (1-2) | ㉗ Sleeve |
| ⑨ Snap ring | ㉒ Needle bearing | ㉘ Bushing |
| ⑩ Retaining plate | ㉓ Lathe cut seal ring | |

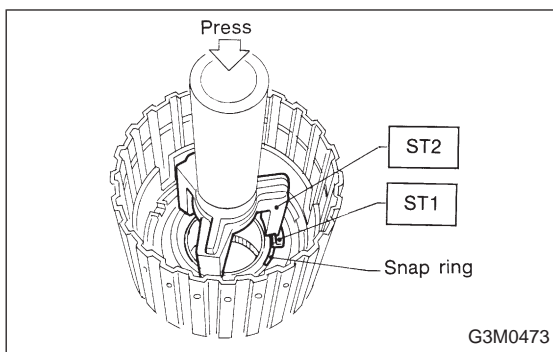


G3M0478

1) Fit the forward piston and overrunning piston to the forward clutch drum.

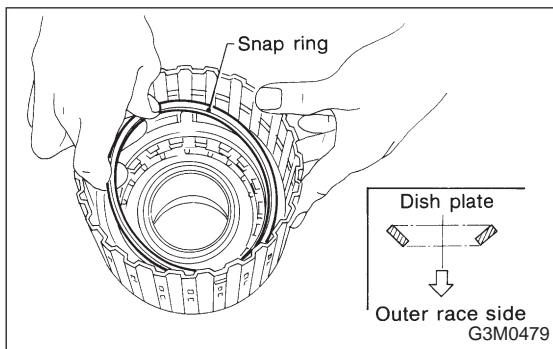
NOTE:

Align the forward piston cut-out portion with the spline of the drum.



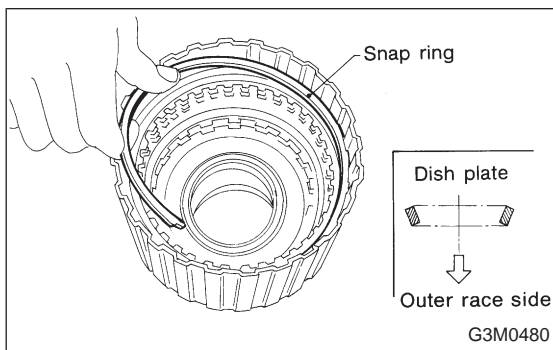
2) Set the retainer on the piston with a press using ST1 and ST2, and attach the snap ring.

ST1 498627000 SEAT
 ST2 398673600 COMPRESSOR



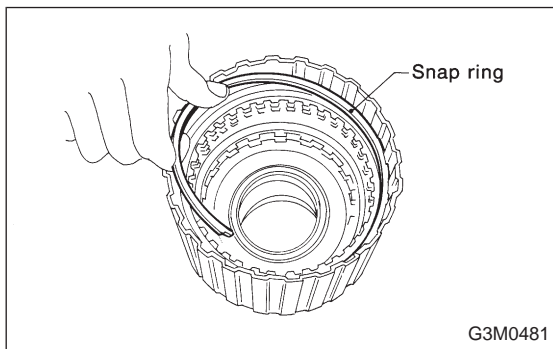
3) Install the dish plate, driven plates, drive plates, and retaining plate, and secure with the snap ring. (Overrunning clutch)

NOTE:
 Pay attention to the orientation of the dish plate.

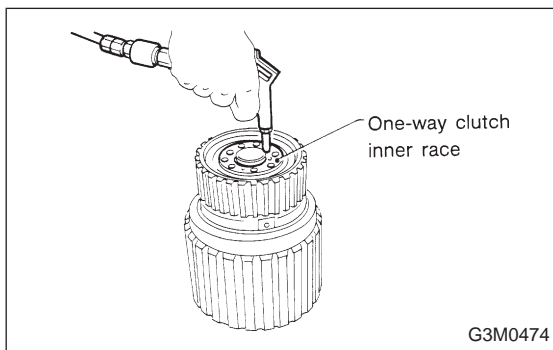


4) Install the dish plates, driven plates, drive plates, and retaining plate, and secure with the snap ring. (Forward clutch)

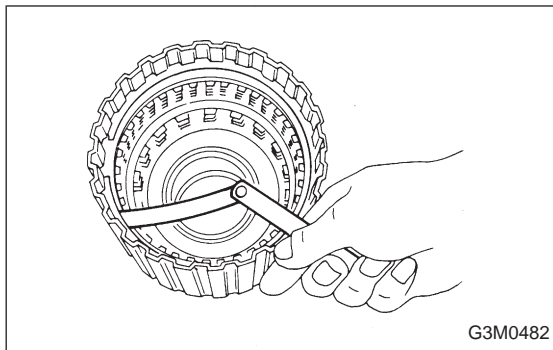
NOTE:
 Pay attention to the orientation of the dish plate.



5) Install the snap ring (for front planetary carrier).



6) Check the forward clutch and overrunning clutch for operation. Set the one-way clutch inner race, and apply compressed air for checking.



7) Checking clearance:

- Forward clutch

Standard value:

0.45 — 0.85 mm (0.0177 — 0.0335 in)

Allowable limit:

1.6 mm (0.063 in)

- Overrunning clutch

Standard value:

1.0 — 1.4 mm (0.039 — 0.055 in)

Allowable limit:

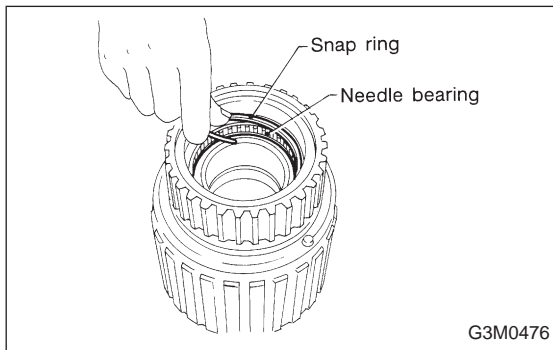
2.0 mm (0.079 in)

NOTE:

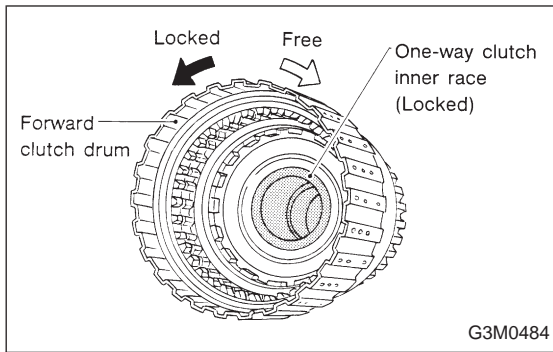
Before measuring clearance, place the same thickness of shim on both sides to prevent retaining plate from tilting.

If the clearance is out of the specified range, select a proper retaining plate so that the standard clearance can be obtained.

	Part No.	Thickness mm (in)
● Forward clutch	31567AA270	4.0 (0.157)
	31567AA280	4.2 (0.165)
	31567AA290	4.4 (0.173)
	31567AA300	4.6 (0.181)
	31567AA310	4.8 (0.189)
	31567AA320	5.0 (0.197)
	31567AA330	5.2 (0.205)
● Overrunning clutch	31567AA120	8.0 (0.315)
	31567AA130	8.2 (0.323)
	31567AA140	8.4 (0.331)
	31567AA150	8.6 (0.339)
	31567AA160	8.8 (0.346)
	31567AA170	9.0 (0.354)
	31567AA180	9.2 (0.362)



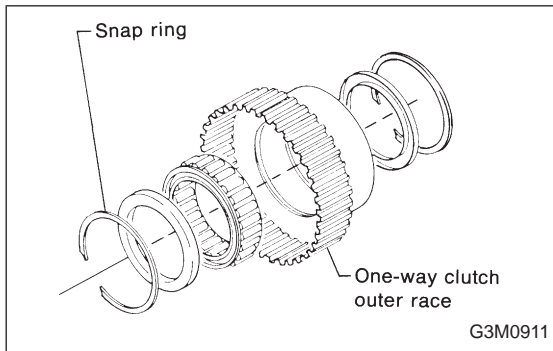
8) Install the needle bearing, and secure with the snap ring.



9) Install the one-way clutch (1-2) and plate, and secure with the snap ring.

NOTE:

Set the inner race. Make sure that the forward clutch is free in the clockwise direction and locked in the counterclockwise direction, as viewed from the front of the vehicle.



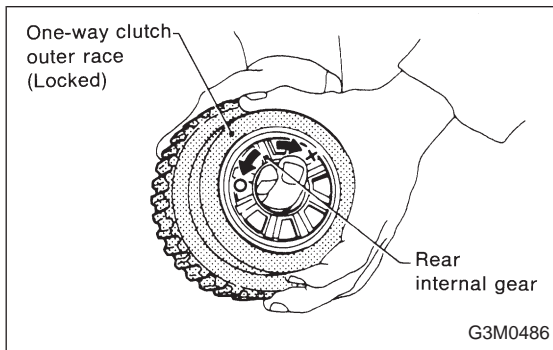
12. One-way Clutch Outer Race

A: DISASSEMBLY

Remove the snap ring. Then remove the one-way clutch (3-4).

B: INSPECTION

Check the sliding surface and one-way clutch (3-4) for any harmful cuts, damage, or other faults.



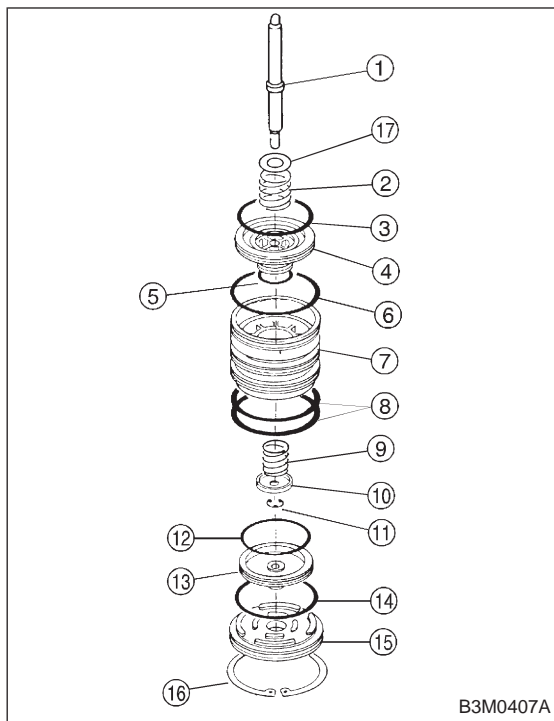
C: ASSEMBLY

1) Assemble the one-way clutch (3-4), and secure with the snap ring.

NOTE:

Pay attention to the orientation of the one-way clutch (3-4).

2) Assemble the rear internal gear, and secure the outer race. Make sure that the internal gear is locked in the clockwise direction, and free to rotate in the counterclockwise direction.



13. Servo Piston

- ① Band servo piston stem
- ② Spring
- ③ Lathe cut seal ring
- ④ Band servo piston (1-2)
- ⑤ Lathe cut seal ring
- ⑥ O-ring
- ⑦ Band servo retainer
- ⑧ O-ring
- ⑨ Spring
- ⑩ Retainer
- ⑪ Snap ring
- ⑫ Lathe cut seal ring
- ⑬ Band servo piston (3-4)
- ⑭ O-ring
- ⑮ O.D. servo retainer
- ⑯ Snap ring
- ⑰ Washer

A: DISASSEMBLY

- 1) Remove the spring.
- 2) Remove the band servo piston (3-4).
- 3) While compressing the retainer from above, remove the snap ring. Then remove the retainer, spring and stem.
- 4) Take out the band servo piston (1-2).

B: INSPECTION

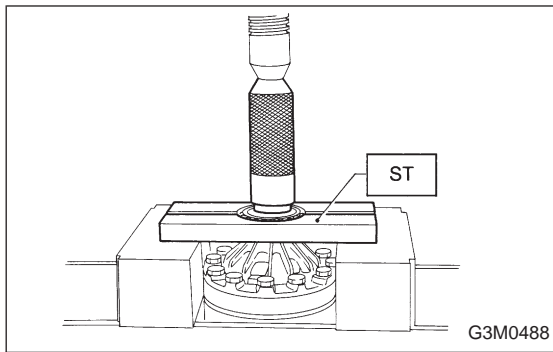
- 1) Check each component for harmful cuts, damage, or other faults.
- 2) Check the O-ring and lathe cut ring for damage.

C: ASSEMBLY

- 1) Install the band servo piston (1-2) to the retainer, and insert the stem.
- 2) Put the spring and retainer on the piston. Fit the snap ring securely while compressing the spring.
- 3) Install the band servo piston (3-4).
- 4) Install the spring securely to the band servo piston (1-2).

CAUTION:

- Many different O-rings and lathe cut rings are used. Be careful not to confuse them when installing.
- Be careful not to damage O-rings and lathe cut rings.



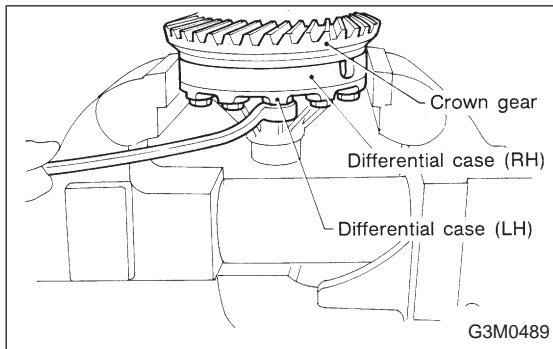
14. Differential Case Assembly

A: DISASSEMBLY

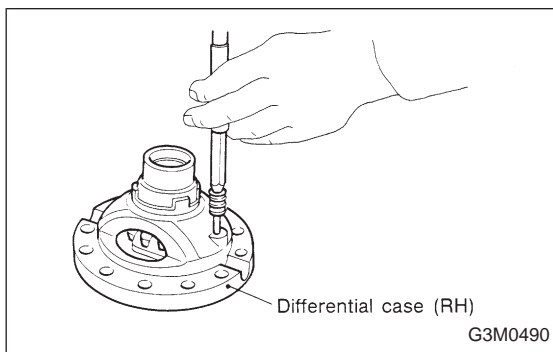
- 1) Using a press and ST, remove the tapered roller bearing.
ST 498077000 REMOVER

CAUTION:

Be careful not to damage the speedometer drive gear.



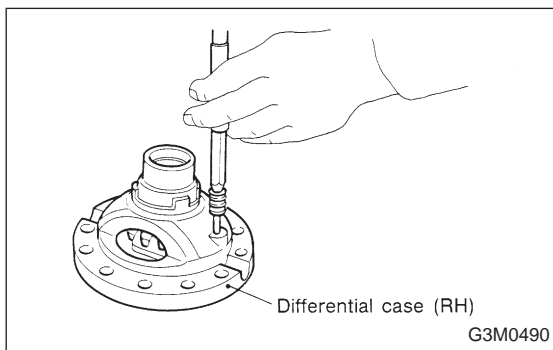
- 2) Secure the case in a vise and remove the crown gear tightening bolts, then separate the crown gear, case (RH) and case (LH).



- 3) Pull out the straight pin and shaft, and remove the differential bevel gear, washer, and differential bevel pinion.

B: INSPECTION

Check each component for harmful cuts, damage and other faults.

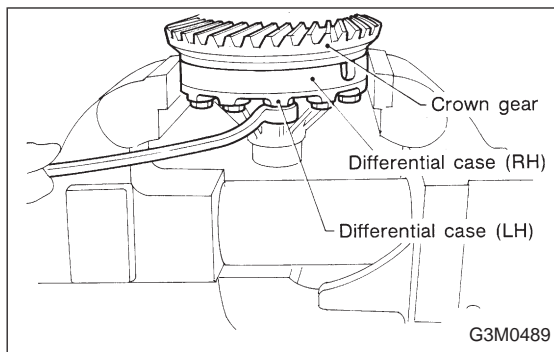


C: ASSEMBLY

- 1) Install the washer, differential bevel gear and differential bevel pinion in the differential case (RH). Insert the pinion shaft, and fit the straight pin.

NOTE:

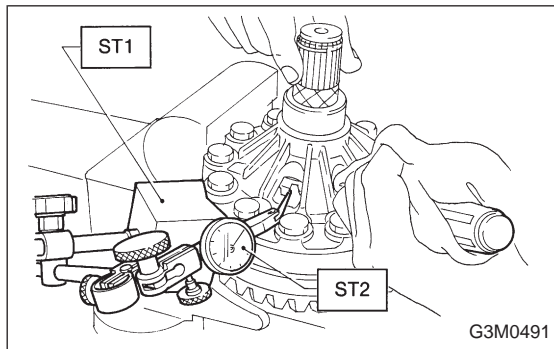
Install straight pin from reverse direction.



- 2) Install the washer and differential bevel gear to the differential case (LH). Then put the case over the differential case (RH), and connect both cases.
- 3) Install the crown gear and secure by tightening the bolt.

Standard tightening torque:

$62 \pm 5 \text{ N}\cdot\text{m}$ ($6.3 \pm 0.5 \text{ kg}\cdot\text{m}$, $45.6 \pm 3.6 \text{ ft}\cdot\text{lb}$)



- 4) Measurement of backlash (Selection of washer)
Measure the gear backlash with ST1 and ST2, and insert ST2 through the access window of the case.

ST1 498247001 MAGNET BASE

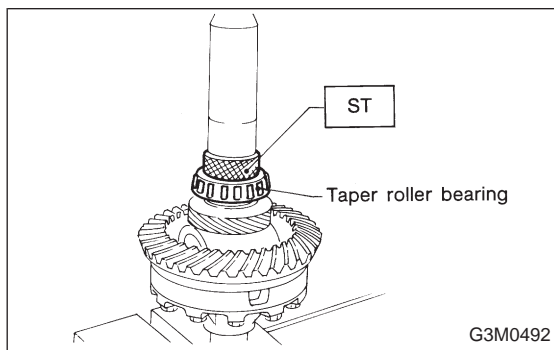
ST2 498247100 DIAL GAUGE

Standard value:

$0.13 - 0.18 \text{ mm}$ ($0.0051 - 0.0071 \text{ in}$)

NOTE:

Measure the backlash by applying a pinion tooth between two bevel gear teeth.

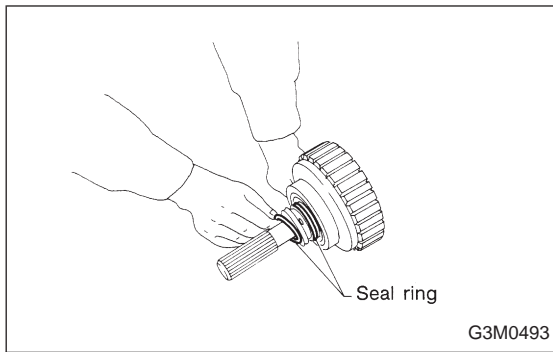


- 5) Install the speedometer drive gear. Then force-fit the taper roller bearing with a press and ST.

ST 398487700 DRIFT

CAUTION:

Be sure to position correctly the locking end of the speedometer drive gear.



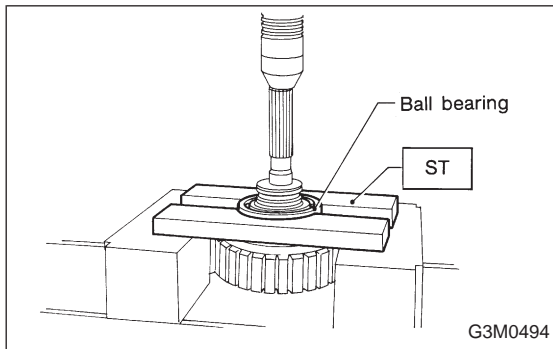
15. Transfer Clutch

A: DISASSEMBLY

1) Remove the seal ring.

CAUTION:

Be careful not to damage the seal ring.

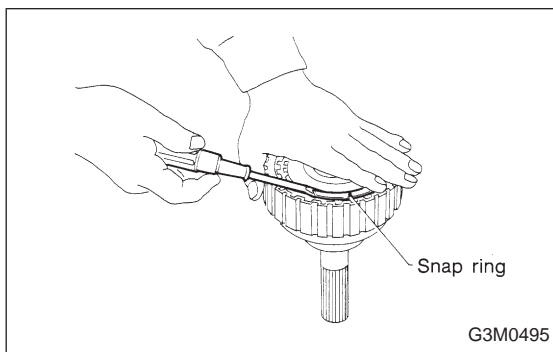


2) Using a press and ST, remove the ball bearing.

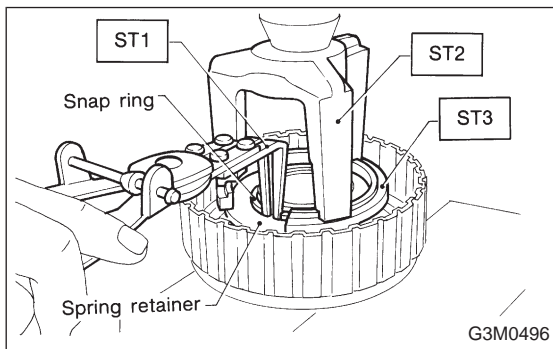
ST 498077000 REMOVER

CAUTION:

Do not reuse the bearing.



3) Remove the snap ring, and take out the pressure plate, drive plates, and driven plates.

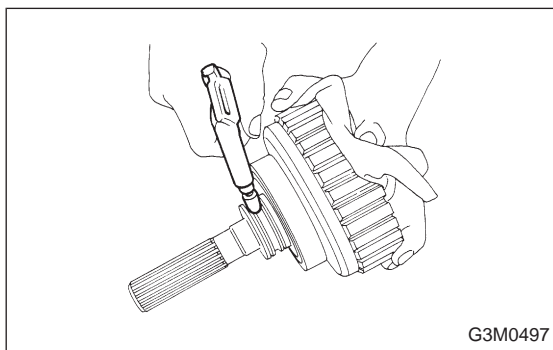


4) Remove the snap ring with ST1, ST2 and ST3, and take out the spring retainer.

ST1 399893600 PLIERS

ST2 398673600 COMPRESSOR

ST3 498627000 SEAT



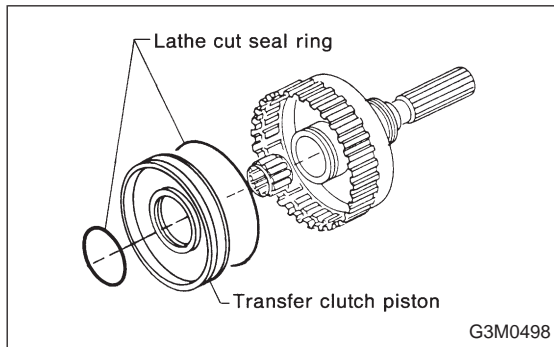
5) Apply compressed air to the rear drive shaft to remove the piston.

B: INSPECTION

- 1) Check the drive plate facing for wear and damage.
- 2) Check the snap ring for wear, return spring for permanent set and breakage, and spring retainer for deformation.
- 3) Check the lathe cut ring for damage.

C: ASSEMBLY

- 1) Install the lathe cut seal ring to the I.D./O.D. of the transfer clutch piston.



- 2) Install piston.

(1) Connect piston to rear drive shaft (until it reaches hole in valve body).

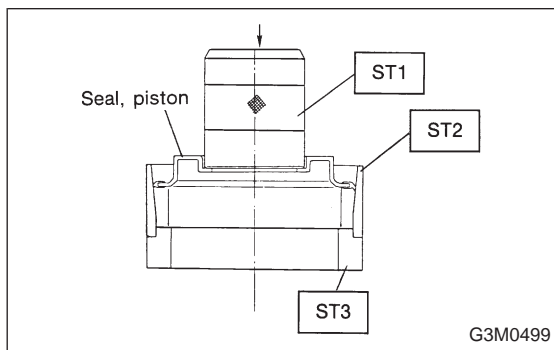
(2) Install spring retainer to piston.

(3) Using ST1, ST2 and ST3, attach transfer piston seal to ST2.

ST1	499247400	INSTALLER
ST2	499257400	PISTON GUIDE
ST3	498267400	TABLE

CAUTION:

Be careful not to tilt transfer piston seal.



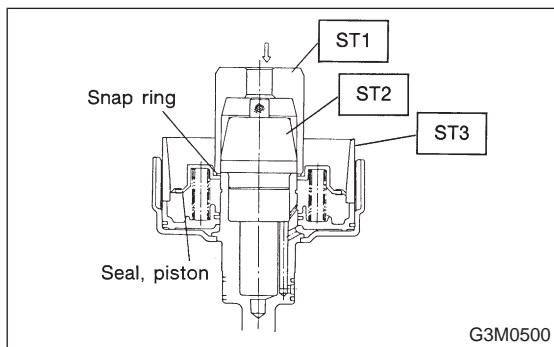
(4) Place ST3 onto rear drive shaft so that spring can be inserted into hole in transfer piston seal.

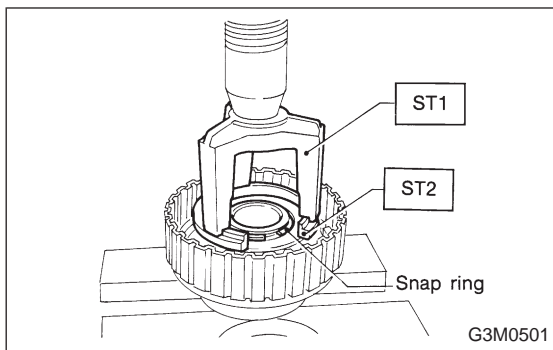
(5) Attach ST2 to rear drive shaft. Using ST1, press into place.

ST1	499247400	INSTALLER
ST2	499257300	SNAP RING OUTER GUIDE
ST3	499257400	PISTON GUIDE

CAUTION:

Do not allow lip of transfer piston seal to fold back.

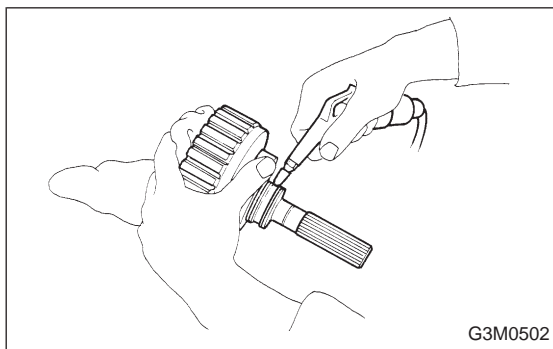




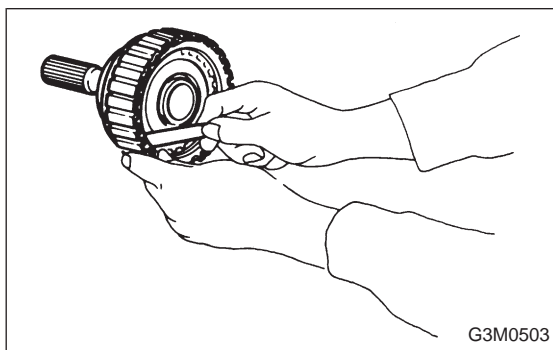
3) Install the driven plates, drive plates, and pressure plate, and secure with a snap ring with ST1, ST2 and a press.

ST1 398673600 COMPRESSOR

ST2 498627000 SEAT



4) Apply compressed air to see if the assembled parts move smoothly.



5) Check the clearance.

Standard value:

0.2 — 0.6 mm (0.008 — 0.024 in)

Allowable limit:

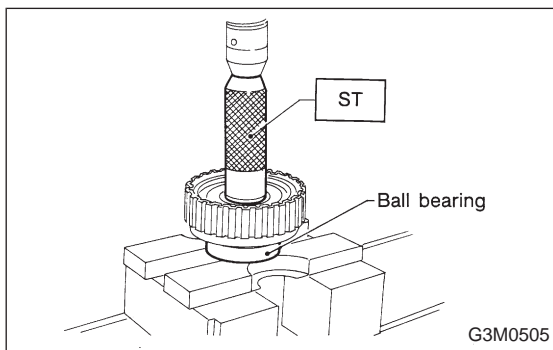
1.6 mm (0.063 in)

If the clearance is not within the specified range, select a proper pressure plate.

NOTE:

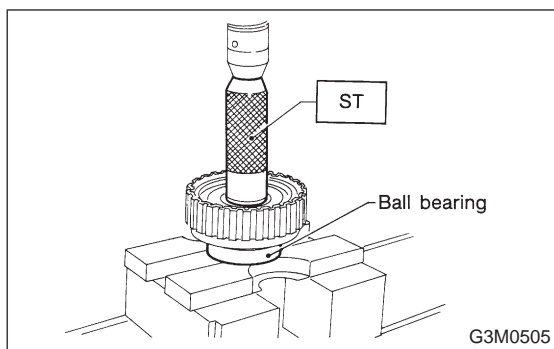
Before measuring clearance, place the same thickness of shim on both sides to prevent pressure plate from tilting.

	Part No.	Thickness mm (in)
● Available pressure plates	31593AA151	3.3 (0.130)
	31593AA161	3.7 (0.146)
	31593AA171	4.1 (0.161)
	31593AA181	4.5 (0.177)



6) Press-fit the ball bearing with ST.

ST 899580100 INSTALLER

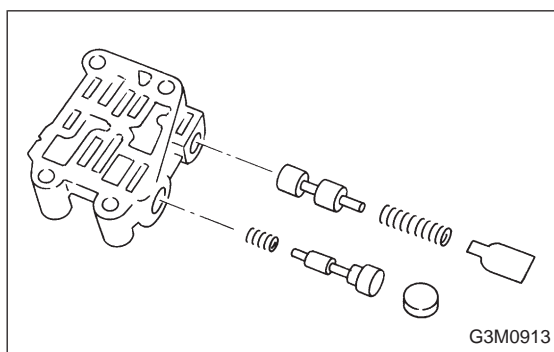


7) Coat the seal ring with vaseline, and install it in the seal ring groove of the shaft.

CAUTION:

Do not expand the seal ring excessively when installing.

ST 899580100 INSTALLER



16. Transfer Valve Body

A: DISASSEMBLY

1) Remove the plate. Then remove the spring and pilot valve together.

2) Remove the straight pin and pry out the plug with a screwdriver. Then extract the spring and transfer clutch valve together.

CAUTION:

Be careful not to damage the valve and valve body.

B: INSPECTION

Check each component for harmful cuts, damage, or other faults.

C: ASSEMBLY

To assemble, reverse the removal sequence.

NOTE:

Make sure the valve slides smoothly after assembling.