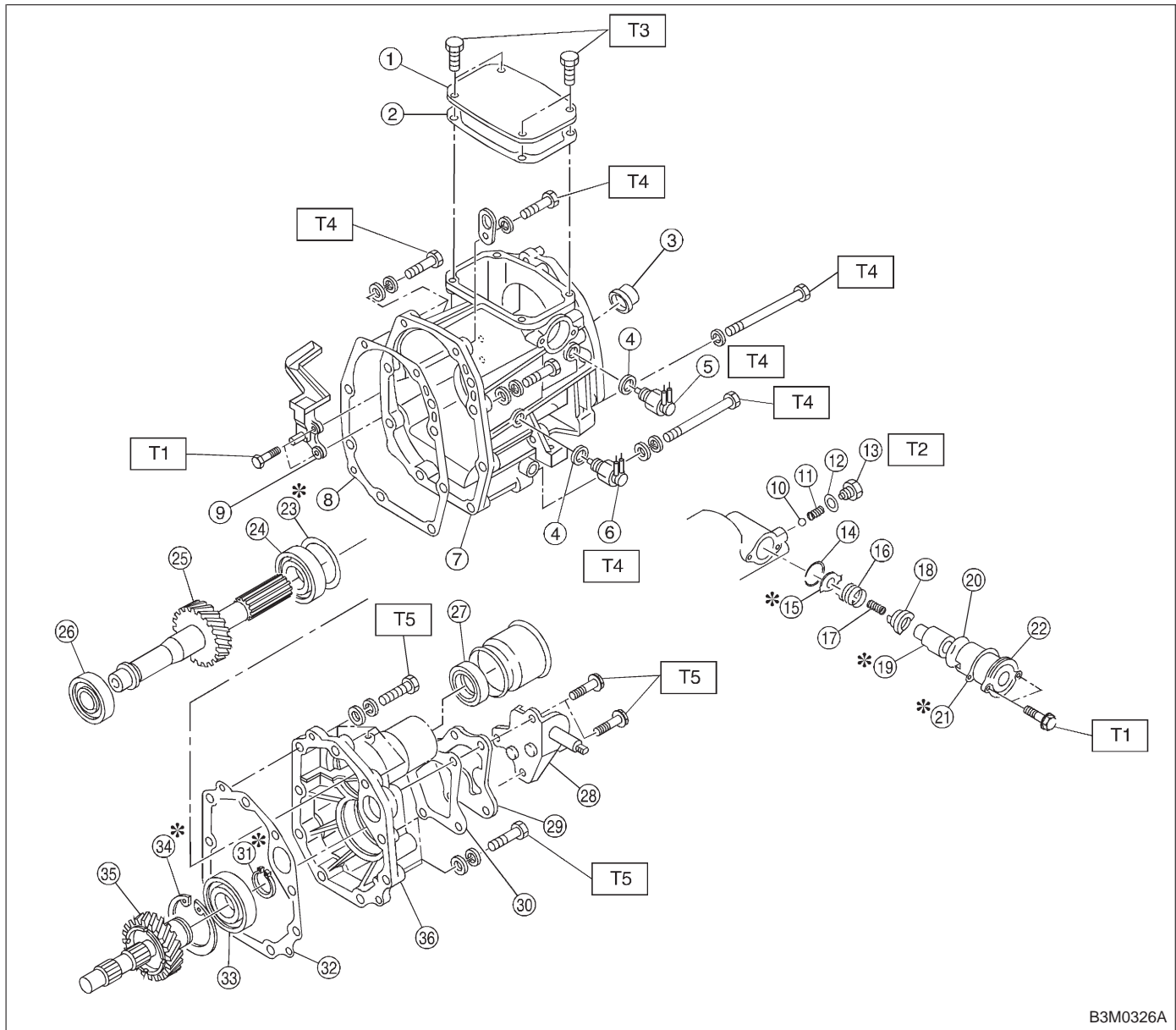


1. Transfer Case and Extension (AWD Model)



B3M0326A

- | | | |
|-------------------------|-------------------------|------------------------|
| ① Transfer cover | ⑩ Ball | ⑳ Snap ring (Outer-30) |
| ② Cover gasket | ⑪ Reverse accent spring | ㉑ Gasket |
| ③ Oil seal | ⑫ Gasket | ㉒ Ball bearing |
| ④ Gasket | ⑬ Plug | ㉓ Snap ring (Inner-72) |
| ⑤ Neutral switch | ⑭ Snap ring (Inner) | ㉔ Transfer drive gear |
| ⑥ Back-up light switch | ⑮ Reverse check plate | ㉕ Extension |
| ⑦ Transfer case | ⑯ Reverse check spring | |
| ⑧ Gasket | ⑰ Reverse return spring | |
| ⑨ Oil guide | ⑱ Reverse check cam | |
| ⑩ Ball | ㉒ Reverse accent shaft | |
| ⑪ Reverse accent spring | ㉓ O-ring | |
| ⑫ Gasket | ㉔ Adjusting select shim | |
| ⑬ Plug | ㉕ Reverse check sleeve | |
| ⑭ Snap ring (Inner) | ㉖ Adjusting washer | |
| ⑮ Reverse check plate | ㉗ Ball bearing | |
| | ㉘ Transfer driven gear | |
| | ㉙ Ball bearing | |
| | ㉚ Oil seal | |
| | ㉛ Shift bracket | |
| | ㉜ Extension cover | |
| | ㉝ Gasket | |

Tightening torque: N·m (kg·m, ft·lb)
T1: 5±1 (0.5±0.1, 3.6±0.7)
T2: 10±1 (1.0±0.1, 7.2±0.7)
**T3: 15.7±1.5
(1.6±0.15, 11.6±1.1)**
T4: 25±2 (2.5±0.2, 18.1±1.4)
T5: 37±3 (3.8±0.3, 27.5±2.2)