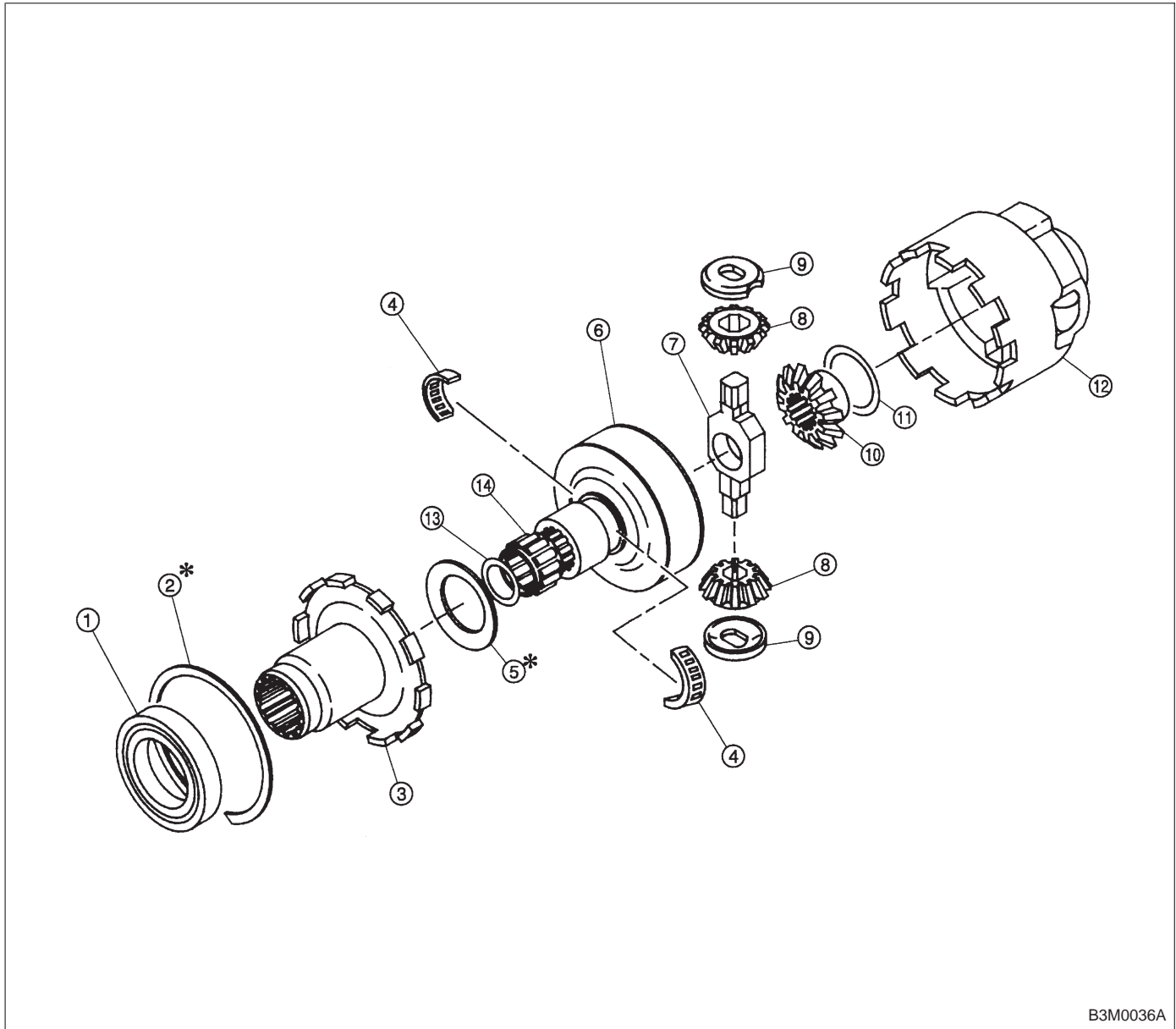


7. Center Differential (AWD Model)



B3M0036A

- |                             |                             |
|-----------------------------|-----------------------------|
| ① Ball bearing              | ⑧ Differential bevel pinion |
| ② Snap ring (Inner-110)     | ⑨ Retainer                  |
| ③ Center differential cover | ⑩ Differential bevel gear   |
| ④ Needle bearing            | ⑪ Washer                    |
| ⑤ Adjusting washer          | ⑫ Center differential case  |
| ⑥ Viscous coupling          | ⑬ Snap ring                 |
| ⑦ Pinion shaft              | ⑭ Roller bearing            |