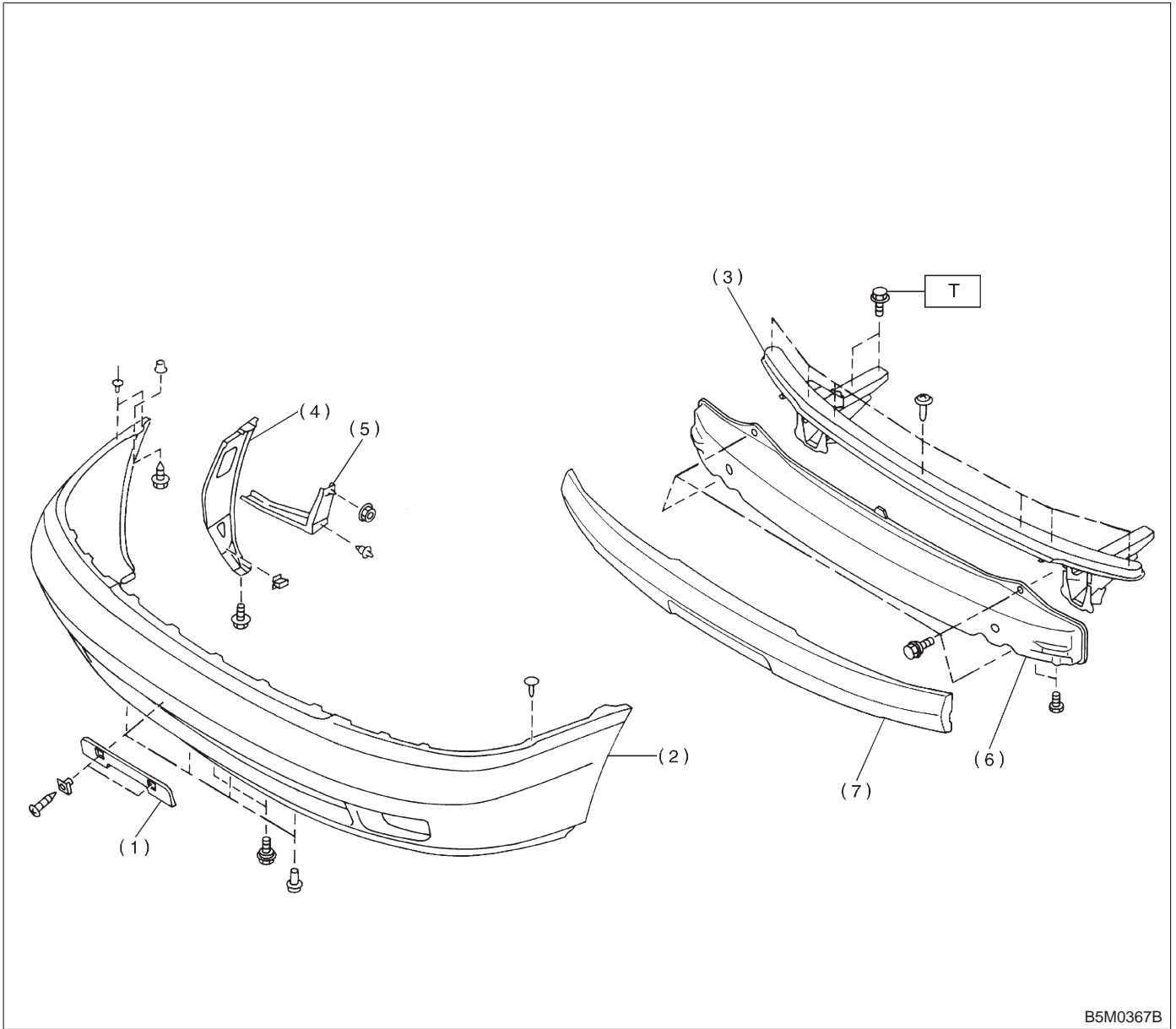


3. Front Bumper

A: EXCEPT OUTBACK MODEL

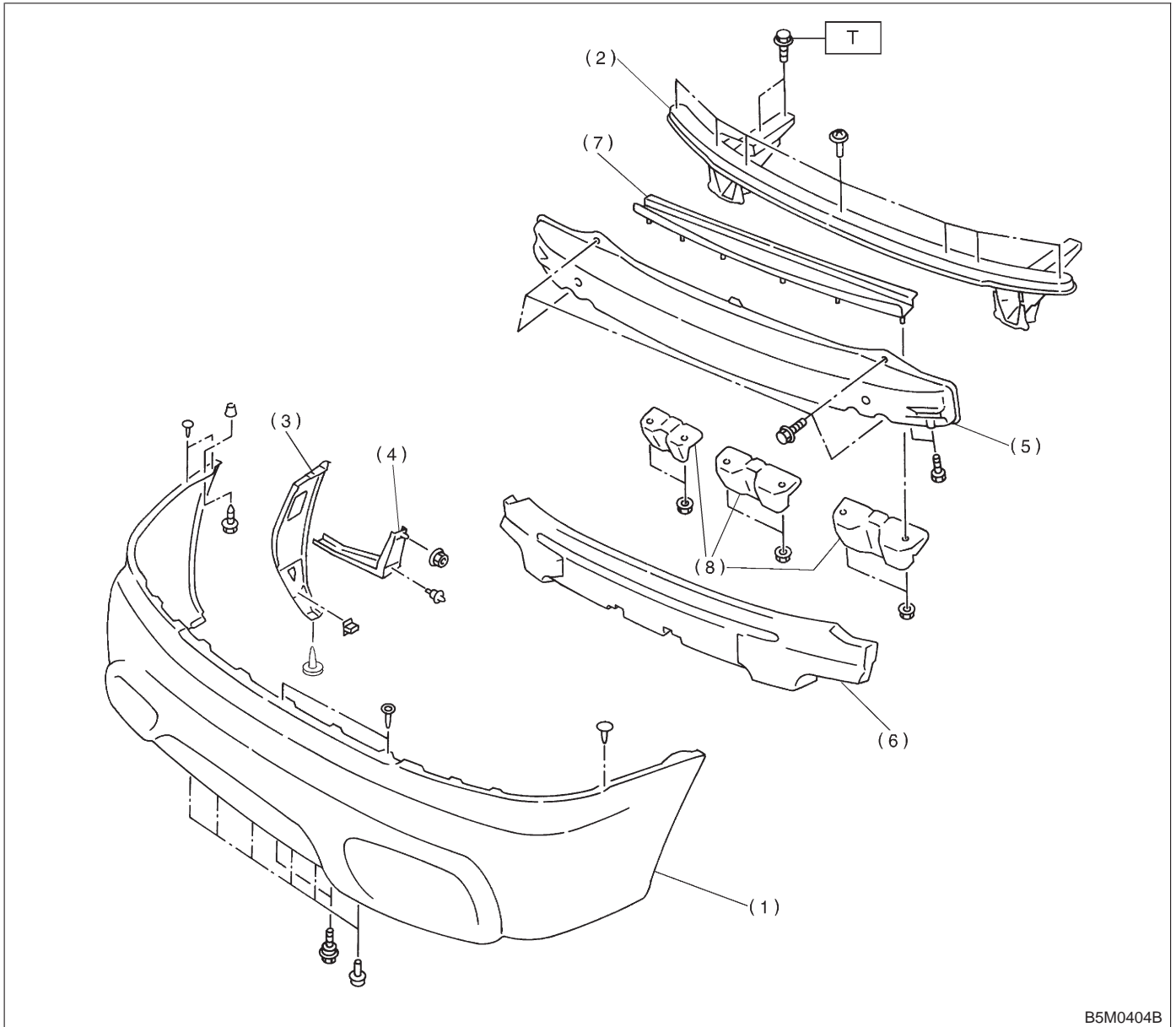


B5M0367B

- | | |
|---------------------------|-----------------------|
| (1) Licence plate bracket | (5) Stay |
| (2) Bumper face | (6) Back beam (Front) |
| (3) Front bumper beam | (7) E-A foam (Front) |
| (4) Bracket | |

Tightening torque: N·m (kg·m, ft·lb)
T: 93±25 (9.5±2.5, 69±18)

B: OUTBACK MODEL



- | | |
|-----------------------|-----------------------|
| (1) Bumper face | (5) Back beam (Front) |
| (2) Front bumper beam | (6) E-A foam (Front) |
| (3) Bracket | (7) Holder |
| (4) Stay | (8) Back beam bracket |

Tightening torque: N·m (kg·m, ft·lb)
T: 93±25 (9.5±2.5, 69±18)