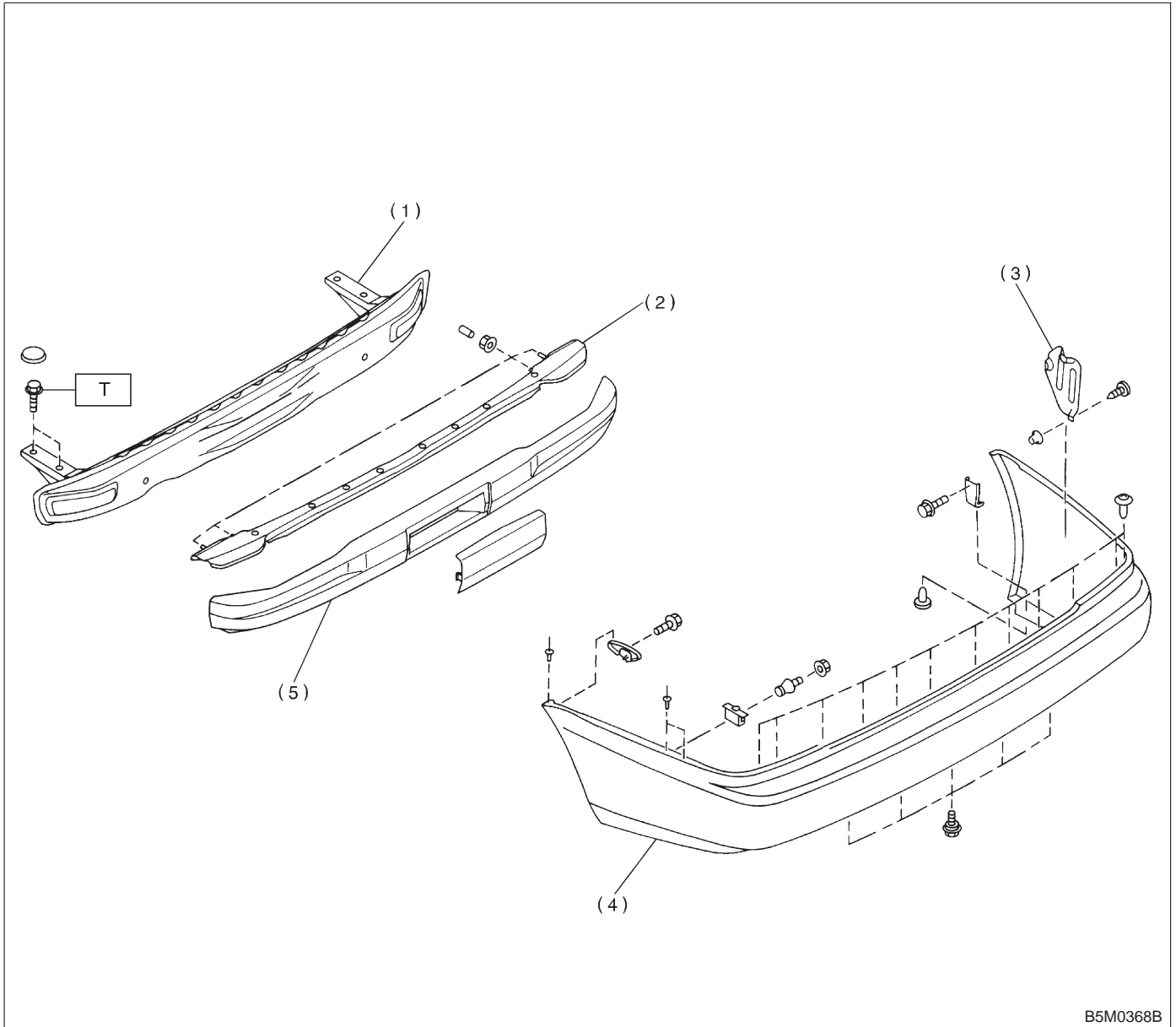


4. Rear Bumper

A: SEDAN

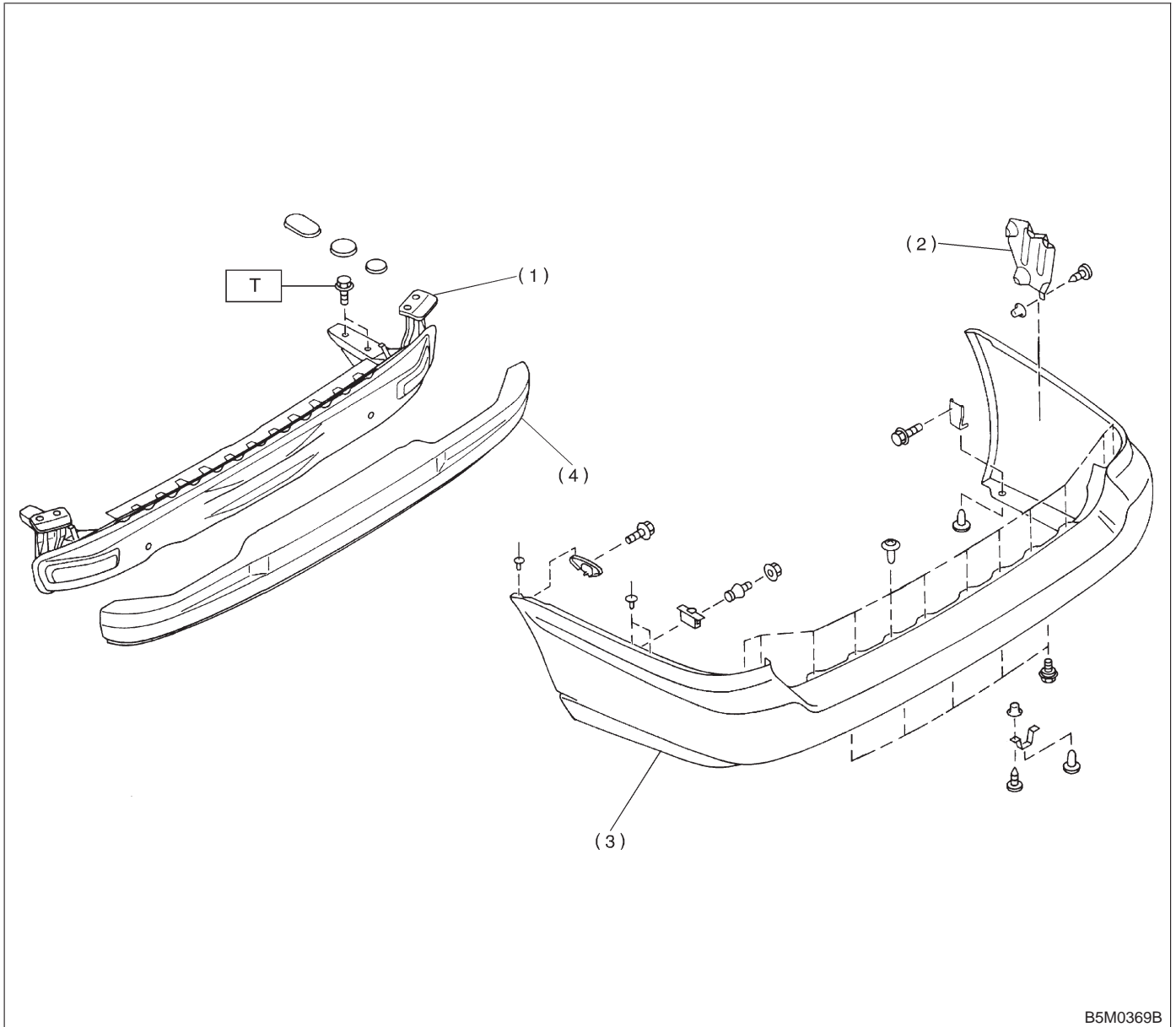


B5M0368B

- |                       |                     |
|-----------------------|---------------------|
| (1) Bumper beam (LWR) | (4) Bumper surface  |
| (2) Bumper beam (UPR) | (5) E-A foam (Rear) |
| (3) Bracket (Side)    |                     |

**Tightening torque: N·m (kg·m, ft·lb)**  
**T: 93±25 (9.5±2.5, 69±18)**

B: WAGON

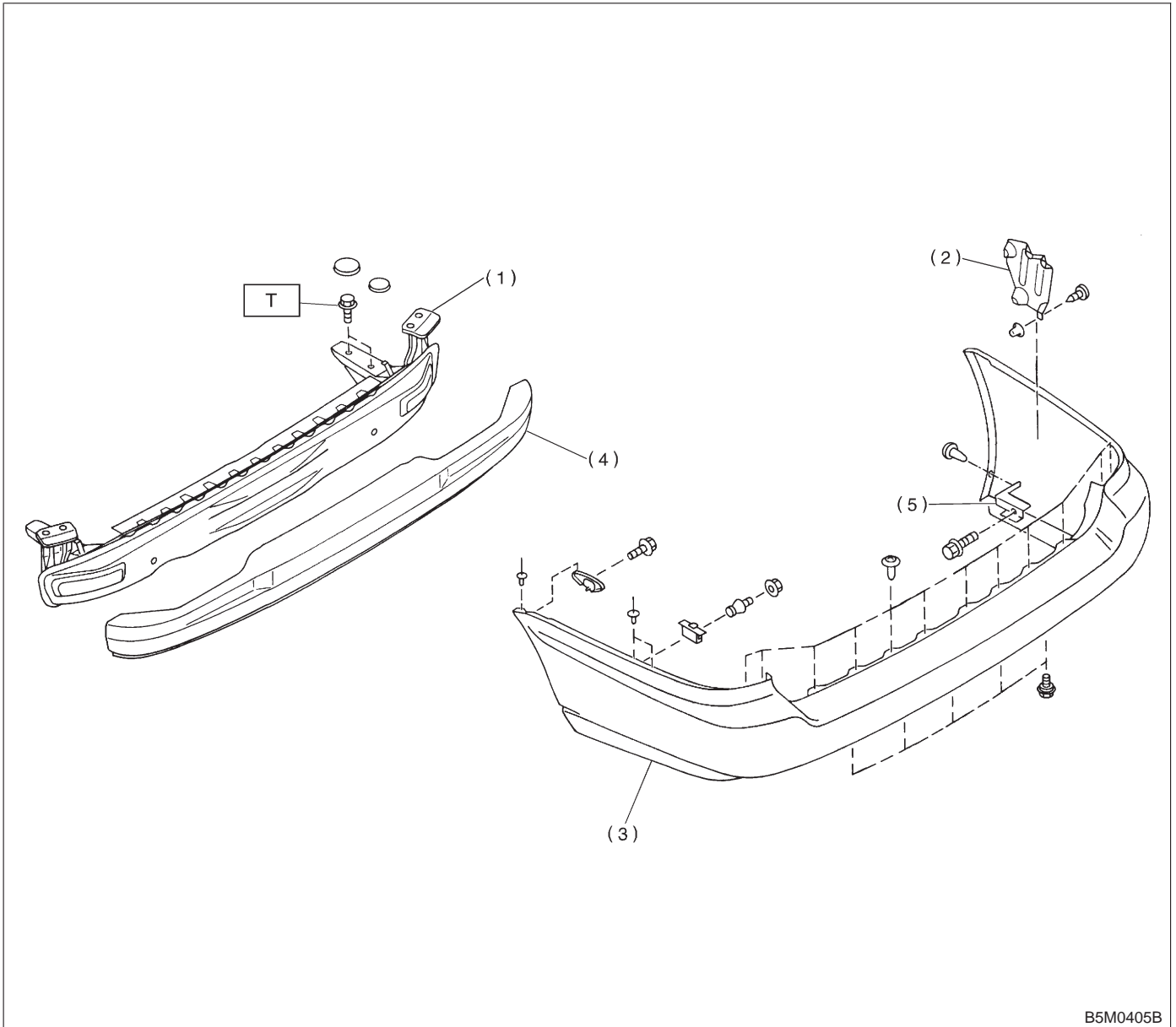


- (1) Bumper beam
- (2) Bracket (Side)
- (3) Bumper surface

- (4) E-A foam (Rear)

**Tightening torque: N·m (kg·m, ft·lb)**  
**T: 93±25 (9.5±2.5, 69±18)**

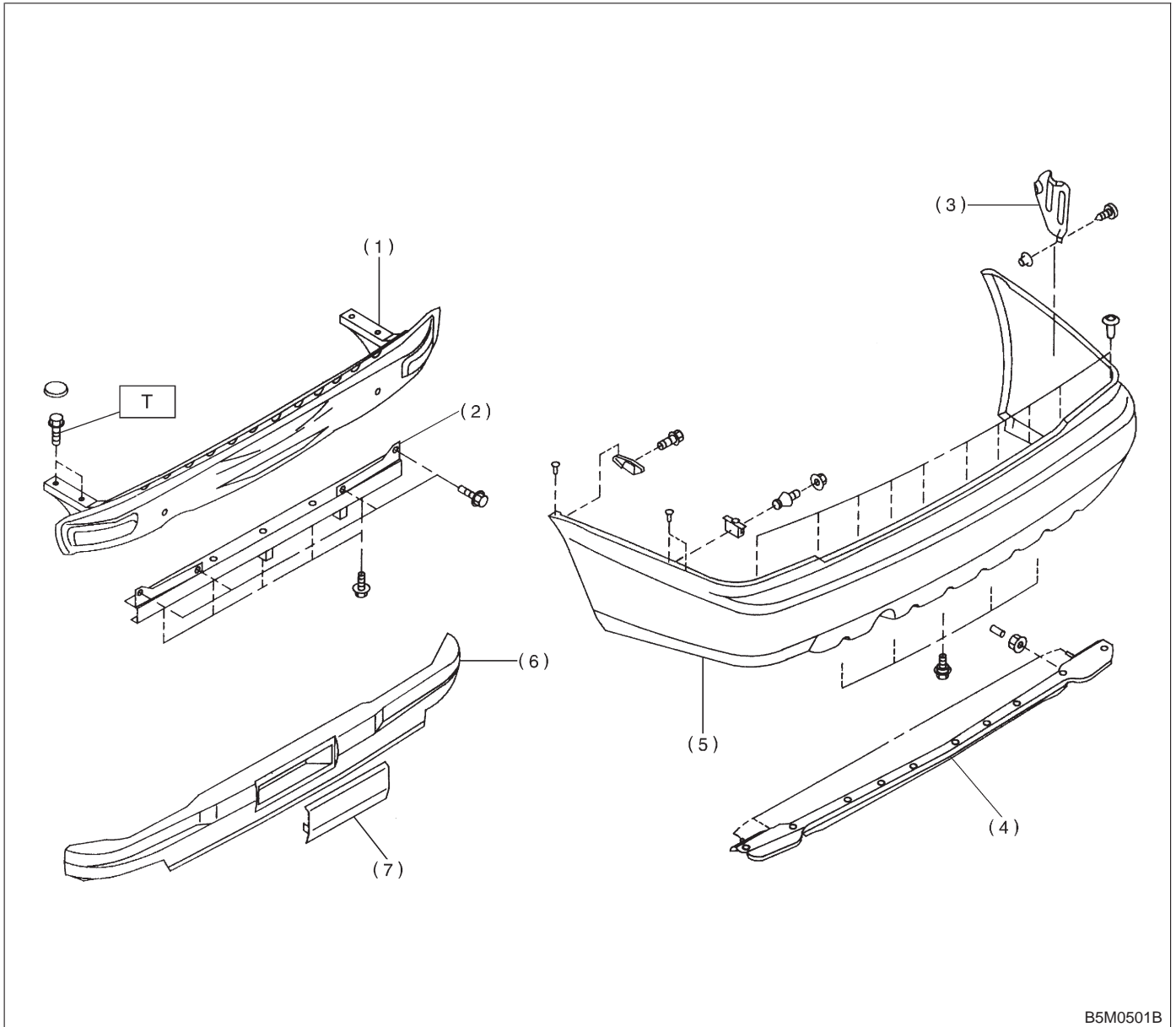
C: OUTBACK MODEL



- (1) Bumper beam
- (2) Bracket (Side)
- (3) Bumper surface
- (4) E-A foam (Rear)
- (5) Lower bracket (Side)

**Tightening torque: N·m (kg·m, ft·lb)**  
**T: 93±25 (9.5±2.5, 69±18)**

D: SUS MODEL



- |                              |                   |
|------------------------------|-------------------|
| (1) Beam complete rear       | (5) Bumper face   |
| (2) Beam lower complete rear | (6) E-A foam      |
| (3) Bracket side rear        | (7) E-A honeycomb |
| (4) Beam upper rear          |                   |

---

**Tightening torque: N·m (kg·m, ft·lb)**  
**T: 95±25 (9.5±2.5, 69±18)**

---