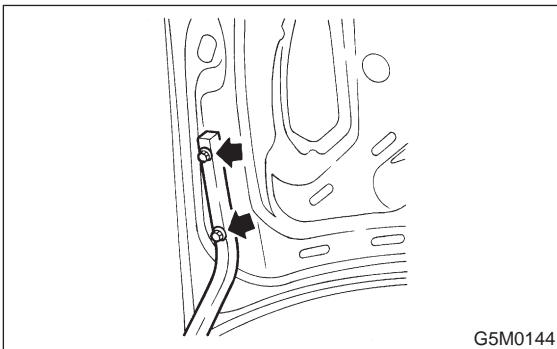


2. Trunk Lid

A: REMOVAL AND INSTALLATION

1. TRUNK LID

- 1) Open trunk lid.
- 2) Remove trunk lid mounting bolts and detach trunk lid from hinges.



- 3) Installation is in the reverse order of removal.

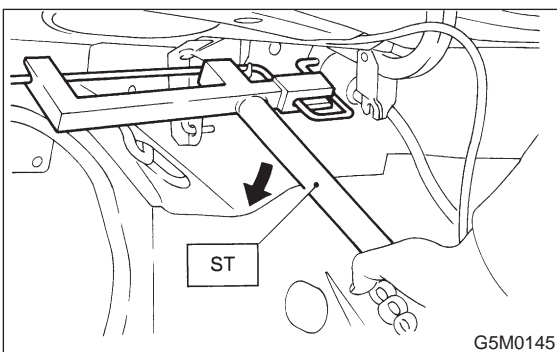
2. TORSION BAR

- 1) Open trunk lid. Remove torsion bars from hinge links using ST.

ST 927780000 REMOVER

CAUTION:

Be careful because torsion bar quickly swings back when released.



- 2) Remove the left and right torsion bars.

WARNING:

Be careful because trunk lid drops under its own weight when torsion bars are removed.

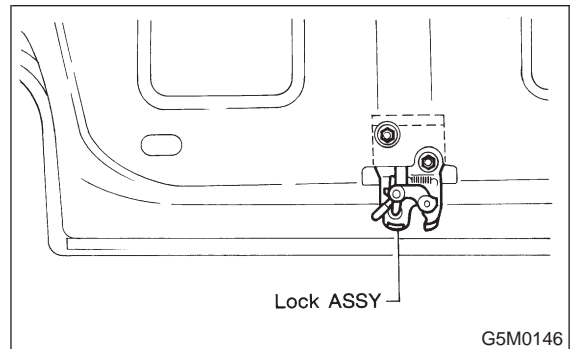
- 3) Installation is in the reverse order of removal.

NOTE:

Apply a coat of grease to the rotary section of hinges and contact surfaces of torsion bars.

3. TRUNK LID LOCK ASSEMBLY AND KEY CYLINDER

- 1) Remove rod of lock assembly from rod holder of key lock assembly.

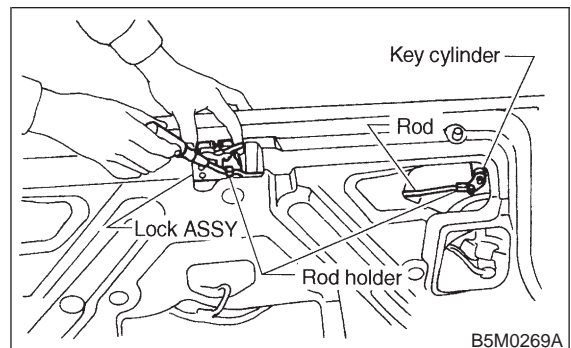


- 2) Remove nuts which hold lock assembly and remove lock assembly.

NOTE:

- Always remove rear skirt trim panel beforehand, if so equipped.
- Be careful not to bend opener cable.

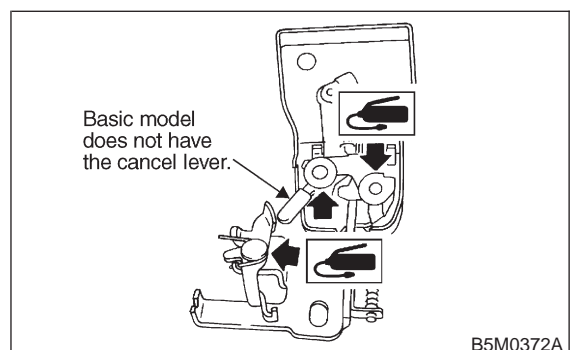
- 3) Remove rod holder and detach key cylinder from trunk lid.



- 4) Installation is in the reverse order of removal.

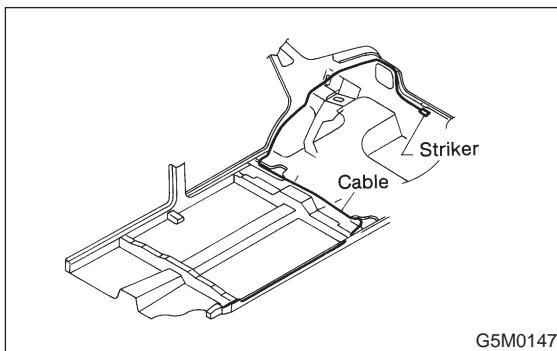
NOTE:

Apply grease to sliding surfaces of lock assembly and striker.



4. TRUNK LID OPENER

- 1) Remove rear seats, center pillar lower cover, floor mat, rear arch cover and side sill cover (on the driver's side).
- 2) Remove all clips which hold cable.
- 3) Disconnect cable from pull handle assembly.
- 4) Remove bolts and detach pull handle assembly.
- 5) Loosen bolts which hold lock assembly, and remove it.
- 6) Remove striker from trunk lid.



- 7) Disconnect cable from striker.

NOTE:

- Be careful not to bend or break cable.
- Basic model vehicles do not have trunk lid opener system.

- 8) Installation is in the reverse order of removal.

CAUTION:

- When installing cover to pull handle assembly, observe the following:
 - Be careful not to catch harness.
 - Engage pull handle assembly pawls firmly.

NOTE:

After installing opener cable, ensure it moves smoothly.

B: ADJUSTMENT

1. TRUNK LID

- 1) To adjust left-right lid positioning, loosen bolts which hold trunk lid to hinges.

- 2) To adjust up-down lid alignment, place washer(s) between trunk lid and hinges or move trunk lock assembly up or down.

