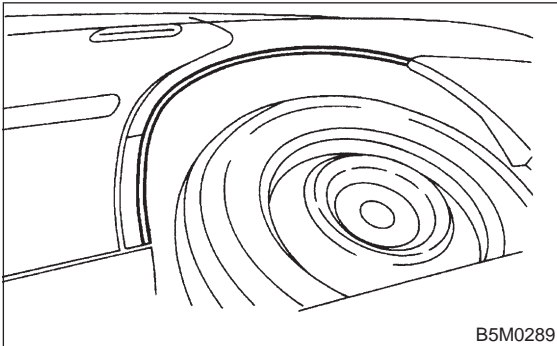


### 3. REAR ARCH PROTECTOR

- 1) Remove rear arch protector.



- 2) Installation is in the reverse order of removal.

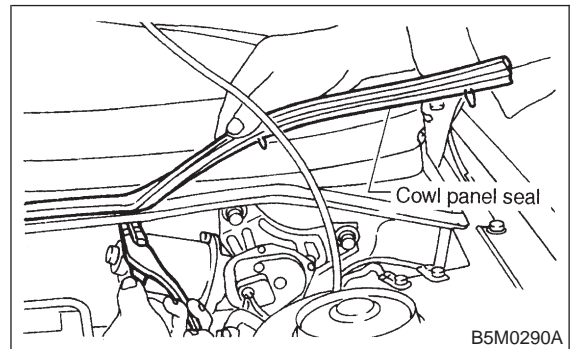
**CAUTION:**

**Only use new screws and clips.**

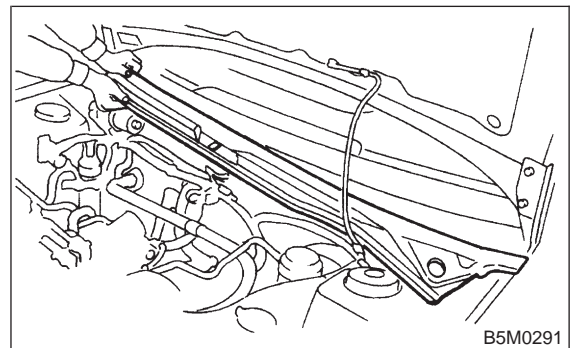
## 10. Cowl Panel

### A: REMOVAL AND INSTALLATION

- 1) Remove wiper arms.
- 2) Open front hood.
- 3) Remove cowl panel seal using a plier.



- 4) Lift cowl panel and detach it from clips attached to body panel.



- 5) Installation is in the reverse order of removal.

**NOTE:**

When installing cowl panel, first attach a middle clip to the cap attached to body panel. Then tap the cowl panel to attach it to other clips.