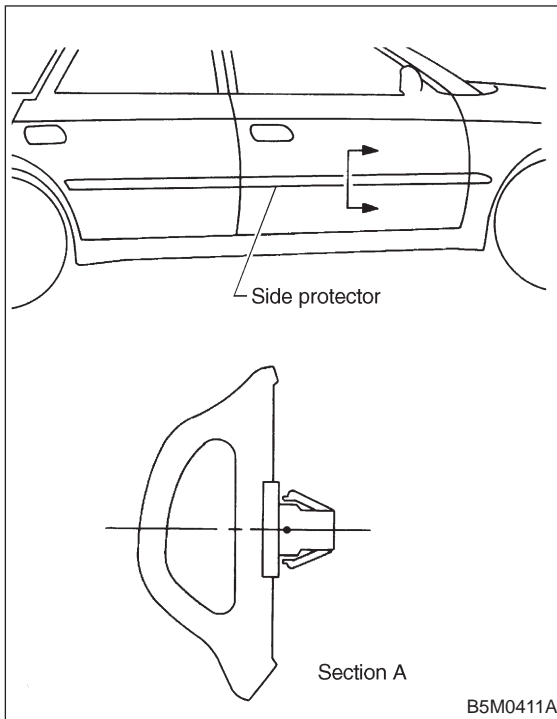


14. Side Protector

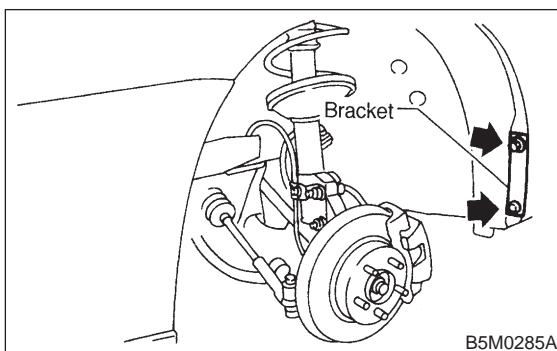
A: REMOVAL AND INSTALLATION

Side protector consists of three parts; front fender, front door and rear door.



1. SIDE PROTECTOR FRONT FENDER PORTION

1) Remove bracket which secures mud guard to front fender.



2) Remove mud guard. <Ref. to 5-1 [W9A1].> and <Ref. to 5-1 [W9A2].>

NOTE:

Detach the rear part of mud guard as required for the procedure. It is not necessary to remove the entire mud guard.

3) Use pliers to remove a clip from inside front fender. Remove it from vehicle body but keep it with side protector.

4) Installation is in the reverse order of removal.

CAUTION:

Insert clips firmly and carefully by hand. To avoid damaging clips, do not forcefully push or hit clips.

2. SIDE PROTECTOR FRONT DOOR AND REAR DOOR PORTIONS

1) Remove trim panel. <Ref. to 5-2 [W2A2].>

2) Use pliers to remove clips from inside of doors. Remove them from vehicle body but keep them with side protector.

NOTE:

Front door portion has five clips, rear door portion has four clips.

3) Installation is in the reverse order of removal.

CAUTION:

Insert clips firmly and carefully by hand. To avoid damaging clips, do not forcefully push or hit clips.

NOTE:

To install side protector front door and rear door portions, insert the first clip into the base hole [9 mm (0.35 in) dia.], and then insert other clips.