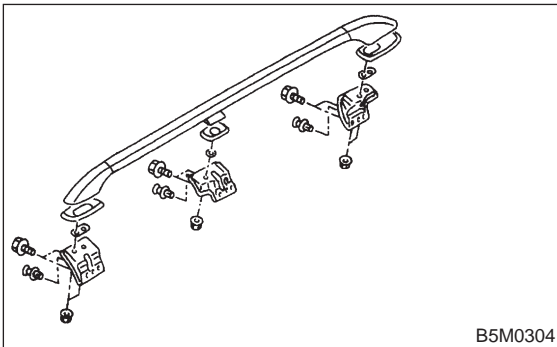


15. Roof Rail

A: REMOVAL AND INSTALLATION

- 1) Remove roof trim, rear quarter trim, pillar trim, etc. <Ref. to 5-3 [W5A0].>
- 2) Remove flange bolts.
- 3) Remove flange nuts.
- 4) Remove roof rail.



B5M0304

- 5) Installation is in the reverse order of removal.

CAUTION:

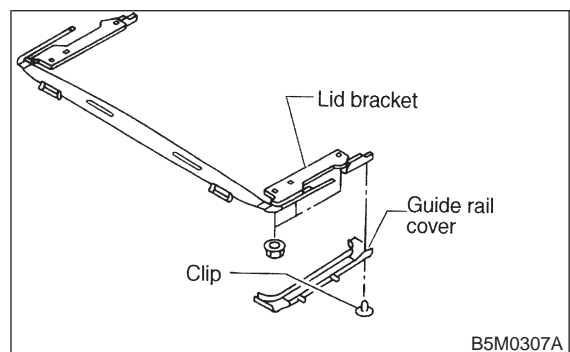
To prevent deformation, be sure to install roof rail in steps 4), 3), 2) and 1), in that order.

16. Sunroof

A: REMOVAL AND INSTALLATION

1. SEDAN AND WAGON REAR (EXCEPT OUTBACK)

- 1) Glass lid assembly:
 - (1) Completely open sun shade. (Push it back far.)
 - (2) Remove a clip and detach guide rail cover.
 - (3) Remove six nuts from the left and right lid bracket.
 - (4) Working inside, slightly raise glass lid assembly until it is disengaged from lid bracket.

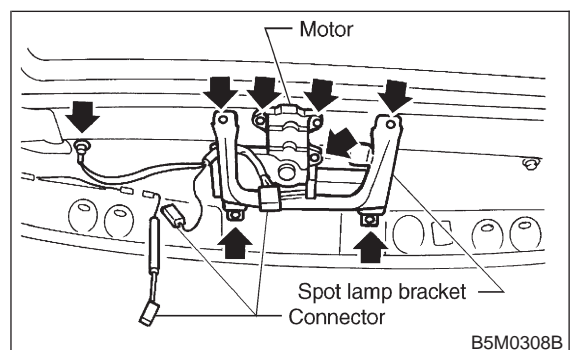


B5M0307A

- (5) Hold both ends of glass lid assembly and remove it at an angle.
- (6) Installation is in the reverse order of removal.

2) Sunroof motor and relay:

- (1) Remove center pillar trim upper. <Ref. to 5-3 [W5A3].>
- (2) Remove front pillar trim upper. <Ref. to 5-3 [W5A4].>
- (3) Remove assist grip on left side.
- (4) Remove sunvisor with hook.
- (5) Remove sunroof switch.
- (6) Remove rearview mirror.
- (7) While rolling up roof trim, disconnect harness clips and connector.
- (8) While rolling up roof trim, remove spot lamp bracket and sunroof motor.
- (9) Installation is in the reverse order of removal.



B5M0308B