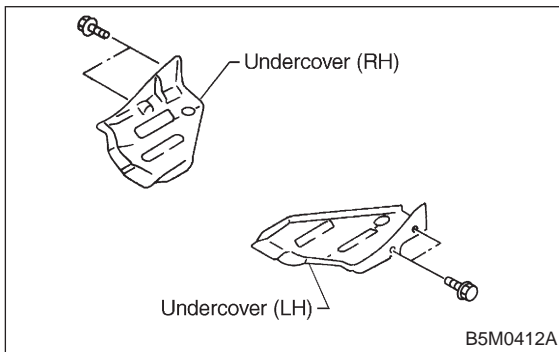


## 17. Undercover

### A: REMOVAL AND INSTALLATION

- 1) Remove undercover mounting bolts.



- 2) Installation is in the reverse order of removal.

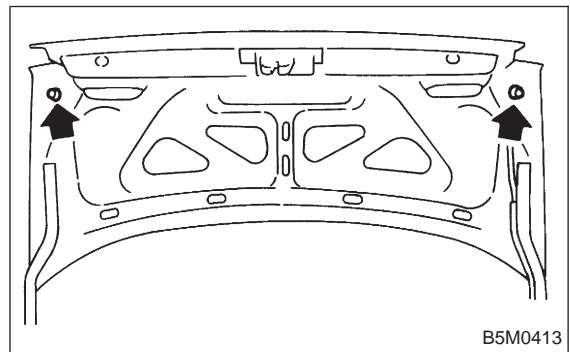
**NOTE:**

Undercover is bolted along with mud guard.

## 18. Rear Spoiler

### A: REMOVAL AND INSTALLATION

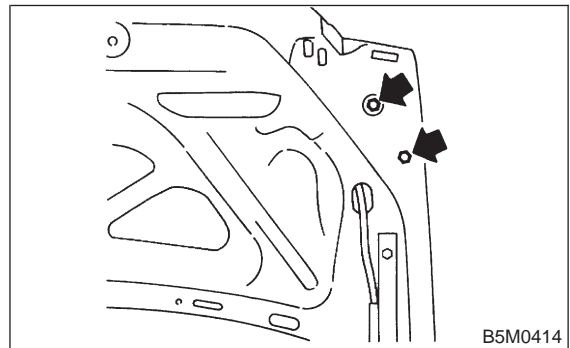
- 1) Open trunk lid.
- 2) Disconnect high-mount stop light connector located inside the trunk lid.
- 3) Remove rubber caps.



- 4) Remove rear spoiler mounting nuts.

**CAUTION:**

When removing nuts, be careful not to drop them inside rear gate.



- 5) Installation is in the reverse order of removal.

**Tightening torque:**

**$7.4 \pm 2.0$  N·m ( $0.75 \pm 0.2$  kg·m,  $5.4 \pm 1.4$  ft·lb)**