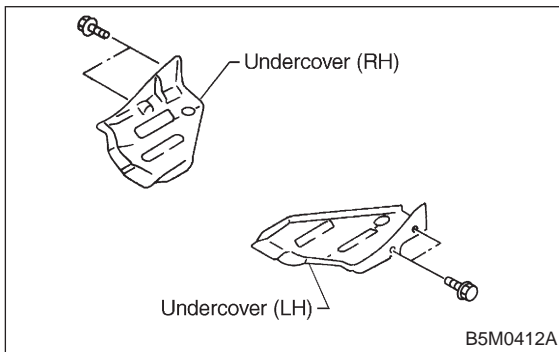


17. Undercover

A: REMOVAL AND INSTALLATION

- 1) Remove undercover mounting bolts.



- 2) Installation is in the reverse order of removal.

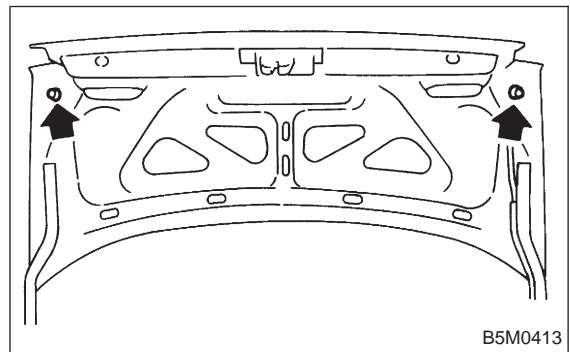
NOTE:

Undercover is bolted along with mud guard.

18. Rear Spoiler

A: REMOVAL AND INSTALLATION

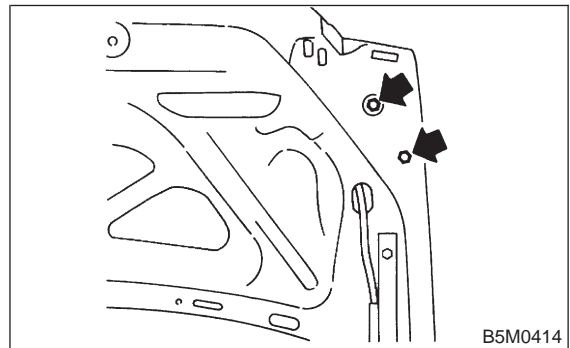
- 1) Open trunk lid.
- 2) Disconnect high-mount stop light connector located inside the trunk lid.
- 3) Remove rubber caps.



- 4) Remove rear spoiler mounting nuts.

CAUTION:

When removing nuts, be careful not to drop them inside rear gate.



- 5) Installation is in the reverse order of removal.

Tightening torque:

7.4 ± 2.0 N·m (0.75 ± 0.2 kg·m, 5.4 ± 1.4 ft·lb)