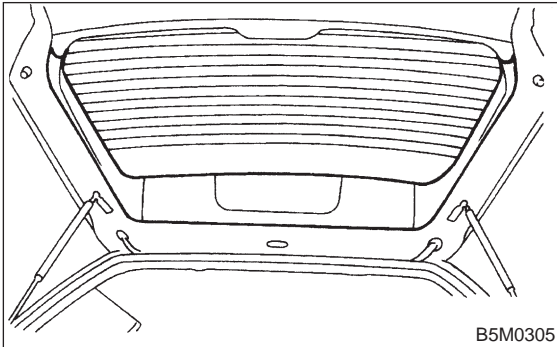


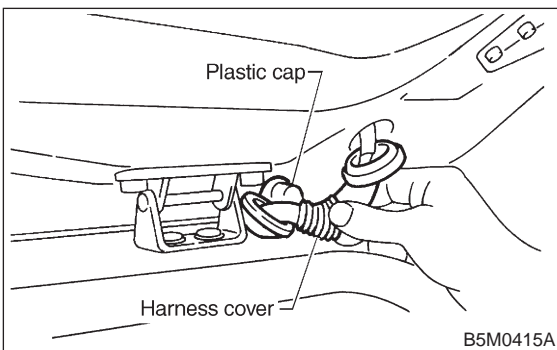
19. Roof Spoiler

A: REMOVAL AND INSTALLATION

1) Open rear gate and remove rear gate trim upper and side.



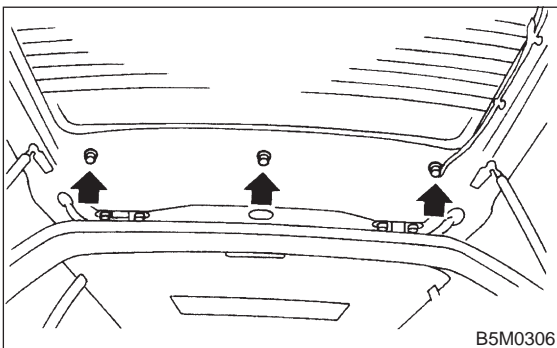
2) Remove high-mount stop light. <Ref. to 6-2 [W6A4].>
3) Remove plastic caps and harness covers.



4) Remove roof spoiler mounting nuts.

CAUTION:

- When removing nuts, be careful not to drop them inside rear gate.
- Be careful since two-sided tape is placed between roof spoiler and body panel.



5) Installation is in the reverse order of removal.

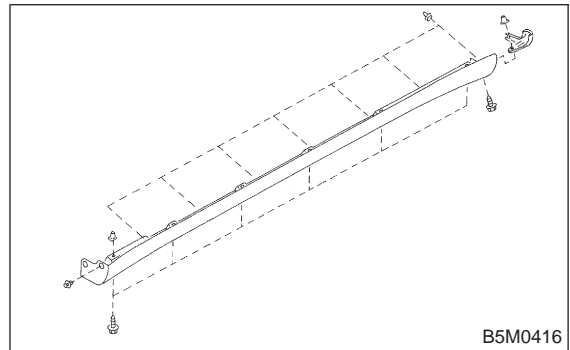
Tightening torque:

7.4±2.0 N-m (0.75±0.2 kg-m, 5.4±1.4 ft-lb)

20. Side Spoiler

A: REMOVAL AND INSTALLATION

1) Remove tapping screws, clip and end cover.



2) Installation is in the reverse order of removal.