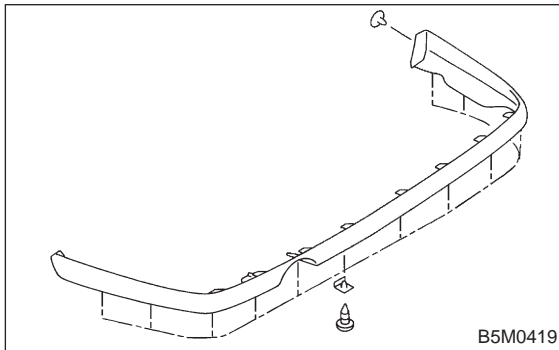


23. Rear Under Spoiler

A: REMOVAL AND INSTALLATION

1) Remove tapping screws and clips.



2) Installation is in the reverse order of removal.

NOTE:

- 12 tapping screws are used for Sedan.
- 14 tapping screws are used for Wagon.