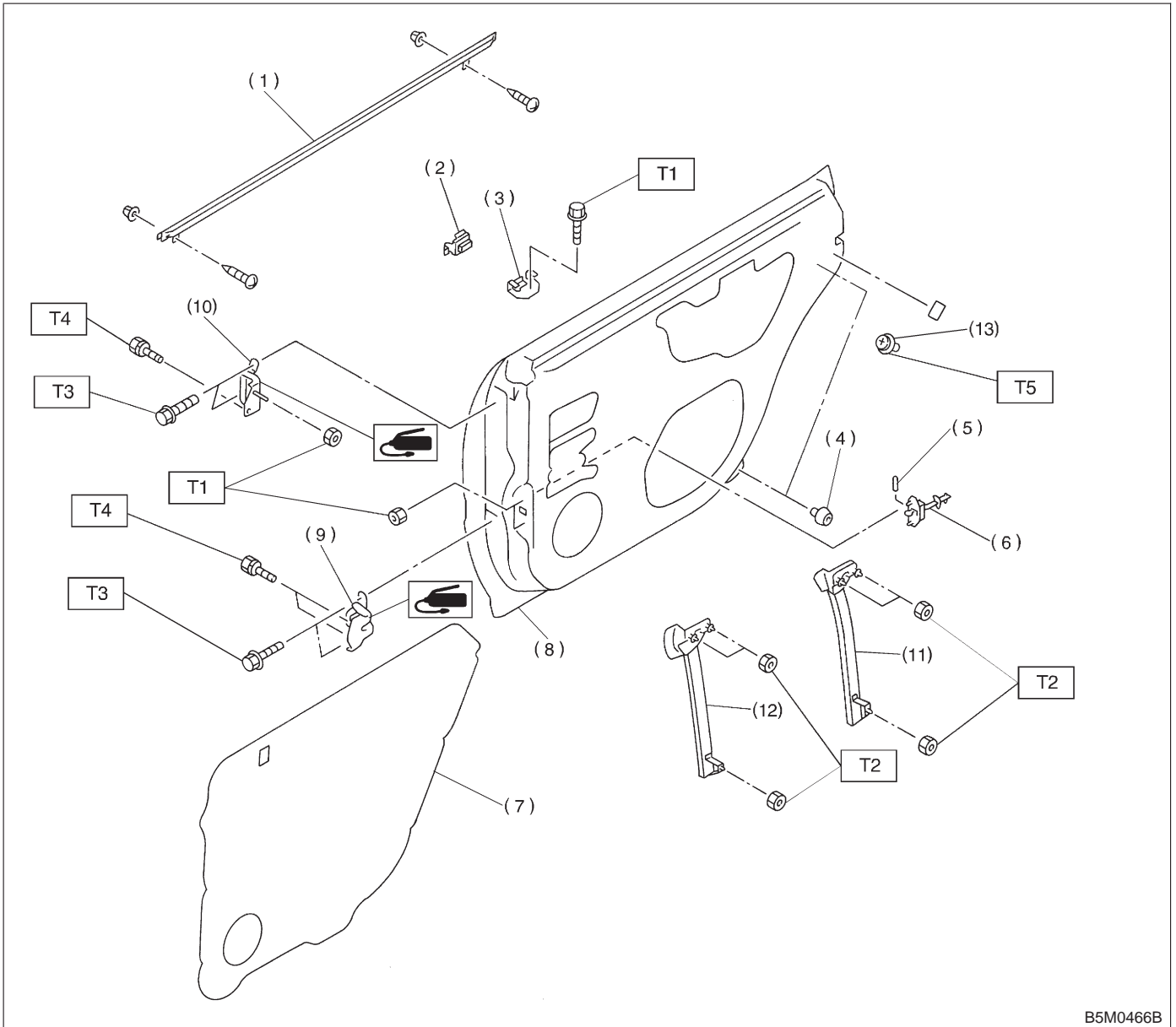


2. Rear Door



B5M0466B

- |                          |                        |
|--------------------------|------------------------|
| (1) Weatherstrip (Outer) | (8) Door panel         |
| (2) Stabilizer (Outer)   | (9) Lower hinge        |
| (3) Stabilizer (Inner)   | (10) Upper hinge       |
| (4) Stopper              | (11) Door sash (Rear)  |
| (5) Knock pin            | (12) Door sash (Front) |
| (6) Checker              | (13) Rear door catcher |
| (7) Seating cover        |                        |

**Tightening torque: N-m (kg-m, ft-lb)**

**T1: 7.4±2.0 (0.75±0.2, 5.4±1.4)**

**T2: 14±4 (1.4±0.4, 10.1±2.9)**

**T3: 25±3 (2.5±0.3, 18.1±2.2)**

**T4: 29±5 (3.0±0.5, 21.7±3.6)**

**T5: 37±10 (3.8±1.0, 27.5±7.2)**