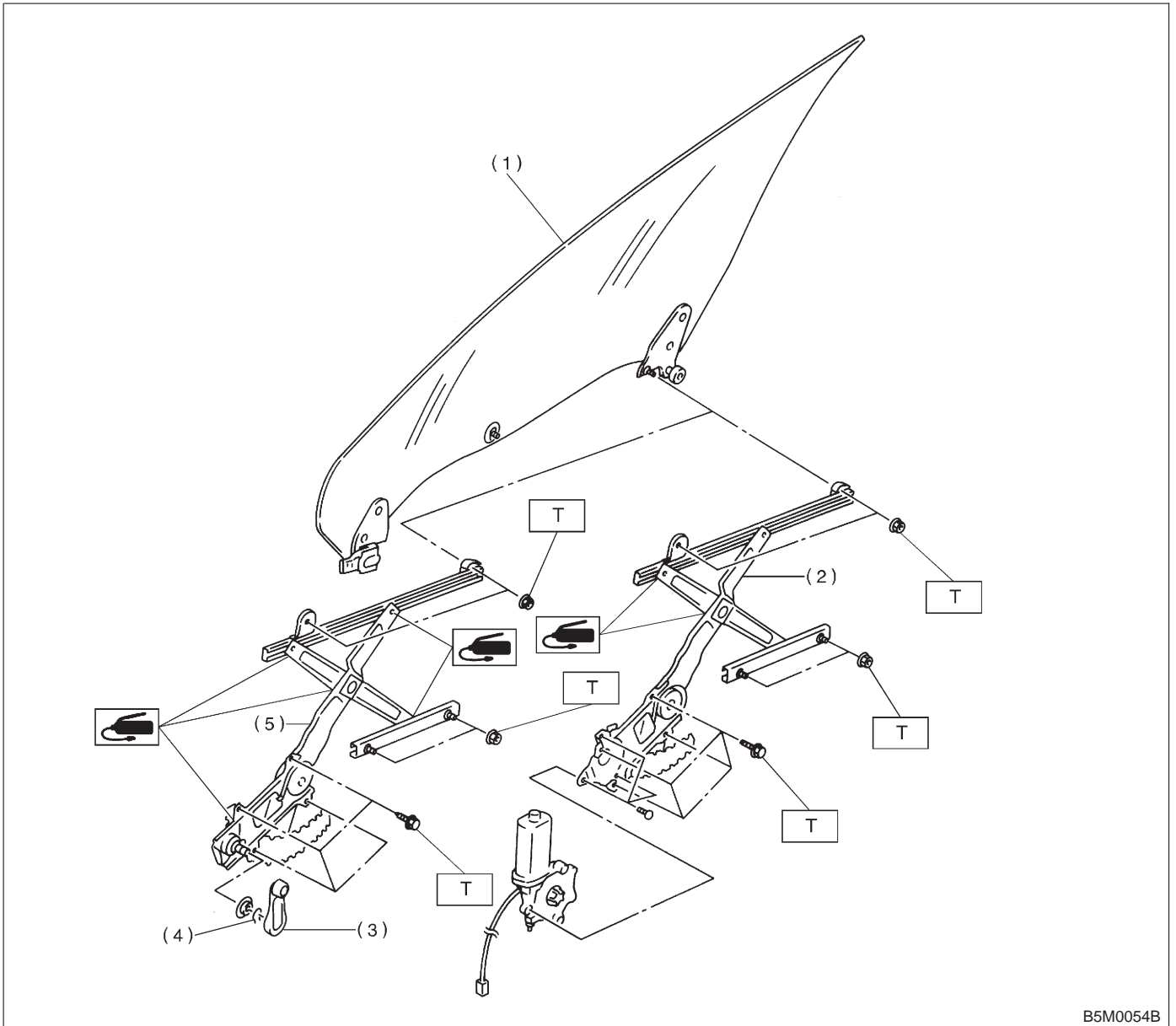


4. Front Door Glass



- (1) Glass
- (2) Regulator and motor ASSY
- (3) Regulator handle (Except power window)
- (4) Retainer spring
- (5) Regulator ASSY

**Tightening torque: N-m (kg-m, ft-lb)**  
**T: 7.4±2.0 (0.75±0.2, 5.4±1.4)**