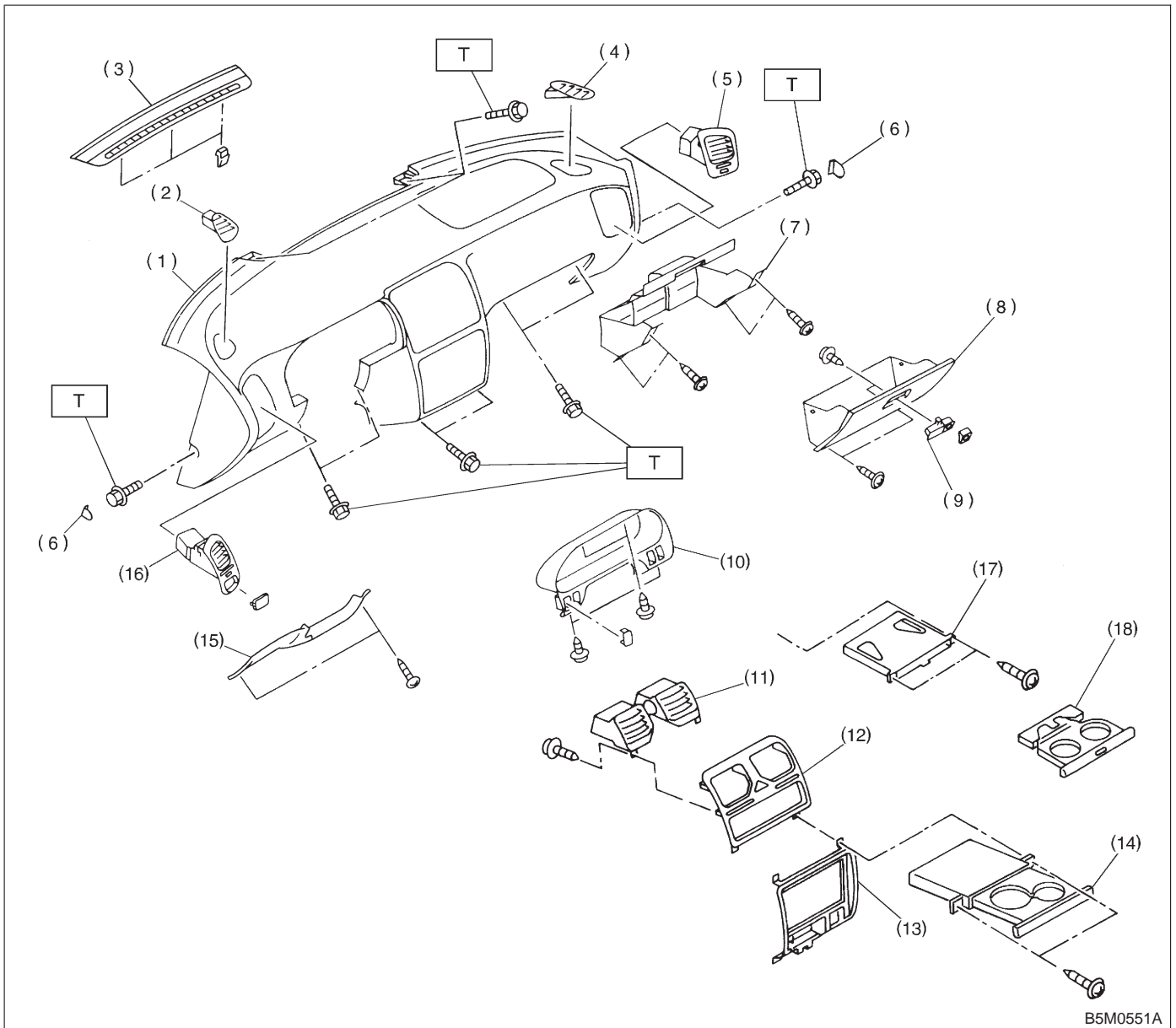


1. Instrument Panel



B5M0551A

- (1) Pad and frame
- (2) Grille SD def. (D)
- (3) Front def. grille
- (4) Grille SD def. (P)
- (5) Grille vent (P)
- (6) Cover
- (7) Cover back panel
- (8) Pocket ASSY

- (9) Lock ASSY
- (10) Meter visor
- (11) Grille CTR vent.
- (12) Panel CTR upper
- (13) Panel CTR lower
- (14) Cup holder ASSY
- (15) Panel lower cover
- (16) Grille SD vent. (D)

- (17) Cup holder BRKT
- (18) Cup holder

Tightening torque: N-m (kg-m, ft-lb)
T: 7±1 (0.7±0.1, 5.1±0.7)