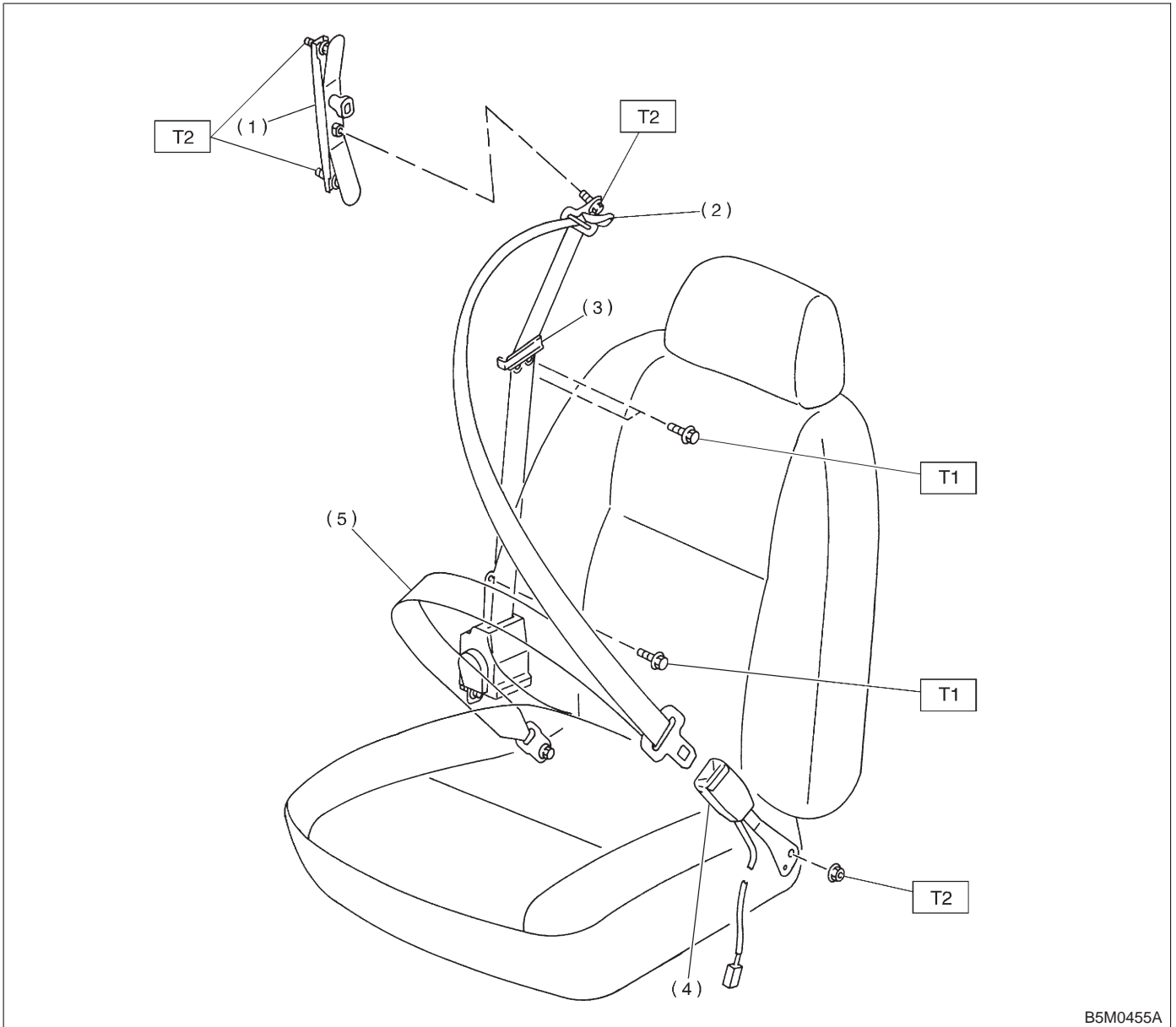


3. Front Seat Belt



B5M0455A

- (1) Adjuster anchor ASSY
- (2) Through anchor cover
- (3) Webbing guide
- (4) Inner belt ASSY

- (5) Outer belt ASSY

Tightening torque: N-m (kg-m, ft-lb)

T1: 13±3 (1.3±0.3, 9.4±2.2)

T2: 35±13 (3.6±1.3, 26±9)