

10) After installation, ensure that all mechanisms operate properly and lock.

11) If any mechanism does not function properly, loosen bolts (C), (D) and (E), slide seat as required, insert all lock plate pawls into holes in slide rail brackets, and tighten bolts (C), (D) and (E) in that order.

12) Install bolt cover on rear end of slide rail.

13) Install headrest on backrest.

**NOTE:**

Tighten bolts in the designated order.

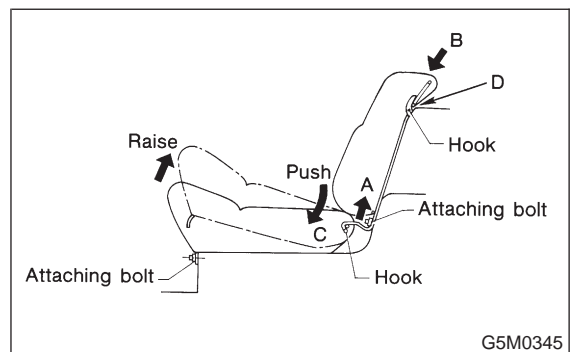
## 2. Rear Seat

### A: REMOVAL

#### 1. SEDAN

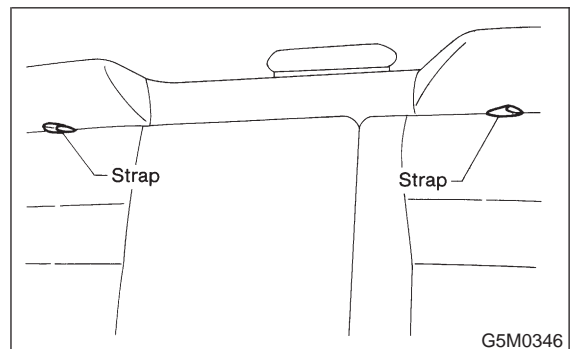
1) Remove bolts securing hinges (located at front of cushion) to body.

2) Slightly raise front of cushion while pushing down on cushion in the direction of "C". With cushion held in that position, move it forward until it is unhooked.



3) Remove bolts securing lower portion of backrest to body.

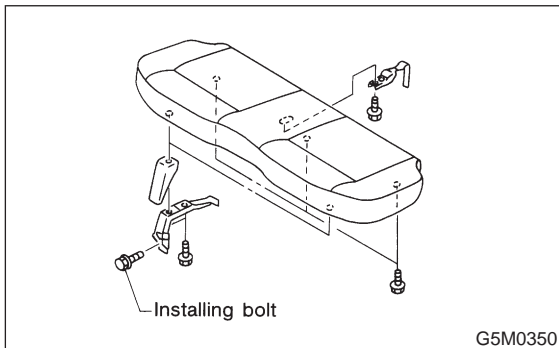
4) Pull strap (located in center of fold-down backrest) to release lock, and fold backrest onto cushion. (Fold-down type)



5) Lift rear seat backrest in direction "A" until it is released

2. WAGON

1) Remove bolts securing hinges (located at front of seat) to body.

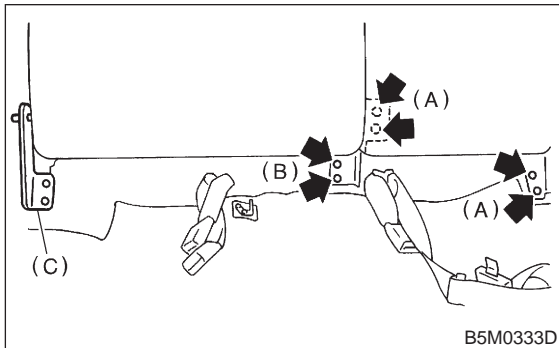


2) Pull strap (located in middle rear portion of cushion) to release lock. Lift cushion out and away from body.

3) Pull knobs (located at each side of backrest's upper portion) up to release lock, and fold backrest all the way forward.

4) Remove the bolt (A) and then remove backrest. (LH side)

5) Remove the bolt (B) and then remove backrest (RH side) from hinge bracket (C).

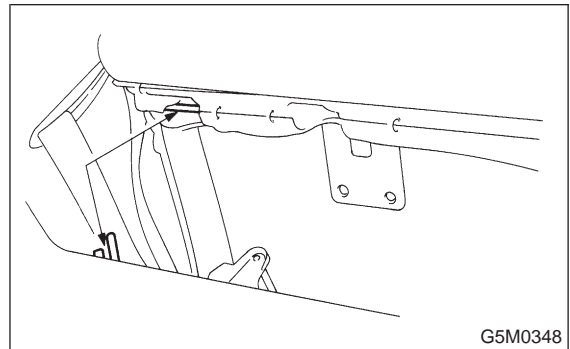


B: INSTALLATION

1. SEDAN

1) Before installing backrest, ensure that trim panel, insulator and seat belt are properly installed.

2) Transfer outer seat belt webbing to front of backrest and fold backrest forward. Attach seat wire to upper hooks (2 places), and move pillow in the direction of "B" until backrest is aligned with lower mounting holes in body.



3) Engage backrest's folding mechanism with striker.

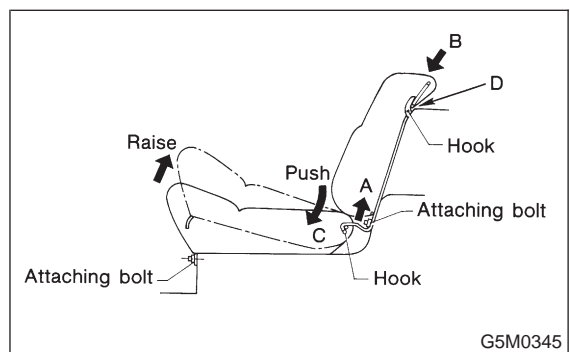
4) Secure lower center and both sides of backrest to body with bolts.

5) Slightly raise front section of cushion while pushing down on cushion in the direction of "C". With cushion held in that position, attach rear section of cushion to hooks at lower frame location.

CAUTION:

- Before installing seat, ensure that seat belt is placed on cushion.
- Confirm that winding of three-point type seat belt can operate regularly.

6) Secure front of cushion to body with bolts.



2. WAGON

Installation is in the reverse order of removal.

CAUTION:

- Do not allow center seat belt to get under cushion when folding cushion.
- Ensure that side seat belt tongue is free from cushion and trim panel.
- Lift front of cushion to ensure that cushion is properly locked.