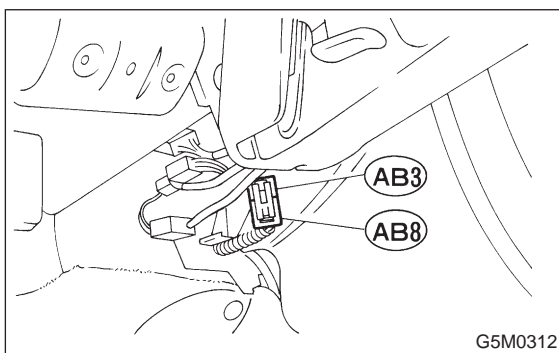


6. Combination Switch

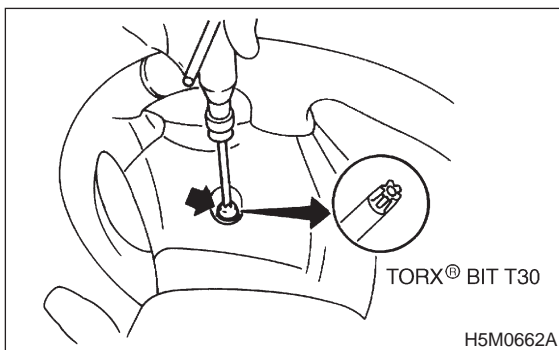
A: REMOVAL

- 1) Turn ignition switch off.
- 2) Disconnect ground cable from battery and wait for at least 20 seconds before starting work.
- 3) Remove lower cover. <Ref. to 5-4 [W1A0].> Disconnect airbag connector (AB3) and (AB8) below steering column.

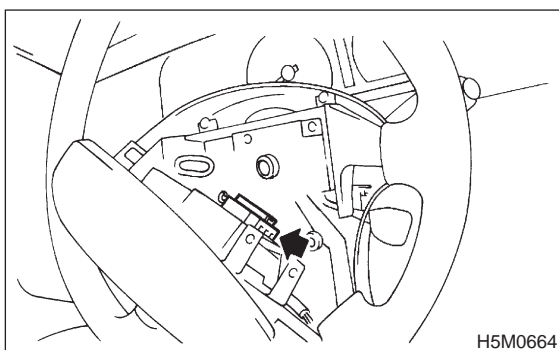
CAUTION:
Do not reconnect airbag connector at steering column until combination switch is securely re-installed.



- 4) Disconnect combination switch connectors from body harness connector.
- 5) Set front wheels in straight ahead position. Using TORX® BIT T30, remove two TORX® bolts.

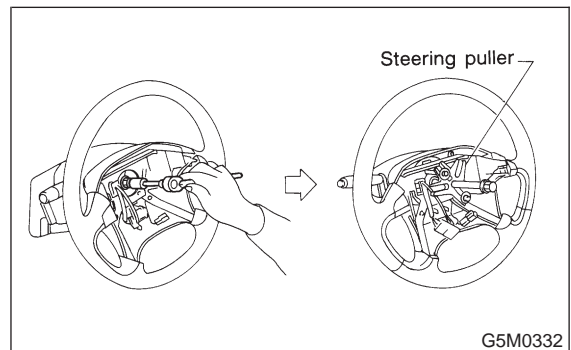


- 6) Disconnect airbag connector on back of airbag module. <Ref. to 5-5 [M2F2].> Remove airbag module, and place it with pad side facing upward. <Ref. to 5-5 [W3A0].>

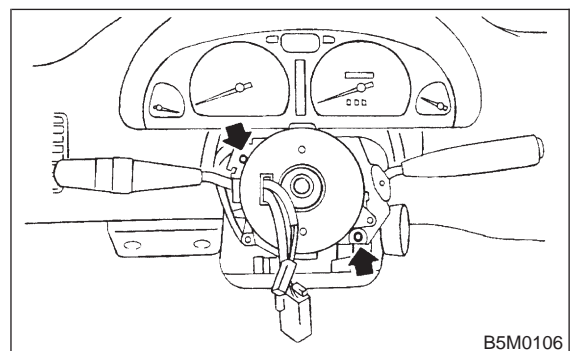


- 7) Using steering puller, remove steering wheel.

CAUTION:
Do not allow connector to interfere when removing steering wheel.



- 8) Remove steering column covers.
- 9) Removing two retaining screws, remove combination switch.

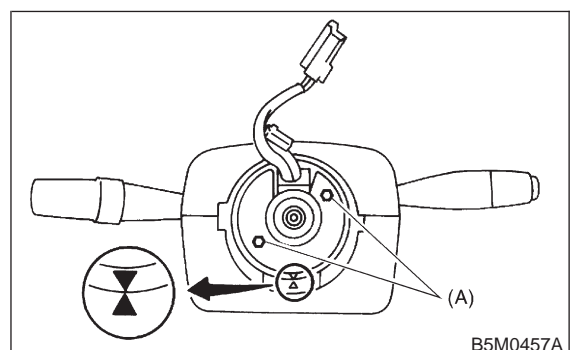


B: ADJUSTMENT

1. CENTERING ROLL CONNECTOR

Before installing steering wheel, make sure to center roll connector built into combination switch.

- 1) Make sure that front wheels are positioned straight ahead.
- 2) Install steering gearbox, steering shaft and combination switch properly. Turn roll connector pin (A) clockwise until it stops.
- 3) Then, back off roll connector pin (A) approximately 2.65 turns until "▲" marks aligned.



C: INSTALLATION

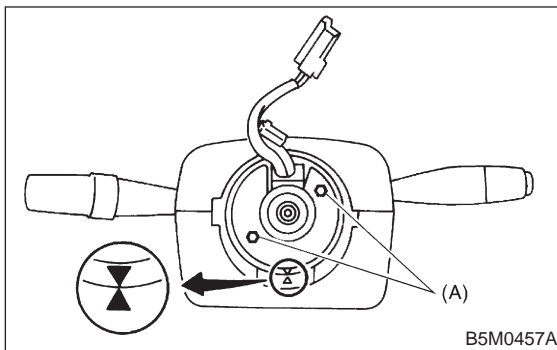
CAUTION:

Failure to do this might damage roll connector.

- 1) Before installing combination switch, check to ensure that combination switch is off and front wheels are set in the straight ahead position.
- 2) Install column cover and center roll connector.
- 3) Install steering wheel in neutral position. Carefully insert roll connector pin (A) into hole on steering wheel.

NOTE:

If steering wheel angle requires fine adjustment, adjust tie-rod. <Ref. to 4-3 [W3F0].> and <Ref. to 4-3 [W4F0].>



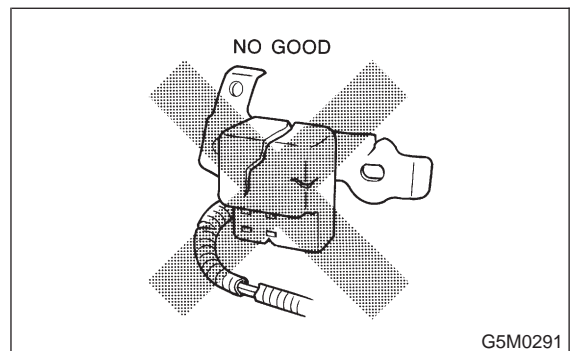
- 4) Install airbag module and lower cover in the reverse order of removal.

7. Front Sub Sensor

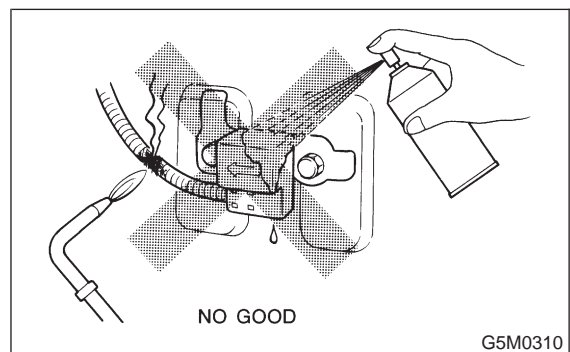
A: REMOVAL AND INSTALLATION

CAUTION:

- If the front end of the vehicle body is damaged by a collision, be sure to check the left and right front sub sensors, even if the airbag was not inflated. If any damage to the sensor or any deformation of the sensor mount is found, replace with a new genuine part.



- When painting or performing sheet metal work on the front part of vehicle body, including the front wheel apron, front fender and front side frame, take utmost care not to apply dryer heat, painting mist, or the flame of the welding burner directly to the front sub sensors and wire harness of the airbag system.



1. FRONT SUB SENSOR HARNESS

- 1) Turn ignition switch off.
- 2) Disconnect ground cable from battery and wait for at least 20 seconds before starting work.
- 3) Remove lower cover. <Ref. to 5-4 [W1A0].>