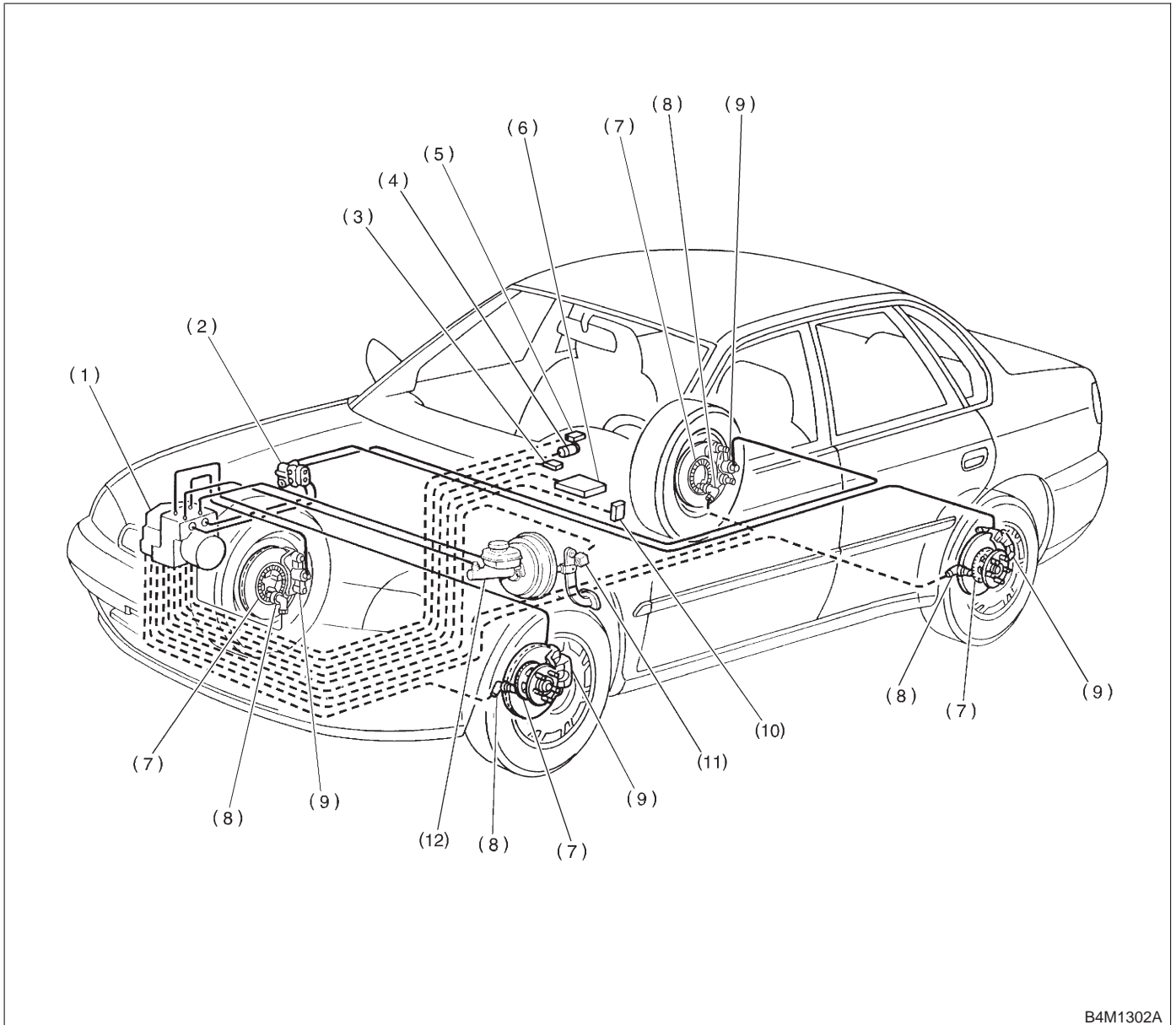


3. Electrical Components Location



B4M1302A

- |   |   |                                  |
|---|---|----------------------------------|
| (1) ABS control module and hydraulic control unit (ABSCM&H/U) | (5) Data link connector (for Subaru select monitor) | (8) ABS sensor                   |
| (2) Proportioning valve                                       | (6) Transmission control module (only AT vehicle)   | (9) Wheel cylinder               |
| (3) Diagnosis connector                                       | (7) Tone wheel                                      | (10) G sensor (only AWD vehicle) |
| (4) ABS warning light   |   | (11) Brake switch                |
|   |   | (12) Master cylinder             |

# BRAKES

[T300] 4-4

## 3. Electrical Components Location

