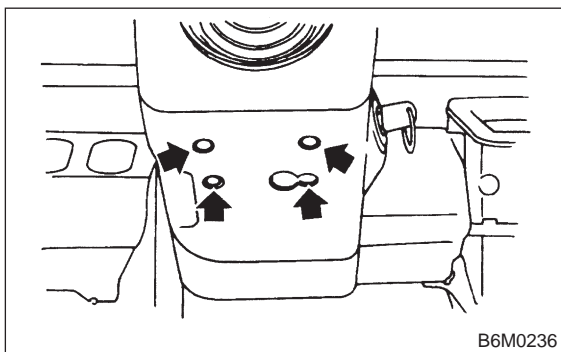


3. Ignition Switch

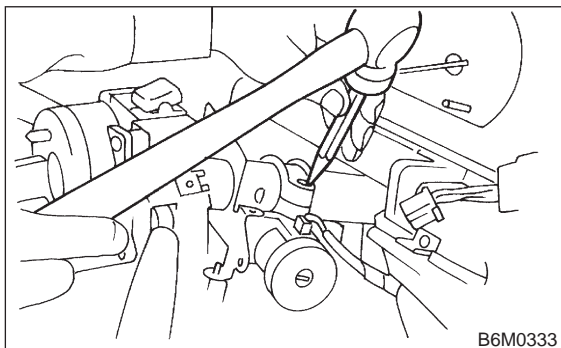
A: REMOVAL AND INSTALLATION

1. IGNITION SWITCH

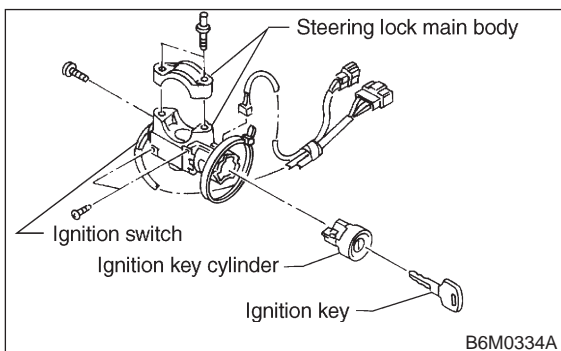
1) Remove screws, separate upper column cover and lower column cover.



- 2) Remove instrument panel lower cover.
- 3) Disconnect ignition switch connector from body harness.
- 4) Using a drift and hammer, hit the torn bolt head to loosen and remove the ignition switch.



5) When installing, tighten the connecting bolt until its head twists off.



B: INSPECTION

1. IGNITION SWITCH (ON-CAR)

- 1) Remove instrument panel lower cover.
- 2) Remove lower column cover.

3) Unfasten holddown clip which secures harness, and disconnect connector of ignition switch from body harness.

4) Turn ignition key to each position and check continuity between terminals of ignition switch connector.

Terminal Position \	a-1	a-2	a-5	a-4
LOCK				
ACC	○	○		
ON	○	○	○	
START	○		○	○

B6M0830A