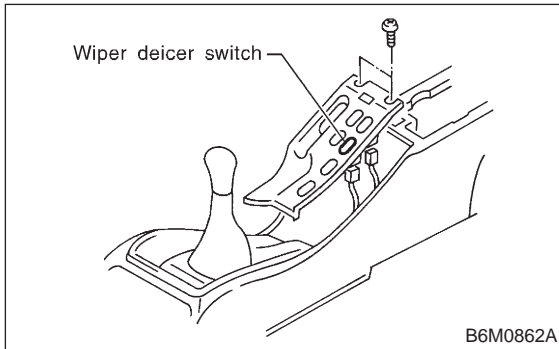


25. Wiper Deicer

A: REMOVAL AND INSTALLATION

1. WIPER DEICER SWITCH

- 1) Detach console cover while disconnecting connector.
- 2) Remove wiper deicer switch from console cover.

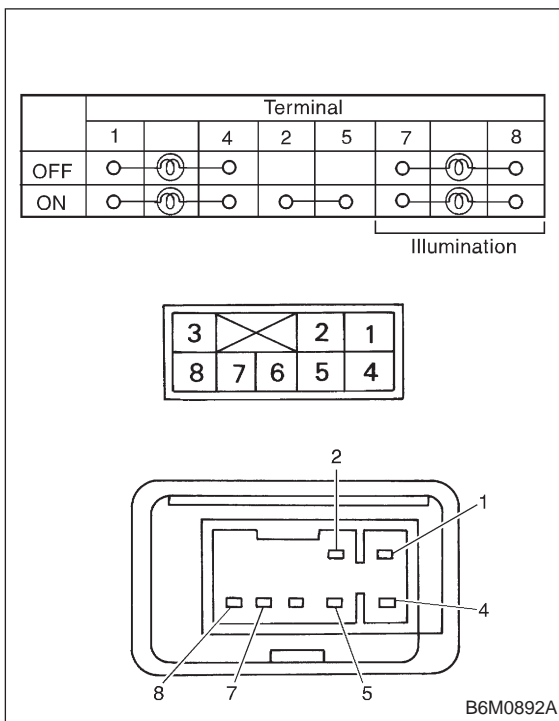


- 3) Installation is in the rverse order of removal.

B: INSPECTION

1. WIPER DEICER SWITCH

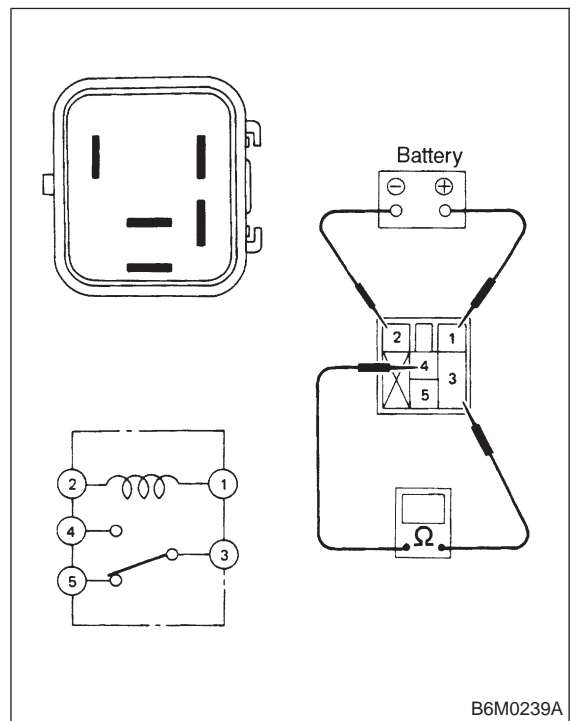
Set switch to each position and check continuity between terminals.



2. WIPER DEICER RELAY

Check continuity between terminals as indicated in table below, when connecting the battery to terminal No. 1 and No. 2.

When current flows.	Between terminals No. 3 and No. 4	Continuity exists.
When current does not flow.	Between terminals No. 3 and No. 4	Continuity does not exist.
	Between terminals No. 1 and No. 2	Continuity exists.



MEMO: