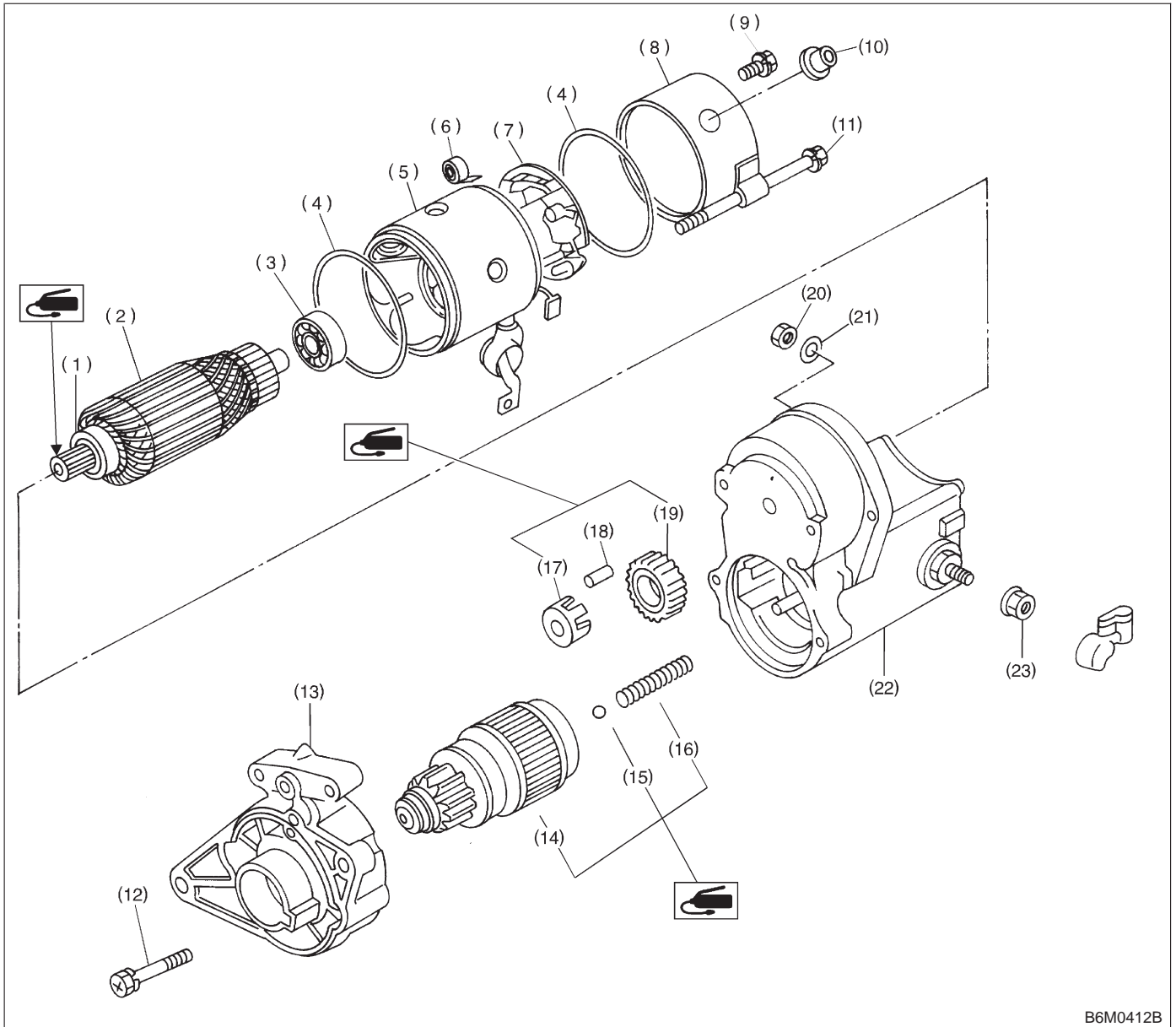


1. Starter

A: MT VEHICLES

1. MODEL: TN128000-8311



B6M0412B

- (1) Front ball bearing
- (2) Armature
- (3) Rear ball bearing
- (4) O-ring
- (5) Yoke
- (6) Brush spring
- (7) Brush holder
- (8) End frame

- (9) Screw & washer
- (10) Cover
- (11) Through bolt
- (12) Screw & washer
- (13) Starter housing
- (14) Overrunning clutch
- (15) Steel ball
- (16) Spring

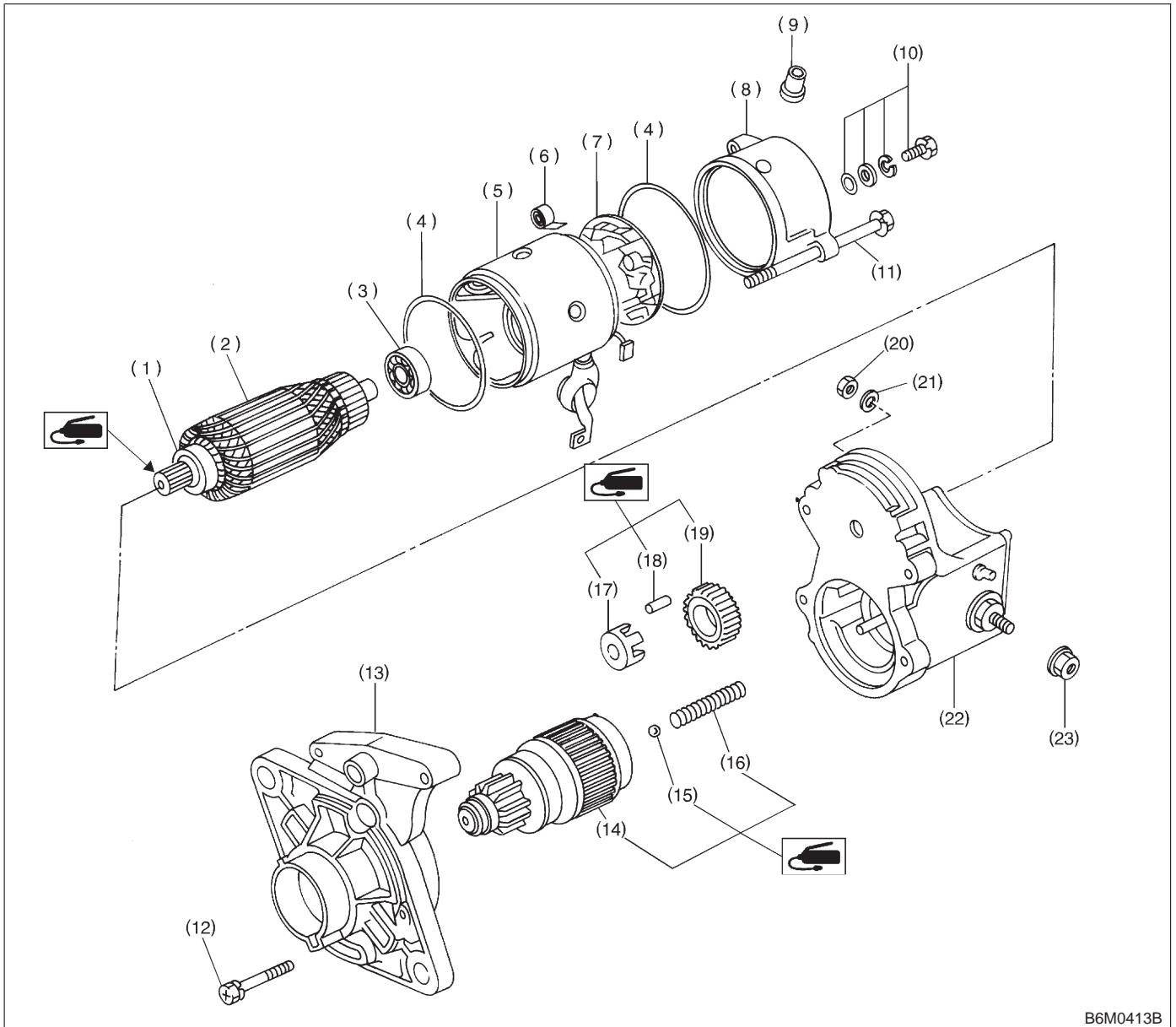
- (17) Retainer
- (18) Roller
- (19) Idle gear
- (20) Nut
- (21) Spring washer
- (22) Magnet switch
- (23) Nut

COMPONENT PARTS

[C1B1] 6-1
1. Starter

B: AT VEHICLES

1. MODEL: TN128000-8321



B6M0413B

- | | | |
|------------------------|-------------------------|--------------------|
| (1) Front ball bearing | (9) Cover | (17) Retainer |
| (2) Armature | (10) Screw & washer | (18) Roller |
| (3) Rear ball bearing | (11) Through bolt | (19) Idle gear |
| (4) O-ring | (12) Screw & washer | (20) Nut |
| (5) Yoke | (13) Starter housing | (21) Spring washer |
| (6) Brush spring | (14) Overrunning clutch | (22) Magnet switch |
| (7) Brush holder | (15) Steel ball | (23) Nut |
| (8) End frame | (16) Spring | |