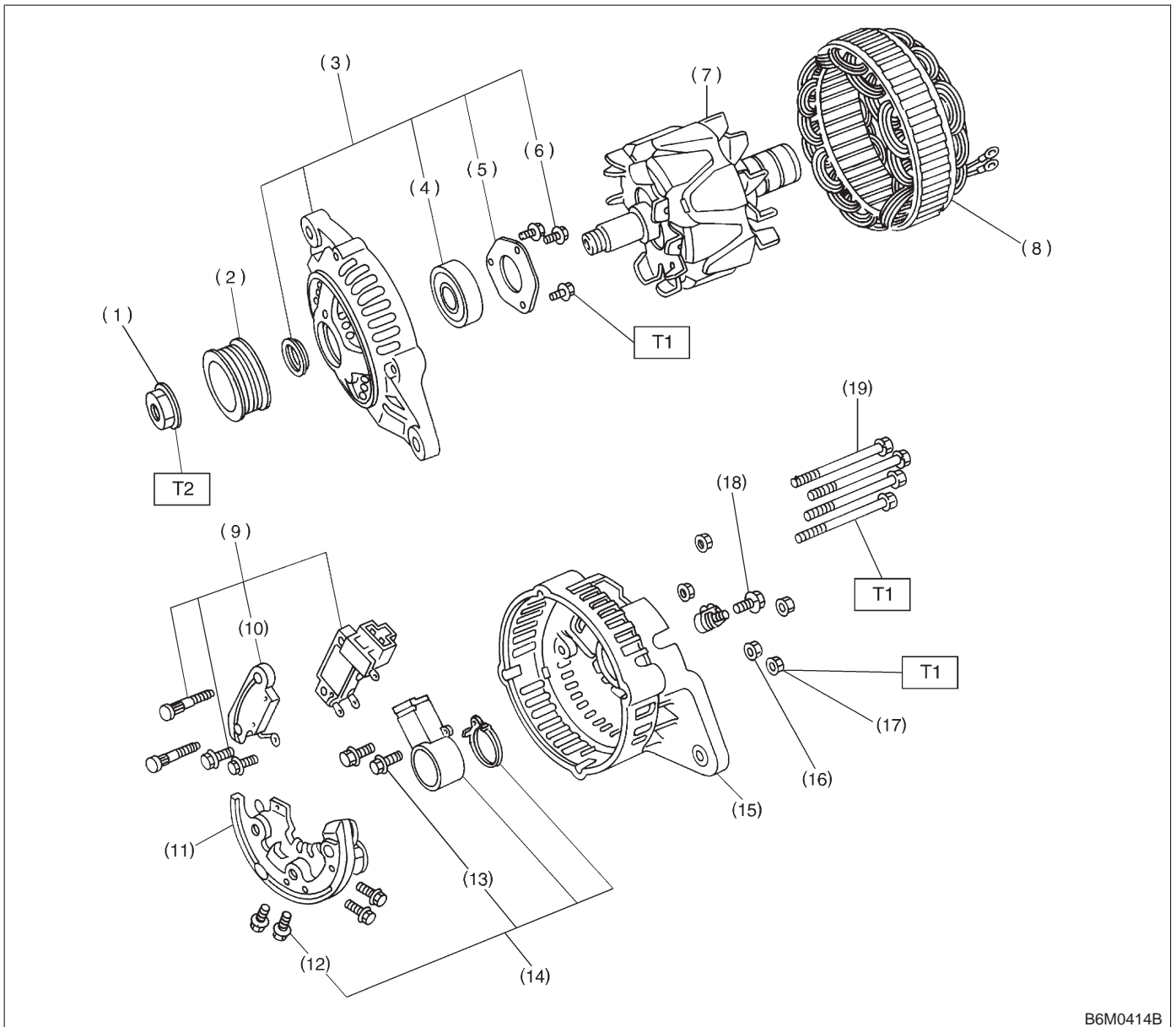


2. Generator



B6M0414B

- |                       |                        |
|-----------------------|------------------------|
| (1) Pulley nut        | (10) Condenser         |
| (2) Pulley            | (11) Diode ASSY        |
| (3) Front cover ASSY  | (12) Bolt              |
| (4) Ball bearing      | (13) Bolt              |
| (5) Bearing retainer  | (14) Brush holder ASSY |
| (6) Screw             | (15) Rear cover        |
| (7) Rotor             | (16) BAT. terminal     |
| (8) Stator coil       | (17) Nut               |
| (9) IC regulator ASSY | (18) Bolt              |

- (19) Through bolt

**Tightening torque: N-m (kg-m, ft-lb)**  
**T1: 3.1 — 4.4 (0.32 — 0.45, 2.3 — 3.3)**  
**T2: 63.7 — 83.4 (6.5 — 8.5, 47.0 — 61.5)**